

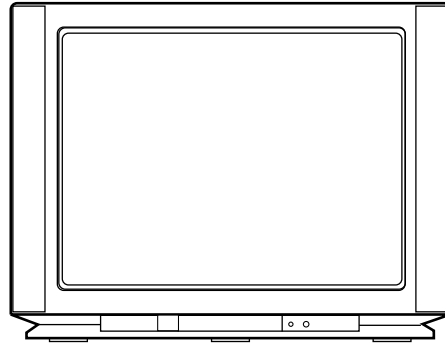
Service Guide

Color Television

CHASSIS : CN-207a

Model : DTQ-25G4FS

DTQ-29G4FS



■ SPECIFICATIONS

ITEM	MODEL	
	DTH-25G4FS	DTH-29G4FS
TV STANDARD	NTST-M	
POWER INPUT	120V / 220V 50/60HZ	
POWER CONSUMPTION	120W	135W
TUNING SYSTEM	F.S.REMOCON	
TUNING RANGES	VHF VHF(L) : CH 2 ~ 6 (H) : CH 7 ~ 13 UHF CH 14 ~ CH 69 CATV CH 1 ~ CH 125	
SOUND OUTPUT	6.5W + 6.5W (R+L)	
SPEAKER	8 10W + 8 10W (R+L)	
ANTENNA INPUT IMPEDANCE	75 ohm	
AUXILIARY INPUT TERMINAL	Front : Video, Audio, R/L, 1EA Rear : Video, Audio, R/L, 1EA	
INTERMEDIATE FREQUENCIES	PIF : 45.75 MHZ SIF : 41.25 MHZ COLOR SUB : 3.579545 MHZ	
REMOTE CONTROL	R-35H13	
SPECIAL FUNCTIONS	1) ICON MENU TYPE 2) 3-Language OSD 3) WITH CAPTION 4) CH LABEL 5) WITH CAPTION 6) CH LABEL, AUTO DEMO	

✓ Caution

: In this Manual, some parts can be changed for improving, their performance without notice in the parts list. So, if you need the latest parts information, please refer to PPL(Parts Price List) in Service Information Center (<http://svc.dwe.co.kr>).

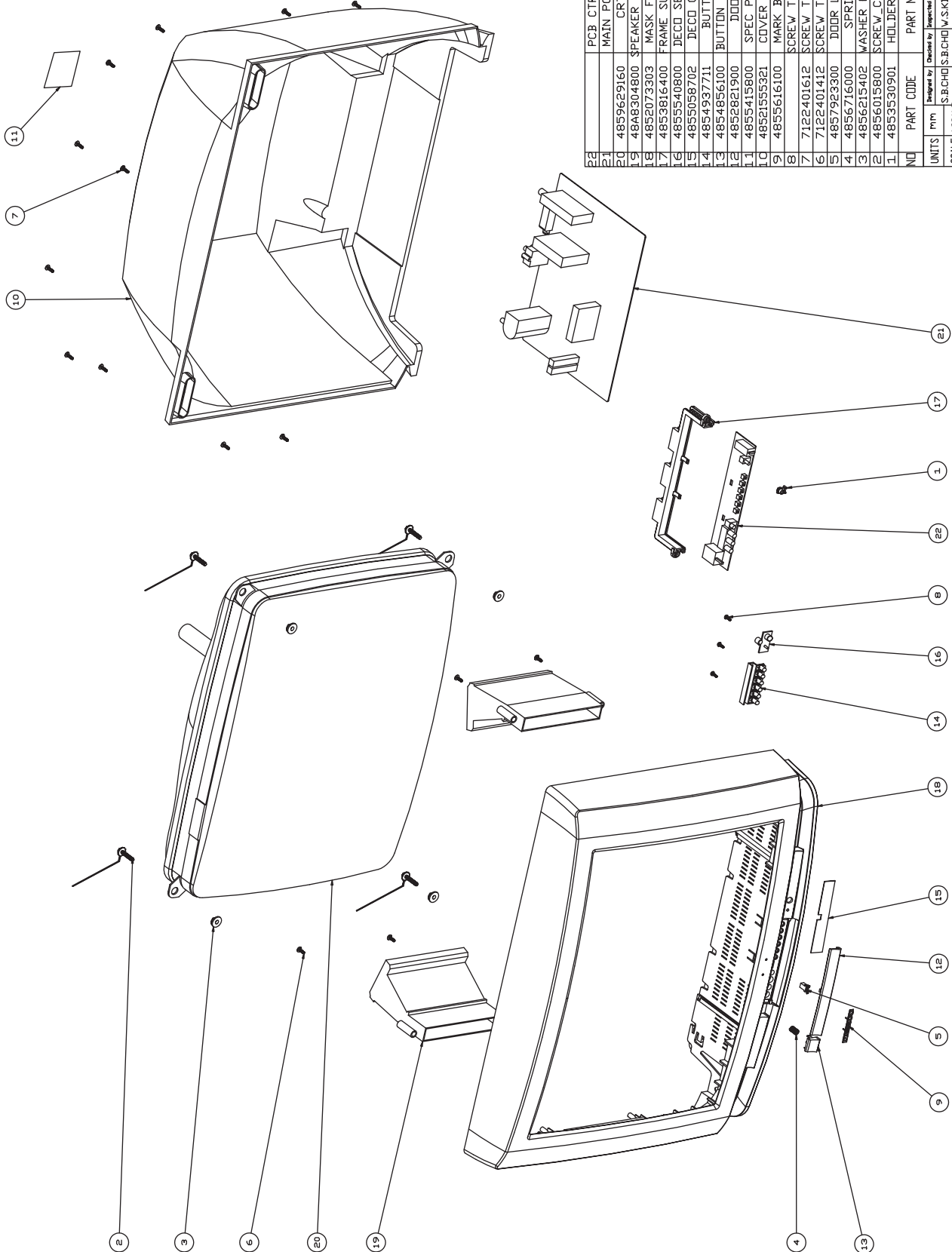
DAEWOO ELECTRONICS CO., LTD.

<http://svc.dwe.co.kr>

Oct. 2000

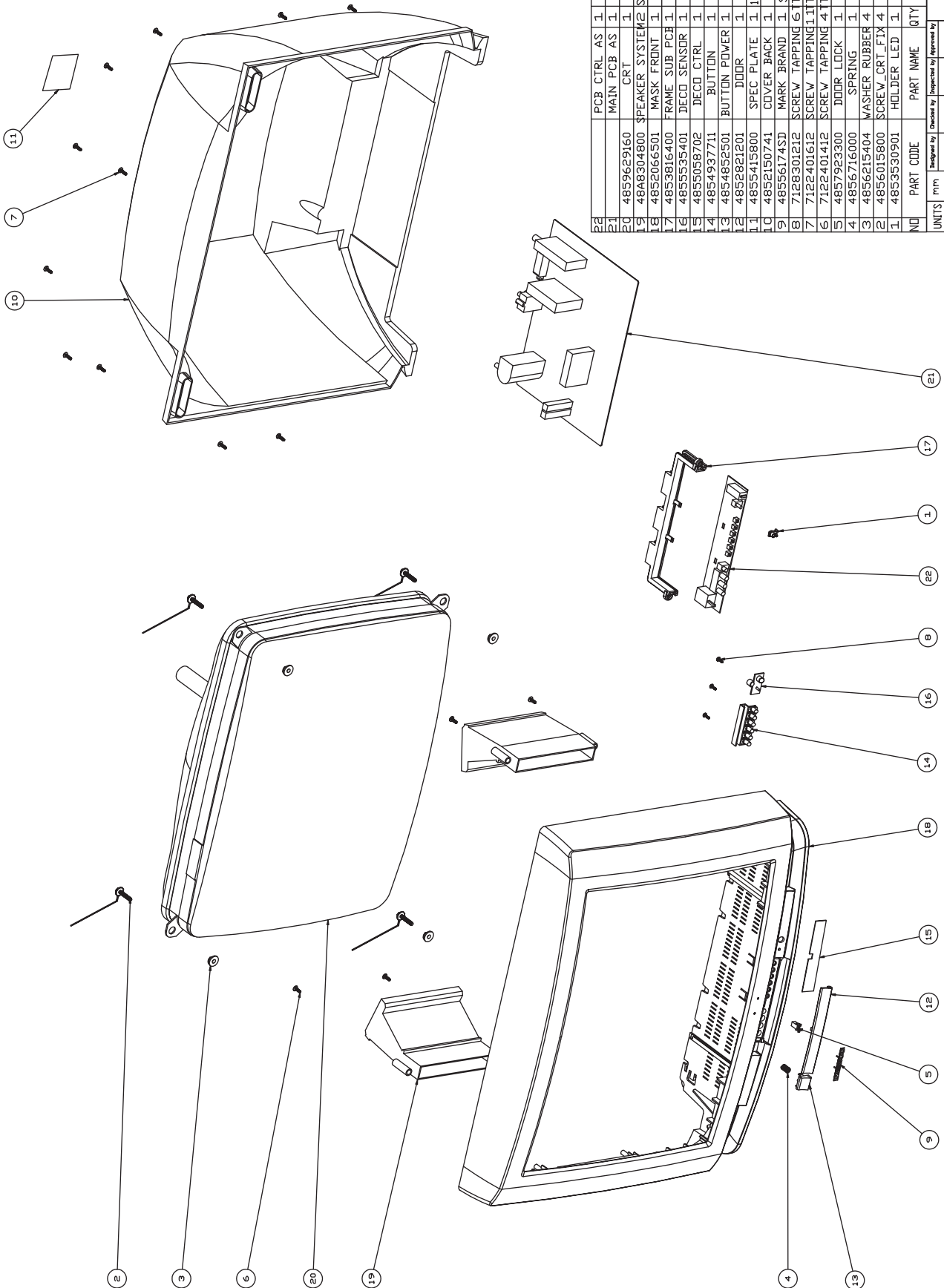
DAEWOO

DTQ-25G4FS



NO	PART CODE	PART NAME	QTY	MATERIAL	REMARKS	
21	4859629160	PCB CTRL AS	1	CN-207A		
20	48A8304800	MAIN PCB AS	1			
19	4852073303	CRT	1			
18	48A8304800	SPEAKER SYSTEM#2	1	SS-78128F04 10W B&C		
17	4853816400	MASK FRONT	1	HIPS BK		
16	4855040800	FRAME SUB PCB	1	FR HIPS BK		
15	4855058702	DECO SENSOR	1	PMMA CL		
14	4854937711	DECO CTRL	1	PVC 10,25		
13	4854856100	BUTTON	1	ABS BK		
12	4852821900	BUTTON POWER	1	ABS BK		
11	4855415800	DOOR	1	ABS BK		
10	4852155321	SPEC PLATE	1	150ART P/E FIL(MC/TV)		
9	4855616100	MARK BRAND	1	HIPS BK		
8	7122401612	MARK TAPPING	1	A1050P-H24		
7	7122401412	SCREW TAPPING	7	T2 WAS 3X12 MFZN BK		
6	4857923300	SCREW TAPPING	2	TR5 4X16 MFZN BK		
5	4856716000	DOOR LOCK	1	LA701(K1FCD)		
4	4856215402	SPRING	1	SWPA		
3	4856215402	WASHER RUBBER	4	CR 2.0		
2	4856015800	SCREW CRT_FIX	4	L-27		
1	4853530901	HOLDER LED	1	P-P		
NO	PART CODE	PART NAME	QTY	MATERIAL	REMARKS	
UNITS	Part	Checked by	Inspected by	Approved by	PART NAME	
SCALE	1:SCALE	S.BCHD	S.BCHD	V.S.KIM	DEVELOPMENT DWG	
Doewoo Electronics Co., Ltd. Mechanical Design Team, TV Research Center					MODEL	DTQ-25G4FS
					REFERENCE	CN-207A

DTQ-29G4FS



PCB	PCB CTRL AS	QTY	MATERIAL	REMARKS
21	MAIN PCB AS	1	CN-207A	
20	CRT	1		
19	SPEAKER SYSTEM	2	SS-78128F04 10W BQ	
18	MASK FRONT	1	HIPS BK	
17	FRAME SUB PCB	1	FR HIPS BK	
16	DECO SENSOR	1	PMMA CL	
15	DECO CTRL	1	PVC 10,25	
14	BUTTON	1	ABS BK	
13	BUTTON POWER	1	ABS BK	
12	DOOR	1	ABS BK	
11	SPEC PLATE	1	150ART P/E FIL(MC/TV)	
10	COVER BACK	1	HIPS BK	
9	MARK BRAND	1	SILVER DIA-CUTTING	
8	SCREW TAPPING	1	3X12 MFZN BK	
7	SCREW TAPPING	1	4X16 MFZN BK	
6	SCREW TAPPING	4	4X14 MFZN BK	
5	DOOR LOCK	1	LA701CK1FC0	
4	SPRING	1	SWPA	
3	WASHER RUBBER	4	CR 4.0	
2	SCREW CRT_FIX	4	SWRM+S5 L=35	
1	HOLDER LED	1	P.P	
NO	PART CODE	QTY	MATERIAL	REMARKS

UNITS	SCALE	DESIGNED BY	CHECKED BY	APPROVED BY	PART NAME
1	1:1	S.B.CHOI	S.B.CHOI	W.S.KIM	DTQ-29G4FS
					DEVELOPMENT DW
					MODEL
					REFERENCE
					CN-207A

The Different Part List

✓ **Caution:** In this Service Manual, some parts can be changed for improving, their performance without notice in the parts list. So, if you need the latest parts information, please refer to PPL(Parts Price List) in Service information Center(<http://svc.dwe.co.kr>)

part_cd	part_nm	part_desc	loc	DTQ-25G4FS	DTQ-29G4FS
CEXF1H228V	C ELECTRO	50V RSS 0.22MF (5X11) TP	C306	1	0
CEXF1H478V	C ELECTRO	50V RSS 0.47MF (5X11) TP	C306	0	1
CMYH3C822J	C MYLAR	1.6KV BUP 8200PF J	C404	0	1
CMYH3D752J	C MYLAR	2KV BUP 7500PF J	C404	1	0
CMYH3C692J	C MYLAR	1.6KV BUP 6900PF J	C405	1	0
CMYH3C912J	C MYLAR	1.6KV BUP 9100PF J	C405	0	1
CMXE2J273J	C MYLAR	630V PU 0.027MF J (TP)	C406	1	0
CMXE2J333J	C MYLAR	630V PU 0.033MF J (TP)	C406	0	1
CMXE2D683J	C MYLAR	200V PU 0.068MF J (TP)	C419	0	1
CMYE2D394J	C MYLAR	200V PU 0.39MF J	C420	1	0
CMYE2D514J	C MYLAR	200V PU 0.51MF J	C420	0	1
CEXF2C101V	C ELECTRO	160V RSS 100MF (16X25) TP	C826	1	0
HCBH224KCA	C CHIP CERA	25V X7R 0.22MF K 2012	CC723	0	1
HCBK223KCA	C CHIP CERA	50V X7R 0.022MF K 2012	CC723	1	0
DRGP15J---	DIODE	RGP15J	D824	1	0
4856310600	EYE LET	BSR T0.2 (R2.3)	E034	0	1
4856310600	EYE LET	BSR T0.2 (R2.3)	E035	0	1
85801065GY	WIRE COPPER	AWG22 1/0.65 TIN COATING	J019	1	0
85801065GY	WIRE COPPER	AWG22 1/0.65 TIN COATING	J020	1	0
85801065GY	WIRE COPPER	AWG22 1/0.65 TIN COATING	J200	0	1
85801065GY	WIRE COPPER	AWG22 1/0.65 TIN COATING	J212	0	1
58H0000025	COIL H-LINEARITY	TRL-330	L401	1	0
58H1600022	COIL H-LINEARITY	TRL-2093	L401	0	1
58W0000018	COIL WIDTH	TLN-2092	L402	0	1
4852066501	MASK FRONT	HIPS BK	M201	0	1
4852073303	MASK FRONT	HIPS BK	M201	1	0
4856015800	SCREW CRT FIX	L=27	M201A	4	0
4856015820	SCREW CRT FIX	SWRM+SK5 L=35	M201A	0	4
4856215402	WASHER RUBBER	CR T2.0	M201B	4	0
4856215404	WASHER RUBBER	CR T4.0	M201B	0	4
4852150741	COVER BACK	HIPS BK	M211	0	1
4852155321	COVER BACK	HIPS BK	M211	1	0
7172401612	SCREW TAPPTITE	TT2 TRS 4X16 MFZN BK	M211A	8	0
7172401612	SCREW TAPPTITE	TT2 TRS 4X16 MFZN BK	M211A	0	10
4852821201	DOOR	ABS BK	M281	0	1
4852821900	DOOR	ABS BK	M281	1	0
4853526600	HOLDER CORD	NYLON6(DACB-183)	M351	1	0
7172401612	SCREW TAPPTITE	TT2 TRS 4X16 MFZN BK	M351A	1	0
7178301212	SCREW TAPPTITE	TT2 WAS 3X12 MFZN BK	M381A	2	0
4854852501	BUTTON POWER	ABS BK	M481	0	1
4854856100	BUTTON POWER	ABS BK	M481	1	0
4855535401	DECO SENSOR	PMMA CL	M551	0	1
4855540800	DECO SENSOR	PMMA	M551	1	0
4855616100	MARK BRAND	A1050P-H24	M561	1	0
48556174SD	MARK BRAND	SILVER DIA-CUTTING	M561	0	1
4856812400	BAND	18MM X 3M	M681	1	0
4856812400	BAND	18MM X 3M	M681	0	1
4857820001	CLOTH BLACK	CLOTH 320X12X0.5	M781	0	2
4857821103	CLOTH BLACK	FELT 180X10X1.5	M781	2	0
4858053400	BOX CARTON	DW-4 A TYPE	M801	0	1
4858055500	BOX CARTON	DW-2	M801	1	0
4858185900	PAD	EPS 29G4	M811	0	1
4858192500	PAD	EPS 29G4	M811	1	0
4858215100	BAG P.E	PE FOAM 10.5x1430x1270	M821	1	0
4858215600	BAG P.E	PE FOAM 10.5x1600x1270	M821	0	1
RS022220JS	R M-OXIDE FILM	2W 22 OHM J SMALL	R314	1	0
RS022620JS	R M-OXIDE FILM	2W 62 OHM J SMALL	R314	0	1
RF01Z159J-	R FUSIBLE	1W 1.5 OHM J (TAPPING)	R409	1	0
RF01Z399J-	R FUSIBLE	1W 3.9 OHM J (TAPPING)	R409	0	1
RF01Z518K-	R FUSIBLE	1W 0.51 OHM K (TAPPING)	R817	0	1
RF01Z688K-	R FUSIBLE	1W 0.68 OHM K (TAPPING)	R817	1	0
RF01Z518K-	R FUSIBLE	1W 0.51 OHM K (TAPPING)	R818	0	1
RF01Z688K-	R FUSIBLE	1W 0.68 OHM K (TAPPING)	R818	1	0
HRFT512JCA	R CHIP	1/10 5.1K OHM J 2012	RC301	1	0
HRFT682JCA	R CHIP	1/10 6.8K OHM J 2012	RC301	0	1

part_cd	part_nm	part_desc	loc	DTQ-25G4FS	DTQ-29G4FS
HRFT104JCA	R CHIP	1/10 100K OHM J 2012	RC304	1	0
HRFT913JCA	R CHIP	1/10 91K OHM J 2012	RC304	0	1
HRFT183JCA	R CHIP	1/10 18K OHM J 2012	RC305	1	0
HRFT273JCA	R CHIP	1/10 27K OHM J 2012	RC305	0	1
HRFT123JCA	R CHIP	1/10 12K OHM J 2012	RC307	0	1
HRFT163JCA	R CHIP	1/10 16K OHM J 2012	RC307	1	0
HRFT183JCA	R CHIP	1/10 18K OHM J 2012	RC308	0	1
HRFT203JCA	R CHIP	1/10 20K OHM J 2012	RC308	1	0
HRFT513JCA	R CHIP	1/10 51K OHM J 2012	RC309	1	0
HRFT623JCA	R CHIP	1/10 62K OHM J 2012	RC309	0	1
HRFT392JCA	R CHIP	1/10 3.9K OHM J 2012	RC420	1	0
HRFT562JCA	R CHIP	1/10 5.6K OHM J 2012	RC420	0	1
HRFT000-CA	R CHIP	1/10 0 OHM 2012	RC426	1	0
HRFT479JCA	R CHIP	1/10 4.7 OHM J 2012	RC426	0	1
HRFT273JCA	R CHIP	1/10 27K OHM J 2012	RC428	1	0
HRFT393JCA	R CHIP	1/10 39K OHM J 2012	RC428	0	1
HRFT561JCA	R CHIP	1/10 560 OHM J 2012	RC570	1	0
HRFT911JCA	R CHIP	1/10 910 OHM J 2012	RC570	0	1
HRFT112JCA	R CHIP	1/10 1.1K OHM J 2012	RC571	0	1
HRFT182JCA	R CHIP	1/10 1.8K OHM J 2012	RC571	1	0
HRFT102JCA	R CHIP	1/10 1K OHM J 2012	RC725	0	1
HRFT103JCA	R CHIP	1/10 10K OHM J 2012	RC725	1	0
HRFT334JCA	R CHIP	1/10 330K OHM J 2012	RC820	1	0
HRFT434JCA	R CHIP	1/10 430K OHM J 2012	RC820	0	1
HRFT184JCA	R CHIP	1/10 180K OHM J 2012	RC822	1	0
HRFT684JCA	R CHIP	1/10 680K OHM J 2012	RC822	0	1
HRFT161JCA	R CHIP	1/10 160 OHM J 2012	RC905	1	0
HRFT181JCA	R CHIP	1/10 180 OHM J 2012	RC905	0	1
HRFT181JCA	R CHIP	1/10 180 OHM J 2012	RC911	0	1
HRFT201JCA	R CHIP	1/10 200 OHM J 2012	RC911	1	0
HRFT161JCA	R CHIP	1/10 160 OHM J 2012	RC917	1	0
HRFT181JCA	R CHIP	1/10 180 OHM J 2012	RC917	0	1
7172401412	SCREW TAPPTITE	TT2 TRS 4X14 MFZN BK	SP01A	0	4
7172401612	SCREW TAPPTITE	TT2 TRS 4X16 MFZN BK	SP01A	4	0
4859629060	CRT	A59KPR84X01(D) P38	V901	1	0
4859629160	CRT	A68KTB259X001 P38	V901	0	1
48B3235H13	TRANSMITTER REMOCON	R-35H13	ZZ100	1	0
48B3235H13	TRANSMITTER REMOCON	R-35H13	ZZ100	0	1
PTACPWJ663	ACCESSORY AS	DTQ-29G3FS	ZZ110	1	0
PTACPWJ663	ACCESSORY AS	DTQ-29G3FS	ZZ110	0	1
PTBCSHJ752	COVER BACK AS	DTQ-29G4FS	ZZ120	0	1
PTBCSHJ793	COVER BACK AS	DTQ-25G4FS	ZZ120	1	0
PTPKCPJ752	PACKING AS	DTQ-29G4FS	ZZ130	0	1
PTPKCPJ793	PACKING AS	DTQ-25G4FS	ZZ130	1	0
48519A4010	CRT GROUND NET	2501H-1015-2P	ZZ131	1	0
48519A4210	CRT GROUND NET	2901H-1015-2P	ZZ131	0	1
58G0000148	COIL DEGAUSSING	DC-25SF	ZZ132	1	0
58G0000149	COIL DEGAUSSING	DC-29SF	ZZ132	0	1
PTCACAJ752	CABINET AS	DTQ-29G4FS	ZZ140	0	1
PTCACAJ793	CABINET AS	DTQ-25G4FS	ZZ140	1	0
PTFMSJJ752	MASK FRONT AS	DTQ-29G4FS	ZZ200	0	1
PTFMSJJ793	MASK FRONT AS	DTQ-25G4FS	ZZ200	1	0
PTMPJQJ752	PCB MAIN (RHU) AS	DTQ-29G4FS	ZZ200	0	1
PTMPJQJ793	PCB MAIN (RHU) AS	DTQ-25G4FS	ZZ200	1	0
PTMPJ2J752	PCB CHIP MOUNT B AS	DTQ-29G4FS	ZZ200	0	1
PTMPJ2J793	PCB CHIP MOUNT B AS	DTQ-25G4FS	ZZ200	1	0
PTMPJAJ752	PCB MAIN AXIAL AS	DTQ-29G4FS	ZZ200	0	1
PTMPJAJ793	PCB MAIN AXIAL AS	DTQ-25G4FS	ZZ200	1	0
PTMPJB752	PCB MAIN M-10 AS	DTQ-29G4FS	ZZ200	0	1
PTMPJB793	PCB MAIN M-10 AS	DTQ-25G4FS	ZZ200	1	0
PTMPJR752	PCB MAIN RADIAL AS	DTQ-29G4FS	ZZ200	0	1
PTMPJR793	PCB MAIN RADIAL AS	DTQ-25G4FS	ZZ200	1	0
PTMPMSJ752	PCB MAIN MANUAL AS	DTQ-29G4FS	ZZ290	0	1
PTMPMSJ793	PCB MAIN MANUAL AS	DTQ-25G4FS	ZZ290	1	0

1999-08-16.

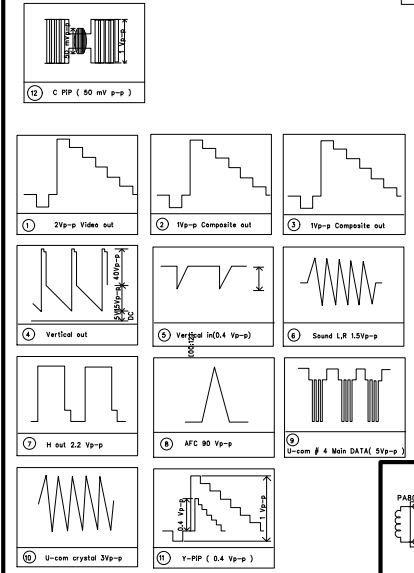
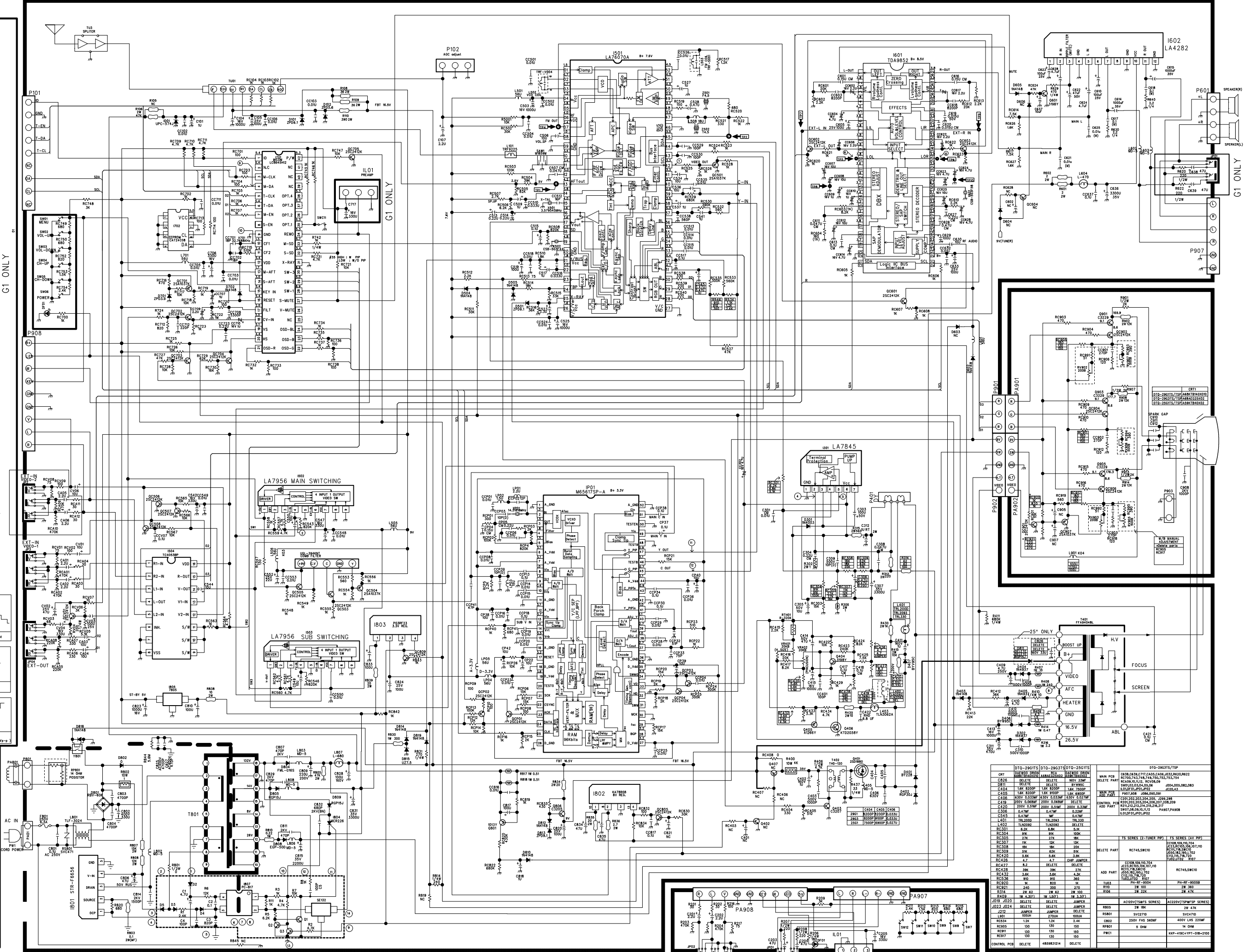
CN-207A DTQ-29G4FS DTQ-25G4FS

1. CAUTION
SYMBOL MARKED PARTS IN THE SCHEMATIC DIAGRAM DESIGNATE THE COMPONENTS WHICH HAVE SPECIAL CHARACTERISTICS IMPORTANT FOR SAFETY AND SHOULD BE REPLACED ONLY WITH TYPES IDENTICAL TO THOSE IN ORIGINAL CIRCUIT OR SPECIFIED IN THE PARTS LIST. DO NOT DEGRADE THE SAFETY OF THE RECEIVER THROUGH IMPROPER SERVICING.

WARNING :
BEFORE SERVICING THIS CHASSIS, READ THE "X-RAY RADIATION PRECAUTION", "SAFETY PRECAUTION" AND "PRODUCT SAFETY NOTICE" IN THE SERVICE MANUAL.

CAUTION TO THE SERVICE TECHNICIANS :
BEFORE RETURNING THE RECEIVER TO THE CUSTOMER, APPROPRIATE LEAKAGE CURRENT OR RESISTANCE MEASUREMENT SHOULD BE CONDUCTED TO DETERMINE THAT EXPOSED PARTS ARE PROPERLY INSULATED FROM THE SUPPLY CIRCUIT.

- NOTE :**
1. RESISTANCE IS SHOWN IN OHMS. K=1,000 W=10,000,000
 2. UNLESS OTHERWISE NOTED IN SCHEMATIC ALL CAPACITOR VALUES LESS THAN 1 ARE EXPRESSED IN PF AND THE VALUES MORE THAN 1 IN MF.
 3. VOLTAGES READ WITH "V.T.V.M" FROM POINT INDICATE TO CHASSIS GROUND USING A COLOR BAR SIGNAL WITH ALL CONTROLS AT NORMAL LINE VOLTAGE 120 VOLTS AC. VOLTAGE READINGS SHOWN ARE NORMAL VALUES AND MAY VARY $\pm 20\%$ EXCEPT HV.
 4. IN CASE OF 25" RECEIVER THE COMPONENT WITH THE MARK # SHOULD BE USED ONLY.
 5. THE CIRCUIT DIAGRAM IS A STANDARD ONE. CIRCUITS PRINTED MAY BE SUBJECT TO CHANGE FOR PRODUCT IMPROVEMENT WITHOUT PRIOR NOTICE.



MICROWAVE SWITCHING FUNCTION

PN NO	PN NAME	FUNCTION
1 (29PWS)	MAIN SW OUT	TV/VIDEO, VIDEO 1, LOW
2 (29VWS)	VIDEO SW OUT	VIDEO 1, HIGH, VIDEO 2, LOW
3 (30PWS)	SUBSWP/SW OUT	TV, HIGH, VIDEO, LOW

MICROWAVE PIN OPERATION

MODE	PRESET MODE	MAIN SW OUT #28	VIDEO SW OUT #29	SUB SW OUT#30
1	TV	HIGH	HIGH	HIGH
2	MAIN TV	HIGH	HIGH	LOW
3	MAIN TV	HIGH	LOW	LOW
4	MAIN TV	LOW	HIGH	HIGH
5	MAIN TV	LOW	LOW	LOW
6	MAIN TV	LOW	HIGH	LOW
7	MAIN TV	LOW	LOW	HIGH

CR1	DTQ-29G1TS	DTQ-29G3TS	DTQ-25G1TS	DTQ-29G1TS/FS
CR1	DELTE	DELTE	DELTE	DELTE
CR2	DELTE	DELTE	DELTE	DELTE
CR3	DELTE	DELTE	DELTE	DELTE
CR4	DELTE	DELTE	DELTE	DELTE
CR5	DELTE	DELTE	DELTE	DELTE
CR6	DELTE	DELTE	DELTE	DELTE
CR7	DELTE	DELTE	DELTE	DELTE
CR8	DELTE	DELTE	DELTE	DELTE
CR9	DELTE	DELTE	DELTE	DELTE
CR10	DELTE	DELTE	DELTE	DELTE
CR11	DELTE	DELTE	DELTE	DELTE
CR12	DELTE	DELTE	DELTE	DELTE
CR13	DELTE	DELTE	DELTE	DELTE
CR14	DELTE	DELTE	DELTE	DELTE
CR15	DELTE	DELTE	DELTE	DELTE
CR16	DELTE	DELTE	DELTE	DELTE
CR17	DELTE	DELTE	DELTE	DELTE
CR18	DELTE	DELTE	DELTE	DELTE
CR19	DELTE	DELTE	DELTE	DELTE
CR20	DELTE	DELTE	DELTE	DELTE
CR21	DELTE	DELTE	DELTE	DELTE
CR22	DELTE	DELTE	DELTE	DELTE
CR23	DELTE	DELTE	DELTE	DELTE
CR24	DELTE	DELTE	DELTE	DELTE
CR25	DELTE	DELTE	DELTE	DELTE
CR26	DELTE	DELTE	DELTE	DELTE
CR27	DELTE	DELTE	DELTE	DELTE
CR28	DELTE	DELTE	DELTE	DELTE
CR29	DELTE	DELTE	DELTE	DELTE
CR30	DELTE	DELTE	DELTE	DELTE
CR31	DELTE	DELTE	DELTE	DELTE
CR32	DELTE	DELTE	DELTE	DELTE
CR33	DELTE	DELTE	DELTE	DELTE
CR34	DELTE	DELTE	DELTE	DELTE
CR35	DELTE	DELTE	DELTE	DELTE
CR36	DELTE	DELTE	DELTE	DELTE
CR37	DELTE	DELTE	DELTE	DELTE
CR38	DELTE	DELTE	DELTE	DELTE
CR39	DELTE	DELTE	DELTE	DELTE
CR40	DELTE	DELTE	DELTE	DELTE
CR41	DELTE	DELTE	DELTE	DELTE
CR42	DELTE	DELTE	DELTE	DELTE
CR43	DELTE	DELTE	DELTE	DELTE
CR44	DELTE	DELTE	DELTE	DELTE
CR45	DELTE	DELTE	DELTE	DELTE
CR46	DELTE	DELTE	DELTE	DELTE
CR47	DELTE	DELTE	DELTE	DELTE
CR48	DELTE	DELTE	DELTE	DELTE
CR49	DELTE	DELTE	DELTE	DELTE
CR50	DELTE	DELTE	DELTE	DELTE
CR51	DELTE	DELTE	DELTE	DELTE
CR52	DELTE	DELTE	DELTE	DELTE
CR53	DELTE	DELTE	DELTE	DELTE
CR54	DELTE	DELTE	DELTE	DELTE
CR55	DELTE	DELTE	DELTE	DELTE
CR56	DELTE	DELTE	DELTE	DELTE
CR57	DELTE	DELTE	DELTE	DELTE
CR58	DELTE	DELTE	DELTE	DELTE
CR59	DELTE	DELTE	DELTE	DELTE
CR60	DELTE	DELTE	DELTE	DELTE
CR61	DELTE	DELTE	DELTE	DELTE
CR62	DELTE	DELTE	DELTE	DELTE
CR63	DELTE	DELTE	DELTE	DELTE
CR64	DELTE	DELTE	DELTE	DELTE
CR65	DELTE	DELTE	DELTE	DELTE
CR66	DELTE	DELTE	DELTE	DELTE
CR67	DELTE	DELTE	DELTE	DELTE
CR68	DELTE	DELTE	DELTE	DELTE
CR69	DELTE	DELTE	DELTE	DELTE
CR70	DELTE	DELTE	DELTE	DELTE
CR71	DELTE	DELTE	DELTE	DELTE
CR72	DELTE	DELTE	DELTE	DELTE
CR73	DELTE	DELTE	DELTE	DELTE
CR74	DELTE	DELTE	DELTE	DELTE
CR75	DELTE	DELTE	DELTE	DELTE
CR76	DELTE	DELTE	DELTE	DELTE
CR77	DELTE	DELTE	DELTE	DELTE
CR78	DELTE	DELTE	DELTE	DELTE
CR79	DELTE	DELTE	DELTE	DELTE
CR80	DELTE	DELTE	DELTE	DELTE
CR81	DELTE	DELTE	DELTE	DELTE
CR82	DELTE	DELTE	DELTE	DELTE
CR83	DELTE	DELTE	DELTE	DELTE
CR84	DELTE	DELTE	DELTE	DELTE
CR85	DELTE	DELTE	DELTE	DELTE
CR86	DELTE	DELTE	DELTE	DELTE
CR87	DELTE	DELTE	DELTE	DELTE
CR88	DELTE	DELTE	DELTE	DELTE
CR89	DELTE	DELTE	DELTE	DELTE
CR90	DELTE	DELTE	DELTE	DELTE
CR91	DELTE	DELTE	DELTE	DELTE
CR92	DELTE	DELTE	DELTE	DELTE
CR93	DELTE	DELTE	DELTE	DELTE
CR94	DELTE	DELTE	DELTE	DELTE
CR95	DELTE	DELTE	DELTE	DELTE
CR96	DELTE	DELTE	DELTE	DELTE
CR97	DELTE	DELTE	DELTE	DELTE
CR98	DELTE	DELTE	DELTE	DELTE
CR99	DELTE	DELTE	DELTE	DELTE
CR100	DELTE	DELTE	DELTE	DELTE

Free Manuals Download Website

<http://myh66.com>

<http://usermanuals.us>

<http://www.somanuals.com>

<http://www.4manuals.cc>

<http://www.manual-lib.com>

<http://www.404manual.com>

<http://www.luxmanual.com>

<http://aubethermostatmanual.com>

Golf course search by state

<http://golfingnear.com>

Email search by domain

<http://emailbydomain.com>

Auto manuals search

<http://auto.somanuals.com>

TV manuals search

<http://tv.somanuals.com>