

Service Manual

(Revision - 1)

Color Television

Chassis : CN-200A

Additional Model : DTQ-26S2 FC/FS/FSP

DTQ-29S2 FC/FS/FSP

Please file and use this Revision-1 with the
CN-200I/A chassis basic service manual



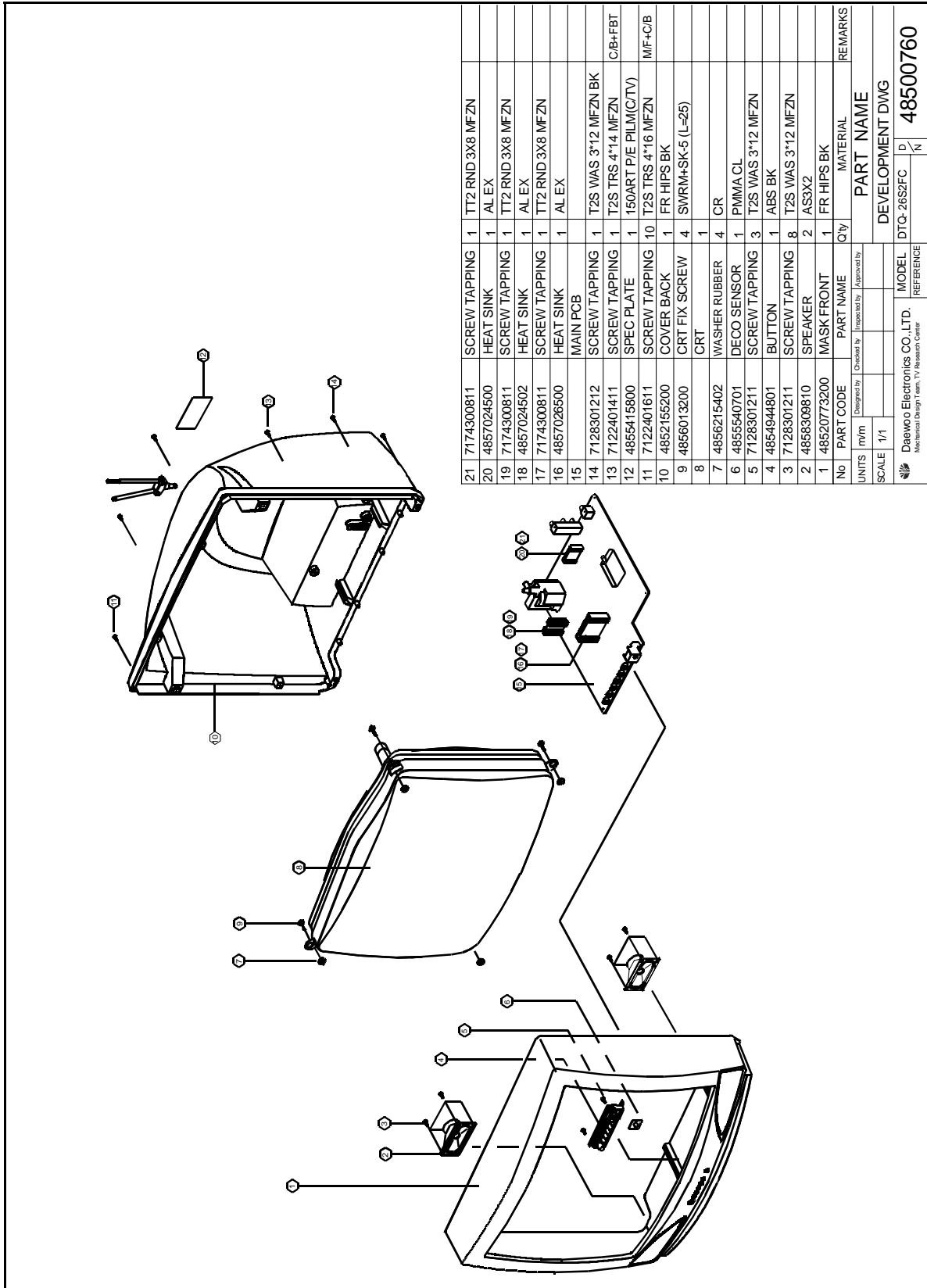
DAEWOO ELECTRONICS CO., LTD

[http : //svc.dwe.co.kr](http://svc.dwe.co.kr)

Sep. 1999

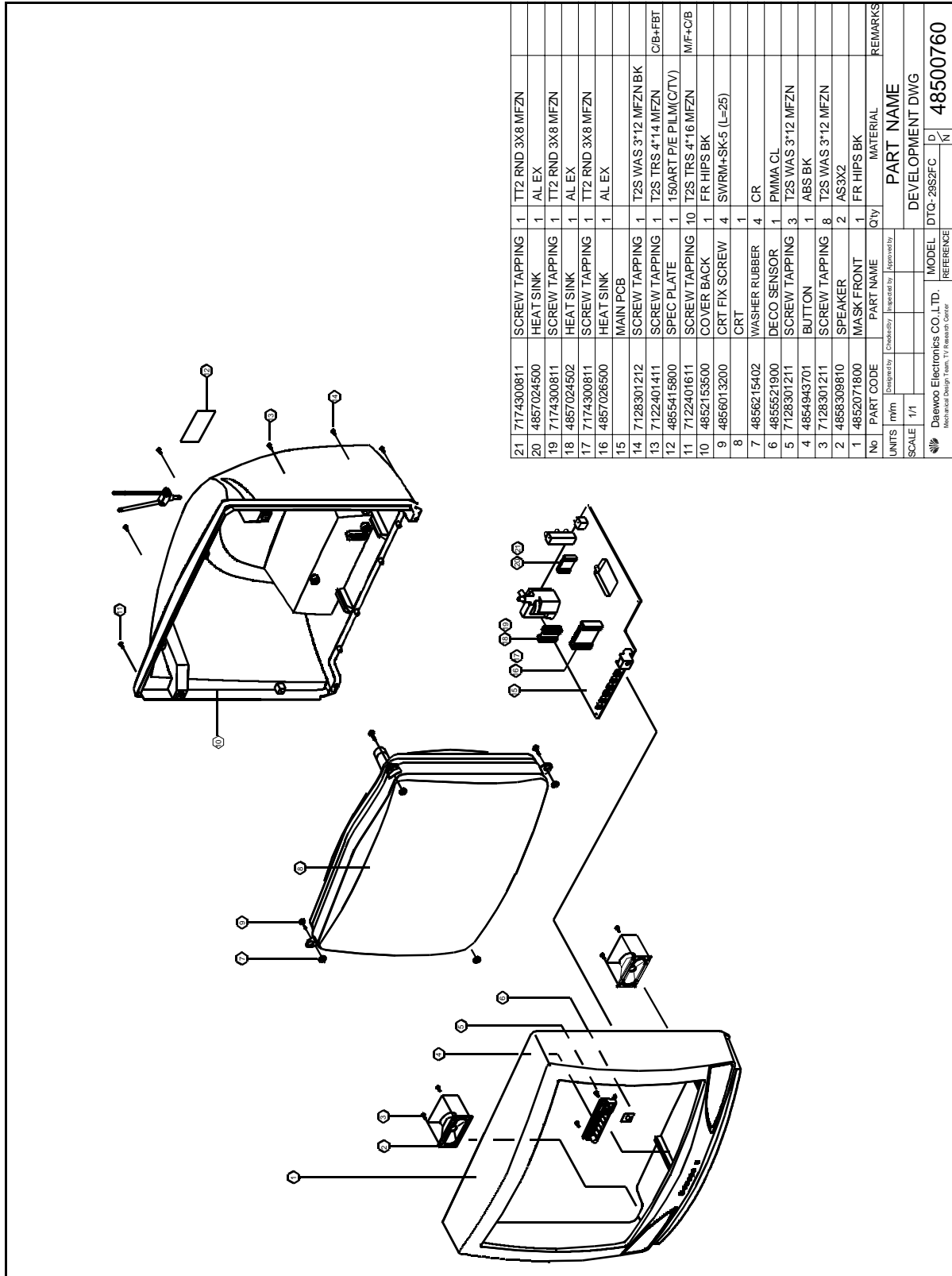
EXPLODED VIEW

1. DTQ-26S2



21	7174300811	SCREW TAPPING	1	TT2 RND 3X8 MFZN	
20	4857024500	HEAT SINK	1	AL EX	
19	7174300811	SCREW TAPPING	1	TT2 RND 3X8 MFZN	
18	4857024502	HEAT SINK	1	AL EX	
17	7174300811	SCREW TAPPING	1	TT2 RND 3X8 MFZN	
16	4857026500	HEAT SINK	1	AL EX	
15		MAIN PCB			
14	7128301212	SCREW TAPPING	1	T2S WAS 3*12 MFZN BK	
13	7122401411	SCREW TAPPING	1	T2S TRS 4*14 MFZN	C/B+FBT
12	4855415800	SPEC PLATE	1	150ART P/E FILM(C/TV)	
11	7122401611	SCREW TAPPING	10	T2S TRS 4*16 MFZN	MF+C/B
10	4852155200	COVER BACK	1	FR HIPS BK	
9	4856013200	CRT FIX SCREW	4	SWRM+SK-5 (L=25)	
8		CRT	1		
7	4856215402	WASHER RUBBER	4	CR	
6	4855540701	DECO SENSOR	1	PMMA CL	
5	7128301211	SCREW TAPPING	3	T2S WAS 3*12 MFZN	
4	4854944801	BUTTON	1	ABS BK	
3	7128301211	SCREW TAPPING	8	T2S WAS 3*12 MFZN	
2	4858309810	SPEAKER	2	ASX2	
1	48520773200	MASK FRONT	1	FR HIPS BK	
No	PART CODE	PART NAME	Q'ty	MATERIAL	REMARKS
UNITS	mm				
SCALE	1/1				
Designed by		Checked by	Approved by		
PART NAME		DEVELOPMENT DWG			
MODEL		DTG-26S2FC		48500760	
REFERENCE		D		N	
Daewoo Electronics CO., LTD.					
Mechanical Design Team, TV Research Center					

2. DTQ-29S2



Free Manuals Download Website

<http://myh66.com>

<http://usermanuals.us>

<http://www.somanuals.com>

<http://www.4manuals.cc>

<http://www.manual-lib.com>

<http://www.404manual.com>

<http://www.luxmanual.com>

<http://aubethermostatmanual.com>

Golf course search by state

<http://golfingnear.com>

Email search by domain

<http://emailbydomain.com>

Auto manuals search

<http://auto.somanuals.com>

TV manuals search

<http://tv.somanuals.com>