

DAEWOO

INSTRUCTION MANUAL

DP-SP22

DP-SP21

DP-SP20

PLASMA MONITOR (DISPLAY) SPEAKER

**S
P
E
A
K
E
R**

Thank you for purchasing the Daewoo Electronic Plasma Display Speakers. These speakers are specifically designed only for the Daewoo Plasma Display. To ensure the safe operation of the unit, please read these instructions before installing.

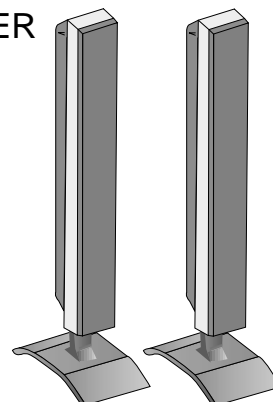
TABLE OF CONTENTS

1. Check for enclosed parts	2
2. Important Safety Instructions	3
3. Assembly Instructions	5
1) Using speakers when attached to the plasma display	
2) Using speakers on its own stand	

PLASMA DISPLAY SPEAKER

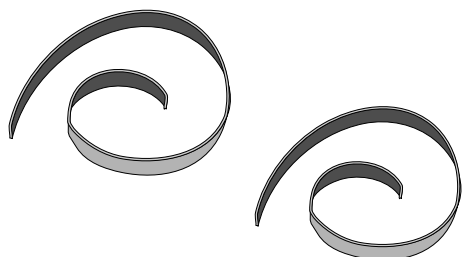
1. PLEASE CHECK THE FOLLOWING ITEMS SHOWN BELOW

SPEAKER



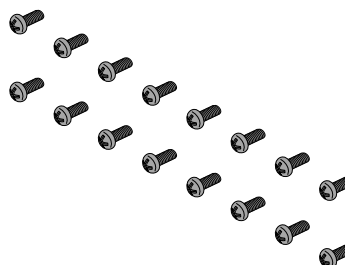
(2)

VIBRATION ABSORBENT SPONGE



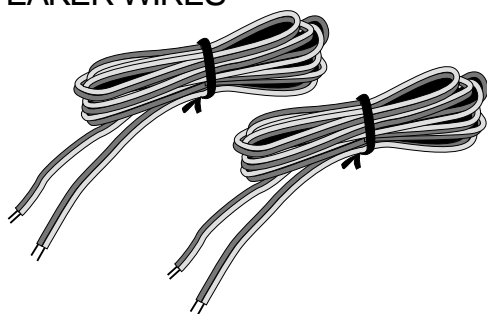
(2)

M5 SCREWS



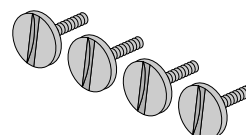
(16)

SPEAKER WIRES



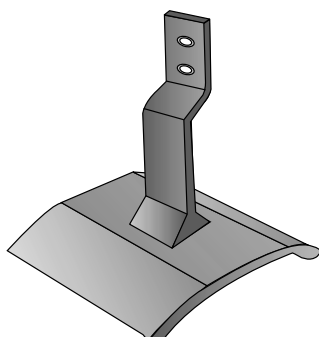
(2)

SPECIAL SCREWS / ROUND HEAD SCREWS



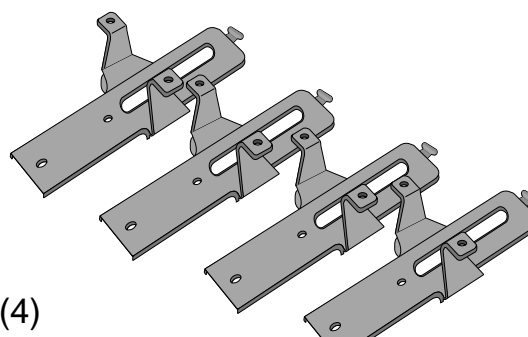
(4)

STAND



(2)

FIXED BRACKETS



(4)

S
P
E
A
K
E
R

2. IMPORTANT SAFETY INSTRUCTIONS

PLEASE FOLLOW THESE INSTRUCTIONS FOR YOUR SAFETY


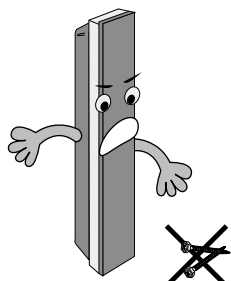

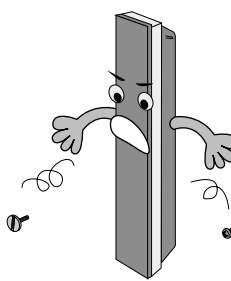

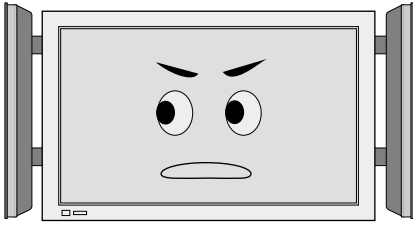

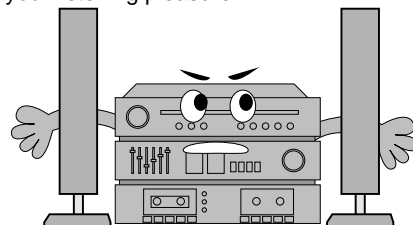

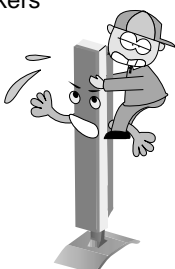

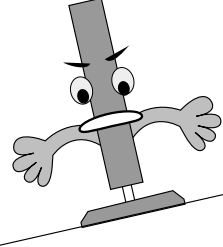
PLEASE KEEP THESE INSTRUCTIONS FOR YOUR SAFETY AND TO PREVENT ANY DAMAGE TO THIS UNIT.



WARNING : Disregarding these instructions can result in serious injury.



CAUTION : Disregarding these instructions will result in the mistreatment of the unit and can result in injury or damage to the unit.

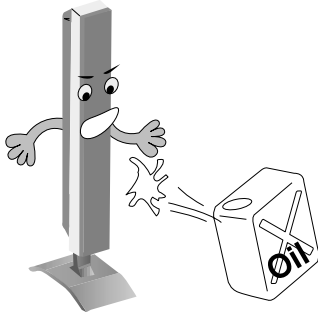
 <p>Do not use any parts other than those enclosed.</p>  <p>(Doing so may cause the unit to fall and break)</p>	 <p>Do not leave out any part when assembling. Please install all parts as indicated.</p>  <p>(Failing to do so may cause the unit to vibrate and to fall)</p>
 <p>Do not alter or modify any parts</p>  <p>(Failing to do so may cause the unit to fall and break)</p>	 <p>Do not use the speakers with other products. These speakers are specifically manufactured to be used with the Daewoo Plasma display to enhance your listening pleasure.</p>  <p>(Failing to do so can damage the speaker circuits resulting in fire)</p>
 <p>Do not allow a child to cling from or climb onto the speakers</p>  <p>(It can cause electric shock or injury to the child)</p>	 <p>Do not place the speakers on sloped or unstable surfaces.</p>  <p>(Doing so may cause the speakers to fall off or tip over causing injury and damage.)</p>

PLASMA DISPLAY SPEAKER

* PLEASE FOLLOW THESE SAFETY PRECAUTIONS WHEN INSTALLING OR HANDLING



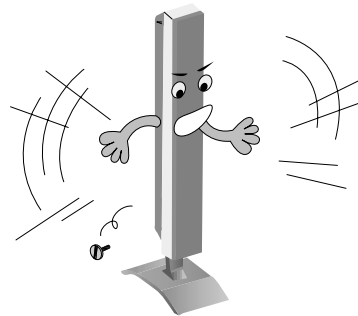
Please be careful not to stain the speakers with any gas or oil.



(Doing so will change the outer appearance)



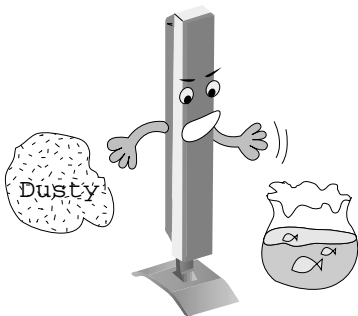
When assembling, be sure to use the enclosed parts and make sure all parts are tightly screwed as instructed.



(Failing to do so will cause the speakers to vibrate and unable to produce clear sound.)



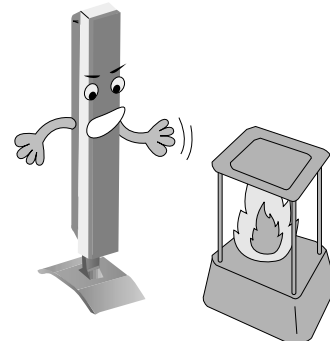
Do not place the speakers in a humid or dusty place.



(Failing to do so will damage the speakers)



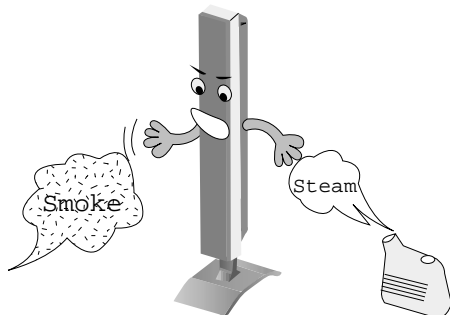
Do not place the speakers near heating units.



(Failing to do so may alter the units)



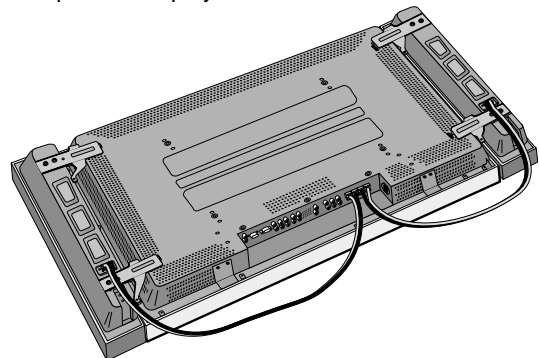
Do not place speakers near a humidifier, or cooking pots where speakers will be exposed to steam or smoke.



(Failing to do so may cause discoloration or damage to speakers)



Please be sure to connect (+) inputs and (-) inputs correctly when connecting speakers to plasma display.



(If not connected correctly, it may result in distorted sound)

S
P
E
A
K
E
R

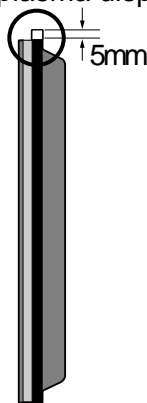
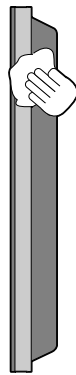
3. ASSEMBLING INSTRUCTIONS

USING SPEAKERS WHEN ATTACHED TO THE PLASMA DISPLAY

1 ATTACHING VIBRATION ABSORBENT SPONGES TO SPEAKERS

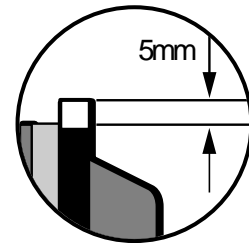
▪ Clean the surface with soft, lint-free cloth where sponges will be attached.

▪ Attach the sponge to the side of the speaker that will be attached to the plasma display.



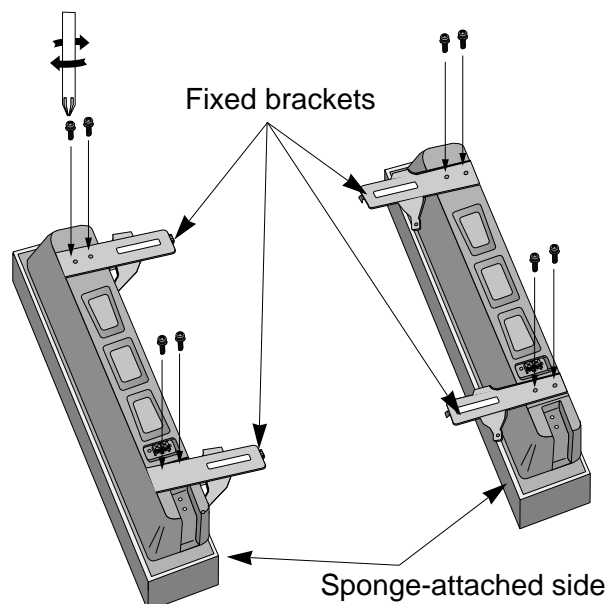
Note

Please leave a 5 mm space on the top and bottom when attaching. Do not cover the entire side with the sponge as shown in the picture above.



2 INSTALLING FIXED BRACKETS TO SPEAKERS

▪ Install fixed brackets to speakers before attaching speakers to plasma display.



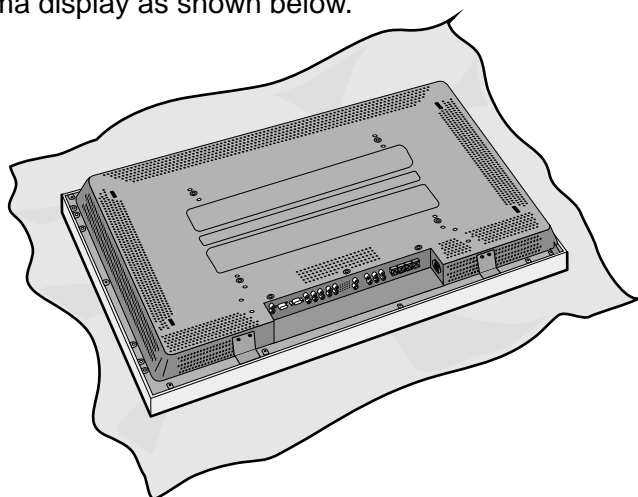
Note

Please make sure which side the fixed brackets will be screwed to, considering the left and right side of speakers as shown in the picture to the left.

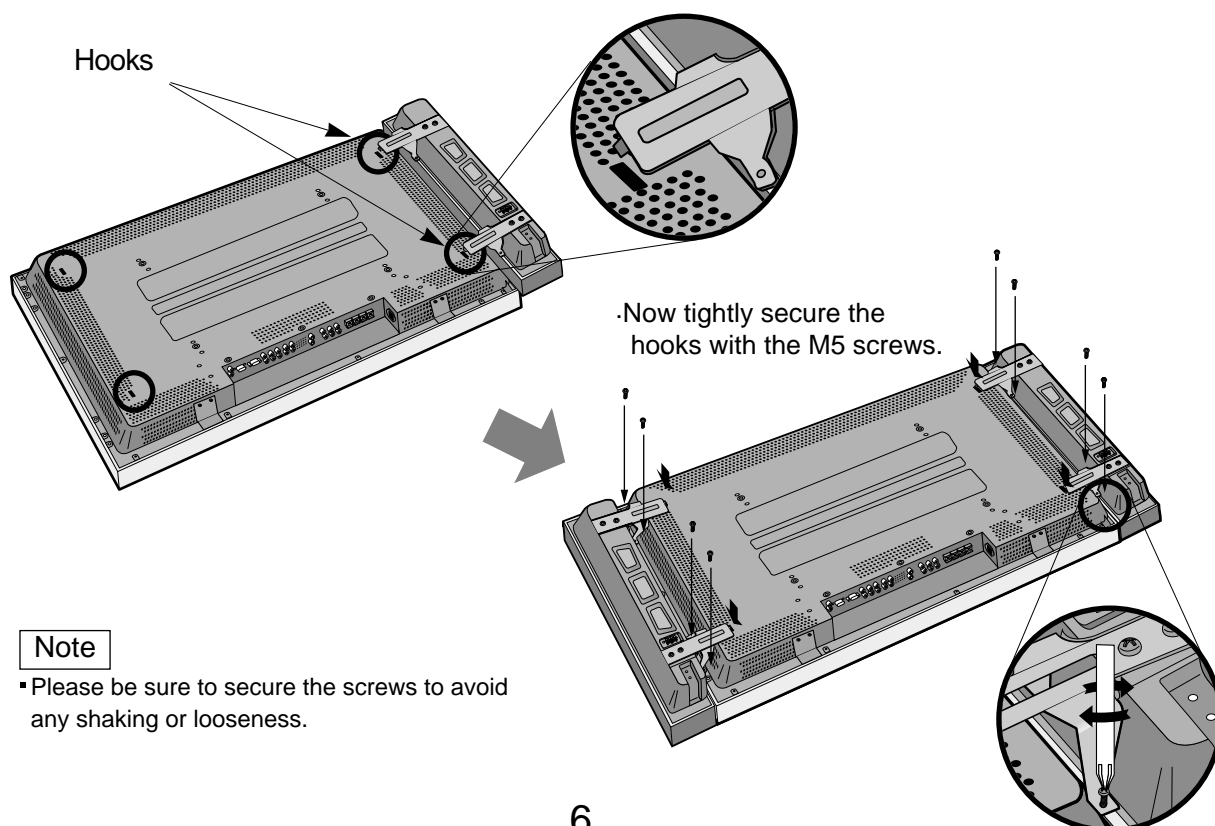
PLASMA DISPLAY SPEAKER

3 INSTALLING SPEAKERS TO THE PLASMA DISPLAY

- Place a protective covering over the surface you will be working on and lay the plasma display as shown below.



- Take the speakers with fixed brackets to the back of the plasma display. Place the hooks onto the fixed brackets to the squared holes in the back of the plasma display.

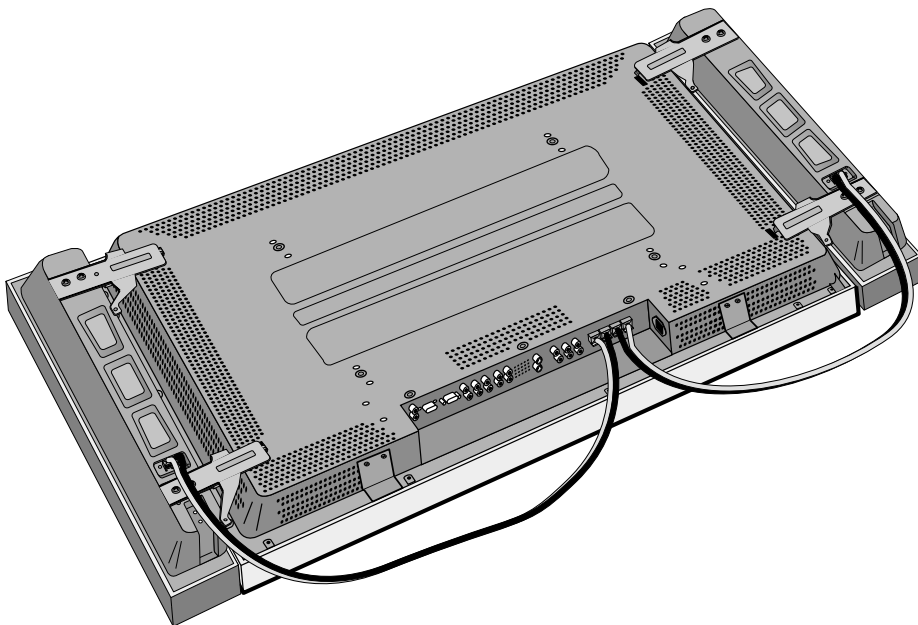


Note

- Please be sure to secure the screws to avoid any shaking or looseness.

4 CONNECTING SPEAKER WIRES

- Take the speaker wire(2) and use the red cord to connect to and fro (+) inputs, and use the black cord to connect to and fro (-) inputs.



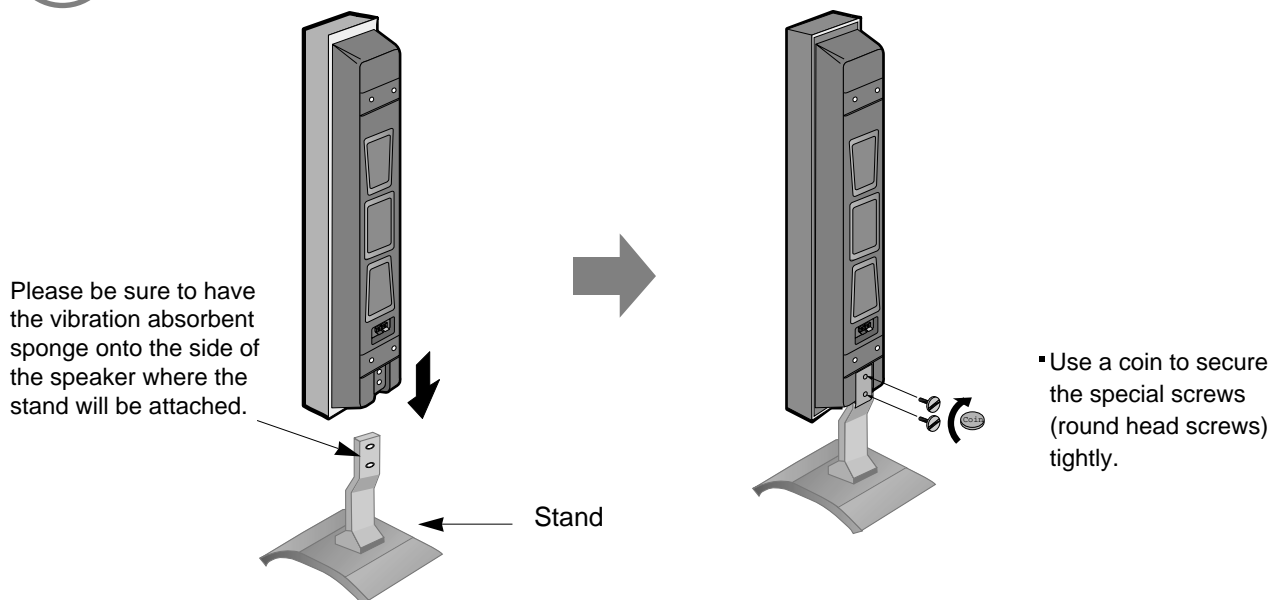
Note

- Please be sure to connect red cord with (+) and black with (-); otherwise, speakers will not produce clear sounds.
- Please retain the left over accessories.

PLASMA DISPLAY SPEAKER

USING SPEAKERS ON ITS OWN STAND

1 INSTALLING SPEAKERS TO ITS OWN STAND.

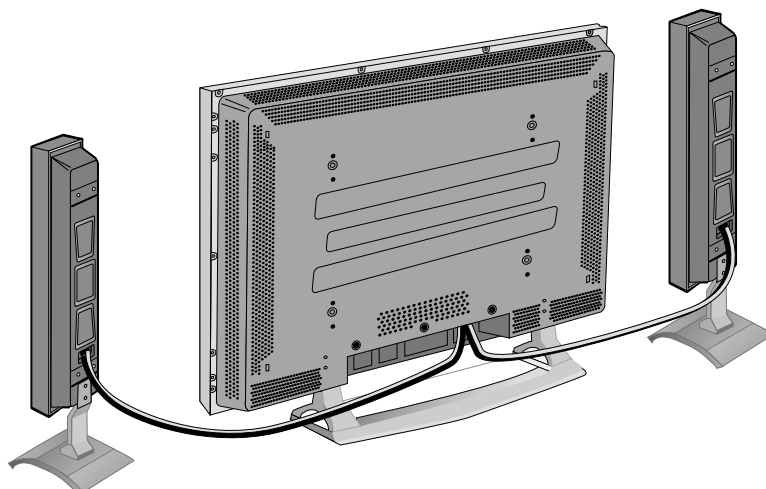


Note

- To avoid loose fitting, please be sure that screws are secured tightly. Otherwise, vibrating or distorted sounds may be produced.

2 CONNECTING SPEAKER WIRES.

- Take the speaker wires (2) and use the red cord to connect to and fro (+) inputs, and use the black cord to connect to and fro (-) inputs.



S
P
E
A
K
E
R

Free Manuals Download Website

<http://myh66.com>

<http://usermanuals.us>

<http://www.somanuals.com>

<http://www.4manuals.cc>

<http://www.manual-lib.com>

<http://www.404manual.com>

<http://www.luxmanual.com>

<http://aubethermostatmanual.com>

Golf course search by state

<http://golfingnear.com>

Email search by domain

<http://emailbydomain.com>

Auto manuals search

<http://auto.somanuals.com>

TV manuals search

<http://tv.somanuals.com>