

DAEWOO

INSTRUCTION MANUAL

DP-ST22

DP-ST21

DP-ST20

PLASMA MONITOR (DISPLAY) STAND

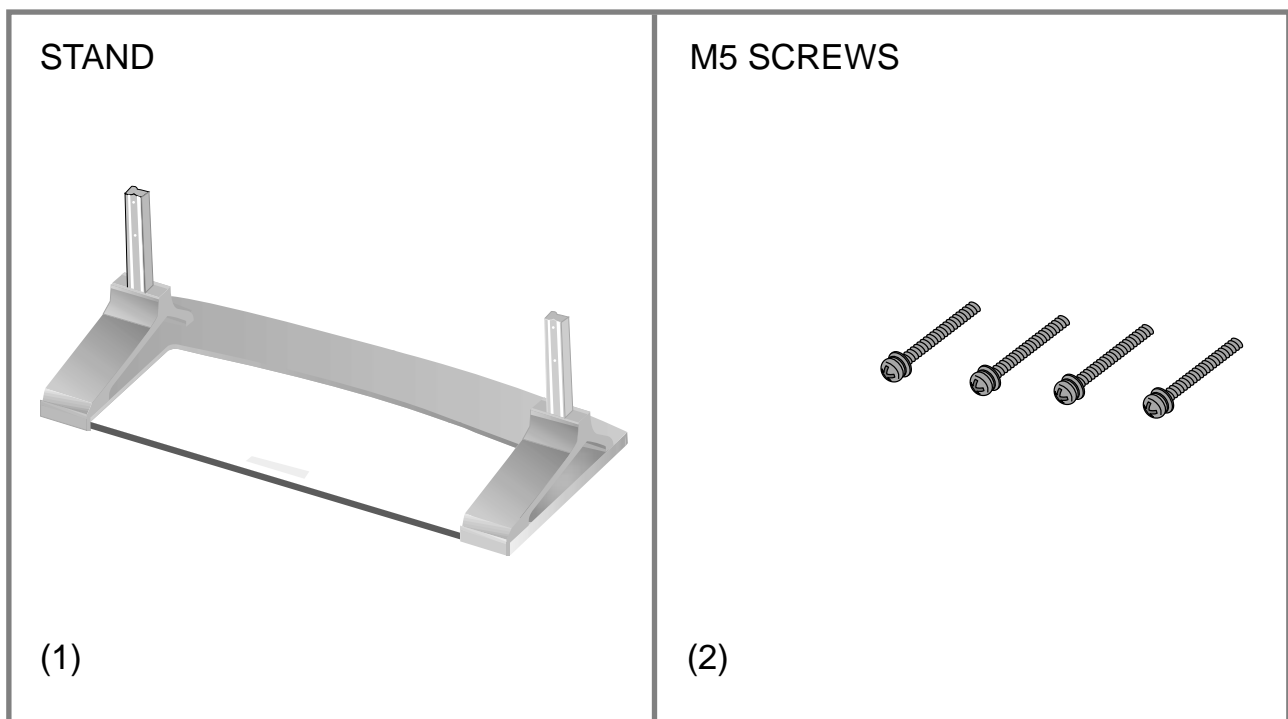
Thank you for purchasing the Daewoo Electronic Plasma Monitor stand. This stand is specifically designed only for the Daewoo Plasma Display. To ensure the safe operation of the unit, please read these instructions before installing.

**S
T
A
N
D**

TABLE OF CONTENTS

1. Check for enclosed parts	1
2. Important Safety Instructions	2
3. Assembly Instructions	3
4. Disassembling Instructions	5

1. PLEASE CHECK FOR THE ITEMS SHOWN BELOW



PLASMA DISPLAY STAND

2. IMPORTANT SAFETY INSTRUCTIONS

PLEASE FOLLOW THESE INSTRUCTIONS FOR YOUR SAFETY

PLEASE KEEP THESE INSTRUCTIONS FOR YOUR SAFETY AND TO PREVENT ANY DAMAGE TO THIS UNIT.



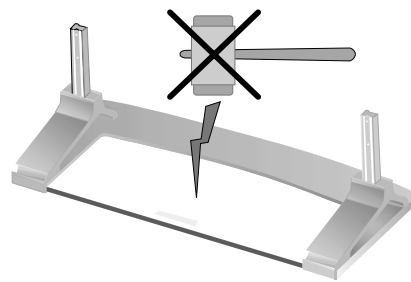
WARNING : Disregarding these instructions can result in serious injury.



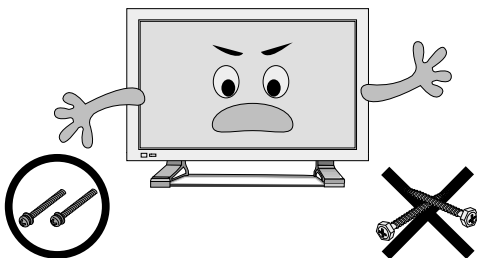
CAUTION : Disregarding these instructions will result in the mistreatment of the unit and can result in injury or damage to the unit.



When handling Display glass, be careful not apply any pressure on it.



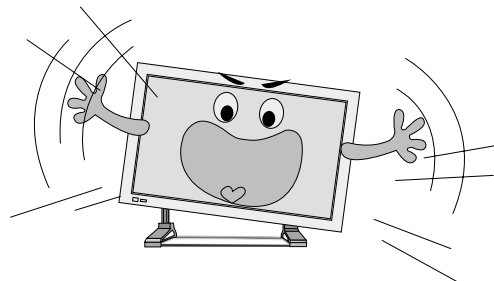
When assembling, be sure to use the enclosed parts and make sure all parts are tightly screwed.



(If screws come loose, it can result in an electric shock and unwanted accident)



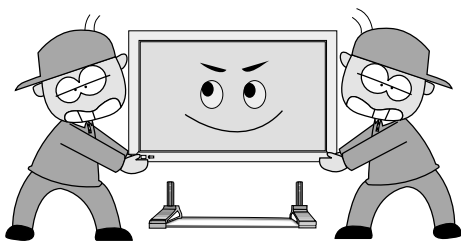
When assembling, do not alter or modify any parts



(Doing so may cause the unit to fall and break)



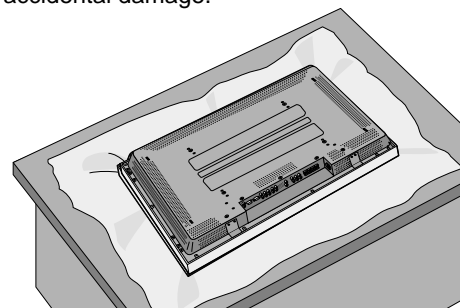
When installing, be sure to have at least two people handling the unit.



(If the unit is dropped, it may result in damage to the unit and injury to your person)



When attaching stand to plasma display, be sure to cover the surface to protect from accidental damage.



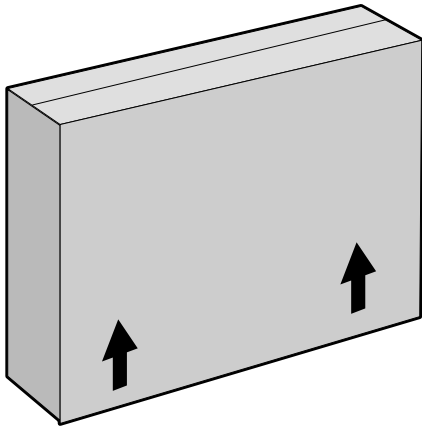
(It may result in unwanted marks on the units, if working without the protective covering)

S
T
A
N
D

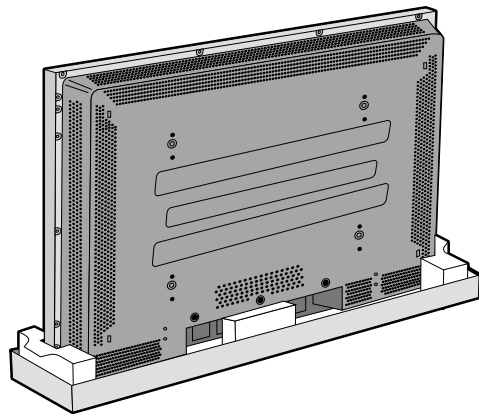
3. ASSEMBLING INSTRUCTIONS

1 HOW TO DISPOSE OF THE PLASMA MONITOR WRAPPER

▪ First dispose of the wrapping band and raise the top box to open.

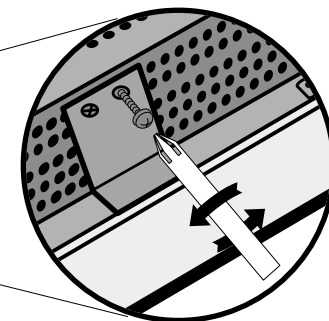
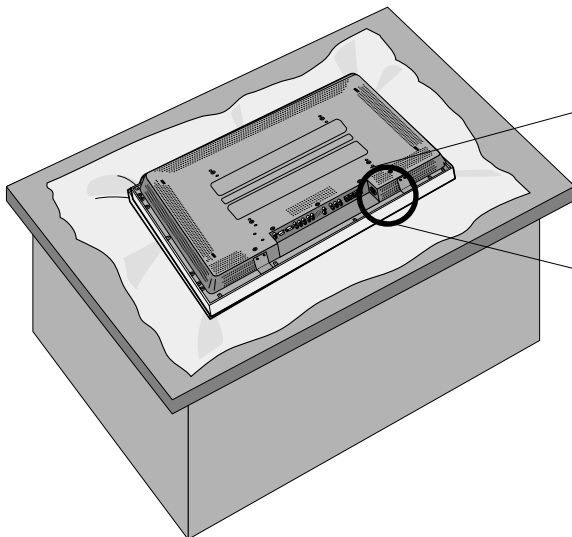


▪ Afterwards, dispose of the Styrofoam and remove the vinyl covering.



2 HOW TO DISPOSE OF THE PROTECTIVE CAP.

▪ Place a protective covering over the surface you will be working on and lay the plasma display as shown below.

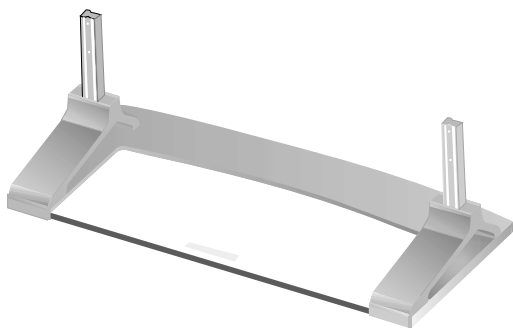


▪ As shown below, unscrew the screws and take out both of the protective caps.

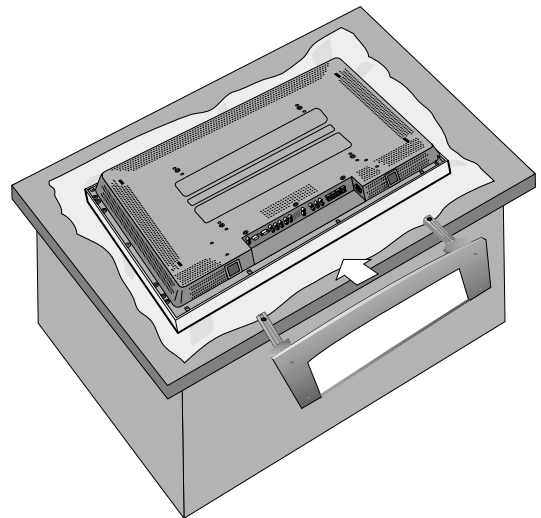
PLASMA DISPLAY STAND

3 ASSEMBLING THE PLASMA DISPLAY STAND

- Open and take out the stand from the box and remove wrapper.

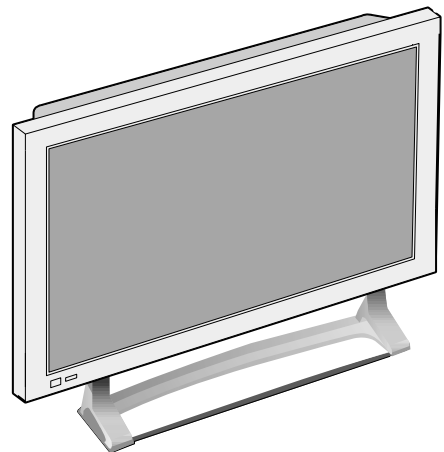
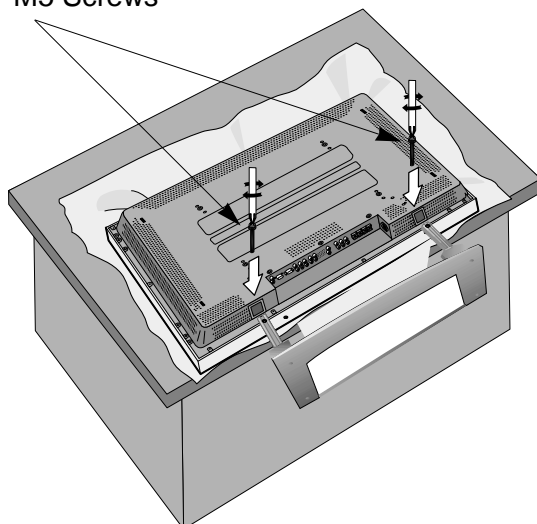


- Slide the stand under the plasma display like the picture below.



- Use the enclosed 2 M5 screws to secure the assembled stand.

M5 Screws



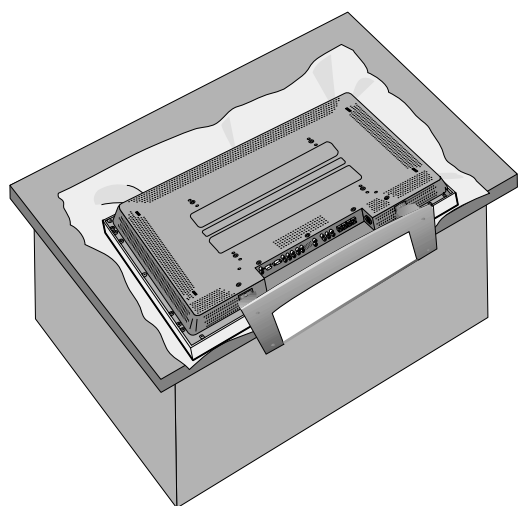
(Picture of a properly installed stand and display)

S
T
A
N
D

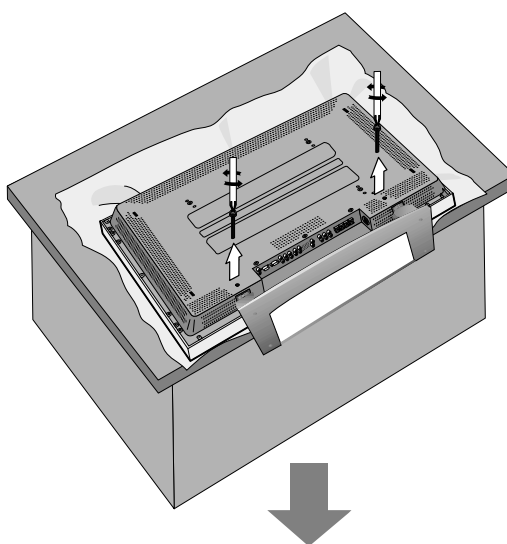
4. DISASSEMBLING INSTRUCTIONS

DISASSEMBLING PLASMA DISPLAY STAND

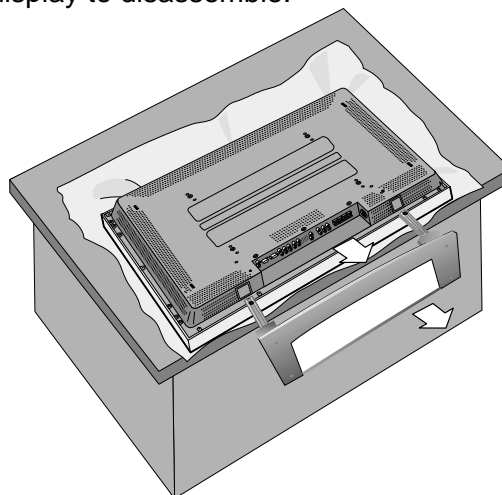
- Place a protective covering over the surface you will be working on and lay the plasma display as shown below.



- Completely unscrew the secured 2 screws.



- Pull the stand away from the plasma display to disassemble.



Free Manuals Download Website

<http://myh66.com>

<http://usermanuals.us>

<http://www.somanuals.com>

<http://www.4manuals.cc>

<http://www.manual-lib.com>

<http://www.404manual.com>

<http://www.luxmanual.com>

<http://aubethermostatmanual.com>

Golf course search by state

<http://golfingnear.com>

Email search by domain

<http://emailbydomain.com>

Auto manuals search

<http://auto.somanuals.com>

TV manuals search

<http://tv.somanuals.com>