

DAEWOO

INSTRUCTION MANUAL
DP-HG22

PLASMA MONITOR (DISPLAY) WALL HANGER UNIT

H
A
N
G
E
R

U
N
I
T

Thank you for purchasing the Daewoo Electronic Plasma Display Wall Hanger Unit. This wall unit is specifically designed for use with the Daewoo Plasma Display. To ensure the safe operation of the unit, please read these instructions before installing.

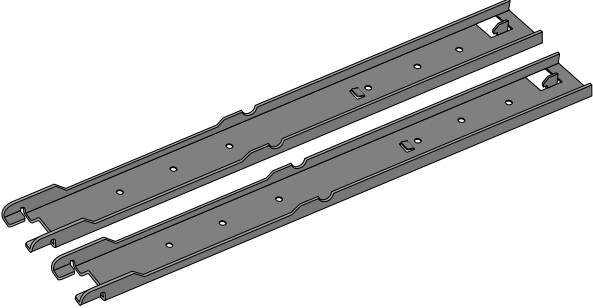

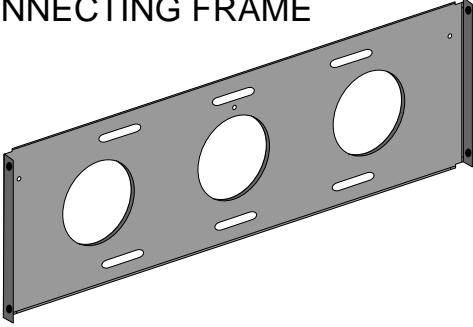
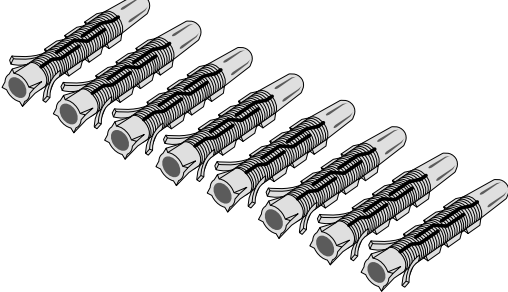
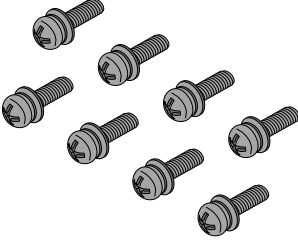
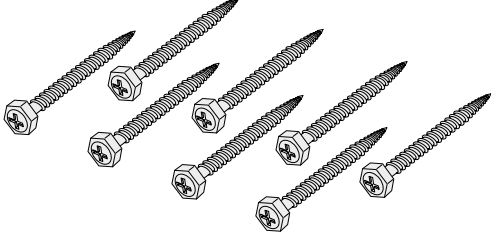
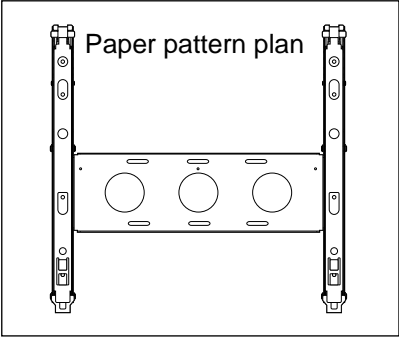
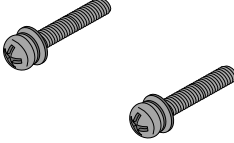
TABLE OF CONTENTS

1. Check for enclosed parts	2
2. Important Safety Instructions	3
3. Assembly Instructions	6
4. Adjusting angles after installation	12

***To install the wall hanger unit, Please consult an Authorized service center first.**

PLASMA DISPLAY HANGER UNIT

1. PLEASE CHECK THE ITEMS SHOWN BELOW

<p>FRAME SET A</p>  <p>(2)</p>	<p>FRAME SET B</p>  <p>(2)</p>
<p>CONNECTING FRAME</p>  <p>(1)</p>	<p>CONCRETE WALL ANCHOR</p>  <p>(8)</p>
<p>M5 SCREWS (20 MM)</p>  <p>(12)</p>	<p>WALL SCREWS</p>  <p>(8)</p>
<p>PAPER PATTERN PLAN</p>  <p>(1)</p>	<p>M5 SCREWS (30MM)</p>  <p>(2)</p>

H
W
A
N
G
L
E
R
U
N
I
T

2. IMPORTANT SAFETY INSTRUCTIONS

PLEASE FOLLOW THESE INSTRUCTIONS FOR YOUR SAFETY

PLEASE KEEP THESE INSTRUCTIONS FOR YOUR SAFETY AND TO PREVENT ANY DAMAGE TO THIS UNIT.



WARNING : Disregarding these instructions can result in serious injury.



CAUTION : Disregarding these instructions will result in the mistreatment of the unit and can result in injury or damage to the unit.

* PLEASE CONSULT AN AUTHORIZED SERVICE CENTER TO INSTALL THE WALL HANGER UNIT



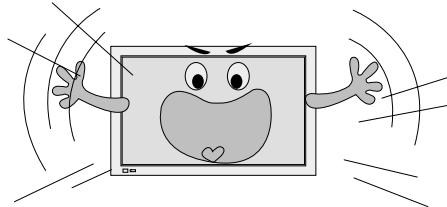
To install the wall hanger unit, please consult an Authorized service center first.



(Failing to do so may cause the unit to fall and break)



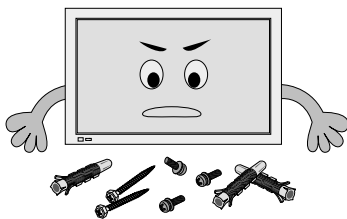
The wall hanger unit needs to be installed securely enough to handle earthquakes or lengthy periods of vibration.



(Failing to do so may cause the unit to fall and break)



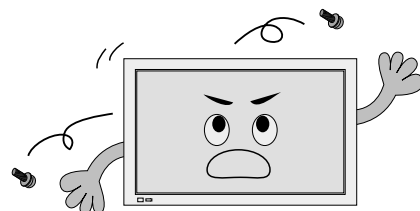
When assembling, do not use any parts other than those enclosed and secure all parts tightly.



(Failing to do so may cause the unit to fall and break)



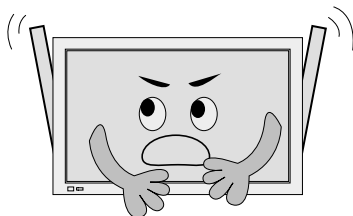
Do not leave out any part when assembling. Please install all parts to where indicated.



(Failing to do so may cause the unit to vibrate and to fall)



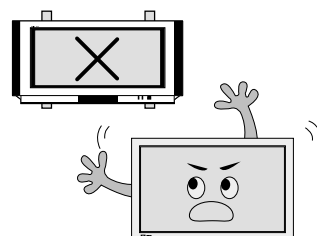
Do not alter or modify any parts



(Failing to do so may cause the unit to fall and break)



Do not use the wall hanger unit with other products. This wall hanger unit is specifically designed to fit the Daewoo Plasma Display.



(Failing to do so may cause the unit to fall and break)

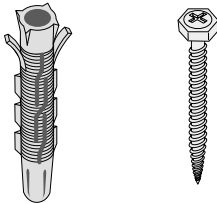
PLASMA DISPLAY HANGER UNIT

* PLEASE FOLLOW THESE SAFETY PRECAUTIONS WHEN INSTALLING OR HANDLING



Special care is needed when installing onto the wall due to its weight (35Kg)

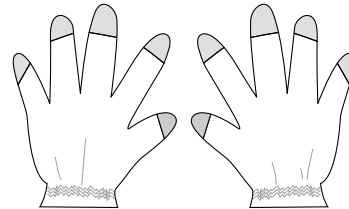
When installing on a concrete wall
Please be sure to use the enclosed concrete anchors.



When installing on a wooden wall take special care as the unit may require extra support to uphold the weight of the plasma display.



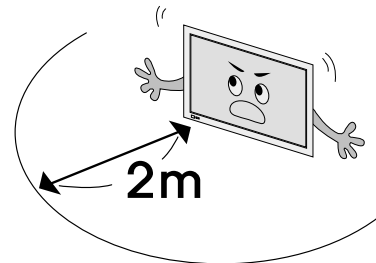
When installing, please wear working gloves.



(If done with bare hands, it may result in injury)



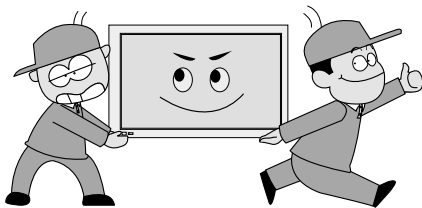
Be sure that no one is around to distract you during the installation process.



(It may result in injury to you or others)



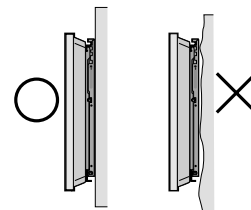
When installing, please have at least two people.



(Because of its weight, the unit may fall and can cause injury)



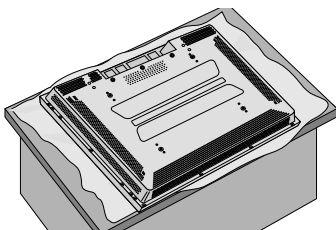
Please choose a wall that is straight so that the plasma display can be securely attached onto the wall.



(If attached on an unstable wall, the unit can fall and break)



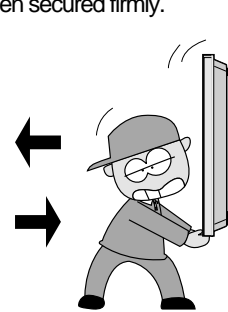
Place a protective covering over the surface you will be working on when handling the plasma display and the wall hanger units.



(Failing to do so may result in unwanted marks on the unit)



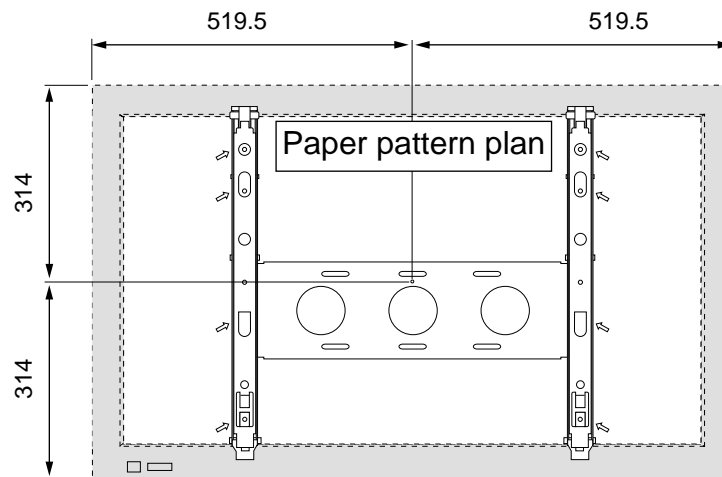
After installing, please be sure to check to see if the unit has been secured firmly.



* PLEASE FOLLOW THESE SAFETY PRECAUTIONS WHEN INSTALLING OR HANDLING



When installing, please use the size referenced below to choose a place, and attach the paper pattern plan to the wall.

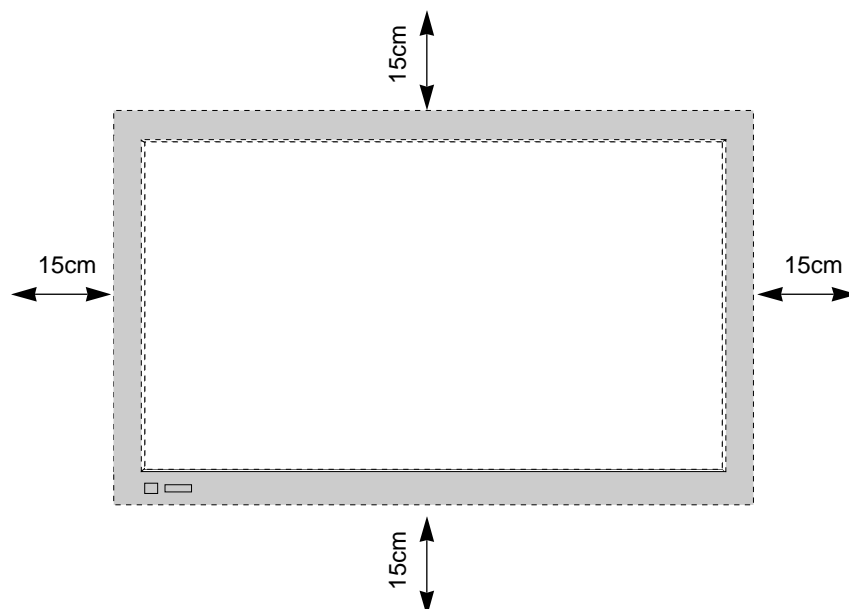


▪ Measurement unit : mm

It is important to use the paper pattern plan to choose the proper place; otherwise, it can result in damage to the wall and you will not be able to install the unit



When installing, please allow at least 15 cm at the top, bottom, left and right on the wall, and clear all items away from where the unit will be.



If proper spacing is not allowed, it may cause the plasma display to overheat, which can cause fire or damage to the unit

PLASMA DISPLAY HANGER UNIT

3. ASSEMBLING INSTRUCTIONS

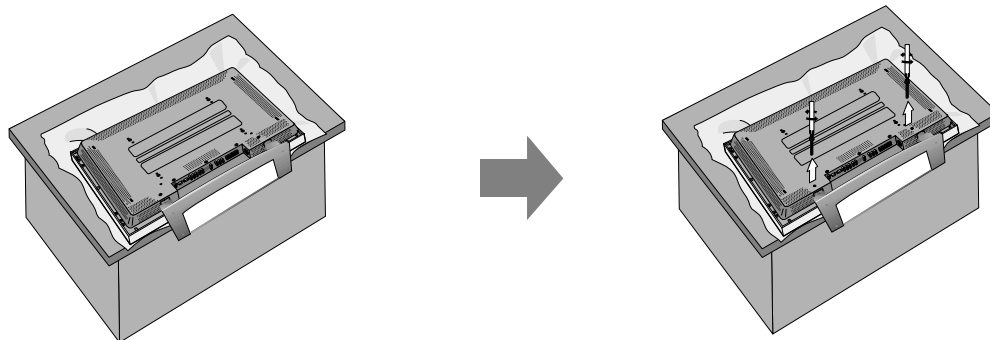
PREPARATION

WHEN THE PLASMA DISPLAY IS ATTACHED TO THE STAND

1 TO DETACH THE STAND FROM THE PLASMA DISPLAY

▪ To avoid unwanted marks on the unit, place a protective covering over the surface you will be working on and lay the plasma display as shown below.

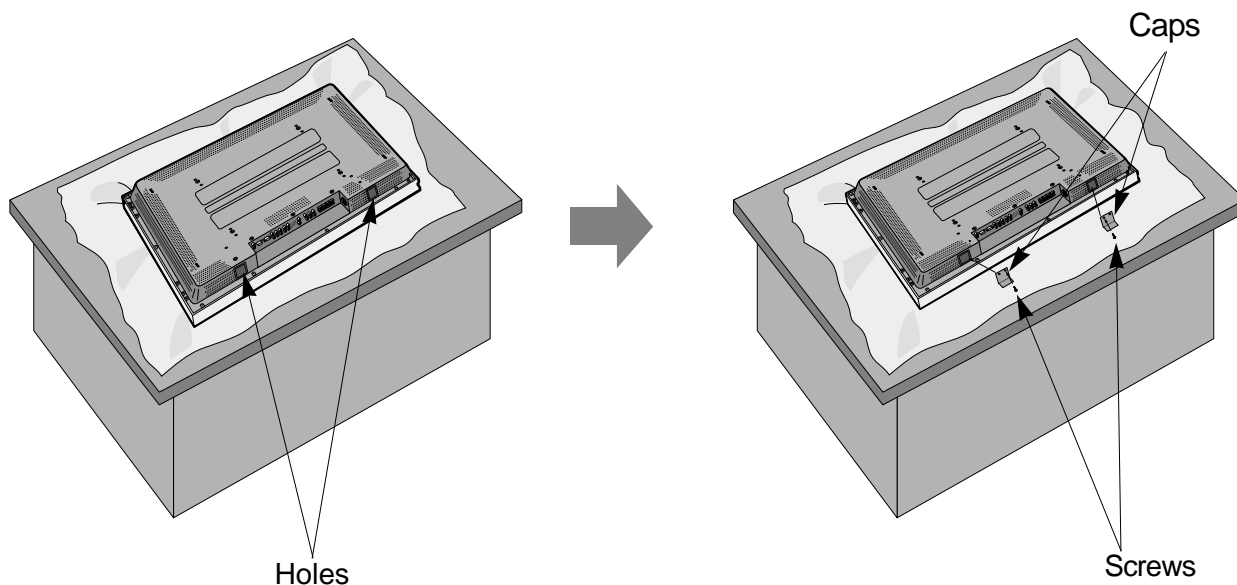
▪ Unscrew the secured 2 screws completely and Pull the stand away from the plasma display to detach.



2 TO PLACE THE PROTECTIVE CAPS

▪ There will be two holes where the stand has been detached.

▪ Put the protective caps on the holes and use the screws to secure tightly.



H
W
A
N
G
L
E
R
U
N
I
T

MODEL: DP-HG22

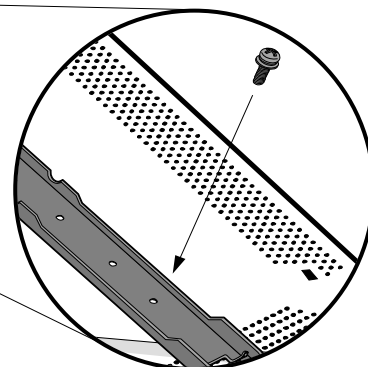
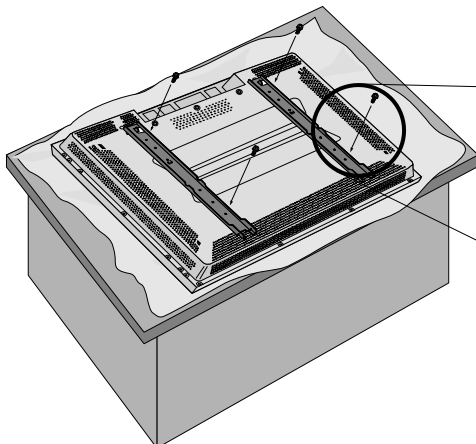
INSTALLING THE WALL FRAME SET A ON THE PLASMA DISPLAY PANEL

- Replace the previous instruction (#2) with the following updated one.
- Four M5 screws are not used out of total number.
- Make sure the installation is secure.
- Installation by professional is preferred.
- Contact information for any question.

1-800-DAEWOO-8 #8
 1-201-964-9349
 Service@daewoodigital.com

2 HOW TO INSTALL FRAME SET A ON THE UNIT

- To avoid unwanted marks on the unit, place a protective covering over the surface you will be working on and lay the plasma display as shown in the picture below.
- Place frame set A on the left and right side of the unit and use the enclosed screws (M5) to secure them tightly. (left and right 2 each)



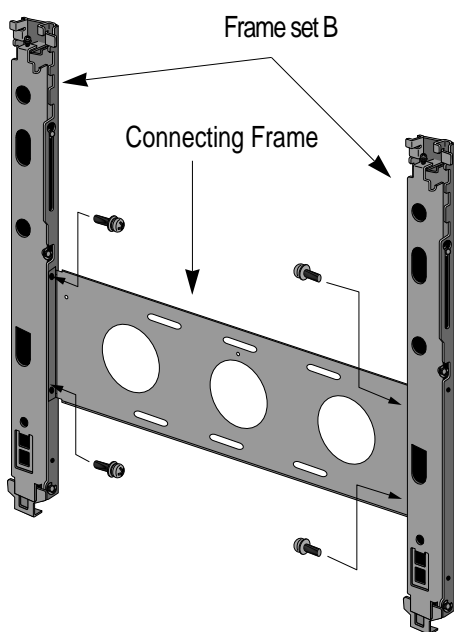
Note

- When securing frame set A to the plasma display panel, make sure that they match the holes correctly.
- If the holes are matched incorrectly, the installation will not be successful.

PLASMA DISPLAY HANGER UNIT

INSTALLING WALL FRAME SET B AND CONNECTING FRAME

1 INSTALLING WALL FRAME SET B AND CONNECTING FRAME.



- Place frame set B on the left and right side of the unit and use the enclosed screws (M5) to secure them tightly.

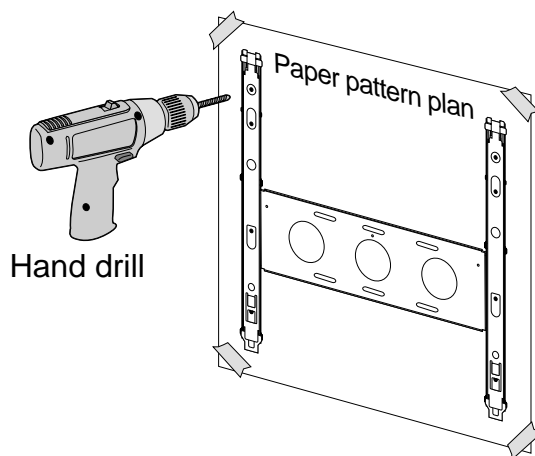
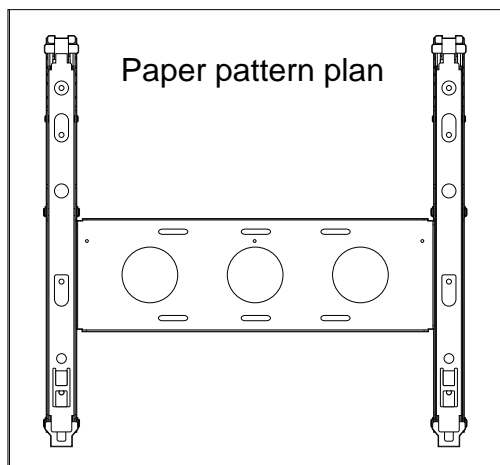
Note

- Please be sure to not force an adjustment when connecting frame set B and connecting frame.
- Otherwise, it will create problems when connecting to frame set A.

2 ATTACHING PAPER PATTERN PLAN ON THE WALL

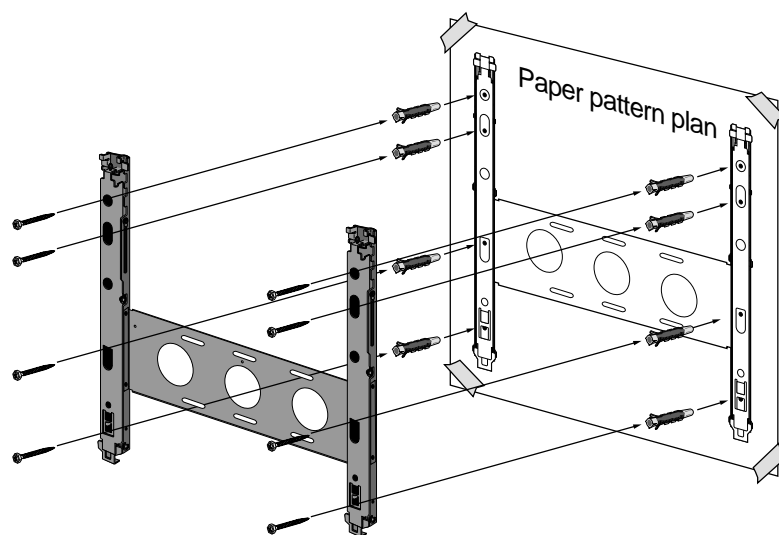
- Place the enclosed paper pattern plan (actual size) on the wall with glue or tape.

- Drill holes on the wall as indicated on the paper pattern plan with a hand drill (power drill) and hammer in the concrete anchors (8) firmly.



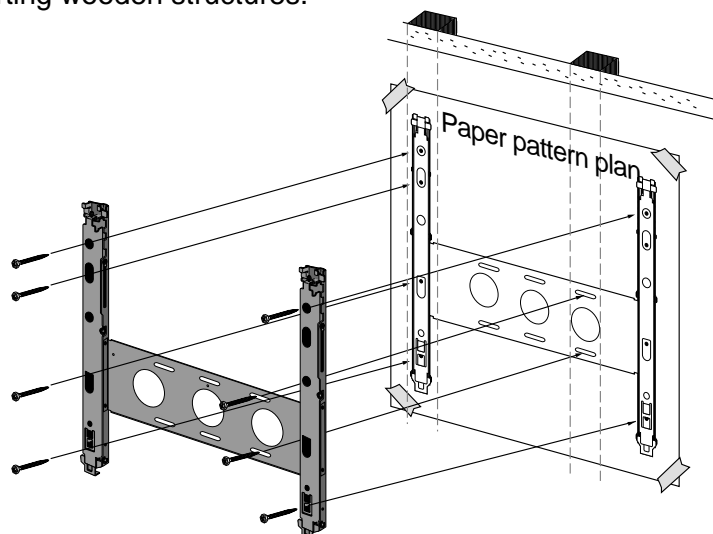
3 INSTALL THE WALL FRAME SET ON THE WALL

- Install the wall frame set on the wall by matching the concrete anchors with the holes, then use the wall screws (8) to secure tightly.



4 INSTALLING ON THE WALL HELD BY SUPPORTING WOODEN STRUCTURE

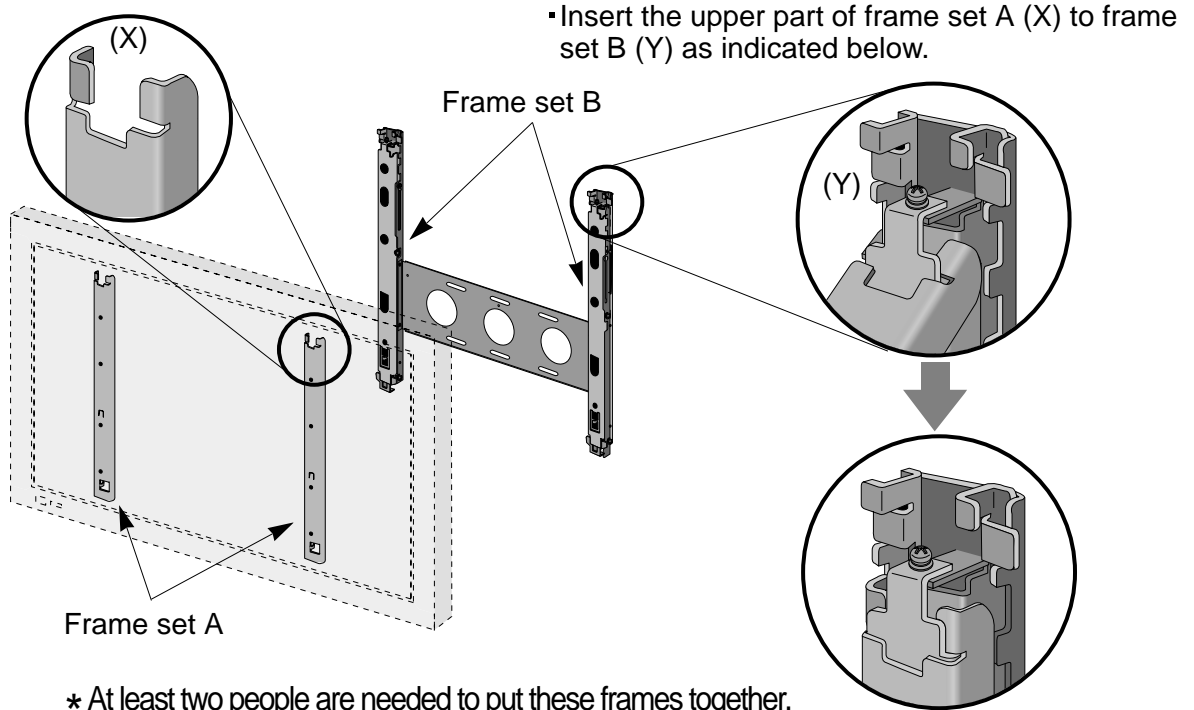
- If it is not feasible to attach frame set B firmly and completely, due to the distance between the two supporting woods; attach one side of the frame set B firmly to the supporting wood, and use appropriate remaining holes(6) to attach the frame set B to the supporting wooden structures.



PLASMA DISPLAY HANGER UNIT

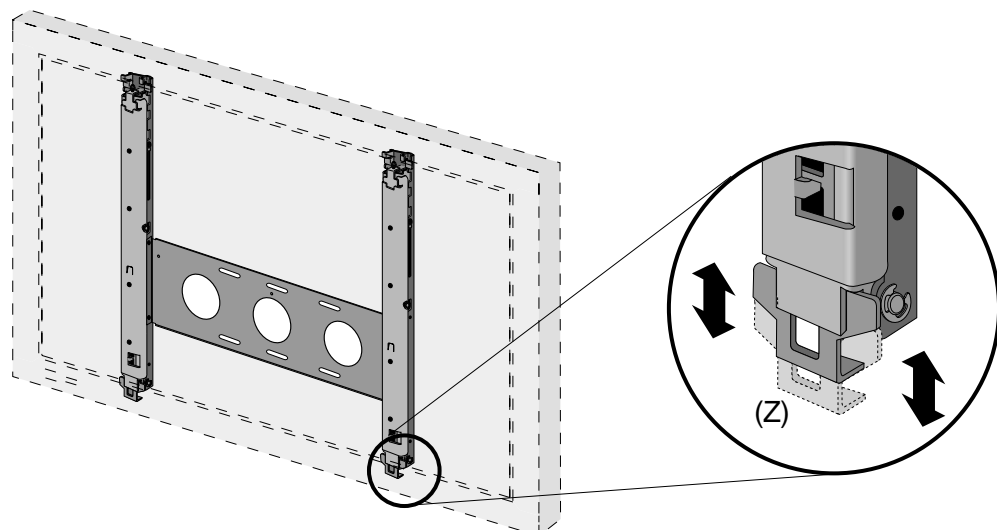
INSTALLING PLASMA DISPLAY ON THE WALL

1 CONNECTING UPPER PART OF FRAME SET A AND FRAME SET B



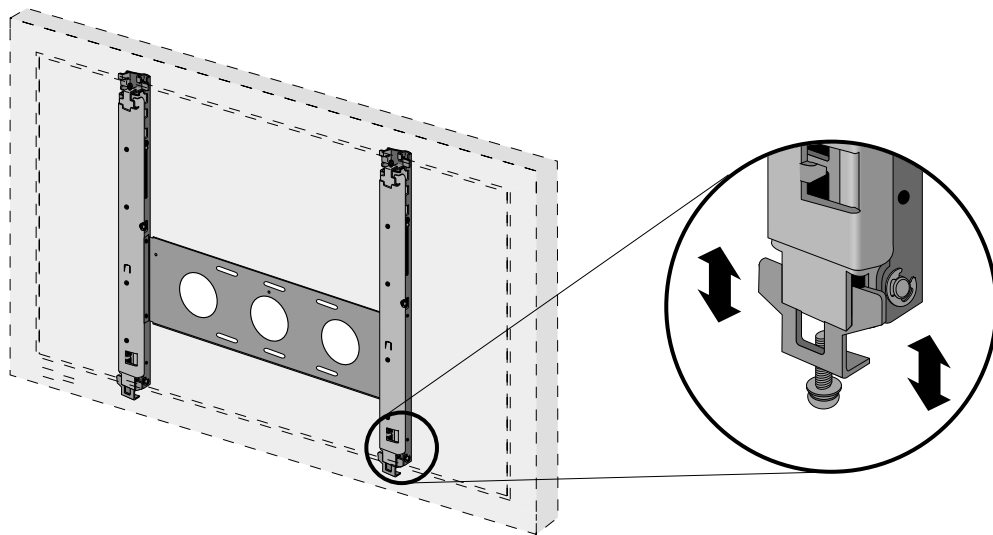
2 CONNECTING LOWER PART OF FRAME SET A AND FRAME SET B

▪ Adhere Frame set B to Plasma Display unit, then, take the lower part of Frame set B as pictured below and push the (Z) part up gently then let go to connect.



3 TO PROVIDE THE SECUREST FIT

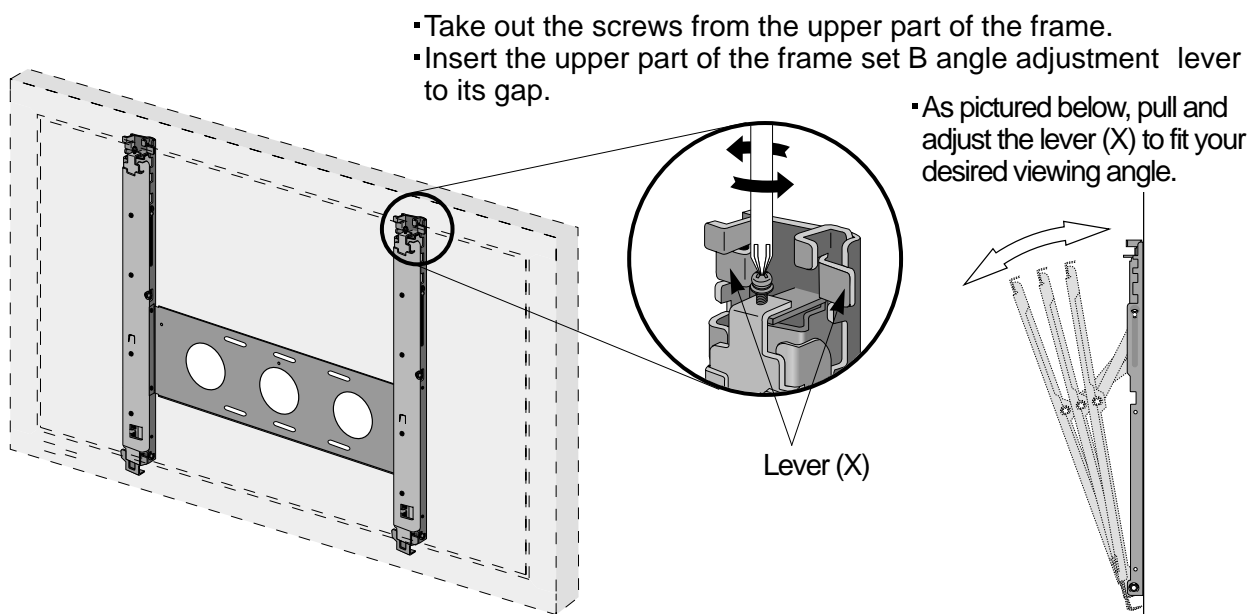
- After installing plasma display and wall frame sets, for a more secure fit, secure M5 screws (M5x30) on the (Z) part so that (Z) will not move up and down as shown in the picture below.



PLASMA DISPLAY HANGER UNIT

4. ADJUSTING ANGLES AFTER INSTALLATION (10°, 15°, 20°)

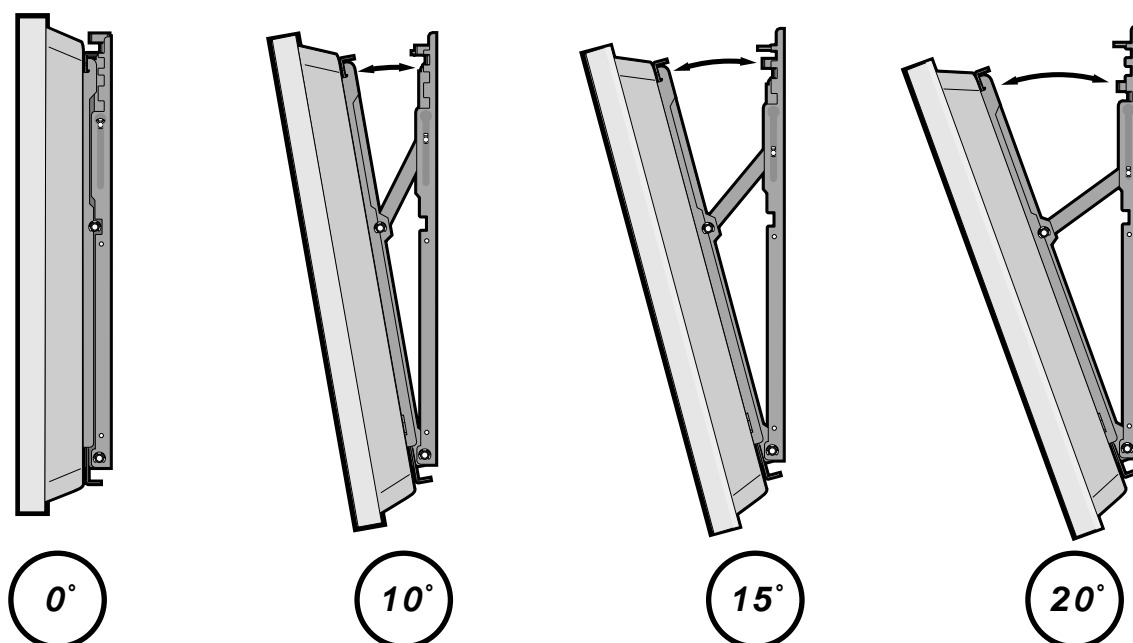
1 HOW TO ADJUST VIEWING ANGLES



Note

- This adjustment needs to be done when the plasma display is tightly secured. Otherwise, the unit can fall and break.
- Please retain the two screws for future angle adjustments.
- At least two people are needed when modifying angle adjustment.

2 THE FIGURES BELOW DISPLAY THE POSSIBLE PLASMA DISPLAY ANGLES.



H
W
A
N
G
L
E
R
U
N
I
T

Free Manuals Download Website

<http://myh66.com>

<http://usermanuals.us>

<http://www.somanuals.com>

<http://www.4manuals.cc>

<http://www.manual-lib.com>

<http://www.404manual.com>

<http://www.luxmanual.com>

<http://aubethermostatmanual.com>

Golf course search by state

<http://golfingnear.com>

Email search by domain

<http://emailbydomain.com>

Auto manuals search

<http://auto.somanuals.com>

TV manuals search

<http://tv.somanuals.com>