

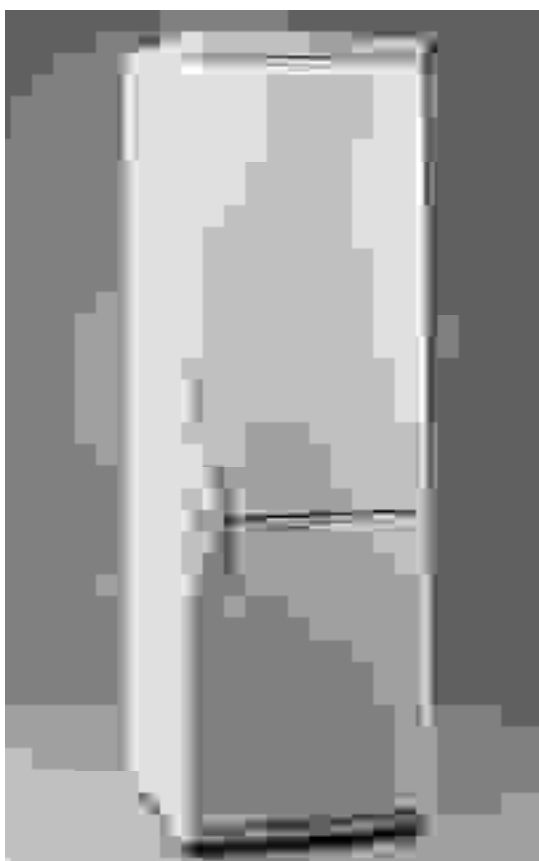
# DAEWOO

• ENGLISH

1

Model : ERF-100

*GRIP HANDLE*



*HIDDEN HANDLE*



**DAEWOO**  
ELECTRONICS

**CE**

This product has been designed, constructed and marketed in accordance with EEC directives 73/23, 89/336, 96/57 and 93/68.

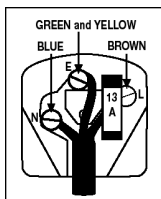
Please read this manual carefully to ensure maximum satisfaction from your appliance. Keep the manual in a safe place for future reference. For drawings referenced in the text below, see flap at back of the manual.

**ABOUT THIS PRODUCT**

- This product is designed for domestic household use only.
- Use the 4-star freezer compartment
  - to freeze fresh and cooked foods,
  - to store deep-frozen and frozen products,
  - to make ice-cubes.
- Use the refrigerator compartment
  - to store fresh foods,
  - to cool drinks.
- The freezer and refrigerator compartments defrost automatically.
- Owing to cool air circulation (multi-airflow system) an even temperature is maintained on every shelf of the refrigerator compartment. The temperature in the specially designed low temperature compartment is kept at approximately 0°C, extending nutritional value and original freshness of the food.

**BEFORE CONNECTING TO THE MAINS**

1. Wait 2 hours after delivery before you connect the appliance to the power supply, in order to ensure trouble-free operation.
2. **In the UK only.** Electrical connections:
  - Check that the voltage on the rating plate (7) corresponds to the voltage in your home.
  - The wires of the mains lead fitted to this appliance are coloured in accordance with the following code:



GREEN and YELLOW = EARTH  
(GREEN or GREEN and YELLOW)

BLUE = NEUTRAL (BLACK)

BROWN = LIVE (RED)

As the colours of the wires in the mains lead fitted to this appliance may not correspond with the coloured markings identifying the terminals in the plug, proceed as follows:

- The wire which is coloured GREEN and YELLOW must be connected to the terminal in the plug which is marked with the letter "E" or by the earth symbol ( $\perp$ ) or coloured GREEN or GREEN and YELLOW.
- The wire which is coloured BLUE must be connected to the terminal which is marked with the letter "N" or coloured BLACK.
- The wire which is coloured BROWN must be connected to the terminal which is marked with the letter "L" or coloured RED.

**DESCRIPTION OF YOUR REFRIGERATOR**

*See flap at the back of the manual.*

1. Shelves (The material of shelf be changed by model.) ERF-100 series: 2 shelves
2. Cover vegetable case (The material be changed by model).
3. Interior light for refrigerator compartment.
4. Multi air flow duct.
5. Refrigerator & freezer temperature control knob.
6. Vegetable case: 1 box type or 2 boxes type. In case of 1 box type must be deleted (15).
7. Rating plate. It's attached in the refrigerator compartment on the left-hand side next to the vegetable case. (with serial number).
8. Ice cube tray.
9. Case for storing & freezing.
10. Butter pocket.
11. Egg pocket.
12. Egg tray.
13. Bottle pocket.
14. R door pocket.
15. Adjustable foot.

If the terminals in the plug are unmarked or you are in any doubt as to the correct connections, consult a qualified electrician.

3. **In the UK only.** Moulded plugs:
  - Applicable only if moulded plug is fitted.
  - Should it be necessary to remove a moulded on plug from the mains cable, it should be cut off and replaced with a suitable replacement.
  - The moulded plug cannot be used for any other appliance, therefore remove the fuse and dispose immediately and safely to prevent anyone, especially children, from plugging it into a wall socket, which will create a safety hazard.

## English

- Should the mains lead ever require a replacement, it is essential that this operation be carried out by a qualified electrician and should only be replaced with a flexible cord obtained from the manufacturer.
  - After replacement of a fuse in the plug, the fuse cover must be refitted. If the fuse cover is lost a replacement cover must be obtained. The colour of the correct replacement fuse cover is that of the coloured insert in the base of the plug or the colour that is embossed in words in the base of the plug recess or elsewhere on the plug. Always state this colour when ordering a replacement fuse cover.
  - Only 13 amp. replacement fuses which are ASTA approved to BS 1362 should be fitted.
4. Check the rating plate (8) for voltage information.
  5. The socket should be easily accessible and not directly behind the appliance.
  6. Electrical connections must be made in accordance with local regulations. The appliance must be earthed as described by law (connected through a properly earthed plug and socket). The manufacturer rejects all liability for injury to persons and animals or damage to property resulting from failure to comply with this requirement.
  7. A 10A fuse or one of a higher value must be used in the socket circuit.
  8. If the appliance plug and the wall socket are incompatible, the socket must be replaced by a qualified electrician.
  9. If the supply cord is damaged, it must be replaced by the manufacturer or his service agent or a similarly qualified person in order to avoid hazard.
  10. Do not use extension leads or multiple adapters, etc.
  11. In some countries a plug has to be fitted. Make sure that the installation and electrical connections are performed by a qualified technician in compliance with the manufacturer's instructions and current local safety regulations. The wires in the mains lead are coloured in accordance with the following code:
    - green/yellow = earth
    - blue = neutral
    - brown = live.

### DISCONNECTION

**Note:** does not apply in the UK.

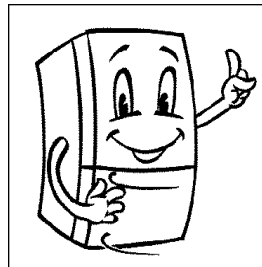
Electrical disconnection: remove the plug from the mains, or (if applicable) disconnect the two-pole circuit breaker upstream from the socket.

### PROTECTING THE ENVIRONMENT

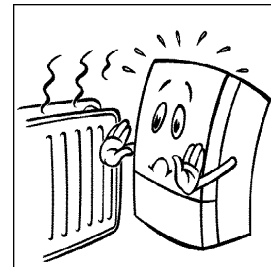
- The packaging may be completely recycled, as confirmed by the recycling symbol; follow local disposal regulations.
  - The appliance is manufactured from reusable materials.
  - When you decide to scrap this product, please check the cable to be disconnected from the mains. Then cut off the cable and dispose of the product according to local waste disposal laws.
  - This product is free of CFC's (cooling circuit contains R134a).
2. The suitable storage temperature for fresh food is provided in the "MID" position at an ambient temperature of +16 to +32°C.

### IMPORTANT

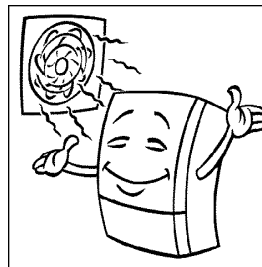
1. Although this product was carefully checked before packing, please check the product:
  - for damage;
  - for correct closing of the doors.
 Complaints must be reported to your retailer within 24 hours of delivery.
2. Installation instructions (7 drawings below).
3. Keep potentially hazardous packing materials (plastic bags, etc.) out of reach of children to prevent the risk of trapping and suffocation.



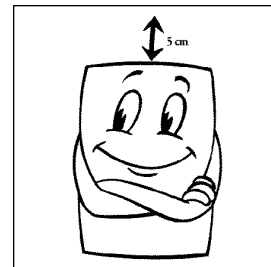
Check for damages and correct closing of the doors.



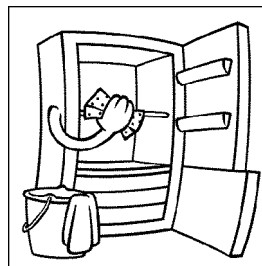
Not in the vicinity of a heat source.



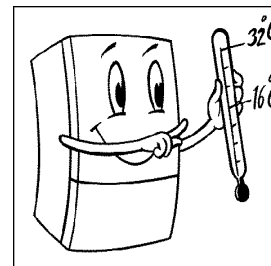
Keep room dry and well ventilated.



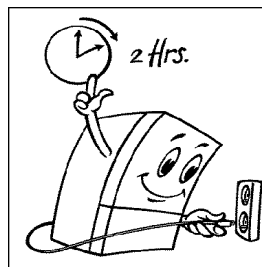
Keep more than 5cm distance space at the top for ventilation.



Clean interior with a damp cloth.

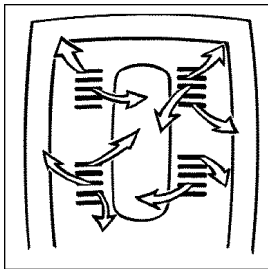


Best room temperature range - +16°C to +32°C.

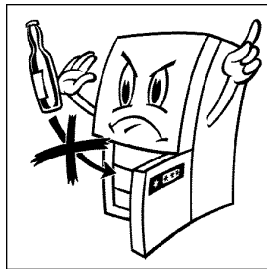


Wait 2 hours before connecting to the mains.

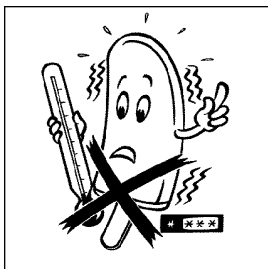
**GENERAL RECOMMENDATIONS**



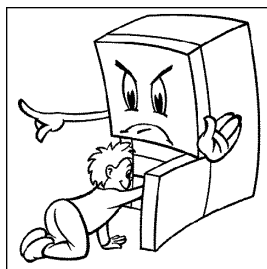
Keep air vents open.



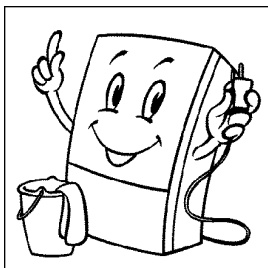
No glass bottles in the freezer compartments. The bottles might burst.



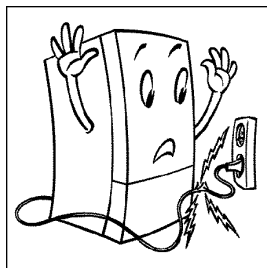
Ice cubes and ice lollies straight out of the freezer are too cold for consuming. They may cause 'cold' burns.



Do not allow children to play or hide in the refrigerator to prevent the risk of trapping and suffocation.



Always unplug before cleaning and servicing.



If the supply cord is damaged, it must be replaced by the manufacturer or its service agent or a similarly qualified person in order to avoid a hazard.

**REFRIGERATOR AND FREEZER TEMPERATURE CONTROL KNOB (5) see flap at back of manual.**

(Knob is located inside the refrigerator compartment.)

"LOW": warmer than position "MID"

"MID": normal storing temperature

"HIGH": colder than position "MID"

**Note:** When you set "refrigerator and freezer temperature control knob"(5) LOW, MID, and HIGH then the temperature of the refrigerator and freezer are automatically adjusted.

**HOW TO USE THE REFRIGERATOR COMPARTMENT**

1. Connect the lead to the mains. (At least wait 2 hours after delivery; refer to section "Before connecting to the mains") Food can be stored after 3 to 4 hours cooling.

- the interior light switches on when the door is opened;
  - the compressor operates and starts cooling;
  - turn the control knob(5) to "MID" position.
2. The suitable storage temperature for fresh food is provided in the "MID" position at an ambient temperature of 16 ~ 32°C.
  3. Refer to the section "Refrigerator and freezer temperature control knob for temperature adjustment".

**NOTES ON FREEZING AND STORAGE**

1. Follow storage times indicated by the frozen food manufacturer. Make sure that the packaging is undamaged.
2. Save energy: minimize opening of the door by storing identical food items together.
3. Items suitable for freezing: meat, poultry, fresh fish, vegetables, fruits, dairy products, bread, baked goods, pre-cooked meals.
4. Items not suitable for freezing: lettuces, radishes, grapes, whole apples and pears, fatty meats.
5. When you freeze food yourself, pack it in appropriate quantities. In order to freeze food right through do not exceed the following quantities to best preserve the quality:
  - fruit and vegetables: up to 1 kg,
  - meat: up to 2.5 kg.
6. Blanch vegetables after washing and cutting them. (2-3 minutes in boiling water; then quickly cool them down in cold water. When you use a steamer or microwave oven, follow the operating instructions).
7. Keep packs dry in order to avoid them freezing together.
8. Freeze fresh food separately from already frozen foods.
9. Do not salt or season fresh food or blanched vegetables before freezing. Other foods may be lightly salted or seasoned. The intensity of flavour of some spices can change.
10. Use materials or containers specially suitable for freezing in order to avoid loss of quality.
11. Write contents and date of freezing on the packs. Do not exceed the storage time indicated in order to preserve quality.
12. Do not freeze bottles or cans with carbonated drinks as they might burst.
13. Take out as much food as is immediately required for thawing. Prepare it as soon as possible after thawing.

**WHEN PURCHASING FROZEN FOOD**

1. Make sure that the packaging is undamaged (damage may have caused the food to deteriorate). Bulging packs or packs which are marked with liquid stains could have been improperly stored and may have been partially thawed.
2. Leave frozen food purchases until last and transport the items in insulated bags.
3. Place the items in the freezer as soon as possible.
4. Do not refreeze partially thawed food. Consume it within 24 hours.
5. Observe the date of consumption and storage information.

**CLEANING**

1. Always disconnect the appliance from the mains supply.
2. Do not use abrasives. Periodically clean with a sponge dampened in lukewarm water. A neutral pH detergent may be used. Rinse and dry with a soft cloth.

## English

3. Wipe the outside with a soft cloth dampened in water.
4. Periodically clean the front grille and the radiator at the back with a vacuum cleaner or a brush.

### PROLONGED DISUSE

1. Empty the refrigerator and freezer compartments.
2. Unplug the appliance from the mains.
3. Clean and dry both compartments.
4. Leave the doors open to prevent the formation of unpleasant odours.

### AFTER SALES SERVICE

Before contacting our After Sales Service Department:

1. Try to remedy the problem (please read section "trouble shooting guide").
2. Restart the appliance to check whether the fault repeats. If the malfunction persists, switch off the appliance and try again after an hour.
3. If the malfunction still persists, then contact our Customer Service, specifying:
  - the nature of the problem,
  - the appliance model number,
  - the service number (please see the rating plate (7)),
  - your full address, telephone number and area code.

*Note: door opening direction changes carried out by our Customer Service are not covered by the terms of guarantee.*

### TROUBLESHOOTING GUIDE

1. The appliance does not work. Check:
  - power failure,
  - properly inserted plug,
  - (if applicable) connection of the two-pole circuit breaker,
  - damage to the mains lead,
  - correct setting of the refrigerator/freezer control knob (4).
2. The temperature inside the compartments is not low enough. Check for:
  - closure of the doors,
  - installation near a heat source,
  - correct setting of the refrigerator/freezer control knob (4),
  - inhibited air circulation.

3. The refrigerator compartment temperature is too low. Check for:
  - correct setting of the refrigerator/freezer control knob (4).
4. The internal light does not work. Refer to point 1 and then:
  - unplug the appliance from the mains,
  - check the bulb and replace if necessary (max.15W).
  - to change the lamp first remove the window lamp by pushing lower part upward and pulling forward.
  - take out the lamp and replace it for a new one.
  - finally set again window lamp on its place.

### WARNING

For a correct performance of the refrigerator, both doors must be completely closed.

### DISCARD OF OLD APPLIANCES

For environmental reasons, refrigeration appliances must be disposed of properly. This applies to your old appliance, and - at the end of its service life - for your new appliance as well.

*Warning! Before discarding of old appliances you should make them inoperative. Disconnect plug from mains, cut the power cord, remove any lock. This eliminates the danger that children lock themselves into the appliance or any other dangerous situation.*

### DISCARD:

The appliance may not be eliminated with the rest of garbage or bulky refuse. The refrigerant circuit, especially the heat exchanger at the back of the appliance, may not be damaged. You can obtain information about collection schedules or locations in your town hall or other authorities.

*Note: The edge of the refrigerator door and the front side of the refrigerator cabinet may be hot. This is normal and intended to prevent the formation of condensation.*

*Gurgling noises etc. inside the refrigerating circuit are normal.*

# ERF-100

## Refrigerator

HIGH	1°C
MID	3°C
LOW	5°C

## Cold meats compartment

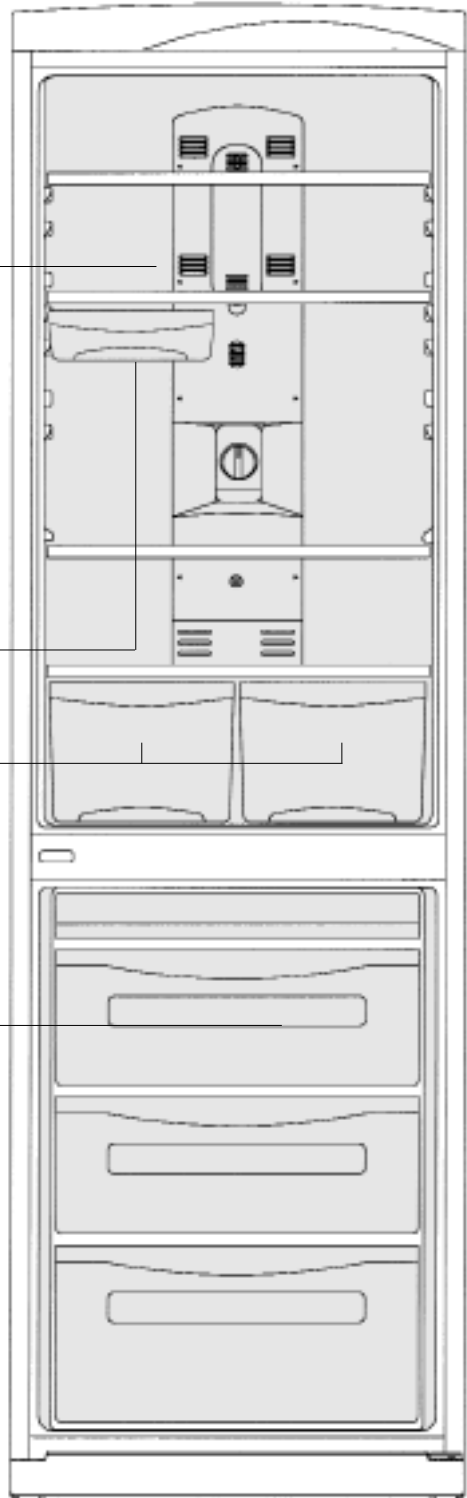
2°C ~ 2°C

## Vegetables compartment

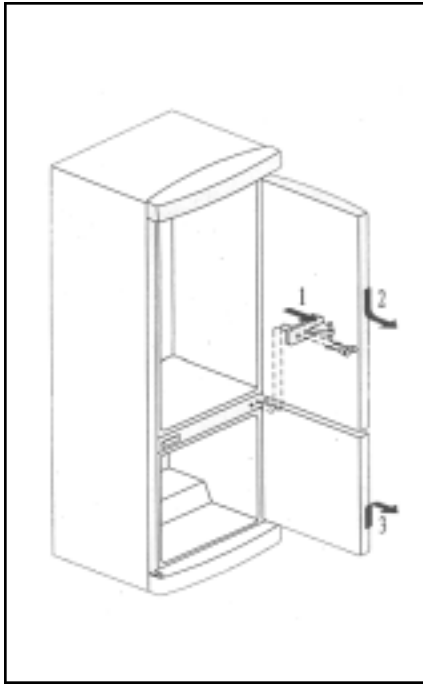
T<sup>a</sup> 0C ~ 5° C

## Freezer

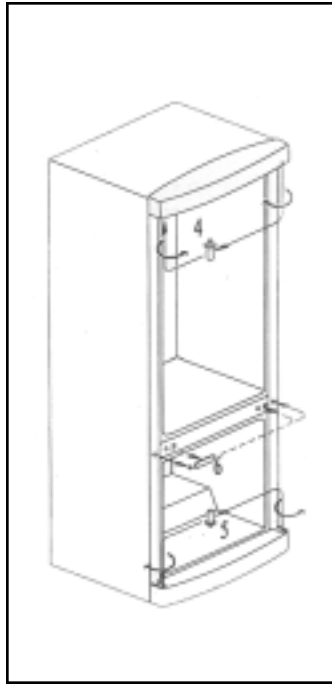
HIGH	-25°C
MID	-20°C
LOW	-18°C



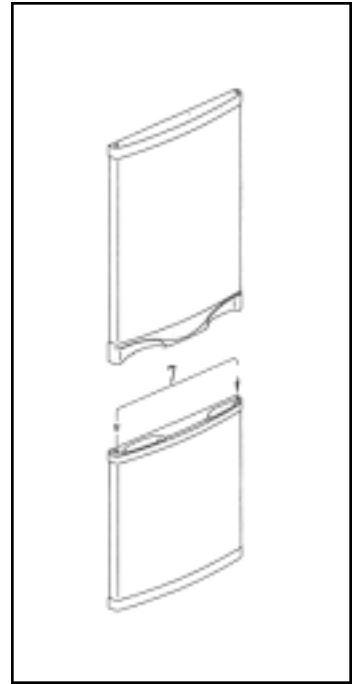
- How to reverse doors in 5 steps.(Hidden Handle).



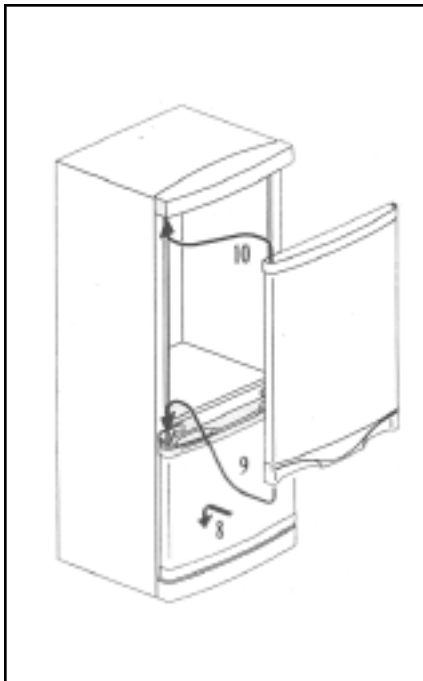
**1**



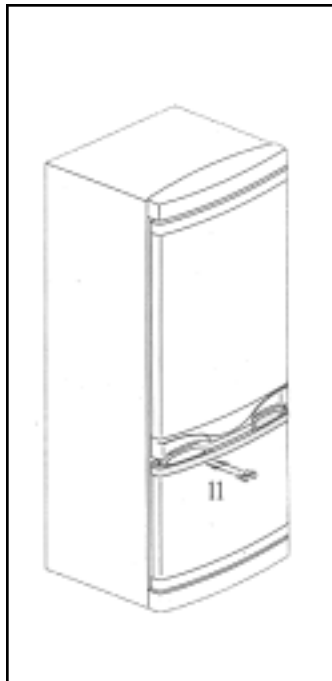
**2**



**3**



**4**



**5**

- How to mount handgrips.

## Free Manuals Download Website

<http://myh66.com>

<http://usermanuals.us>

<http://www.somanuals.com>

<http://www.4manuals.cc>

<http://www.manual-lib.com>

<http://www.404manual.com>

<http://www.luxmanual.com>

<http://aubethermostatmanual.com>

Golf course search by state

<http://golfingnear.com>

Email search by domain

<http://emailbydomain.com>

Auto manuals search

<http://auto.somanuals.com>

TV manuals search

<http://tv.somanuals.com>