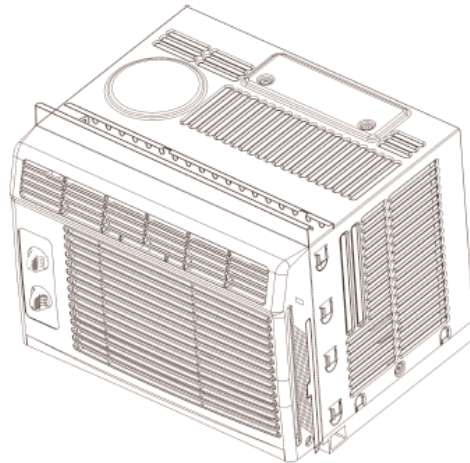




Owner's Use and Care Guide
Guide d'utiliser et soin de Propriétaire

Model • Modèle
DAC 5209M



CAUTION: Read and follow all safety rules and operating instructions before first use of this product.

MISE EN GARDE : Veuillez lire attentivement les consignes de sécurité et les directives d'utilisation avant l'utilisation initiale de ce produit.

AIR CONDITIONER
Table of contents 1

CLIMATISEUR
Table des matières 14

KEEP THESE INSTRUCTIONS FOR FUTURE REFERENCE: If the air conditioner changes ownership, be sure this manual accompanies the unit.

CONSERVER CES INSTRUCTIONS POUR CONSULTATION ULTÉRIEURE: En cas de revente du climatiseur, ce manuel doit être inclus avec l'appareil.

TABLE OF CONTENTS

UNIT SPECIFICATIONS	2
PART IDENTIFICATION	3
IMPORTANT SAFETY INFORMATION		
<i>Electrical Specifications</i>	3
<i>Energy Saving Tips</i>	4
INSTALLATION	5-6
<i>Location</i>	5
OPERATING INSTRUCTIONS		
<i>Selector Switch</i>	7
<i>Thermostat</i>	7
CARE AND MAINTENANCE	8
TROUBLESHOOTING	9
<i>Warranty</i>	10

WELCOME

Thank you for choosing a Danby Room Air Conditioner to cool your home. This Owner's Use and Care Guide will provide you with valuable information necessary for the proper care and maintenance of your new appliance. If properly maintained, your Danby appliance will give you many years of trouble free operation. Please take a few moments to read the instructions thoroughly and familiarize yourself with all of the operational aspects of this appliance.

NOTE: This unit is NOT designed for "Through-the-wall" installation.

For easy reference, may we suggest you attach a copy of your sales slip/receipt to this page, along with the following information, located on the manufacturers nameplate on the rear panel of the unit.

Model Number: _____

Serial Number: _____

Date of Purchase: _____

This information will be necessary if your unit requires servicing and/or for general inquiries. To contact a Customer Service Representative, call Danby TOLL

FREE: 1-800-26-**Danby**[®] (1-800-263-2629)



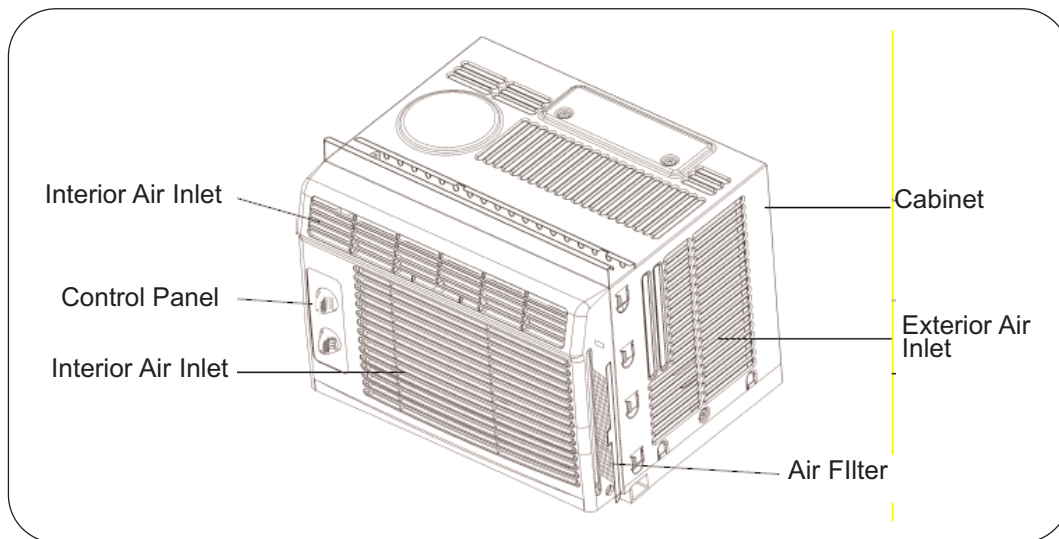
CAUTION: Do not leave a room air conditioner unattended in a room where people or animals who cannot react to a failed unit are located. A failed unit can cause extreme overheating and fire in an enclosed, unattended space.

UNIT SPECIFICATIONS

Model Number	DAC5209M
Voltage/Frequency	115V-60Hz
Noise Level	53 dB
Fan/Cooling Speeds	2
Cooling Capacity	5200 BTU
Energy Efficiency Rating (EER)	9.7
Input Wattage	515
Unit Dimensions (W) x (D) x (H)(inches)	16.5"x 13.8"x 12.4"
Window Kit Dimensions Max Width	37.8" (960mm)
Min. Width	23.22" (590mm)
Min. Height	12.8" (325mm)
Unit Weight	15.5 kg (34.1 lbs)

NOTE: Continuing research results in steady improvement. Therefore, this information and these specifications are subject to change without notice.

PART IDENTIFICATION



IMPORTANT SAFETY INFORMATION

READ ALL SAFETY INFORMATION BEFORE USING


ELECTRICAL SPECIFICATIONS

- 1) All wiring must comply with local and national electrical codes and must be installed by a qualified electrician. If you have any questions regarding the following instructions, contact a qualified electrician.
- 2) Check available power supply and resolve any wiring problems BEFORE installing and operating this unit.
- 3) This 115V air conditioner uses 10.0 or less nameplate amps and may be used in any properly wired, general purpose household receptacle. See Table 1 for specifications for individual branch circuit.
- 4) For your safety and protection, this unit is grounded through the power cord plug when plugged into a matching wall outlet. If you are not sure whether your wall outlet is properly grounded, please consult a qualified electrician.
- 5) The wall outlet must match the 3-prong plug on the service cord supplied with the unit. DO NOT use plug adapters. See Table 2 for receptacle and fuse information. If it is necessary to use an extension cord to connect your air conditioner, use an approved "air conditioner" extension cord only (available at most local hardware stores).
- 6) The rating plate on the unit contains electrical and other technical data. The rating plate is located on the right side of the unit, above the power cord.

TABLE 1

Suggested Individual Branch Circuit	
Nameplate Amps	*AWG Wire Size
5.0 to 10	18
AWG- American Wire Gauge	
*Based on copper wire at 60°C temperature rating.	

TABLE 2

Receptacle and Fuse Types	
Rated Volts	120
Amps	10
Wall Outlet	
Fuse Size	15
Time Delay Fuse (or Circuit Breaker)	Plug Type

IMPORTANT SAFETY INFORMATION

POWER SUPPLY CORD

The power cord supplied with this air conditioner contains a device that senses damage to the power cord. To test if your power cord is working properly, you must do the following:

- 1) Connect the power supply cord to an electrical outlet.
- 2) The power supply cord has two buttons located on the head of the plug. One button is marked "TEST", and the other is marked "RESET". Press the "TEST" button; you will hear a click as the "RESET" button pops out.
- 3) Press the "RESET" button; you will hear a click as the button engages.
- 4) The power supply cord is now energized and supplying electricity to the air conditioner (on some products this is also indicated by a light on the plug head).

NOTE: The power cord supplied with this air conditioner contains a current leakage detection device designed to reduce the risk of fire. In the event the power supply cord is damaged, it cannot be repaired and must be replaced with a new cord from the product manufacturer.

- Under no circumstances should this device be used to turn the unit on or off.
- The "RESET" button must always be pushed in (engaged) for correct operation.
- The power supply cord must be replaced if it fails to reset when the "TEST" button is pushed in.

ENERGY- SAVING TIPS

Your Danby appliance is designed to be highly efficient in energy savings. Follow these recommendations for greater efficiency.

- 1) Select a thermostat setting that suits your comfort needs and leave at that chosen setting.
- 2) The filter is very efficient in removing airborne particles. Keep the air filter clean. Normally, filters should be cleaned every 2 weeks. More frequent cleaning may be necessary depending on indoor air quality.
- 3) Use drapes, curtains or shades to keep direct sunlight from penetrating and heating room, but do not allow drapes or curtains to obstruct the air flow around the unit.
- 4) Start your air conditioner before the outdoor air becomes hot and uncomfortable, to avoid an initial period of discomfort while the unit is cooling off the room.
- 5) When outdoor temperatures are cool enough, use HIGH or LOW FAN only. This circulates indoor air, providing some cooling comfort, and utilizes less electricity than when operating on a cooling setting.

INSTALLATION



ELECTRIC SHOCK HAZARD: To avoid the possibility of personal injury, disconnect power to the unit before installing or servicing.

TOOLS NEEDED FOR INSTALLATION:

Screw Drivers: Both Phillips and flat head

Power Drill: 1/8 inch diameter drill bit

Pencil

Scissors

Measuring Tape

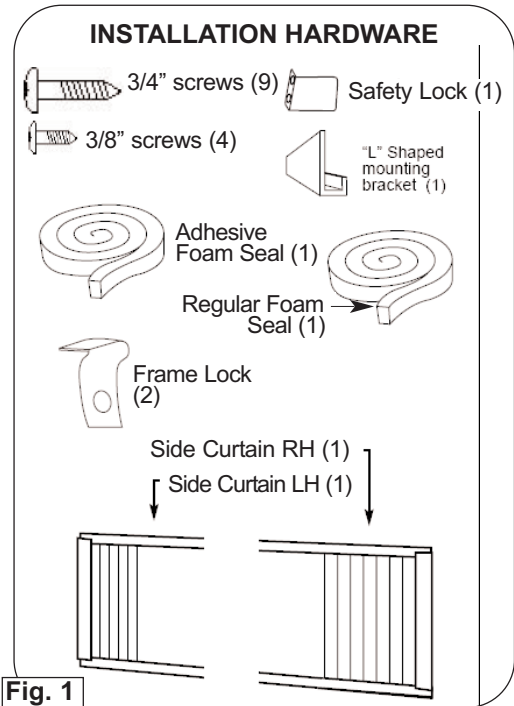
Carpenters Level

Your Room Air Conditioner is designed for easy installation in a single or double-hung window. This unit is **NOT** designed for vertical (slider type) windows and/or through-the-wall applications.

NOTE: Save the shipping carton and packing materials for future storage or transport of the unit. From carton, remove the plastic bag containing the installation hardware kit necessary for the installation of your air conditioner. Please check the contents of hardware kit against the corresponding model check list, prior to installation of the unit. **See Fig. 1.**



CAUTION: Because the compressor is located on the controls side of the unit (left side), this side will be heavier and more awkward to manipulate. Inadequate support on control side of the unit can result in personal injury and damage to your unit and property. Therefore, it is recommended that you have someone assist you during the installation of this unit.



LOCATION

A) This room air conditioner is designed to fit easily into a single or double hung window. However, since window designs vary, it may be necessary to make some modifications for safe, proper installation.

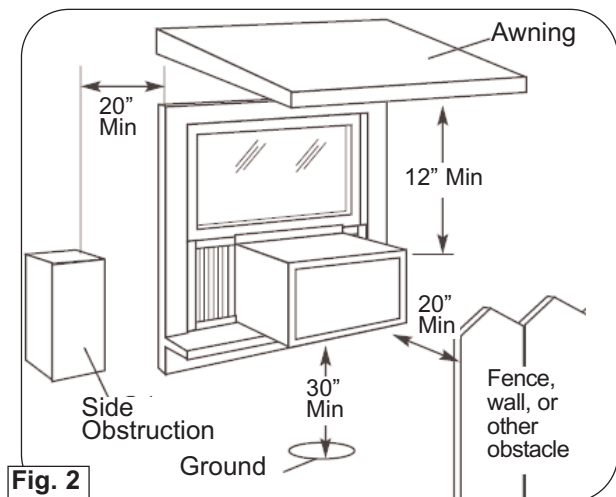
B) Make sure window and frame are structurally sound and free from dry and rotted wood.

C) For maximum efficiency, install the air conditioner on a side of the house or building which favours more shade than sunlight. If the unit is in direct sunlight, it is advisable to provide an awning over the unit.

D) Provide sufficient clearance around the cabinet to allow for ample air circulation through the unit (See Fig. 2). The rear of the unit should be outdoors and not in a garage nor inside a building. Keep unit as far away as possible from obstacles/obstructions and at least 30" above the floor or ground. Curtains and other objects within a room should be prevented from blocking the air flow.

E) Be certain the proper electrical outlet is within reach of the installation. Use only a single outlet circuit rated at 15 amps. All wiring should be in accordance with local and national electrical codes.

F) DO NOT install unit where leakage of combustible gas is suspected. Your air conditioner may fail to operate in air containing oils (including machine oils), sulfide gas, near hot springs, etc.



Your unit is designed to evaporate condensation under normal conditions. However, under extreme humidity conditions, excess condensation may cause basepan to overflow to the outside. The unit should be installed where condensation run-off cannot drip on pedestrians or neighboring properties

INSTALLATION (cont'd)

1) Assembly of the Upper Channel to Cabinet.

- “L” Shaped Top Channel: Install the “L” shaped channel to the top of the cabinet as shown in Fig. 3, using four (4) 3/8” screws.

2) Assembly of the Side Curtains to Cabinet.

- Extend the shutter from the shutter frame and slide it into the shutter tabs on the side channel of the air conditioner, as shown in Fig. 4.
- Slide the shutters into the top (“L” Shaped) and bottom (“U” Shaped) channels. The shutters are identified (on frame) as left and right.

3) Completing the Installation

- Cut the foam (non adhesive) sealing strip to fit the area of the window sill that the air conditioner will rest on.

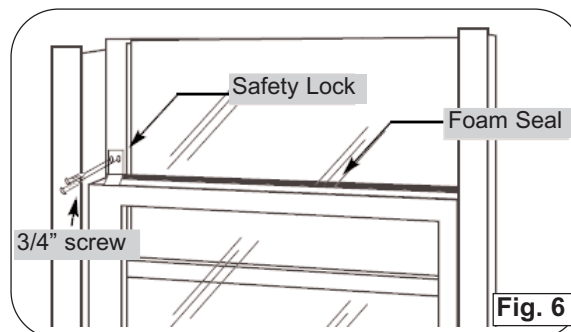
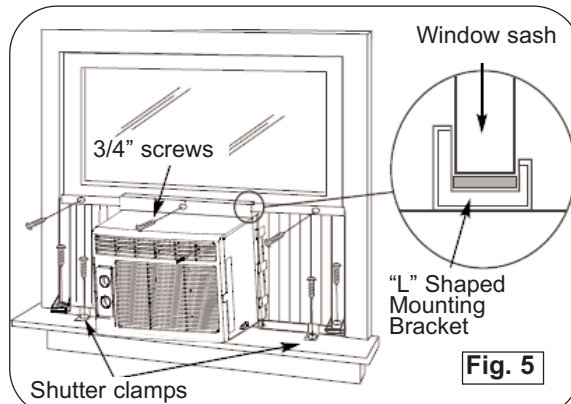
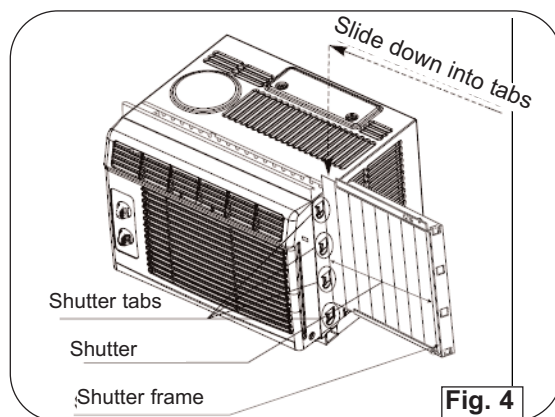
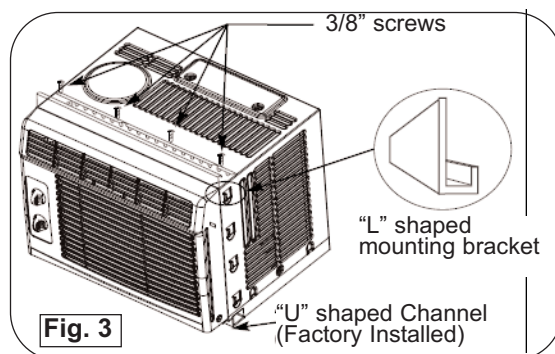
- Carefully place the air conditioner into the window with the “L” shaped mounting bracket (on top) positioned in front of the upper window sash. The bottom of the cabinet should be positioned on the “recessed” portion of the window frame. Pull the window down until it rests just behind the front flange of the (top) “L” shaped mounting bracket (See Fig. 5).

- Expand the shutter frames (fully) on each side and secure the top of the frames to the window sash using one 3/4” screw on each side and one in the “L” shaped mounting bracket (Fig. 5).

- Secure the shutter clamp on each side of the (lower) shutter and secure to window sill using one 3/4” screw on each side (Fig. 5).

- Place the second foam sealing strip to fit the opening between the inside and outside windows, then attach the safety lock to the outside window frame using one 3/4” screw (See Fig. 6).

PLEASE NOTE: Window applications come in a variety of different styles. Therefore, it may be necessary to modify or improvise your particular installation.





OPERATING INSTRUCTIONS



SELECTOR SWITCH

The selector switch controls fan speed and/or cooling speed. To set desired cooling temperature, simply rotate the SELECTOR knob to the appropriate setting.

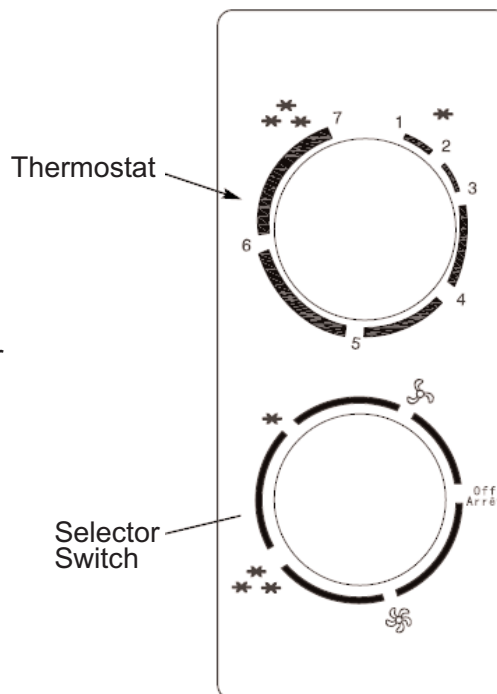
FAN SPEEDS

- **LOW FAN**  will circulate air at minimum speed without cooling.
- **HIGH FAN**  will circulate air at maximum speed without cooling.

COOLING MODES

- **LOW COOL**  provides cooling with minimum air circulation. Recommended for night-time use.
- **HIGH COOL**  provides cooling with maximum air circulation. Recommended for quick cooling or for extremely hot days. Once room is cooled, reduce setting to **LOW COOL**.
- **OFF** shuts-down the unit completely

NOTE: Always allow 3 minutes before switching from one mode to another.



THERMOSTAT

The thermostat automatically controls the (compressor) cooling cycle and maintains the selected room temperature. To set the thermostat, rotate the thermostat knob to the desired cooling setting (1 warmest - 7 coldest). The fan motor will continue to operate after the compressor (cooling) has cycled off. This is normal.



When using **FAN** control, turn selector switch slowly, allowing unit to adjust. When using **THERMOSTAT**, be sure to allow three minutes before changing temperature. Adjusting too quickly may cause compressor to overload.

CARE AND MAINTENANCE

When cleaning the air conditioner, be sure to turn the **SELECTOR** knob to the “**OFF**” position and **disconnect the power cord from the electrical outlet**.

- 1) **DO NOT** use gasoline, benzene, thinner, or any other chemicals to clean this unit, as these substances may cause damage to the finish and deformation of plastic parts.
- 2) Never attempt to clean the unit by pouring water directly over any of the surface areas, as this will cause deterioration of electrical components and wiring insulation.

AIR FILTER

If the air filter becomes clogged with dust, air flow is obstructed and reduces efficiency. The air filter should be cleaned every 2 weeks.

AIR FILTER REMOVAL:

The air filter is located behind the air intake front grill. To remove the air filter, grasp the filter handle on the front of the grill and slide it out to the right.

To reinstall the air filter, reverse the above procedures. The air filter must be vacuumed or washed by hand in warm water. Dry thoroughly before re-installing.

CLEANING AIR FILTER:

- 1) Use a vacuum cleaner with soft brush attachment
- 2) Wash the filter in lukewarm water below 40°C (104°F): To get best results, wash with soapy water or a neutral cleaning agent.
- 3) Rinse the filter with clean water and dry thoroughly before re-installing.



IMPORTANT: DO NOT forget to install the air filter. If the air conditioner is left to operate without the air filter, dust is not removed from the room air and may result in machine failure. When the air inlet grill and cabinet are dirty, wipe with lukewarm water (below 40°C). Use of a mild detergent is recommended.

END OF SEASON CARE

- 1) Operate the fan alone for half a day to dry out the inside of the unit.
- 2) Turn off power and remove plug from wall socket.
- 3) Clean filter.
- 4) Store (covered) air conditioner in a dry location.



CAUTION: When installing and/or removing the air conditioner from the window, ensure that caution is taken to prevent it from falling backward. It is recommended that installation or removal of the air conditioner is done with assistance to prevent injury to persons or damage to the unit or property.

TROUBLESHOOTING

Occasionally, a problem may occur that is minor, and a service call may not be necessary. Use this troubleshooting guide for a possible solution. If the unit continues to operate improperly, call an authorized service depot or Danby's Toll Free Number for assistance:
1-800-26-Danby® (1-800-263-2629)

PROBLEM	POSSIBLE CAUSE	SOLUTION
<ul style="list-style-type: none"> • Air conditioner will not operate. 	<ul style="list-style-type: none"> • No power to the unit. 	<ul style="list-style-type: none"> • Check connection of power cord to power source • Check fuse or circuit breaker • Set SELECTOR SWITCH to position other than "OFF" • The power cord "RESET" button must always be pushed in (engaged) for correct operation.
<ul style="list-style-type: none"> • Inefficient or no cooling. 	<ul style="list-style-type: none"> • Dirty air filter • Unit size inappropriate for application • Blocked air flow • Power interruption, settings changed too quickly, or compressor overload tripped. 	<ul style="list-style-type: none"> • Clean/replace air filter • Check with dealer to determine proper unit capacity for application • Remove obstruction from grill or outdoor louvres • Turn the unit off and wait 5 minutes before attempting to restart.
<ul style="list-style-type: none"> • Noisy unit 	<ul style="list-style-type: none"> • Loose parts • Inadequate support 	<ul style="list-style-type: none"> • Tighten loose parts • Provide additional support to unit
<ul style="list-style-type: none"> • Odors 	<ul style="list-style-type: none"> • Formation of mold, mildew, or algae on wet surfaces. 	<ul style="list-style-type: none"> • Clean unit thoroughly • Place algaecide tablet in base pan
<ul style="list-style-type: none"> • Water dripping outside 	<ul style="list-style-type: none"> • Hot and humid weather 	<ul style="list-style-type: none"> • Condensation run-off is normal under these conditions
<ul style="list-style-type: none"> • Water dripping inside 	<ul style="list-style-type: none"> • Unit is not properly angled to allow water to drain outside 	<ul style="list-style-type: none"> • Unit must be installed on an angle for proper condensation run-off. Check the unit and make any adjustments.
<ul style="list-style-type: none"> • Ice or frost build-up 	<ul style="list-style-type: none"> • Low outside temperature • Unit air filter is dirty 	<ul style="list-style-type: none"> • When outdoor temperature is approximately 18.3°C (65°F) or below, frost may form when unit is in cooling mode. Switch unit to FAN (only) operation until frost melts. • Remove and clean filter.

- NOTES:** 1) If circuit breaker is tripped repeatedly, or fuse is blown more than once, contact a qualified technician
 2) When unit is installed using proper installation steps, unit is properly tipped toward the outdoors to allow for condensation run-off.

TABLE DES MATIÈRES

SPÉCIFICATIONS DE L'UNITÉ	12
IDENTIFICATION DE PARTIE	13
CONSIGNES DE SÉCURITÉ IMPORTANT		
<i>Spécifications Électrique</i>	13
<i>Suggestions pour économiseur de l'énergie</i>	14
INSTALLATION	15-16
<i>Endroit</i>	15
CONSIGNES D'UTILISATION		
<i>Fonction de Selection</i>	17
<i>Thermostat</i>	17
SOINS ET ENTRETIEN	18
DÉPANNAGE	19
<i>Garantie</i>	20

BIENVENUE

Nous vous remercions d'avoir choisi un climatiseur de chambre Danby pour refroidir votre logement. Ce manuel d'utilisation et d'entretien fournit les renseignements nécessaires pour prendre soin et entretenir votre nouveau climatiseur de chambre. S'il est adéquatement entretenu, votre climatiseur vous donnera de nombreuses années d'utilisation sans problème. Pour éviter toute difficulté d'installation, veuillez lire les présentes instructions, complètement, avant d'installer et de faire fonctionner votre appareil.

REMARQUE: Cet appareil n'a PAS été conçu pour une installation à travers une paroi.

À titre de référence, vous pouvez agraffer à cette page une copie de votre fiche d'achat de l'appareil. Inscrivez les renseignements suivants fournis (sur la plaque signalétique du fabricant sur le côté droit de l'appareil au-dessus du cordon d'alimentation). Vous aurez besoin de ces renseignements si vous contactez un représentant du Service à la clientèle.

Numéro de modèle: _____

Numéro de série : _____

Date d'achat : _____

Ces renseignements seront requis si le service est demandé et/ou si vous désirez obtenir des renseignements supplémentaires. Pour consulter un Représentant du service à la clientèle, composez le NUMÉRO D'APPEL SANS FRAIS suivant:

1-800-26- **Danby**[®]
(1-800-263-2629)



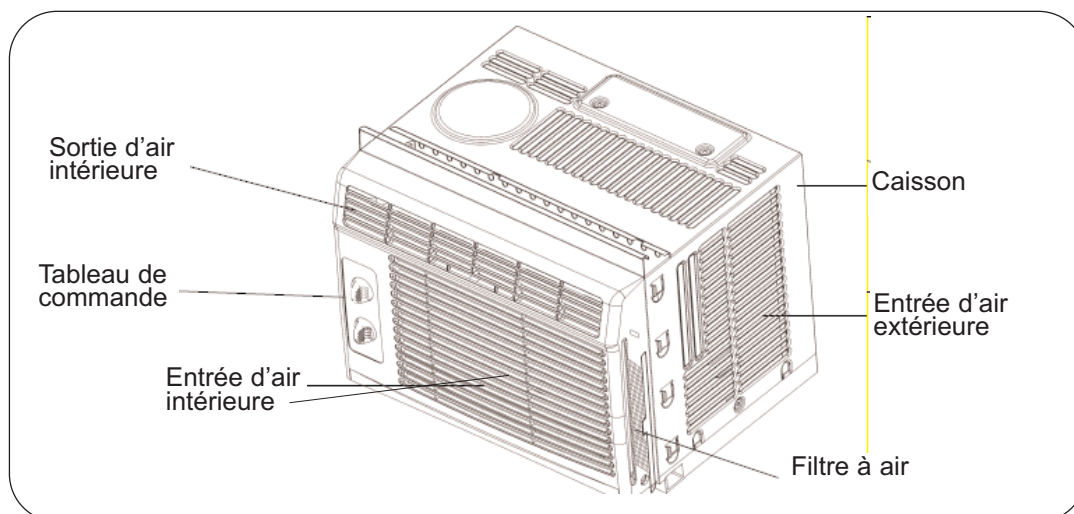
MISE EN GARDE: Ne laissez pas un climatiseur de chambre sans surveillance dans un espace où se trouvent des gens ou des animaux qui ne peuvent pas réagir à un appareil défaillant. Un appareil défaillant peut causer une surchauffe extrême ou entraîner la mort dans un tel espace confiné et sans surveillance.

SPÉCIFICATIONS DE L'UNITÉ

Modèle	DAC5209M
Source d'alimentation	115V-60Hz
Niveau de bruit	53 dB
Vitesse de ventilateur/refroidissement	2/2
Capacité de climatisation	5200 BTU
Régime nominal d'efficacité énergétique (EER)	9.7
Puissance d'entrée	515
Dimensions (lgr) x (pfd) x (htr)(pouces)	16.5"x 13.8"x 12.4"
Dimensions ensemble fenêtre (lgr max.)	37.8" (960mm)
(lgr min.)	23.22" (590mm)
(htr min.)	12.8" (325mm)
Poids de l'unité	15.5 kg (34.1 lbs)

REMARQUE: La recherche ensuit toujours des améliorations. Par conséquent, ces informations et spécifications peuvent changer sans préavis.

IDENTIFICATION DE PARTIE



CONSIGNES DE SÉCURITÉ IMPORTANT

LISEZ TOUTE L'INFORMATION DE SÉCURITÉ AVANT UTILISATION

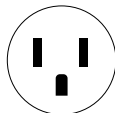
SPECIFICATIONS ELECTRIQUE

- 1) Tous les câblages doivent être conformes aux codes électriques locaux et nationaux et doivent être installés par un électricien qualifié. Si vous avez la moindre question au sujet des instructions ci-dessous, contactez un électricien qualifié.
- 2) Vérifiez la fourniture d'alimentation électrique disponible et résolvez tout problème de câblage AVANT d'installer et de faire fonctionner cet appareil.
- 3) Ce climatiseur à 115V utilise 10 ampères ou moins de puissance nominale et peut être utilisé dans toute prise de courant domestique de but général adéquatement câblée. Voir le Tableau 1 pour les spécifications pour circuit de dérivation individuel.
- 4) Pour votre sécurité et votre protection, cet appareil est mis à la masse par la fiche du cordon d'alimentation lorsqu'elle est branchée dans une prise murale qui lui correspond. Si vous n'êtes pas certain que votre prise de courant murale est mise à la masse adéquatement, veuillez consulter un électricien qualifié.
- 5) La prise murale doit correspondre à la fiche à 3 broches sur le cordon de service fourni avec l'appareil. N'utilisez PAS de fiches d'adaptation. Voir Tableau 2 pour les renseignements sur les prises de courant et les fusibles. S'il est nécessaire d'utiliser une rallonge électrique pour brancher votre climatiseur, utilisez une rallonge électrique approuvée pour « climatiseur », exclusivement (disponible dans la plupart des magasins locaux de quincaillerie).
- 6) La plaque signalétique sur l'appareil contient des données électriques et techniques; elle se trouve sur le côté droit de l'appareil, au-dessus du cordon d'alimentation.

TABLEAU 1

Circuit de distribution individuel suggéré	
Ampères de plaque d'identification 5,0 à 10	Calibre de fil AWG* 18
AWG—American Wire Gauge (Calibre de fil américain) *Basé sur le fil en cuivre à une température nominale de 60° C	

TABLEAU 2

Types de fusibles et de réceptacles	
Tension nominale	120
Ampères	10
Prise de courant	
Intensité de fusible	15
Fusible temporisé (ou disjoncteur de circuit)	Type fiche

MISE EN GARDE: Ne jamais laisser cet appareil en marche dans un endroit fermé où des personnes ou animaux qui ne peuvent pas réagir à une défektivité de l'appareil se trouvent. Un appareil en panne peut occasionner la surchauffe extrême de cet appareil ou la mort dans un espace fermé non surveillé.

CONSIGNES DE SÉCURITÉ IMPORTANT

CORDON D'ALIMENTATION

Le cordon d'alimentation fourni avec cet air conditionné contient un dispositif qui détecte les dommages au cordon. Pour tester si votre cordon d'alimentation fonctionne adéquatement, vous devez faire ce qui suit :

- 1) Branchez le cordon d'alimentation à une prise d'alimentation électrique.
- 2) Le cordon d'alimentation possède deux boutons situés sur la tête de la fiche. L'un des boutons est identifié par 'TEST' et l'autre bouton par 'RESET'. Appuyez sur le bouton 'TEST' et vous entendrez un déclic puisque le bouton 'RESET' sera ressorti.
- 3) Appuyez sur le bouton 'RESET' et vous entendrez un déclic lorsque le bouton sera enfoncé.
- 4) Le cordon d'alimentation est maintenant alimenté et il fournit de l'électricité à l'air conditionné. (Sur certains produits, ceci sera aussi indiqué par une lumière sur la tête de la fiche).

Le cordon d'alimentation fourni avec cet air conditionné contient un dispositif de détection de fuite de courant conçu pour réduire les risques d'incendie. Veuillez vous référer à la section 'Cordon d'alimentation' pour plus de détails. Advenant le cas que le cordon d'alimentation soit endommagé, il ne peut être réparé et doit être remplacé avec un nouveau cordon provenant du fabricant.

- Ce dispositif ne devrait être utilisé sous aucune circonstance pour mettre en marche ou arrêter l'unité.
- Le bouton de 'RESET' doit toujours être enfoncé pour un fonctionnement normal.
- Le cordon d'alimentation doit être remplacé s'il ne se réinitialise pas lorsque le bouton 'TEST' est enfoncé.

SUGGESTIONS POUR L'ÉCONOMIE DE L'ÉNERGIE

Votre appareil ménager Danby est conçu pour l'efficacité en économie de l'énergie. Pour le rendement maximal, observer les recommandations qui suivent.

- 1) Choisir un réglage du thermostat qui répond à vos besoins de confort et le laisser au réglage choisi.
- 2) Le filtre à air est très efficace pour éliminer les particules qui flottent dans l'air. Conserver le filtre à air propre en tout temps.
- 3) Utiliser des draperies, des rideaux ou des stores pour prévenir la pénétration et le réchauffement de la pièce par les rayons directs du soleil, mais ne pas permettre la restriction de la circulation d'air autour de l'unité par les draperies ou les rideaux.

4) Activer votre climatiseur avant que la température de l'air extérieur ne soit très chaude et inconfortable. Ceci préviendra une période initiale d'inconfort avant que l'unité ne puisse refroidir la pièce. L'usage de la caractéristique de **MINUTERIE** programmable d'arrêt et de mise en marche automatique représente un important avantage à cet effet si elle est utilisée à pleine capacité.

5) Quand les températures externes sont suffisamment froides, placer le climatiseur hors de service et utiliser le **MODE DE VENTILATEUR** à la position **HAUTE, MOYENNE ou BAS**. Ceci fait circuler l'air à l'intérieur de la pièce pour fournir un certain confort de climatisation en utilisant moins d'électricité.

INSTALLATION



RISQUE DE CHOC ÉLECTRIQUE: Pour éviter la possibilité de blessures corporelles, débrancher l'alimentation de courant à l'unité avant d'entreprendre l'installation ou le service.

Outils nécessaires pour installation

Tournevis à tête Phillips et plate

Perceuse électrique Mèche de 1/8 po de diam.

Crayon Ruban à mesure

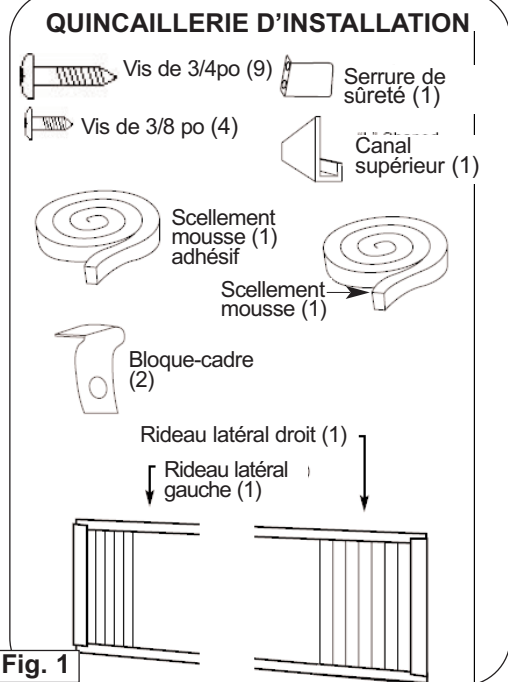
Ciseaux Clé réglable

Votre climatiseur de chambre a été conçu pour une installation facile dans une fenêtre à châssis à guillotine simple ou double. Cet appareil n'a pas été conçu pour des fenêtres verticales (de type coulissant) ou pour être installé à travers une paroi.

REMARQUE: Conservez le carton d'expédition et le matériel d'emballage pour futur entreposage ou transport de l'appareil. Ôtez l'appareil du carton, le sac en plastique qui contient la trousse de quincaillerie nécessaire pour l'installation de votre climatiseur. Veuillez vérifier le contenu de la trousse de quincaillerie d'installation en le comparant à la liste de vérification du modèle correspondant, et ce, avant l'installation de l'appareil. Voir Fig. 1.



MISE EN GARDE: Comme compresseur se trouve du côté des commandes de l'unité (côté droit), ce côté est plus lourd et plus difficile à manipuler. Un soutien inapproprié du côté des commandes de l'appareil peut causer des blessures et endommager l'appareil et d'autres biens mobiliers. C'est pourquoi il est recommandé que quelqu'un vous aide au cours de l'installation de cet appareil.



ENDROIT

A) Ce climatiseur pour chambre a été conçu pour être installé facilement dans une fenêtre à châssis à guillotine simple ou double. Cependant, comme le design de la fenêtre peut varier, il peut être nécessaire d'y faire quelques modifications pour une installation sécuritaire et appropriée.

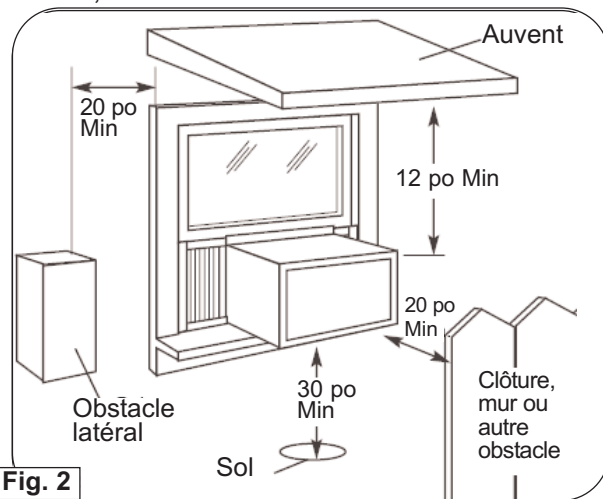
B) Assurez-vous que la fenêtre et son châssis sont structurellement solides et exempts de bois sec et pourri.

C) Pour un maximum d'efficacité, installez le climatiseur sur le côté de la maison ou de l'immeuble qui se trouve plus souvent à l'ombre qu'au soleil. Si l'appareil est directement sous les rayons du soleil, il est recommandable d'installer un auvent pour protéger l'unité.

D) Laissez suffisamment d'espace libre autour du caisson pour permettre une ample circulation d'air à travers l'appareil. Voir Fig. 2. L'arrière de l'appareil doit donner sur l'extérieur de la maison et non pas dans un garage ou à l'intérieur d'un immeuble. Tenez l'appareil aussi loin que possible de tout obstacle ou obstruction et à au moins 30 po au-dessus du plancher ou du sol. Il ne faut pas que les rideaux ou d'autres objets à l'intérieur de la pièce puissent bloquer le flux d'air.

E) Assurez-vous que la prise électrique appropriée se trouve à la portée de l'installation. N'utilisez qu'un circuit à prise unique calculé à 15 ampères. Tout le câblage doit être conforme aux codes électriques locaux et nationaux.

F) N'installez PAS l'appareil à un endroit où on soupçonne une fuite de gaz combustibles. Votre climatiseur peut tomber en panne dans une atmosphère qui contient des huiles (y compris des huiles pour machines), des gaz sulfurés, ou s'il est près de sources d'eau chaude, etc.



Votre appareil a été conçu pour que la condensation s'évapore dans des conditions normales. Cependant, en présence d'une humidité extrême, un surplus de condensation peut provoquer un débordement de la cuvette de base vers l'extérieur. L'appareil doit être installé de telle sorte que l'écoulement de la condensation ne se déverse pas sur des passants ou sur des propriétés avoisinantes.

INSTALLATION (suite)

1) Montage de canaux supérieur sur le caisson.

- Canal supérieur en forme de "L": Installez le canal en forme de "L" au-dessus du caisson tel que montré à la Fig. 3, un utilisant quatre (4) vis de 3/8 po.

2) Montage des rideaux latéraux au caisson.

- Étendez les volets et glissez-les dans les support de volets sur le canal latéral du climatiseur comme montré dans Fig. 4.
- Faites glisser les cadre des volets dans les canaux supérieur (en forme de "L") et inférieur (en forme de "U") Ces volets sont identifiés (sur le cadre) en tant que volets gauches et droits.

3) Pour compléter l'installation

- Coupez la lisière à calfeutrer en mousse (non adhésif) pour qu'elle se fixe adéquatement au dessous du bas du cadre de la fenêtre.
- Placez le climatiseur dans la fenêtre avec le canal de montage en forme de "L" (en haut) positionné à l'avant du cadre supérieur de la fenêtre. Le bas du caisson doit être positionné dans le bas du cadre de la fenêtre. Tirez la fenêtre vers le bas jusqu'à ce qu'elle repose juste derrière le rebord frontal du canal de montage en forme de "L" (supérieur). Voir Fig. 5.
- Étendez les cadres des volets (complètement) de chaque côté, et fixez le haut des structures au cadre de la fenêtre en utilisant une vis de 3/4 po et une rondelle de sécurité sur chaque côté. Fig. 5
- Coupez la bande mousse **adhésif** afin qu'elle s'ajuste adéquatement à l'ouverture entre le haut de l'intérieur de sûreté sure le cadre du fenêtre extérieur en utilisant une vis de 3/4 po. Voir Fig. 6

REMARQUE SPÉCIALE: Les applications à une fenêtre présentent toute une variété de styles différents. C'est pourquoi il peut être nécessaire de modifier ou d'improviser votre installation particulière

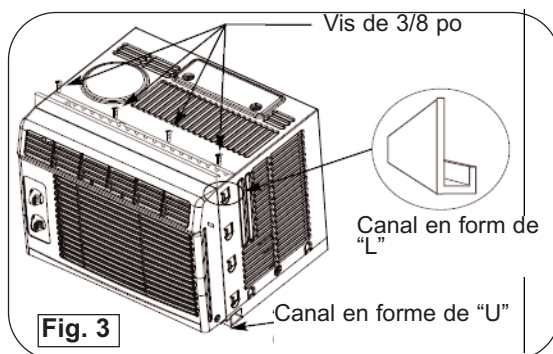


Fig. 3

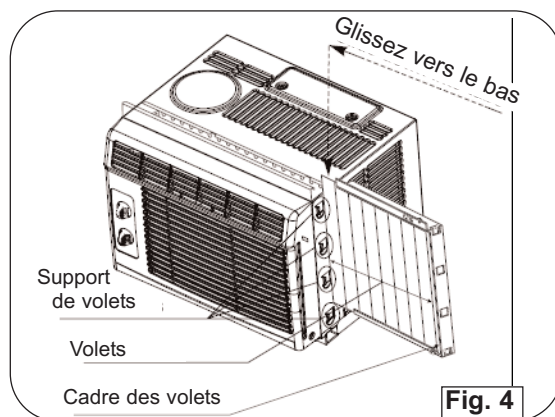


Fig. 4

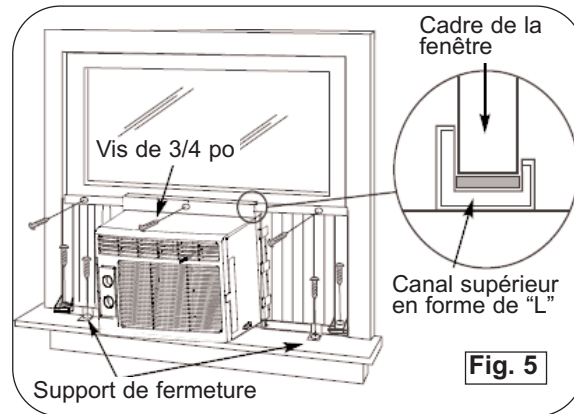


Fig. 5

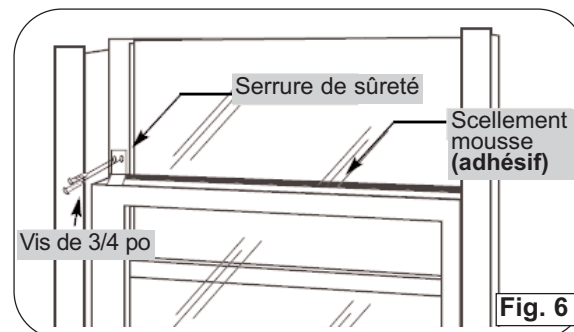




Fig. 6

CONSIGNES D'UTILISATION



FONCTION DE SÉLECTION

Le commutateur de sélection commande la vitesse du ventilateur et/ou la vitesse du refroidissement. Pour fixer la température désirée du refroidissement, il suffit de tourner le bouton de SÉLECTION au réglage approprié.

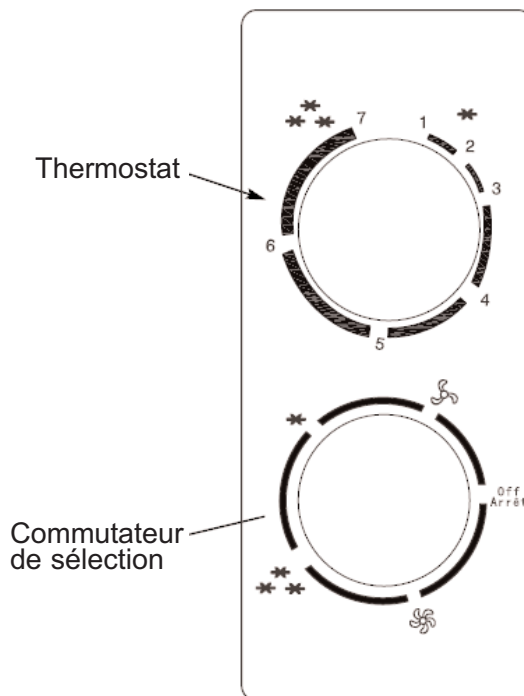
VITESSE DU VENTILATEUR:

- **BAS**  L'air circule à une vitesse minimum, sans refroidissement.
- **HAUT**  L'air circule à une vitesse maximum, sans refroidissement.

REFROIDISSEMENT:

- **BAS**  Refroidit avec un minimum de circulation d'air. Recommandé pour la nuit.
- **HAUT**  Refroidit avec une circulation d'air maximum. Recommandé pour un refroidissement rapide ou en temps de canicules. Une fois la pièce refroidie, il faut réduire le refroidissement à FAIBLE.
- **ARRÊT** -ferme la circulation complètement.

REMARQUE: Il faut toujours attendre 3 minutes avant de passer d'un réglage à un autre.



THERMOSTAT

Le thermostat contrôle complètement le cycle de refroidissement (compresseur) et maintient la température choisie pour la chambre. Pour régler le thermostat, tournez le bouton du thermostat au réglage de refroidissement désiré (1 le plus chaud - 7 le plus froid). Le moteur du ventilateur continuera à fonctionner après que le compresseur (refroidissement) a terminé son cycle. Cela est normal.



Quand vous utilisez la commande du **VENTILATEUR**, tournez le commutateur de sélection lentement pour que le climatiseur se règle bien. Quand vous utilisez le **THERMOSTAT**, assurez-vous d'attendre trois minutes avant de passer d'une température à une autre. En le réglant trop rapidement, on peut provoquer une surcharge du compresseur.

SOINS ET ENTRETIEN

Avant de procéder à l'entretien du climatiseur, assurez-vous de tourner le bouton de **SÉLECTION** en position "**ARRÊT**" et débranchez le cordon d'alimentation de la prise électrique.

- 1) N'utilisez PAS de l'essence, un produit chimique, diluant ou autre sur un climatiseur, car ces substances peuvent endommager la finition de la peinture et déformer des pièces en plastique.
- 2) N'essayez jamais de verser de l'eau directement sur le climatiseur, car cela provoque une détérioration de l'isolation électrique.

FILTRE À AIR

Si le filtre à air est bouché par de la poussière, la circulation d'air est obstruée et perd de son efficacité. Le filtre à air doit être nettoyé toutes les 2 semaines.

Le filtre à air du modèle ci-dessus se trouve derrière la grille frontale de la prise d'air. Pour enlever le filtre à air, saisissez la poignée du filtre sur l'avant de la grille et glissez-le (vers l'extérieur) à droite.

Pour réinstaller le filtre à air, faites l'inverse des procédures ci-dessus. Le filtre à air peut être passé à l'aspirateur ou lavé à la main dans de l'eau chaude. Séchez-le bien avant de l'installer.

NETTOYAGE DU FILTRE À AIR

- 1) Utilisez un aspirateur de poussière muni d'une brosse douce.
- 2) Lavez le filtre dans de l'eau tiède de moins de 40°C (104°F). Pour obtenir de meilleurs résultats, lavez avec une eau savonneuse ou un agent neutre de nettoyage.
- 3) Rincez le filtre avec de l'eau propre et séchez-le à fond avant de le réinstaller.



MISE EN GARDE: N'oubliez PAS d'installer le filtre à air. Si on fait fonctionner le climatiseur sans filtre à air, la poussière n'est pas éliminée de l'atmosphère de la pièce et peut entraîner une défaillance de la machine. Quand la grille de l'entrée d'air et le caisson sont sales, essuyez-les avec de l'eau tiède (au-dessous de 40°C). On recommande l'utilisation d'un détergent doux.

ENTRETIEN HORS SAISON

- 1) Faites fonctionner uniquement le ventilateur pendant une demi-journée pour sécher l'intérieur du climatiseur.
- 2) Coupez le courant et enlevez la fiche de la prise murale.
- 3) Nettoyez le filtre.
- 4) Rangez le climatiseur (couvert) dans un endroit sec.



ATTENTION: Durant installation et/ou en enlevant le climatiseur de la fenêtre, assurez-vous que l'attention est prise pour empêcher de tomber hors de la fenêtre. On recommande que l'installation ou le déplacement du climatiseur soit fait avec l'assistance pour empêcher des dommages aux personnes ou des dommages à l'appareil ou à la propriété.

DÉPANNAGE

De temps en temps, un problème peut se poser qui est mineur, et une intervention peut ne pas être nécessaire. Employez ce guide de dépannage pour une solution possible. Si l'unité continue à fonctionner incorrectement, demandez un dépôt autorisé de service ou le numéro de appel sans frais Danby pour l'aide à:

1-800-26-Danby® (1-800-263-2629)

PROBLEME	CAUSE PROBABLE	SOLUTION
<ul style="list-style-type: none"> Le climatiseur ne veut pas fonctionner. 	<ul style="list-style-type: none"> Aucun courant branché à l'appareil 	<ul style="list-style-type: none"> Vérifiez le branchement du cordon d'alimentation à la source de courant Vérifiez le fusible ou le disjoncteur Placer le commutateur de sélection à une position autre que ARRÊT Le bouton RESET (du cordon d'alimentation) doit toujours être enfoncé pour un bon fonctionnement.
<ul style="list-style-type: none"> Inefficace ou aucun refroidissement 	<ul style="list-style-type: none"> Filtre à air sale Les dimensions de l'appareil ne conviennent pas à son application Circulation d'air bloquée Interruption du courant, réglages changés trop rapidement, ou compresseur déclenché par surcharge 	<ul style="list-style-type: none"> Nettoyez ou remplacez le filtre à air. Vérifiez avec le concessionnaire si la capacité de l'appareil est appropriée à son application Enlevez l'objet qui obstrue la grille ou les volets extérieurs Arrêtez le climatiseur et attendez 5 minutes avant de le remettre en marche
<ul style="list-style-type: none"> Appareil bruyant 	<ul style="list-style-type: none"> Pièces desserrées Support inadéquat 	<ul style="list-style-type: none"> Serrez les pièces qui sont desserrées ou ont de jeu. Fournissez un support supplémentaire à l'appareil
<ul style="list-style-type: none"> Odours 	<ul style="list-style-type: none"> Formation de moisissure ou d'algues sur les surfaces mouillées 	<ul style="list-style-type: none"> Nettoyez à fond l'appareil Mettez une tablette anti-algues dans la cuvette de base.
<ul style="list-style-type: none"> De l'eau s'égoutte à l'extérieur 	<ul style="list-style-type: none"> L'écoulement de la condensation est normal, quand le temps est chaud et humide 	<ul style="list-style-type: none"> Ajoutez un tube flexible pour réacheminer l'écoulement de l'eau
<ul style="list-style-type: none"> De l'eau s'égoutte à l'intérieur 	<ul style="list-style-type: none"> L'appareil n'est pas incliné adéquatement pour permettre à l'eau de s'écouler à l'extérieur 	<ul style="list-style-type: none"> L'appareil doit être installé à un certain angle pour permettre un écoulement adéquat de la condensation. Vérifiez l'appareil et exécutez tout ajustement.
<ul style="list-style-type: none"> Formation de glace ou de givre 	<ul style="list-style-type: none"> Température très froide à l'extérieur Le filtre à air de l'appareil est sale 	<ul style="list-style-type: none"> Lorsque la température extérieure est d'environ 18.3°C (65°F) ou moins, du givre peut se former quand l'appareil est en mode refroidissement. Réglez l'appareil en mode VENTILATEUR (seulement) jusqu'à ce que le givre fonde. Enlevez et nettoyez le filtre à air

- REMARQUES:** 1) Si le disjoncteur se déclenche à maintes reprises, ou si le fusible a grillé plus d'une fois, contactez un technicien qualifié.
 2) Quand l'appareil est installé en suivant les étapes d'installation adéquates, l'appareil est incliné de façon appropriée vers l'extérieur pour permettre l'écoulement de la condensate.

Danby Premiere®

Model • Modèle
DAC5209M

For service, contact your
nearest service depot or call:

1-800-26- **Danby**®
(1-800-263-2629)

to recommend a depot in your
area.

Pour obtenir le service,
consultez votre centre de
service le plus rapproché ou
composez le:

1-800-26- **Danby**®
(1-800-263-2629)
vous recommandera un
centre régional.

Portable Air Conditioner

The model number can be found on the serial plate located on the back panel of the unit.

All repair parts available for purchase or special order when you visit your nearest service depot. To request service and/or the location of the service depot nearest you, call the TOLL FREE NUMBER.

When requesting service or ordering parts, always provide the following information:

- Product Type
- Model Number
- Part Number
- Part Description

Climatiseur Portatif

Le numéro de modèle se trouve sur la plaque d'information sur le panneau arrière de l'appareil.

Toutes les pièces de rechange ou commandes spéciales sont disponibles à votre centre de service régional autorisé.

Pour obtenir le service et/ou la localité de votre centre de service régional, signalez le NUMÉRO D'APPEL SANS FRAIS. Ayez les renseignements suivants à la portée de la main lors de la commande de pièce ou service :

- Type de produit
- Numéro de modèle
- Numéro de pièce
- Description de la pièce

Free Manuals Download Website

<http://myh66.com>

<http://usermanuals.us>

<http://www.somanuals.com>

<http://www.4manuals.cc>

<http://www.manual-lib.com>

<http://www.404manual.com>

<http://www.luxmanual.com>

<http://aubethermostatmanual.com>

Golf course search by state

<http://golfingnear.com>

Email search by domain

<http://emailbydomain.com>

Auto manuals search

<http://auto.somanuals.com>

TV manuals search

<http://tv.somanuals.com>