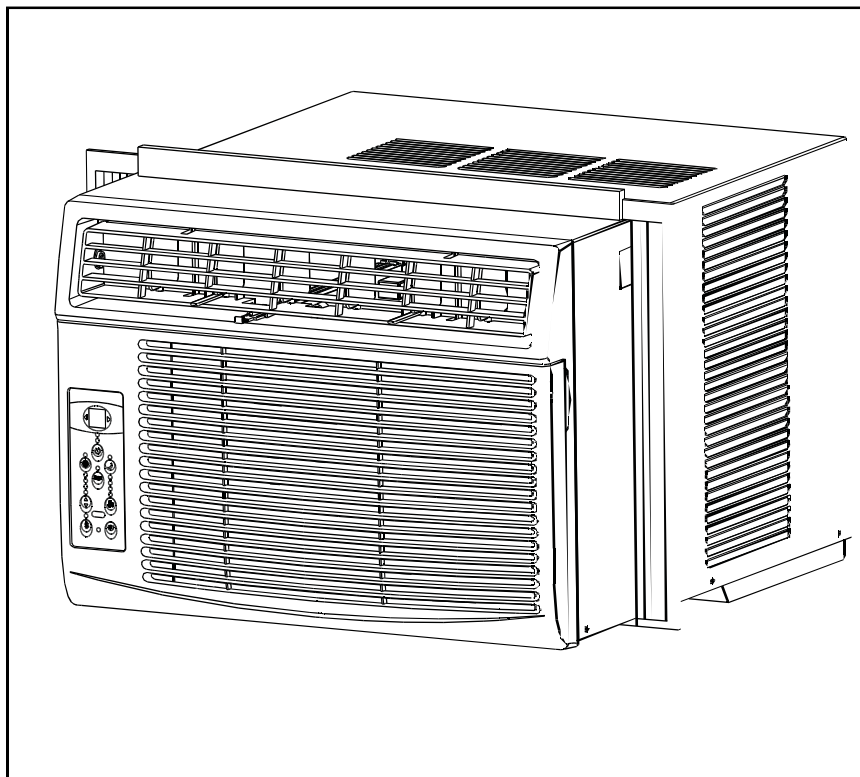


Danby®

**USE AND CARE
MANUAL
MANUEL
D'UTILISATION**

Models • Modèles

DAC6007EE



Room Air Conditioner

Table of contents 1

Climatiseur de pièce

Table of contents 12

CAUTION:

Read and Follow All Safety Rules
and Operating Instructions Before
First Use of This Product.

PRÉCAUTION:

Veillez lire attentivement
les consignes de sécurité et les
instructions d'utilisation avant
l'utilisation initiale de
ce produit.



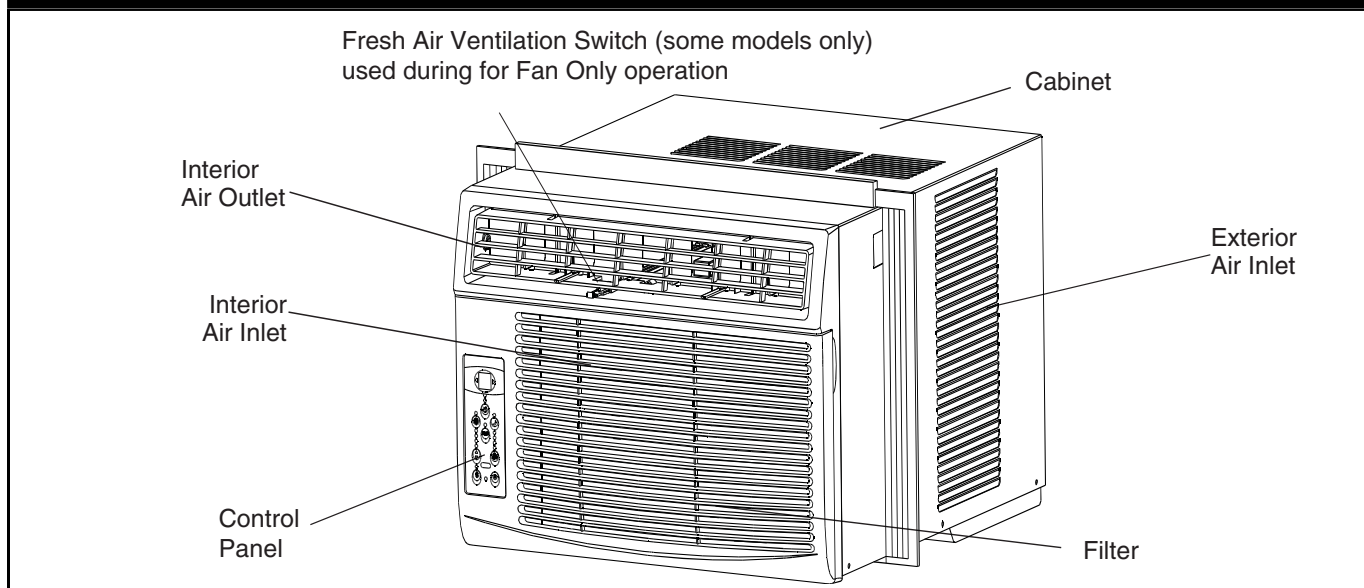
Danby Products Limited, Guelph, Ontario Canada N1H 6Z9
Danby Products Inc., Findlay, Ohio USA 45839-0669

Version 1C.2.06

Table of Contents

	Page
Model Specifications	1
Introduction	2
Electrical Specifications	3
Installation Notes & Hardware	4
Installation	5
Key pad Features	7
Remote Control Features	8
Care and Maintenance	9
Trouble Shooting Guide	10
Warranty	11

Parts Identification



Model Specifications	DAC6007EE
Voltage	115V/60Hz
Cooling Capacity (Btu/h)	6000
Input Wattage	560
Energy Efficiency Rating (EER)	10.7
Fan/Cooling Speeds	3/3
Cooling Area Coverage (Sq.ft./M ²)	200/18.6
Noise Level (dB)	53
Unit Dimensions (inch/cm)	
Width	18-1/2 / 47
Depth	16-5/16 / 41.5
Height	12-5/8 / 32.1
Window Kit Dimensions (inch/cm)	
Maximum Width	34-1/2 / 87.6
Minimum Width	21-1/2 / 54.6
Minimum Height	13-3/8 / 34

NOTE: Specifications are subject to change without notice for further improvement.

Introduction

Thank you for choosing a Danby Room Air Conditioner to cool your home. This Use and Care Manual provides information necessary for the proper care and maintenance of your new Room Air Conditioner. If properly maintained, your air conditioner will give you many years of trouble free operation. To avoid installation difficulties, read these instructions completely before installing/operating your unit.

NOTE: This unit is **NOT** designed for through-the-wall installation.

For easy reference, you may want to attach a copy of your sales receipt to this page. Note the following information provided (*on the manufacturer's nameplate located on the unit*). This information will be needed when you contact a Customer Service Representative.

Model Number: DAC6007EE

Serial Number: _____



Date of Purchase: _____

Dealer's Name and Address: _____

Refer to the trouble shooting section of this Use and Care Manual if the unit is not operating correctly. If these suggestions do not solve the problem, contact an authorized service representative or call Danby TOLL FREE: **1-800-26-Danby®**

This symbol denotes a caution or warning



	CAUTION	
Do not leave a room air conditioner unattended in a space where people or animals who cannot react to a failed unit are located. A failed unit can cause extreme overheating and fire in an enclosed, unattended space.		

SAVE THESE INSTRUCTIONS!


Electrical Specifications

1. All wiring must comply with local and national electrical codes and must be installed by a qualified electrician. If you have any questions regarding the following instructions, contact a qualified electrician.
2. Check available power supply and resolve any wiring problems **BEFORE** installing and operating this unit.
3. This 115V air conditioner uses 10.1 or less (depending on model) nameplate amps and may be used in any properly wired, general purpose household receptacle. See Table 1 for specifications for individual branch circuit.
4. For your safety and protection, this unit is grounded through the power cord plug when plugged into a matching wall outlet. **If you are not sure whether your wall outlet is properly grounded, please consult a qualified electrician.**
5. The wall outlet (3-pin) must match the plug (3-pin) on the service cord supplied with the unit. DO NOT use plug adapters. See Table 2 for receptacle and fuse information. DO NOT USE "REGULAR" EXTENSION CORDS WITH THIS UNIT. If it is necessary to use an extension cord to connect your air conditioner, use an approved "air conditioner" extension cord only. (available at most local hardware stores)
6. The rating plate on the unit contains electrical and other technical data.

Table 1: Suggested Individual Branch Circuit

Nameplate Amps	AWG Wire Size*
4.9 to 10.1	14
AWG- American Wire Gage	
* Based on copper wire at 60 °C temperature rating.	

Table 2: Receptacle and Fuse Types

Rated Volts	125
Amps	15
Wall Outlet	
Fuse Size	15
Time Delay Fuse (or circuit breaker)	Plug Type

⚠ Important Safety Instructions ⚠

The power cord supplied with this air conditioner contains a current leakage detection device designed to reduce the risk of fire. Please refer to the section "Power Supply Cord" for details. In the event the power supply cord is damaged, it cannot be repaired it must be replaced with a new cord from the Product Manufacturer.

- Under no circumstances should this device be used to turn the air conditioner on or off.
- The 'RESET' button must always be pushed in (engaged) for correct operation.
- The power supply cord must be replaced if it fails to reset when the 'TEST' button is pushed in.
- If the power supply cord is damaged, it cannot be repaired. It must be replaced with a new cord obtained from the Product Manufacturer.

Power Supply Cord

The power cord supplied with this air conditioner contains a device that senses damage to the power cord. To test if your power supply cord is working properly, you must do the following;

1. Connect the power supply cord to an electrical outlet.
2. The power supply cord is inclusive of two buttons located on the head of the plug. One button is marked 'TEST', the other button is marked 'RESET'. Press the 'TEST' button, you will hear a click as the 'RESET' button pops out.
3. Press the 'RESET' button, you will hear a click as the button engages.
4. The power supply cord is now energized and supplying electricity to the air conditioner. (On some products this is also indicated by a light on the plug head).

Energy-Saving Tips

Your Room Air Conditioner is designed to be highly efficient in energy savings.

Follow these recommendations for greater efficiency.

1. Select thermostat setting that suits your comfort needs and leave thermostat at that chosen setting.
2. The filter is very efficient in removing airborne particles. Keep air filter clean. Normally, filter should be cleaned every 2 weeks. More frequent cleaning may be necessary depending on indoor air quality.
3. Use drapes, curtains, or shades to keep direct sunlight from heating room, but **DO NOT** obstruct the air conditioner. Allow air to circulate around the unit without obstruction.
4. Start your air conditioner before outdoor air becomes hot and uncomfortable. This avoids an initial period of discomfort while unit is cooling off the room.
5. When outdoor temperatures are cool enough, use **HIGH** or **LOW FAN** only. This circulates indoor air, providing some cooling comfort, and utilizes less electricity than when operating on a cooling setting.

Installation Notes



Electric Shock Hazard

To avoid the possibility of personal injury, disconnect power to the unit before installing or servicing.

Tools Needed for Installation

Screw Drivers: Both Phillips and flat head
Power Drill: 1/8 inch (3.2 mm) diameter drill bit
Pencil
Measuring Tape
Scissors
Carpenters Level



CAUTION

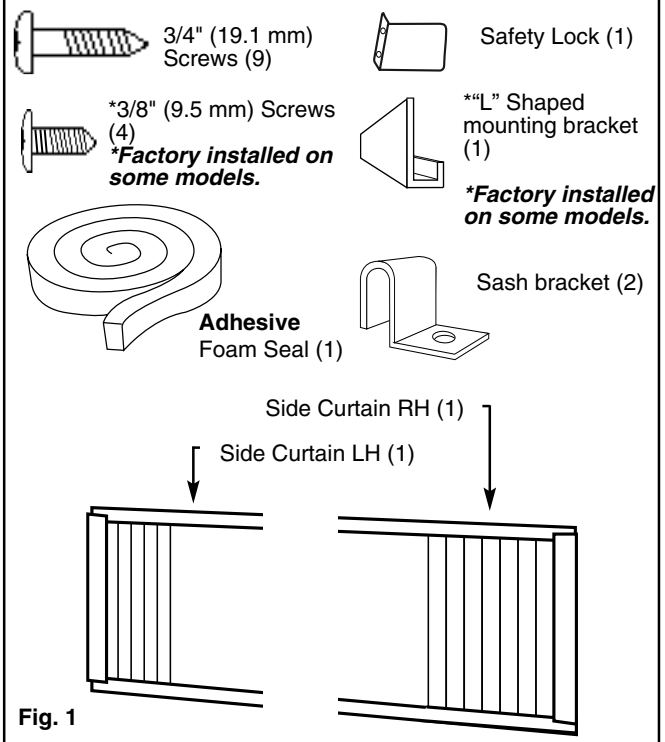


To avoid installation/operation difficulties, read these instructions thoroughly.

Your Room Air Conditioner is designed for easy installation in a single or double-hung window. This unit is **NOT** designed for vertical (slider type) windows and/or through-the-wall applications.

NOTE: Save the shipping carton and packing materials for future storage or transport of the unit. Remove from carton, the plastic bag containing the installation hardware kit necessary for the installation of your air conditioner. Please check the contents of hardware kit against the corresponding model check list, prior to installation of the unit. See Fig. 1

Installation Hardware



CAUTION

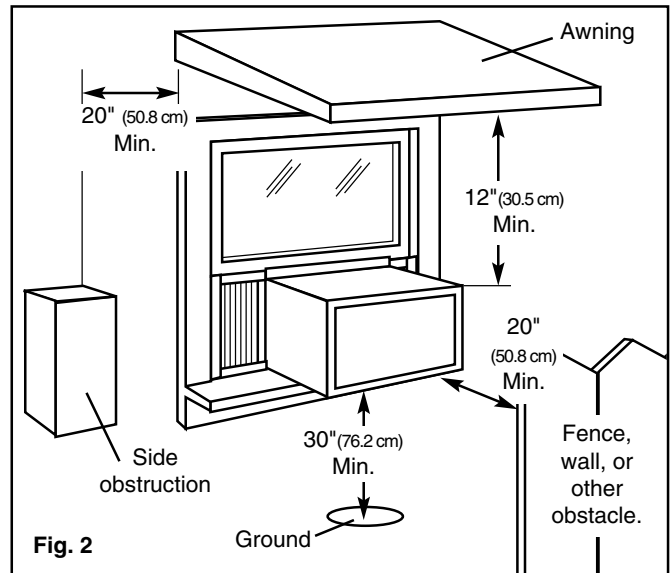
Because the compressor is located towards the rear of the unit, this side will be heavier and more awkward to manipulate. Therefore, it is recommended to have someone assist you during the installation of this unit.

Your unit is designed to evaporate condensation under normal conditions. However, under extreme humidity conditions, excess condensation may cause basepan to overflow to the outside. The Unit should be installed where condensation run-off cannot drip on pedestrians or neighboring properties.

Installation

Select the Best Location

- A.** This room air conditioner is designed to fit easily into a single or double hung window. However, since window designs vary, it may be necessary to make some modifications for safe, proper installation.
- B.** Make sure window and frame are structurally sound and free from dry and rotted wood.
- C.** For maximum efficiency, install the air conditioner on a side of a house or building which favors more shade than sunlight. If the unit is in direct sunlight, it is advisable to provide an awning over the unit.
- D.** Provide sufficient clearance around the cabinet to allow for ample air circulation through the unit. See *Fig. 2*. The rear of the unit should be outdoors and not in a garage nor inside a building. Keep unit as far away as possible from obstacles/obstructions and at least 30" (76.2 cm) above the floor or ground. Curtains and other objects within a room should be prevented from blocking the air flow.
- E.** Be certain the proper electrical outlet is within reach of the installation. Use only a single outlet circuit rated at 15 amps. All wiring should be in accordance with local and national electrical codes.
- F. DO NOT USE "REGULAR" EXTENSION CORDS WITH THIS UNIT.** If it is necessary to use an extension cord to connect your air conditioner, use an approved "air conditioner" extension cord only. (available at most local hardware stores)
- G. DO NOT** install unit where leakage of combustible gas is suspected. Your air conditioner may fail to operate in air containing oils (including machine oils), sulfide gas, near hot springs, etc...



1. Assembly of the Upper Channel, to Cabinet. (Factory installed on some models)

- **"L" Shaped Top Channel:** Install the "L" shaped channel to the top of the cabinet as shown in Fig. 3 using four (4) 3/8"(9.5mm) screws.

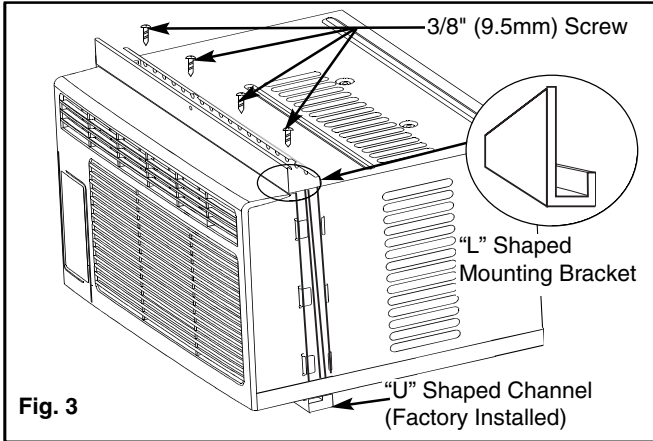


Fig. 3

2. Assembly of the Side Curtains to Cabinet.

- Extend the shutter from the shutter frame and slide it into the shutter guide on the side channel of the air conditioner as shown in Fig. 4.
- Slide the shutters into the top ("L" Shaped) and bottom ("U" Shaped channels. The shutters are identified (on frame) as left & right.

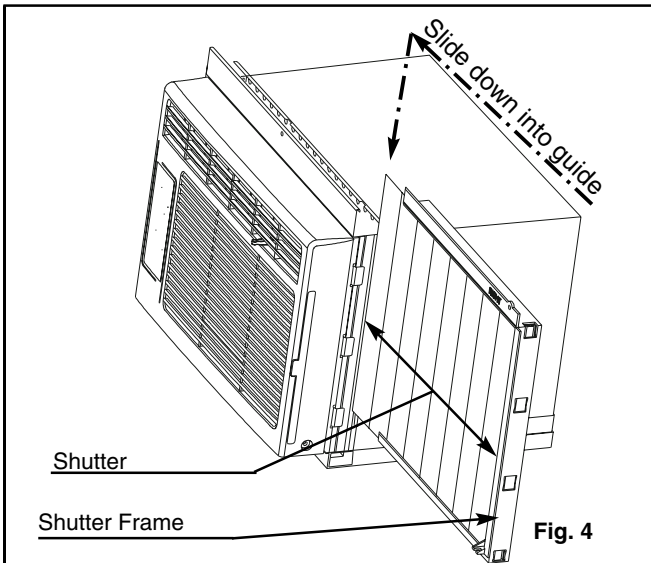


Fig. 4

3. Completing the Installation

- Cut the **foam (non adhesive) sealing strip** to fit the area of the window sill that the air conditioner will rest on.

3a. Completing the Installation (cont'd)

- Carefully place the air conditioner into the window with the **"L" shaped mounting bracket** (on top) positioned in front of the upper window sash. The bottom of the cabinet should be positioned on the "recessed" portion of the window frame. Pull the window down until it rests just behind the front flange of the (top) **"L" shaped mounting bracket**. See Fig. 5.
- Expand the shutter frames (fully) on each side and secure the top of the frames to the window sash using one 3/4" (19.1 mm) screw on each side and one in the "L" shaped mounting bracket. Fig. 5
- Secure the shutter clamp on each side of the (lower) shutter and secure to window sill using one 3/4" (19.1mm) screw on each side. Fig.5

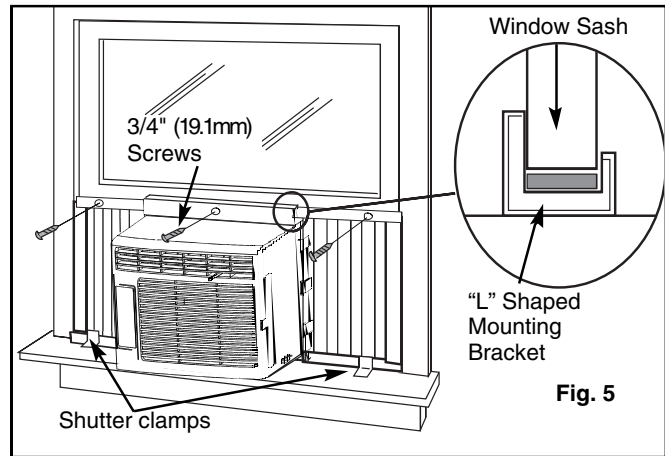


Fig. 5

- Place the second **foam sealing strip** to fit the opening between the inside and outside windows then attach the safety lock to the outside window frame using one 3/4" (19.1 mm) screw. See Fig. 6.

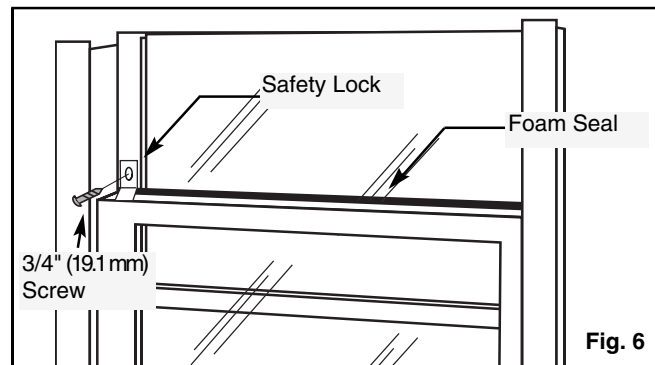




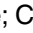
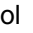
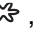

Fig. 6


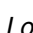
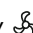


PLEASE NOTE: Window applications come in a variety of different styles. Therefore, it may be necessary to modify or improvise your particular installation.

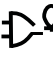
Key Pad Features


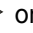

LED DISPLAY: Displays the following information independently; Set Temperature, Ambient Room Temperature and Auto Timer On/Off settings.

 **POWER:** Turns unit On / Off.


 **MODE:** Allows you to scroll through and select the desired operating mode; Cool , Dry , Fan Only  and *Auto . The selected mode will be denoted by the adjacent indicator light. *'Auto' is a pre-set factory program that automatically defines the mode (Cool or Dry) and fan speed based on the set temperature.


 **FAN SPEED:** Select from four different fan settings; Low , Medium , High  and Auto  during Cool and Fan Only mode. **Please note:** During 'Dry' mode the fan speed is automatically defined.

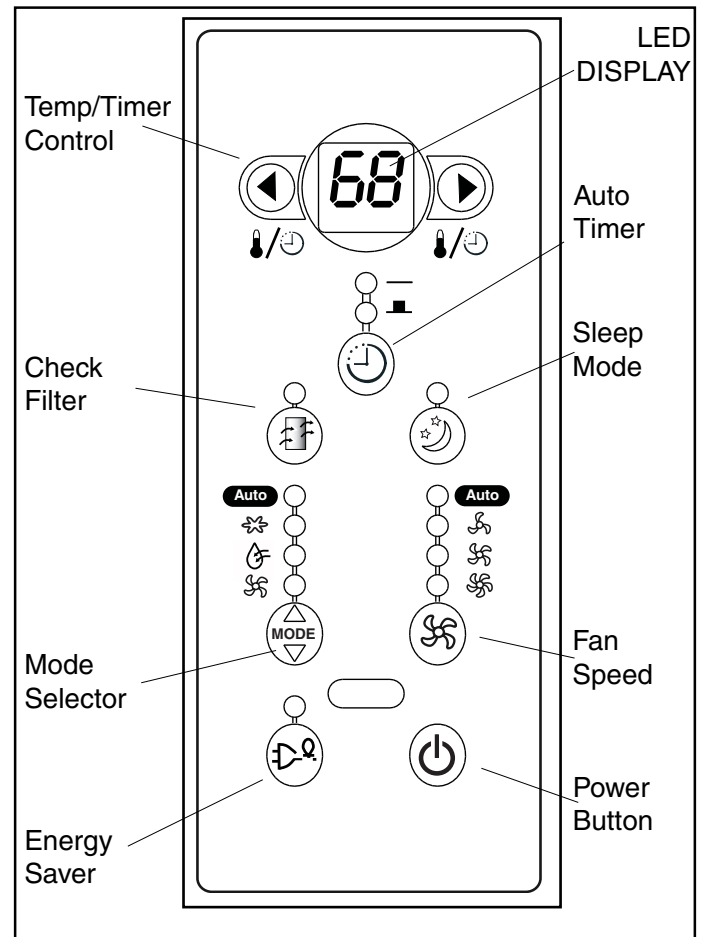
 **ENERGY SAVER:** Automatically cycles the fan on and off while the compressor is not in use.


 **TEMP. /TIMER Control:** Used to increase  or decrease  the Temperature setting in 1°C / °F increments and Auto-Timer On/Off settings in 30 min./1hr. increments.

Note: This appliance allows you select the temperature scale to be displayed in either "Celsius" or Fahrenheit" according to your preference. To change the temperature scale displayed on the electronic display, press both the "Temp/Timer" adjust arrows simultaneously to alternate between "Celsius" & "Fahrenheit".

 **CHECK FILTER :** The adjacent indicator light will illuminate as a reminder to clean the air conditioner filter (see page 9) Once the filter has been cleaned and replaced, depress the Check Filter button in order to resume operation.

 **SLEEP MODE :** When activated, the current set temperature is gradually increased over a one (1) hour period then maintained for seven (7) hours. Once the program is complete, the air conditioner will resume to it's previous set temperature (before sleep mode was activated). This feature is meant to be used during the night time hours to prevent the room from getting too cold (while you sleep) and results in less compressor running time and reduced energy consumption. Sleep mode may be cancelled by depressing the Sleep Mode button while the program is running.

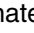


 **AUTO-TIMER:** Used to Initiate the Auto On and/or Auto Off timer.

While the Air Conditioner is off (Auto-On):

1. Press the Auto-Timer button once and the adjacent Auto-On indicator light '—' will illuminate.
2. Use the Temp/Timer control cursors to select a delayed **On** time of up to 24 hours.
3. Select the appropriate mode under which you want the unit to operate (Auto-Cool-Dry-Fan Only)
4. Select the fan speed setting.
5. The time you selected will appear in the LED display..

While the Air Conditioner is on (Auto-Off);

1. Press the Auto-Timer button twice and the adjacent Auto-Off indicator light  will illuminate.
2. Use the Temp/Timer control cursors to select a delayed **Off** time of up to 24 hours.
3. The time you selected will appear in the LED display

The Auto On and Auto Off timer can operate during the same program by defining the Auto-Off parameters immediately after the Auto On parameters.


The Auto-Timer may be cancelled at any time by turning the unit On/Off.

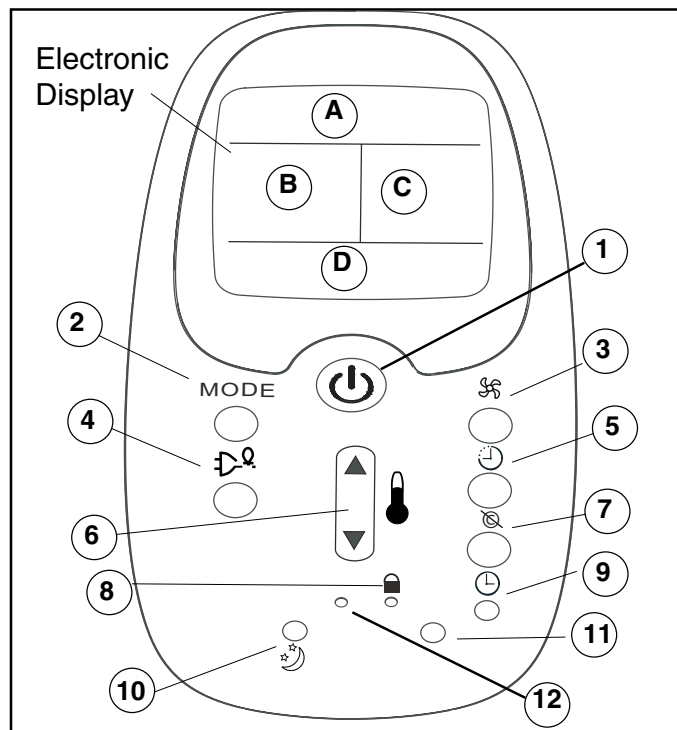
Remote Control Features

Electronic Display: Displays the following information;

- A: Remote Control power On/Off and Mode Icons
- B: Clock and Auto-Timer settings
- C: Current set temperature
- D: Fan speed setting

Control Buttons

1. Power switch.
2. Mode
3. Fan Speed
4. Energy Saver
5. Auto-Timer
6. Used to increase ▲ or decrease ▼ temperature settings in 1° increments on the Celsius or Fahrenheit scale.
7. Cancels current Timer ON/OFF settings.
8. Lock  prevents the remote control settings from inadvertently being changed.
9. Clock: Depress the button for 3 seconds in order to set the clock. Press the increase or decrease arrow to adjust the clock in 1 minute intervals, holding down the increase or decrease arrow will adjust the time in 10 minute intervals.
10. Used to activate the SLEEP program.
11. Toggle the LED backlight on/off.
12. Restore remote control default settings.



To operate the hand held remote control will require two "AAA" Alkaline batteries (included).

Batteries should be replaced when:

- a) No signal (beep) is heard when attempting to program the main unit.
- b) The main unit does not respond to a command issued by the remote control.

Battery replacement:

1. Slide the rear cover on the remote in the direction of the arrow. Continue pulling (gently) until the cover separates completely from the unit.
2. Insert (2) batteries (AAA) following the same orientation (polarity) depicted inside the battery chamber.(+/-)
3. Re-install rear cover.
4. If the remote control will not be used for extended periods of time (vacations etc.), batteries should be removed.

The remote operates within a range of 8 meters (26 ft.) from the receiver located inside the main unit. Any obstruction between the receiver and remote may cause signal interference, limiting the ability to program the main unit.

Care and Maintenance

When cleaning the air conditioner, be sure to turn the **POWER OFF** and disconnect the power cord from the electrical outlet.

1. **DO NOT** use gasoline, benzine, thinner or other chemicals on the air conditioner as these substances may cause damage to the paint finish and deformation of plastic parts.
2. Never attempt to pour water directly on unit as this will cause deterioration of the electrical insulation.

Air Filter Removal:

The air filter is located behind the air intake front grill. To remove the air filter, grasp the sides of the front grill and pull forward to open and access the filter.

To reinstall the air filter, reverse the above procedures. The air filter may be vacuumed or washed by-hand in warm water. Dry thoroughly before installing.

Cleaning Air Filter

1. Use a vacuum cleaner with soft brush attachment.
2. Wash the filter in lukewarm water below 40°C (104°F): To get better results, wash with soapy water or a neutral cleaning agent.
3. Rinse the filter with clean water and dry thoroughly before re-installing.

End-of-Season Care

1. Operate the fan alone for half a day to dry out the inside of the unit.
2. Turn off power and remove plug from wall socket.
3. Clean filter.
4. Store (covered) air conditioner in a dry location.

CAUTION

When installing and/or removing the air conditioner from the window, ensure that caution is taken to prevent the unit from falling backward. It is recommended that installation or removal of the air conditioner is done with assistance to prevent injury to persons or damage to the unit or property.

IMPORTANT

DO NOT forget to install the air filter. If the air conditioner is left to operate without the air filter, dust is not removed from the room air and may result in machine failure.

When the air inlet grill and cabinet are dirty, wipe with lukewarm water (below 40°C / 104°F). Use of a mild detergent is recommended.

Trouble shooting Guide

Frequently, a problem is minor and a service call may not be necessary, use this trouble shooting guide for a possible solution. If the unit continues to operate improperly, call **Danby's Toll Free Number 1-800-263-2629** for assistance, or call one of our service depots listed in the enclosed "Authorized Service Depot" listing provided with this unit.

Difficulty	Possible Cause	Suggested Solution
Air conditioner will not operate.	No power to unit.	Check connection of power cord to power source. Check fuse or circuit breaker.
Inefficient or no cooling.	Dirty air filter. Unit size inappropriate for application. Blocked air flow. Power interruption, settings changed too quickly, or compressor overload tripped.	Clean or replace air filter. Check with dealer to determine proper unit capacity for application. Remove obstruction from grill or outdoor louvers. Turn the unit off and wait 5 minutes before attempting to re-start.
Noisy unit.	Loose parts. Inadequate support.	Tighten loose parts. Provide additional support to unit.
Odors.	Formation of mold, mildew, or algae on wet surfaces.	Clean unit thoroughly. Place algacide tablet in base pan.
Water dripping outside.	Hot and humid weather.	Condensation run-off is normal under these conditions.
Water dripping inside.	Unit is not properly angled to allow water to drain outside.	Unit must be installed on an angle for proper condensation run-off. Check the unit and make any adjustments.
Ice or frost build-up.	Low outside temperature. Unit air filter is dirty.	When outdoor temperature is approximately 65°F or below, frost may form when unit is in cooling mode. Switch unit to FAN (only) operation until frost melts. Remove and clean filter.

- NOTES:**
1. If circuit breaker is tripped repeatedly, or fuse is blown more than once, contact a qualified technician.
 2. When unit is installed using proper installation steps, unit is properly tipped towards the outdoors to allow for condensation run-off.



LIMITED AIR CONDITIONER WARRANTY

This quality product is warranted to be free from manufacturer's defects in material and workmanship, provided that the unit is used under the normal operating conditions intended by the manufacturer.

This warranty is available only to the person to whom the unit was originally sold by Danby or by an authorized distributor of Danby, and is non-transferable.

TERMS OF WARRANTY

Plastic parts, are warranted for thirty (30) days only from purchase date, with no extensions provided.

First 12 Months During the first twelve (12) months, any electrical parts of this product found to be defective, including any sealed system units, will be repaired or replaced, at warrantor's option, at no charge to the ORIGINAL purchaser.

To obtain Service Danby reserves the right to limit the boundaries of "In Home Service" to the proximity of an Authorized Service Depot. Any appliance requiring service outside the limited boundaries of "In Home Service", it will be the consumer's responsibility to transport the appliance (at their own expense) to the original retailer (point of purchase) or a service depot for repair. Contact your dealer from whom your unit was purchased, or contact your nearest authorized Danby service depot, where service must be performed by a qualified service technician. If service is performed on the units by anyone other than an authorized service depot, or the unit is used for commercial application, all obligations of Danby under this warranty shall be at an end.

EXCLUSIONS

Save as herein provided, Danby Products Limited (Canada) or Danby Products Inc. (U.S.A.), there are no other warranties, conditions, representations or guarantees, express or implied, made or intended by Danby Products Limited or its authorized distributors and all other warranties, conditions, representations or guarantees, including any warranties, conditions, representations or guarantees under any Sale of Goods Act or like legislation or statute is hereby expressly excluded. Save as herein provided, Danby Products Limited (Canada) or Danby Products Inc. (U.S.A), shall not be responsible for any damages to persons or property, including the unit itself, howsoever caused or any consequential damages arising from the malfunction of the unit and by the purchase of the unit, the purchaser does hereby agree to indemnify and save harmless Danby Products Limited from any claim for damages to persons or property caused by the unit.

GENERAL PROVISIONS

No warranty or insurance herein contained or set out shall apply when damage or repair is caused by any of the following:

- 1) Power Failure.
- 2) Damage in transit or when moving the appliance.
- 3) Improper power supply such as low voltage, defective house wiring or inadequate fuses.
- 4) Accident, alteration, abuse or misuse of the appliance such as inadequate air circulation in the room or abnormal operating conditions, (extremely high or low room temperature).
- 5) Use for commercial or industrial purposes.
- 6) Fire, water damage, theft, war, riot, hostility, acts of God such as hurricanes, floods etc.
- 7) Service calls resulting in customer education.

Proof of purchase date will be required for warranty claims; so, please retain bills of sale. In the event warranty service is required, present this document to our AUTHORIZED SERVICE DEPOT.

Warranty Service
Carry-in

Danby Products Limited
PO Box 1778, 5070 Whitelaw RD, Guelph, Ontario, Canada N1H 6Z9
Telephone: (519) 837-0920 FAX: (519) 837-0449

Danby Products Inc.
PO Box 669, Findlay, Ohio, U.S.A. 45839-0669
Telephone: (419) 425-8627 FAX: (419) 425-8629

06/06

Danby®

Model • Modèle

DAC6007EE

For service, contact your nearest service depot or call:

**1-800-26- Danby®
(1-800-263-2629)**

Pour obtenir le service, consultez votre succursale régionale de service ou téléphonez:

**1-800-26- Danby®
(1-800-263-2629)**

Room Air Conditioner

The model number of your room air conditioner is found on the serial plate located on the right side of the unit above the power cord.

All repair parts are available for purchase or special order when you visit your nearest service depot. To request service and/or the location of the service depot nearest you, call the TOLL FREE NUMBER: **1-800-263-2629**

When requesting service or ordering parts, always provide the following information:

- Product Type
- Model Number
- Part Number
- Part Description

Climatiseur de pièce

Le numéro de modèle de votre climatiseur se trouve sur la plaque d'information qui se trouve sur le coté droit de l'appareil par dessus le cordon d'alimentation.

Toutes les pièces de rechange ou commandes spéciales sont disponibles de votre centre régional de service autorisé. Pour exiger le service et/ou le nom de votre centre de service régional, signalez le NUMÉRO SANS FRAIS: **1-800-263-2629**

Ayez les renseignements suivants à la portée de la main lors de la commande de pièce ou service:

- Genre de produit
- Numéro de modèle
- Numéro de pièce
- Description de la pièce

Danby Products Limited, Guelph, Ontario Canada N1H 6Z9
Danby Products Inc., Findlay, Ohio USA 45839-0669

Free Manuals Download Website

<http://myh66.com>

<http://usermanuals.us>

<http://www.somanuals.com>

<http://www.4manuals.cc>

<http://www.manual-lib.com>

<http://www.404manual.com>

<http://www.luxmanual.com>

<http://aubethermostatmanual.com>

Golf course search by state

<http://golfingnear.com>

Email search by domain

<http://emailbydomain.com>

Auto manuals search

<http://auto.somanuals.com>

TV manuals search

<http://tv.somanuals.com>