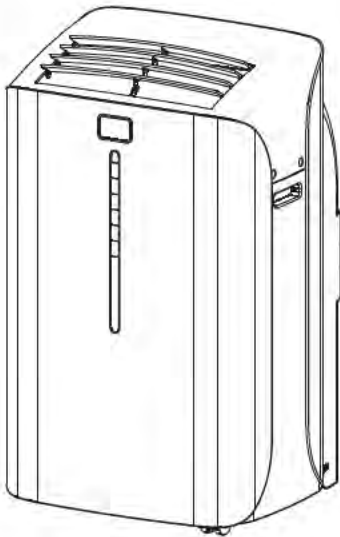


Danby Premiere®

Owner's Use and Care Guide Guide d'utilisation et soins de Propriétaire

Model • Modèle
DPA110DHA1CP



CAUTION:
Read and follow all
safety rules and
operating instructions
before first use
of this product.

MISE EN GARDE:
Veuillez lire
attentivement les
consignes de sécurité et
les directives
d'utilisation avant
l'utilisation initiale de
ce produit.

PORTABLE AIR CONDITIONER

Owner's Use and Care Guide 1 - 11

- Welcome
- Important Safety Information
- Features
- Installation
- Operation
- Care and Maintenance
- Troubleshooting

CLIMATISEUR PORTATIF

Guide d'utilisation et soins de Propriétaire 13 - 23

- Bienvenue
- Consignes de Sécurité Importante
- Caractéristiques
- Installation
- Fonctionnement
- Soins et Entretien
- Dépannage

KEEP THESE INSTRUCTIONS FOR FUTURE REFERENCE:
If the unit changes ownership, be sure the manual accompanies this unit.
CONSERVER CES INSTRUCTIONS POUR CONSULTATION ULTÉRIEUR:
En cas de revente l'appareil, ce manuel doit être inclus avec l'appareil.

Danby Products Ltd, Guelph, Ontario Canada N1H 6Z9
Danby Products Inc, Findlay, Ohio USA 45840

V1. 12. 12. DM

WELCOME

Thank you for choosing a Danby appliance to provide you and your family with all of the “Home Comfort” requirements of your home, cottage, or office. This Owner’s Use and Care Guide will provide you with valuable information necessary for the proper care and maintenance of your new appliance. If properly maintained, your Danby appliance will give you many years of trouble free operation. Please take a few moments to read the instructions thoroughly and familiarize yourself with all of the operational aspects of this appliance.

Your Danby Portable Air-Conditioner is a multi-functional room air-exchanging, air-processing appliance, designed to offer you the functions of; Air Conditioning, Dehumidifying, and Independent Fan. Each individual mode is featured with “oscillating” air swing capabilities. This unit can be conveniently moved from room to room within your home and set up in just minutes. Imagine the convenience of 4 Season Home Comfort at your fingertips, anywhere, anytime.

For easy reference, may we suggest you attach a copy of your sales slip/receipt to this page, along with the following information, located on the manufacturers nameplate on the rear panel of the unit.

Model Number: _____

Serial Number: _____

Date of Purchase: _____

This information will be necessary if your unit requires servicing and/or for general inquiries. To contact a Customer Service Representative, call Danby TOLL FREE: 1-800-26-**Danby**® (1-800-263-2629)




IMPORTANT SAFETY INFORMATION

READ ALL SAFETY INFORMATION BEFORE USING

ELECTRICAL SPECIFICATIONS

- 1) Check available power supply and resolve any wiring problems BEFORE installation and operation of this unit. All wiring must comply with local and national electrical codes and be installed by a qualified electrician. If you have any questions regarding the following instructions, contact a qualified electrician.
 - 2) This appliance draws 10.8 nameplate amps under Cooling Mode and may be used in any properly wired, general purpose 15 amp household grounded receptacle.
 - 3) For your safety and protection, this unit is grounded through the power cord plug when plugged into a matching wall outlet. If you are not sure whether the wall outlets in your home are properly grounded, please consult a qualified electrician.
- ⚠ WARNING:** Improper connection of the grounding plug can result in risk of Fire, Electric Shock, and/or injury to Persons associated with the appliance. Check with a qualified service representative if in doubt that the appliance is properly grounded.
- 4) DO NOT USE PLUG ADAPTERS OR EXTENSION CORDS WITH THIS UNIT. If it is necessary to use an extension cord with this unit, use an approved "air conditioner" extension cord only (available at most local hardware stores).
 - 5) To avoid the possibility of personal injury, always disconnect the power supply to the unit before installing and/or servicing.

Suggested Individual Branch Circuit	
Nameplate Amps	*AWG Wire Size
10.8	16
AWG- American Wire Gauge	
*Based on copper wire at 105°C temperature rating.	

Receptacle and Fuse Types	
Rated Volts	125
Amps	15
Wall Outlet	
Fuse Size	15
Time Delay Fuse (or Circuit Breaker)	Plug Type

⚠ CAUTION: Do not leave this unit unattended in a space where people or animals cannot react to a failed unit are located. A failed unit can cause extreme overheating or death in such an enclosed, unattended space.

POWER SUPPLY CORD

The power cord supplied with this air conditioner contains a device that senses damage to the power cord. To test if your power cord is working properly, you must do the following:

- 1) Connect the power supply cord to an electrical outlet.
- 2) The power supply cord has two buttons located on the head of the plug. One button is marked "TEST", and the other is marked "RESET". Press the "TEST" button; you will hear a click as the "RESET" button pops out.
- 3) Press the "RESET" button; you will hear a click as the button engages.
- 4) The power supply cord is now energized and supplying electricity to the air conditioner (on some products this is also indicated by a light on the plug head).

NOTE: The power cord supplied with this air conditioner contains a current leakage detection device designed to reduce the risk of fire. In the event the power supply cord is damaged, it cannot be repaired and must be replaced with a new cord from the product manufacturer.

- Under no circumstances should this device be used to turn the unit on or off.
- The "RESET" button must always be pushed in (engaged) for correct operation.
- The power supply cord must be replaced if it fails to reset when the "TEST" button is pushed in.

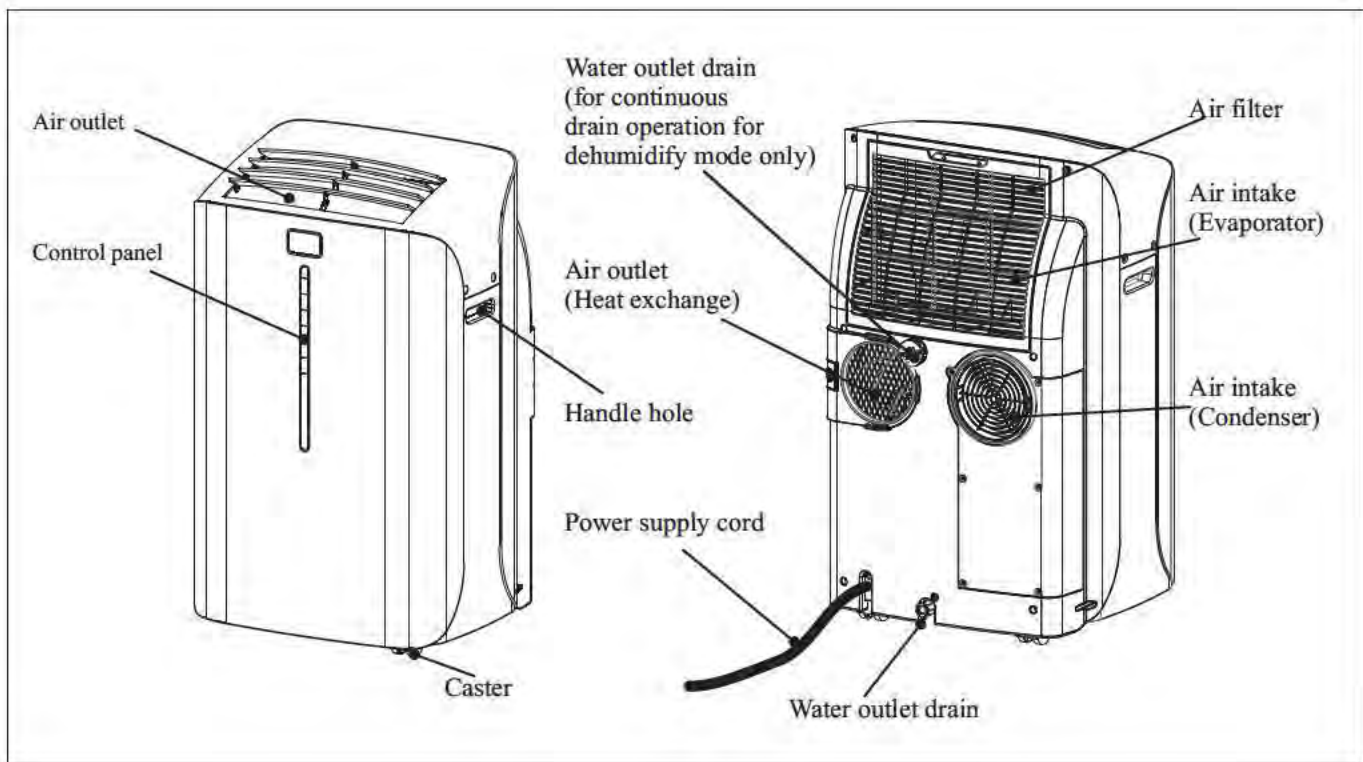
IMPORTANT SAFETY INFORMATION (cont'd)

ENERGY-SAVING TIPS

Your Danby appliance is designed to be highly efficient in energy savings. Follow these recommendations for greater efficiency.

- 1) Select a thermostat setting that suits your comfort needs and leave at that chosen setting.
- 2) The air filter is very efficient in removing airborne particles. Keep the air filter clean at all times.
- 3) Use drapes, curtains or shades to keep direct sunlight from penetrating and heating room, but do not allow drapes or curtains to obstruct the air flow around the unit.
- 4) Start your air conditioner before the outdoor air becomes hot and uncomfortable, to avoid an initial period of discomfort while the unit is cooling off the room. Use of the automatic start/stop programmable TIMER feature can be a major asset in this regard if utilized to the fullest extent.
- 5) When outdoor temperatures are cool enough, turn the air conditioner off and use the FAN MODE. This circulates indoor air, providing some cooling comfort while utilizing less electricity.

FEATURES



INSTALLATION



ELECTRIC SHOCK HAZARD: To avoid the possibility of personal injury, disconnect power to the unit before installing or servicing.

Caution: To avoid installation/operation difficulties, read these instructions thoroughly.

Flexible Exhaust Hose (13cm) & Exhaust nozzle connector (2 pcs)... from 17 7/10 (45cm) to 53 1/8" (135cm)

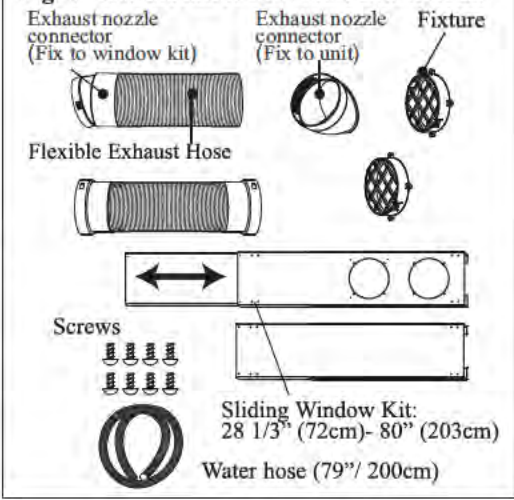
Flexible Exhaust Hose (11cm) & Exhaust nozzle connector (2 pcs)... from 15 3/4" (40cm) to 51 1/5" (130cm)

Adjustable sliding window/door kit (3 pcs)... from 28 1/3" (72cm) to 80" (203cm)

Fixture..... (2 pcs) & Screws..... (8 pcs)

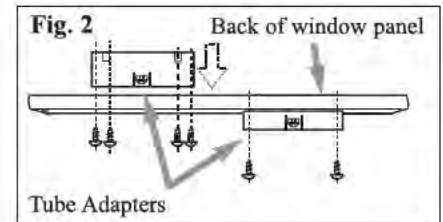
NOTE: The exhaust/window kit must be installed at all times when the unit is operating under AIR CONDITIONING mode. There should be at least 11.8" (30cm) clearance between the unit and any other objects or building structures, and should be installed on a level surface.

Fig. 1 INSTALLATION ACCESSORIES



Instructions for Assembling the Sliding Window Kit- Fig. 2

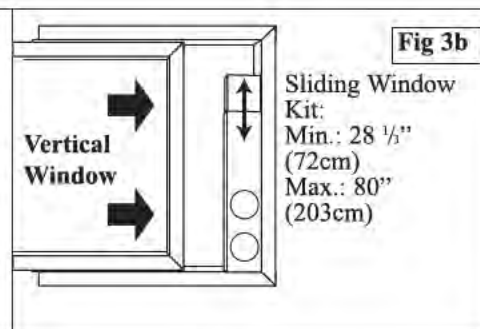
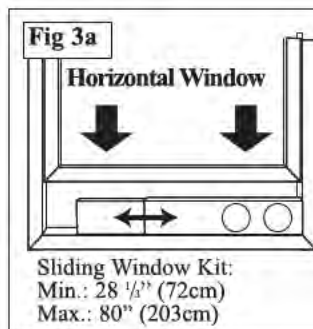
- 1) Insert tube adapters through the back of the window panel.
- 2) Secure each tube adapter with four screws through the front of the window panel.
- 3) Insert window panel extensions into window panel. Lightly tighten the screws in the window panel to hold the extensions in place.



WINDOW KIT INSTALLATION

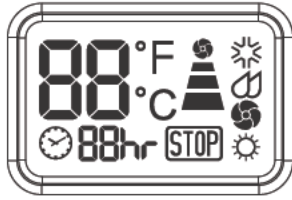
Air Conditioning Mode ONLY: Your window kit has been designed to fit most standard "vertical"/"horizontal" windows up to a maximum height of 80" (203cm). For vertical window applications, multi lock positions are provided on the edge of each slider section to secure each sliding section together.

- 1) Select a suitable location, making sure you have access to an electrical outlet.
- 2) Install the flexible hose to the rear side of the unit. Insert the hose collar on top of the exhaust opening and twist to lock into position.
- 3) Install the adjustable Sliding Window Kit as required (see Fig. 3a & 3b).
- 4) Install the opposite end of the flexible exhaust hose into the window exhaust adapter.
- 5) Install the window exhaust adapter into the opening in the slider section, making sure the window slider sections are secure.
- 6) Plug the unit into a 115V/60Hz grounded electrical outlet.



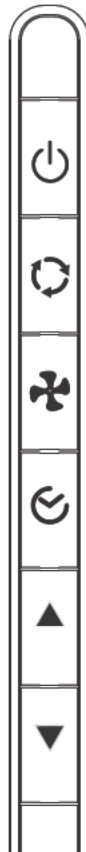
OPERATION

LCD Display



- Cooling Mode
- Dehumidify Mode
- Fan Only Mode
- Heating mode
- 88°F/°C Display Set Temperature
- 88hr Display Timer Setting of Auto Switch ON / OFF
- Warning Light (the machine will stop running)
- High Fan Speed
- Medium Fan Speed
- Low Fan Speed

FEATURES OF THE CONTROL PANEL



KEY PAD FUNCTIONS

- POWER SWITCH:** Turns unit ON/OFF
- MODE:** Allows you to scroll through and select desired operating mode.
- FAN:** Select from three different fan settings; *High, Medium, and Low.*
- AUTO-TIMER**

AUTO-TIMER Adjust:

AUTO TURN OFF- With machine in **running mode**, press timer button to set timer control. Press "▲" or "▼" buttons to select number of hours you would like the unit to run before it automatically shuts off.

AUTO TURN ON- With machine in **stand by mode**, press timer button to set timer control. Press "▲" or "▼" buttons to select number of hours before the unit automatically starts running **under any one mode**.

NOTE: The time is adjustable between 1-24 hours.

TEMPERATURE Adjust:

- Used for adjusting the thermostat.
- The default display is room temperature.
- In cooling mode, when "▲" or "▼" button is pressed, the set temperature is displayed and may be adjusted. After 10 seconds the display will revert back to room temperature. Temperature is only adjustable in cool mode.

NOTE: By pressing both "▲" & "▼" buttons at the same time for more than 3 seconds, the display will toggle between Celsius and Fahrenheit.

Warning Light

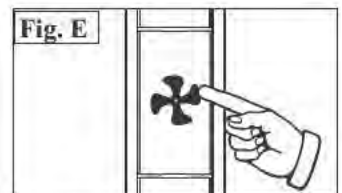
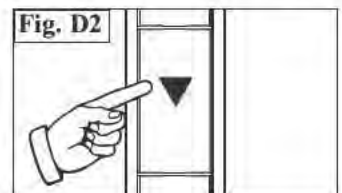
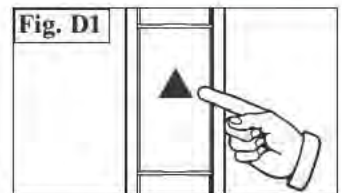
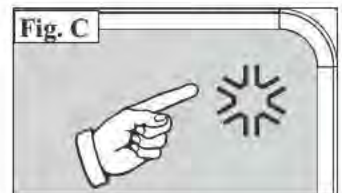
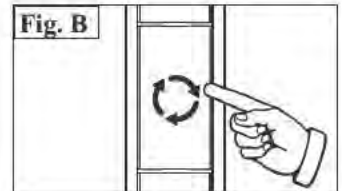
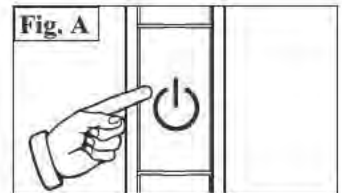
Condensed water may accumulate in the unit. If the internal tank becomes full, the Warning signal in the LCD Display will light up and the unit will not operate until it has been drained.

OPERATION (cont'd)

AIR CONDITIONING

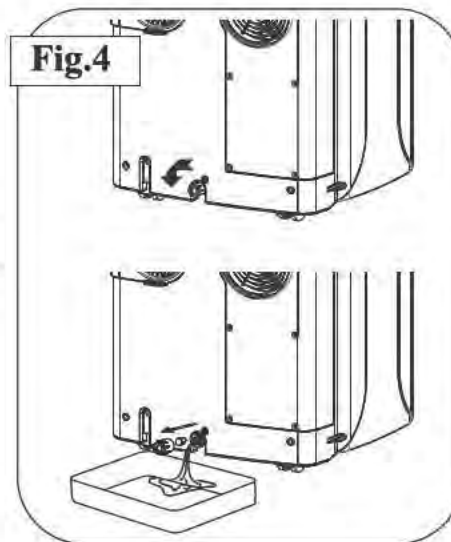
NOTE: The exhaust hose must be properly vented outdoors during air conditioning mode.

- 1) Press the POWER SWITCH key (Fig. A) to switch on the unit, and the **previous set temperature** will be shown in the temperature display area of the control panel.
 - 2) Press the MODE key (Fig. B) until the COOL indicator light illuminates on the control panel (Fig.C). Each depression of the MODE key will advance to a different mode setting (Cool-Dehumidifier - Fan - Heat).
 - 3) Press the appropriate increase "▲" or decrease "▼" buttons (Fig. D1 & D2) to select a suitable operating temperature setting. Temperature settings are adjustable between 16°C (61°F) to 32°C (89°F).
 - 4) Press the FAN key (Fig. E) to select the desired fan speed setting (High-Med.-Low). Your selection will appear on the control panel (each depression of the fan key will advance to a different setting).
- Cooling stops automatically when the set temperature is achieved. Cooling resumes when the room temp. rises above the "set" temperature level.



DRAINING EXCESS WATER

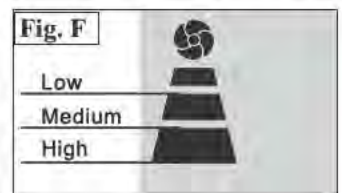
- 1) Drain excess water from the tank by placing a pan under the drain water outlet (Fig.4)
- 2) Unscrew the drain cover and remove the soft rubber stopper, let the water drain into the pan. When the water stops draining out, replace the soft rubber stopper, and tighten the drain cover.
- 3) Remove the pan of water.
- 4) Operate the unit in Fan mode to dry the interior of the unit.



FAN:

NOTE: During Fan Mode, the exhaust hose does NOT have to be vented outdoors.

- 1) Press the POWER SWITCH key pad to switch the unit on (Fig. A).
- 2) Press the MODE key (Fig. B) until the FAN indicator illuminates on the control panel (Fig. G). Each press of the MODE key will advance to a different mode setting (Cool-Dehumidifier - Fan - Heat).
- 3) Press the FAN Key (Fig. E) to select the desired FAN SPEED setting. Your selection will appear on the control panel. Each press of the fan key will advance to a different fan speed (High- Med- Low) as shown in Fig. F.



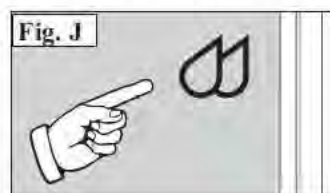
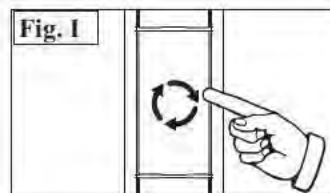
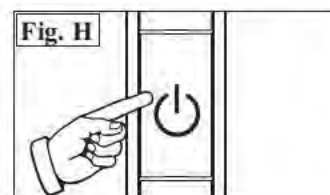
OPERATION (cont'd)

DEHUMIDIFIER

Note: During dehumidifier mode, the exhaust hose does not have to be vented outdoors.

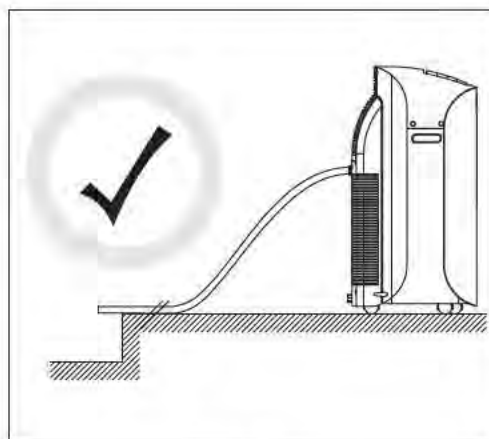
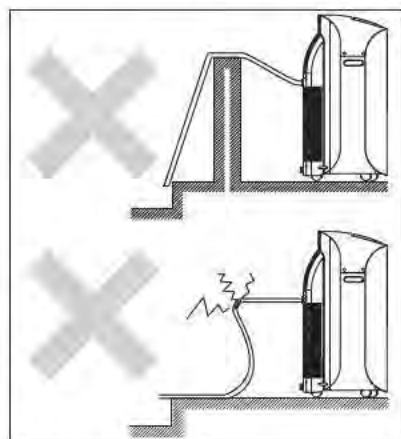
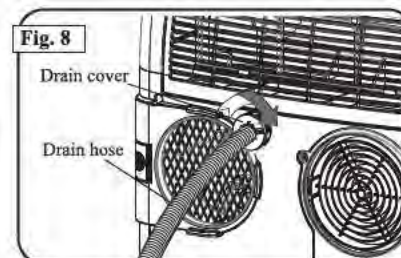
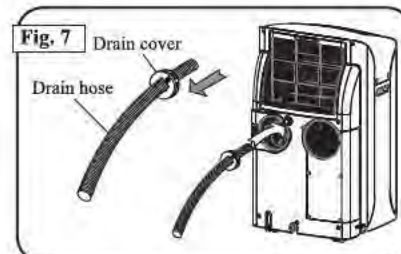
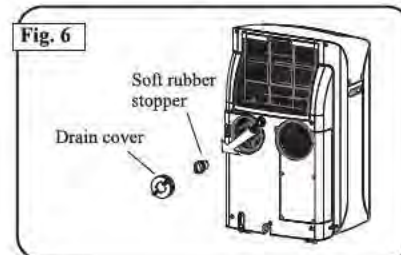
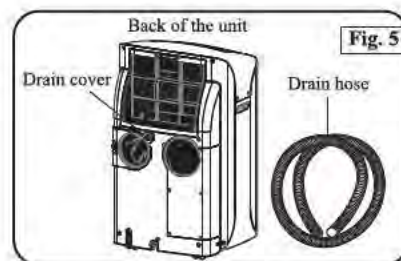
- 1) Press the ON/OFF key pad to switch the unit on (Fig. H)
- 2) Press the MODE key (Fig. I) until the DRY indicator illuminates on the control panel (Fig.J). Each press of the MODE key will advance to a different mode setting (Cool-Dehumidifier - Fan - Heat).

IMPORTANT: There is no temperature adjustment during dehumidifier mode. The fan speed is fixed at LOW speed.



IMPORTANT: The drain hose must be installed during dehumidifier mode. The function of continuous drain can be performed using the following steps:

- 1) To save having to periodically empty the water tank, this unit can be configured for continuous drain. You can use the supplied drain hose to connect to the continuous drain connector.
- 2) Unscrew and remove the drain cover at the rear of the unit (Fig.5).
- 3) Remove the soft rubber stopper, and place it in the water tank for safe keeping (Fig.6).
- 4) Insert the drain hose through the hole of the drain cover (Fig. 7).
- 5) Ensure the rubber seal ring is properly seated in the end of the hose as shown in Fig. 7.
- 6) Connect the drain hose to the drain port (Fig. 8).
- 7) Tighten the drain cover in clockwise direction onto the rear of the unit (Fig. 8).



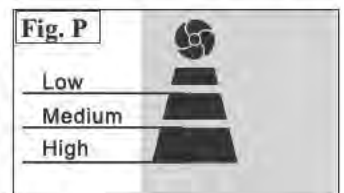
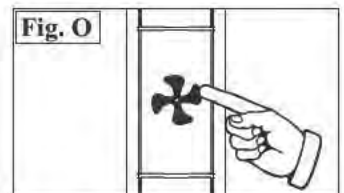
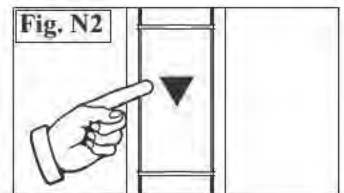
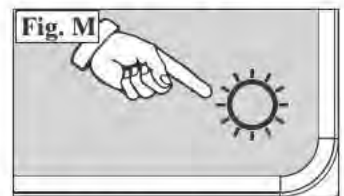
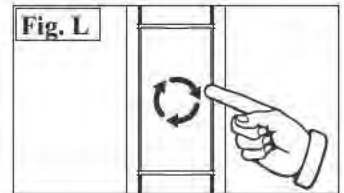
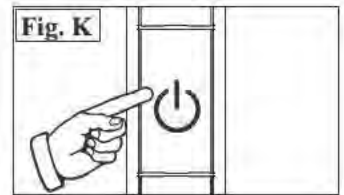
OPERATION (cont'd)

HEAT

NOTE: The exhaust hose must be properly vented outdoors during heat mode.

- 1) Press the POWER SWITCH key (Fig. K) to switch on the unit, and the **previous set temperature** will be shown in the temperature display area of the control panel.
- 2) Press the MODE key (Fig. L) until the HEAT indicator light illuminates on the control panel (Fig.M). Each depression of the MODE key will advance to a different mode setting (Cool-Dehumidifier - Fan - Heat).
- 3) Press the appropriate increase "▲" or decrease "▼" buttons (Fig. N1 & N2) to select a suitable operating temperature setting. Temperature settings are adjustable between 16°C (61°F) to 25°C (77°F).
- 4) Press the FAN key (Fig. O) to select the desired fan speed setting (High-Med.-Low). Your selection will appear on the control panel (each depression of the fan key will advance to a different setting).

• Heating stops automatically when the set temperature is achieved. Heating resumes when the room temperature rises above the "set" temperature level.

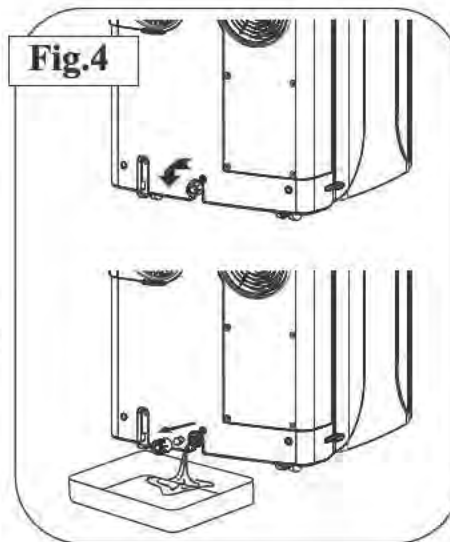


DRAINING EXCESS WATER

Please keep the water drained completely during heating mode.

- 1) Drain excess water from the tank by placing a pan under the drain water outlet (Fig.4)
- 2) Unscrew the drain cover and remove the soft rubber stopper, let the water drain into the pan. When the water stops draining out, replace the soft rubber stopper, and tighten the drain cover.
- 3) Remove the pan of water.

Note: During heating mode, if the water tank is full and the unit stops running, please drain out the water and restart the unit.



OPERATION (cont'd)

AUTO-TIMER The AUTO-TIMER feature offers a unique selection of multiple choice, fully automatic on and/or off (start/stop) programs between 1-24 hours under any one mode of your Home Comfort unit.

The programs are as follows:

- a) Auto-Off: Pre-select a time that will turn off the unit automatically (between 1-24hrs). b) Auto-On: Pre-select a time that will turn on the unit automatically (between 1-24hrs).

REMOTE CONTROL FEATURES

Control Buttons:

- 1) Power Switch
- 2) Mode
- 3) Fan Speed
- 4) On / Off Timer
- 5) Time / Temperature Set
 - Used for adjusting the timer and temperature.
 - The default display on control panel is room temperature.
 - When " + " or " - " key is pressed in cool mode, the set temperature is displayed and may be adjusted. After 10 seconds, the display will revert back to room temperature.
 - Timer setting is available from 1-24 hours by pressing " + " or " - " keys.

To operate the hand held remote control you will require two "AAA" Alkaline batteries (included).

Batteries should be replaced when:

- a) No signal (beep) is heard when attempting to program the main unit.
- b) The main unit does not respond to a command issued by the remote control.

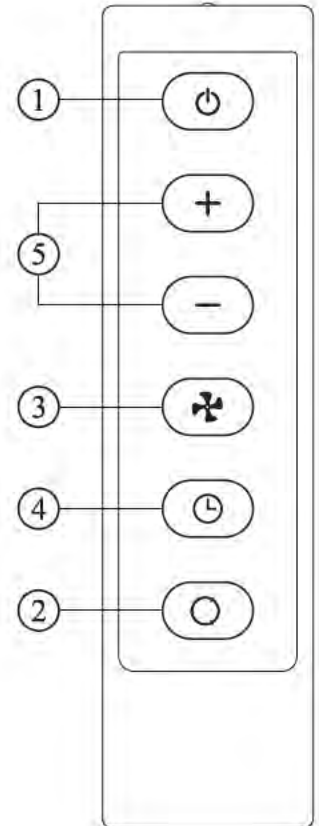
Battery replacement: Replace batteries as a simultaneous set.

- 1) Slide the rear cover on the remote in the direction of the arrow. Continue pulling (gently) until the cover separates completely from the unit.
- 2) Insert (2) batteries (AAA) following the same orientation (polarity) depicted inside the battery chamber (+ / -).
- 3) Re-install rear cover.
- 4) If the remote control will not be used for extended periods of time, batteries should be removed.

The remote operates within a range of 8 meters (26 ft.) from the receiver located inside the main unit. Any obstruction between the receiver and remote may cause signal interference, limiting the ability to program the unit.

Notes:

- 1) Do not drop the remote control.
- 2) Do not place the remote control in a location exposed to direct sunlight.
- 3) Protect the remote control from high temperatures, and keep it away from radiation exposure.
- 4) Keep the control panel receiver out of direct sunlight.
- 5) If the remote control will not be used for extended periods of time (vacations, etc.), the batteries should be removed until they will be used again.
- 6) Do not mix old and new batteries.
- 7) Do not mix alkaline, standard (carbon-zinc) or rechargeable (NiCD, NiMH, etc.) batteries.
- 8) This Class B digital apparatus complies with ICES-003.



OPERATION (cont'd)

- 9) The remote operates within a range of 26 ft. from the receiver located inside the main unit. Any obstruction between the receiver and remote may cause signal interference, limiting the ability to program the main unit.

Note: This equipment has been tested and found to comply with the limits for Class B digital device, pursuant to part 15 of the FCC Rules. These limits are designed to provide reasonable protection against harmful interference in a residential installation. This equipment generates, uses, and can radiate radio frequency energy and, if not installed and used in accordance with the instructions, may cause harmful interference to radio or television reception, which can be determined by turning the equipment off and on, the user is encouraged to try to correct the interference by one of more of the following measures.

- 1) Reorient or relocate the receiving antenna.
- 2) Increase the separation between the equipment and the receiver.
- 3) Connect the equipment into an outlet on a circuit different from that to which the receiver is connected.
- 4) Consult the dealer or an experienced radio/TV technician for assistance.

CARE AND MAINTENANCE

CLEANING THE UNIT

CAUTION: Before cleaning or servicing this unit, disconnect from any electrical supply outlet.

- 1) DO NOT use gasoline, benzene, thinner, or any other chemicals to clean this unit, as these substances may cause damage to the finish and deformation of plastic parts.
- 2) Never attempt to clean the unit by pouring water directly over any of the surface areas, as this will cause deterioration of electrical components and

wiring insulation.

- 3) Unplug the unit.
- 4) Clean the unit by wiping off any dirt/dust with a soft damp cloth or vacuum cleaner, then wipe dry with a dry soft cloth.

CAUTION: Always store the unit in vertical position. DO NOT put heavy objects on top of the unit.

CLEANING THE AIR FILTER

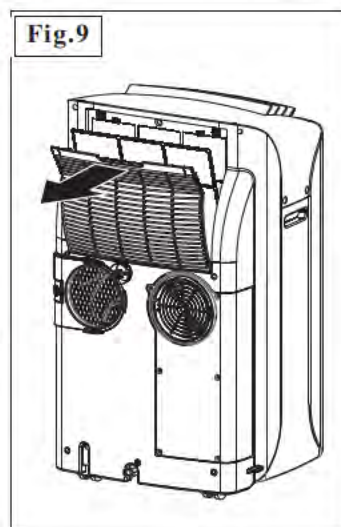
CAUTION: Never operate this unit without the air filter in place, as this may result in damage to the unit.

If the air filter becomes clogged with dust/dirt, air flow is restricted, which reduces cooling efficiency. The air filter should be **cleaned every two (2) weeks**. More frequent cleaning may be necessary depending on indoor air quality.

NOTE: The air filter is located at the upper rear side of the unit.

- 1) To remove the air filter: Pull the air filter cover upward in the direction of the arrow (Fig. 9) and remove the air filter.
- 2) Dust/dirt clogged in the filter can be removed by vacuum cleaning the soiled areas.
- 3) The filter can also be washed in lukewarm, soapy water while rubbing it lightly with a brush. A mild detergent (diswashing liquid) is recommended.
- 4) Rinse the filter well using clean water. **Allow time to dry before reinstalling into the unit.**
- 5) Replace the air filter and cover.
- 6) Replacement air filter information is available by contacting the Customer Service Department at: 1-800-26-**Danby**® (1-800-263-2629).

Fig.9



TROUBLESHOOTING

Occasionally, a problem may occur that is minor, and a service call may not be necessary. Use this troubleshooting guide for a possible solution. If the unit continues to operate improperly, call an authorized service depot for assistance, or Danby's Toll Free Number: **1-800-26-Danby®**

PROBLEM	POSSIBLE CAUSE	SOLUTIONS
1) Unit does not work	<ul style="list-style-type: none"> • Power is out. • The plug is not plugged in properly. • The full-tank indicator is ON; tank is full. • Current leaking or pressing test button on LCDI plug. 	<ul style="list-style-type: none"> • Wait for power to return. • Plug in properly. • Remove drain water from the drain tank. • Press the reset button after resolving problem.
2) Unit suddenly stops during operation.	<ul style="list-style-type: none"> • Indoor set temperature has been reached. • The preset time is up. • The full-tank indicator is ON; tank is full. 	<ul style="list-style-type: none"> • Reset the temperature level. • Reset the timer. • Remove drain water from the drain tank.
3) Unit runs intermittently	<ul style="list-style-type: none"> • Malfunction. • Surrounding temp. is too high/low. • Exhaust duct hose is blocked. 	<ul style="list-style-type: none"> • Contact your dealer. • This is normal. • Check the duct hose.
4) Unit functions but the room is not cooled.	<ul style="list-style-type: none"> • Window or door is open in room. • There is a heat source or too many people in the room. • Air intake grill is clogged. • Filter is too dirty. • Temperature setting is too high. 	<ul style="list-style-type: none"> • Close all windows/doors. • Move any heat sources from room. • Clean air intake grill. • Replace the filter. • Lower temp. setting.
5) Condensed water spills out when moving the unit.	<ul style="list-style-type: none"> • The tank is nearly full. 	<ul style="list-style-type: none"> • Remove drain plug on rear bottom and drain out water.

Danby
Premiere

LIMITED IN-HOME APPLIANCE WARRANTY

This quality product is warranted to be free from manufacturer's defects in material and workmanship, provided that the unit is used under the normal operating conditions intended by the manufacturer.

This warranty is available only to the person to whom the unit was originally sold by Danby Products Limited (Canada) or Danby Products Inc. (U.S.A.) (hereafter "Danby") or by an authorized distributor of Danby, and is non-transferable.

TERMS OF WARRANTY

Plastic parts, are warranted for thirty (30) days only from purchase date, with no extensions provided.

First 24 Months During the first twenty four (24) months, any functional parts of this product found to be defective, will be repaired or replaced, at warrantor's option, at no charge to the ORIGINAL purchaser.

To obtain Service Danby reserves the right to limit the boundaries of "In Home Service" to the proximity of an Authorized Service Depot. Any appliance requiring service outside the limited boundaries of "In Home Service", it will be the consumer's responsibility to transport the appliance (at their own expense) to the original retailer (point of purchase) or a service depot for repair. See "Boundaries of In Home Service" below. Contact your dealer from whom your unit was purchased, or contact your nearest authorized Danby service depot, where service must be performed by a qualified service technician.
If service is performed on the unit by anyone other than an authorized service depot, or the unit is used for commercial application, all obligations of Danby under this warranty shall be void.

Boundaries of In Home Service If the appliance is installed in a location that is 100 kilometers (62 miles) or more from the nearest service center your unit must be delivered to the nearest authorized Danby Service Depot, as service must only be performed by a technician qualified and certified for warranty service by Danby. Transportation charges to and from the service location are not protected by this warranty and are the responsibility of the purchaser.

Nothing within this warranty shall imply that Danby will be responsible or liable for any spoilage or damage to food or other contents of this appliance, whether due to any defect of the appliance, or its use, whether proper or improper.

EXCLUSIONS

Save as herein provided, Danby, there are no other warranties, conditions, representations or guarantees, express or implied, made or intended by Danby or its authorized distributors and all other warranties, conditions, representations or guarantees, including any warranties, conditions, representations or guarantees under any Sale of Goods Act or like legislation or statute is hereby expressly excluded. Save as herein provided, Danby shall not be responsible for any damages to persons or property, including the unit itself, howsoever caused or any consequential damages arising from the malfunction of the unit and by the purchase of the unit, the purchaser does hereby agree to indemnify and hold harmless Danby from any claim for damages to persons or property caused by the unit.

GENERAL PROVISIONS

No warranty or insurance herein contained or set out shall apply when damage or repair is caused by any of the following:

- 1) Power failure.
- 2) Damage in transit or when moving the appliance.
- 3) Improper power supply such as low voltage, defective house wiring or inadequate fuses.
- 4) Accident, alteration, abuse or misuse of the appliance such as inadequate air circulation in the room or abnormal operating conditions (extremely high or low room temperature).
- 5) Use for commercial or industrial purposes (ie. If the appliance is not installed in a domestic residence).
- 6) Fire, water damage, theft, war, riot, hostility, acts of God such as hurricanes, floods etc.
- 7) Service calls resulting in customer education.
- 8) Improper installation (ie. Building-in of a free standing appliance or using an appliance outdoors that is not approved for outdoor application).

Proof of purchase date will be required for warranty claims; so, please retain bills of sale. In the event warranty service is required, present this document to our AUTHORIZED SERVICE DEPOT.

Warranty Service
In-home

Danby Products Limited
PO Box 1778, Guelph, Ontario, Canada N1H 6Z9
Telephone: (519) 837-0920 FAX: (519) 837-0449

1-800-263-2629

04/09

Danby Products Inc.
PO Box 669, Findlay, Ohio, U.S.A. 45840
Telephone: (419) 425-8627 FAX: (419) 425-8629

BIENVENUE

Merci d'avoir choisi un appareil Danby qui vous fournira ainsi qu'à votre famille, le confort au foyer, à la maison, au chalet ou au bureau. Ce manuel d'utilisation vous offre des renseignements pratiques pour le soin et l'entretien de votre nouvel appareil. Un appareil Danby bien entretenu vous fournira plusieurs années de service sans ennui.

Veillez prendre quelques moments pour lire attentivement toutes les directives pour vous renseigner et vous familiariser avec tous les aspects du fonctionnement de votre appareil.

Votre climatiseur portable Danby est un appareil d'échange et de traitement de l'air à fonctions multiples. Sa conception vous offre les fonctions suivantes: la climatisation, la déshumidification et la ventilation indépendante. Chacun des modes est équipé d'une capacité de balayage de l'air par oscillation. Cet appareil peut être aisément déplacé d'une pièce à l'autre de la maison et il est installé en quelques minutes seulement. Imaginez la commodité du confort au foyer 3 saisons à portée de la main, en tout temps, en tout lieu.

Pour la référence aisée, nous vous suggérons de joindre une copie de votre reçu de caisse et/ou facture d'achat à cette page, et d'inscrire les renseignements suivants qui sont trouvés sur la plaque d'identification du fabricant. Celle-ci est située sur le panneau arrière de l'appareil.

Numéro de modèle: _____

Numéro de série : _____

Date d'achat : _____

Ces renseignements seront requis si le service est demandé et/ou si vous désirez obtenir des renseignements supplémentaires. Pour consulter un Représentant du service à la clientèle, composez le NUMÉRO D'APPEL SANS FRAIS suivant:

1-800-26- Danby® (1-800-263-2629)

CONSIGNES DE SÉCURITÉ IMPORTANT

LISEZ TOUTE L'INFORMATION DE SÉCURITÉ AVANT UTILISATION


SPÉCIFICATIONS ÉLECTRIQUES

- 1) Vérifier l'alimentation de courant disponible et résoudre tout problème AVANT l'installation et l'usage de cette unité. Le câblage doit être conforme aux codes local et national de l'électricité avec l'installation par un électricien qualifié. Pour toutes questions concernant les directives qui suivent, communiquer avec un électricien qualifié.
- 2) Cet appareil débite 10,8 ampères tel qu'indiqué sur la plaque d'identification en **mode de refroidissement** et il peut être utilisé avec tout réceptacle domestique de 15 ampères d'usage général, correctement câblé et mis à la terre.
- 3) Pour votre sécurité et votre protection, cette unité est mise à la terre par la fiche du cordon d'alimentation quand elle est branchée sur une prise de courant adaptée. Si vous n'êtes pas certain que les prises de courant de votre domicile sont correctement mises à la terre, consultez un électricien qualifié.
- 4) **NE PAS UTILISER LES ADAPTATEURS DE FICHE OU LES CORDES DE RALLONGE AVEC CETTE UNITÉ.** S'il est nécessaire d'en utiliser une, utiliser une corde de rallonge approuvée pour l'usage avec les climatiseurs seulement (disponible dans la plupart des quincailleries locales).
- 5) Pour éviter la possibilité de blessure corporelle, toujours débrancher l'alimentation de courant à l'unité avant d'entreprendre l'installation et/ou le service.

TABLEAU 1

Circuit de distribution individuel suggéré	
Amperès de plaque d'identification	Calibre de fil AWG*
10,8	16
AWG - American Wire Gauge (Calibre de fil américain)	
*Basé sur le fil en cuivre à une température nominale de 105°C	

TABLEAU 2

Types de fusibles et de réceptacles	
Tension nominale	125
Ampères	15
Prise de courant	
Intensité de fusible	15
Fusible temporisé (ou disjoncteur de circuit)	Type fiche

MISE EN GARDE: Ne jamais laisser cet appareil en marche dans un endroit fermé où des personnes ou animaux qui ne peuvent pas réagir à une défectuosité de l'appareil se trouvent. Un appareil en panne peut occasionner la surchauffe extrême de cet appareil ou la mort dans un espace fermé non surveillé.

CORDON D'ALIMENTATION

Le cordon d'alimentation fourni avec cet air conditionné contient un dispositif qui détecte les dommages au cordon. Pour tester si votre cordon d'alimentation fonctionne adéquatement, vous devez faire ce qui suit :

- 1) Branchez le cordon d'alimentation à une prise d'alimentation électrique.
- 2) Le cordon d'alimentation possède deux boutons situés sur la tête de la fiche. L'un des boutons est identifié par 'TEST' et l'autre bouton par 'RESET'. Appuyez sur le bouton 'TEST' et vous entendrez un déclic puisque le bouton 'RESET' sera ressorti.
- 3) Appuyez sur le bouton 'RESET' et vous entendrez un déclic lorsque le bouton sera enfoncé.
- 4) Le cordon d'alimentation est maintenant alimenté et il fournit de l'électricité à l'air conditionné. (Sur certains produits, ceci sera aussi indiqué par une lumière sur la tête de la fiche).

Le cordon d'alimentation fourni avec cet air

conditionné contient un dispositif de détection de fuite de courant conçu pour réduire les risques d'incendie. Veuillez vous référer à la section 'Cordon d'alimentation' pour plus de détails. Advenant le cas que le cordon d'alimentation soit endommagé, il ne peut être réparé et doit être remplacé avec un nouveau cordon provenant du fabricant.

- Ce dispositif ne devrait être utilisé sous aucune circonstance pour mettre en marche ou arrêter l'unité.
- Le bouton de 'RESET' doit toujours être enfoncé pour un fonctionnement normal.
- Le cordon d'alimentation doit être remplacé s'il ne se réinitialise pas lorsque le bouton 'TEST' est enfoncé.

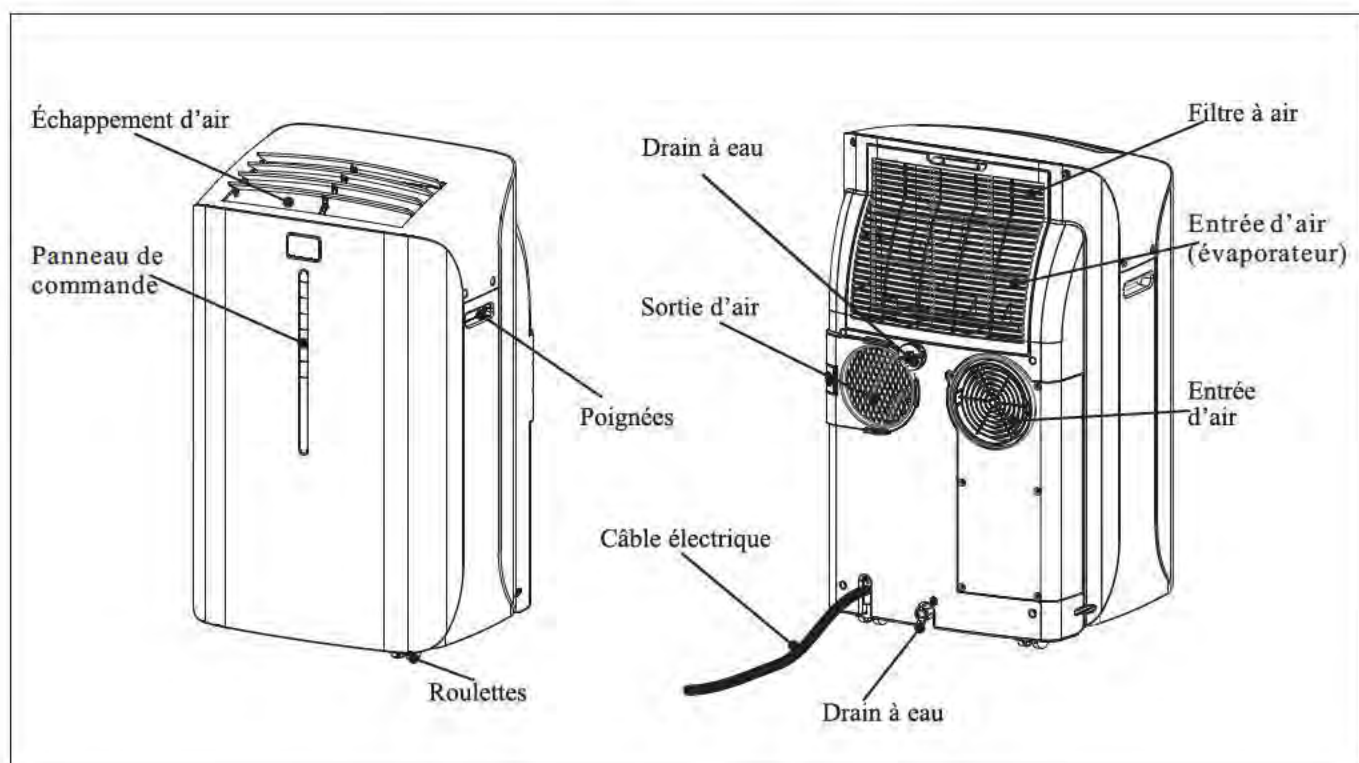
CONSIGNES DE SÉCURITÉ IMPORTANT (suite)

ÉCONOMISEUR D'ÉNERGIE

Votre appareil ménager Danby est conçu pour l'efficacité en économie de l'énergie. Pour le rendement maximal, observer les recommandations qui suivent.

- 1) Choisir un réglage du thermostat qui répond à vos besoins de confort et le laisser au réglage choisi.
- 2) Le filtre à air est très efficace pour éliminer les particules qui flottent dans l'air. Conserver le filtre à air propre en tout temps.
- 3) Utiliser des draperies, des rideaux ou des stores pour prévenir la pénétration et le réchauffement de la pièce par les rayons directs du soleil, mais ne pas permettre la restriction de la circulation d'air autour de l'unité par les draperies ou les rideaux.
- 4) Activer votre climatiseur avant que la température de l'air extérieur ne soit très chaude et inconfortable. Ceci préviendra une période initiale d'inconfort avant que l'unité ne puisse refroidir la pièce. L'usage de la caractéristique de **MINUTERIE** programmable d'arrêt et de mise en marche automatique représente un important avantage à cet effet si elle est utilisée à pleine capacité.
- 5) Quand les températures externes sont suffisamment froides, placer le climatiseur hors de service et utiliser le **MODE DE VENTILATEUR** à la position **HAUTE, MOYENNE ou BASSE**. Ceci fait circuler l'air à l'intérieur de la pièce pour fournir un certain confort de climatisation en utilisant moins d'électricité.

CARACTÉRISTIQUES



INSTALLATION



RISQUE DE CHOC ÉLECTRIQUE: Pour éviter la possibilité de blessures corporelles, débrancher l'alimentation de courant à l'unité avant d'entreprendre l'installation ou le service.

MISE EN GARDE: Pour éviter les difficultés durant l'installation et/ou le fonctionnement, lire ces directives attentivement. Il devrait y avoir au moins 11.8 dégagements (de 30cm) entre l'unité et tous les autres objets ou fondations, et devrait être installé sur une surface de niveau.

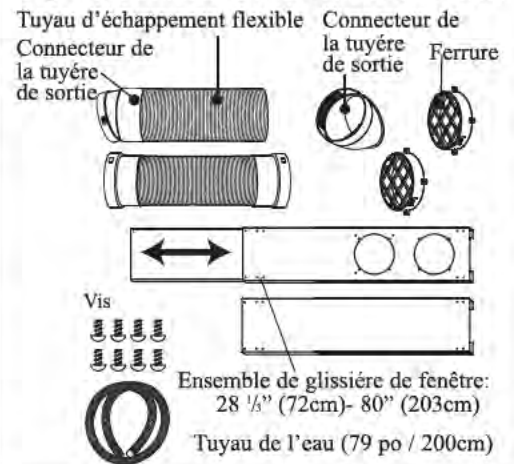
Tuyau d'échappement flexible (ø13 cm) et bec connecteur d'échappement (2mcx)... 1/ensemble de 45 cm (17⁷/₁₀ po) jusqu'à 135 cm (53¹/₂ po)

Tuyau d'échappement flexible (ø11 cm) et bec connecteur d'échappement (2 mcx)... 1/ensemble de 40 cm (15³/₄ po) jusqu'à 130 cm (51¹/₂ po)

Ensemble de portes-fenêtre coulissantes...(3mcx) de 72 cm (28¹/₂ po) jusqu'à 203 cm (80 po)

Ferrures...(2mcx) & Vis...(8mcx)

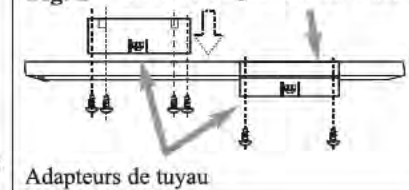
Fig. 1 ACCESSOIRES D'INSTALLATION



Instructions pour assembler le kit d'adaptateur de fenêtre- Fig. 2

- 1) Insérez le tube de raccord à travers l'arrière du panneau de fenêtre.
- 2) Fixez chaque tube de raccord avec quatre vis à travers l'avant du panneau de fenêtre.
- 3) Insérez les extensions de panneau de fenêtre dans le panneau de fenêtre. Serrez légèrement les vis dans le panneau de fenêtre afin de maintenir les extensions en place.

Fig. 2 l'arrière de panneau de fenêtre



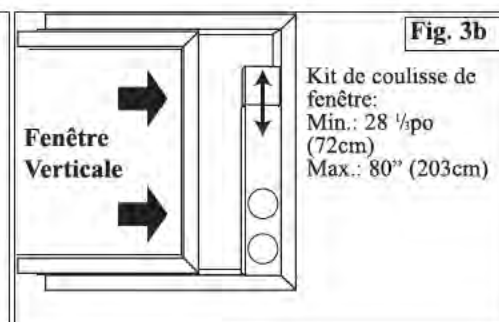
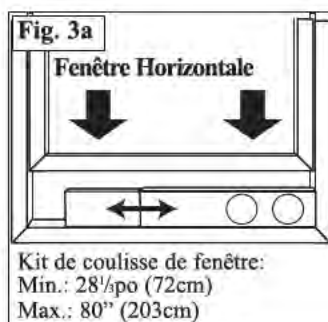
INSTALLATION DU KIT DE FENÊTRE

Mode Climatisation Seulement

Votre kit de fenêtre a été conçu pour l'adaptation à la plupart des fenêtres verticales et/ou horizontales et portes patio standard. Les applications de porte patio sont limitées aux portes atteignant une hauteur maximale de 80 po (203 cm). Deux vis de blocage sont fournies pour joindre ensemble chaque section coulissante.

- 1) Choisissez un endroit approprié, celui est sûr d'avoir accès à une sortie électrique.
- 2) Installez le tuyau flexible sur le dos de l'unité. Insérez le collier de tuyau sur l'ouverture d'échappement et tordez pour fermer en place.

- 3) Installez le kit réglable de glisseur de fenêtre comme nécessaire (voir la fig. 3a & 3b).
- 4) Installez l'autre extrémité du tuyau d'échappement flexible sur l'adaptateur d'échappement de fenêtre.
- 5) Installez l'adaptateur d'échappement de fenêtre sur l'ouverture dans la section de glisseur, en veillant que les sections de glisseur de fenêtre sont bloquées.
- 6) Branchez l'unité à une sortie électrique au sol par 115V/60Hz.



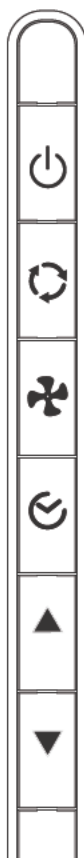
FONCTIONNEMENT

Affichage ACL



- ☀ Mode de climatisation
- ☂ Mode de déshumidification
- 🌀 Mode de ventilateur seulement
- ☀ Mode de chauffage
- 🏔 Vitesse haut du ventilateur
- 🏔 Vitesse moyenne du ventilateur
- 🏔 Vitesse basse du ventilateur
- 88°F/88°C Affiche la température réglée
- 🕒 88hr Affichage de la minuterie réglage de l'interrupteur automatique marche/arrêt
- STOP Lampe témoin: L'appareil arrêtera de fonctionner

DISPOSITIFS DE LE PANNEAU DE COMMANDE



FONCTIONS DU BLOC NUMÉRIQUE INTERRUPTEUR D'ALIMENTATION :

- 🔌 Permet de mettre l'appareil en **MARCHE/ARRÊT**
- 🔄 **MODE:** Vous permet faire défiler et de sélectionner le mode de fonctionnement désiré.
- 🌀 **VENTILATEUR :** Sélectionnez à partir de trois réglages de ventilateur différent; Haut, Moyen et Bas.
- 🕒 **MINUTERIE AUTOMATIQUE**

Arrêt automatique :

Lorsque l'appareil est en fonction, appuyez sur le bouton de la minuterie pour le réglage des commandes de la minuterie. Appuyez sur "▲" ou "▼" pour sélectionner le nombre d'heures que vous voulez que l'appareil fonctionne avant son arrêt automatique.

Mise en marche automatique :

Lorsque l'appareil est en attente, appuyez sur le bouton de la minuterie pour le réglage des commandes de la minuterie. Appuyez sur "▲" ou "▼" pour sélectionner le nombre d'heures avant que l'appareil démarre automatiquement sous n'importe quel mode.

Remarque : Le temps est ajustable entre 1 et 24 heures.

- Réglage de la TEMPÉRATURE

- Utilisé pour ajuster le thermostat.
- La température ambiante est l'affichage par défaut.

En mode climatisation, lorsque vous appuyez sur "▲" ou "▼" la température réglée est affichée et peut être ajustée. Après 10 secondes l'affichage revient à la température ambiante. La température est ajustable seulement en mode climatisation.

Remarque : En appuyant sur les deux boutons "▲" / "▼" en même temps pendant plus de 3 secondes, l'affichage alternera entre les degrés Celsius et Fahrenheit.

FONCTIONNEMENT (suite)

CLIMATISEUR:

NOTE: Le tuyau flexible pour l'échappement d'air doivent être installés pour le fonctionnement en mode de climatisation

- 1) Appuyer sur la touche INTERRUPTEUR (Fig. A) pour activer l'unité et le réglage précédent du température sera montrée dans l'affichage de la température sur le panneau de commande.
 - 2) Appuyer sur la touche MODE (Fig. B) jusqu'à l'indicateur du mode Climatiseur illumine sur le panneau du commande (Fig. C). Chaque dépression sur la touche MODE avancera l'affichage à un réglage de mode différent (Climatiseur - Déshumidificateur - Ventilateur - Chauffage).
 - 3) Appuyer sur le touche augmenter ou diminuer (RÉGLAGE DE TEMPÉRATURE) (Fig. D) pour choisir un réglage de température appropriée. Les réglages de température sont réglables entre 16°C (61°F) à 32°C (89°F).
 - 4) Appuyer sur la touche VENTILATEUR (Fig. E) pour choisir le réglage de la vitesse désirée du ventilateur (Haut-Moyenne-Basse). Votre sélection apparaîtra sur le panneau de commande (chaque dépression de la touche du ventilateur avancera l'indicateur au prochain réglage).
- La climatisation cesse automatiquement quand la température réglée est atteinte. La climatisation résume quand la température de la pièce s'élève au-dessus de la température réglée.

ÉGOUTTER L'EXCÈS D'EAU

1) Égouttez l'excès d'eau du réservoir en mettant un bac d'égouttement sous l'orifice de sortie de l'eau d'égouttement (Fig. 4).

2) Dévissez la plaque d'égouttement, enlevez le bouchon en caoutchouc souple, et laissez égoutter l'eau dans le bac. Lorsque l'eau aura cessé de couler, remplacez le bouchon en caoutchouc souple et resserrez la plaque d'égouttement.

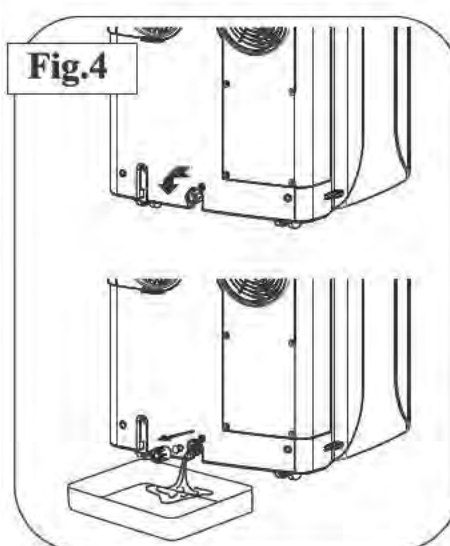
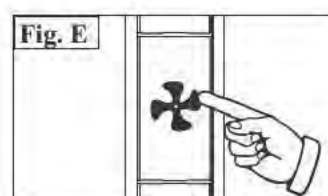
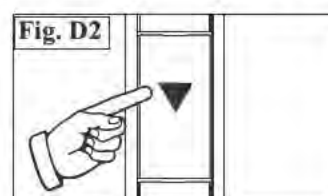
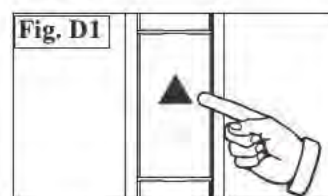
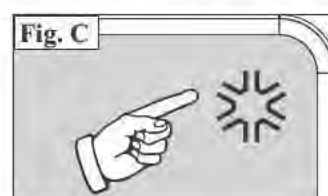
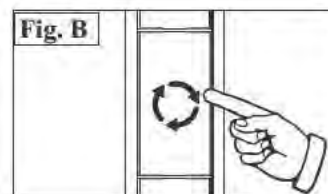
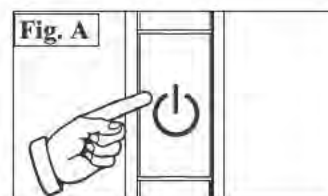
3) Enlevez le bac d'eau.

4) Faire fonctionner l'appareil en mode « ventilateur » pour sécher son intérieur.

VENTILATEUR:

NOTE: L'installation du tuyau flexible pour l'échappement d'air n'est pas requise pour le fonctionnement en mode de ventilation seulement.

- 1) Appuyer sur la touche INTERRUPTEUR pour activer l'unité (Fig. A).
- 2) Appuyer sur la touche MODE (Fig. B) jusqu'à l'affichage du symbole VENTILATEUR sur le panneau de commande (Fig. G). Chaque dépression sur la touche MODE avancera l'affichage à un réglage de mode différent (Climatiseur - Déshumidificateur - Ventilateur - Chauffage).
- 3) Appuyer sur la touche VENTILATEUR (Fig. E) pour choisir la VITESSE DE VENTILATEUR désirée. Votre réglage apparaîtra sur le panneau du commande. Chaque dépression sur la touche VENTILATEUR avancera l'affichage à un réglage de vitesse différente (Haut-Moyenne-Basse) (Fig. F).



FONCTIONNEMENT (suite)

DÉSHUMIDIFICATEUR

REMARQUE: L'installation du tuyau flexible pour l'échappement d'air n'est pas requise pour le fonctionnement en mode de Déshumidification.

- 1) Appuyer sur la touche INTERRUPTEUR pour activer l'unité (Fig. H).
- 2) Appuyer sur la touche MODE (Fig. I) jusqu'à l'affichage du symbole Déshumidification sur le panneau de commande (Fig. J). Chaque dépression sur la touche MODE avancera l'affichage à un réglage de mode différent (Climatiseur - Déshumidificateur - Ventilateur - Chauffage).

IMPORTANT : Il n'y a aucun ajustement de la température pendant le mode de déshumidificateur. La vitesse de l'hélice est fixe à à vitesse réduite.

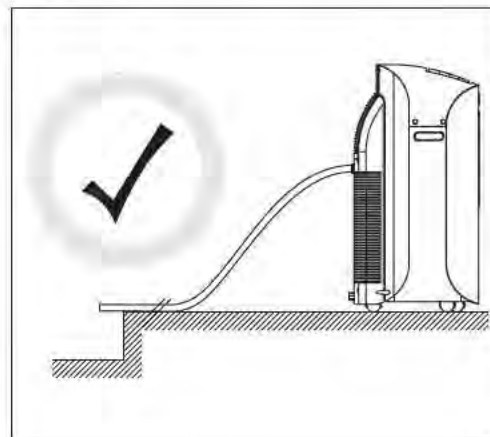
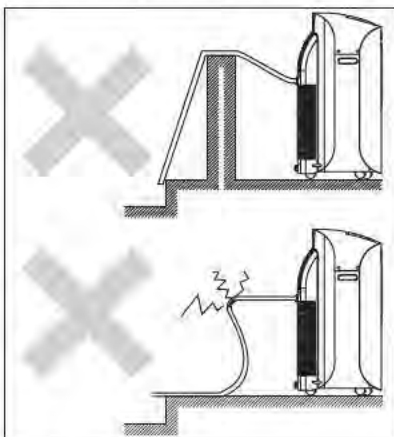
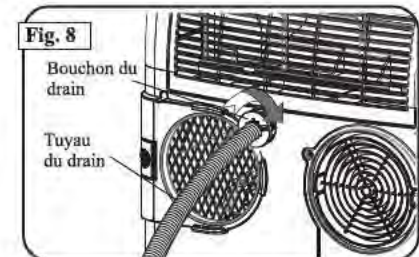
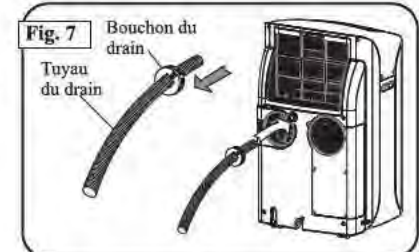
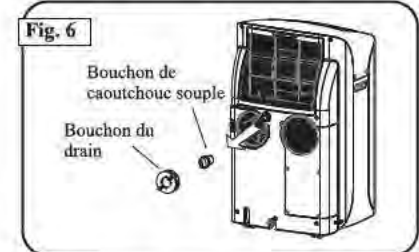
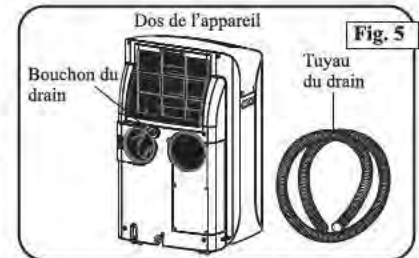
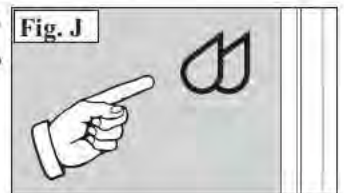
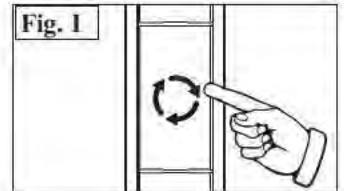
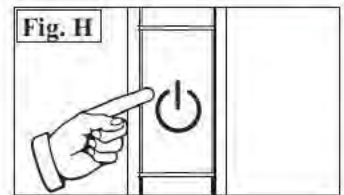
IMPORTANT: Le tuyau de vidange doit être installé au cours de déshumidificateur. La fonction de drainage continue peut être effectuée en suivant les étapes suivantes, s'il existe de bonnes conditions de drainage à proximité de l'appareil.

- 1) Pour éviter d'avoir à vider périodiquement le réservoir d'eau, cet appareil peut être configuré pour le drainage continu. Vous pouvez utiliser le tuyau de drainage fourni pour connecter sur le connecteur de drainage continu.
- 2) Dévissez et enlevez le bouchon du drain à l'arrière de l'appareil. (Fig. 5)
- 3) Enlevez le bouchon de caoutchouc souple. Placez-le dans le réservoir d'eau pour le conserver en lieu sûr. (Fig. 6)
- 4) Insérez le tuyau de drainage à travers le trou du bouchon de drainage (Fig. 7).
- 5) Assurez que l'anneau de joint en caoutchouc est correctement posé à la fin du tuyau comme montré ici, à la Fig. 7.
- 6) Connectez le tuyau de drainage au port de drainage (Fig. 8).
- 7) Serrez le bouchon de drainage dans le sens des aiguilles d'une montre sur le dos de l'appareil (Fig. 8).

INSTALLATION DE DRAINAGE EN PVC

orsque vous utilisez la fonction de drainage continue, le tuyau de PVC doit être placé horizontalement en-dessous du trou de drainage. Evitez les planchers inégaux et que le tuyau soit plié.

NOTE: Si vous endommagez ou mal placez la tuyauterie souple de vidange de PVC, un tuyau de jardin standard peut être utilisé.

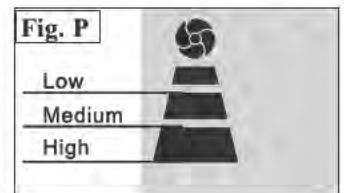
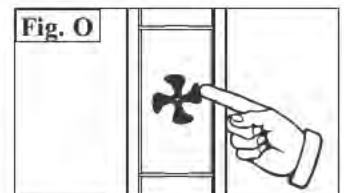
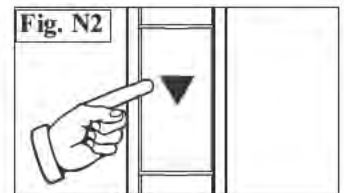
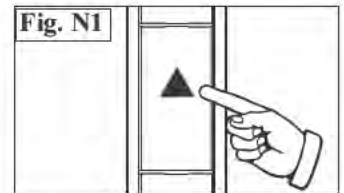
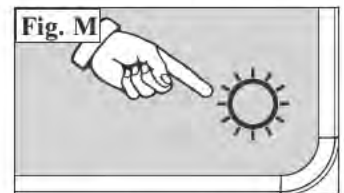
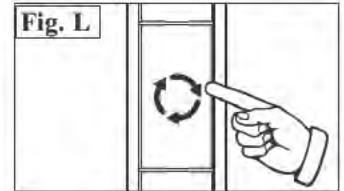
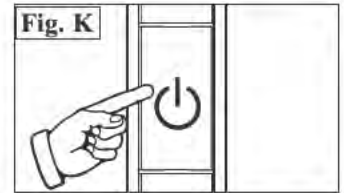


FONCTIONNEMENT (suite)

CHAUFFAGE:

NOTE: Le tuyau flexible pour l'échappement d'air doivent être installés pour le fonctionnement en mode de climatisation

- 1) Appuyer sur la touche INTERRUPTEUR (Fig. K) pour activer l'unité et le réglage précédent du température sera montrée dans l'affichage de la température sur le panneau de commande.
 - 2) Appuyer sur la touche MODE (Fig. L) jusqu'à l'indicateur du mode Chauffage illumine sur le panneau du commande (Fig.M). Chaque dépression sur la touche MODE avancera l'affichage à un réglage de mode différent (Climatiseur - Déshumidificateur - Ventilateur - Chauffage).
 - 3) Appuyer sur le touche augmenter ou diminuer (RÉGLAGE DE TEMPÉRATURE) (Fig. N) pour choisir un réglage de température appropriée. Les réglages de température sont réglables entre 16°C (61°F) à 25°C (77°F).
 - 4) Appuyer sur la touche VENTILATEUR (Fig. O) pour choisir le réglage de la vitesse désirée du ventilateur (Haut-Moyenne-Basse). Votre sélection apparaîtra sur le panneau de commande (chaque dépression de la touche du ventilateur avancera l'indicateur au prochain réglage).
- La chauffage cesse automatiquement lorsque la température réglée est atteinte. Il reprend dès que la température ambiante devient inférieure à la température réglée.



ÉGOUTTER L'EXCÈS D'EAU

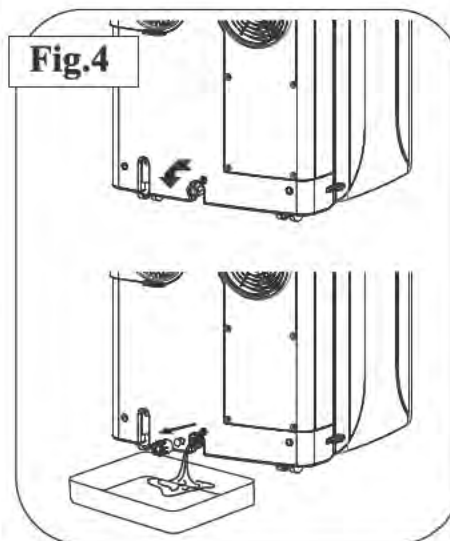
Lorsque l'appareil est en mode chauffage, l'eau doit être complètement égouttée.

1) Égouttez l'excès d'eau du réservoir en mettant un bac d'égouttement sous l'orifice de sortie de l'eau d'égouttement (Fig. 4).

2) Dévissez la plaque d'égouttement, enlevez le bouchon en caoutchouc souple, et laissez égoutter l'eau dans le bac. Lorsque l'eau aura cessé de couler, remplacez le bouchon en caoutchouc souple et resserrez la plaque d'égouttement.

3) Enlevez le bac d'eau.

Remarque : Lorsque l'appareil est en mode chauffage, si le réservoir à eau est plein et que l'appareil cesse de fonctionner, videz le réservoir et redémarrez l'appareil.



FONCTIONNEMENT (suite)

MINUTERIE AUTOMATIQUE

Le dispositif de MINUTERIE AUTOMATIQUE offre un choix unique de choix multiple, complètement automatique sur et/ou outre des programmes (de début et de fin) entre 1-24 heures sous n'importe quel mode de votre unité à la maison de confort.

Les programmes sont comme suit :

a) Automatique-Au loin : Pré-sélectionnez une période qui arrêtera l'unité automatiquement (entre 1-24hrs).

b) Automatique-Sur : Pré-sélectionnez une période qui allumera l'unité automatiquement (entre 1-24hrs).

CARACTÉRISTIQUES DE TÉLÉCOMMANDE

Boutons De Commande:

1) Commutateur de courant

2) Mode

3) Vitesse du Ventilateur

4) Minuterie Marche/Arrêt (On/Off)

5) Réglage de l'heure/température

• Utilisé pour régler la minuterie et la température.

• La température ambiante est l'affichage par défaut sur le panneau de commande.

• Lorsque vous appuyez sur le bouton "+" ou "-" en mode climatisation, la température réglée est affichée et peut être ajustée. Après 10 secondes l'affichage revient à la température ambiante.

• Le réglage de la minuterie disponible est de 1 à 24 heures en appuyant sur la touche "+" ou "-" .

Deux piles alcalines «AAA» sont requises pour le fonctionnement de la télécommande (incluses).

Les piles devraient être remplacées quand: Remplacez les batteries comme ensemble simultané de s.

1) Glisser le couvercle du compartiment des piles à l'arrière de la télécommande dans le sens de la flèche. Tirer délicatement jusqu'à ce que le couvercle se sépare complètement de l'unité.

2) Insérer deux (2) piles (AAA) en observant la polarité indiquée dans le compartiment des piles (+ / -).

3) Réinstaller le couvercle.

4) Si la télécommande ne sera pas utilisée pour des périodes prolongées (vacances, etc.), les piles devraient être retirées de la télécommande. La télécommande fonctionnera en dedans d'une distance de 8 mètres (26pi.) du récepteur situé à l'intérieur de l'unité principale. Toute obstruction entre le récepteur et la télécommande pourrait causer une interférence au signal, ce qui limiterait la capacité de programmation de l'unité principale.

Remarque: Le température est affiché sur l'affichage électronique en échelle Celcius seulement.

Remarques :

1) N'échappez pas la télécommande.

2) Ne placez pas la télécommande en plein soleil.

3) Protégez la télécommande contre les hautes températures et éloignez-la des radiations.

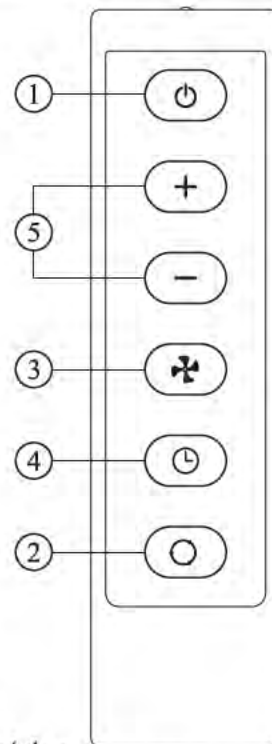
4) Ne placez pas le récepteur du panneau de commande en plein soleil.

5) Si vous prévoyez laisser la télécommande inutilisée pendant une longue période (par exemple, durant vos vacances), retirez les piles.

6) Ne combinez pas des piles usagées et des piles neuves.

7) Ne combinez pas des piles alcalines et des piles ordinaires (carbone-zinc) ou des piles rechargeables (NiCad, NiMH, etc.).

8) Cet appareil numérique de classe B est conforme à la norme NMB-003.



FONCTIONNEMENT (suite)

9) La télécommande doit se trouver dans un rayon de 8 m autour du récepteur installé dans le climatiseur. Tout obstacle entre le récepteur et la télécommande risque de provoquer l'interférence des signaux, ce qui nuit à la programmation du climatiseur.

Remarque : Cet appareil a été testé et déclaré conforme aux limites imposées aux appareils numériques de classe B, en vertu de l'alinéa 15 du règlement de la FCC. Ces limites sont destinées à assurer une protection raisonnable contre les interférences nuisibles dans un environnement résidentiel. Cet appareil génère, utilise et peut émettre de l'énergie radiofréquence et, s'il n'est pas installé et utilisé conformément aux instructions, risque de provoquer des interférences nuisibles lors de la réception d'émissions de radio ou de télévision (il suffit, pour le vérifier, d'allumer et d'éteindre successivement l'appareil); s'il constate de telles interférences, l'utilisateur devra prendre les mesures nécessaires pour les éliminer. À cette fin, il devra :

- 1) Réorienter ou déplacer l'antenne réceptrice.
- 2) Accroître la distance entre l'appareil et le récepteur.
- 3) Brancher l'appareil sur une prise de courant appartenant à un autre circuit que celui du récepteur.
- 4) Chercher de l'aide auprès du détaillant ou d'un technicien en radio ou en télévision expérimenté.

SOINS ET ENTRETIEN

NETTOYAGE DE L'UNITÉ

MISE EN GARDE: Avant de nettoyer ou de faire le service sur cette unité, il est recommandé de débrancher le cordon d'alimentation de la prise de courant électrique.

- 1) **NE PAS** utiliser d'essence, de benzène, de diluant ou tous autres produits chimiques pour nettoyer cette unité. Ces substances pourraient causer des dommages au fini et une déformation des pièces en plastique.
- 2) **NE JAMAIS** tenter de nettoyer l'unité en versant de l'eau directement sur l'une ou l'autre des surfaces car ceci causera une détérioration des pièces électriques et de l'isolation des fils.

NETTOYAGE DES FILTRES À AIR

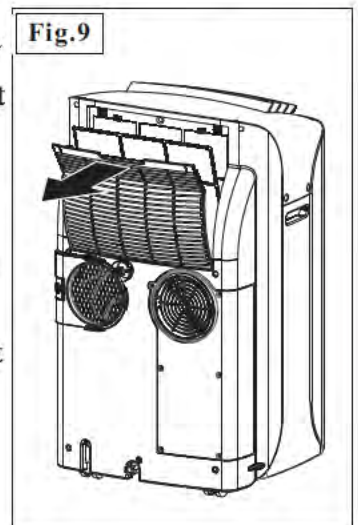
MISE EN GARDE: Ne jamais utiliser l'unité sans le filtre à air en position. Ceci pourrait causer des dommages à l'unité.

Si les filtres à air devient bloqué par la poussière et/ou la saleté, une restriction de la circulation d'air se produira et le rendement de climatisation sera réduit. Les filtres à air devrait être nettoyé aux deux (2) semaines. Le nettoyage plus fréquent pourrait être nécessaire selon la qualité de l'air interne.

REMARQUE: Le filtre à air est situé à la partie supérieure arrière de l'unité.

- 1) Pour enlever le filtre à air : Tirez la couverture de filtre à air vers le haut dans la direction de la flèche (Fig. 9) et enlevez le filtre à air.
- 2) La poussière/saleté a obstrué dans le filtre peut être enlevée par le vide nettoyant les secteurs salis.
- 3) Le filtre peut également être lavé dans l'eau tiède et savonneuse tout en la frottant légèrement avec une brosse. Un détergent doux (liquide diswashing) est recommandé.
- 4) Rincez le filtre bien utilisant l'eau propre. Accordez l'heure de sécher avant la réinstallation dans l'unité.
- 5) Remplacez le filtre à air et le couvrez.
- 6) L'information de filtre à air de remplacement est disponible en entrant en contact avec le département de service à la clientèle à :

Fig.9



1-800-26-Danby®(1-800-263-2629)

DÉPANNAGE

De temps en temps, un problème peut se poser qui est mineur, et une intervention peut ne pas être nécessaire. Employez ce guide de dépannage pour une solution possible. Si l'unité continue à fonctionner incorrectement, demandez un dépôt autorisé de service ou le numéro de appel sans frais Danby: **1-800-26-Danby®**

PROBLEME	CAUSE PROBABLE	SOLUTION
1) L'unité ne fonctionne pas.	<ul style="list-style-type: none"> • Il n'y a pas d'alimentation. • La fiche n'est pas branchée adéquatement. • L'indicateur du réservoir plein est en MARCHE; le réservoir est plein. • Fuite actuelle ou appuie sur le bouton de test de la fiche LCDI. 	<ul style="list-style-type: none"> • Attendez que l'alimentation revienne. • Branchez adéquatement. • Enlevez l'eau du drain du réservoir du drain. • Appuyez sur le bouton de réinitialisation après avoir résolu le problème.
2) L'unité arrête soudainement durant son fonctionnement.	<ul style="list-style-type: none"> • La température intérieure réglée a été atteinte. • Le temps réglé est terminé. • L'indicateur du réservoir plein est en MARCHE; le réservoir est plein. 	<ul style="list-style-type: none"> • Réinitialisez le niveau de la température. • Réinitialisez la minuterie. • Enlevez l'eau du drain du réservoir du drain.
3) L'unité fonctionne de façon intermittente.	<ul style="list-style-type: none"> • Défaillance • La température ambiante est trop élevée/basse. • Le tuyau d'échappement est bloqué. 	<ul style="list-style-type: none"> • Contactez votre marchand. • Ceci est tout à fait normal. • Vérifiez le tuyau d'échappement.
4) L'unité fonctionne, mais la pièce n'est pas refroidie.	<ul style="list-style-type: none"> • La fenêtre ou la porte de la pièce est ouverte. • Il y a une source de chaleur ou trop de gens dans la pièce. • La grille de prise d'air est obstruée • Le filtre est trop sale • Le réglage de la température est trop élevé. 	<ul style="list-style-type: none"> • Fermez toutes les fenêtres/portes • Enlevez toute source de chaleur de la pièce. • Nettoyez la grille de prise d'air. • Remplacez le filtre. • Abaissez le réglage de la température.
5) De l'eau condensée s'égoutte lors du déplacement de l'unité.	<ul style="list-style-type: none"> • Le réservoir est pratiquement plein. 	<ul style="list-style-type: none"> • Enlevez le bouchon du drain au bas à l'arrière et videz l'eau.

Danby
Premiere.

GARANTIE LIMITÉE SUR APPAREIL ÉLECTROMÉNAGER À DOMICILE

Cet appareil de qualité est garanti exempt de tout vice de matière première et de fabrication, s'il est utilisé dans les conditions normales recommandées par le fabricant.

Cette garantie n'est offerte qu'à l'acheteur initial de l'appareil vendu par Danby Products Limited (Canada) ou Danby Products Inc. (E.-U. d'A) (ci-après "Danby") ou par l'un des ses distributeurs agréés et elle ne peut être transférée.

CONDITIONS

Les pièces en plastique sont garanties pour trente (30) jours seulement à partir de la date de l'achat, sans aucune prolongation prévue.

Première 24 mois Pendant les vingt quatre (24) mois, toutes pièces fonctionnelles de ce produit s'avèrent défectueuses, seront réparées ou remplacées, selon le choix du garant, sans frais à l'acheteur INITIAL.

Pour bénéficiaire du Service Le client sera responsable pour le transport et tous les frais d'expédition de tout appareil exigeant le service au dépôt de service autorisé le plus proche. S'adresser au détaillant qui a vendu l'appareil, ou à la station technique agréée de service la plus proche, où les réparations doivent être effectuées par un technicien qualifié. Si les réparations sont effectuées par quiconque autre que la station de service agréée ou à des fins commerciales, toutes les obligations de Danby en vertu de cette garantie seront annulées.

Limites de l'entretien à domicile Si l'appareil est installé à plus de 100 kilomètres (62 milles) du centre de service le plus proche, il doit être livré à l'atelier de réparation autorisé par Danby le plus proche, car l'entretien doit uniquement être réalisé par un technicien qualifié et certifié pour effectuer un entretien couvert par la garantie de Danby. Les frais de transport entre votre domicile et le lieu de l'entretien ne sont pas couverts par la présente garantie et doivent être acquittés par l'acheteur.

Cette garantie indique en aucun temps la responsabilité de Danby de l'avarie ou dommage de la vin ou autre contenu, soit par les vices de l'appareil, ou soit par l'utilisation convenable ou inexacte.

EXCLUSIONS

En vertu de la présente, il n'existe aucune autre garantie, condition ou représentation, qu'elle soit exprimée ou tacite, de façon manifeste ou intentionnelle, par Danby ou ses distributeurs agréés. De même, sont exclues toutes les autres garanties, conditions ou représentations, y compris les garanties, conditions ou représentations en vertu de toute loi régissant la vente de produits ou de toute autre législation ou règlement semblables.

En vertu de la présente, Danby ne peut être tenue responsable en cas de blessures corporelles ou des dégâts matériels, y compris à l'appareil, quelle qu'en soit les causes. Danby ne peut pas être tenue responsable des dommages indirects dus au fonctionnement défectueux de l'appareil. En achetant l'appareil, l'acheteur accepte de mettre à couvert et de dégager Danby de toute responsabilité en cas de réclamation pour toute blessure corporelle ou tout dégât matériel causé par cet appareil.

CONDITIONS GÉNÉRALES

La garantie ou assurance ci-dessus ne s'applique pas si les dégâts ou réparations sont dus aux cas suivants:

- 1) Panne de courant.
- 2) Dommages subis pendant le transport ou le déplacement de l'appareil.
- 3) Alimentation électrique incorrecte (tension faible, câblage défectueux, fusibles incorrects).
- 4) Accident, modification, emploi abusif ou incorrect de l'appareil tel qu'une circulation d'air inadéquate dans la pièce ou des conditions de fonctionnement anormales (température extrêmement élevée ou basse).
- 5) Utilisation dans un but commercial ou industriel (à savoir, si l'appareil n'est pas installé dans un domicile résidentiel).
- 6) Incendie, dommages causés par l'eau, vol, guerre, émeute, hostilités, cas de force majeure (ouragan, inondation, etc.).
- 7) Visites d'un technicien pour expliquer le fonctionnement de l'appareil au propriétaire.
- 8) Installation inappropriée (par exemple, encastrement d'un appareil autoportant, ou utilisation extérieure d'un appareil non conçu à cet effet).

Une preuve d'achat doit être présentée pour toute demande de réparation sous garantie. Prière de garder le reçu. Pour faire honorer la garantie, présenter ce document à la station technique agréée ou s'adresser à:

Service sous-garantie
Service au domicile

Danby Products Limited
PO Box 1778, Guelph, Ontario, Canada N1H 6Z9
Telephone: (519) 837-9920 FAX: (519) 837-0449

1-800-263-2629

04/09

Danby Products Inc.
PO Box 669, Findlay, Ohio, U.S.A. 45840
Telephone: (419) 425-8627 FAX: (419) 425-8629

Danby Premiere®

DPA110DHA1CP

For service, contact your nearest service depot or call:

1-800-26- Danby®
(1-800-263-2629)

to recommend a depot in your area.

Pour obtenir le service, consultez votre centre de service le plus rapproché ou composez le:

1-800-26- Danby®
(1-800-263-2629)

vous recommandera un centre régional.

PORTABLE AIR CONDITIONER

The model number can be found on the serial plate located on the back panel of the unit.

All repair parts are available for purchase or special order when you visit your nearest service depot. To request service and/or the location of the service depot nearest you, call the TOLL FREE NUMBER.

When requesting service or ordering parts, always provide the following information:

- **Product Type**
- **Model Number**
- **Part Number**
- **Part Description**

CLIMATISEUR PORTATIF

Le numéro de modèle se trouve sur la plaque d'information sur le panneau arrière de l'appareil.

Toutes les pièces de rechange ou commandes spéciales sont disponibles à votre centre de service régional autorisé.

Pour obtenir le service et/ou la localité de votre centre de service régional, signalez le NUMÉRO D'APPEL SANS FRAIS.

Ayez les renseignements suivants à la portée de la main lors de la commande de pièce ou service:

- **Type de produit**
- **Numéro de modèle**
- **Numéro de pièce**
- **Description de la pièce**

Danby Products Ltd, Guelph, Ontario Canada N1H 6Z9
Danby Products Inc, Findlay, Ohio USA 45840

Free Manuals Download Website

<http://myh66.com>

<http://usermanuals.us>

<http://www.somanuals.com>

<http://www.4manuals.cc>

<http://www.manual-lib.com>

<http://www.404manual.com>

<http://www.luxmanual.com>

<http://aubethermostatmanual.com>

Golf course search by state

<http://golfingnear.com>

Email search by domain

<http://emailbydomain.com>

Auto manuals search

<http://auto.somanuals.com>

TV manuals search

<http://tv.somanuals.com>