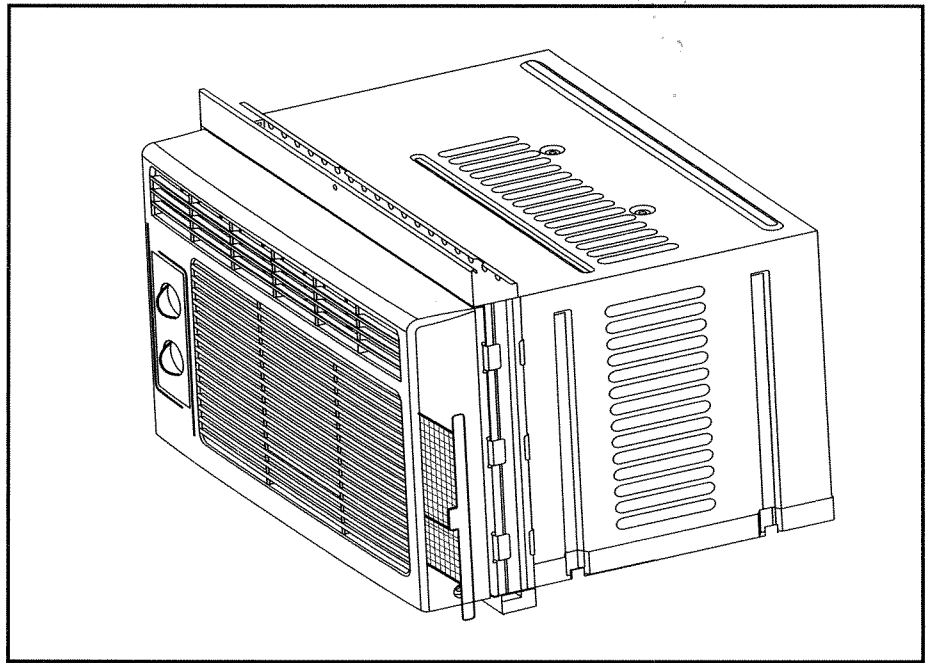


Simplicity

**USE AND CARE
MANUAL
MANUEL
D'UTILISATION**

Model • Modèle

SAC5207M



CAUTION:

Read and Follow All Safety Rules
and Operating Instructions Before
First Use of This Product.

PRÉCAUTION:

Veillez lire attentivement
les consignes de sécurité et les
instructions d'utilisation avant
l'utilisation initiale de
ce produit.

Simplicity

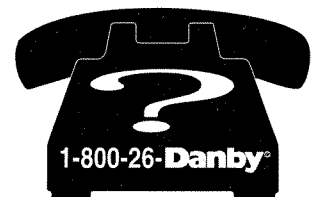
Room Air Conditioner

Table of contents 1

Simplicity

Climatiseur de pièce

Table of contents 11

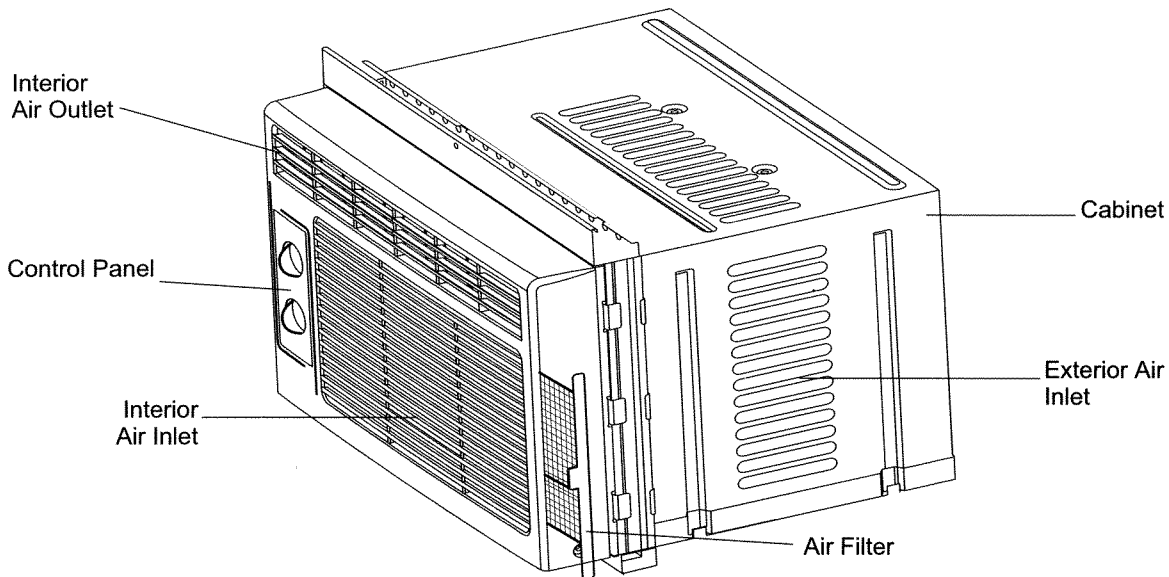


Danby Products Limited, Guelph, Ontario Canada N1H 6Z9
Danby Products Inc., Findlay, Ohio USA 45839-0669

Table of Contents

	Page
Introduction	2
Electrical Specifications	3
Energy-Saving Tips	4
Installation Notes & Hardware	4
Installation	5
Operating Instructions	7
Care and Maintenance	8
Trouble Shooting Guide	9
Warranty	10

Parts Identification Model SAC5207M



Specifications		SAC5207M	
Voltage		115V/50Hz	
Cooling Capacity (Btu/h)		5,200	
Input Wattage		530	
Energy Efficiency Rating (EER)		9.7	
Fan/Cooling Speeds		2/2	
Cooling Area Coverage		175Sq.ft. (16.3m ²)	
Noise Level (dB)		56	
Unit Dimensions		Width	16-1/4" (41.3cm)
		Depth	13-1/4" (33.6cm)
		Height	12-1/4" (31.1cm)
Window Kit Dimensions		Maximum Width	40-1/2" (102.2cm)
		Minimum Width	25" (63.5cm)
		Minimum Height	14" (35.6cm)
Unit Weight		40lb	(18Kg)

NOTE: Specifications are subject to change without notice for further improvement.

Introduction

Thank you for choosing a Simplicity Room Air Conditioner to cool your home. This Use and Care Manual provides information necessary for the proper care and maintenance of your new Room Air Conditioner. If properly maintained, your air conditioner will give you many years of trouble free operation. To avoid installation difficulties, read these instructions completely before installing/operating your unit.

NOTE: This unit is **NOT** designed for through-the-wall installation.

For easy reference, you may want to attach a copy of your sales receipt to this page. Note following information provided (*on the manufacturer's nameplate located on the right side of the unit*). This information will be needed when you contact a Customer Service Representative.

Model Number: **SAC5207M**

Serial Number: _____



Date of Purchase: _____

Dealer's Name and Address: _____

Refer to the trouble shooting section of this Use and Care Manual if the unit is not operating correctly. If these suggestions do not solve the problem, contact an authorized service representative or call Danby TOLL FREE: **1-800-26-Danby**

Keep these instructions for future reference.
This symbol denotes a caution or warning



	CAUTION	
Do not leave a room air conditioner unattended in a space where people or animals who cannot react to a failed unit are located. A failed unit can cause extreme overheating and fire in an enclosed, unattended space.		


Electrical Specifications

1. All wiring must comply with local and national electrical codes and must be installed by a qualified electrician. If you have any questions regarding the following instructions, contact a qualified electrician.
2. Check available power supply and resolve any wiring problems BEFORE installing and operating this unit.
3. This 115V air conditioner uses 12.0 or less nameplate amps and may be used in any properly wired, general purpose household receptacle. See Table 1 for specifications for individual branch circuit.
4. For your safety and protection, this unit is grounded through the power cord plug when plugged into into a matching wall outlet. If you are not sure whether your wall outlet is properly grounded, please consult a qualified electrician.
5. The wall outlet (3-pin) must match the plug (3-pin) on the service cord supplied with the unit. DO NOT use plug adapters. See Table 2 for receptacle and fuse information. If it is necessary to use an extension cord to connect your air conditioner, use an approved "air conditioner" extension cord only. (available at most local hardware stores)
6. The rating plate on the unit contains electrical and other technical data. The rating plate is located on the right side of the unit, above the power cord.

Table 1: Suggested Individual Branch Circuit

Nameplate Amps	AWG Wire Size*
5.0 to 12	16
AWG- American Wire Gage	
* Based on copper wire at 105 °C temperature rating.	

Table 2: Receptacle and Fuse Types

Rated Volts	125
Amps	13
Wall Outlet	
Fuse Size	15
Time Delay Fuse (or circuit breaker)	Plug Type

⚠ Important Safety Instructions ⚠

The power cord supplied with this air conditioner contains a current leakage detection device designed to reduce the risk of fire. Please refer to the section " Power Supply Cord" for details. In the event the power supply cord is damaged, it cannot be repaired it must be replaced with a new cord from the Product Manufacturer.

- Under no circumstances should this device be used to turn the air conditioner on or off.
- The 'RESET' button must always be pushed in (engaged) for correct operation.
- The power supply cord must be replaced if it fails to reset when the 'TEST' button is pushed in.
- If the power supply cord is damaged, it cannot be repaired. It must be replaced with a new cord obtained from the Product Manufacturer.

Power Supply Cord

The power cord supplied with this air conditioner contains a device that senses damage to the power cord. To test if your power supply cord is working properly . you must do the following;

1. Connect the power supply cord to an electrical outlet.
2. The power supply cord is inclusive of two buttons located on the head of the plug. One button is marked 'TEST', the other button is marked 'RESET'. Press the 'TEST' button, you will hear a click as the 'RESET' button pops out.
3. Press the 'RESET' button, you will hear a click as the button engages.
4. The power supply cord is now energized and supplying electricity to the air conditioner. (On some products this is also indicated by a light on the plug head).

Energy-Saving Tips

Your Room Air Conditioner is designed to be highly efficient in energy savings. Follow these recommendations for greater efficiency.

1. Select thermostat setting that suits your comfort needs and leave thermostat at that chosen setting.
2. The filter is very efficient in removing airborne particles. Keep air filter clean. Normally, filter should be cleaned every 2 weeks. More frequent cleaning may be necessary depending on indoor air quality.
3. Use drapes, curtains, or shades to keep direct sunlight from heating room, but **DO NOT** obstruct the air conditioner. Allow air to circulate around the unit without obstruction.

4. Start your air conditioner before outdoor air becomes hot and uncomfortable. This avoids an initial period of discomfort while unit is cooling off the room.
5. When outdoor temperatures are cool enough, use **HIGH** or **LOW FAN** only. This circulates indoor air, providing some cooling comfort, and utilizes less electricity than when operating on a cooling setting.

Installation Notes



Electric Shock Hazard

To avoid the possibility of personal injury, disconnect power to the unit before installing or servicing.

Tools Needed for Installation

Screw Drivers: Both Phillips and flat head
Power Drill: 1/8 inch(3.2mm) diameter drill bit
Pencil
Measuring Tape
Scissors
Carpenters Level



CAUTION

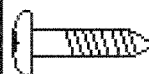


To avoid installation/operation difficulties, read these instructions thoroughly.

Your Room Air Conditioner is designed for easy installation in a single or double-hung window. This unit is **NOT** designed for vertical (slider type) windows and/or through-the-wall applications.

NOTE: Save the shipping carton and packing materials for future storage or transport of the unit. Remove from carton, the plastic bag containing the installation hardware kit necessary for the installation of your air conditioner. Please check the contents of hardware kit against the corresponding model check list, prior to installation of the unit. See Fig. 1

Installation Hardware



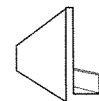
3/4" (19.1mm)
Screws (9)



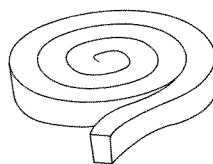
3/8" (9.5mm)
Screws (4)



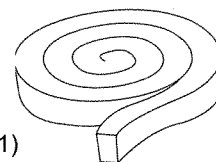
Safety Lock (1)



"L" Shaped
mounting
bracket (1)



Adhesive
Foam Seal (1)



Regular
Foam Seal (1)

Side Curtain RH (1)
Side Curtain LH (1)

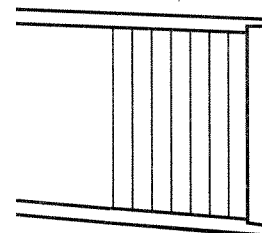
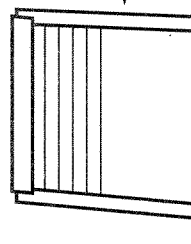


Fig. 1



CAUTION



Because the compressor is located on the controls side of the unit (left side), this side will be heavier and more awkward to manipulate. Inadequate support on control side of the unit can result in personal injury and damage to your unit and property. Therefore, it is recommended to have someone assist you during the installation of this unit.

Your unit is designed to evaporate condensation under normal conditions. However, under extreme humidity conditions, excess condensation may cause basepan to overflow to the outside. The Unit should be installed where condensation run-off cannot drip on pedestrians or neighboring properties.

Installation

Select the Best Location

- A. This room air conditioner is designed to fit easily into a single or double hung window. However, since window designs vary, it may be necessary to make some modifications for safe, proper installation.
- B. Make sure window and frame are structurally sound and free from dry and rotted wood.
- C. For maximum efficiency, install the air conditioner on a side of a house or building which favors more shade than sunlight. If the unit is in direct sunlight, it is advisable to provide an awning over the unit.
- D. Provide sufficient clearance around the cabinet to allow for ample air circulation through the unit. See Fig. 2. The rear of the unit should be outdoors and not in a garage nor inside a building. Keep unit as far away as possible from obstacles/obstructions and at least 30" (76.2cm) above the floor or ground. Curtains and other objects within a room should be prevented from blocking the air flow.
- E. Be certain the proper electrical outlet is within reach of the installation. Use only a single outlet circuit rated at 15 amps. All wiring should be in accordance with local and national electrical codes.
- F. **DO NOT USE "REGULAR" EXTENSION CORDS WITH THIS UNIT.** If it is necessary to use an extension cord to connect your air conditioner, use an approved "air conditioner" extension cord only. (available at most local hardware stores)
- G. **DO NOT** install unit where leakage of combustible gas is suspected. Your air conditioner may fail to operate in air containing oils (including machine oils), sulfide gas, near hot

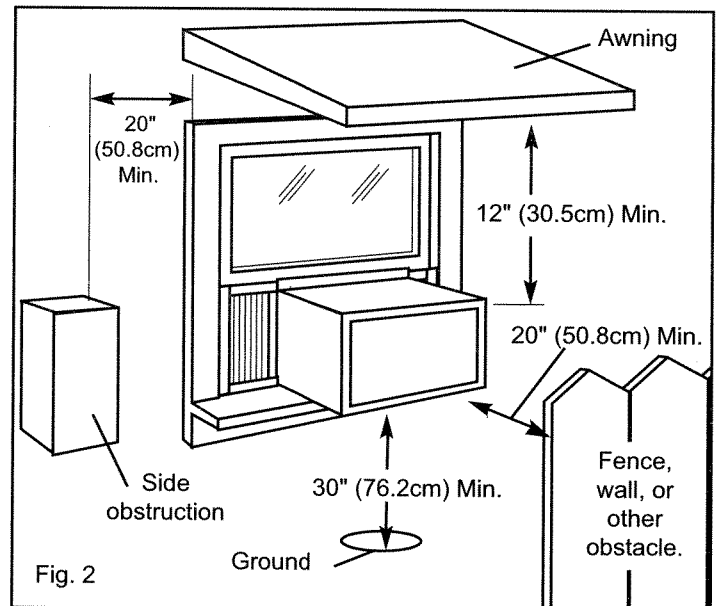
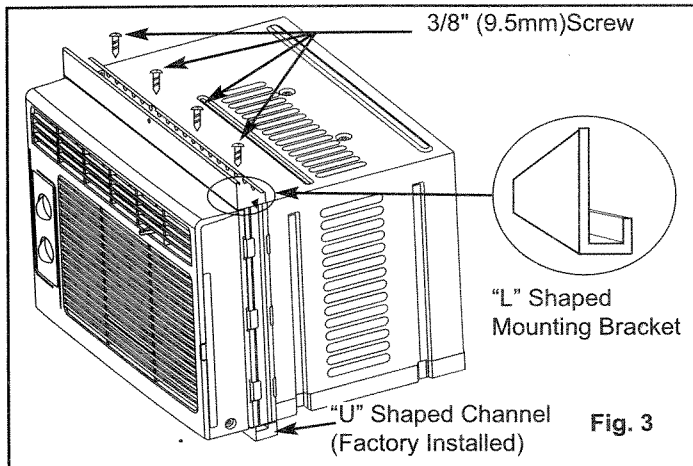


Fig. 2

springs, etc...

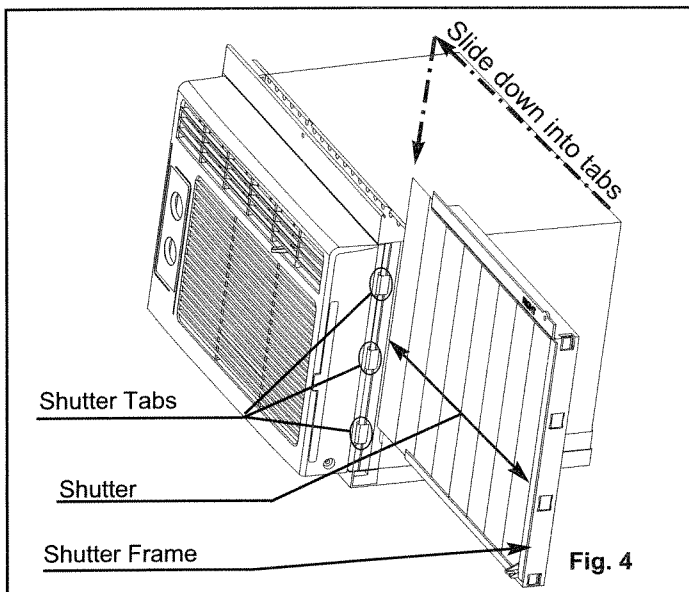
1. Assembly of the Upper Channel, to Cabinet.

- **"L" Shaped Top Channel:** Install the "L" shaped channel to the top of the cabinet as shown in Fig. 3 using four (4) 3/8"(9.5mm) screws.



2. Assembly of the Side Curtains to Cabinet.

- Extend the shutter from the shutter frame and slide it into the shutter tabs on the side channel of the air conditioner as shown in Fig. 4.
- Slide the shutters into the top ("L" Shaped) and bottom ("U" Shaped) channels. The shutters are identified (on frame) as left & right.

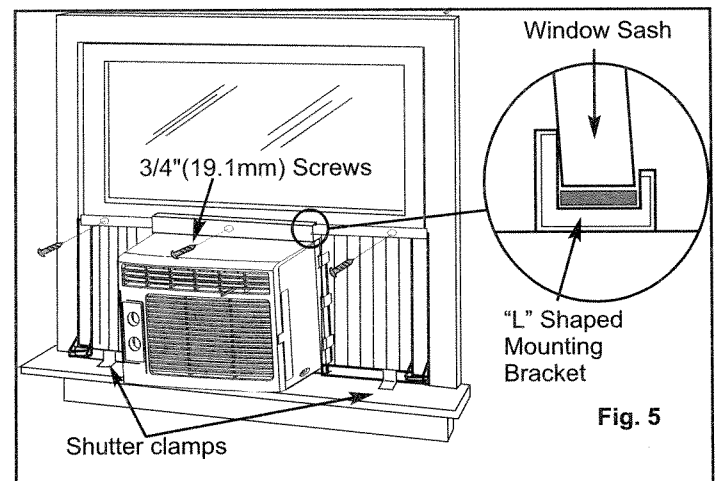


3. Completing the Installation

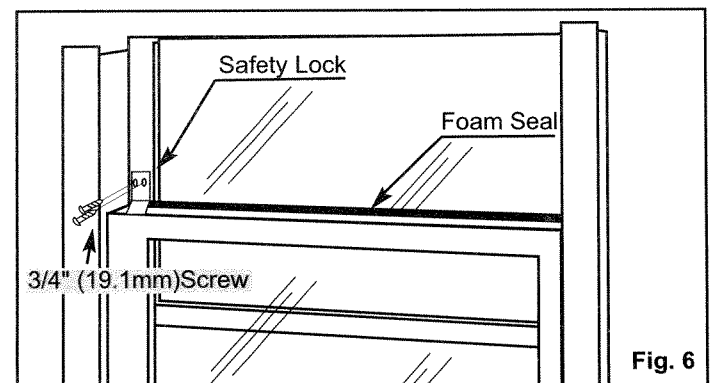
- Cut the **foam (non adhesive) sealing strip** to fit the area of the window sill that the air conditioner will rest on.

3a. Completing the Installation (cont'd)

- Carefully place the air conditioner into the window with the **"L" shaped mounting bracket** (on top) positioned in front of the upper window sash. The bottom of the cabinet should be positioned on the "recessed" portion of the window frame. Pull the window down until it rests just behind the front flange of the (top) **"L" shaped mounting bracket**. See Fig. 5.
- Expand the shutter frames (fully) on each side and secure the top of the frames to the window sash using one 3/4" (19.1mm) screw on each side and in the "L" shaped mounting bracket. Fig. 5
- Secure the shutter clamp on each side of the (lower) shutter and secure to window sill using one 3/4" (19.1mm) screw on each side. Fig. 5



- Place the second **foam sealing strip** to fit the opening between the inside and outside windows then attach the **safety lock** to the outside window frame using one 3/4" (19.1mm) screw. See Fig. 6



PLEASE NOTE: Window applications come in a variety of different styles. Therefore, it may be necessary to modify or improvise your particular installation.

Operating Instructions

SELECTOR SWITCH

The selector switch controls fan speed and/or cooling speed. To set desired cooling temperature, simply rotate the **SELECTOR** knob to the appropriate setting.

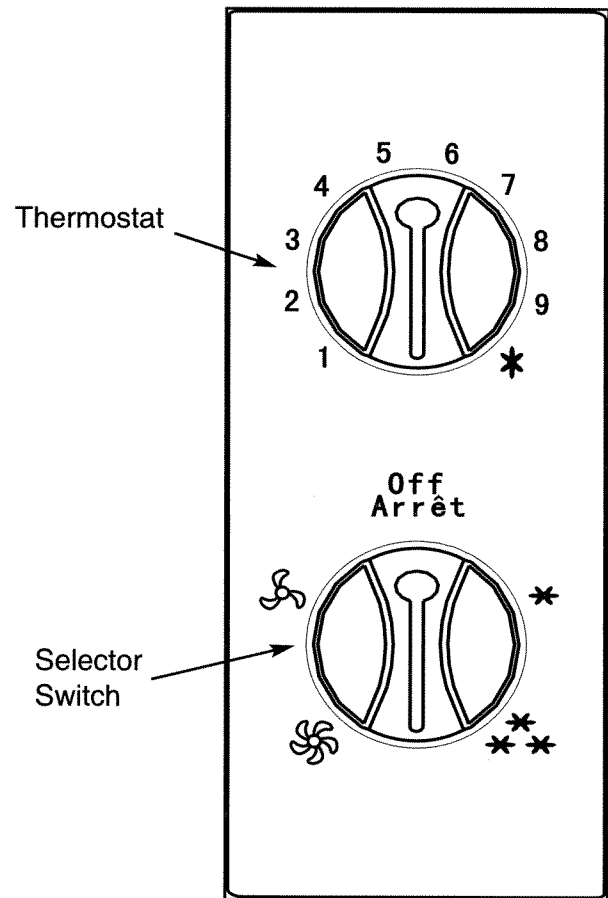
FAN SPEEDS

- **LOW FAN** "☸" will circulate air at minimum speed without cooling.
- **HIGH FAN** "☸☸" will circulate air at maximum speed without cooling.

COOLING MODES

- **LOW COOL** "☸*" provides cooling with minimum air circulation. Recommended for night-time use.
- **HIGH COOL** "☸☸*" provides cooling with maximum air circulation. Recommended for quick cooling or for extremely hot days. Once room is cooled, reduce setting to **LOW COOL**.
- **OFF** shuts-down the unit completely.

NOTE: Always allow 3 minutes before switching from one mode to another.



THERMOSTAT

The thermostat automatically controls the (compressor) cooling cycle and maintains the selected room temperature. To set the thermostat, rotate the thermostat knob to the desired cooling setting (1 warmest ~ 9 coldest). The fan motor will continue to operate after the compressor (cooling) has cycled off. This is normal.

! CAUTION !

When using **FAN** control, turn selector switch slowly allowing unit to adjust.

When using **THERMOSTAT**, be sure to allow three minutes before changing temperature. Adjusting too quickly may cause compressor to overload.

Care and Maintenance

When cleaning the air conditioner, be sure to turn the **SELECTOR** knob to the “**OFF**” position and disconnect the power cord from the electrical outlet.

1. **DO NOT** use gasoline, benzene, thinner or other chemicals on the air conditioner as these substances may cause damage to the paint finish and deformation of plastic parts.
2. Never attempt to pour water directly on unit as this will cause deterioration of the electrical insulation.

Air Filter Information

If the air filter becomes clogged with dust, air flow is obstructed and reduces efficiency. The air filter should be cleaned every 2 weeks.

Air Filter Removal:

The air filter is located behind the air intake front grill. To remove the air filter, grasp the filter handle on the front of the grill and slide - it (out) to the right.

To reinstall the air filter, reverse the above procedures. The air filter may be vacuumed or washed by-hand in warm water. Dry thoroughly before installing.

Cleaning Air Filter

1. Use a vacuum cleaner with soft brush attachment.
2. Wash the filter in lukewarm water below 40°C (104°F): To get better results, wash with soapy water or a neutral cleaning agent.
3. Rinse the filter with clean water and dry thoroughly before re-installing.

End-of-Season Care

1. Operate the fan alone for half a day to dry out the inside of the unit.
2. Turn off power and remove plug from wall socket.
3. Clean filter.
4. Store (covered) air conditioner in a dry location.



CAUTION



When installing and/or removing the air conditioner from the window, ensure that caution is taken to prevent the from falling backward. It is recommended that installation or removal of the air conditioner is done with assistance to prevent injury to persons or damage to the unit or property.



IMPORTANT



DO NOT forget to install the air filter. If the air conditioner is left to operate without the air filter, dust is not removed from the room air and may result in machine failure.

When the air inlet grill and cabinet are dirty, wipe with lukewarm water (below 40°C). Use of a mild detergent is recommended.

Trouble shooting Guide

Frequently, a problem is minor and a service call may not be necessary, use this trouble shooting guide for a possible solution. If the unit continues to operate improperly, call **Danby's Toll Free Number 1-800-263-2629** for assistance, or call one of our service depots listed in the enclosed "Authorized Service Depot" listing provided with this unit.

Difficulty	Possible Cause	Suggested Solution
Air conditioner will not operate.	No power to unit.	Check connection of power cord to power source. Check fuse or circuit breaker. Set SELECTOR SWITCH to position other than "OFF".
Inefficient or no cooling.	Dirty air filter. Unit size inappropriate for application. Blocked air flow. Power interruption, settings changed too quickly, or compressor overload tripped.	Clean or replace air filter. Check with dealer to determine proper unit capacity for application. Remove obstruction from grill or outdoor louvers. Turn the unit off and wait 5 minutes before attempting to re-start.
Noisy unit.	Loose parts. Inadequate support.	Tighten loose parts. Provide additional support to unit.
Odors.	Formation of mold, mildew, or algae on wet surfaces.	Clean unit thoroughly. Place algaecide tablet in base pan.
Water dripping outside.	Hot and humid weather.	Condensation run-off is normal under these conditions.
Water dripping inside.	Unit is not properly angled to allow water to drain outside.	Unit must be installed on an angle for proper condensation run-off. Check the unit and make any adjustments.
Ice or frost build-up.	Low outside temperature. Unit air filter is dirty.	When outdoor temperature is approximately 65°F or below, frost may form when unit is in cooling mode. Switch unit to FAN (only) operation until frost melts. Remove and clean filter.

- NOTES:**
1. If circuit breaker is tripped repeatedly, or fuse is blown more than once, contact a qualified technician.
 2. When unit is installed using proper installation steps, unit is properly tipped towards the outdoors to allow for condensation run-off.

Simplicity

LIMITED AIR CONDITIONER WARRANTY

This quality product is warranted to be free from manufacturer's defects in material and workmanship, provided that the unit is used under the normal operating conditions intended by the manufacturer.

This warranty is available only to the person to whom the unit was originally sold by Danby or by an authorized distributor of Danby, and is non-transferable.

TERMS OF WARRANTY

Plastic parts, are warranted for thirty (30) days only from purchase date, with no extensions provided.

First 24 Months During the first twenty four (24) months, any electrical parts of this product found to be defective, including any sealed system units, will be repaired or replaced, at warrantor's option, at no charge to the ORIGINAL purchaser.

To obtain Service Danby reserves the right to limit the boundaries of "In Home Service" to the proximity of an Authorized Service Depot. Any appliance requiring service outside the limited boundaries of "In Home Service", it will be the consumer's responsibility to transport the appliance (at their own expense) to the original retailer (point of purchase) or a service depot for repair. Contact your dealer from whom your unit was purchased, or contact your nearest authorized Danby service depot, where service must be performed by a qualified service technician. If service is performed on the units by anyone other than an authorized service depot, or the unit is used for commercial application, all obligations of Danby under this warranty shall be at an end.

EXCLUSIONS

Save as herein provided, Danby Products Limited (Canada) or Danby Products Inc. (U.S.A.), there are no other warranties, conditions, representations or guarantees, express or implied, made or intended by Danby Products Limited or its authorized distributors and all other warranties, conditions, representations or guarantees, including any warranties, conditions, representations or guarantees under any Sale of Goods Act or like legislation or statute is hereby expressly excluded. Save as herein provided, Danby Products Limited (Canada) or Danby Products Inc. (U.S.A.), shall not be responsible for any damages to persons or property, including the unit itself, howsoever caused or any consequential damages arising from the malfunction of the unit and by the purchase of the unit, the purchaser does hereby agree to indemnify and save harmless Danby Products Limited from any claim for damages to persons or property caused by the unit.

GENERAL PROVISIONS

No warranty or insurance herein contained or set out shall apply when damage or repair is caused by any of the following:

- 1) Power Failure.
- 2) Damage in transit or when moving the appliance.
- 3) Improper power supply such as low voltage, defective house wiring or inadequate fuses.
- 4) Accident, alteration, abuse or misuse of the appliance such as inadequate air circulation in the room or abnormal operating conditions, (extremely high or low room temperature).
- 5) Use for commercial or industrial purposes.
- 6) Fire, water damage, theft, war, riot, hostility, acts of God such as hurricanes, floods etc.
- 7) Service calls resulting in customer education.

Proof of purchase date will be required for warranty claims; so, please retain bills of sale. In the event warranty service is required, present this document to our AUTHORIZED SERVICE DEPOT.

Warranty Service
Carry-in

Danby Products Limited
PO Box 1778, 5070 Whitelaw RD, Guelph, Ontario, Canada N1H 6Z9
Telephone: (519) 837-0920 FAX: (519) 837-0449

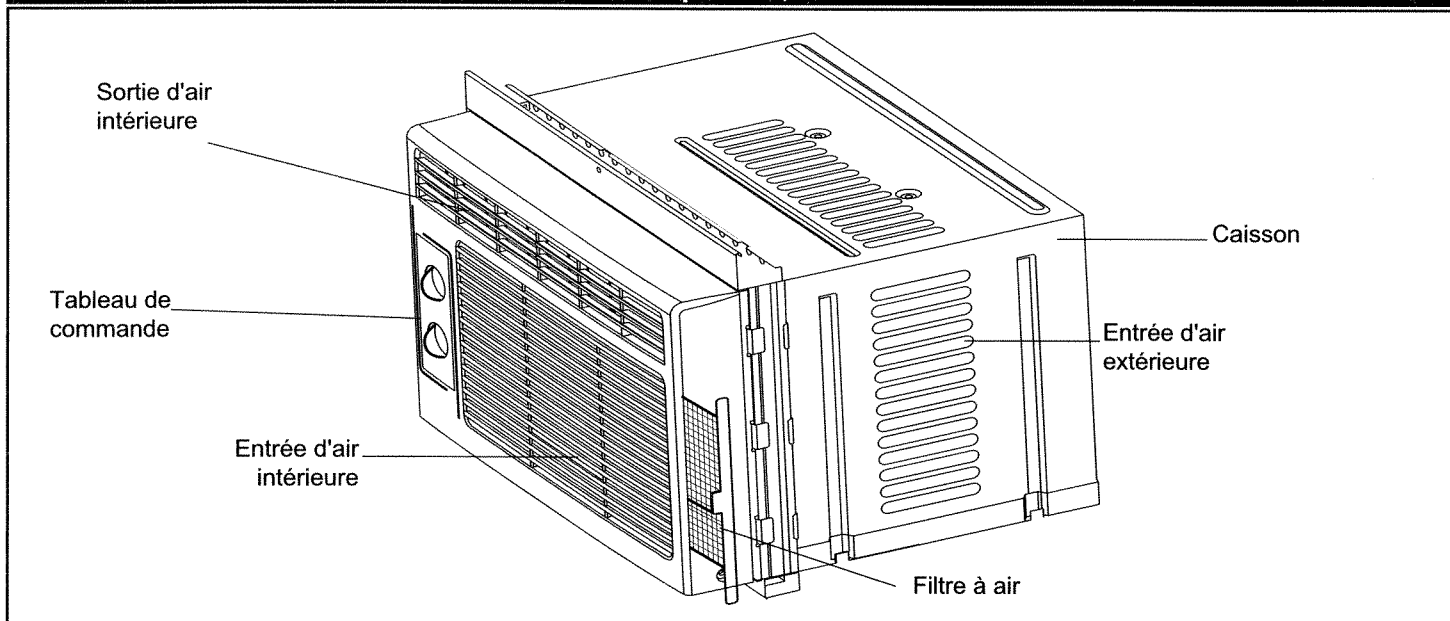
Danby Products Inc.
PO Box 669, Findlay, Ohio, U.S.A. 45839-0669
Telephone: (419) 425-8627 FAX: (419) 425-8629

06/06

Table des matières

	Page
Introduction	12
Spécifications électriques	13
Conseils d'économie d'énergie	14
Installation dans la fenêtre	14
Instructions de fonctionnement	17
Précautions et maintenance	18
Guide de dépannage	19
Garantie	20

Identification des pièces, modèle SAC5207M



Fiche signalétique	SAC5207M		
Voltage	115V/50Hz		
Capacité de refroidissement (Btu/h)	5,200		
Puissance d'entrée	530		
Régime nominal d'efficacité énergétique (EER)	9.7		
Ventilateur/vitesse de refroidissement	2/2		
Dimensions de l'aire de refroidissement	175pieds ² (16.3m ²)		
Niveau du bruit (dB)	56		
Poids	40lb		(18Kg)
Dimensions de l'appareil			
	Largeur	16.25po	(41.3cm)
	Profondeur	13.25po	(33.6cm)
	Hauteur	12.25po	(31.1cm)
Window Kit Dimensions			
	Largeur maximum	40.5po	(102.2cm)
	Largeur minimum	25po	(63.5cm)
	Hauteur minimum	14po	(35.6cm)

Remarque : Les spécifications peuvent être changées sans avis, à titre d'amélioration.

Introduction

Nous vous remercions d'avoir choisi un climatiseur de chambre Simplicity pour refroidir votre logement. Ce manuel d'utilisation et d'entretien fournit les renseignements nécessaires pour prendre soin et entretenir votre nouveau climatiseur de chambre. S'il est adéquatement entretenu, votre climatiseur vous donnera de nombreuses années d'utilisation sans problème. Pour éviter toute difficulté d'installation, veuillez lire les présentes instructions, complètement, avant d'installer et de faire fonctionner votre appareil.

REMARQUE: Cet appareil n'a PAS été conçu pour une installation à travers une paroi.

À titre de référence, vous pouvez agraffer à cette page une copie de votre fiche d'achat de l'appareil. Inscrivez les renseignements suivants fournis (sur la plaque signalétique du fabricant figurant sur le côté droit de l'appareil au-dessus du cordon d'alimentation). Vous aurez besoin de ces renseignements si vous contactez un représentant du Service à la clientèle.

Numéro de modèle: **SAC5207M** _____ Numéro de série: _____

Date de l'achat: _____



Nom et adresse du concessionnaire: _____

Veillez vous reporter à la section du dépannage figurant dans ce manuel d'utilisation et d'entretien, si l'appareil ne fonctionne pas correctement. Si cette suggestion ne résout pas le problème, contactez un représentant autorisé des services ou appelez directement Danby, sans frais, au numéro : 1-800-26 **Danby**

Veillez conserver ces instructions pour de futures références.

Ce symbole indique une mise en garde ou un avertissement.



 MISE EN GARDE 	
Ne laissez pas un climatiseur de chambre sans surveillance dans un espace où se trouvent des gens ou des animaux qui ne peuvent pas réagir à un appareil défaillant. Un appareil défaillant peut causer une surchauffe extrême ou entraîner la mort dans un tel espace confiné et sans surveillance.	


Spécifications électriques

1. Tous les câblages doivent être conformes aux codes électriques locaux et nationaux et doivent être installés par un électricien qualifié. Si vous avez la moindre question au sujet des instructions ci-dessous, contactez un électricien qualifié.
2. Vérifiez la fourniture d'alimentation électrique disponible et résolvez tout problème de câblage AVANT d'installer et de faire fonctionner cet appareil.
3. Ce climatiseur à 115 V utilise 12 ampères ou moins de puissance nominale et peut être utilisé dans toute prise de courant domestique de but général, adéquatement câblée. Voir le Tableau 1 pour les spécifications pour circuit de dérivation individuel.
4. Pour votre sécurité et votre protection, cet appareil est mis à la masse par la fiche du cordon d'alimentation lorsqu'elle est branchée dans une prise murale qui lui correspond. Si vous n'êtes pas certain que votre prise de courant murale est mise à la masse adéquatement, veuillez consulter un électricien qualifié.
5. La prise murale (pour 3 broches) doit correspondre à la fiche à 3 broches sur le cordon de service fourni avec l'appareil. N'utilisez PAS de fiches d'adaptation. Voir Tableau 2 pour les renseignements sur les prises de courant et les fusibles. S'il est nécessaire d'utiliser une rallonge électrique pour brancher votre climatiseur, utilisez une rallonge électrique approuvée pour « climatiseur », exclusivement (disponible dans la plupart des magasins locaux de quincaillerie).
6. La plaque signalétique sur l'appareil contient des données électriques et techniques; elle se trouve sur le côté droit de l'appareil, au-dessus du cordon d'alimentation.

Tableau 1 : Circuit de dérivation individuel suggéré

Puissance nominale : ampères	Calibre AWG*
5,0 à 12	16
AWG American Wire Gage	
* Basé sur un fil de cuivre à une valeur limite de température de 105°C.	

Tableau 2 : Types de prises de courant et de fusibles

Voltage nominal	125
Amps	13
Prise de courant murale	
Dimensions du fusible	15
Fusible à retardement (ou disjoncteur)	Type de fiche

⚠️ Consignes de sécurité importantes ⚠️

Le cordon d'alimentation fourni avec ce climatiseur est doté d'un système de détection de fuite destiné à diminuer les risques d'incendie. Veuillez consulter la section " Cordon d'alimentation " pour plus de détails. Si le cordon d'alimentation est endommagé, il ne peut être réparé et doit être remplacé par un nouveau cordon du fabricant.

- En aucun cas cet appareil ne doit-il être utilisé pour allumer ou éteindre le conditionneur.
- Le bouton " RESET " doit toujours être enfoncé pour un bon fonctionnement.
- Le cordon d'alimentation doit être remplacé s'il ne se réinitialise plus lorsque le bouton " TEST " est enfoncé.
- Si le cordon d'alimentation est endommagé, il doit être réparé. Il doit être remplacé par un nouveau cordon du fabricant.

Cordon d'alimentation

Le cordon d'alimentation fourni avec ce climatiseur est doté d'un système de détection de dommages. Afin de vérifier si votre cordon d'alimentation fonctionne bien, procédez comme suit :

1. Branchez le cordon d'alimentation à une prise électrique.
2. Le cordon d'alimentation est doté de deux boutons à la tête de la fiche. Il s'agit des boutons " TEST " et " RESET ". Lorsque vous enfoncez le bouton " TEST ", un clic se fait entendre et le bouton " RESET " ressort.
3. Lorsque vous enfoncez le bouton " RESET ", un clic se fait entendre.
4. Le cordon d'alimentation est maintenant chargé et en mesure d'alimenter le climatiseur. (Sur certains produits, cet état est indiqué à l'aide d'un témoin sur la tête de la fiche)

Conseils d'économie d'énergie

Votre climatiseur de chambre a été conçu pour être d'une grande efficacité dans l'économie d'énergie.

Pour l'augmenter encore, veuillez suivre les recommandations ci-dessous :

1. Sélectionnez un réglage du thermostat qui conviennent aux besoins de votre confort et laissez ce thermostat au réglage choisi.
2. Le filtre est très efficace dans l'élimination des particules en suspension dans l'air. Gardez toujours le filtre propre. Normalement, le filtre devrait être nettoyé toutes les deux semaines. Un nettoyage plus fréquent pourrait être nécessaire en fonction de la qualité de l'air intérieur.
3. Utilisez des draperies, rideaux ou stores pour empêcher les rayons du soleil directs de réchauffer la pièce, mais n'obstruez PAS le climatiseur. Permettez à l'air de circuler autour de l'appareil, sans obstacle.
4. Commencez à faire fonctionner votre climatiseur avant que l'air extérieur ne soit chaud et inconfortable, afin d'éviter une période d'inconfort lorsque l'appareil commence à refroidir la chambre.
5. Quand les températures extérieures sont assez fraîches, utilisez seulement le ventilateur à la vitesse ÉLEVÉE, OU FAIBLE. Cela fait circuler l'air intérieur et produit un certain refroidissement confortable en utilisant moins d'électricité que lorsqu'on fait fonctionner le climatiseur en mode refroidissement.

Notes D'Installation



Danger de choc électrique

Pour éviter la possibilité d'une blessure corporelle, débranchez l'alimentation de l'appareil avant son installation ou son entretien.

Outils nécessaires pour installation

Tournevis À tête Philips et plate
Perceuse électrique Mèche de 1/8 po(3.2mm) de diam
Crayon
Ruban à mesure
Ciseaux
Clé réglable



MISE EN GARDE

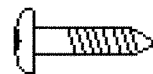


Pour éviter les difficultés d'installation et de fonctionnement, veuillez lire les instructions attentivement.

Votre climatiseur de chambre a été conçu pour une installation facile dans une fenêtre à châssis à guillotine simple ou double.

REMARQUE: Cet appareil n'a pas été conçu pour des fenêtres verticales (de type coulissant) ou pour être installé à travers une paroi. **REMARQUE:** Conservez le carton d'expédition et le matériel d'emballage pour futur entreposage ou transport de l'appareil. Ôtez l'appareil du carton, le sac en plastique qui contient la trousse de quincaillerie nécessaire pour l'installation de votre climatiseur. Veuillez vérifier le contenu de la trousse de quincaillerie d'installation en le comparant à la liste de vérification du modèle correspondant, et ce, avant l'installation de l'appareil. Voir fig. 1

Quincaillerie d'installation



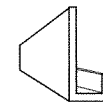
Vis de 3/4 po (9)(19.1mm)



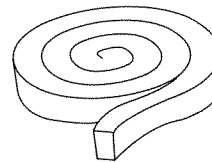
Serrure de Sûreté (1)



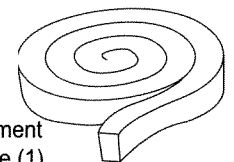
Vis de 3/8 po (4)(9.5mm)



Canal supérieur (1)



Scellement mousse (1) *dhésif*



Scellement mousse (1)

Rideau latéral droit (1)

Rideau latéral gauche (1)

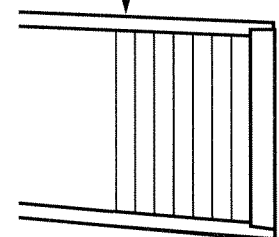
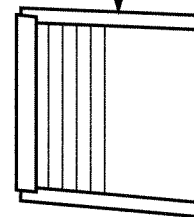


Fig. 1



MISE EN GARDE



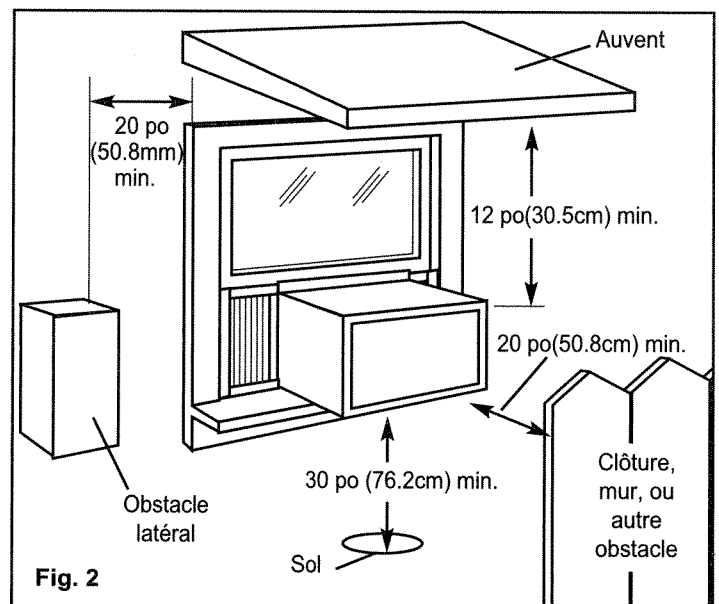
Comme le compresseur se trouve du côté des commandes de l'unité (côté droit), ce côté est plus lourd et plus difficile à manipuler. Un soutien inapproprié du côté des commandes de l'appareil peut causer des blessures et endommager l'appareil et d'autres biens mobiliers. C'est pourquoi il est recommandé que quelqu'un vous aide au cours de l'installation de cet appareil.

Votre appareil a été conçu pour que la condensation s'évapore dans des conditions normales. Cependant, en présence d'une humidité extrême, un surplus de condensation peut provoquer un débordement de la cuvette de base vers l'extérieur. L'appareil doit être installé de telle sorte que l'écoulement de la condensation ne se déverse pas sur des passants ou sur des propriétés avoisinantes.

Choix du meilleur endroit

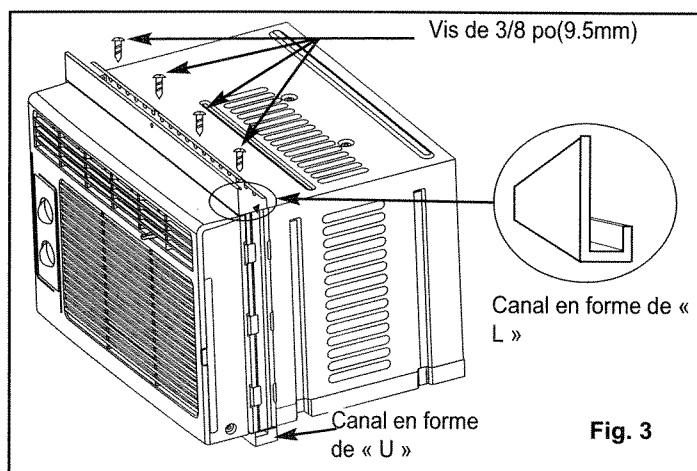
- Ce climatiseur pour chambre a été conçu pour être installé facilement dans une fenêtre à châssis à guillotine simple ou double. Cependant, comme le design de la fenêtre peut varier, il peut être nécessaire d'y faire quelques modifications pour une installation sécuritaire et appropriée.
- Assurez-vous que la fenêtre et son châssis sont structurellement solides et exempts de bois sec et pourri.
- Pour un maximum d'efficacité, installez le climatiseur sur le côté de la maison ou de l'immeuble qui se trouve plus souvent à l'ombre qu'au soleil. Si l'appareil est directement sous les rayons du soleil, il est recommandable d'installer un auvent pour protéger l'unité.
- Laissez suffisamment d'espace libre autour du caisson pour permettre une ample circulation d'air à travers l'appareil. Voir fig. 2. L'arrière de l'appareil doit donner sur l'extérieur de la maison et non pas dans un garage ou à l'intérieur d'un immeuble. Tenez l'appareil aussi loin que possible de tout obstacle ou obstruction et à au moins 30 po (76.2cm) au-dessus du plancher ou du sol. Il ne faut pas que les rideaux ou d'autres objets à l'intérieur de la pièce puissent bloquer le flux d'air.
- Assurez-vous que la prise électrique appropriée se trouve à la portée de l'installation. N'utilisez qu'un circuit à prise unique calculé à 15 ampères. Tout le câblage doit être conforme aux codes électriques locaux et nationaux.

- N'UTILISEZ PAS DE RALLONGES ÉLECTRIQUES « ORDINAIRES » POUR CET APPAREIL. S'il est nécessaire d'utiliser une rallonge pour brancher votre climatiseur, utilisez uniquement une rallonge approuvée pour « climatiseur » (disponible dans la plupart des magasins de quincaillerie locaux).
- N'installez PAS l'appareil à un endroit où on soupçonne une fuite de gaz combustibles. Votre climatiseur peut tomber en panne dans une atmosphère qui contient des huiles (y compris des huiles pour machines), des gaz sulfurés, ou s'il est près de sources d'eau chaude, etc.



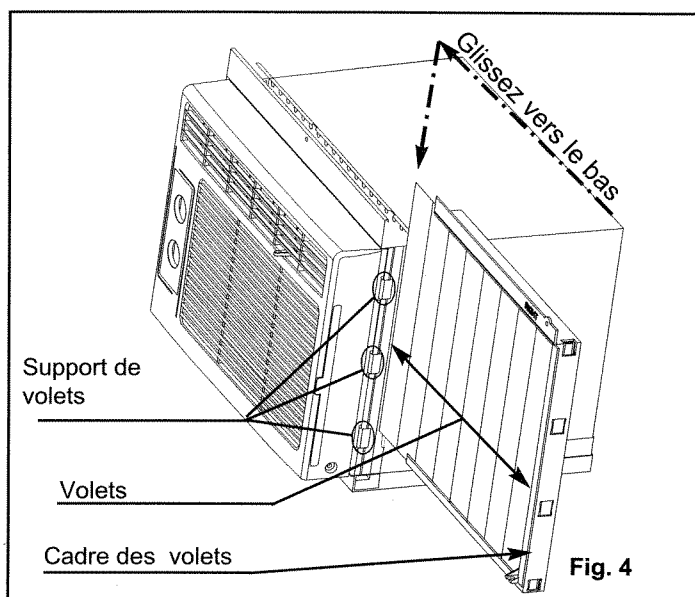
1. Montage de canaux supérieur sur le caisson.

- Canal supérieur en forme de « L » : Installez le canal en forme de « L » au-dessus du caisson tel que montré à la Fig. 3, en utilisant quatre (4) vis de 3/8 po(9.5mm) .



3a. Montage des rideaux latéraux au caisson.

- Étendez les volets et glissez-les dans les support de volets sur le canal latéral du climatiseur comme montré dans fig. 4.
- Faites glisser les cadre des volets dans les canaux supérieur (en forme de "L") et inférieur (en forme de "U") Ces volets sont identifiés (sur le cadre) en tant que volets gauches et droits.

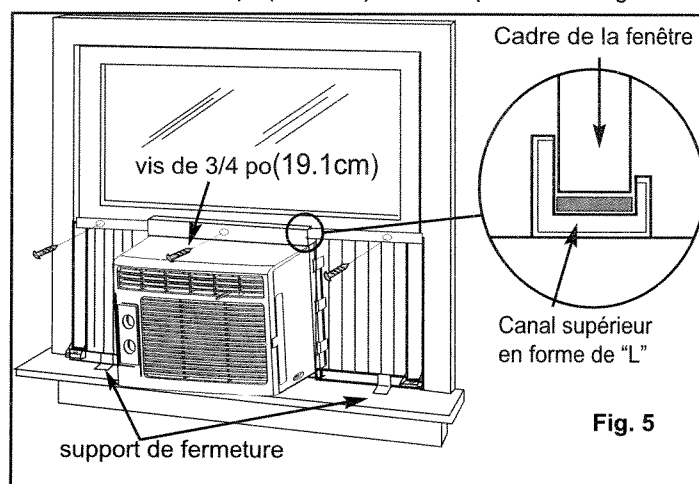


4. Pour compléter l'installation

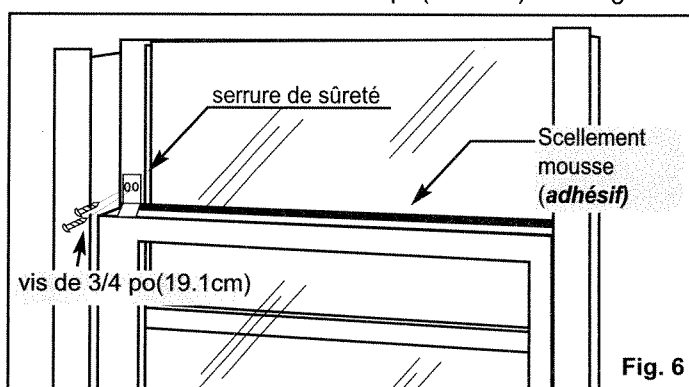
- Coupez la lisière à calfeutrer en mousse (**non adhésif**) pour qu'elle se fixe adéquatement au dessous du bas du cadre de la fenêtre.

4a. Pour compléter l'installation (continué)

- Placez le climatiseur dans la fenêtre avec le canal de montage en forme de « L » (en haut) positionné à l'avant du cadre supérieur de la fenêtre. Le bas du caisson doit être positionné dans le bas du cadre de la fenêtre. Tirez la fenêtre vers le bas jusqu'à ce qu'elle repose juste derrière le rebord frontal du canal de montage en forme de « L » (supérieur). Voir Fig. 5.
- Étendez les cadres des volets (complètement) de chaque côté, et fixez le haut des structures au cadre de la fenêtre en utilisant une vis de 3/4 po(19.1cm) et une rondelle de sécurité sur chaque côté. Fig. 5.
- Fixer le support de fermeture sur chaque côté (en bas) des volets, et fixez au rebord de la fenêtre en utilisant une vis de 3/4 po(19.1cm) sur chaque côté. Fig. 5.



- Coupez la bande mousse **adhésif** afin qu'elle s'ajuste adéquatement à l'ouverture entre le haut de l'intérieur et de l'extérieur de la fenêtre puis fixer le serrure de sûreté sur le cadre du fenêtre extérieur en utilisant une vis de 3/4 po(19.1cm) Voir. Fig. 6.



REMARQUE SPÉCIALE: Les applications à une fenêtre présentent toute une variété de styles différents. C'est pourquoi il peut être nécessaire de modifier ou d'improviser votre installation particulière.

Instructions de fonctionnement

Fonction de SÉLECTION

Le commutateur de sélection commande la vitesse du ventilateur et/ou la vitesse du refroidissement. Pour fixer la température désirée du refroidissement, il suffit de tourner le bouton de SÉLECTION au réglage approprié.

VITESSE DU VENTILATEUR:

- **FAIBLE** "☪" L'air circule à une vitesse minimum, sans refroidissement.
- **ÉLEVÉE** "☪☪" L'air circule à une vitesse maximum, sans refroidissement.

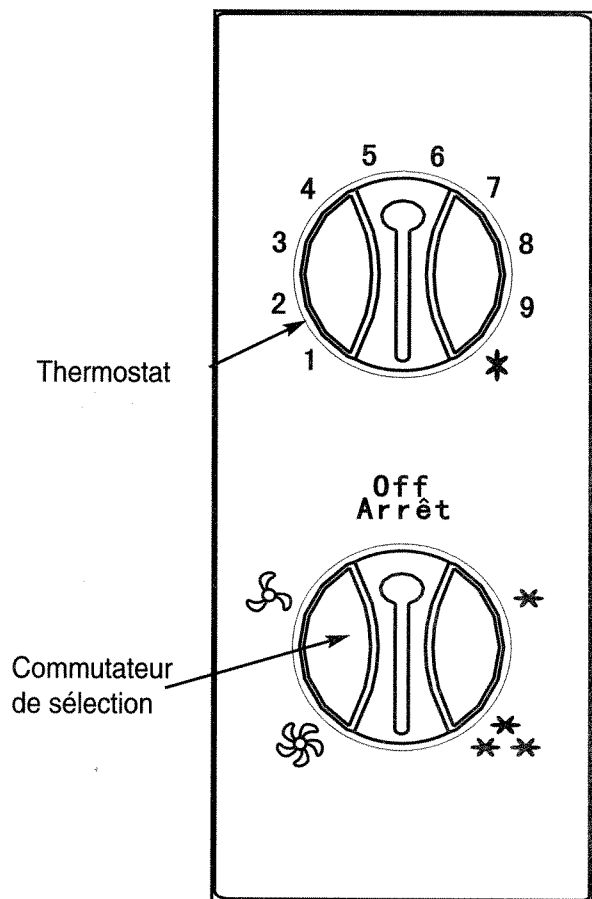
REFROIDISSEMENT:

- **FAIBLE** "☪☪" Refroidit avec un minimum de circulation d'air. Recommandé pour la nuit.
- **INTENSE** "☪☪☪" Refroidit avec une circulation d'air maximum. Recommandé pour un refroidissement rapide ou en temps de canicules. Une fois la pièce refroidie, il faut réduire le refroidissement à FAIBLE.
- **ARRÊT** - Ferme le climatiseur complètement.

REMARQUE: Il faut toujours attendre 3 minutes avant de passer d'un réglage à un autre.

THERMOSTAT

Le thermostat contrôle complètement le cycle de refroidissement (compresseur) et maintient la température choisie pour la chambre. Pour régler le thermostat, tournez le bouton du thermostat au réglage de refroidissement désiré (1 le plus chaud - 9 le plus froid). Le moteur du ventilateur continuera à fonctionner après que le compresseur (refroidissement) a terminé son cycle. Cela est normal.



MISE EN GARDE



Quand vous utilisez la commande du VENTILATEUR, tournez le commutateur de sélection lentement pour que le climatiseur se règle bien.

Quand vous utilisez le THERMOSTAT, assurez-vous d'attendre trois minutes avant de passer d'une température à une autre. En le réglant trop rapidement, on peut provoquer une surcharge du compresseur.

Précautions et entretien

Avant de procéder à l'entretien du climatiseur, assurez-vous de tourner le bouton de SÉLECTION en position « ARRÊT » et débranchez le cordon d'alimentation de la prise électrique.

1. N'utilisez PAS de l'essence, un produit chimique, diluant ou autre sur un climatiseur, car ces substances peuvent endommager la finition de la peinture et déformer des pièces en plastique.
2. N'essayez jamais de verser de l'eau directement sur le climatiseur, car cela provoque une détérioration de l'isolation électrique.

Information sur le filtre à air

Si le filtre à air est bouché par de la poussière, la circulation d'air est obstruée et perd de son efficacité. Le filtre à air doit être nettoyé toutes les 2 semaines.

Le filtre à air du modèle ci-dessus se trouve derrière la grille frontale de la prise d'air. Pour enlever le filtre à air, saisissez la poignée du filtre sur l'avant de la grille et glissez-le (vers l'extérieur) à droite.

Pour réinstaller le filtre à air, faites l'inverse des procédures ci-dessus. Le filtre à air peut être passé à l'aspirateur ou lavé à la main dans de l'eau chaude. Séchez-le bien avant de l'installer.

Nettoyage du filtre à air

1. Utilisez un aspirateur de poussière muni d'une brosse douce.
2. Lavez le filtre dans de l'eau tiède de moins de 40°C (104°F). Pour obtenir de meilleurs résultats, lavez avec une eau savonneuse ou un agent neutre de nettoyage.
3. Rincez le filtre avec de l'eau propre et séchez-le à fond avant de le réinstaller.

Entretien hors saison

1. Faites fonctionner uniquement le ventilateur pendant une demi-journée pour sécher l'intérieur du climatiseur.
2. Coupez le courant et enlevez la fiche de la prise murale.
3. Nettoyez le filtre.
4. Rangez le climatiseur (couvert) dans un endroit sec.



ATTENTION



Durant installation et/ou en enlevant le climatiseur de la fenêtre, assurez-vous que l'attention est prise pour empêcher de tomber hors de la fenêtre. On recommande que l'installation ou le déplacement du climatiseur soit fait avec l'assistance pour empêcher des dommages aux personnes ou des dommages à l'appareil ou à la propriété.



MISE EN GARDE



N'oubliez PAS d'installer le filtre à air. Si on fait fonctionner le climatiseur sans filtre à air, la poussière n'est pas éliminée de l'atmosphère de la pièce et peut entraîner une défaillance de la machine. Quand la grille de l'entrée d'air et le caisson sont sales, essuyez-les avec de l'eau tiède (au-dessous de 40°C. On recommande l'utilisation d'un détergent doux.

Guide de dépannage

Fréquemment, un problème n'est que mineur et ne nécessite pas l'appel d'un technicien pour le résoudre; utilisez ce guide de dépannage pour une solution possible. Si l'appareil continue à mal fonctionner, composez le numéro sans frais de Danby au 1-800-262-2629 pour demander de l'aide, ou appelez quelqu'un de nos dépôts de services, énumérés dans la liste fournie avec cet appareil « Dépôt autorisé de services ».

Difficulté	Cause Possible	Solution Suggeree
Le climatiseur ne veut pas fonctionner.	Aucun courant branché à l'appareil.	Vérifiez le branchement du cordon d'alimentation à la source de courant. Vérifiez le fusible ou le disjoncteur. Placer le COMMUTATEUR DE SÉLECTION à une position autre que « ARRÊT ».
Inefficace ou aucun refroidissement.	Filtre à air sale. Les dimensions de l'appareil ne conviennent pas à son application. Circulation d'air bloquée. Interruption du courant, réglages changés trop rapidement, ou compresseur déclenché par surcharge.	Nettoyez ou remplacez le filtre à air. Vérifiez avec le concessionnaire si la capacité de l'appareil est appropriée à son application. Enlevez l'objet qui obstrue la grille ou les volets extérieurs. Arrêtez le climatiseur et attendez 5 minutes avant de le remettre en marche.
Appareil bruyant.	Pièces desserrées. Support inadéquat.	Serrez les pièces qui sont desserrées ou ont du jeu. Fournissez un support supplémentaire à l'appareil.
Odeurs	Formation de moisissure ou d'algues sur les surfaces mouillées.	Nettoyez à fond l'appareil. Mettez une tablette anti-algues dans la cuvette de base.
De l'eau s'égoutte à l'extérieur.	L'écoulement de la condensation est normal, quand le temps est chaud et humide.	Ajoutez un tube flexible pour réacheminer l'écoulement de l'eau. Voir Fig. 25
De l'eau s'égoutte à l'intérieur.	L'appareil n'est pas incliné adéquatement pour permettre à l'eau de s'écouler à l'extérieur.	L'appareil doit être installé à un certain angle pour permettre un écoulement adéquat de la condensation. Vérifiez l'appareil et exécutez tout ajustement.
Formation de glace ou de givre.	Température très froide à l'extérieur. Le filtre à air de l'appareil est sale.	Lorsque la température extérieure est d'environ 65°F ou moins, du givre peut se former quand l'appareil est en mode refroidissement. Réglez l'appareil en mode VENTILATEUR (seulement) jusqu'à ce que le givre fonde. Enlevez et nettoyez le filtre à air.

REMARQUES:

1. Si le disjoncteur se déclenche à maintes reprises, ou si le fusible a grillé plus d'une fois, contactez un technicien qualifié.
2. Quand l'appareil est installé en suivant les étapes d'installation adéquates, l'appareil est incliné de façon appropriée vers l'extérieur pour permettre l'écoulement de la condensat

Simplicity

GARANTIE LIMITÉE DE CLIMATISEUR

Cet appareil de qualité est garanti exempt de tout vice de matière première et de fabrication, s'il est utilisé dans les conditions normales recommandées par le fabricant.

Cette garantie n'est offerte qu'à l'acheteur initial de l'appareil vendu par Danby ou par l'un des ses distributeurs agréés et elle ne peut être transférée.

CONDITIONS

Les pièces en plastique sont garanties pour trente (30) jours seulement à partir de la date de l'achat, sans aucune prolongation prévue.

Première 24 Mois Pendant les première vingt quatre (24) mois, toutes pièces électriques de ce produit s'avèrent défectueuses, y compris les unités ayant des systèmes obturés, seront réparées ou remplacées, selon le choix du garant, sans frais à l'acheteur INITIAL.

Pour bénéficier du service sous garantie Danby réserve le droit de limiter le rayon du "Service au domicile" selon la proximité d'un dépôt de service autorisé. Le client sera responsable pour le transport et tous les frais d'expédition de tout appareil exigeant le service en dehors des limites du "Service au domicile" au dépôt de service autorisé le plus proche. S'adresser au détaillant qui a vendu l'appareil, ou à la station technique agréée de service la plus proche, où les réparations doivent être effectuées par un technicien qualifié. Si les réparations sont effectuées par quiconque autre que la station de service agréée où à des fins commerciales, toutes les obligations de Danby en vertu de cette garantie seront nulles et non avenues.

EXCLUSIONS

En vertu de la présente, il n'existe aucune autre garantie, condition ou représentation, qu'elle soit exprimée ou tacite, de façon manifeste ou intentionnelle, par Danby Products Limitée (Canada) ou Danby Products Inc. (E.- U. d'A.) ou ses distributeurs agréés. De même, sont exclues toutes les autres garanties, conditions ou représentations, y compris les garanties, conditions ou représentations en vertu de toute loi régissant la vente de produits ou de toute autre législation ou règlement semblables.

En vertu de la présente, Danby Products Limitée (Canada) ou Danby Products Inc. (E.- U. d'A.) ne peut être tenue responsable en cas de blessures corporelles ou des dégâts matériels, y compris à l'appareil, quelle qu'en soit les causes. Danby ne peut pas être tenue responsable des dommages indirects dus au fonctionnement défectueux de l'appareil. En achetant l'appareil, l'acheteur accepte de mettre à couvert et de dégager Danby Products Limitée de toute responsabilité en cas de réclamation pour toute blessure corporelle ou tout dégât matériel causé par cet appareil.

CONDITIONS GÉNÉRALES

La garantie ou assurance ci-dessus ne s'applique pas si les dégâts ou réparations sont dus aux cas suivants:

- 1) Panne de courant;
- 2) Dommages subis pendant le transport ou le déplacement de l'appareil;
- 3) Alimentation électrique incorrecte (tension faible, câblage défectueux, fusibles incorrects);
- 4) Accident, modification, emploi abusif ou incorrect de l'appareil;
- 5) Utilisation dans un but commercial ou industriel;
- 6) Incendie, dommages causés par l'eau, vol, guerre, émeute, hostilités, cas de force majeure (ouragan, inondation, etc.);
- 7) Visites d'un technicien pour expliquer le fonctionnement de l'appareil au propriétaire.

Une preuve d'achat doit être présentée pour toute demande de réparation sous garantie. Prière de garder le reçu. Pour faire honorer la garantie, présenter ce document à la station technique agréée ou s'adresser à:

Service sous-garantie
En Atelier.

Danby Products Limited
PO Box 1778, 5070 Whitelaw RD, Guelph, Ontario, Canada N1H 6Z9
Telephone: (519) 837-0920 FAX: (519) 837-0449

06/06

Danby Products Inc.
PO Box 669, Findlay, Ohio, U.S.A. 45839-0669
Telephone: (419) 425-8627 FAX: (419) 425-8629

Simplicity

Model • Modèle

SAC5207M

For service, contact your nearest service depot or call:

**1-800-26-Danby®
(1-800-263-2629)**

Pour obtenir le service, consultez votre succursale régionale de service ou téléphonez:

**1-800-26-Danby®
(1-800-263-2629)**

Room Air Conditioner

The model number of your room air conditioner is found on the serial plate located on the right side of the unit above the power cord.

All repair parts are available for purchase or special order when you visit your nearest service depot. To request service and/or the location of the service depot nearest you, call the TOLL FREE NUMBER: **1-800-263-2629**

When requesting service or ordering parts, always provide the following information:

- Product Type
- Model Number
- Part Number
- Part Description

Climatiseur de pièce

Le numéro de modèle de votre climatiseur se trouve sur la plaque d'information qui se trouve sur le coté droit de l'appareil par dessus le cordon d'alimentation.

Toutes les pièces de rechange ou commandes spéciales sont disponibles de votre centre régional de service autorisé. Pour exiger le service et-ou le nom de votre centre de service régional, signalez le NUMÉRO SANS FRAIS: **1-800-263-2629**

Ayez les renseignements suivants à la portée de la main lors de la commande de pièce ou service:

- Genre de produit
- Numéro de modèle
- Numéro de pièce
- Description de la pièce

Danby Products Limited, Guelph, Ontario Canada N1H 6Z9
Danby Products Inc., Findlay, Ohio USA 45839-0669

Free Manuals Download Website

<http://myh66.com>

<http://usermanuals.us>

<http://www.somanuals.com>

<http://www.4manuals.cc>

<http://www.manual-lib.com>

<http://www.404manual.com>

<http://www.luxmanual.com>

<http://aubethermostatmanual.com>

Golf course search by state

<http://golfingnear.com>

Email search by domain

<http://emailbydomain.com>

Auto manuals search

<http://auto.somanuals.com>

TV manuals search

<http://tv.somanuals.com>