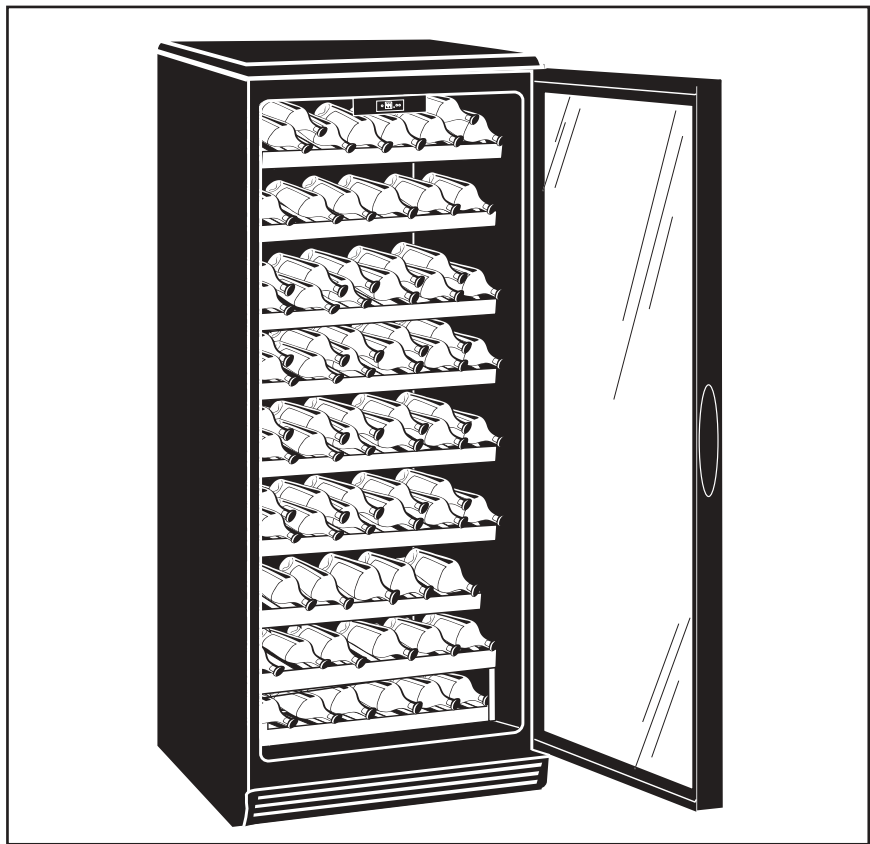


Danby

Silhouette

OWNER'S MANUAL
MANUEL D'UTILISATION
MANUAL DEL PROPIETARIO

Model • Modèle • Modelo
DWC612BLP



CAUTION:

Read and follow all safety rules and operating instructions before first use of this product.

PRÉCAUTION:

Veillez lire attentivement les consignes de sécurité et les instructions d'utilisation avant l'utilisation initiale de ce produit.

PRECAUCIÓN:

Lea y observe todas las reglas de seguridad y las instrucciones de operación antes de usar este producto por primera vez.

WINE COOLER

Owner's Manual1-4

- Safety Instructions
- Installation
- Operation
- Care and Maintenance

REFROIDISSEUR DE VIN

Manuel d'utilisation5-8

- Consignes de sécurité
- Installation
- Fonctionnement
- Soins et entretien

REFRIGERADOR PARA VINOS

Manual del propietario9-12

- Instrucciones de seguridad
- Instalación
- Operación
- Cuidado y Mantenimiento



LIMITED PRODUCT WARRANTY

This quality product is warranted to be free from manufacturer's defects in material and workmanship, provided that the unit is used under the normal operating conditions intended by the manufacturer.

This warranty is available only to the person to whom the unit was originally sold by Danby or by an authorized distributor of Danby, and is non-transferable.

TERMS OF WARRANTY

Plastic parts (ie. evaporator door, door rails, covers and trays are warranted for thirty (30) days only from purchase date, with no extensions provided.

First Two Years During the first two (2) years, any electrical parts of this product found to be defective, including any sealed system units, will be repaired or replaced, at warrantor's option, at no charge to the ORIGINAL purchaser. Consumable parts (ie. light bulbs) are not warranted or guaranteed for any length of time.

Third Through Fifth Year During the next three years (3) any part of the sealed system found to be defective (consisting of compressor, condenser, evaporator, dryer and all related tubing) will be replaced without charge. The purchaser shall pay for all labour and return freight during this three year (3) period for repair or replacement of any sealed system components. Any unit being diagnosed as non-functional due to sealed system failure and warranting an exchange during the existing three (3) years will be subject to an appropriate depreciation or user fee, including any and all freight charges being levied against the consumer.

To obtain Service Danby reserves the right to limit boundaries of "In Home Service" due to the proximity of an Authorized Service Depot. Any appliance requiring service outside the limited boundaries of "In Home Service", it will be the customer's responsibility to transport the appliance to the closest Authorized Service Depot at their own expense. Contact your dealer from whom your unit was purchased, or contact your nearest authorized Danby service depot, where service must be performed by a qualified service technician. If service is performed on the units by anyone other than an authorized service depot, or the unit is used for commercial application, all obligations of Danby under this warranty shall be at an end.

The following clause refers to single and double door refrigerators, supplied with or without a separate freezer section. Nothing within this warranty shall imply that Danby will be responsible or liable for any spoilage or damage to food or other contents of this appliance, whether due to any defect of the appliance, or its use, whether proper or improper.

EXCLUSIONS

Save as herein provided, Danby Products Limited (Canada) or Danby Products Inc. (U.S.A.), there are no other warranties, conditions, representations or guarantees, express or implied, made or intended by Danby Products Limited or its authorized distributors and all other warranties, conditions, representations or guarantees, including any warranties, conditions, representations or guarantees under any Sale of Goods Act or like legislation or statute is hereby expressly excluded. Save as herein provided, Danby Products Limited (Canada) or Danby Products Inc. (U.S.A), shall not be responsible for any damages to persons or property, including the unit itself, howsoever caused or any consequential damages arising from the malfunction of the unit and by the purchase of the unit, the purchaser does hereby agree to indemnify and save harmless Danby Products Limited from any claim for damages to persons or property caused by the unit.

GENERAL PROVISIONS

No warranty or insurance herein contained or set out shall apply when damage or repair is caused by any of the following:

- 1) Power Failure.
- 2) Damage in transit or when moving the appliance.
- 3) Improper power supply such as low voltage, defective house wiring or inadequate fuses.
- 4) Accident, alteration, abuse or misuse of the appliance such as inadequate air circulation in the room or abnormal operating conditions, (extremely high or low room temperature).
- 5) Use for commercial or industrial purposes.
- 6) Fire, water damage, theft, war, riot, hostility, acts of God such as hurricanes, floods etc.
- 7) Service calls resulting in customer education.

Proof of purchase date will be required for warranty claims; so, please retain bills of sale. In the event warranty service is required, present this document to our AUTHORIZED SERVICE DEPOT.

Warranty Service	
With-In Canada	With-In United State
In Home	In Home

Danby Products Limited
PO Box 1778, 5070 Whitelaw Road,
Guelph, Ontario, Canada N1H 6Z9
Telephone: (519) 837-0920 FAX: (519) 837-0449

12/02

Danby Products Inc.
PO Box 669, 101 Bentley Court,
Findlay, Ohio, U.S.A. 45839-0669
Telephone: (419) 425-8627 FAX: (419) 425-8629

SAFETY INSTRUCTIONS

ATTENTION

GROUNDING INSTRUCTIONS

This appliance must be grounded. In the event of an electrical short circuit, grounding reduces the risk of electrical shock by providing an escape wire for the electrical current. This appliance is equipped with a cord having a grounding wire with a grounding plug. The plug must be plugged into an outlet that is properly installed and grounded.

WARNING - Improper use of the grounding plug can result in a risk of electric shock. Consult a qualified electrician or serviceman if the grounding instructions are not completely understood, or if the doubt exists as to whether the appliance is properly grounded.

DO NOT USE AN EXTENSION CORD

Use an exclusive wall outlet. Do not connect your wine cooler to extension cords or together with any other appliance in the same wall outlet. Do not splice the cord.

IMPORTANT WARNING

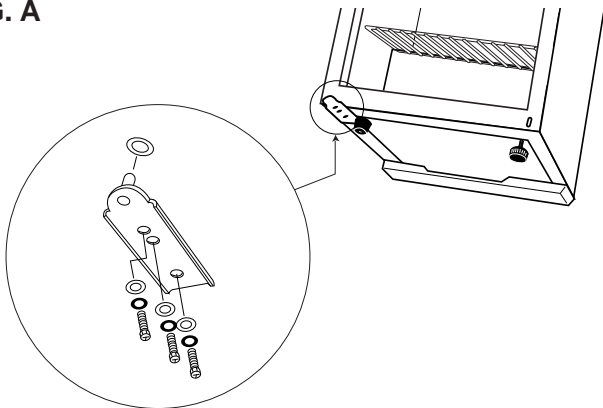
An empty wine cooler is a very dangerous attraction to children. Remove either the gasket, latches, lids or doors from unused appliances, or take some other action that will guarantee it harmless.

DON'T WAIT! DO IT NOW!

SPECIAL INSTRUCTIONS

You must remove the bottom door support on the bottom left hand side of the unit before you can open the door. (See Fig. A)

FIG. A



INSTALLATION INSTRUCTIONS

Remove the exterior and interior packings, wipe the outside thoroughly with a soft dry cloth and the inside with a wet, lukewarm cloth. Avoid placing the cabinet in a narrow recess or near any heat source, direct sunlight, or moisture. Let air circulate freely around the cabinet. Keep the rear of the wine cooler 5 inches away from the wall.

Location

1. Select a place with a strong, level floor.
2. Allow 5 inches of space between the back of the wine cooler and any adjacent wall.
3. Avoid direct sunlight and heat. Direct sunlight may affect the acrylic coating. Heat sources nearby will cause higher electricity consumption.

To avoid vibration, the cabinet must be set level. To start the wine cooler, turn the temperature control to the position corresponding to the desired cooling. The wine cooler temperature will vary depending on the quantity of bottles stored and on the frequency with which the door is opened.

OPERATION

To turn "OFF" the wine cooler permanently, you must disconnect the power cord from the electrical outlet. There is no "Off" position (setting) available on the electronic control panel. When the wine cooler is not to be used for a long period of time, disconnect the plug and leave the door partially open.

NOTE: Wait 3 to 5 minutes before restarting if operation has been interrupted.

Interior Light

The operation of the interior light is "manually" controlled and does not operate with the opening or closing of the door. To operate the light; manually press the "light" key pad located on the electronic control panel. **NOTE:** Leaving the interior light on for extended time periods, will increase the internal temperature of the cabinet

Defrosting

Your wine cooler is designed with an "Auto-Cycle" defrost system. *What is Auto Cycle defrost?*

The refrigerated surfaces of the fresh food compartment defrost automatically, during the "off" cycle of the cold control. (thermostat) Defrost water from the fresh food compartment is disposed of automatically, by means of being channeled onto a drip tray located on the compressor. Heat transfer from the compressor causes the defrost water to evaporate.

ELECTRONIC CONTROL OPERATION;

The electronic LED display on this wine cooler is programmed to display (independently) the following temperature (only) information.

"INTERNAL CABINET TEMPERATURE: This setting is represented by a "steady" state (non-flashing) LED display and is the normal (LED) default setting during operation.

SET OPERATING TEMPERATURE: This setting is represented by a "flashing" LED display and can only be programmed (SET) by pressing and releasing either of the +/- (temperature) keys during operation. **NOTE:** The set temperature can only be adjusted/set while the LED is in "flashing" mode.

CARE & MAINTENANCE

DEFAULT SETTINGS: When the unit is first connected to a 120V/60Hz power supply, (and/or in the event of a power failure) temperature settings automatically revert to the following default settings;

The LED default setting for the internal (cabinet) temperature is the "real time" (ambient) temperature measured at the time the unit is connected or power is restored.

The LED default setting for the set operating temperature is 50°F / 10°C. (after a power failure has occurred, the previously set temperature is automatically erased and will have to be re-set)

The LED default setting for temperature selection (°F/°C) is °F. (Fahrenheit Scale)

SETTING OPERATING TEMPERATURE: To set/change the operating temperature;

1. Press and release either of the +/- (temperature) keys.

The LED display will temporarily reveal the (flashing) set temperature for approximately 5 seconds. (If you fail to set/change the operating temperature within this 5 second period, the LED will automatically revert back and display the internal (cabinet) temperature.

2. Each depression of the +/- key (during flashing mode) will increase the temperature incrementally by 1° (Temperature ranges between 43°F ~ 57°F / 6°C ~ 14°C)

3. Each depression of the +/- key (during flashing mode) will decrease the temperature incrementally by 1° (Temperature ranges between 43°F ~ 57°F / 6°C ~ 14°C)
The operating temperature will "flash" in the LED display for approximately 5 seconds after the selection is made, then revert back to display the internal (cabinet) temperature.

TEMPERATURE SELECTION (°F/°C): This unit can display temperatures on the "Fahrenheit" or "Celsius" scale. Press the temperature selector keypad to alternate between °F/°C scale. The "blue" indicator light adjacent to the corresponding mode will illuminate to signify the selection made.

Cleaning

To clean the inside, use a soft cloth and a solution of a tablespoon of baking soda to one quart of water, or a mild soap suds solution, or some mild detergent. Clean the wooden wine racks (shelves) using a lightly dampened cloth then dry thoroughly with a soft cloth. Clean the outside with a soft damp cloth and some mild detergent or appliance cleaner.

Vacation Time

For short vacation periods, leave the electronic controls at their usual settings. During longer absences,

- (a) remove bottles,
- (b) disconnect from electrical outlet,
- (c) clean the wine cooler thoroughly,
- (d) leave door open to avoid possible formations of condensate, mold or odors.

Power Failure

Most power failures are corrected within an hour or two and will not affect the internal temperature of your wine cooler. Try and minimize the number of door openings while the power is off. During power failures of longer duration, take steps to protect your wine. When power is restored, the previously "set" operating temperature is automatically erased and must be re-programmed. (See Setting Operating Temperature)

If You Move

Remove or securely fasten down all loose items inside the wine cooler. To avoid damaging the leveling screws, turn them all the way into the base.

Light Bulb Replacement

To replace the interior light bulb;
Remove the screw holding the light bulb cover, remove cover. Unscrew light bulb. Replace light bulb.

NOTE: This appliance uses a standard 40 watt appliance bulb only. (available at most local hardware stores) Replacement bulb should not exceed 40watt rating.

Replace light bulb cover. Re-install screw to secure cover.

Cabinet bonderized and acrylic-enameled according to the most modern electrostatic spraying techniques. High-density polyurethane thermal insulation. Magnetic door closure gasket.

Wine Racks:

This unit is equipped with the following wine racks;

- 8 Wooden Racks (Flat) 6pcs 750ml bottles per shelf.
- 1 Wooden Rack (Off-Set) 5pcs 750ml bottles per shelf.
- 1 Wooden Rack (Layered) 6pcs x 2 750ml bottles per shelf.

Total Capacity: = 65 Bottles based on "single" tier stacking. (See Fig. 1)

NOTE: It is possible to increase the bottle capacity of your wine cooler by eliminating 2 "flat" racks and adjusting the 4 middle shelves to accomodate "double" tier stacking.

Total Capacity = 75 Bottles based on "double) tier stacking. (See Fig. 2)

Some Important Rules for the Correct Use of the Wine Cooler

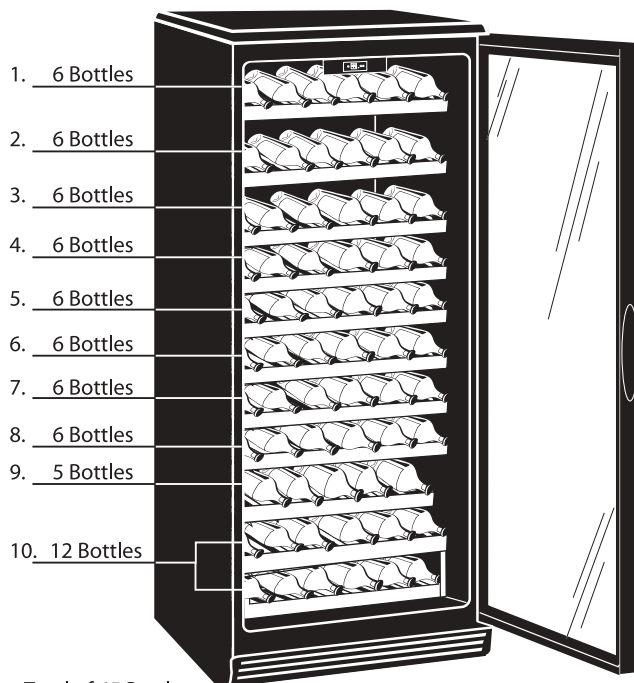
- Beverages should be stored in sealed bottles.
- Don't overload the cabinet.
- Don't open the door unless necessary.
- Should the wine cooler be stored without use for long periods it is suggested, after a careful cleaning, to leave the door ajar to allow the air to circulate inside the cabinet in order to avoid possible formations of condensate, mold or odors.
- DO NOT cover shelves with aluminum foil or any other shelf covering material which may prevent air circulation.

Recommended Temperatures for Chilling Wine

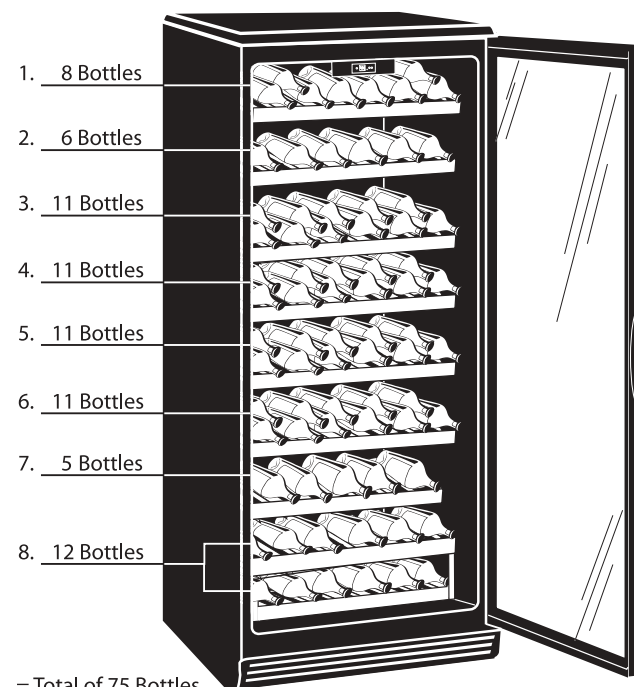
Dry Wines:	9°C / 48.2°F - 14°C / 57.2°F
Rosé Wines:	10°C / 50°F
Red Wines:	13°C / 55.4°F - 14°C / 57.2°F
Sparkling Wines:	9°C / 48.2°F

Technical and Structural Operation Features

Cabinet bonderized and acrylic-enameled according to the most modern electrostatic spraying techniques. High-density polyurethane thermal insulation. Magnetic door closure gasket.

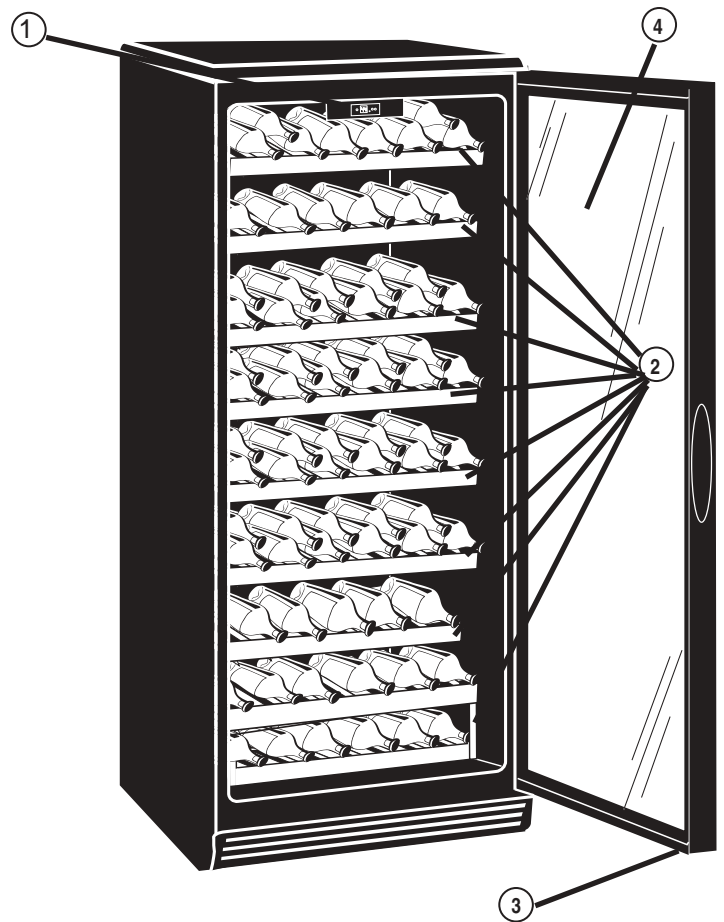


= Total of 65 Bottles
Single Tier Stacking, Using 10 Shelves

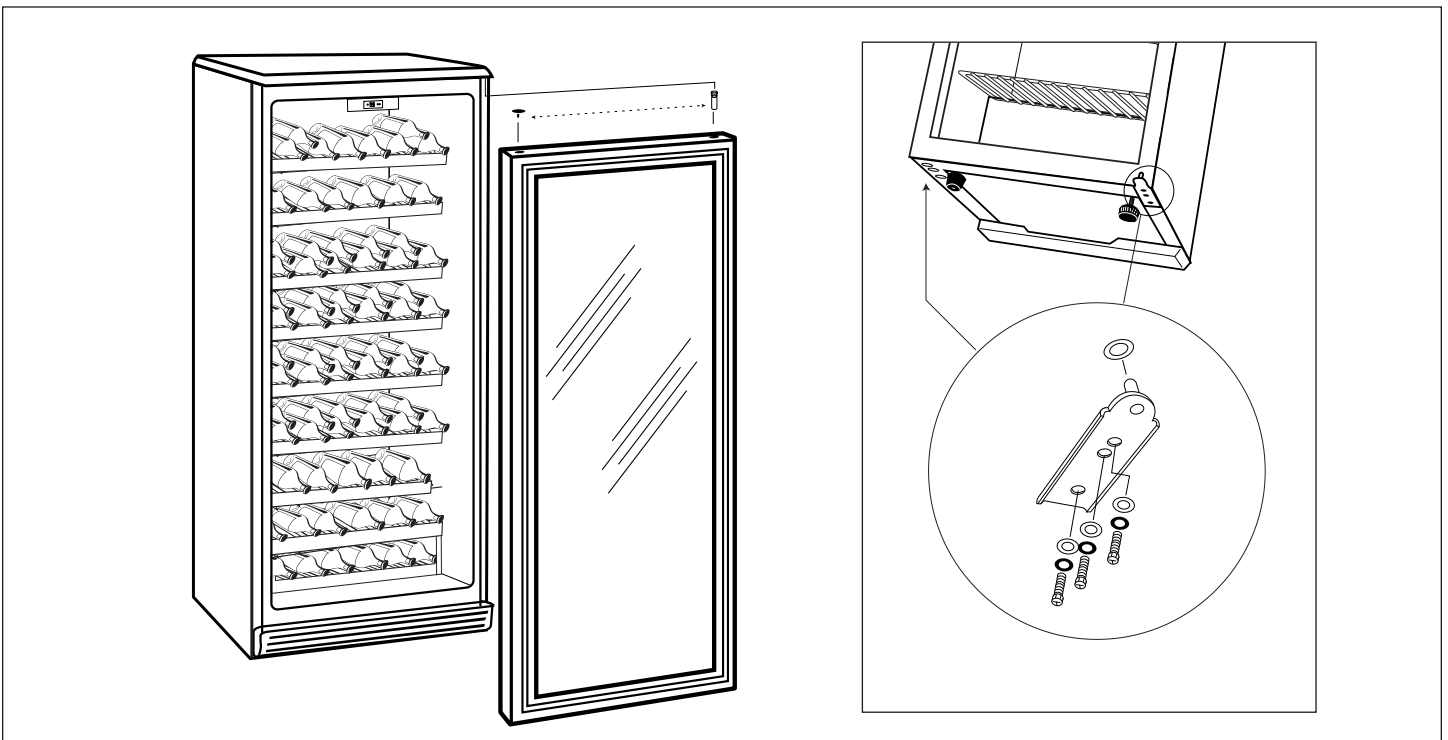


= Total of 75 Bottles
Single & Double Tier Stacking, Using 8 Shelves

1. **ELECTRONIC TEMPERATURE CONTROLS:** (External front mounted controls) For controlling the temperature inside the wine cooler. Turns the motor on/off as soon as the temperature rises /falls above/below the desired cooling level.
2. **PLASTIC COATED CANTILEVER SHELVES:** Odor resistant, rustproof, and removable for easy cleaning.
3. **MAGNETIC GASKET:** Tight fitting door seal keeps all the cooling power locked inside. No hooks or latches.
4. **TEMPERED GLASS DOOR & INTERIOR LIGHT:** Allows easy interior visibility.



DOOR REVERSAL INSTRUCTIONS



Cet appareil de qualité est garanti exempt de tout vice de matière première et de fabrication, s'il est utilisé dans les conditions normales recommandées par le fabricant.

Cette garantie n'est offerte qu'à l'acheteur initial de l'appareil vendu par Danby ou par l'un des ses distributeurs agréés et elle ne peut être transférée.

CONDITIONS

Pièces en plastique (la porte de l'évaporateur, gardes de porte, couvercle et bacs sont couverts par une garantie sans extension de 30 jours de la date d'achat.

Deuxième années Pendant la *deuxième* (2) année, toutes pièces électriques de ce produit s'avèrent défectueuses, y compris les unités ayant des systèmes obturés, seront réparées ou remplacées, selon le choix du garant, sans frais à l'acheteur INITIAL. Les autres pièces courantes (par ex., les ampoules) ne sont couvertes par aucune garantie.

De la Troisième à la cinquième années Pendant les prochaines trois (3) années, les pièces s'avèrent défectueuses (y compris le: compresseur, condensateur, évaporateur, sècheuse, et tous leurs boyaux) seront remplacés sans frais. L'acheteur est responsable envers tous les frais de main-d'oeuvre et de transport pendant cette période de trois (3) ans pour la réparation et le rechange sur tous les composants du système obturé. Toute unité de diagnostic inadéquate due à un vice du système obturé et qui exige une unité de rechange pendant ces trois (3) ans subira un taux de dépréciation convenable ou à un frais pour l'acheteur. Ceci inclut tous les frais de transport qui seront imposés contre l'acheteur.

Pour bénéficier du service sous garantie Danby réserve le droit de limiter le rayon du "Service au domicile" selon la proximité d'un dépôt de service autorisé. Le client sera responsable pour le transport et tous les frais d'expédition de tout appareil exigeant le service en dehors des limites du "Service au domicile" au dépôt de service autorisé le plus proche. S'adresser au détaillant qui a vendu l'appareil, ou à la station technique agréée de service la plus proche, où les réparations doivent être effectuées par un technicien qualifié. Si les réparations sont effectuées par quiconque autre que la station de service agréée où à des fins commerciales, toutes les obligations de Danby en vertu de cette garantie seront nulles et non avenues.

L'article suivante se reporte aux réfrigérateurs à porte simple ou double, avec ou sans une section de congélation. Cette garantie indique en aucun temps la responsabilité de Danby de l'avarie ou dommage de la nourriture ou autre contenu, soit par les vices de l'appareil, ou soit par l'utilisation convenable ou inexacte.

EXCLUSIONS

En vertu de la présente, il n'existe aucune autre garantie, condition ou représentation, qu'elle soit exprimée ou tacite, de façon manifeste ou intentionnelle, par Danby Products Limitée (Canada) ou Danby Products Inc. (E.- U. d'A.) ou ses distributeurs agréés. De même, sont exclues toutes les autres garanties, conditions ou représentations, y compris les garanties, conditions ou représentations en vertu de toute loi régissant la vente de produits ou de toute autre législation ou règlement semblables.

En vertu de la présente, Danby Products Limitée (Canada) ou Danby Products Inc. (E.- U. d'A.) ne peut être tenue responsable en cas de blessures corporelles ou des dégâts matériels, y compris à l'appareil, quelle qu'en soit les causes. Danby ne peut pas être tenue responsable des dommages indirects dus au fonctionnement défectueux de l'appareil. En achetant l'appareil, l'acheteur accepte de mettre à couvert et de dégager Danby Products Limitée de toute responsabilité en cas de réclamation pour toute blessure corporelle ou tout dégât matériel causé par cet appareil.

CONDITIONS GÉNÉRALES

La garantie ou assurance ci-dessus ne s'applique pas si les dégâts ou réparations sont dus aux cas suivants:

- 1) Panne de courant;
- 2) Dommages subis pendant le transport ou le déplacement de l'appareil;
- 3) Alimentation électrique incorrecte (tension faible, câblage défectueux, fusibles incorrects);
- 4) Accident, modification, emploi abusif ou incorrect de l'appareil;
- 5) Utilisation dans un but commercial ou industriel;
- 6) Incendie, dommages causés par l'eau, vol, guerre, émeute, hostilités, cas de force majeure (ouragan, inondation, etc.);
- 7) Visites d'un technicien pour expliquer le fonctionnement de l'appareil au propriétaire.

Une preuve d'achat doit être présentée pour toute demande de réparation sous garantie. Prière de garder le reçu. Pour faire honorer la garantie, présenter ce document à la station technique agréée ou s'adresser à:

Service sous-garantie	
Canada	E.-U. d'A
Domicile	Domiciler

Danby Products Limitée
PO Box 1778, 5070 Whitelaw Road,
Guelph, Ontario, Canada N1H 6Z9
Téléphone: (519) 837-0920 Télécopieur: (519) 837-0449

01/03

Danby Products Inc.
PO Box 669, 101 Bentley Court,
Findlay, Ohio, U.S.A. 45839-0669
Telephone: (419) 425-8627 FAX: (419) 425-8629

CONSIGNES DE SÉCURITÉ

ATTENTION

MISE À LA TERRE

Cet appareil doit être mis à la terre. En cas de court-circuit, la mise à la terre réduit les risques de décharge électrique en fournissant un échappatoire au courant électrique. L'appareil est muni d'un cordon électrique comprenant un fil de mise à la terre et une fiche de terre. Branchez la fiche dans une prise de courant correctement installée et mise à la terre.

Avertissement - Consultez un électricien ou un technicien qualifié si vous ne comprenez pas bien les instructions de mise à la terre ou si vous avez un doute quelconque sur la bonne mise à la terre de l'appareil.

N'UTILISER JAMAIS DE FIL DE RALLONGE

S'il est possible, brancher le refroidisseur de vin à son propre circuit. Ainsi, les autres appareils ou la surcharge des lampes du domicile ne peuvent pas surcharger et interrompre le courant électrique. Une connexion desserrée peut se doubler à un autre appareil dans la même prise murale.

PRÉCAUTION IMPORTANTE

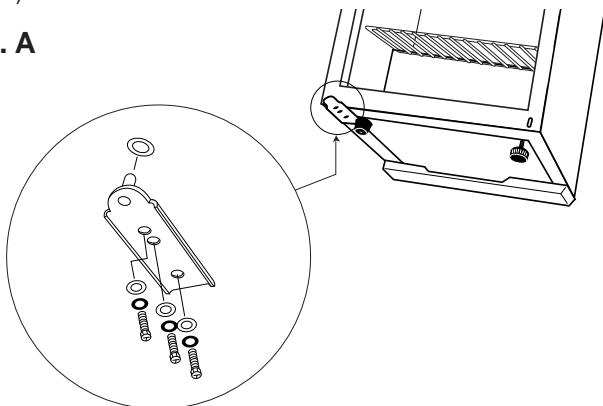
Un refroidisseur de vin vide est une attraction dangereuse aux enfants. Enlever les joints étanches, les loquets, les couvercles ou les portes des appareils qui ne sont pas utiliser, ou faites de soit que l'appareil ne présente aucun danger.

**N'ATTENDEZ PAS!
FAITES-LE IMMÉDIATEMENT!**

INSTRUCTIONS SPECIALES

Il faut enlever le support de la porte en bas qui se trouve en bas à gauche de l'appareil avant que vous puissiez ouvrir la porte (Fig. A)

FIG. A



INSTRUCTION INSTALLATION

Enlever les emballages extérieures et intérieures. Essuyer complètement l'extérieur avec un linge doux sec et l'intérieur avec un linge humide tiède. Il ne faut jamais situer l'appareil dans un recoin étroit ou proche d'une source d'air chaud, au soleil direct ou à l'humidité. L'air doit circuler à l'entour de l'appareil. Éloigner le refroidisseur de vin au moins 5 pouces du mur.

Emplacement

1. Choisir une place qui a un plancher fort et à niveau.
2. Éloigner l'appareil de 5 pouces des murs arrière et de côté.
3. Éviter les rayons de soleil et la chaleur directs qui peuvent affecter la surface en acrylique. Les sources de chaleur rapprochées augmentent la consommation d'énergie.

FONCTIONNEMENT

Pour arrêter le cabinet à vins de façon permanente, débranchez le cordon d'alimentation électrique de la prise de courant. Il n'y a pas de position «OFF» sur le tableau de commande électronique. Lorsque le cabinet à vins n'est pas utilisé pendant une longue période, débranchez la prise de courant et laissez la porte partiellement ouverte.

Lumière intérieure

La lumière intérieure est contrôlée manuellement; elle n'est pas contrôlée par l'ouverture ou la fermeture de la porte. Pour allumer la lumière, appuyez sur le bloc de commande de l'ampoule électrique située sur le tableau de commande électronique. NOTA : Lorsque la lumière reste allumée pendant de longues périodes, elle fait augmenter la température à l'intérieur du cabinet

FONCTIONNEMENT DE LA COMMANDE ÉLECTRONIQUE

L'afficheur électronique à DEL du cabinet à vins est programmé pour afficher (indépendamment) les renseignements ci-dessous sur la température (uniquement).

TEMPÉRATURE INTERNE DU CABINET : Ce réglage est représenté par un affichage non clignotant à DEL; c'est la valeur normale par défaut lorsque le cabinet est en marche.

RÉGLAGE DE LA TEMPÉRATURE DE FONCTIONNEMENT : Ce réglage est représenté par un affichage à DEL clignotant; la programmation ne peut être faite qu'en appuyant à plusieurs reprises sur les touches de température +/- pendant que le cabinet est en marche. NOTA : La température demandée ne peut être ajustée/réglée que lorsque la DEL clignote.

RÉGLAGES PAR DÉFAUT : Lorsque vous branchez le cabinet pour la première fois dans une prise d'alimentation électrique de 120 V/60 Hz (vous devrez également le faire en cas de panne d'électricité), les réglages de température passeront automatiquement aux réglages par défaut suivants : Le réglage par défaut de la DEL pour la température interne du cabinet est la température ambiante réelle mesurée au moment où le

cabinet est branché ou au moment où l'alimentation est rétablie. Le réglage par défaut de la DEL pour les températures d'utilisation est établi à 50 °F / 10 °C. (Après une panne d'électricité, les réglages de température que vous aviez établis sont automatiquement supprimés et vous devrez les rétablir)

Le réglage de la température à DEL (°F/°C) est fait en °F (échelle Fahrenheit).

RÉGLAGE DE LA TEMPÉRATURE D'UTILISATION : Pour régler/changer la température d'utilisation, procédez comme suit :

1. Appuyez à plusieurs reprises sur les touches +/- (température) jusqu'à ce que vous parveniez à la température désirée.

L'afficheur à DEL indiquera temporairement (clignotement) la température demandée pendant 5 secondes environ. Si vous ne réglez/changez pas la température d'utilisation au cours de cette période de 5 secondes, la DEL reviendra automatiquement à l'affichage de la température à l'intérieur du cabinet.

2. Chaque fois que vous appuyez sur la touche +/- (alors que la DEL clignote) vous augmentez la température de 1 ° (gamme de températures allant de 43 °F ~ 57 °F / 6 °C ~ 14 °C).

3. Chaque fois que vous appuyez sur la touche +/- (alors que la DEL clignote) vous réduisez la température de 1 ° (gamme de températures allant de 43 °F ~ 57 °F / 6 °C ~ 14 °C). La température d'utilisation clignote sur l'afficheur à DEL pendant 5 secondes environ une fois que la sélection est faite avant de revenir à la température interne du cabinet.

SÉLECTION DE LA TEMPÉRATURE (°F/°C) : Ce cabinet peut afficher les températures en degrés «Fahrenheit» ou «Celsius». Appuyez sur le clavier des températures pour passer d'une échelle à l'autre. Le voyant indicateur «bleu» adjacent au mode correspondant s'allume pour indiquer l'échelle choisie.

SOINS ET ENTRETIEN

Entretien

Pour nettoyer l'intérieur du cabinet, utilisez un chiffon doux et une solution composée d'une cuillère à soupe de poudre à pâte diluée dans une pinte d'eau ou une solution d'eau et de savon doux ou un détergent doux. Nettoyez les supports en porte-à-faux pour le vin à l'aide d'un chiffon légèrement humecté puis séchez-les à l'aide d'un chiffon doux. Nettoyez l'extérieur du cabinet à l'aide d'un chiffon doux et d'un détergent doux ou d'un produit de nettoyage des appareils électroménagers.

Pendant les vacances

Si vous prenez des vacances d'un mois ou moins, ne touchez pas à la commande du thermostat. Pendant les vacances plus prolongées:

- enlever tous les bouteilles,
- débrancher l'appareil,
- nettoyer tout le refroidisseur de vin,
- laisser la porte ouverte pour éviter les mauvaises odeurs.

Pannes de courant

La plupart des pannes de courant sont corrigées en une heure ou deux, ce qui ne devrait pas avoir d'incidence sur la température intérieure du cabinet à vins. Essayez de minimiser le nombre fois où la porte du cabinet est ouverte pendant les pannes d'électricité. Pendant les pannes d'électricité de plus longue durée, faites le nécessaire pour protéger votre vin. Lorsque l'alimentation électrique est rétablie, les réglages de température que vous aviez établis sont automatiquement effacés et vous devrez refaire la programmation (voir la rubrique «Réglage de la température»)

Déménagement

Enlever ou immobiliser toutes les pièces amovibles à l'intérieur du refroidisseur de vin. Serrer les vis à nivellement à la base afin de ne pas les endommager.

Remplacement de l'ampoule électrique

Remplacement de l'ampoule située à l'intérieur du cabinet : Retirez la vis retenant le couvre-ampoule; retirez le couvercle. Dévissez l'ampoule. Installez la nouvelle ampoule.

NOTA : Cet appareil utilise uniquement des ampoules ordinaires de 40 W pour les appareils électroménagers. Ces ampoules sont vendues dans la plupart des quincailleries. L'ampoule de rechange ne doit pas avoir une puissance de plus de 40 W. Remettez le couvre-ampoule. Réinstallez la vis qui retient le couvercle.

Étagères cantilever

Ce modèle est équipé avec les étagères cantilever suivantes:

- une étagère plate régulière pour le réfrigérateur
- 3 étagères courbées pour le vin
- une étagère courbée échelonnée en bas -non-cantilever

Note: L'étagère courbée amovible pour le vin et l'étagère plate amovible sont interchangeables. Si vous voulez acheter des étagères plates supplémentaires il faut les commander séparément en appelant le département des pièces de Danby au 1-800-26-DANBY

Importantes consignes de sécurité pour l'utilisation du refroidisseur de vin

- Ranger les breuvages dans des contenants étanches.
- Ne jamais surcharger l'appareil.
- Ouvrir la porte seulement si nécessaire.
- Pour un rangement prolongé de l'appareil, il est suggéré de laver l'appareil, de laisser la porte ouverte afin de fournir une circulation d'air à l'intérieur du meuble et d'éviter le développement de condensation, de mois et d'odeurs.
- Ne jamais recouvrir les clayettes du compartiment de papier d'aluminium ou autres matériaux car ceci peut empêcher la circulation d'air.

Supports à vins:

L'appareil contient les supports suivants :

- * 8 supports en bois (plats) 6 bouteilles de 750 ml par tablette
- * 1 support en bois (décalé) 5 bouteilles de 750 ml par tablette
- * 1 support en bois (étagé) 6 x 2 bouteilles de 750 ml par tablette

Capacité totale : 65 bouteilles lorsque les bouteilles sont cordées à raison d'un seul rang par étage (voir la Fig. 1)

NOTA : Il est possible d'augmenter la contenance de votre cabinet à vins en éliminant 2 supports plats et en ajustant les tablettes du milieu de façon à pouvoir corder les bouteilles à raison de deux par étage.

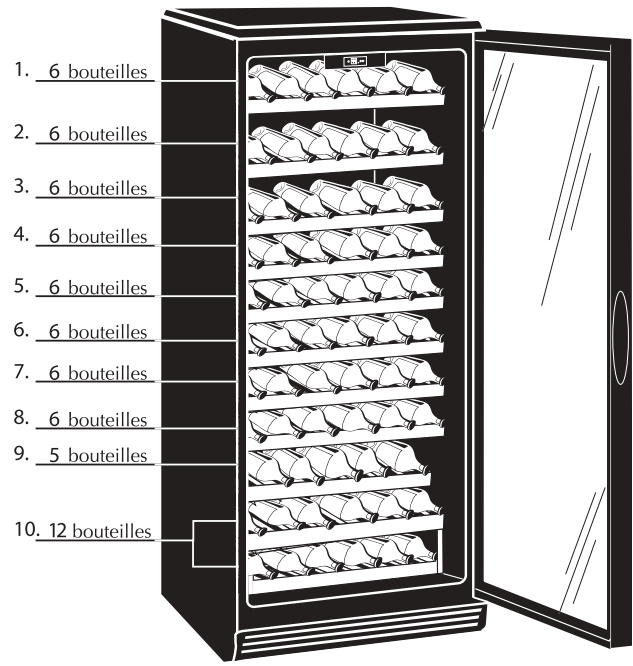
Capacité totale : 75 bouteilles lorsque les bouteilles sont cordées en double rangée (voir la Fig. 2).

Températures recommandées pour le refroidissement de vin

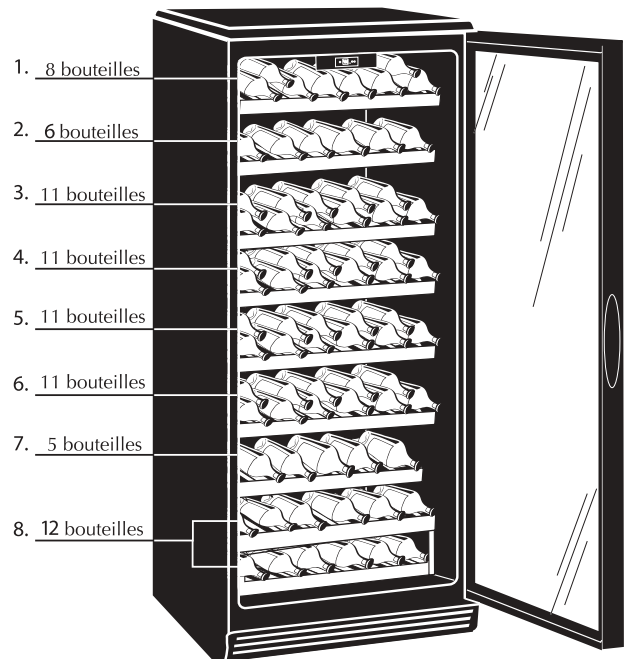
Vin sec:	9°C / 48.2°F - 14°C / 57.2°F
Vin rosé:	10°C / 50°F
Vin rouge:	13°C / 55.4°F - 14°C / 57.2°F
Vin pétillant:	9°C / 48.2°F

Caractéristiques Techniques et de Construction

Thermostat pour réglage automatique de la température. Meuble laminé et émaillé selon les techniques de peinture au pistolet les plus modernes. Isolation thermique en polyuréthane de haute densité et joint étanche magnétique de porte.

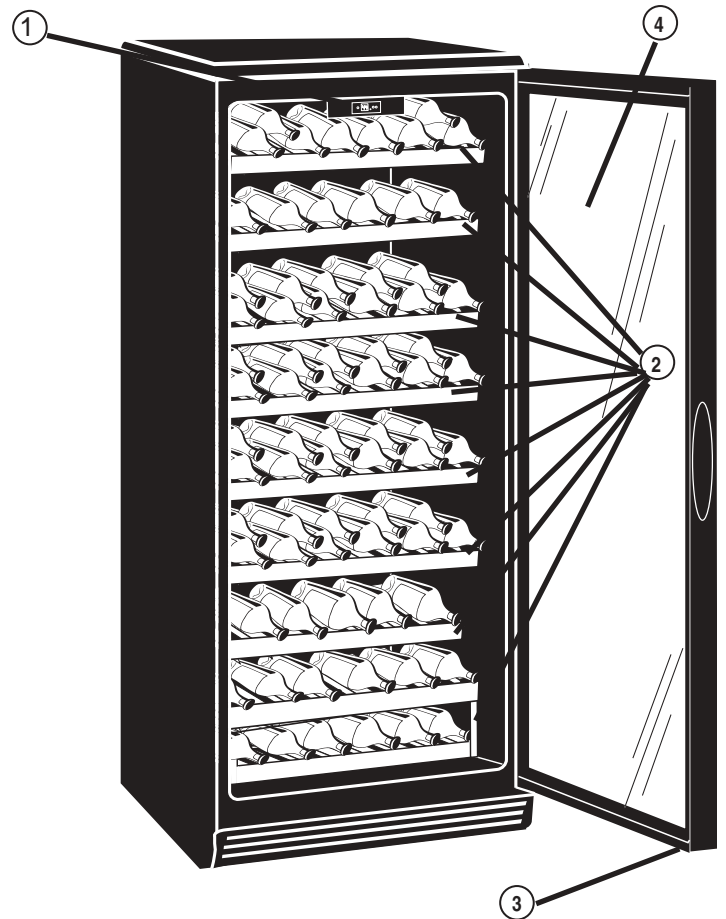


Numération de 65 bouteilles
Etage singulière, utilise 10 rayons

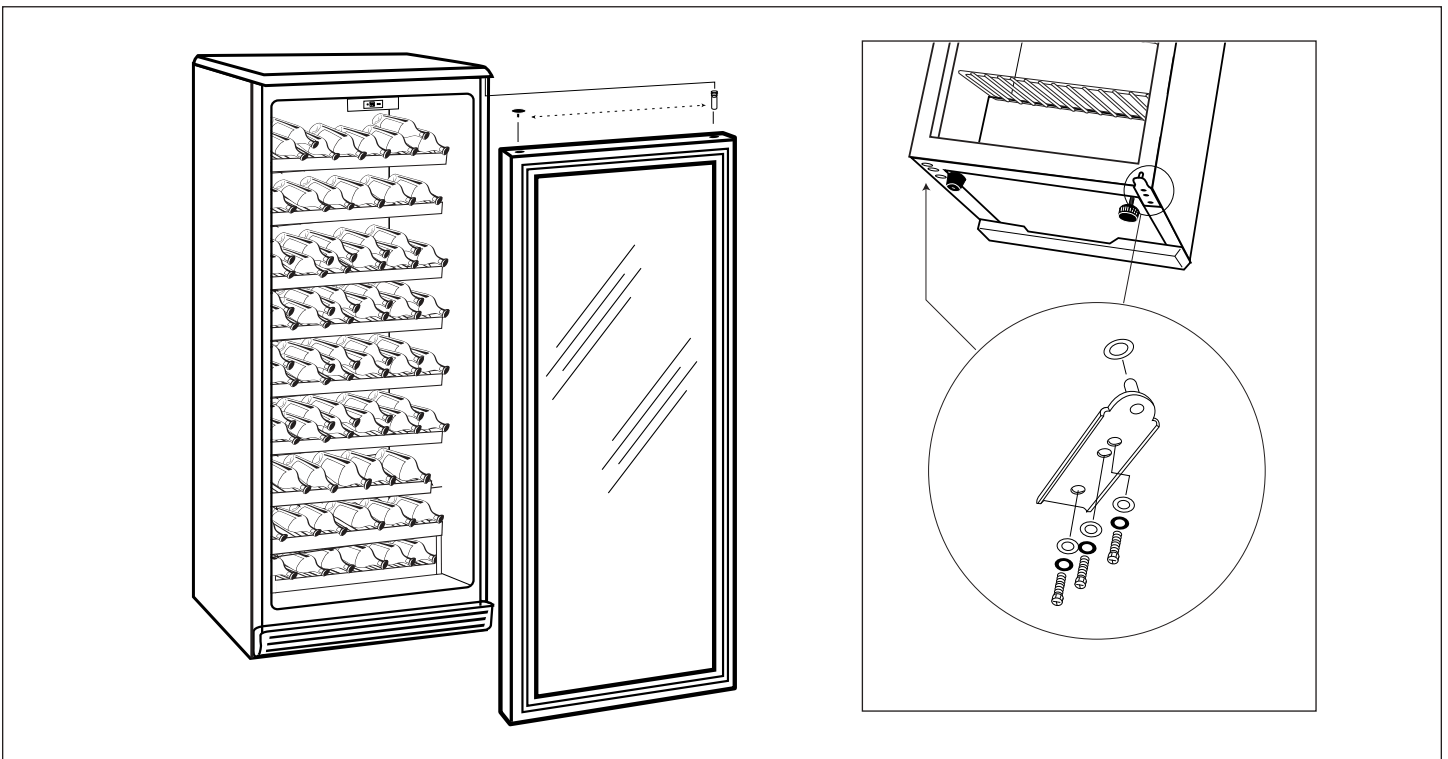


Numération de 75 bouteilles
Etage singulière et double, utilise 8 rayons

1. **COMMANDE ÉLECTRONIQUE DE LA TEMPÉRATURE :**
(Commande installée sur l'extérieur, à l'avant) Contrôle de température à l'intérieur du cabinet à vins. Coupe ou met en marche le moteur dès que la température dépasse (n plus ou en moins)le niveau de température désiré
2. **CLAYETTES PLASTIFIÉES CANTILEVER:** Résistent aux odeurs et à la rouille. Amovibles pour faciliter l'entretien.
3. **OINT ÉTANCHE MAGNÉTIQUE:** Le joint étanche empêche l'air frais de s'échapper.
4. **PORTE EN VERRE TREMPÉ ET LAMPE INTÉRIEURE:**
Visibilité claire d'intérieur.



INSTRUCTIONS POUR LE RENVERSEMENT DE LA PORTE





GARANTÍA LIMITADA DEL PRODUCTO

Se garantiza que este producto de calidad se encuentra libre de defectos de fabricación en material y mano de obra, siempre que la unidad se use bajo las condiciones de funcionamiento normales propuestas por el fabricante.

Esta garantía se encuentra disponible solamente para la persona a quien Danby o un distribuidor autorizado de Danby vendió originalmente esta unidad, y no se puede transferir.

TÉRMINOS DE LA GARANTÍA

Las partes plásticas (por ej. la puerta del evaporador, las guías de las puertas, las tapas y bandejas están garantizadas por treinta (30) días solamente desde la fecha de compra, sin prórrogas.

Primero 2 años Durante el primer año (2), todas las partes eléctricas de este producto que se encuentren defectuosas, incluyendo todas las unidades selladas del sistema, se repararán o cambiarán, a opción del garante, sin cargo alguno para el comprador ORIGINAL. Las partes que se consumen (por ej. lámparas) no están garantizadas por ningún período de tiempo.

Segundo por quintos años Durante los siguientes tres años (3) toda parte del sistema sellado que se encuentre defectuosa (compuesto del compresor, condensador, evaporador, secador y todas las tuberías asociadas) se cambiarán sin cargo alguno. El comprador pagará por toda la mano de obra y flete de regreso durante este período de tres años (3) para reparar o cambiar cualquiera de los componentes sellados del sistema. Toda unidad que se diagnostique como no funcional debido a una falla del sistema sellado y a la que corresponda un cambio durante los tres años (3) existentes, estará sujeta a una depreciación correspondiente o cuota de usuario, incluyendo cualquiera y todos los costos de flete que se le exijan al consumidor.

Para obtener servicio Comuníquese con su representante en donde compró la unidad, o con el departamento de servicio autorizado de Danby más cercano, en donde un técnico de servicio competente efectuará la reparación. Si cualquier otro departamento que no sea el autorizado lleva a cabo el servicio de reparaciones en las unidades o si la unidad se usa para una aplicación comercial, todas las obligaciones de Danby bajo esta garantía se verán terminadas.

La siguiente cláusula se refiere a refrigeradores de una puerta o de dos puertas suministrados con o sin una sección de congelador separada. Nada dentro de esta garantía implica que Danby será responsable por cualquier daño que hayan sufrido los alimentos u otros contenidos de este aparato, ya sea debido a un defecto del aparato, o su uso, adecuado o inadecuado.

EXCLUSIONES

Con excepción de lo que se especifica en la presente, Danby Products Limited (Canada) o Danby Products Inc. (U.S.A.), no existe ninguna otra garantía, condición o representación, explícita o implícita, hecha o pretendida por Danby Products Limited o sus distribuidores autorizados, y toda otra garantía, condición o representación, incluyendo toda garantía, condición o representación bajo la Ley de Venta de Artículos, u otra legislación o estatuto similar, queda por la presente excluida. Con excepción de o que se especifica en la presente, Danby Products Limited (Canada) o Danby Products Inc. (U.S.A.) no será responsable de ningún perjuicio a personas o propiedad, incluyendo la unidad misma, de cualquier manera que se hubiese causado, ni de ningún perjuicio resultante del malfuncionamiento de la unidad y, con la compra de la unidad, el comprador por la presente acuerda indemnizar y exonerar a Danby Products Limited de todo reclamo por daños y perjuicios a personas o propiedad causados por la unidad.

ESTIPULACIONES GENERALES

Ninguna garantía o seguro contenido en la presente o determinado por la presente corresponderá cuando el perjuicio o la reparación hayan sido causados por cualquiera de las siguientes causas:

- 1) Corte de corriente
- 2) Daño en tránsito o cuando se estaba moviendo el aparato
- 3) Corriente eléctrica inadecuada como baja tensión, conexiones defectuosas en la casa o fusibles inadecuados.
- 4) Accidente, alteración, abuso o mal uso del aparato como circulación inadecuada de aire en la habitación o condiciones de funcionamiento anormales (temperaturas de la habitación demasiado altas o bajas).
- 5) Uso para fines comerciales o industriales.
- 6) Incendio, daños causados por agua, robo, guerras, insurrecciones, hostilidades, actos de fuerza mayor como huracanes, inundaciones, etc.
- 7) Llamadas para recibir servicio que resulte en la educación del cliente.

Prueba de la fecha de compra será necesaria para los reclamos sobre garantía; de modo que tenga la bondad de guardar la boleta de venta. En caso que se requiera un servicio bajo garantía, presente este documento a nuestro DEPARTAMENTO DE SERVICIO AUTORIZADO.

Servicio de Garantía	
Dentro del Canadá	Dentro de los Estados Unidos
En el hogar	En el hogar

Danby Products Limited
PO Box 1778, 5070 Whitelaw Road,
Guelph, Ontario, Canada N1H 6Z9
Telephone: (519) 837-0920 FAX: (519) 837-0449

01/03

Danby Products Inc.
PO Box 669, 101 Bentley Court,
Findlay, Ohio, U.S.A. 45839-0669
Telephone: (419) 425-8627 FAX: (419) 425-8629

INSTRUCCIONES DE SEGURIDAD

ATENCIÓN

INSTRUCCIONES PARA LA CONEXIÓN A TIERRA

Este aparato electrodoméstico debe estar conectado a tierra. En caso de un cortocircuito eléctrico, la conexión a tierra reduce el riesgo de choque eléctrico proporcionando un cable de escape para la corriente eléctrica. Este aparato viene equipado con un cordón que posee un cable a tierra con un enchufe de conexión a tierra. Este enchufe debe estar enchufado en un tomacorriente instalado correctamente y conectado a tierra.

ADVERTENCIA - El uso inadecuado del enchufe de conexión a tierra puede resultar en un riesgo de choque eléctrico. Consulte con un electricista o persona de reparaciones competente si no comprende bien las instrucciones de conexión a tierra o si existe alguna duda sobre si el aparato está conectado a tierra correctamente.

NO USE UN CORDÓN DE PROLONGACIÓN ELÉCTRICA

Use un tomacorriente de pared exclusivo. No conecte su refrigerador para vinos a cordones de prolongación eléctrica o junto a cualquier otro electrodoméstico en el mismo tomacorriente de pared. No empalme el cordón.

ADVERTENCIA IMPORTANTE:

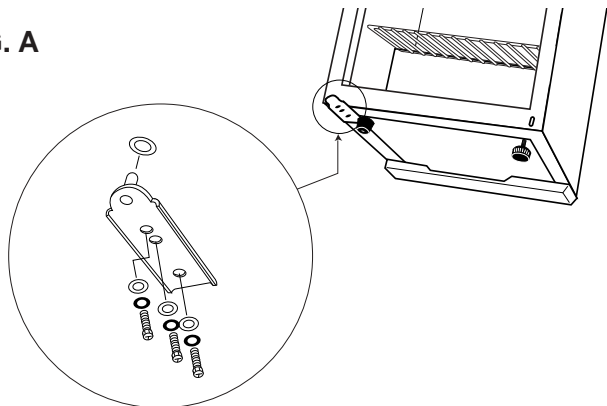
Un refrigerador para vinos vacío es una atracción muy peligrosa para los niños. Saque todas las juntas, pestillos, tapas o la puerta de todo electrodoméstico que no esté en uso, o tome alguna medida para asegurar que no presente peligro.

¡NO ESPERE, HÁGALO AHORA MISMO!

INSTRUCCIONES SPECIALES

Es necesario quitar el soporte de la puerta inferior que se encuentra más bajo a la izquierda de la unidad antes de que Ud. pueda abrir la puerta (Figura A)

FIG. A



INSTRUCCIONES DE INSTALACIÓN

Saque los embalajes exteriores e interiores, limpie bien el exterior con un paño suave seco, y el interior con un paño húmedo y tibio. Evite colocar la caja en un hueco estrecho o cerca de una fuente de calor, luz de sol directa, o lugar húmedo. Deje que el aire circule libremente alrededor de la caja. Mantenga la parte posterior del refrigerador para vinos a 5 pulgadas de la pared.

Ubicación

1. Seleccione un lugar con un piso fuerte y nivelado.
2. Deje cinco pulgadas de espacio entre la parte posterior del refrigerador para vinos y toda pared contigua.
3. Evite la luz directa del sol o calor. La luz directa del sol puede afectar la capa de acrílico. Las fuentes de calor en su proximidad provocarán un consumo mayor de electricidad.

OPERACIÓN

Para apagar el refrigerador para vinos debe desenchufarlo, ya que el panel de control no cuenta con posición de apagado. Cuando no vaya a usar el refrigerador para vinos durante un mucho tiempo, desenchúfelo y deje la puerta entreabierta.

Luz interior

La operación de la luz interior es manual y no se activa al abrir y cerrar la puerta. Para encender la luz, oprima el interruptor ubicado en el panel electrónico de control.

NOTA: El dejar la luz interior encendida durante mucho tiempo eleva la temperatura interior del gabinete.

Descongelación

Su refrigerador para vinos está diseñado con un sistema de descongelación "Auto-Cycle". ¿Qué es la descongelación Auto Cycle? Las superficies refrigeradas del compartimiento de comida fresca se descongelan de forma automática cuando se detiene el ciclo del control de refrigeración (termostato). El agua descongelada de dicho compartimiento se elimina de forma automática por medio de un conducto que desemboca en una bandeja ubicada sobre el compresor. El calor que despiden el compresor hace que el agua descongelada se evapore.

OPREACIÓN DEL CONTROL ELECTRÓNICO;

La pantalla electrónica LED de este refrigerador para vinos está programado para mostrar (de forma independiente) la siguiente información sobre la temperatura (únicamente).

TEMPERATURA INTERIOR DEL GABINETE: Este valor se representa por medio de una indicación "fija" (no titilante) en la pantalla LED y es la configuración (LED) preprogramada normal durante la operación.

CONFIGURACIÓN DE LA TEMPERATURA DE OPERACIÓN: Esta configuración se representa mediante una indicación "titilante" en la pantalla LED y sólo se la puede programar (SET) oprimiendo y soltando las teclas (de temperatura) +/- durante la operación.

NOTA: La temperatura programada sólo se puede ajustar/ programar mientras la pantalla LED está titilando.

CONFIGURACIÓN PREPROGRAMADA: La primera vez que enchufe la unidad a un tomacorriente de 120V/60Hz (y/ o en caso de un corte de energía), la configuración de la temperatura regresa de forma automática a los siguientes valores preprogramados; La configuración preprogramada de la LED para la selección de la temperatura (°F/°C) está en ° F. (Escala Fahrenheit)

CONFIGURACIÓN DE LA TEMPERATURA DE OPERACIÓN:

Para configurar/ cambiar la temperatura de operación;

1. Oprima y suelte una de las teclas +/- (de temperatura).

La pantalla LED mostrará (titilará) durante alrededor de 5 segundos la temperatura programada. (Si no programa/ cambia la temperatura de operación en esos 5 segundos, la pantalla LED vuelve a mostrar de manera automática la temperatura interior (del gabinete).

2. Cada vez que oprima la tecla +/- (mientras la pantalla titile), la temperatura aumentará de a 1° (La temperatura va desde los 43° F / 6° C hasta los 57° F / 14° C)

3. Cada vez que oprima la tecla +/- (mientras la pantalla titile), la temperatura disminuirá de a 1° (La temperatura va desde los 43° F / 6° C hasta los 57° F / 14° C)

La temperatura de operación "titilará" en la pantalla LED durante alrededor de 5 segundos después de haber hecho la selección, y luego volverá a mostrar la temperatura interior (del gabinete).

SELECCIÓN DE LA TEMPERATURA (° F/° C): Esta unidad puede mostrar las temperaturas en escala "Fahrenheit" o "Celsius".

Oprima el panel de selección de temperatura para cambiar entre las escalas ° F/° C. La luz indicadora "azul" ubicada junto al modo correspondiente se encenderá para mostrar la selección.

CUIDADO Y MANTENIMIENTO

Limpieza

Para limpiar el interior, utilice un trapo suave y una solución de una cucharada de sopa de bicarbonato de sodio disuelta en un cuarto de agua, o un jabón o detergente suave. Limpie los estantes voladizos con un trapo húmedo y luego séquelos con un trapo suave. Limpie la superficie exterior con un trapo suave húmedo y algún detergente suave o líquido de limpieza especial.

Período de vacaciones

Para períodos cortos de vacaciones, deje los controles en sus graduaciones corrientes. Durante ausencias más largas;

- saque todos los alimentos,
- desconecte el refrigerador del tomacorriente,
- limpie bien el refrigerador para vinos,
- deje la puerta abierta para evitar la formación de condensación, moho u olores.

Corte de energía

La mayoría de los cortes de energía se solucionan en una o dos horas y no afectan la temperatura interior de su refrigerador. Trate de abrir la puerta lo menos posible mientras no haya energía. Durante los cortes de mayor duración, tome las precauciones necesarias para proteger su vino. Al volver la energía, la temperatura de operación programada se borra por lo que deberá volver a programarla. (Ver configuración de la temperatura de operación)

Si ud. se muda

La mayoría de las fallas de corriente son corregidas dentro de una o dos horas y no afectarán la temperatura interna de su congelador de vinos. Trate y minimize el número de veces que abre la puerta del congelador durante largos periodos de fallas de corriente para proteger sus vinos. Cuando la electricidad se haya reestablecido, el regulador de temperatura debe ser re-programado (Ver Ajuste funcional de temperatura)

Reemplazo de la bombilla de luz

Para reemplazar la bombilla de luz, saque los tornillos que sostienen la cubierta de la bombilla y remueva dicha cubierta. Saque la bombilla de luz y reemplácela.

NOTA: Este electrodoméstico utiliza solo bombillas especiales de 40 vatios (disponibles en la mayoría de las ferreterías locales). La bombilla nueva no debe ser de más de 40 vatios. Vuelva a colocar la cubierta y a ajustar sus tornillos para asegurarla.

Estantes para vinos:

Esta unidad está equipada con los siguientes estantes para vinos:

- * 8 estantes de madera (chatos) 6 botellas de 750ml por estante.
- * 1 estante de madera (no paralelo) 5 botellas de 750ml por estante.
- * 1 estante de madera (escalonado) 6 pares de botellas de 750ml por estante.

Capacidad total: = 65 botellas si se las ubica en hileras simples.
(Ver Fig. 1)

NOTA: Para aumentar la capacidad de almacenamiento de su refrigerador para vinos puede eliminar dos estantes "chatos" y ajustar los cuatro estantes del medio para ubicar sus botellas en hileras dobles.

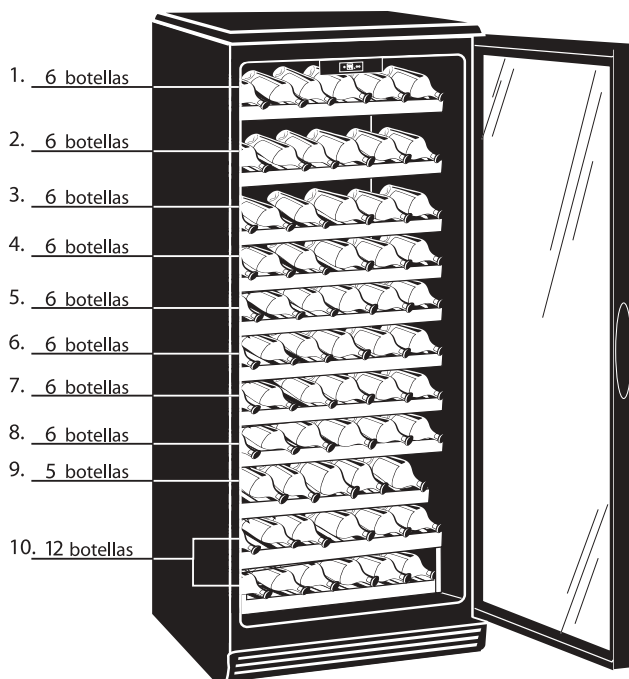
Capacidad total = 75 botellas si se las ubica en hileras dobles.
(Ver Fig. 2)

Temperaturas recomendadas para enfriar vinos

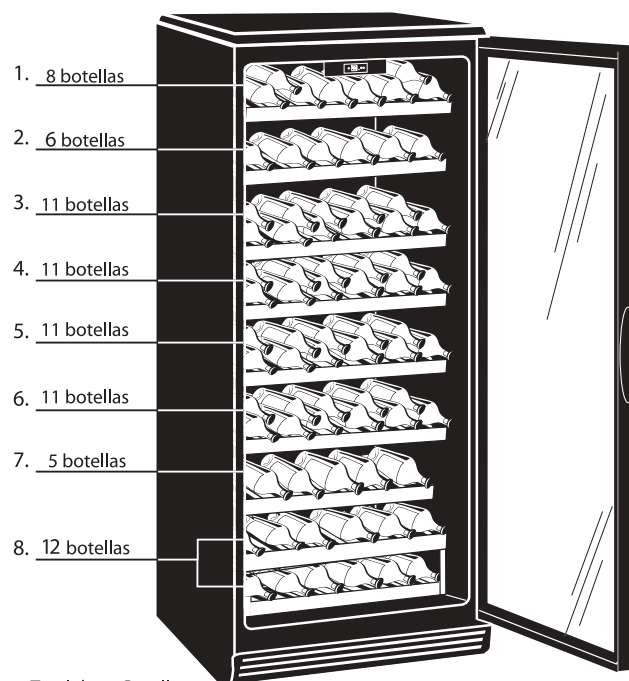
Vinos secos:	9°C / 48.2°F - 14°C / 57.2°F
Vinos rosados:	10°C / 50°F
Vinos tintos:	13°C / 55.4°F - 14°C / 57.2°F
Vinos espumosos:	9°C / 48.2°F

Características técnicas y estructurales del funcionamiento

Una compartimiento interior bonderizado y esmaltado en acrílico de acuerdo a las técnicas más modernas de atomización electrostática. Aislamiento térmico de poliuretano de alta densidad. Junta de cierre magnético para la puerta.

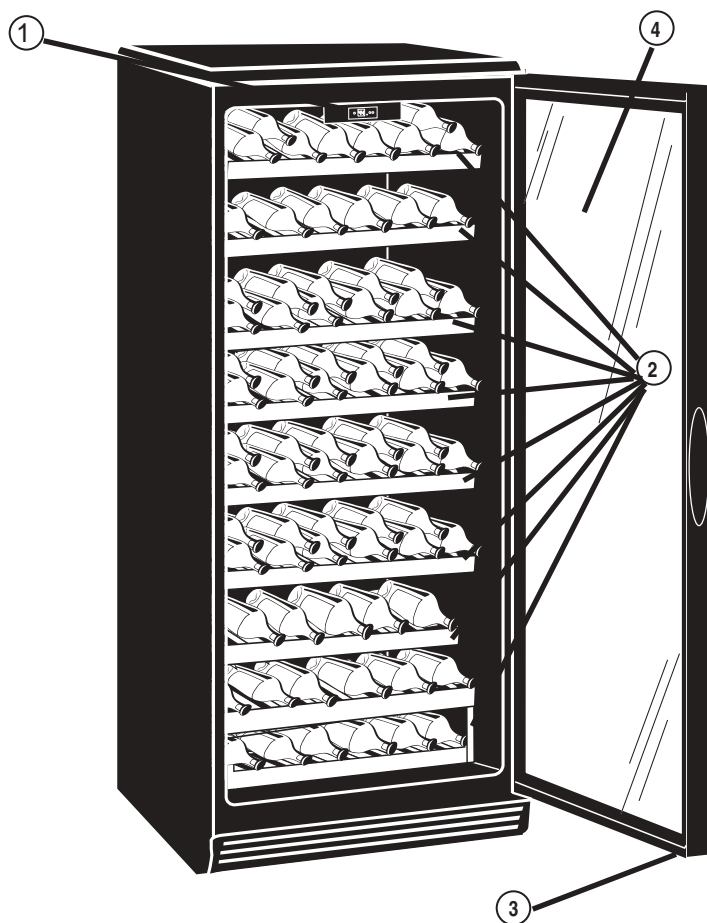


= Total de 65 Botellas
Hilera de almacenamiento simple, usando 10 rejillas

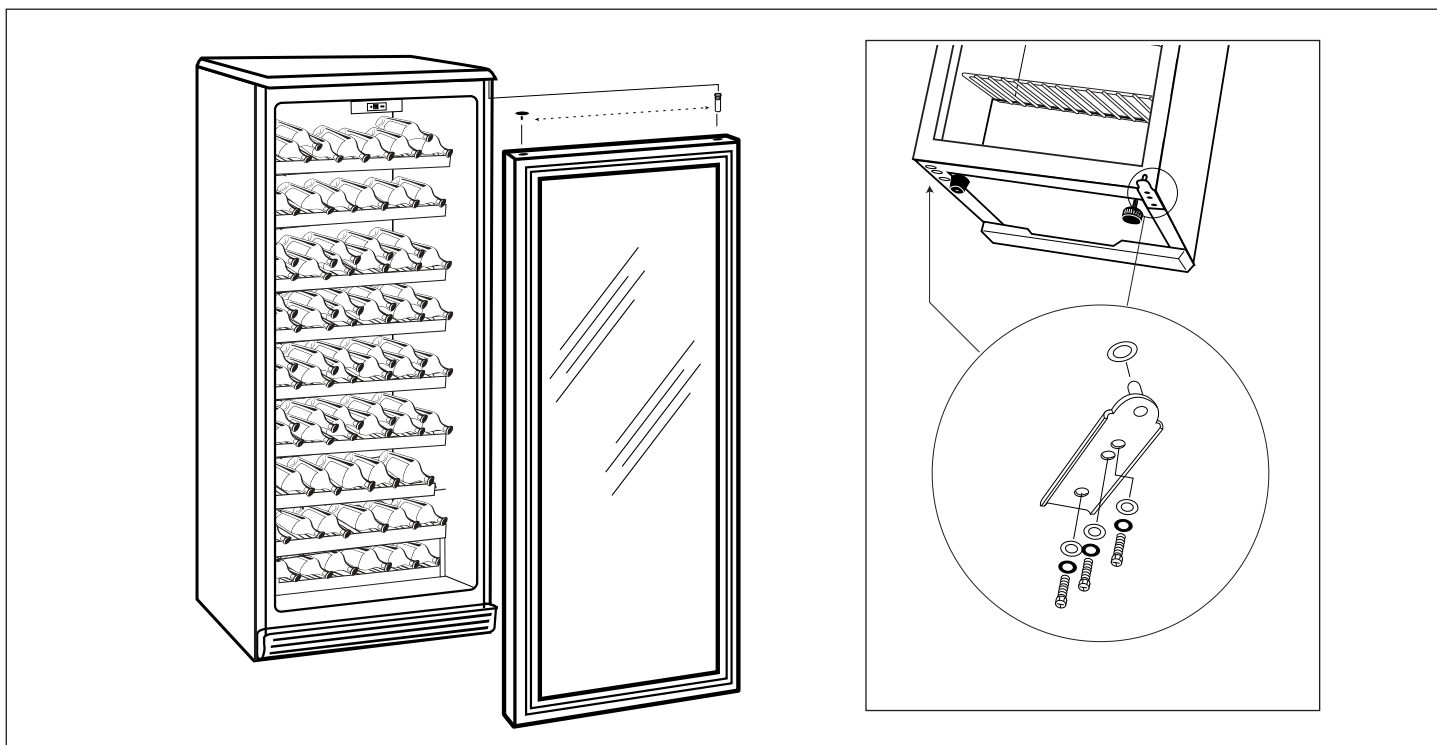


= Total de 75 Botellas
Hilera de almacenamiento simple y doble, usando 8 rejillas

1. **CONTROLES ELECTRÓNICOS DE TEMPERATURA:**
(Controles montados sobre la cara frontal externa) Para controlar la temperatura interior del refrigerador para vinos. Enciende y apaga el motor en cuanto la temperatura supera o es menor al nivel de refrigeración deseado.
2. **ESTANTES REVESTIDOS DE PLÁSTICO DE VIGA VOLADIZA:** Resistentes a los olores, inoxidables y desmontables para una limpieza fácil.
3. **JUNTA MAGNÉTICA:** Un cierre ajustado de la puerta que mantiene toda la potencia de enfriamiento encerrada en el refrigerador. Sin ganchos ni pestillos.
4. **PUERTA DE VIDRIO TEMPLADO Y LUZ INTERIOR:** Permite la visibilidad del compartimiento interior.



INSTRUCCIONES PARA CAMBIAR EL SENTIDO EN QUE SE ABRE LA PUERTA



Danby

Silhouette

Model • Modèle • Modelo
DWC612BLP

For service, contact
your nearest service depot or call:

1-800-26D-anby

to recommend a depot in
your area.

Pour obtenir le service, consultez
votre succursale régionale de
service ou téléphonez:

1-800-26D-anby

qui vous recommandera un
centre régional.

Para servicio, comuníquese con
su departamento de servicios más
cercano o llame al:

1-800-26D-anby

para que le recomienden un
departamento de servicios
en su zona.

WINE COOLER

The model number of your wine cooler is found on the serial plate located on the back, top left-hand corner of the refrigerator.

All repair parts available for purchase or special order when you visit your nearest service depot. To request service and/or the location of the service depot nearest you, call the toll free number listed to the left in Canada and the U.S.

When requesting service or ordering parts, always provide the following information:

- Product Type
- Model Number
- Part Number
- Part Description

REFROIDISSEUR DE VIN

Le numéro de modèle de votre refroidisseur de vin se trouve sur la plaque d'identification qui se trouve sur le coin du haut gauche de l'arrière du réfrigérateur.

Toutes les pièces de rechange sont disponibles immédiatement ou peuvent être commandées de votre Centre de Service régional. Pour obtenir le service et/ou le Centre de Service le plus proche, téléphonez le numéro sans-frais indiqué à gauche pour le Canada et les États-Unis.

Ayez les informations suivantes à la portée de la main lors de la commande de pièces ou service:

- Genre de produit
- Numéro de modèle
- Numéro de pièce
- Description de la pièce

REFRIGERADOR PARA VINOS

El número del modelo de su refrigerador para vinos se encuentra en la placa de serie ubicada en el ángulo posterior superior izquierdo del refrigerador.

Todas las piezas de repuesto se encuentran disponibles para la compra o por pedido especial cuando Ud. visite su departamento de servicio más cercano. Para solicitar servicio y/o la ubicación del departamento de servicio más cercano, llame al número de marcado gratis que aparece a la izquierda en el Canadá y en los E.U.

Cuando solicite servicio o encargue repuestos, siempre proporcione la siguiente información:

- Tipo de producto
- Número de modelo
- Número del repuesto
- Descripción del repuesto

Danby Products Limited, PO Box 1778, Ontario, Canada N1H 6Z9
Danby Products Inc., PO Box 669, Findlay, Ohio, USA 45839-0669

Free Manuals Download Website

<http://myh66.com>

<http://usermanuals.us>

<http://www.somanuals.com>

<http://www.4manuals.cc>

<http://www.manual-lib.com>

<http://www.404manual.com>

<http://www.luxmanual.com>

<http://aubethermostatmanual.com>

Golf course search by state

<http://golfingnear.com>

Email search by domain

<http://emailbydomain.com>

Auto manuals search

<http://auto.somanuals.com>

TV manuals search

<http://tv.somanuals.com>