

Owner's Use and Care Guide  
Guide d'utilisation et soins de  
Propriétaire

**Model • Modèle**  
**DCFM102WSB**

**CAUTION:**  
Read and follow all safety rules and  
operating instructions before first use of this  
product

**PRECAUTION:**  
Veuillez lire attentivement les consignes de  
sécurité et les instructions d'utilisation avant  
l'utilisation initiale de ce produit.

**COMPACT FREEZER**  
**Owner's Use and Care Guide**

- Important Safety Instructions
- Installation Instructions
- Features
- Operation
- Care and Maintenance
- Troubleshooting
- Warranty

..... 1-5

**CONGÉLATEUR COMPACT**  
**Guide d'utilisation et soins de Propriétaire**

- Consignes de Sécurité Importantes
- Instructions d'installation
- Caractéristiques
- Opération
- Soins et Entretien
- Dépannage
- Garantie

..... 6-10

---

# IMPORTANT SAFETY INSTRUCTIONS

---

## ELECTRICAL REQUIREMENTS

This appliance must be grounded. In the event of an electrical short circuit, grounding reduces the risk of electrical shock by providing an escape wire for the electrical current.

This appliance is equipped with a cord having a grounding wire with a grounding plug. The plug must be plugged into an outlet that is properly installed and grounded.

## IMPORTANT WARNING

An empty refrigerator can pose a threat to children. To render the unit harmless we strongly recommend removing the door prior to disposal.

**WARNING** - Improper use of the grounding plug can result in a risk of electric shock. Consult a qualified electrician or serviceman if the grounding instructions are not completely understood, or if doubt exists as to whether the appliance is properly grounded.

## DO NOT USE AN EXTENSION CORD

Use an exclusive wall outlet. Do not connect your refrigerator to extension cords or together with any other appliance in the same wall outlet.

**SAVE THESE INSTRUCTIONS!**

---

# INSTALLATION INSTRUCTIONS

---

Remove exterior and interior packaging, wipe the outside thoroughly with a soft dry cloth and the inside with a wet, lukewarm cloth. Avoid placing the unit in a narrow recess or near any heat source, direct sunlight, or moisture. Let air circulate freely around the unit. Keep the rear of the freezer 5 inches away from the wall.

## Location

- 1) Select a place with a level floor.
- 2) Allow 5 inches of space between the back of the freezer and any adjacent wall.
- 3) Avoid direct sunlight and heat. Direct sunlight

may affect the acrylic coating. Heat sources nearby will cause higher electricity consumption.

- 4) Avoid damp places. Too much moisture in the air will cause frost to form very quickly on the evaporator, and your freezer will have to be defrosted more frequently.

- Select a location with reasonable year-round temperatures. Do not operate freezer when surrounding air temperature is below 0°C (32°F). However, it will not harm your freezer to stand in temperatures below 0°C (32°F) if it is not operating.



---

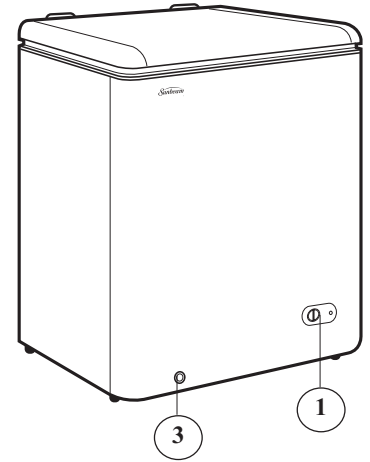
## FEATURES

---

**1) Front Mounted Thermostat:** Easily accessible control knob controls the desired temperature inside the freezer. The proper food storage temperature is  $-18^{\circ}\text{C}$  ( $0^{\circ}\text{F}$ ). The thermostat engages the motor when the temperature rises above the set temperature.

**2) Rust Resistant Interior (not shown):** Aluminum liner for long lasting durability.

**3) Defrost Drain:** For easy removal of melted ice during defrosting. It is recommended that you defrost your freezer once or twice a year.



---

## OPERATION

---

### STARTING THE FREEZER:

- The freezer is ready to operate as received when connected to a properly grounded electrical outlet. After starting, close the lid and allow the freezer to cycle (operate). The unit will run from 1 to 2 hours (possibly longer, depending on surrounding conditions) before operating temperature is reached. The freezer will then start and stop (cycle on/off) at fairly regular intervals. It is recommended that food not be placed in the freezer until you are satisfied that it is operating regularly and no final adjustments are necessary.

- Once your freezer is starting and stopping (cycling) regularly, it is ready to freeze and store food. The proper food storage temperature is  $-18^{\circ}\text{C}$  ( $0^{\circ}\text{F}$ ).

- When adding fresh, unfrozen food packages, store them closest to the walls; the sensing bulb of the thermostat is fastened to the liner wall on the “insulation side” of the freezer.

**NOTE:** In view of the value of the contents of your freezer, it is advisable to inspect contents regularly.

### TEMPERATURE CONTROL:

The control has been set at the factory for proper operating temperature. Should it be necessary to lower or raise the unit temperature, it should be noted that turning the knob to the right (clockwise) will lower the cabinet temperature (cooler). Turning the knob to the left (counter-clockwise) will raise it (warmer). Higher numbers on the thermostat knob indicate colder temperatures.

- If the thermostat is turned to the extreme left, until it “clicks” (OFF position), then the power to the unit is switched off.

- The recommended control setting is the middle position on the control knob.

---

## CARE AND MAINTENANCE

---

### DEFROSTING:

Moisture will be introduced into the liner of your freezer during lid openings and the addition of unfrozen food packages. This moisture will accumulate in the form of frost, mostly on the upper part of the liner walls.

Accumulation of frost up to 6mm (1/4") on the liner is not harmful. However, when it becomes heavier, it should be removed as it slows cooling, resulting in longer running times. Frost may be removed with a wooden spatula or a plastic defrosting scoop, by simply scraping off the accumulation from the side of the freezer walls.

Do not use any sharp instruments as this may result in damage to the liner wall and/or sealed system, voiding any and/or all warranties which may be in effect.

Under average conditions, defrosting will not be necessary more than once or twice a year.

Besides frost, food particles and other foreign substances may accumulate and soil the liner. For proper defrosting and cleaning, the following method is recommended:

- a) Unplug the freezer.
- b) Quickly remove all frozen foods and store them in baskets, cartons, or other suitable containers. Keep them well covered with blankets to avoid excessive temperature rise.
- c) A kettle or pot of hot water placed in the center of the liner will greatly accelerate the defrosting process.
- d) With the help of a wooden spatula or a plastic defrosting scoop, remove the frost and ice off the liner walls as soon as it becomes loose (approximately 15 minutes from start). Using a cloth soaked in hot water can considerably accelerate the process. As soon as ice has fallen to the bottom of the freezer, remove it. Do not let it melt in the freezer as this will increase defrosting and cleaning time.

### CLEANING

To clean your freezer, sprinkle baking soda on the inside bottom and walls; this will help in cleaning and odor removal. In order to retain the finish on the interior and exterior of your freezer, wash only with warm water and mild soap, then rinse and dry with a clean, dry soft cloth. Do not under any circumstances use a gritty soap or a kitchen scouring cleanser, as these tend to scratch the finish.

### VACATION TIME

For short vacation periods, leave the control knob at its normal setting. During longer absences,

- (a) remove all foods.
- (b) disconnect power cord from electrical outlet.
- (c) defrost and clean the freezer thoroughly.
- (d) leave lid open to avoid possible formations of condensate, mold or odors.

### POWER FAILURE

Most power failures are corrected within an hour or two and will not affect your freezer temperatures. However, you should minimize the number of lid openings while the power is off. During power failures of longer duration, take steps to protect your food by placing dry ice on top of packages.

### IF YOU MOVE

Remove or securely fasten down all loose items inside the unit. To avoid damaging the leveling legs, turn them all the way into the base.

### SOME IMPORTANT RULES FOR THE CORRECT USE OF THE FREEZER

- Never place hot foods in the freezer.
- Never place spoiled foods in the unit.
- Don't overload the unit.
- Don't open the lid unless necessary.
- Should the freezer be stored without use for long periods, it is suggested, after a careful cleaning, to leave the lid open to allow the air to circulate inside the unit in order to avoid the possibility of condensation, mold or odors.

# TROUBLESHOOTING

Occasionally, a minor problem may arise, and a service call may not be necessary- use this troubleshooting guide for a possible solution. If the unit continues to operate improperly, call an authorized service depot or the **Toll Free Number** below for assistance.

**Tel:1-866-726-1150**

PROBLEM	POSSIBLE CAUSE	SOLUTION
<b>1) Does not work.</b>	<ul style="list-style-type: none"> <li>• No power to unit.</li> <li>• Power cord is unplugged.</li> <li>• Wrong voltage is being used.</li> </ul>	<ul style="list-style-type: none"> <li>• Check connection of power cord to power source.</li> <li>• Plug in unit.</li> <li>• Use proper voltage.</li> </ul>
<b>2) Freezer runs continuously.</b>	<ul style="list-style-type: none"> <li>• Temperature set too warm.</li> <li>• Lid is not closed.</li> <li>• Hot food inserted.</li> <li>• Lid opened too long or too often.</li> <li>• Close proximity to heat source or direct sunlight.</li> </ul>	<ul style="list-style-type: none"> <li>• Lower temperature control.</li> <li>• Close lid securely.</li> <li>• Be sure food is at room temperature before inserting.</li> <li>• Minimize lid openings/duration.</li> <li>• Do not place unit close to heat sources or direct sunlight.</li> </ul>
<b>3) Internal temperature not cold enough.</b>	<ul style="list-style-type: none"> <li>• No power to unit.</li> <li>• Power cord is unplugged.</li> <li>• Temperature control too low.</li> <li>• Lid is not closed.</li> <li>• Hot food inserted.</li> <li>• Lid opened too long or too often.</li> <li>• Air flow obstruction.</li> <li>• Wrong voltage is being used.</li> <li>• Close proximity to heat source or direct sunlight.</li> </ul>	<ul style="list-style-type: none"> <li>• Check connection of power cord to power source.</li> <li>• Plug in unit.</li> <li>• Check setting and increase as needed.</li> <li>• Close lid securely.</li> <li>• Be sure that food is at room temperature.</li> <li>• Minimize lid openings/duration.</li> <li>• Allow room for air to circulate around unit.</li> <li>• Use proper voltage.</li> <li>• Do not place unit close to heat sources or direct sunlight.</li> </ul>



## LIMITED IN-HOME APPLIANCE WARRANTY

This quality product is warranted to be free from manufacturer's defects in material and workmanship, provided that the unit is used under the normal operating conditions intended by the manufacturer.

This warranty is available only to the person to whom the unit was originally sold by Danby Products Limited (Canada) or Danby Products Inc. (U.S.A.) (hereafter "Danby") or by an authorized distributor of Danby, and is non-transferable.

### TERMS OF WARRANTY

Plastic parts, are warranted for thirty (30) days only from purchase date, with no extensions provided.

*First Year* During the first twelve (12) months, any functional parts of this product found to be defective, will be repaired or replaced, at warrantor's option, at no charge to the ORIGINAL purchaser.

*To obtain Service* Danby reserves the right to limit the boundaries of "In-Home Service" to the proximity of an Authorized Service Depot. Any appliance requiring service outside the limited boundaries of "In-Home Service", it will be the consumer's responsibility to transport the appliance (at their own expense) to the original retailer (point of purchase) or a service depot for repair. See "Boundaries of In-Home Service" below. Contact your dealer from whom your unit was purchased, or contact your nearest authorized Danby service depot, where service must be performed by a qualified service technician.

If service is performed on the units by anyone other than an authorized service depot, or the unit is used for commercial application, all obligations of Danby under this warranty shall be void.

*Boundaries of In-Home Service* If the appliance is installed in a location that is 100 kilometers (62 miles) or more from the nearest service center your unit must be delivered to the nearest authorized Danby Service Depot, as service must only be performed by a technician qualified and certified for warranty service by Danby. Transportation charges to and from the service location are not protected by this warranty and are the responsibility of the purchaser.

Nothing within this warranty shall imply that Danby will be responsible or liable for any spoilage or damage to food or other contents of this appliance, whether due to any defect of the appliance, or its use, whether proper or improper.

### EXCLUSIONS

Save as herein provided, Danby, there are no other warranties, conditions, representations or guarantees, express or implied, made or intended by Danby or its authorized distributors and all other warranties, conditions, representations or guarantees, including any warranties, conditions, representations or guarantees under any Sale of Goods Act or like legislation or statute is hereby expressly excluded. Save as herein provided, Danby shall not be responsible for any damages to persons or property, including the unit itself, howsoever caused or any consequential damages arising from the malfunction of the unit and by the purchase of the unit, the purchaser does hereby agree to indemnify and hold harmless Danby from any claim for damages to persons or property caused by the unit.

### GENERAL PROVISIONS

No warranty or insurance herein contained or set out shall apply when damage or repair is caused by any of the following:

- 1) Power failure.
- 2) Damage in transit or when moving the appliance.
- 3) Improper power supply such as low voltage, defective house wiring or inadequate fuses.
- 4) Accident, alteration, abuse or misuse of the appliance such as inadequate air circulation in the room or abnormal operating conditions (extremely high or low room temperature).
- 5) Use for commercial or industrial purposes (ie. If the appliance is not installed in a domestic residence).
- 6) Fire, water damage, theft, war, riot, hostility, acts of God such as hurricanes, floods etc.
- 7) Service calls resulting in customer education.
- 8) Improper Installation (ie. Building-in of a free standing appliance or using an appliance outdoors that is not approved for outdoor application).

Proof of purchase date will be required for warranty claims; so, please retain bills of sale. In the event warranty service is required, present this document to our AUTHORIZED SERVICE DEPOT.

Danby Products Limited  
Guelph, Ontario, Canada N1H 6Z9  
Telephone: (519) 837-0920 FAX: (519) 837-0449

**1-866-726-1150**

DNB090809

Danby Products Inc.  
Findlay, Ohio, U.S.A. 45840  
Telephone: (419) 425-8627 FAX: (419) 425-8629

---

# CONSIGNES DE SÉCURITÉ IMPORTANTES

---

## CONDITIONS ÉLECTRIQUES

Cet appareil doit être mis à la terre. En cas de court-circuit, la mise à la terre réduit les risques de décharge électrique en fournissant un échappatoire au courant électrique.

L'appareil est muni d'un cordon électrique comprenant un fil de mise à la terre et une fiche de terre. Branchez la fiche dans une prise de courant correctement installée et mise à la terre.

technicien qualifié si vous ne comprenez pas bien les instructions de mise à la terre ou si vous avez un doute quelconque sur la bonne mise à la terre de l'appareil.

## PRÉCAUTION IMPORTANTE

Un réfrigérateur vide peut constituer une menace pour des enfants. Pour rendre l'unité inoffensive nous recommandons vivement d'enlever la porte avant la disposition.

## N'UTILISER JAMAIS DE FIL DE RALLONGE

S'il est possible, brancher le réfrigérateur à son propre circuit. Ainsi, les autres appareils ou la surcharge des lampes du domicile ne peuvent pas surcharger et interrompre le courant électrique. Une connexion desserrée peut se doubler à un autre appareil dans la même prise murale.

**AVERTISSEMENT** - Consultez un électricien ou un

**CONSERVEZ CES INSTRUCTIONS!**

---

# CONSIGNES D'INSTALLATION

---

Enlevez les emballages extérieurs et intérieurs. Essuyez complètement l'extérieur avec un linge doux sec et l'intérieur avec un linge humide tiède. Il ne faut jamais situer l'appareil dans un recoin étroit, proche d'une source d'air chaud. L'air doit circuler à l'entour de l'appareil. Eloigner le congélateur au moins 5 pouces du mur.

## EMPLACEMENT:

1) Choisir une place qui a un placher à niveau.

2) Éloigner l'appareil de 5 pouces des murs arrière et de côté.

3) Éviter les rayons de soleil et la chaleur directs qui peuvent affecter la surface en acrylique. Les sources de chaleur rapprochées augmentent la consommation d'énergie.

4) Éviter les endroits très humides. L'humidité élevée dans l'air occasionne la formation rapide de gèle sur l'évaporateur et le congélateur. Le congélateur devra être dégivré fréquemment.

• Choisissez un endroit où la temp. est modérée tout l'année. Ne pas faire fonctionner le congélateur lorsque l'air environnant est au-dessous de 0°C (32°F). Cependant, si la temp. est au-dessous de 0°C (32°F) le congélateur ne subira aucun dommage tant que le contrôle de temp. n'actionne pas l'unité motrice. Pour raison d'économie d'électricité, ne pas placer le congélateur près d'une source de chaleur ou encore directement au soleil.

---

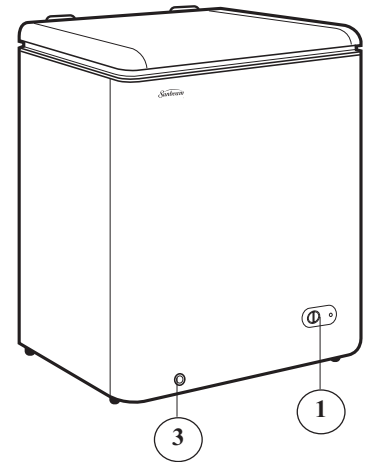
## CARACTERISTIQUES

---

**1) Thermostat Installe au Devant:** Bouton de contrôle facile à trouver règle la temp. à l'intérieur du congélateur. La temp. de conservation est  $-18^{\circ}\text{C}$  ( $0^{\circ}\text{F}$ ). Il met le moteur en marche aussitôt que la temp. s'élève du degré exigé.

**2) Parois Intérieures Anti-Rouille** (non illustré): Parois en aluminium résistant.

**3) Drain D'Écoulement:** Le glace fondue peut être enlevée facilement durant le dégivrage. Il est recommandé que le congélateur soit dégivré une ou deux fois par an.



---

## CONSIGNES DE OPERATION

---

### MISE EN MARCHÉ DU CONGÉLATEUR:

Le congélateur est prêt à opérer dès qu'il a été branché sur une prise de courant électrique. L'unité motrice marchera d'une à deux heures (peut-être plus longtemps, selon les conditions) avant que. Après démarrage, fermez le couvercle et laissez le fonctionner. L'unité motrice marchera de une à deux heures avant que la température d'opération soit atteinte. Elle repartira et s'arrêtera ensuite à des intervalles passablement réguliers. Il est recommandé de ne pas placer d'aliments dans le congélateur tant que vous et votre marchand seront satisfaits du fonctionnement de l'appareil et qu'aucun autre ajustement final ne soit nécessaire.

- Lorsque votre congélateur est en marche et qu'il s'arrête régulièrement, il est prêt à congeler à conserver vos aliments.  $-18^{\circ}\text{C}$  ( $0^{\circ}\text{F}$ ) est une bonne température de stockage.
- Si on ajoute de la nourriture fraîche ou des paquets d'aliments non congelés, il est recommandé de les placer contre les parois. L'élément sensible du thermostat est apposé au mur de la cuve interne du "côté de l'isolation". Du fait de la valeur du contenu de votre congélateur, il est conseillé d'inspecter son contenu et son opération régulièrement.

### CONTRÔLE DE LA TEMPÉRATURE:

Ce contrôle a été préfixé à l'usine pour le maintien d'une température normale. S'il était nécessaire d'abaisser ou d'élever la température du congélateur, notez bien qu'en le tournant vers la droite (sens des aiguilles d'une montre) il abaissera la température du congélateur, et en le tournant vers la gauche il l'élèvera. Les nombres les plus élevés sur le bouton du thermostat indiquent des températures plus froides. Lorsqu'on le tourne vers l'extrême gauche jusqu'à ce qu'il clique (position "off"), cela veut dire que le courant électrique du compresseur est coupé.

- La position recommandé du contrôle est au milieu du bouton de contrôle.



## SOINS ET ENTRETIEN

### DÉGIVRAGE

Le givre imputable à l'air humide entrant dans le congélateur lorsque celui-ci est ouvert et aussi à l'humidité sur les paquets placés dans ce congélateur s'accumulera sur les parois intérieures spécialement sur les parties du haut.

L'accumulation de givre jusqu'à 6 mm (1/4 po.) de pouce n'est pas nuisible. Cependant lorsque le givre devient plus épais il retarde le refroidissement et il en résulte des mises en marche plus longues de l'unité motrice. Le givre peut être enlevé avec une écope de bois ou une spatule de plastique simplement en grattant les accumulations de givre sur les parois. Ne pas utiliser des instruments pointus puisque ceux-ci peuvent endommager les parois et/ou le système scellé. Ceci annulerait partiellement ou complètement toutes les garanties courantes.

Dans des conditions d'utilisation normale il ne sera pas nécessaire de dégivrer plus d'une fois ou deux par an.

En plus du givre, d'autres particules de nourriture et des substances étrangères peuvent aussi s'accumuler et souiller l'intérieur du congélateur. Pour un bon travail de nettoyage et de dégivrage, on recommande la méthode suivante:

**a)** Débrancher le congélateur.

**b)** Enlever rapidement tous les paquets de nourriture congelés et les ranger dans des paniers, des cartons et d'autres contenants disponibles. Conservez-les bien couverts dans des couvertures pour éviter l'élévation de la température.

**c)** Une bouilloire d'eau chaude au fond du congélateur activera grandement le dégivrage.

**d)** Avec l'aide d'une spatule en bois ou tout autre objet semblable, enlevez le givre et la glace des parois du congélateur aussitôt que celle-ci se libère (approximativement 15 minutes du début). En utilisant un chiffon trempé dans de l'eau chaude, le procédé peut être accéléré considérablement. Aussitôt que la glace est tombée au fond, l'enlever. Ne la laissez pas fondre dans le congélateur puisque augment la durée du dégivrage et de nettoyage.

### NETTOYAGE

Les parois sont maintenant prêtes à nettoyer. Saupoudrez du bicarbonate de soude sur le fond et parois. Ceci aide au nettoyage et à enlever les odeurs. Afin de ne pas abîmer le fini de l'extérieur et l'intérieur du boîtier, lavez-les seulement à l'eau tiède et savon doux. Rincez et séchez. Il ne faut jamais utiliser de savon abrasif ou de récurant de cuisine car ils peuvent abîmer le fini.

### PENDANT LES VACANCES

Si vous prenez une vacance de courte durée, laissez le bouton de commande à son réglage normal. Si l'absence doit durer longtemps,

**(a)** enlever tous les aliments.

**(b)** débranchez l'appareil de la prise murale.

**(c)** Nettoyez le congélateur complètement.

**(d)** Laisser la couvercle ouverte pour éviter les mauvais odeurs.

### PANNE D'ÉLECTRICITÉ

La plupart des pannes d'électricité sont corrigées dans un délai d'une heure et n'ont pas d'effets sur la température du congélateur. Il est nécessaire de réduire le nombre d'ouverture de la couvercle pendant une panne. Pendant les pannes qui durent plus qu'une heure, protéger vos aliments en déposant un bloc de glace sèche par-dessus les emballages. Si la glace n'est pas disponible, essayer d'utiliser temporairement de l'espace de votre entrepôt à froid régional.

### DÉMÉNAGEMENT

Enlever ou immobiliser toutes les pièces amovibles (*c'-à-d: les clayettes*) à l'intérieur du congélateur. Serrer les vis à nivellement à la base afin de ne pas les endommager

### IMPORTANTES CONSIGNES DE SÉCURITÉ POUR L'UTILISATION DU CONGÉLATEUR

- Ne jamais ranger d'aliments chauds dans le réfrigérateur.

- Ne jamais surchargé l'appareil.

- Ouvrir la couvercle seulement si nécessaire.

- Pour un rangement prolongé de l'appareil, il est suggère de laver l'appareil, de laisser la porte ouverte afin de fournir une circulation d'air à l'intérieur du meuble et d'éviter le développement de condensation, de moisie et d'odeurs.

# DÉPANNAGE

De temps en temps, un problème est mineur et un appel de service peut ne pas être nécessaire. Utilisez ce guide de dépannage pour trouver une solution possible. Si l'unité continue de fonctionner incorrectement, appelez un dépôt de service autorisé ou le **numéro sans frais** pour obtenir de l'assistance.

**Tel: 1-866-726-1150**

PROBLEME	CAUSE PROBABLE	SOLUTION
<b>1) Ne fonctionne pas.</b>	<ul style="list-style-type: none"><li>• Pas de tension à l'unité.</li><li>• Le cordon d'alimentation est débranché.</li><li>• Le mauvais voltage est utilisé.</li></ul>	<ul style="list-style-type: none"><li>• Vérifiez la connexion du cordon d'alimentation.</li><li>• Branchez l'appareil.</li><li>• Utilisez le voltage approprié.</li></ul>
<b>2) Le congélateur fonctionne sans arrêt.</b>	<ul style="list-style-type: none"><li>• La température est réglage trop haut.</li><li>• La couvercle n'est pas fermée.</li><li>• De la nourriture chaude a été insérée.</li><li>• La couvercle est ouverte trop souvent/longtemps.</li><li>• Proximité d'une source de chaleur ou source de soleil.</li></ul>	<ul style="list-style-type: none"><li>• Baissez le contrôle de température.</li><li>• Fermez la couvercle.</li><li>• Assurez-vous que la nourriture est frais avant de la placer dans l'appareil.</li><li>• Minimisez l'ouverture de la couvercle.</li><li>• Ne placez pas l'appareil près d'une ou exposition directe aux rayons du chaleur/du soleil.</li></ul>
<b>3) La température interne n'est pas assez froide.</b>	<ul style="list-style-type: none"><li>• Pas de tension à l'unité.</li><li>• Le cordon d'alimentation est débranché.</li><li>• Le contrôle de la température est trop bas.</li><li>• La couvercle n'est pas fermée.</li><li>• La nourriture est chaude.</li><li>• La pcouvercle est ouverte trop souvent/longtemps.</li><li>• Obstruction de la circulation de l'air.</li><li>• Le mauvais voltage est utilisé.</li><li>• Proximité d'une source de chaleur ou exposition directe aux rayons du soleil.</li></ul>	<ul style="list-style-type: none"><li>• Vérifiez la connexion du cordon d'alimentation.</li><li>• Branchez l'appareil.</li><li>• Vérifiez le réglage et augmentez-le au besoin.</li><li>• Fermez la couvercle.</li><li>• Assurez-vous que la nourriture est frais avant de la placer dans l'appareil.</li><li>• Minimisez l'ouverture de la couvercle.</li><li>• Laissez l'air circuler dans la pièce autour de l'appareil.</li><li>• Utilisez le voltage approprié.</li><li>• Ne placez pas l'appareil près d'une ou exposition directe aux rayons du chaleur/du soleil.</li></ul>



## GARANTIE LIMITÉE SUR APPAREIL ÉLECTROMÉNAGER À DOMICILE

Cet appareil de qualité est garanti exempt de tout vice de matière première et de fabrication, s'il est utilisé dans les conditions normales recommandées par le fabricant.

Cette garantie n'est offerte qu'à l'acheteur initial de l'appareil vendu par Danby Products Limited (Canada) ou Danby Products Inc. (E.- U. d'A) (ci-après "Danby") ou par l'un des ses distributeurs agréés et elle ne peut être transférée.

### CONDITIONS

Les pièces en plastique sont garanties pour trente (30) jours seulement à partir de la date de l'achat, sans aucune prolongation prévue.

*Première 12 mois* Pendant les douze (12) mois, toutes pièces fonctionnelles de ce produit s'avèrent défectueuses, seront réparées ou remplacées, selon le choix du garant, sans frais à l'acheteur INITIAL.

*Pour bénéficier du Service* Le client sera responsable pour le transport et tous les frais d'expédition de tout appareil exigeant le service au dépôt de service autorisé le plus proche. S'adresser au détaillant qui a vendu l'appareil, ou à la station technique agréée de service la plus proche, où les réparations doivent être effectuées par un technicien qualifié. Si les réparations sont effectuées par quiconque autre que la station de service agréée ou à des fins commerciales, toutes les obligations de Danby en vertu de cette garantie seront annulées.

*Limites de l'entretien à domicile* Si l'appareil est installé à plus de 100 kilomètres (62 milles) du centre de service le plus proche, il doit être livré à l'atelier de réparation autorisé par Danby le plus proche, car l'entretien doit uniquement être réalisé par un technicien qualifié et certifié pour effectuer un entretien couvert par la garantie de Danby. Les frais de transport entre votre domicile et le lieu de l'entretien ne sont pas couverts par la présente garantie et doivent être acquittés par l'acheteur.

Cette garantie indique en aucun temps la responsabilité de Danby de l'avarie ou dommage de la vin ou autre contenu, soit par les vices de l'appareil, ou soit par l'utilisation convenable ou inexacte.

### EXCLUSIONS

En vertu de la présente, il n'existe aucune autre garantie, condition ou représentation, qu'elle soit exprimée ou tacite, de façon manifeste ou intentionnelle, par Danby ou ses distributeurs agréés. De même, sont exclues toutes les autres garanties, conditions ou représentations, y compris les garanties, conditions ou représentations en vertu de toute loi régissant la vente de produits ou de toute autre législation ou règlement semblables.

En vertu de la présente, Danby ne peut être tenue responsable en cas de blessures corporelles ou des dégâts matériels, y compris à l'appareil, quelle qu'en soit les causes. Danby ne peut pas être tenue responsable des dommages indirects dus au fonctionnement défectueux de l'appareil. En achetant l'appareil, l'acheteur accepte de mettre à couvert et de dégager Danby de toute responsabilité en cas de réclamation pour toute blessure corporelle ou tout dégât matériel causé par cet appareil.

### CONDITIONS GÉNÉRALES

La garantie ou assurance ci-dessus ne s'applique pas si les dégâts ou réparations sont dus aux cas suivants:

- 1) Panne de courant.
- 2) Dommages subis pendant le transport ou le déplacement de l'appareil.
- 3) Alimentation électrique incorrecte (tension faible, câblage défectueux, fusibles incorrects).
- 4) Accident, modification, emploi abusif ou incorrect de l'appareil tel qu'une circulation d'air inadéquate dans la pièce ou des conditions de fonctionnement anormales (température extrêmement élevée ou basse).
- 5) Utilisation dans un but commercial ou industriel (à savoir, si l'appareil n'est pas installé dans un domicile résidentiel).
- 6) Incendie, dommages causés par l'eau, vol, guerre, émeute, hostilités, cas de force majeure (ouragan, inondation, etc.).
- 7) Visites d'un technicien pour expliquer le fonctionnement de l'appareil au propriétaire.
- 8) Installation inappropriée (par exemple, encastrement d'un appareil autoportant, ou utilisation extérieure d'un appareil non conçu à cet effet).

Une preuve d'achat doit être présentée pour toute demande de réparation sous garantie. Prière de garder le reçu. Pour faire honorer la garantie, présenter ce document à la station technique agréée ou s'adresser à:

Danby Products Limited  
Guelph, Ontario, Canada N1H 6Z9  
Telephone: (519) 837-0920 FAX: (519) 837-0449

**1-866-726-1150**

DNB090809

Danby Products Inc.  
Findlay, Ohio, U.S.A. 45840  
Telephone: (419) 425-8627 FAX: (419) 425-8629



**Model • Modèle  
DCFM102WSB**

For service, contact your nearest service depot or call:  
**1-866-726-1150**  
to recommend a depot in your area.

Pour obtenir le service, consultez votre succursale régionale de service ou téléphonez:  
**1-866-726-1150**  
qui vous recommandera un centre régional.

#### **COMPACT CHEST FREEZER**

The model number of your freezer is found on the serial plate located on the back, top left-hand corner of the unit.

All repair parts are available for purchase or special order when you visit your nearest service depot. To request service and/or the location of the service depot nearest you, call the toll free number listed to the left in Canada and the U.S.

When requesting service or ordering parts, always provide the following information:

- **Product Type**
- **Model Number**

#### **CONGÉLATEUR HORIZONTAL COMPACT**

Le numéro de modèle de votre congélateur se trouve sur la plaque d'identification qui se trouve sur le coin du haut gauche de l'arrière de l'appareil.

Toutes les pièces de rechange sont disponibles immédiatement ou peuvent être commandées de votre Centre de Service régional. Pour obtenir le service et/ou le Centre de Service le plus proche, téléphonez le numéro sans-frais indiqué à gauche pour le Canada et les États-Unis.

Ayez les informations suivantes à la portée de la main lors de la commande de pièces ou service:

- **Genre de produit**
- **Numéro de modèle**

Sunbeam<sup>®</sup> is a registered trademark of Sunbeam Products, Inc. used under license.  
Sunbeam<sup>®</sup> est une marque déposée de Sunbeam Products, Inc. utilisée sous licence.

Danby Products Limited, Ontario, Canada N1H 6Z9  
Danby Products Inc., Findlay, Ohio, USA 45840

## Free Manuals Download Website

<http://myh66.com>

<http://usermanuals.us>

<http://www.somanuals.com>

<http://www.4manuals.cc>

<http://www.manual-lib.com>

<http://www.404manual.com>

<http://www.luxmanual.com>

<http://aubethermostatmanual.com>

Golf course search by state

<http://golfingnear.com>

Email search by domain

<http://emailbydomain.com>

Auto manuals search

<http://auto.somanuals.com>

TV manuals search

<http://tv.somanuals.com>