



**OWNER'S MANUAL**

**MANUEL  
D'UTILISATION**

**MANUAL DEL  
PROPIETARIO**

Model • Modèle • Modelo  
**DMW902W**

**CAUTION:**

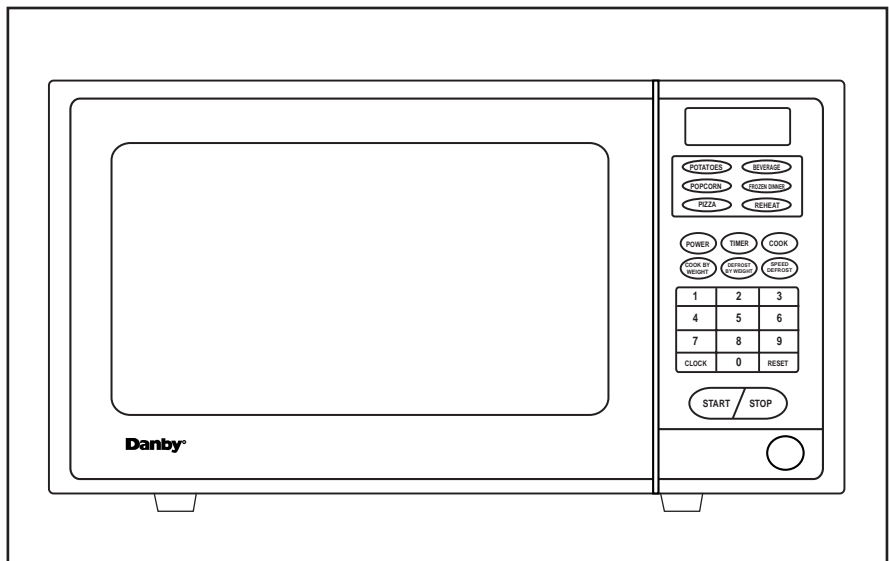
Read and follow all safety rules and operating instructions before first use of this product.

**PRÉCAUTION:**

Veuillez lire attentivement les consignes de sécurité et les instructions d'utilisation avant l'utilisation initiale de ce produit.

**PRECAUCIÓN:**

Lea y observe todas las reglas de seguridad y las instrucciones de operación antes de usar este producto por primera vez.



**Danby® 0.9 cu. ft. Microwave Oven**

Owners Manual .....1-16

**Danby® 0.9 pi³ Four à micro-ondes**

Manuel d'utilisation .....17-32

**Danby® 0.9 pies cúbicos  
Horno micro ondas**

Manual del propietario ..... 33-48

## FEDERAL COMMUNICATIONS COMMISSION RADIO FREQUENCY INTERFERENCE STATEMENT (U.S.A. ONLY)

This equipment generates and uses ISM frequency and if not installed and used properly, that is in strict accordance with the manufacturer's instructions, may cause interference to radio and television reception. It has been type-tested and found to comply with limits for an ISM Equipment pursuant to part 18 of FCC Rules, which are designed to provide reasonable protection against such interference in a residential installation.

However, there is no guarantee that interference will not occur in particular installations. If this equipment does cause interference to radio or television reception, which can be determined by turning the equipment off and on, the user is encouraged to try to correct the interference by one or more of the following:

- Reorient the receiving antenna of radio or television.
- Relocate the microwave oven with respect to the receiver.
- Move the microwave oven away from the receiver.
- Plug the microwave into a different outlet so that microwave and receiver are on different branch circuits.

The Manufacturer is not responsible for any radio or TV interference caused by UNAUTHORIZED MODIFICATION to this microwave oven. It is the responsibility of the user to correct such interference.

## COMMISSION FÉDÉRALE DES COMMUNICATIONS ÉNONCÉ À PROPOS DES INTERFÉRENCES DE RADIOFRÉQUENCE (É.-U.d'A. SEULEMENT)

Cet équipement produit et utilise de l'énergie de fréquence ISM. Si son installation et utilisation n'est pas selon les instructions du fabricant, l'équipement peut occasionner de l'interférence à la réception des ondes de radio et de télévision. L'équipement a été éprouvé et satisfait les limites des équipements ISM conformément à la section 18 des règlements de la CFC conçus afin de fournir de la protection raisonnable contre toute interférence dans les installations résidentielles.

Cependant, cette installation n'est pas garantie exempt de tout vice d'interférence. Si cet équipement occasionne de l'interférence à la diffusion d'ondes de radio ou de télévision, qui peut être constaté en allumant ou éteignant l'appareil, l'utilisateur est encouragé de corriger l'interférence en essayant l'une ou l'autre des méthodes suivantes:

- Réorientez l'antenne de réception de radio ou de télévision.
- Déplacez le four à micro-ondes en rapport au récepteur.
- Déplacez le four à micro-ondes à un endroit plus éloigné du récepteur.
- Branchez le four à micro-ondes dans une prise de courant différente pour qu'il soit sur un circuit différent de celui du récepteur.

Toutes interférences à la radiofréquence ou à la fréquence de la télévision occasionnées par la MODIFICATION NON AUTORISÉE à ce four à micro-ondes ne sont pas la responsabilité du FABRICANT. L'utilisateur est responsable des corrections de cette interférence.

## "FEDERAL COMMUNICATIONS COMMISSION RADIO FREQUENCY INTERFERENCE STATEMENT" - DECLARACIÓN SOBRE INTERFERENCIA DE FRECUENCIAS DE RADIOCOMUNICACIONES DEL COMITÉ FEDERAL DE COMUNICACIONES (E.U.A. SOLAMENTE)

Este aparato genera y usa frecuencias ISM y si no se instala y se usa correctamente, es decir, cumpliendo rigurosamente las instrucciones del fabricante, puede causar interferencia a la recepción de radio y televisión. Este aparato ha pasado las pruebas para su tipo y se ha encontrado que cumplen con los límites para equipos ISM según la sección 18 de las Reglas de la FCC, que se han diseñado para proporcionar una protección razonable contra tal tipo de interferencia en instalaciones residenciales.

Sin embargo, no se puede garantizar que no ocurran interferencias en ciertas instalaciones. Si este aparato causa interferencia en la recepción de radio o televisión, lo cual se puede determinar encendiendo y apagando el aparato, se recomienda que el usuario trate de corregir tal interferencia por medio de uno de los siguientes métodos:

- Cambiar la dirección de la antena de recepción de radio o televisión.
- Cambiar la ubicación del horno de microondas con respecto al receptor.
- Mover el horno de microondas lejos del receptor.
- Enchufar el horno de microondas en un tomacorriente diferente para que el microondas y el receptor estén conectados a diferentes circuitos de ramificación.

El Fabricante no se hace responsable de interferencia alguna de radio o televisión causada por MODIFICACIONES NO AUTORIZADAS efectuadas en este horno de microondas. El usuario tiene la responsabilidad de corregir tales interferencias.

## TABLE OF CONTENTS

Precautions to Avoid Possible Exposure to Excessive Microwave Energy .....	.2
IMPORTANT SAFETY INSTRUCTIONS .....	.2
Grounding Instructions .....	.3
Utensils Guide .....	.4
Microwave Cooking Principles .....	.4
SPECIFICATIONS .....	.5
BEFORE YOU CALL FOR SERVICE .....	.5
Part Names .....	.5
Control Panel .....	.6
Operating INSTRUCTIONS .....	.7
1 SETTING THE CLOCK .....	.7
2 SETTING THE OVEN TIMER .....	.8
3 SETTING THE COOKING TIME & POWER LEVEL .....	.8
4 SETTING " SPEED DEFROST " .....	.9
5 SETTING "COOK BY WEIGHT " .....	.10
6 SETTING "DEFROST BY WEIGHT " .....	.11
7 SETTING "SAFETY LOCK" .....	.12
ABOUT "ONE TOUCH" COOKING .....	.12
SETTING "POPCORN" .....	.12
SETTING "BAKED POTATO" .....	.13
SETTING "PIZZA" .....	.13
SETTING "BEVERAGE" .....	.13
SETTING "FROZEN DINNER" .....	.14
SETTING "REHEAT" .....	.14
CLEANING AND CARE .....	.15
WARRANTY .....	.16

## INTRODUCTION

Thank you for purchasing a Danby Microwave Oven. This Owner's Manual will provide you with valuable information necessary for the proper care and maintenance of your new appliance. If properly maintained, your Danby appliance will give you many years of trouble free operation. Please take a few moments and read the instructions thoroughly and familiarize yourself with all of the operational aspects of this appliance.

For easy reference, may we suggest you attach a copy of your sales slip/receipt to this page, along with the following information which is located on the manufacturers nameplate located on the rear panel of the unit.

Model Number: \_\_\_\_\_

Serial Number: \_\_\_\_\_

Date of Purchase: \_\_\_\_\_

Dealer's Name and Address: \_\_\_\_\_

This information will be required if your unit requires servicing and/or for general inquiries. To contact a Customer Service Representative, call Danby TOLL FREE.

**1-800-26- Danby®**

Keep these instructions for future reference.

## PRECAUTIONS TO AVOID POSSIBLE EXPOSURE TO EXCESSIVE MICROWAVE ENERGY

- a) **DO NOT** attempt to operate this oven with the door open since open-door operation can result in harmful exposure to microwave energy. It is important not to defeat or tamper with the safety interlocks.
- b) **DO NOT** place any object between the oven front face and the door or allow soil or cleaner residue to accumulate on sealing surfaces.
- c) **DO NOT** operate the oven if it is damaged. It is particularly important that the oven door close properly and that there is no damage to the;
  - 1) Door (bent)
  - 2) Hinges and latches (broken or loosened)
  - 3) Door seals and sealing surfaces.
- d) The oven should not be adjusted or repaired by anyone except properly qualified service personnel.

## IMPORTANT SAFETY INSTRUCTIONS

When using electrical appliances, basic safety precautions should be followed, including the following:

**WARNING-**To reduce the risk of burns, electric shock, fire, injury to persons or exposure to excessive microwave energy:

1. Read all instructions before using the appliance.
2. Read and follow the specific "precautions to avoid possible exposure to excessive microwave energy" above.
3. The oven must be placed on a countertop which is a minimum of 920mm(36 inches) from the floor. For correct operation, the oven must have sufficient air flow. Allow 20cm (7.8") of space above the oven, 10cm (4") at back and 5cm (2") at both sides.  
Do not cover or block any openings on the appliance. Do not remove feet.
4. This appliance must be grounded. Connected only to properly grounded outlet. See "grounding instructions " on page 2.
5. Some products such as whole eggs and sealed containers, for example, closed glass jars may explode and should not be heated in this oven.
6. Use this appliance only for its intended use as described in this manual. Do not use corrosive chemicals or vapors in this appliance. This type of oven is specifically designed to heat, cook or dry food. It is not designed for industrial or laboratory use.
7. As with any appliance, close supervision is necessary when used by children.
8. To reduce the risk of fire in the oven cavity:
  - a. Do not overcook food. Carefully attend appliance if paper, plastic or other combustible materials are placed inside the oven to facilitate cooking.
  - b. Remove wire twist-ties from paper or plastic bags before placing bag in oven.
  - c. If materials inside the oven should ignite, keep oven door closed, turn oven off, and disconnect the power cord or shut off power at the fuse or circuit breaker panel.
  - d. Do not use the cavity for storage purposes. Do not leave paper products, cooking utensils or food in the cavity when not in use.
9. Microwave heating of beverages can result in delayed eruptive boiling, therefore care has to be taken when handling the container.
10. Do not deep fry food in the microwave. It is difficult to control the fat which could cause a fire hazard.
11. Pierce foods with heavy skins such as potatoes, whole squash, apples and chestnuts before cooking.
12. The contents of feeding bottles and baby jar (foods) should be stirred or shaken and the temperature should be checked before serving in order to avoid burns.

## IMPORTANT SAFETY INSTRUCTIONS

13. Cooking utensils may become hot because of heat transferred from the heated food. Potholders may be needed to handle the utensil.
14. Do not cover or block any openings on the appliance.
15. Do not store or use this appliance outdoors. Do not use this product near water, for example, near a kitchen sink, in a wet basement, or near a swimming pool, and the like.
16. Do not operate this appliance if it has a damaged cord or a plug, if it is not working properly or if it has been damaged or dropped.
17. Do not immerse cord or plug in water. Keep cord away from heated surface. Do not let cord hang over edge of table or counter.
18. Use only thermometers which are specifically designed for use in microwave ovens.
19. Do not operate any heating or cooking appliance beneath this appliance.
20. Be certain the glass tray and roller ring are in place when you operate the oven.
21. **WARNING:** It is hazardous for anyone other than a trained person to carry out any service or repair operation which involves the removal of any cover which gives protection against exposure to microwave energy.

## GROUNDING INSTRUCTIONS

This appliance must be grounded. In the event of an electrical short circuit, grounding reduces risk of electric shock by providing an escape wire for the electric current.

**WARNING:** Improper use of the grounding plug can result in a risk of electric shock.

### Electrical Requirements

The electrical requirements are a 120 volt 60 Hz, AC only, 15 amp. It is recommended that a separate circuit serving only the oven be provided. The oven is equipped with a 3-prong grounding plug. It must be plugged into a wall receptacle that is properly installed and grounded. A short power-supply cord is provided to reduce risk of becoming entangled in or tripping over a long cord.

### Extension Cord

If it is necessary to use an extension cord, use only a 3-wire extension cord that has a 3 blade grounding plug and a 3-slot receptacle that will accept the plug on the microwave oven.

**Notes: 1.** If you have any questions about the grounding or electrical instructions, consult a qualified electrician or service person.

**Notes: 2.** Neither Danby nor the dealer can accept any liability for damage to the oven or personal injury resulting from failure to observe proper electrical connection procedures.

### Radio or TV Interference

Should there be any interference caused by the microwave oven to your radio or TV, check that the microwave oven is on a different circuit, relocate the radio or TV as far away from the oven as possible or check position and signal of receiving antenna.

## UTENSILS GUIDE

1. The ideal material for a microwave utensil is transparent to microwaves, it should allow energy to pass through the container and heat the food.
2. Microwaves cannot penetrate metal, so metal utensils or dishes with metallic trim should not be used.
3. Do not use recycled paper products when microwave cooking, as they may contain small metal fragments which may cause sparks and/or fires .
4. A round dish is preferable to oval or rectangular dishes, because food cooked in corners allow more exposure to microwaves. Over cooking at corners may occur.

The list below is a general guide to help you select the correct utensils.

<u>Cookware</u>	<u>Microwave Cooking</u>
Heat-Resistant Glass	Yes
Non Heat-Resistant Glass	No
Heat-Resistant Ceramics	Yes
Microwave-Safe Plastic Dish	Yes
Kitchen Paper	Yes
Metal Tray	No
Metal Rack	No
Aluminum Foil & Foil Containers	Yes

## MICROWAVE COOKING PRINCIPLES

The speed and evenness of microwave cooking is affected by the foods themselves. Microwaves penetrate foods to a depth of 1.8 to 3.8 cm (3/4 to 1 1/2 inches) on all surfaces. The interior of foods greater than 5 cm (2 inches) in diameter heats by conduction. Food with high water, fat or sugar content respond quickly to microwave energy.

**Quantity.** Microwave cooking times are directly related to the amount of food in the oven because energy is absorbed by the food itself.

**Size.** Small pieces cook faster than large ones. To speed cooking, cut pieces smaller than 5 cm(2 inches), so microwave can penetrate to the center from all sides. For even cooking, make all the pieces the same size.

**Shape.** Foods irregular in shape, like fish or chicken breasts, take longer to cook in the thicker parts. To help them cook evenly, place the thickest parts to the outside of the dish, where they will receive more energy.

**Starting temperature.** Frozen or refrigerated food takes longer to heat than food at room temperature.

**Moisture Content.** Microwaves are attracted by moisture. Naturally moist foods microwave better than dry ones. Add a minimum of liquid to moist foods, as excess water slows cooking.

Prick foods with skins like those on potatoes or squash, so internal steam can escape.

**Fat and Bone.** Marbling within meat, or a thin, even layer of fat on a roast, speeds cooking.

Large fatty areas or excess drippings in dish attract energy away from meat to slow cooking.

Center bones do not affect cooking, but bone on the side of meat conducts heat to the areas next to it.

**Density.** The depth to which microwaves penetrate foods varies depending on their density.

Porous foods, like ground beef or mashed potatoes, microwave faster than dense ones like steak or whole potatoes.

## SPECIFICATIONS

Power Consumption:	120V~60Hz, 1500W
Output:	900W
Operation Frequency:	2450MHz
Outside Dimensions:	12"(H)X20" (W)X15 7/16"(D) or 305mm(H)X508mm(W)X390mm(D)
Oven Cavity Dimensions:	8 7/16" (H)X13 3/4"(W)X13"(D) or 215mm(H)X350mm(W)X330mm(D)
Oven Capacity:	0.9 cu.ft.
Cooking Uniformity:	Turntable System (12 3/8" /314mm)
Net Weight:	Approx.34.4lbs. /15.6kg

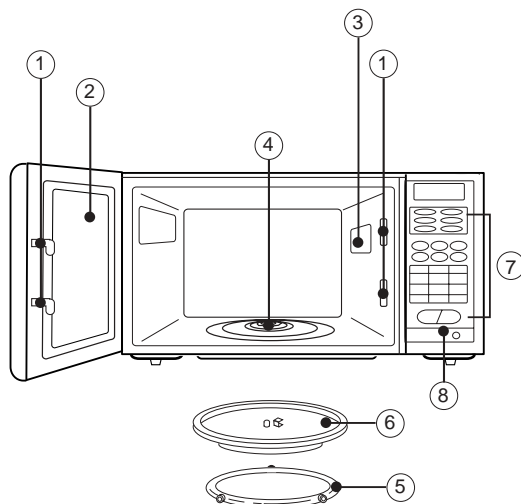
## BEFORE YOU CALL FOR SERVICE

If the oven fails to operate:

- A) Check to ensure that the oven is plugged in securely. If it is not, remove the plug from the outlet, wait 10 seconds and plug it in again securely.
- B) Check for a blown circuit fuse or a tripped main circuit breaker. If these seem to be operating properly, test the outlet with another appliance.
- C) Check to ensure that the control panel is programmed correctly and the timer is set.
- D) Check to ensure that the door is securely closed engaging the door safety lock system. Otherwise, the microwave energy will not flow into the oven.

IF NONE OF THE ABOVE RECTIFY THE SITUATION, THEN CONTACT A QUALIFIED TECHNICIAN. DO NOT TRY TO ADJUST OR REPAIR THE OVEN YOURSELF.

## PART NAMES



- 1. Door Safety Lock System
- 2. Oven Window
- 3. Microwave outlet vent
- 4. Turntable-Shaft
- 5. Roller Ring
- 6. Glass Tray
- 7. Control Panel
- 8. Door Release Button

## CONTROL PANEL

### DISPLAY

When set, displays clock/timer, shows cooking function(COOK, DEFROST, etc.) and step-by-step word prompts(which tell you which pad to touch) for easy oven setting.

### BAKED POTATOES

Automatic program designed for best microwaving potatoes. For small potatoes (4-6 oz.) touch once, touch AMOUNT (1 to 4) then START. For large potatoes(8-10 oz.) tap pad twice, touch AMOUNT (1 to 4) then START.

### POPCORN PAD

Automatic one-step setting for a 1/2- 3 oz. bag of microwave popcorn. Touch POPCORN pad, then START. See pages on "POPCORN" to reset control for packages of different ounce weight.

### PIZZA PAD

Automatic program designed for pizza. Touch once then touch START for reheating 1 slice; tap pad twice, then START for frozen whole microwave pizza.

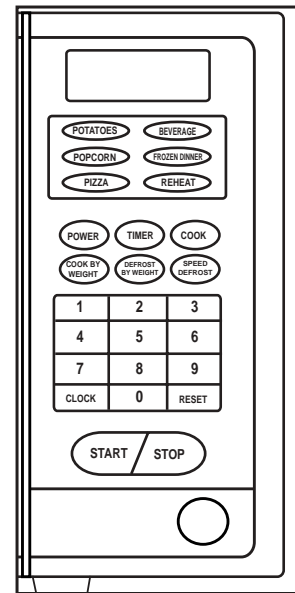
### BEVERAGE PAD

Automatic setting for cups or mugs of hot beverages (tea/coffee). For cup size (5-7 oz.), touch pad once, touch AMOUNT(1-4) then START. For larger mugs (8-11oz.), tap pad twice, touch AMOUNT (1-4) then START.

### REHEAT PAD

Automatically programs oven to heat a plate of food evenly. Touch REHEAT pad then START.

(Also see following pages for more detail.)



### FROZEN DINNER PAD

Automatic program designed for best reconstituting a variety of frozen single-serving entrees and dinners. For smaller single serving entree(7-9 oz.) touch once, touch AMOUNT then START. For a single larger(TV dinner type) frozen dinner(10-12 oz.) tap pad twice then START.

### NUMBER PADS

Touch to set cook, speed defrost, timer and clock.



#### POWER PAD

Oven automatically cooks at high power. For a lower power level, set cook time, touch POWER and enter number (1-9) for lower power level.

#### TIMER PAD

Independent kitchen timer. Set any time even while oven is operating. Touch TIMER pad, set time then START. Touch RESET to cancel.

#### COOK PAD

Cook at one power level for a period of time, then automatically switch to another power level for the remaining cook time.

#### COOK BY WEIGHT

Touch COOK pad, enter weight of meat accurately, then START. After partial cooking, oven stops, leaving time on display. Turn over meat when oven stops after partial cooking. Re-touch START to finish.

#### DEFROST BY WEIGHT

Automatic defrosting for large meats. Controls power level to thaw without excessive outside warming.

#### SPEED DEFROST

Automatically programs lower power levels for even defrosting. Touch SPEED DEFROST, set time and START.

#### CLOCK

Touch pad once, touch number pads and START to set clock.

#### RESET

Touch to clear display of unused time after cooking, also cancel timer.

#### START/STOP PAD

Touch as final step in setting oven. Touch to stop microwaving while oven is in operation (re-touch to continue timing shown on display). Will not stop timer.

## OPERATING INSTRUCTIONS

### 1. SETTING THE CLOCK

#### A. Setting the clock when the oven is plugged in.

- When the oven is first plugged into a wall outlet, touch the CLOCK pad once, the display will show "ENTER CLOCK TIME".
- Enter the correct time of day by touching the correct number pads. You must set at least 3 digits (one for hour(s) and two for minutes). For minute less than 10, precede the "minutes" digit by a 0. Example: for 5 minutes past 2, set 2:05. The colon will flash between hour and minute digits. If you prefer not to have the clock displayed, set the clock for 00:00 and the display will only show a colon.
- Touch START/STOP to lock in the time. Colon will stop flashing and clock will begin to keep current time. After clock has been set, the word prompt clock will always show on the display unless oven is in a cooking operation.

#### B. Changing the clock time.

- Touch the CLOCK pad once, the display will show "ENTER CLOCK TIME"
- Enter the correct time of day by touching the correct number pads. You must set at least 3 digits (one for hour(s) and two for minutes). For minute less than 10, precede the "minutes" digit by a 0. Example: for 5 minutes past 2, set 2:05. The colon will flash between hour and minute digits. If you prefer to not have the clock displayed, set the clock for 00:00 and the display will only show a colon.
- Touch START/STOP to lock in the time. Colon will stop flashing and clock will begin to keep current time. After clock has been set, the word prompt clock and time of day will always show on the display unless oven is in a cooking operation.

### C. Notes on setting the clock.

- IF YOU MAKE A MISTAKE in setting the correct time, start oven by pressing the CLOCK pad twice.
- TO RECALL TIME OF DAY WHILE YOU ARE COOKING, press the CLOCK pad. Time of the day will be displayed for 3 seconds before returning to displaying the counting down of the cooking time.
- IN CASE OF POWER FAILURE, when the power has been restored, the control will be in a clock set mode. Follow the directions for setting the clock.
- BEEPS DURING OVEN SETTING ONE BEEP: Oven accepts the entry. Information has been entered in the correct sequence. TWO BEEPS: Oven does not accept the entry. Check and try again.

## 2. SETTING THE OVEN TIMER

A. Timer works independently of cooking and can be set anytime for various kitchen tasks. Use oven timer even though oven is also timing a microwave cooking function. Set time as follows:

- Touch the TIMER pad. Word prompts ENTER TIMER TIME show on the display. if you are using the TIMER while cooking in the oven : Cooking time countdown will be temporarily replaced on the display while timer is being set.
- Enter the amount of time you wish to set by touching the correct number pads. Digit time is in minutes and seconds and set left to right. Set one digit (a 5 for 5 seconds) or up to four digits(2405 for 24 minutes, 5 seconds). ENTER TIMER remains on the display.
- Touch START/STOP pad. Word prompt TIMER starts flashing and timer begins counting down. If you are using the TIMER while cooking in the oven : TIMER starts flashing and timer countdown can be seen on display for 3 seconds before cooking time is returned to display. Word prompt TIMER is displayed alone with additional word prompt indicating current cooking mode.

### B. Notes on setting the oven timer.

- TO STOP OR RESET TIMER when cooking is not taking place, touch RESET pad.
- WHEN SETTING TIMER DURING A COOKING OPERATION take care to set timer correctly. Once the timer is set during cooking, setting cannot be changed without resetting the cooking function at the same time. Touching RESET will not allow you to change timer setting while cooking.
- When end of time has been reached, one long beep can be heard and timer will leave the display. If oven is not cooking, CLOCK and time of day (if set) will return to the display. If oven is in cooking operation, one long beep can be heard and TIMER will leave display while oven is continuing cooking time countdown.

## 3. SETTING THE COOKING TIME & POWER LEVEL

### A. QUICK & EASY

When cooking at 100% power, simply set cook time by touching number pads( for example, 3 minutes: touch 3-0-0) and START. 100% power is automatically set. For 1-step cooking, you do not have to touch COOK pad before setting time.

### B TO COOK AT LOWER POWER LEVELS

After setting cook time, touch POWER pad then single digit representing the power level desired. Touch START pad. Since oven automatically assumes 100% power, you must switch power level (when desired) after setting cook time.

#### USE THESE SINGLE DIGITS TO REPRESENT POWER LEVELS

Digit	% of Power
9	90%
8	80%
7	70%
6	60%
5	50%
4	40%
3	30%
2	20%
1	10%

If you are cooking at a lower power level and wish to return to 100% power, press the POWER pad twice.

### C. TWO- STAGE COOKING

Two-stage cook function lets you cook a food at two different power levels with one time setting. For example, rice should be cooked in two stages. Stage 1 starts rice at 100% power for 5 minutes; stage 2 completes cooking 10-12 minutes at 50% power level.

#### SET STAGE 1:

Assuming 100% power, just touch number pad illustrated in "Quick and Easy" setting above for correct first stage time. (Most 2 stage recipes start with 100% power but you can also switch power levels after setting cook time.)

DO NOT TOUCH START PAD.

#### SET STAGE 2:

Touch COOK pad then enter proper cooking time and (lower) power level. (Most 2-stage recipes use lower power for second stage.) Touch START pad. First stage of cooking begins.

MEM (memory) word prompt shows on the display during Stage 1 Cooking, indicating that the oven is "remembering" that a second step (stage 2) has been programmed. After Stage 1 time has elapsed, two beeps may be heard, signaling the beginning of Stage 2.

AFTER TOTAL TIME HAS ELAPSED, 4 long beeps sound and END appears in display. Touch RESET pad or open oven door to clear END before starting another cooking function.

#### THESE ARE NORMAL:

- Outside of oven may feel warm. Steam may escape from oven or moisture in oven may be seen after cooking
- Change in interior light intensity, and change in blower sound when lower power setting are used.
- TV or radio interference (similar to interference experienced in other small appliances) may be noticed. This does not indicate a problem.

### 4. SETTING "SPEED DEFROST"

A. Speed Defrost automatically sets microwave oven power for quickest thawing of small to medium size foods. Speed Defrost works in conjunction with the Timer, so you must know how much time to set. Speed Defrost thawing times are usually fast enough that you stay close to oven and can attend to the food as it is defrosting. Many foods benefit from being turned over, rearranged or broken apart (if separate pieces are frozen together.) This attention makes defrosting faster and more even. "How do I know whether to set Speed Defrost or Defrost by Weight ?"

This is determined by the type of food being defrosted and amount of attention that must be paid to the food. The automatic-coded Defrost by Weight program is specifically designed for large, dense meat roasts which must thaw slowly for even defrosting. Defrost by Weight requires only turn -over of the meat.

- Touch SPEED DEFROST pad. Word prompts ENTER DEF TIME shows on the display.
  - Enter desired Speed Defrost time by touching correct number pads. Digital timer sets minutes and seconds from left to right so a single digit can be set (5 for 5 seconds ) or up to 4 digits (2405 for 24 minutes 5 seconds). ENTER DEF remains on the display. Touch START/STOP pad. DEF flashes on the display and defrost time begins counting down. AFTER TIME HAS ELAPSED four long beeps sound and END appears in display. Touch RESET pad or open door to clear END before starting another cooking function.
- B. To set "SPEED DEFROST" and one or two-stage cooking sequentially. After setting SPEED DEFROST, oven can be programmed to automatically switch to One or Two-Stage cook. This feature is useful for frozen, moist casseroles and similar foods which can be stirred while reconstituting. After defrosting, cook at 100% power level, then reduce to lower settings until bubbling hot. Stir occasionally to break up and redistribute heat.

- For Defrost and One Stage Cook, follow steps above. Before touching START pad, touch COOK pad, enter time using number pads and power if desired. Then touch START pad. MEM shows on the display until oven switches ( beeps twice) to COOK. See page 9 for detailed information on Staged Cooking.
- For Defrost and Two Stage Cook, follow steps above. Before touching START pad, enter two COOK programs, using a different (usually lower) power for the second COOK. MEM shows on the display during both Defrost and first COOK stage. Oven beeps twice when switching stages.

INTERRUPT DEFROSTING (to stir food, turn it over, or provide other attention). Either touch START/STOP pad or open the oven door. Unelapsed time will show on display; reclose the door and restart to continue. Or if no additional defrosting is required, touching RESET pad clears the display

#### 5.SETTING "COOK BY WEIGHT"

This feature is for roasting meats in the microwave. Its pre-set times and power levels give better results than microwaving at one power only, and it is easier to microwave meat with this setting than with cookbook instructions because you do not have to calculate "minutes per pound" cooking times. As soon as you enter the code (which tells the oven the type of meat) and the weight, the oven calculates cooking time.

Meat must be defrosted and at refrigerated temperature to correspond with the pre-set times in this code.

Meat-roast weights in about the 3 to 5 pound range microwave best, COOK BY WEIGHT code allows a setting lower than 3 lb. but no higher than 5 lb. Depending on code , two beeps signal an error in setting a too-high weight.

"Cook by Weight" programs the oven to stop after partial cooking, so meat won't overcook on one side. Turn meat over, then touch START pad to continue cooking.

- Touch COOK BY WEIGHT pad. Word prompt shows ENTER CODE on display.
- Select desired code from 1 through 3. Door frame (open the door to review ) and chart at right describe types of food for each code.
- Enter the one-digit code by touching the correct number pad.
- Check weight of meat . Weight must be in pounds and ounces. If label gives weight in pounds only, change the fraction of a pound to ounces using chart on page 11.
- Enter weight. Word prompt ENTER shows in display and 0's show where LB and OZ should be entered. LB flashes until you enter pound(s) by touching correct number pad. When pound(s) has been entered, LB will stop flashing and OZ will flash. As soon as all these digits have been set, display will immediately show cook time. Ounce weights less than 10 must be preceded by a 0. As soon as three digits are set, display immediately shows cook time.
- Touch START/STOP to start oven, CODE flashes in display as time counts down. Interior light goes on and fan sound is heard. Oven beeps once after about 1/4 time. If necessary, check thin edges of meat and poultry for shielding.
- After partial cooking, oven beeps twice and stops. Interior light goes off but time remains on the display. Stop is to prevent meat's overcooking on one side before turning over. After turning meat over, touch START pad to resume the time on display and finish cooking.
- After total cooking time, 4 long beeps sound and END appears in display. Touch RESET or open oven door to clear END before starting another cooking function. Let roast stand few minutes before carving.

When oven switches power levels, you may observe change in lighting intensity and/or change in blower sound. This is normal.

"COOK BY WEIGHT" CODE DESCRIPTIONS

Code	Roast Type	Internal Temperature After Standing	Maximum Recommended Weight
1	Beef Roast	Rare-140 deg.	5lb.
2	Beef and Lamb	Medium-160 deg.	5lb.
3	Pork	Well done-170 deg	5lb.

CONVERTING FRACTIONS OF A POUND TO OUNCES

Most meat packages show weight in pounds only. Convert fractions of a pound to ounces for COOK BY WEIGHT feature by using chart below.

FRACTION OF A POUND	OUNCES
Less than .03	0
.03 to .09	1
.10 to .15	2
.16 to .21	3
.22 to .27	4
.28 to .34	5
.35 to .40	6
.41 to .46	7
.47 to .53	8
.54 to .59	9
.60 to .65	10
.66 to .71	11
.72 to .78	12
.79 to .84	13
.85 to .90	14
.91 to .97	15
Above .97	Go to next even

6. Setting "defrost by weight"

Set DEFROST BY WEIGHT for any weight up to 6 pounds. Because it is a more gentle defrost setting than "Speed Defrost", it is especially good for meats which are dense in the center but vulnerable to overcooking on the edges. For meats as small as a pound of hamburger or delicate shrimp, choosing DEFROST BY WEIGHT will give more even thawed results than SPEED DEFROST setting. Choose DEFROST BY WEIGHT for large meat roasts.

- Check weight of meat. It must be in pounds and ounces. If label gives weight in pounds only, you can change the fraction of a pound to ounces using chart on page 11. Unwrap meat before defrosting . Touch DEFROST BY WEIGHT pad. Word prompt ENTER shows in display and 0's show where LB and OZ should be entered. LB flashes until you enter pound(s) by touching correct number pad. When pound(s) has been entered, LB will stop flashing and OZ will flash. As soon as all these digits have been set, display will immediately show cook time. Ounce weights less than 10 must be preceded by a 0. As soon as three digits are set, display immediately shows cook time.

- Touch START/STOP pad to start oven. CODE flashes in display as time counts down. Interior light goes on, turntable rotates and fan sound is heard.
- After partial defrosting, oven beeps twice and stops. Interior light goes off but time remains on the display. This pause in operation is to allow turning over, rearranging or shield. After attending to meat appropriately, touch START to resume the time on display and finish cooking. After total cooking time, 4 long beeps sound and END appears in display. Touch RESET or open oven door to clear END before starting another cooking function.

Notes:

- Allow enough time for defrosting because it is more slow and gradual than SPEED DEFROST. With DEFROST BY WEIGHT, low power microwaving is interspersed within "resting" and "standing" periods where no microwaves at all enter the oven. These no-microwave periods allow meat to equalize in temperature before next period of microwaving automatically comes on.
- "DEFROST BY WEIGHT" automatically sets the correct thawing time, but you must enter the food weight accurately. Weight must be in pounds and ounces. Place meat on microwave-safe rack in microwave roasting dish. Place meats fat-side down and poultry breast-side down.

## 7.SETTING "SAFETY LOCK"

The safety lock prevents unsupervised operation by little children. During idle mode, press and hold the RESET pad for 3 seconds to activate the child lock function. To cancel the child lock, press and hold the RESET pad for 3 seconds again in idle mode.

### ABOUT " ONE TOUCH" COOKING

Your oven has 6 "ONE TOUCH" cooking programs for microwaving popular foods. When selecting a " ONE TOUCH " setting, check visual guide on pad for correct setting. Where dots (·) (··) are shown on a "ONE TOUCH" pad, more than one size of food can be cooked.

Three "ONE TOUCH" settings allow you to cook several amounts (one or more items) of the same food. These include the "FROZEN ENTREE", "BAKED POTATO" and "BEVERAGE". After you touch these pads, AMT(amount) appears on the display as a reminder to program the number of items you are microwaving into the oven's control.

The categories which have dots corresponding to two sizes of foods include:" FROZEN ENTREE", " BAKED POTATO", " PIZZA" AND " BEVERAGE".

In each "ONE TOUCH COOK" category, smaller size food is set by touching pad once. One dot (·) below picture of smaller-size food signifies one touch of the pad. The large size can be set by tapping the picture pad twice. Two dots(··) below the picture of large size food signifies two taps of the pad. Where AMT appears with "ONE TOUCH" settings, setting a greater number of items than allowed will result in two beeps, signaling an error. The following pages give the maximum number of items allowed for each setting.

### SETTING "POPCORN"

The "POPCORN" control automatically sets the correct COOK time for a 3 to 3 1/2 oz. bag of microwave popcorn.

YOU CAN CHANGE THE POPCORN SETTING TO "REMEMBER" A DIFFERENT

COOK TIME. You may wish to do this if your favorite size of popcorn is something other than 3 to 3 1/2 oz. Sizes from the individual 2 oz. size up to the larger "family size" packages are now available. If you do change the popcorn setting, however, the oven will continue to select the new setting each time you touch the POPCORN pad until you reset it again.

TO AVOID DISCOLORATION ON YOUR OVEN TURNTABLE, set microwave popcorn packages on a microwaveable saucer or other small plate. The " this side down" side of microwave popcorn bags contains a heat-absorbing lining which gets very hot. Placing a saucer between the bag and the turntable prevents the bag's dyes from staining the turntable when hot.

### TIPS TO KNOW ABOUT MICROWAVE

POPCORN: Check popcorn as it pops and stop when pops slow down to 3 seconds apart. Do not try to re-pop unpopped kernels. Unless you have a microwave recommended utensil for popping corn, use only commercial bags of microwave popcorn. Using glass or ceramic dishes or paper bags may cause harm to oven. Be careful when handling hot bags of popcorn. To prevent steam burns, keep hands to sides of package, rather than the top. Especially warn children of high heat in popcorn bags.

- 1.Touch POPCORN pad, COOK appears on the display, along with time setting of 2:15 ( 2 min. 15 sec.) . This pre-set cook time has been coordinated with the oven's wattage for best results of a regular-size 3 to 3 1/2 oz. bag of popcorn.
- 2.Touch START pad. Word prompt COOK flashes while the timer counts down during cooking operation. Interior light goes on and fan sound is heard. Turntable rotates. ( For single popcorn bag, leaving turntable on gives best cooking results.)

3.To reset POPCORN time: Tap POPCORN pad twice. ENTER TIME appears on display. Touch number pads to enter minutes and seconds. Touch START pad. This new cook time will remain whenever you use the POPCORN pad until you reset it.

#### SETTING " BAKED POTATO"

The "POTATO" automatic setting allows you to easily set the microwave to cook a variety of potatoes. A built-in standing time helps equalize the potatoes' temperature during the microwave process. Touch once for small to average ( 4 to 6 oz.) potatoes. Tap twice for the hefty 8 to 10 oz. dinner size. After you select the size of potato ( by touching once for small-medium or tapping twice for large), you must set the amount - the number of potatoes you are cooking. With the POTATO pad, you can cook up to 4 potatoes of either size.

- 1.For 4 to 6 oz. potatoes, touch POTATO pad once. ENTER AMT appears on display. Enter number of potatoes ( up to 4) by touching number pads from 1 to 4. Cook times for small-medium potatoes are as follows:
  - 1 potato: 3 min. 20 sec.
  - 2 potatoes: 6 min. 20 sec.
  - 3 potatoes: 9 min. 20 sec.
  - 4 potatoes: 12 min. 20 sec.
- 2.For large 8 to 10 oz. potatoes, tap POTATO pad twice. ENTER AMT appears on display. Enter number of potatoes ( up to 4) by touching number pads from 1 to 4. Cook times for large potatoes are as follows:
  - 1 potato: 5 min. 00 sec.
  - 2 potatoes: 9 min. 00 sec.
  - 3 potatoes: 13 min. 00 sec.
  - 4 potatoes: 17 min. 00 sec.
- 3.CODE and the correct amount of cook time depending on amount (number) of potatoes, appears on display. Touch START pad. CODE flashes on display and time begins to count down.

#### SETTING "PIZZA "

With the automatic PIZZA pad you can reheat single serving of leftover cooked pizza or a whole frozen microwave pizza. The amount depends on how you set the pad. For a thick slice ( or two thin ones-about 4 or 5 ounces total ) of reheated pizza, touch the PIZZA pad once. For a whole frozen microwave pizza, tap the PIZZA pad twice. Dots by the pictures of two kinds of pizza designate whether to touch once ( for the reheated slice ) or tap twice ( for the whole frozen pizza).

- 1.REHEATING A SLICE ( OR TWO THIN ONES) OF LEFTOVER PIZZA: Touch PIZZA pad once. CODE and 1:00 ( 1:00) appears.
- 2.HEATING A WHOLE FROZEN MICROWAVE PIZZA : Tap PIZZA pad twice. CODE and 5:00 ( 5 min. 00 sec.) appears.
- 3.Touch START. CODE flashes on display and cook time begins to count down.

#### SETTING " BEVERAGE "

The BEVERAGE pad is automatically programmed to let you microwave cups of beverages (tea/coffee) in two sizes. For small "coffee cup" servings, touch the BEVERAGE pad once. One dot by the picture of a coffee cup designates one touch of the pad. With large coffee mugs, tap the BEVERAGE pad twice. Two dots by the picture of coffee mug on the BEVERAGE pad designates touching the BEVERAGE pad twice. After you have selected the coffee cup size, you must set amount of cups to be microwaved. If you skip the AMOUNT step, the oven assumes 1 cup.

- 1.For 5 to 7 oz. coffee cups, touch BEVERAGE pad once. ENTER AMT (amount) appears on display. Enter number of cups (up to 4) by touching number pads from 1 to 4. Cook times for coffee cups are as follows:
  - 1 cup : 1 min. 10 sec. (1:10)
  - 2 cups: 2 min. 10 sec. (2:10)
  - 3 cups: 3 min. 10 sec. (3:10)
  - 4 cups: 4 min. 10 sec. (4:10)

2. For the larger 10 to 12 oz. coffee mugs, tap BEVERAGE pad twice. ENTER AMT (amount) appears on display. Enter number of mugs (up to 4) by touching number pads from 1 to 4. Cook times for coffee mugs are as follows:

- 1 mug: 2 min (2:00)
- 2 mugs: 3 min 30 sec. (3:30)
- 3 mugs: 5 min (5:00)
- 4 mugs: 6 min 30 Sec. (6:30)

3. CODE and the correct amount of cook time (depending on amount of cups or mugs) appears on display. Touch START. CODE flashes on display and time begins to count down.

#### SETTING " FROZEN DINNER"

This automatic setting is very useful for easily microwaving your favorite single-serving entrees and dinners. This setting may take slightly longer than the microwave time given on the package. That's because of the built-in standing time included in the oven's automatic program. The program's specially designed sequence of power levels plus the automatic standing time allows one setting to microwave a great variety of frozen foods.

1. MICROWAVING 1 OR 2 SMALL SIZE FROZEN DINNERS: Touch FROZEN DINNER pad once. ENTER AMT (amount) appears on the display. You can skip the amount step for 1 entree, just touch START. For 2 entrees, touch the "2" number pad. Cook times for small-size entrees are as follows:

- 1 entree: 4 min. 35 sec.
- 2 entrees: 8 min. 15 sec.

2. MICROWAVING ONE LARGER 10~12 oz. FROZEN PLATED DINNER: Tap FROZEN DINNER pad twice. This sets the oven's automatic cooking program for 9:00 ( 9 minutes ) cook time.

3. CODE and correct amount of cook time appears on display. Touch START pad. CODE flashes on display and time begins to count down.

NOTE: With FROZEN DINNER setting, AMT appears only when you touch once for small ( 7~9 oz.) entrees; choose 1 or 2 entrees. Tapping FROZEN DINNER twice automatically sets cooking time for a single larger ( 10 ~12 oz.) package.

#### SETTING " REHEAT"

This setting lets you reheat a dinner plateful of chilled leftovers with good results. Its automatic program has been designed to tolerate a large variety of food combinations when arranged together. Remember some of the following tips when preparing foods to reheat on the REHEAT setting.

How you arrange foods on the plate affects how evenly they cook. Consider the amount and density of each food.

DENSE FOODS SUCH AS MEATS ( large or bulky pieces or thick slices of precooked meats ) AND COMPACT VEGETABLE such as mashed potatoes or potatoes au gratin should be placed around edges of plate and spread out as much as possible to expose them to microwave energy.

LARGE AMOUNT OF FOODS should be spread out to receive more microwave energy than smaller amounts. Covering dry meat slices with sauce or gravy also helps speed their heating.

LIGHT, AIRY FOODS such as rice, small pieces of vegetables, delicate seafood, small chicken nuggets, or small amounts of food absorb microwaves quickly. Place these in the center of the plate where they will be somewhat shielded by foods on the outside edges.

TEMPERATURE OF FOODS determine how evenly they cook together. A can of freshly-opened vegetables( food is at room temperature) will probably heat more quickly than foods which are started from the refrigerator.

DELICATE DINNER ROLLS, if desired, should be added only the last few seconds. COVER plate with wax paper to hold steam around most foods. Exception: Do not cover to warm rare meats and foods with crisp exteriors.

1. Touch REHEAT pad. CODE appears on the display and 3:15 ( 3 min 15 sec ) is set. This coded setting includes three automatic cooking levels which allow for even cooking of many food combinations and types.
2. Touch START pad. CODE flashes on display and cooking time begins counting down.
3. When cook time has elapsed , END appears on display. Open oven door or touch RESET pad to return clock time ( if set ) to display.



## CLEANING AND CARE

1. Turn off the oven and remove the power plug from the wall socket before cleaning.
2. Keep the inside of the oven clean. When food splatters or spilled liquids adhere to oven walls, wipe with a damp cloth. Mild detergent may be used if the oven gets very dirty. Avoid the use of spray and other harsh cleaners as they may stain, streak or dull the door surface.
3. The outside surfaces should be cleaned with a damp cloth. To prevent damage to the operating parts inside the oven, water should not be allowed to seep into the ventilation openings.
4. Wipe the window on both sides with a damp cloth to remove any spills or splatters.
5. Do not allow the control panel to become wet. Clean with a soft, damp cloth. When cleaning the control panel, leave oven door open to prevent oven from accidentally turning on.
6. If steam accumulates inside or around the outside of the oven door, wipe with a soft cloth. This may occur when the microwave oven is operated under high humidity conditions, this is normal.
7. It is occasionally necessary to remove the glass tray for cleaning. Wash the tray in warm sudsy water or in a dishwasher.
8. The roller ring and oven floor should be cleaned regularly to avoid excessive noise. Simply wipe the bottom surface of the oven with mild detergent. The roller ring may be washed in mild sudsy water or dishwasher. When removing the roller ring from cavity floor for cleaning, be sure to replace in the proper position.
9. Remove odors from your oven by combining a cup of water with the juice and skin of one lemon in a deep bowl, microwave for 5 minutes. Wipe thoroughly and dry with a soft cloth.
10. When it becomes necessary to replace the oven light, please consult a dealer to have it replaced.

# Danby®

## LIMITED PRODUCT WARRANTY

### MICROWAVE OVENS

This quality product is warranted to be free from manufacturer's defects in material and workmanship, provided that the unit is used under the normal operating conditions intended by the manufacturer.

This warranty is available only to the person to whom the unit was originally sold by Danby or by an authorized distributor of Danby, and is non-transferable.

#### TERMS OF WARRANTY

The limited warranty period listed below is based upon the selection of brand name of the product purchased.

Any electrical parts of this product found to be defective will be repaired or replaced, including labour, at warrantor's option for the ORIGINAL purchaser, covering service listed below per product selection. Consumable parts (ie. light bulbs, glass, porcelain) are limited to a 90 day warranty period.

**Select your brand name microwave oven, listed below, to determine your product warranty coverage.**

BRAND NAME	Danby (Carry-In Service)
Parts	Twelve (12) months
Labour	Twelve (12) months
Extended Magnetron Parts Replacement (No Labour)	Sixty-five (65) months

For all appliances which are covered under our carry-in service warranty, it is the consumer's responsibility to deliver the unit to our authorized service depot. Any and all transportation charges incurred are the responsibility of the consumer and are not included within this warranty.

**TO OBTAIN SERVICE:** Contact your dealer from whom your unit was purchased, or contact your nearest authorized Danby service depot, where service must be performed by a qualified service technician. If service is performed on the units by anyone other than an authorized service depot, or the unit is used for commercial application, all obligations of Danby under this warranty shall be at an end.

#### EXCLUSIONS

Save as herein provided, Danby Products Limited (Canada) or Danby Products Inc. (U.S.A.), there are no other warranties, conditions, representations or guarantees, express or implied, made or intended by Danby Products Limited (Canada) or Danby Products Inc. (U.S.A.) or its authorized distributors and all other warranties, conditions, representations or guarantees, including any warranties, conditions, representations or guarantees under any Sale of Goods Act or like legislation or statute is hereby expressly excluded.

Save as herein provided, Danby Products Limited (Canada) or Danby Products Inc. (U.S.A.), shall not be responsible for any damages to persons or property, including the unit itself, howsoever caused or any consequential damages arising from the malfunction of the unit and by the purchase of the unit, the purchaser does hereby agree to indemnify and save harmless Danby Products Limited (Canada) or Danby Products Inc. (U.S.A.) from any claim for damages to persons or property caused by the unit.

#### GENERAL PROVISIONS

No warranty or insurance herein contained or set out shall apply when damage or repair is caused by any of the following:

- 1) Power Failure.
- 2) Damage in transit or when moving the appliance.
- 3) Improper power supply such as low voltage, defective house wiring or inadequate fuses.
- 4) Accident, alteration, abuse or misuse of the appliance such as inadequate air circulation in the room or abnormal operating conditions, (extremely high or low room temperature).
- 5) Use for commercial or industrial purposes.
- 6) Fire, water damage, theft, war, riot, hostility, acts of God such as hurricanes, floods etc.
- 7) Service calls resulting in customer education.

Proof of purchase date will be required for warranty claims; so, please retain bill of sale. In the event warranty service is required, present this document to our AUTHORIZED SERVICE DEPOT or contact Danby at one of the addresses/telephone numbers below.

Please complete and return the enclosed registration card within thirty days for warranty coverage.

Danby Products Limited  
PO Box 1778, 5070 Whitelaw Road,  
Guelph, Ontario, Canada N1H 6Z9  
Telephone: (519) 837-0920 FAX: (519) 837-1730

Danby Products Inc.  
PO Box 669, 101 Bentley Court,  
Findlay, Ohio, U.S.A. 45839-0669  
Telephone: (419) 425-8627 FAX: (419) 425-8629

## CONTENU

Précautions pour éviter l'exposition possible à une énergie excessive de micro-ondes	.18
CONSIGNES DE SÉCURITÉ IMPORTANTES	.18
Consignes de mise à la terre	.19
Guide des ustensiles	.20
Principes de la cuisine aux micro-ondes	.20
FICHE TECHNIQUE	.21
AVANT D'APPELER LE SERVICE TECHNIQUE	.21
Noms des parties	.21
Panneau de commande	.22
CONSIGNES d'utilisation	.23
1 RÉGLAGE DE L'HORLOGE	.23
2 RÉGLAGE DE LA MINUTERIE DU FOUR	.24
3 RÉGLAGE DE LA DURÉE DE CUISSON ET DU NIVEAU D'INTENSITÉ	.24
4 RÉGLAGE DU DÉGEL RAPIDE	.25
5 RÉGLAGE DE LA CUISSON PAR POIDS	.26
6 RÉGLAGE DU DÉGEL PAR POIDS	.27
7 RÉGLAGE DU VERROUILLAGE DE SÉCURITÉ	.28
À PROPOS DE LA CUISSON " UNE TOUCHE "	.28
COMMANDE " MAÏS SOUFFLÉ "	.28
COMMANDE " POMME DE TERRE AU FOUR "	.29
COMMANDE " PIZZA "	.29
COMMANDE " BOISSON "	.29
COMMANDE " METS CONGELÉ "	.30
COMMANDE " RÉCHAUFFAGE "	.30
NETTOYAGE ET ENTRETIEN	.31
Garantie limitée four à micro-ondes	.32

## INTRODUCTION

Merci pour avoir acheté un micro-onde Danby. Ce manuel d'utilisation vous offre des renseignements pratiques pour le soin et entretien de votre nouvel appareil. Un appareil Danby bien entretenu vous pourvoira plusieurs années de service sans ennui. Avant de commencer, veuillez lire attentivement toutes les instructions pour vous renseigner de tous les aspects du fonctionnement de votre appareil.

Nous vous suggérons de joindre une copie de votre reçu-facture d'achat à cette page, ainsi que les renseignements suivants qui sont situés sur la plaque d'identification du fabricant. Elle est située sur la paroi arrière de l'appareil.

Numéro de modèle: \_\_\_\_\_

Numéro de série: \_\_\_\_\_

Date d'achat: \_\_\_\_\_

Nom du marchand et adresse: \_\_\_\_\_

Ces renseignements sont nécessaires si l'appareil exige le service et/ou pour obtenir des renseignements. Pour consulter un Représentant de service au client, téléphonez Danby SANS FRAIS.

**1-800-26- Danby®**

Gardez ces instructions pour la consultation au futur.

## PRÉCAUTIONS POUR ÉVITER L'EXPOSITION POSSIBLE À UNE ÉNERGIE EXCESSIVE DE MICRO-ONDES

- a) Ne tentez pas d'utiliser ce four avec la porte ouverte car il peut en résulter une exposition dangereuse à l'énergie des micro-ondes. Il est important de ne pas neutraliser ni trafiquer le dispositif de verrouillage de sécurité.
- b) Ne placez aucun objet entre l'avant du four et la porte et ne laissez pas de saletés ou de résidus de produits nettoyants s'accumuler sur les surfaces d'étanchéité.
- c) N'utilisez pas le four s'il est endommagé. Il est particulièrement important que la porte du four se ferme convenablement et que les pièces suivantes soient en bon état :
  - 1) Porte (tordue)
  - 2) Charnières et loquet (brisés ou lâches)
  - 3) Joints de portes et surfaces d'étanchéité
- d) Le four ne doit pas être ajusté ni réparé par quiconque à l'exception du personnel d'entretien qualifié.

## CONSIGNES DE SÉCURITÉ IMPORTANTES

Lorsque vous utilisez un appareil électroménager, il faut prendre des précautions élémentaires de sécurité, y compris les suivantes :

MISE EN GARDE - Pour réduire les risques de brûlures, de décharge électrique, de feu, de blessures corporelles ou d'exposition à l'énergie excessive des micro-ondes :

1. Lisez toutes les directives avant d'utiliser l'appareil.
2. Lisez ci-dessus les " Précautions pour éviter l'exposition possible à une énergie excessive de micro-ondes " et mettez-les en pratique.
3. Le four doit être placé sur un comptoir situé à au moins 920 mm (36 pouces) au-dessus du sol. Pour fonctionner correctement, le four doit disposer d'une circulation d'air suffisante. Laissez un espace de 20 cm (7 7/8 po.) au-dessus du four, 10 cm (4 po.) à l'arrière et 5 cm (2 po.) de chaque côté.

Ne couvrez pas, ni ne bloquez aucune ouverture de l'appareil. N'enlevez pas les pattes.
4. Cet électroménager doit être mis à la terre. Il doit être branché uniquement à une prise de courant correctement mise à la terre. Voyez les " Consignes de mise à la terre " à la page 2.
5. Certains produits comme les œufs entiers ainsi que les contenants scellés, comme par exemple les pots de verre fermés, peuvent exploser et ne devraient pas être chauffés dans ce four.
6. Utilisez cet appareil uniquement pour l'usage auquel il est destiné, tel que décrit dans ce manuel. N'employez pas de produits ou de vapeurs chimiques corrosifs dans cet appareil. Ce type de four est conçu spécifiquement pour réchauffer, cuire et déshydrater les aliments. Il n'est pas conçu pour une utilisation en industrie ou dans un laboratoire.
7. Comme pour tout électroménager, une surveillance attentive est nécessaire lors de son utilisation par un enfant.
8. Pour réduire les risques de feu dans la cavité du four :
  - a. Ne faites pas trop cuire les aliments. Surveillez la cuisson de près si du papier, du plastique ou d'autres matières combustibles sont placées dans le four pour faciliter la cuisson.
  - b. Retirez les liens torsadés métalliques des sacs de papier ou de plastique avant de les placer dans le four.
  - c. Si des matières prennent feu dans le four, gardez la porte fermée, éteignez le four et débranchez le cordon d'alimentation ou interrompez le courant au panneau de fusibles ou de disjoncteurs.
  - d. N'utilisez pas la cavité comme espace de rangement. Ne laissez pas de produits de papier, d'ustensiles de cuisine ou de nourriture dans le four lorsqu'il n'est pas utilisé.
9. Le réchauffage de boissons aux micro-ondes peut occasionner une ébullition vive retardée ; il faut donc manipuler le contenant avec soin.
10. Ne faites pas de grande friture dans le four à micro-ondes. Il est difficile de contrôler l'huile qui pourrait constituer un risque d'incendie.
11. Percez les nourritures enrobées d'une pelure épaisse comme les pommes de terre, les courges, les pommes et les châtaignes avant de les faire cuire.
12. Le contenu des biberons et des pots de nourriture pour bébés devrait être remué et vérifié avant d'être servi au bébé pour éviter les brûlures.

## CONSIGNES DE SÉCURITÉ IMPORTANTES

13. Les ustensiles de cuisine peuvent devenir chauds au contact des aliments chauds. Il peut être nécessaire d'utiliser des poignées pour manipuler les ustensiles.
14. Ne couvrez pas, ni ne bloquez aucune ouverture de l'appareil.
15. N'entreposez pas et n'utilisez pas cet appareil à l'extérieur. N'utilisez pas cet appareil près de l'eau, comme par exemple un évier de cuisine, dans un sous-sol mouillé, près d'une piscine ou dans un autre endroit du genre.
16. N'utilisez pas cet appareil si son cordon d'alimentation ou sa fiche a subi des dommages, s'il fonctionne mal, s'il a été endommagé ou s'il est tombé.
17. Ne plongez pas le cordon d'alimentation ou la fiche dans l'eau. Gardez le cordon loin des surfaces chauffantes. Ne laissez pas le cordon pendre du bord d'une table ou d'un comptoir.
18. N'utilisez que des thermomètres conçus spécifiquement pour les fours à micro-ondes.
19. N'utilisez aucun appareil de chauffage ou de cuisson sous cet appareil.
20. Assurez-vous que le plateau de verre et l'anneau de roulement sont en place lorsque vous utilisez le four.
21. MISE EN GARDE : Il est dangereux pour toute personne non qualifiée d'effectuer des activités d'entretien ou de réparation qui impliquent l'enlèvement de tout couvercle protecteur contre l'énergie des micro-ondes.

## CONSIGNES DE MISE À LA TERRE

Cet électroménager doit être mis à la terre. Dans le cas d'un court-circuit électrique, la mise à la terre réduit les risques de décharge électrique en ménageant un fil de sortie au courant électrique.

**MISE EN GARDE** : L'utilisation impropre de la fiche de mise à la terre peut entraîner un risque de décharge électrique.

**Alimentation électrique**

L'alimentation électrique requise est de 120 volts, 60 Hz, c.a. seulement, 15 A. Il est recommandé d'utiliser l'appareil sur un circuit séparé qui lui est destiné exclusivement. Le four est muni d'une fiche à trois broches avec mise à la terre. Il doit être branché dans une prise murale correctement installée et mise à la terre.

L'appareil est muni d'un cordon d'alimentation court pour réduire les risques d'enchevêtrement ou de chute occasionnés par un cordon long.

**Rallonge électrique**

S'il est nécessaire d'utiliser une rallonge électrique, n'utilisez qu'une rallonge à trois fils conducteurs munie d'une fiche à trois broches avec mise à la terre et d'une prise à trois fentes qui accepte la fiche du four à micro-ondes.

**Notas** : 1. Pour toute question sur la mise à la terre et l'installation électrique, consultez un électricien ou un préposé au service compétent.

2. Ni Danby ni le détaillant ne peut accepter aucune responsabilité pour des dommages au four ou des blessures personnelles résultant du manquement à l'application des procédures convenables de connexion électrique.

**Interférence radio ou télévision**

Si votre four à micro-ondes cause de l'interférence dans votre récepteur de radio ou à votre téléviseur, assurez-vous que le four est relié à un circuit distinct, déplacez le récepteur de radio ou le téléviseur aussi loin du four que possible ou changez la position et l'orientation de l'antenne réceptrice.

## GUIDE DES USTENSILES

1. Le matériau idéal d'un ustensile pour micro-ondes est transparent aux micro-ondes, laissant l'énergie le traverser pour chauffer les aliments.
2. Les micro-ondes ne peuvent pas pénétrer les métaux, ce qui interdit l'usage des ustensiles ou des récipients en métal ou bordés de métal.
3. N'utilisez pas de produits faits de papier recyclé pour les cuissons aux micro-ondes, car ils peuvent contenir de petits fragments de métal qui risquent de produire des étincelles et d'enflammer le papier.
4. Il est préférable d'utiliser un plat rond plutôt qu'un plat ovale ou rectangulaire, car la nourriture cuisant dans les coins est plus exposée aux micro-ondes. Une cuisson trop intense dans les coins peut en résulter.

Cette liste est un guide général des ustensiles appropriés

<b>Ustensiles</b>	<b>pour micro-ondes</b>
Verre résistant à la chaleur	Oui
Verre ne résistant pas à la chaleur	Non
Céramique résistante à la chaleur	Oui
Récipient de plastique micro-ondable	Oui
Papier de cuisine	Oui
Plateau de méta	Non
Grille de méta	Non
Papier alu et récipients en papier alu	Oui

## PRINCIPES DE LA CUISINE AUX MICRO-ONDES

La vitesse et l'uniformité de la cuisson aux micro-ondes sont affectées par les aliments eux-mêmes. Les micro-ondes pénètrent les aliments jusqu'à une profondeur allant de 1,8 cm à 3,8 cm (de 3/4 po à 1" po) de toutes les surfaces. L'intérieur des aliments d'un diamètre dépassant les 5 cm (2 po) se réchauffe par conduction. Les aliments contenant beaucoup d'eau, de gras ou de sucre réagissent rapidement à l'énergie des micro-ondes.

**Quantité.** Les durées de cuisson aux micro-ondes sont directement proportionnelles aux quantités d'aliments dans le four car l'énergie est absorbée par les aliments eux-mêmes.

**Taille.** Les petites pièces cuisent plus vite que les grosses. Pour accélérer la cuisson, taillez des pièces plus petites que 5 cm (2 po) pour permettre aux micro-ondes d'en pénétrer le centre à partir de tous les côtés. Pour une cuisson uniforme, taillez toutes les pièces de la même taille.

**Forme.** Les aliments aux formes irrégulières, comme les poissons et les poitrines de poulet, mettent plus de temps à cuire dans leurs parties les plus épaisses. Pour les aider à cuire uniformément, tournez les parties épaisses vers l'extérieur du plat, où elles recevront plus d'énergie.

**Température initiale.** Les aliments congelés ou réfrigérés mettent plus de temps à se réchauffer que ceux à la température de la pièce.

**Teneur en humidité.** Les micro-ondes sont attirées par l'humidité. Les aliments naturellement humides cuisent plus vite que les aliments secs. Ajoutez un minimum de liquide aux aliments humides, car l'eau en excès ralentit la cuisson. Piquez les aliments couverts d'une pelure, comme les pommes de terre et les courges, pour laisser la vapeur s'échapper de l'intérieur.

**Gras et os.** Les marbrures dans la viande ou une couche de gras mince et uniforme sur un rôti accélèrent la cuisson. De grandes surfaces de gras ou du gras fondu en excès dans un plat attirent l'énergie loin de la viande et ralentissent la cuisson. L'os au centre d'une pièce de viande ne ralentit pas la cuisson mais un os à la surface d'une pièce de viande conduit la chaleur vers la viande qu'il touche.

**Densité.** La profondeur à laquelle les micro-ondes pénètrent les aliments varie selon leur densité. Des aliments poreux, comme le bœuf haché ou la purée de pommes de terre, cuisent plus vite que les aliments denses comme le bifteck ou les pommes de terre entières.

## FICHE TECHNIQUE

Consommation d'énergie :	120 V ~ 60 Hz, 1 500 W
Puissance de sortie :	900 W
Fréquence de fonctionnement :	2 450 MHz
Dimensions extérieures :	12 po (H) x 20 po (La) x 15 7/16 po (P) 305 mm (H) x 508 mm (La) x 390 mm (P)
Dimensions de la cavité du four :	8 7/16 po (H) x 13 3/4 po (La) x 13 po (P) 215 mm (H) x 350 mm (La) x 330 mm (P)
Capacité du four :	0,9 pi3
Uniformité de cuisson :	Plateau rotatif (12 3/8 po / 314 mm)
Poids net :	Env. 34,4 lb / 15,6 kg

## AVANT D'APPELER LE SERVICE TECHNIQUE

Si le four refuse de fonctionner :

A) Assurez-vous que le four est branché fermement. S'il ne l'est pas, retirez la fiche de la prise, attendez dix secondes et branchez-la à nouveau fermement.

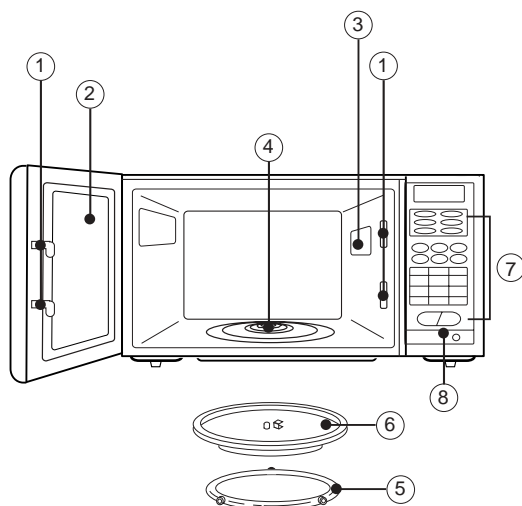
B) Vérifiez qu'un fusible du circuit principal n'a pas sauté ou qu'un disjoncteur ne s'est pas déclenché. Si tout semble en ordre, faites l'épreuve de la prise de courant à l'aide d'un autre appareil.

C) Assurez-vous que le panneau de commande est programmé correctement et que la minuterie est réglée.

D) Assurez-vous que la porte est bien fermée et que le loquet de sécurité est bien enclenché, sinon l'énergie des micro-ondes ne se propagera pas dans le four.

SI AUCUNE DES MESURES QUI PRÉCÈDENT NE RÉTABLIT LA SITUATION, COMMUNIQUEZ AVEC UN TECHNICIEN QUALIFIÉ. NE TENTEZ PAS D'AJUSTER OU DE RÉPARER LE FOUR VOUS-MÊME.

## NOMS DES PARTIES



- 1 Système de loquet de sécurité de la porte
- 2 Fenêtre du four
- 3 Un évent pour l'échappement d'air du four à micro-ondes
- 4 Moyeu du plateau rotatif
- 5 Anneau de roulement
- 6 Plateau de verre
- 7 Panneau de commande
- 8 Poussoir d'ouverture de la porte

## PANNEAU DE COMMANDE

### AFFICHAGE

Lorsqu'il est réglé, l'affichage montre l'horloge / minuterie, la fonction de cuisson (COOK, DEFROST, etc.) et des indications écrites étape par étape (qui vous disent sur quelle touche appuyer) pour faciliter les réglages du four.

### TOUCHE BAKED POTATOE (POMME DE TERRE AU FOUR)

Programme automatique conçu pour faire les meilleures pommes de terre aux micro-ondes. Pour de petites pommes de terre (de 4 à 6 oz), appuyez une seule fois sur la touche, appuyez sur AMOUNT (quantité de 1 à 4) puis START/STOP. Pour de grosses pommes de terre (de 8 à 10 oz), appuyez deux fois sur la touche, appuyez sur AMOUNT (quantité de 1 à 4) puis START/STOP.

### TOUCHE POPCORN (MAÏS SOUFFLÉ)

Commande automatique en une seule étape pour un sac de 1/2 oz à 3 oz de maïs soufflé pour micro-ondes. Appuyez sur la touche POPCORN, puis START/STOP. Voyez la page de la commande " MAÏS SOUFFLÉ " pour régler la cuisson convenant aux emballages de divers poids.

### TOUCHE PIZZA

Programme automatique conçu pour la pizza. Appuyez une fois sur la touche puis appuyez sur START/STOP pour réchauffer une tranche ; appuyez deux fois sur la touche, puis START/STOP pour les pizzas congelées entières pour micro-ondes.

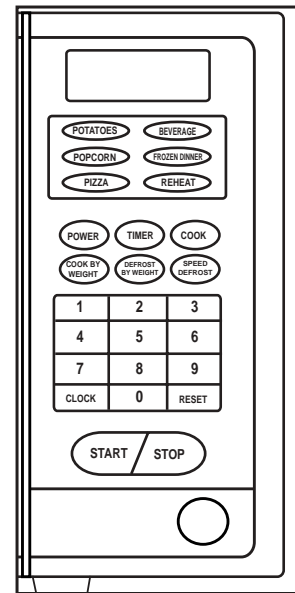
### TOUCHE BEVERAGE (BOISSON)

Commande automatique pour les tasses ou les chopes de boissons chaudes (café, thé). Pour les petites tasses (de 5 à 7 oz), appuyez une fois sur la touche, puis appuyez sur AMOUNT (quantité de 1 à 4), puis START/STOP. Pour les plus grosses chopes (de 8 à 11 oz), appuyez deux fois sur la touche, puis appuyez sur AMOUNT (quantité de 1 à 4), puis START/STOP.

### TOUCHE REHEAT (RÉCHAUFFAGE)

Programme automatiquement le four pour qu'il réchauffe uniformément une assiette de nourriture. Appuyez sur la touche REHEAT, puis START/STOP.

(Voyez également les pages suivantes pour plus de détails.)



### TOUCHE FROZEN DINNER (METS CONGELÉ)

Programme automatique conçu pour reconstituer au mieux une variété de mets et de repas congelés. Pour un mets d'une portion (de 7 à 9 oz), appuyez une fois sur la touche, appuyez sur AMOUNT puis START/STOP. Pour un repas congelé (de 10 à 12 oz), appuyez deux fois sur la touche, puis START/STOP.

### TOUCHES DE CHIFFRES

Appuyez sur ces touches lorsque vous réglez la cuisson, le dégel rapide, la minuterie et l'horloge.

### TOUCHE POWER (INTENSITÉ)

Le four cuit automatiquement à pleine intensité. Pour un réglage plus faible, réglez la durée de cuisson, appuyez sur POWER et entrez un chiffre (de 1 à 9) qui abaisse l'intensité.

### TOUCHE TIMER (MINUTERIE)

Minuterie de cuisine indépendante permettant de minuter n'importe quelle durée, même quand le four est en marche. Appuyez sur TIMER, entrez la durée voulue puis appuyez sur START/STOP. Pour annuler, appuyez sur RESET.



#### TOUCHE COOK (CUISSON)

Faites cuire à un niveau d'intensité pour une durée déterminée, puis passez automatiquement à un autre niveau d'intensité pour le reste de la durée de cuisson.

#### CUISSON PAR POIDS

Appuyez sur la touche COOK, entrez le poids exact de la viande, appuyez sur START/STOP. Après une cuisson partielle, le four s'arrête et la durée reste affichée.

Retournez alors la pièce de viande. Appuyez de nouveau sur START/STOP pour terminer la cuisson.

#### DÉGEL PAR POIDS

Dégel automatique des grosses pièces de viande.

L'intensité est contrôlée pour décongeler sans réchauffement extérieur excessif.

#### TOUCHE SPEED DEFROST (DÉGEL RAPIDE)

Programme automatiquement des niveaux plus faibles d'intensité pour un dégel uniforme. Appuyez sur SPEED DEFROST, entrez la durée puis appuyez sur START/STOP.

#### TOUCHE CLOCK (HORLOGE)

Appuyez une fois sur la touche, entrez l'heure puis appuyez sur START/STOP pour régler l'horloge.

#### TOUCHE RESET (ANNULER)

Appuyez sur la touche pour débarrasser l'affichage de la durée inutilisée après la cuisson ou pour annuler la minuterie.

#### TOUCHE START/STOP (MARCHE / ARRÊT)

Appuyez sur la touche à la dernière étape du réglage du four. Appuyez pour interrompre le four en cours de cuisson (appuyez à nouveau pour poursuivre la cuisson de la durée affichée). N'arrête pas la minuterie.

## CONSIGNES D'UTILISATION

### 1. RÉGLAGE DE L'HORLOGE

#### A. Réglage de l'horloge au branchement du four.

- Lorsque vous branchez le four dans une prise de courant, appuyez une fois sur la touche CLOCK et l'affichage indique " ENTER CLOCK TIME ".
- Entrez l'heure exacte en appuyant sur les touches de chiffres. Vous devez entrer au moins 3 chiffres (au moins un pour l'heure et deux pour les minutes). Pour entrer moins de dix minutes, précédez le chiffre des minutes d'un zéro. Par exemple, pour entrer deux heures et cinq minutes, faites 205. Les deux points clignotent entre les chiffres des heures et ceux des minutes. Si vous préférez ne pas afficher l'heure, réglez l'horloge à 00:00 et le panneau n'affichera que les deux points.
- Appuyez sur START/STOP pour confirmer l'heure. Les deux points cessent de clignoter et l'horloge se met en marche. Lorsque l'horloge est réglée, le mot CLOCK et l'heure s'affichent de façon continue, tant que le four n'est pas en marche.

#### B. Changement de l'heure à l'horloge

- Appuyez une fois sur la touche CLOCK et l'affichage indique " ENTER CLOCK TIME ".
- Entrez l'heure exacte en appuyant sur les touches de chiffres. Vous devez entrer au moins 3 chiffres (au moins un pour l'heure et deux pour les minutes). Pour entrer moins de dix minutes, précédez le chiffre des minutes d'un zéro. Par exemple, pour entrer deux heures et cinq minutes, faites 205. Les deux points clignotent entre les chiffres des heures et ceux des minutes. Si vous préférez ne pas afficher l'heure, réglez l'horloge à 00:00 et le panneau n'affichera que les deux points.
- Appuyez sur START/STOP pour confirmer l'heure. Les deux points cessent de clignoter et l'horloge se met en marche. Lorsque l'horloge est réglée, le mot CLOCK et l'heure s'affichent de façon continue, tant que le four n'est pas en marche.

### C. Remarques sur le réglage de l'horloge

- SI VOUS FAITES UNE ERREUR en réglant l'horloge, mettez le four en marche en appuyant deux fois sur la touche CLOCK.
- POUR CONSULTER L'HORLOGE EN COURS DE CUISSON, appuyez sur la touche CLOCK. L'heure s'affiche pendant trois seconde avant que ne revienne l'affichage du compte à rebours de la cuisson en cours.
- EN CAS DE PANNE DE COURANT, au retour du courant, le contrôle est en mode de réglage de l'horloge. Suivez les directives du réglage de l'horloge.
- BIPS EN COURS DE RÉGLAGE DU FOUR  
UN BIP : Le four accepte la commande. L'information a été entrée dans l'ordre correct.  
DEUX BIPS : Le four n'accepte pas la commande. Vérifiez et recommencez.

## 2. RÉGLAGE DE LA MINUTERIE

### A. La minuterie fonctionne indépendamment de la cuisson et peut être réglée en tout temps pour diverses tâches dans la cuisine. Vous pouvez utiliser la minuterie même si le four est déjà en train de minuter une fonction de cuisson. Réglez la durée comme suit :

- Appuyez sur la touche TIMER. Les mots ENTER TIMER TIME s'affichent. Si vous réglez la minuterie alors qu'une cuisson est en cours, le compte à rebours de la durée de cuisson est momentanément remplacé à l'affichage par la minuterie.
- Entrez la durée que vous désirez minuter en appuyant sur les touches de chiffres. L'entrée en minutes et secondes s'affiche de gauche à droite. Entrez un seul chiffre (5 pour cinq secondes) ou jusqu'à quatre chiffres (2405 pour vingt-quatre minutes et cinq secondes). Les mots ENTER TIMER restent affichés.
- Appuyez sur la touche START/STOP. Le mot TIMER clignote et la minuterie commence son compte à rebours. Si vous utilisez la minuterie alors qu'une cuisson est en cours, le mot TIMER clignote et le compte à rebours de la minuterie s'affiche durant trois secondes, après quoi le compte à rebours de la cuisson en cours s'affiche à nouveau. Le mot TIMER est affiché avec un autre mot indiquant le mode de cuisson en cours.

### B. Remarques sur le réglage de la minuterie.

- POUR ARRÊTER LA MINUTERIE OU LA RÉGLER À NOUVEAU alors qu'aucune cuisson n'est en cours, appuyez sur la touche RESET.

- POUR RÉGLER LA MINUTERIE ALORS QU'UNE CUISSON EST EN COURS, assurez-vous de régler la minuterie correctement. Une fois la minuterie réglée pendant une cuisson, le réglage ne peut pas être changé sans annuler la fonction de cuisson en même temps. La touche RESET ne permet pas de changer le réglage de la minuterie alors qu'une cuisson est en cours.
- À la fin du compte à rebours de la minuterie, un long bip se fait entendre et la minuterie disparaît. Si aucune cuisson n'est en cours, le mot CLOCK et l'horloge (si elle a été réglée) reviennent s'afficher. Si une cuisson est en cours, un long bip se fait entendre et le mot TIMER s'éteint alors que le compte à rebours de la cuisson en cours continue de s'afficher.

## 3. RÉGLAGE DE LA DURÉE DE CUISSON ET DU NIVEAU D'INTENSITÉ

### A. RAPIDE ET FACILE

Pour une cuisson à 100 % de l'intensité, réglez simplement la durée de cuisson à l'aide des touches de chiffres (par exemple, pour trois minutes, entrez 300) et appuyez sur START/STOP. L'intensité 100 % est réglée automatiquement. Pour la cuisson en une seule étape, il n'est pas nécessaire d'appuyer sur la touche COOK avant de régler la durée.

### B POUR UNE CUISSON À UN NIVEAU D'INTENSITÉ PLUS FAIBLE

Après avoir réglé la durée de cuisson, appuyez sur la touche POWER suivi d'un seul chiffre indiquant le niveau d'intensité désiré. Appuyez sur la touche START/STOP. Puisque le four présume automatiquement l'intensité 100 %, il faut modifier le niveau d'intensité (si désiré) après avoir réglé la durée.

### UTILISEZ CES CHIFFRES POUR REPRÉSENTER LES NIVEAUX D'INTENSITÉ

Chiffre	% de l'intensité
9	90%
8	80%
7	70%
6	60%
5	50%
4	40%
3	30%
2	20%
1	10%

Si vous faites une cuisson à une intensité plus faible et que vous désirez revenir à 100 %, appuyez deux fois sur la touche POWER.

## C. CUISSON EN DEUX ÉTAPES

À l'intensité présumée de 100 %, entrez la durée correcte de la première étape à l'aide des touches de chiffres comme à l'étape " A. RAPIDE ET FACILE " ci-dessus. (La plupart des recettes requérant deux étapes de cuisson commencent à 100 % de l'intensité mais il est également possible de modifier le niveau d'intensité de la première étape après avoir réglé la durée de cuisson.)

N'APPUYEZ PAS SUR LA TOUCHE START/STOP RÉGLAGE DE LA SECONDE ÉTAPE :

Appuyez sur la touche COOK. Entrez la durée correcte de cuisson de la seconde étape puis l'intensité (plus faible) désirée. (La plupart des recettes requérant deux étapes de cuisson utilisent une intensité plus faible à la seconde étape.) Appuyez sur la touche START/STOP. La première étape de cuisson débute.

Le mot MEM (mémoire) s'affiche au cours de la première étape de cuisson, ce qui indique que le four garde en mémoire qu'une seconde étape a été programmée. À la fin de la première étape, deux bips peuvent se faire entendre, indiquant le début de la seconde étape.

LORSQUE TOUT LE TEMPS EST ÉCOULÉ, quatre longs bips se font entendre et le mot END s'affiche. Appuyez sur la touche RESET ou ouvrez la porte pour faire disparaître le mot END avant de commander la fonction suivante.

CECI EST NORMAL :

- L'extérieur du four peut être chaud au toucher. De la vapeur peut s'échapper du four ou de l'humidité peut y paraître après la cuisson.
- L'intensité de la lampe interne peut fluctuer et le son du ventilateur peut changer lorsqu'une intensité plus faible est utilisée.
- Une interférence peut se produire dans le récepteur de radio ou le téléviseur, semblable à celle occasionnée par d'autres électroménagers. Ceci n'indique pas un problème.

## 4. RÉGLAGE DU DÉGEL RAPIDE

A. Le dégel rapide règle automatiquement l'intensité du four pour le dégel le plus rapide de mets de tailles petites à moyennes. Le dégel rapide travaille de concert avec la minuterie ; il faut donc décider de la durée à régler.

Les durées de dégel rapide sont généralement assez courtes pour que vous restiez près du four afin de

surveiller le mets qui dégèle. Plusieurs mets requièrent qu'on les retourne, qu'on les dispose différemment ou qu'on les sépare (si plusieurs morceaux sont gelés ensemble). Ces soins attentifs accélèrent le dégel et assurent son uniformité.

### " Quand un dégel rapide est-il préférable à un dégel par poids ? "

Ce choix est déterminé par le genre de nourriture à dégeler et par l'attention qu'il faut accorder à cette étape. Le programme de dégel automatique par poids est conçu spécifiquement pour les gros rôtis denses qui doivent dégeler lentement pour un résultat uniforme. Le dégel par poids ne requiert qu'un seul retournement de la pièce de viande.

- Appuyez sur la touche SPEED DEFROST. Les mots ENTER DEF TIME s'affichent.
- Entrez la durée désirée du dégel rapide à l'aide des touches de chiffres. Le compteur numérique affiche de gauche à droite si bien qu'on peut entrer un seul chiffre (5 pour cinq secondes) ou jusqu'à quatre chiffres (2405 pour vingt-quatre minutes et cinq secondes). Les mots ENTER DEF restent affichés.
- Appuyez sur la touche START/STOP. Le mot DEF clignote et le compte à rebours de la durée de dégel commence. LORSQUE LA DURÉE EST ÉCOULÉE, quatre longs bips se font entendre et le mot END s'affiche. Appuyez sur la touche RESET ou ouvrez la porte pour faire disparaître le mot END avant de commander la fonction suivante.

B. Pour régler un dégel rapide suivi d'une ou de deux étapes de cuisson : après le réglage du dégel rapide, le four peut être programmé pour passer automatiquement à une cuisson à une ou deux étapes. Ce programme est utile pour les casseroles humides congelées et les autres mets qu'il vaut mieux remuer en cours de réchauffement. Après le dégel, faites cuire à 100 % d'intensité puis abaissez l'intensité jusqu'à ébullition. Remuez périodiquement pour distribuer uniformément la chaleur.

- Pour le dégel rapide et la cuisson en une étape, suivez les indications de réglage du dégel rapide qui précèdent, mais avant d'appuyer sur la touche START/STOP, appuyez sur la touche COOK, entrez la durée à l'aide des touches de chiffres ainsi que l'intensité si désiré. Appuyez alors sur la touche START/STOP. Le mot MEM s'affiche jusqu'à ce que le four (deux bips) passe à l'étape de cuisson et que le mot COOK s'affiche. Voyez à la page 9 les renseignements détaillés sur la cuisson par étapes.
- Pour le dégel et la cuisson en deux étapes, suivez les directives qui précèdent. Avant d'appuyer sur la touche START/STOP, entrez deux programmes de cuisson, en utilisant une intensité différente (généralement plus faible) pour la seconde étape. Le mot MEM s'affiche durant le dégel et la première étape de cuisson. Deux bips se font entendre aux changements d'étapes.

INTERRUPTION DU DÉGEL (pour remuer la nourriture, la tourner ou pour toute autre action). Appuyez sur la touche START/STOP ou ouvrez la porte du four. Le temps non encore écoulé reste affiché. Refermez la porte et appuyez sur START/STOP pour continuer. Si aucun dégel additionnel n'est requis, la touche RESET annule l'affichage.

## 5. RÉGLAGE DE LA CUISSON PAR POIDS

Cette caractéristique sert à rôtir les viandes aux micro-ondes. Ses durées et ses niveaux d'intensité de cuisson pré-réglés donnent de meilleurs résultats qu'une cuisson à une seule intensité ; il est plus facile de faire cuire la viande de cette façon qu'en suivant les directives des livres de recettes car il n'y a aucune durée à calculer en fonction des " minutes par livre ". Des que vous entrez le code (qui indique à l'appareil la sorte de viande) et le poids, le four calcule la durée de cuisson.

La viande doit avoir été dégelée, à la température du réfrigérateur, pour que les durées de cuisson pré-réglées de ce code s'appliquent.

Les rôtis de 3 à 5 livres donnent les meilleurs résultats aux micro-ondes. Le code de cuisson par poids permet un poids inférieur à 3 livres mais pas supérieur à 5 livres. Selon le code, deux bips indiquent une erreur si un poids trop grand est entré.

La cuisson par poids programme le four pour qu'il s'arrête après une cuisson partielle, évitant de trop cuire la viande sur un côté. La pièce de viande est alors tournée et la cuisson peut se poursuivre.

- Appuyez sur la touche COOK BY WEIGHT. Les mots ENTER CODE s'affichent.
- Choisissez le code approprié de 1 à 3. Le cadre de la porte du four et le tableau ci-contre décrivent les types de nourriture correspondant à chaque code. Entrez le code d'un chiffre à l'aide d'une des touches de chiffres.
- Vérifiez le poids de la viande. Le poids doit être en livres et en onces. Si l'étiquette donne le poids en livres seulement, convertissez la fraction de livre en onces à l'aide du tableau de la page 27.
- Le mot ENTER est affiché et des zéros indiquent où les livres et les onces s'afficheront. Les lettres LB clignotent jusqu'à ce que vous entriez les livres à l'aide de la touche de chiffre appropriée. Entrez le poids. Lorsque vous avez entré les livres (ou la livre), LB cesse de clignoter et OZ clignote. Les nombres d'onces inférieurs à 10 doivent être précédés d'un zéro. Dès que les trois chiffres sont entrés, l'affichage se transforme immédiatement pour indiquer la durée de cuisson.
- Appuyez sur START/STOP pour commencer la cuisson. La lampe interne s'allume et le ventilateur se met en marche. Le mot CODE clignote alors que le compte à rebours progresse. Le four émet un bip au quart de la cuisson. Inspectez les bords minces des viandes et protégez-les au besoin.
- Après une cuisson partielle, le four fait entendre deux bips et s'arrête. La lampe interne s'éteint mais le temps écoulé reste affiché. Cet arrêt a pour but d'empêcher les viandes de trop cuire sur un côté. Retournez la viande et appuyez sur la touche START/STOP pour terminer la cuisson.
- À la fin de la durée totale de cuisson, 4 longs bips se font entendre et le mot END s'affiche. Appuyez sur la touche RESET ou ouvrez la porte pour faire disparaître le mot END avant de commander la fonction suivante. Laissez reposer le rôti pendant quelques minutes avant de le découper.

Lorsque le four change d'intensité de cuisson, vous pouvez remarquer des fluctuations dans l'éclairage de la lampe interne et dans le son du ventilateur. Ce phénomène est normal.

## DESCRIPTION DES CODES DE CUISSON PAR POIDS

Code	Type de rôti	Température interne après un temps de repos	Poids maximum recommandé
1	Rôti de boeuf	Saignant - 140 °F	5 lb
2	Boeuf et agneau	Médium - 160 °F	5 lb
3	Porc	Bien cuit - 170 °F	5 lb

## CONVERSION DES FRACTIONS DE LIVRES EN ONCES

La plupart des emballages indiquent le poids en livres seulement. À l'aide de ce tableau, convertissez les fractions de livres en onces pour la cuisson par poids.

FRACTIONS DE LIVRE	ONCES
Moins de 0,03	0
de 0,03 à 0,09	1
de 0,10 à 0,15	2
de 0,16 à 0,21	3
de 0,22 à 0,27	4
de 0,28 à 0,34	5
de 0,35 à 0,40	6
de 0,41 à 0,46	7
de 0,47 à 0,53	8
de 0,54 à 0,59	9
de 0,60 à 0,65	10
de 0,66 à 0,71	11
de 0,72 à 0,78	12
de 0,79 à 0,84	13
de 0,85 à 0,90	14
de 0,91 à 0,97	15
plus de 0,97	Arrondir à la livre suivante

### 6. RÉGLAGE DU DÉGEL PAR POIDS

Utilisez le dégel par poids pour tout poids jusqu'à 6 livres. Comme c'est un mode de dégel plus délicat que le dégel rapide, il est particulièrement efficace pour les viandes denses au centre mais susceptibles de trop cuire sur les bords. Pour des quantités de viande aussi petites qu'une livre de bœuf haché ou délicates comme des crevettes, le dégel par poids donne des résultats plus uniformes que le dégel rapide. Choisissez le dégel par poids pour les gros rôtis.

- Vérifiez le poids de la viande. Le poids doit être en livres et en onces. Si l'étiquette donne le poids en livres seulement, convertissez la fraction de livre en onces à l'aide du tableau de la page 27. Déballez la viande avant de la décongeler.
- Appuyez sur la touche DEFROST BY WEIGHT. Le mot ENTER est affiché et des zéros indiquent où les livres et les onces s'afficheront. Les lettres LB clignotent jusqu'à ce que vous entriez les livres à l'aide de la touche de chiffre appropriée. Lorsque vous avez entré les livres (ou la livre), LB cesse de clignoter et OZ clignote. Les nombres d'onces inférieurs à 10 doivent être précédés d'un zéro. Dès que les trois chiffres sont entrés, l'affichage se transforme immédiatement pour indiquer la durée de cuisson.
- Appuyez sur START/STOP pour commencer la cuisson. La lampe interne s'allume ; le plateau rotatif et le ventilateur se mettent en marche. Le mot CODE clignote alors que le compte à rebours progresse.
- Après un dégel partiel, le four fait entendre deux bips et s'arrête. La lampe interne s'éteint mais le temps écoulé reste affiché. Cet arrêt a pour but de vous permettre de tourner, de replacer ou de protéger les viandes. Après avoir pris les mesures requises, appuyez sur la touche START/STOP pour terminer la cuisson. À la fin de la durée totale de dégel, 4 longs bips se font entendre et le mot END s'affiche. Appuyez sur la touche RESET ou ouvrez la porte pour faire disparaître le mot END avant de commander la fonction suivante.

Remarques :

- Allouez suffisamment de temps au DÉGEL PAR POIDS car il est plus lent et graduel que le DÉGEL RAPIDE. Avec le dégel par poids, les micro-ondes sont émises entre des périodes de repos où les micro-ondes n'entrent pas dans le four. Ces périodes sans micro-ondes permettent aux températures de se répartir dans les viandes avant que la période suivante d'émission de micro-ondes se déclenche automatiquement.
- Le DÉGEL PAR POIDS règle automatiquement la durée correcte du dégel, mais il faut entrer correctement le poids de la nourriture. Le poids doit être en livres et en onces. Placez la viande sur une grille micro-ondable dans un plat destiné au rôtissage aux micro-ondes. Disposez les viandes avec la surface de gras en dessous et la volaille avec la poitrine en dessous.

## 7. RÉGLAGE DU VERROUILLAGE DE SÉCURITÉ

Le verrouillage de sécurité empêche l'utilisation du four par de petits enfants sans surveillance. Pour l'actionner, quand le four est éteint, appuyer et maintenir la touche RESET pendant trois secondes. Pour annuler le verrouillage de sécurité, quand le four est éteint, appuyer de nouveau et maintenir la touche RESET pendant trois secondes.

### À PROPOS DE LA CUISSON " UNE TOUCHE "

Votre four dispose de six programmes " une touche " pour la cuisson aux micro-ondes de mets populaires. Lorsque vous choisissez une cuisson " une touche ", consultez le guide visuel du panneau de commande pour y trouver le réglage exact. Lorsque des points (•) (••) paraissent sur des touches " une touche ", on peut y faire cuire plus d'une taille d'aliment. Trois touches " une touche " permettent de faire cuire plusieurs quantités (un article ou plus) du même mets. Elles comprennent celles des plats congelés (FROZEN ENTREE), des pommes de terre au four (BAKED POTATOE) et des boissons (BEVERAGE). Lorsque vous appuyez sur l'une de ces touches, le mot AMT (quantité) s'affiche pour vous rappeler d'entrer la quantité d'articles que vous mettez à cuire.

Les catégories qui ont des points correspondant à deux tailles de mets comprennent celles des plats congelés (FROZEN ENTREE), des pommes de terre au four (BAKED POTATOE), de la pizza (PIZZA) et des boissons (BEVERAGE).

Dans chaque catégorie de cuisson " une touche ", le réglage pour un mets de petite taille s'effectue en appuyant une fois sur la touche. Un point (•) sous l'image du mets de petite taille indique d'appuyer une seule fois. La grande taille peut être réglée en appuyant deux fois sur la touche de l'image. Deux points (••) sous l'image du mets de grande taille indiquent d'appuyer deux fois.

Lorsque AMT s'affiche durant un réglage " une touche ", le réglage d'un plus grand nombre d'articles qu'il n'est permis fait entendre deux bips, indiquant une erreur. Les pages qui suivent indiquent le nombre maximum d'articles permis pour chaque réglage.

### COMMANDE POPCORN (MAÏS SOUFFLÉ)

La touche POPCORN règle automatiquement la durée de cuisson d'un sachet de 3 oz à 31/2 oz de maïs soufflé pour micro-ondes.

VOUS POUVEZ MODIFIER LE RÉGLAGE DE MAÏS SOUFFLÉ POUR QU'IL " SE RAPPELLE " UNE DURÉE DIFFÉRENTE DE CUISSON. Vous pouvez

choisir de le faire si le format de votre marque préférée de maïs soufflé est différent des formats de 3 oz à 31/2 oz. On trouve maintenant des formats allant du format individuel de 2 onces au grand format " familial ". Si vous modifiez le réglage, le four continue d'utiliser le réglage modifié chaque fois que vous appuyez sur la touche POPCORN, jusqu'à ce que vous fassiez une nouvelle modification.

Pour éviter LA DÉCOLORATION DE VOTRE PLATEAU ROTATIF, placez les sachets de maïs pour micro-ondes sur une soucoupe ou une assiette micro-ondable. Le côté identifié " ce côté vers le bas " des sachets de maïs pour micro-ondes contient une doublure qui absorbe la chaleur et devient très chaud. La soucoupe ou l'assiette placée entre le sachet et le plateau rotatif empêche les encres chaudes du sachet de tacher le plateau.

### CONSEILS À PROPOS DU MAÏS SOUFFLÉ AUX MICRO-ONDES :

Écoutez l'éclatement du maïs soufflé et arrêtez le four lorsque les éclatements sont espacés de trois secondes ou plus. Ne tentez pas de faire éclater les grains qui n'ont pas éclaté. À moins que vous n'ayez un récipient spécifiquement conçu pour faire le maïs soufflé aux micro-ondes, n'utilisez que les sachets vendus dans le commerce à cette fin.

L'utilisation de plats de verre ou de céramique, ainsi que de sachets de papier, peut endommager le four. Prenez garde en manipulant le sachet de maïs soufflé chaud. Pour éviter de vous brûler à la vapeur, tenez le sachet par les côtés, pas le dessus. Prévenez surtout les enfants de prendre garde aux sachets de maïs soufflé chaud.

1. Appuyez sur la touche POPCORN. Le mot COOK s'affiche ainsi que la durée 2 :15 (deux minutes, quinze secondes). Cette durée préétablie tient compte de la puissance du four pour donner le meilleur résultat avec des sachets de maïs soufflé ordinaires de 3 oz à 31/2 oz.
2. Appuyez sur la touche START/STOP. Le mot COOK clignote alors que l'affichage compte à rebours la durée de la cuisson. La lampe interne s'allume et le ventilateur se met en marche. Le plateau rotatif tourne (pour un seul sachet de maïs soufflé, la rotation du plateau donne les meilleurs résultats).

3. Pour modifier la durée de cuisson, appuyez deux fois sur la touche POPCORN. Les mots ENTER TIME s'affichent. Entrez la durée en minutes et secondes à l'aide des touches de chiffres. Appuyez sur la touche START/STOP. Cette nouvelle durée de cuisson sera conservée en mémoire pour l'utilisation de la touche POPCORN jusqu'à ce qu'elle soit modifiée.

#### COMMANDE POTATO (POMME DE TERRE AU FOUR)

La commande automatique pour pommes de terre vous permet de faire cuire facilement diverses pommes de terre. Une durée d'attente incorporée aide à uniformiser la température des pommes de terre au cours de la cuisson. Appuyez une fois sur la touche POTATO pour les pommes de terre moyennes de 4 à 6 oz. Appuyez deux fois pour les grosses pommes de terre de 8 à 10 oz. Après avoir choisi le réglage correspondant à la taille des pommes de terre (une fois pour les petites et les moyennes, deux fois pour les grosses), entrez le nombre de pommes de terre à cuire. Avec cette fonction, on peut faire cuire jusqu'à quatre pommes de terre d'une taille ou de l'autre.

1. Pour les pommes de terre de 4 à 6 oz, appuyez une fois sur la touche POTATO. Les mots ENTER AMT s'affichent. Entrez le nombre de pommes de terre (jusqu'à quatre) à l'aide d'une des touches de chiffres. Voici les durées de cuisson des pommes de terre petites et moyennes :
  - 1 pomme de terre : 3 min. 20 sec.
  - 2 pommes de terre : 6 min. 20 sec.
  - 3 pommes de terre : 9 min. 20 sec.
  - 4 pommes de terre : 12 min. 20 sec.
2. Pour les grosses pommes de terre de 8 à 10 oz, appuyez deux fois sur la touche POTATO. Les mots ENTER AMT s'affichent. Entrez le nombre de pommes de terre (jusqu'à quatre) à l'aide d'une des touches de chiffres. Voici les durées de cuisson des grosses pommes de terre :
  - 1 pomme de terre : 5 min. 00 sec.
  - 2 pommes de terre : 9 min. 00 sec.
  - 3 pommes de terre : 13 min. 00 sec.
  - 4 pommes de terre : 17 min. 00 sec.
3. Le mot CODE s'affiche, ainsi que la durée correcte de cuisson selon le nombre de pommes de terre. Appuyez sur la touche START/STOP. Le mot CODE clignote et le compte à rebours de la durée de cuisson commence.

#### COMMANDE PIZZA

Grâce à la touche automatique PIZZA, vous pouvez réchauffer une portion restante de pizza ou toute une pizza pour micro-ondes congelée. La quantité dépend du réglage de la touche. Pour une tranche épaisse (ou deux tranches minces totalisant de 4 à 5 onces) de pizza à réchauffer, appuyez une fois sur la touche PIZZA. Pour toute une pizza pour micro-ondes congelée, appuyez deux fois sur la touche PIZZA. Les points près des illustrations de deux sortes de pizzas indiquent s'il faut appuyer une fois (pour la tranche à réchauffer) ou deux (pour toute une pizza pour micro-ondes congelée).

1. POUR RÉCHAUFFER UNE TRANCHE (OU DEUX TRANCHES MINCES) DE PIZZA CUITE : Appuyez une fois sur la touche PIZZA. Le mot CODE et la durée 1:00 (une minute) s'affichent.
2. POUR CHAUFFER UNE PIZZA POUR MICRO-ONDES CONGELÉE : Appuyez deux fois sur la touche PIZZA. Le mot CODE et la durée 5:00 (cinq minutes) s'affichent.
3. Appuyez sur la touche START/STOP. Le mot CODE clignote et le compte à rebours de la durée commence.

#### COMMANDE BEVERAGE (BOISSON)

La touche pour boisson est programmée pour réchauffer automatiquement des boissons (thé / café) en deux formats. Pour les petites portions d'une tasse, appuyez une fois sur la touche BEVERAGE. Un seul point près de l'image d'une tasse de café indique d'appuyer une seule fois sur la touche. Pour les grosses chopes de café, appuyez deux fois sur la touche BEVERAGE. Deux points près de l'illustration de la chope sur la touche BEVERAGE indiquent d'y appuyer deux fois. Après avoir indiqué la taille de la tasse, vous devez entrer le nombre de tasses à réchauffer. Si vous négligez l'étape du nombre, le four présume qu'il s'agit d'une seule tasse.

1. Pour les tasses de 5 à 7 onces, appuyez une fois sur la touche BEVERAGE. Les mots ENTER AMT s'affichent. Entrez le nombre de tasses (jusqu'à quatre) à l'aide d'une des touches de chiffres. Voici les durées de réchauffage des tasses de boissons :
  - 1 tasse : 1 min. 10 sec.
  - 2 tasses : 2 min. 10 sec.
  - 3 tasses : 3 min. 10 sec.
  - 4 tasses : 4 min. 10 sec.

2. Pour les grandes chopes de 10 à 12 oz, appuyez deux fois sur la touche BEVERAGE. Les mots ENTER AMT s'affichent. Entrez le nombre de chopes (jusqu'à quatre) à l'aide d'une des touches de chiffres. Voici les durées de réchauffage des chopes de boissons :

- 1 chope : 2min.
- 2 chopes : 3 min. 30 sec.
- 3 chopes : 5 min.
- 4 chopes : 6 min. 30 sec.

3. Le mot CODE s'affiche, ainsi que la durée correcte de cuisson selon le nombre de tasses ou de chopes. Appuyez sur la touche START/STOP. Le mot CODE clignote et le compte à rebours de la durée de réchauffage commence.

#### COMMANDE FROZEN DINNER (METS CONGELÉ)

Cette commande automatique est très utile pour réchauffer facilement les mets ou les repas congelés. Ce réglage peut prendre un peu plus de temps que la durée indiquée sur l'emballage du mets. Ceci est dû au temps d'attente incorporé au programme automatique. La séquence conçue spécialement pour le programme combine les temps de cuisson aux temps d'attente pour permettre de traiter une grande variété de mets congelés avec une seule commande.

1. POUR UN OU DEUX PETITS METS CONGELÉS (de 7 à 10 oz) : Appuyez une fois sur la touche FROZEN DINNER. Les mots ENTRE AMT s'affichent. Pour un seul mets congelé, n'entrez pas de chiffre et appuyez simplement sur la touche START/STOP. Pour deux mets congelés, appuyez sur la touche du chiffre 2. Voici les durées de cuisson des petits mets congelés :

- 1 mets : 4 min. 35 sec.
- 2 mets : 8 min. 15 sec.

2. POUR UN REPAS CONGELÉ (de 10 à 12 oz) : Appuyez deux fois sur la touche FROZEN DINNER. Ceci règle le programme du four pour une durée de neuf minutes.

3. Le mot CODE s'affiche, ainsi que la durée correcte de cuisson. Appuyez sur la touche START/STOP. Le mot CODE clignote et le compte à rebours de la durée de cuisson commence.

NOTA : Avec la commande FROZEN DINNER, le mot AMT ne s'affiche que lorsque vous appuyez une fois sur la touche pour les petits mets de 7 à 10 oz ; il vous reste à choisir 1 ou 2 mets. Si vous appuyez deux fois, le réglage se fait automatiquement pour un repas de 10 à 12 oz.

#### COMMANDE REHEAT (RÉCHAUFFAGE)

Cette commande permet de réchauffer une pleine assiette de restes réfrigérés avec de bons résultats. Son programme automatique a été conçu en fonction d'une vaste gamme de combinaisons de mets différents.

Rappelez-vous les conseils suivants lorsque vous préparez des mets à réchauffer :

La façon dont vous disposez les mets affecte l'uniformité de leur réchauffage. Tenez compte de la quantité et de la densité de chaque mets.

LES METS DENSES COMME LES VIANDES (cuites en tranches épaisses ou en gros morceaux) ET LES LÉGUMES COMPACTS comme les pommes de terre en purée ou gratinées devraient être disposés autour des assiettes et étalés pour être exposés le plus possible à l'énergie des micro-ondes.

#### LES GRANDES QUANTITÉS DE NOURRITURE

doivent être étalées pour recevoir plus d'énergie des micro-ondes que les petites quantités. En couvrant de sauce les tranches de viande sèches, on accélère leur réchauffage.

LES METS LÉGERS ET VAPOREUX comme le riz, les légumes en petits morceaux, les fruits de mer délicats, les petits morceaux de poulet ou les petites quantités de nourriture absorbent rapidement l'énergie des micro-ondes. Disposez-les au centre de l'assiette où ils seront un peu protégés de l'énergie des micro-ondes par les mets plus denses disposés autour.

LA TEMPÉRATURE DES METS détermine l'uniformité de leur réchauffage ensemble. Un légume en boîte (à la température de la pièce) chauffera plus vite qu'un mets qui vient du réfrigérateur.

LES PETITS PAINS, délicats, peuvent être ajoutés quelques secondes avant la fin.

RECOUVREZ l'assiette de papier ciré pour retenir la vapeur autour de la plupart des mets. Exception : Ne recouvrez pas les viandes saignantes ni les mets à la surface croustillante pour les réchauffer.

1. Appuyez sur la touche REHEAT. Le mot CODE et la durée 3 :15 (3 min. 15 sec.) s'affichent. Cette commande codée comprend trois niveaux de cuisson automatique permettant de faire cuire plusieurs genres et combinaisons de mets différents.
2. Appuyez sur la touche START/STOP. Le mot CODE clignote et le compte à rebours de la durée de cuisson commence.
3. Lorsque la durée de cuisson est écoulée, le mot END s'affiche. Appuyez sur la touche RESET ou ouvrez la porte pour faire disparaître le mot END et afficher l'horloge (si elle a été réglée).



1. Éteignez le four et débranchez la fiche de la prise murale avant le nettoyage.
2. Gardez l'intérieur du four propre. Lorsque des éclaboussures de nourriture ou des liquides renversés adhèrent à l'intérieur du four, essuyez-les avec un linge humide. Vous pouvez utiliser un détergent doux si le four devient très sale. Évitez d'utiliser les nettoyeurs en vaporisateurs ou les nettoyeurs puissants qui peuvent tacher, rayer ou ternir la surface de la porte.
3. Les surfaces extérieures doivent être nettoyées avec un linge humide. Pour éviter d'endommager les mécanismes à l'intérieur du four, évitez de laisser de l'eau s'infiltrer dans les ouvertures des événements.
4. Frottez les deux faces de la vitre avec un linge humide pour essuyer les éclaboussures.
5. Ne mouillez pas le panneau de commande. Nettoyez-le avec un linge doux humide. Lorsque vous nettoyez le panneau de commande, laissez la porte du four ouverte pour éviter de faire accidentellement démarrer le four.
6. Si de la condensation s'accumule à l'intérieur ou autour de la porte, essuyez-la avec un linge doux. Cela peut se produire normalement lorsque le four fonctionne dans un environnement très humide.
7. Il est parfois nécessaire de retirer le plateau de verre pour le laver. Lavez-le à l'eau chaude savonneuse ou au lave-vaisselle.
8. L'anneau de roulement et le plancher de la cavité doivent être nettoyés régulièrement pour éviter les frottements excessifs. Frottez simplement le plancher avec un détergent doux. L'anneau de roulement peut être lavé à l'eau chaude savonneuse ou au lave-vaisselle. Lorsque vous retirez l'anneau de roulement du plancher de la cavité, assurez-vous de le replacer dans la même position.
9. Chassez les mauvaises odeurs du four en combinant une tasse d'eau avec le jus et la pelure d'un citron dans un grand bol que vous faites chauffer au four cinq minutes. Frottez-en tout l'intérieur du four et asséchez-le avec un linge doux.
10. Lorsqu'il devient nécessaire de remplacer l'ampoule du four, consultez un détaillant pour la faire remplacer.

# Danby®

## GARANTIE LIMITÉE

### FOUR À MICRO-ONDES

Cet appareil de qualité est garanti exempt de tout vice de matière première et de fabrication, s'il est utilisé dans les conditions normales recommandées par le fabricant.

Cette garantie n'est offerte qu'à l'acheteur initial de l'appareil vendu par Danby ou par l'un des ses distributeurs agréés et elle ne peut être transférée.

#### CONDITIONS

La durée de garantie limitée est fonction de la marque de l'appareil acheté.

Les pièces électriques de ce produit qui s'avèrent défectueuses seront réparées ou remplacées, selon le choix du fabricant, à l'acheteur INITIAL, selon les conditions stipulées ci-dessous pour l'appareil. Les autres pièces courantes (lampes, pièces en verre, porcelaine, etc.) ont une garantie limitée de 90 jours.

**Identifier la marque de votre four à micro-ondes pour déterminer la garantie applicable.**

#### MARQUE

#### Danby (Station Technique)

Pièces

Douze (12) mois

Main-d'oeuvre

Douze (12) mois

Échange de pièces du magnétron - prolongé (sans main-d'oeuvre)

Soixante-cinq (65) mois

Le consommateur est tenu de livrer lui-même à la station technique tout appareil couvert par une garantie offrant un service en atelier. Les frais de transport de l'appareil sont la responsabilité du consommateur et ne sont pas couverts par cette garantie.

**Pour bénéficier du service sous garantie** S'adresser au détaillant qui a vendu l'appareil, ou à la station technique agréé de service Simplicity la plus proche où les réparations doivent être effectuées par un technicien qualifié. Si les réparations sont effectuées par quiconque autre qu'un dépôt de service agréé par Danby, ou à des fins commerciales, toutes les obligations de Danby en vertu de cette garantie seront nulles et non avenues.

#### EXCLUSIONS

En vertu de la présente, il n'existe aucune autre garantie, condition ou représentation, qu'elle soit exprimée ou tacite, de façon manifeste ou intentionnelle, par Danby Products Limitée (Canada) ou Danby Products Inc. (É.-U. d'A.) ou ses distributeurs agréés. De mêmes, toutes les autres garanties, conditions ou représentations, y compris les garanties, conditions ou représentations en vertu de toute loi régissant la vente de produits ou de toute autre législation ou règlement semblables.

En vertu de la présente, Danby Products Limitée (Canada) ou Danby Products Inc. (É.-U. d'A.) ne peut être tenue responsable en cas de blessures corporelles ou des dégâts matériels, y compris à l'appareil, quelle qu'en soit les causes. Danby ne peut pas être tenue responsable des dommages indirects dus au fonctionnement défectueux de l'appareil. En achetant l'appareil, l'acheteur accepte de mettre à couvert et de dégager Danby Products Limitée ou Danby Products Inc. (É.-U. d'A.) de toute responsabilité en cas de réclamation pour toute blessure corporelle ou tout dégât matériel causé par cet appareil.

#### CONDITIONS GÉNÉRALES

La garantie ou assurance ci-dessous ne s'applique pas si les dégâts ou réparations sont dus aux cas suivants:

- 1) Panne de courant;
- 2) Dommages pendant le transport ou le déplacement de l'appareil;
- 3) Alimentation électrique incorrecte (tension faible, câblage défectueux, fusibles incorrects);
- 4) Accident, modification, emploi abusif ou incorrect de l'appareil;
- 5) Utilisation dans un but commercial ou industriel;
- 6) Incendie, le dommage causé par l'eau, vol, guerre, émeute, hostilités, cas de force majeure (ouragan, inondation, etc.);
- 7) Visites d'un technicien pour expliquer le fonctionnement de l'appareil au propriétaire.

Une preuve d'achat doit être représentée pour toute demande de réparation sous garantie. Prière de garder le reçu. Pour faire honorer la garantie, présenter ce document à la station technique agréée ou consulter Danby à une des adresses ci-dessous:

Prière de remplir et de renvoyer la carte d'enregistrement dans les 30 jours pour valider la garantie.

Danby Products Limitée  
C.P. 1778, 5070 Whitelaw Road,  
Guelph, Ontario, Canada N1H 6Z9  
Téléphone: (519) 837-0920 Télécopieur: (519) 837-0449

Danby Products Inc.  
C.P. 669, 101 Bentley Court,  
Findlay, Ohio, U.S.A. 45839-0669  
Téléphone: (419) 425-8627 Télécopieur: (419) 425-8629

## MANUAL DEL PROPIETARIO

Precauciones para evitar la posibilidad de exposición a energía de microondas excesiva . . . . .	.34
INSTRUCCIONES IMPORTANTES DE SEGURIDAD . . . . .	.34
Instrucciones de puesta a tierra . . . . .	.35
Guía de utensilios . . . . .	.36
Normas para cocinar con microondas . . . . .	.36
ESPECIFICACIONES . . . . .	.37
ANTES DE LLAMAR PARA SOLICITAR MANTENIMIENTO . . . . .	.37
Nombres de partes . . . . .	.37
Tablero de control . . . . .	.38
INSTRUCCIONES de uso . . . . .	.39
1 CÓMO PONER EL RELOJ EN HORA . . . . .	.39
2 CÓMO GRADUAR EL TIMER (temporizador) . . . . .	.40
3 CÓMO GRADUAR EL TIEMPO DE COCCIÓN Y EN NIVEL DE POTENCIA . . . . .	.40
4 CÓMO GRADUAR "SPEED DEFROST" (descongelado rápido) . . . . .	.41
5 CÓMO GRADUAR "COOK BY WEIGHT" (cocción por peso) . . . . .	.42
6 CÓMO GRADUAR "DEFROST BY WEIGHT" (descongelado por peso) . . . . .	.43
7 CÓMO GRADUAR "SAFETY LOCK" (cerradura de seguridad) . . . . .	.44
USO DEL BOTÓN "ONE TOUCH" (botón sensible) . . . . .	.44
GRADUACIÓN PARA "POPCORN" . . . . .	.44
GRADUACIÓN PARA "BAKED POTATO" (papas horneadas) . . . . .	.45
GRADUACIÓN PARA "PIZZA" . . . . .	.45
GRADUACIÓN PARA "BEVERAGE" (bebidas) . . . . .	.45
GRADUACIÓN PARA "FROZEN DINNER" (comida congelada) . . . . .	.46
GRADUACIÓN PARA "REHEAT" (calentar) . . . . .	.46
LIMPIEZA Y CUIDADO . . . . .	.47
Garantía limitada del producto hornos de microondas . . . . .	.48

## INTRODUCCIÓN

Gracias por su compra del Horno Microondas Danby. Este Manual del Propietario le proporcionará una información valiosa y necesaria para el cuidado y mantenimiento adecuados de su nuevo aparato electrodoméstico. Si se mantiene en forma adecuada, este aparato Danby le brindará muchos años de funcionamiento sin problemas. Tenga la bondad de tomarse unos momentos para leer las instrucciones con atención y familiarizarse con todos los aspectos operativos de este aparato.

Para una referencia fácil, le sugerimos que adjunte una copia de su recibo/nota de venta a esta página, junto con la siguiente información que se encuentra en la placa de información del fabricante, en el panel posterior de la unidad.

Número de modelo: \_\_\_\_\_

Número de serie: \_\_\_\_\_

Fecha de compra: \_\_\_\_\_

Nombre y dirección del agente de ventas: \_\_\_\_\_

Esta información se necesitará en caso que requiera servicio para su unidad y/o para todo tipo de indagaciones. Para comunicarse con un Representante de Servicio al Cliente, llame por teléfono al Número Gratis de Danby.

**1-800-26- Danby®**

Guarde estas instrucciones para futura referencia.

## PRECAUCIONES PARA EVITAR LA POSIBILIDAD DE EXPOSICIÓN A ENERGÍA DE MICROONDAS EXCESIVA

- (a) No intente usar el horno con la puerta abierta, pues el hacerlo funcionar con la puerta abierta puede causar exposición dañina a energía de microondas. Es importante no malograr ni tratar de forzar los circuitos de seguridad.
- (b) No coloque ningún objeto entre la parte delantera del horno y la puerta, ni permita que se acumule suciedad o residuos de agentes de limpieza sobre las superficies de estanqueidad.
- (c) Si el horno está dañado, no lo haga funcionar. Es especialmente importante que la puerta del horno esté debidamente cerrada y que no haya daños a:
  1. la puerta (torcida o curvada)
  2. las bisagras y seguros (rotos o flojos)
  3. los cierres herméticos y superficies de estanqueidad
- (d) El horno no debe ser ajustado ni reparado por nadie que no sea personal de servicio debidamente calificado.

## INSTRUCCIONES IMPORTANTES DE SEGURIDAD

Cuando use un artefacto eléctrico, debe tomar precauciones básicas de seguridad, entre las que se incluyen las siguientes:

**ADVERTENCIA:** Para disminuir el riesgo de quemaduras, choque eléctrico, incendio, lesiones personales o exposición a energía de microondas excesiva:

1. Antes de usar el artefacto eléctrico, lea todas las instrucciones.
2. Lea y siga las precauciones para evitar la posibilidad de exposición a energía de microondas excesiva arriba citadas.
3. El horno debe ser ubicado sobre una encimera que esté a una altura mínima de 920 mm (36 pulgadas) del piso. Para que el horno funcione correctamente, debe haber suficiente circulación de aire. Debe haber un espacio de 20 cm (7.8") encima del horno, 10 cm (4") en la parte posterior y 5 cm (2") a ambos lados.  
No cierre  
ni bloquee ninguna de las aberturas del artefacto eléctrico.  
No le quite las patas.
4. Este artefacto eléctrico debe estar puesto a tierra. Enchúfelo solamente a tomacorriente que estén debidamente puestos a tierra. Lea las instrucciones de puesta a tierra, en la página 2.
5. Algunos productos, como: huevos enteros y envases sellados – como tarros de vidrio cerrados – pueden explotar y no deben calentarse en este horno.
6. Use este artefacto eléctrico sólo para el uso para el que fue diseñado, como se describe en este manual. No use en este artefacto productos o vapores químicos corrosivos. Este tipo de horno ha sido diseñado para calentar, cocer o secar alimentos. No ha sido diseñado para uso industrial o en laboratorios.
7. Como ocurre con todos los artefactos eléctricos, es necesario vigilar de cerca a los niños cuando los usan.
8. Para disminuir el riesgo de incendio dentro del horno:
  - a. No cueza demasiado los alimentos. Si para facilitar la cocción coloca dentro del horno: papel, plástico u otros materiales combustibles, vigílelo de cerca.
  - b. Antes de colocar bolsas de papel o plástico dentro del horno, quíteles las ataduras de alambre.
  - c. Si los materiales que están dentro del horno se incendian, mantenga el horno cerrado, apáguelo y desconecte el cordón eléctrico o desconecte la electricidad en el tablero de fusibles o de disyuntores.
  - d. No utilice el espacio interior del horno como lugar de almacenamiento. Cuando no lo esté usando, no deje en su interior productos de papel, utensilios de cocina ni alimentos.
9. Cuando caliente bebidas en el microondas tenga cuidado al agarrar el recipiente porque el líquido puede borbotear con efecto retardado.
10. No fría alimentos en abundante aceite dentro del microondas. Es difícil controlar la grasa, que puede crear el riesgo de incendio.
11. Perfore las cáscaras gruesas como las de las papas, zapallos enteros, manzanas y castañas, antes de cocer.
12. Para evitar quemaduras, se debe revolver o sacudir el contenido de los biberones y de los platos de comida de bebés, y controlar su temperatura antes servirlo.

## IMPORTANT SAFETY INSTRUCTIONS

13. Los utensilios de cocina pueden calentarse por la propagación del calor de los alimentos. Es posible que necesite usar agarraderas para asir el utensilio.
14. No cubra ni bloquee ninguna de las aberturas del artefacto eléctrico.
15. No guarde ni use este artefacto eléctrico al aire libre. No use este producto cerca del agua como, por ejemplo, cerca del fregadero de la cocina, un sótano húmedo, o cerca de una piscina, y cosas parecidas.
16. No use este artefacto eléctrico si tiene el cordón o enchufe dañado, si no está funcionando correctamente o si ha sido dañado o se le ha dejado caer.
17. No sumerja el cordón ni el enchufe en agua. Mantenga el cordón alejado de superficies calientes. No deje que el cordón cuelgue por el borde de una mesa o un mueble.
18. Sólo utilice termómetros que hayan sido diseñados específicamente para ser usados en hornos de microondas.
19. No haga funcionar ningún artefacto eléctrico para calentar o cocinar debajo de este horno.
20. Antes de hacer funcionar el horno asegúrese de que la bandeja de vidrio y aro con rueditas estén en su lugar.
21. ADVERTENCIA: Es peligroso para cualquier persona que no esté capacitada para efectuar un trabajo de mantenimiento o reparación que requiera sacar cualquiera de las cubiertas de protección contra la exposición a la energía de microondas.

## INSTRUCCIONES DE PUESTA A TIERRA

Este artefacto eléctrico debe ser puesto a tierra. En caso de cortocircuito eléctrico, el hecho de estar puesto a tierra disminuye el riesgo de choque eléctrico pues provee a la corriente eléctrica de un cable de escape.

ADVERTENCIA: El uso incorrecto del enchufe de puesta a tierra, puede crear un riesgo de choque eléctrico.

Requisitos sobre la electricidad: Los requisitos sobre la electricidad son: sólo CA de 120 voltios, 60 Hz, 15 amperios. Se recomienda que use un circuito separado que sólo suministre electricidad al horno. El horno está equipado con un enchufe de puesta a tierra con tres patas. Debe enchufarse a un tomacorriente que esté puesto a tierra correctamente.

A fin de disminuir el riesgo de enredarse o tropezarse con un cordón largo, se suministra un cordón eléctrico corto.

### Cordón de prolongación

Si es necesario utilizar un cordón de prolongación, sólo utilice uno con tres cables que tenga un enchufe de puesta a tierra de tres patas y un tomacorriente con tres ranuras en el que se pueda conectar el enchufe del horno de microondas.

Notas:

1. Si tiene alguna pregunta sobre las instrucciones de puesta a tierra o sobre la electricidad, consulte con un electricista calificado o persona de mantenimiento.
2. Danby ni el distribuidor pueden aceptar ningún tipo de responsabilidad por daños al horno o lesiones personales que sean causados por no observar los correctos procedimientos de instalación eléctrica.

### Interferencia de radio o TV

En caso de que el microondas cause interferencia a su radio o televisor, verifique que el horno de microondas esté conectado a un circuito diferente, cambie la ubicación de su radio o televisor para colocarlo lo más alejado del horno que sea posible o revise la ubicación y la señal de la antena de recepción.

## GUÍA DE UTENSILIOS

1. El material ideal para los utensilios de microondas es transparente a las microondas, deben permitir que la energía pase a través del envase y caliente los alimentos.
2. Las microondas no pueden penetrar los metales, así que no deben usarse utensilios ni platos con adornos metálicos.
3. Cuando cocine con microondas, no utilice productos de papel reciclado, pues es posible que contengan fragmentos que pueden causar chispas y/o incendio.
4. Es preferible usar platos redondos que ovalados, pues las esquinas permiten una menor exposición a las microondas. La comida que se cuece en las esquinas puede cocerse excesivamente.

La siguiente tabla puede servirle como guía general para elegir los utensilios adecuados

Batería de cocina	Para cocinar con microondas
Vidrio resistente al calor	Si
Vidrio no resistente al calor	No
Cerámica resistente al calor	Si
Platos de plástico para microondas	Si
Papel de cocina	Si
Bandejas de metal	No
Rejillas de metal	No
Lámina de aluminio, envases de lámina de aluminio	Si

## NORMAS PARA COCINAR CON MICROONDAS

Cuando se cocina en microondas, la velocidad y uniformidad de cocción es afectada por los mismos alimentos.

Las microondas penetran los alimentos hasta una profundidad de 1.8 a 3.8 cm (3/4 a 1 1/2 pulgadas) en todas las superficies.

El interior de alimentos con diámetro mayor a 5 cm (2 pulgadas), se calienta por conducción. Los alimentos con alto contenido de agua, grasa y azúcar, responden rápidamente a la energía de microondas.

**Cantidad.** El tiempo de cocción con microondas es directamente proporcional a la cantidad de alimentos que hay dentro del horno pues la energía es absorbida por los mismos alimentos.

**Tamaño.** Los trozos de menor tamaño se cuecen más rápidamente que los de mayor tamaño. Para una cocción más rápida, corte los trozos a un tamaño menor que 5 cm (2 pulgadas), para que las microondas puedan penetrar hasta el centro desde todos lados. Para una cocción más uniforme, corte todos los trozos del mismo tamaño.

**Forma.** Los alimentos que tienen forma irregular, como el pescado o las pechugas de pollo, demoran más en cocinar en las partes de mayor grosor. Para lograr que se cocinen, ponga las partes más gruesas en la parte exterior del plato, donde recibirán más energía.

**Temperatura inicial.** Los alimentos congelados o refrigerados demoran más en calentarse que los que están a temperatura ambiente.

**Contenido de humedad.** La humedad atrae a las microondas. Los alimentos con humedad natural se cocinan mejor con microondas que los secos. Añádale una mínima cantidad de líquido a los alimentos húmedos, pues el exceso de agua disminuye la cocción. Perfore la cáscara de los alimentos de cáscara gruesa como las papas o los zapallos, para que la humedad interior pueda escapar.

**Grasa y huesos.** Las vetas de grasa dentro de la carne, o una capa fina y uniforme de grasa en un asado, aceleran la cocción. Las zonas grasosas grandes, o el exceso de grasa que chorrea al plato absorbe energía que debería cocer la carne, y disminuye la velocidad de cocción. Los huesos del centro no afectan la cocción, pero los huesos en los costados de la carne propagan el calor hacia las zonas aledañas.

**Densidad.** La profundidad de penetración de las microondas varía según la densidad de los alimentos. Los porosos, como la carne molida, o el puré de papas, se cocinan más rápidamente que los densos, como la carne o papas enteras.

## ESPECIFICACIONES

Consumo de energía:	120 V ~60 Hz, 1500 W
Potencia de salida:	900 W
Frecuencia de trabajo:	2450 MHz
Dimensiones exteriores: (diámetro)	12" (alto) x 220" (ancho) x 15 7/16" (diámetro) 305 mm (alto) x 508 mm (ancho) x 390 mm (diámetro)
Dimensiones del interior del horno: (diámetro)	8 7/16" (alto) x 13 3/4" (ancho) x 13" (diámetro) 215 mm (alto) x 350 mm (ancho) x 530 mm (diámetro)
Capacidad del horno:	0.9 pies <sup>3</sup>
Uniformidad de cocción:	Sistema de bandeja giratoria (12 3/8" / 314 mm)
Peso neto:	Aproximadamente: 34.4 lb x 15.6 kg

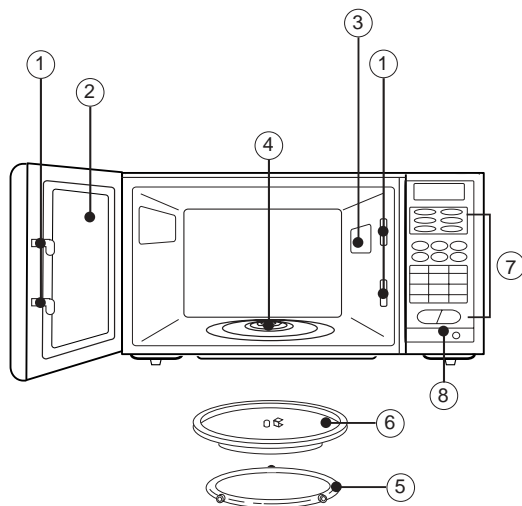
## ANTES DE LLAMAR PARA SOLICITAR MANTENIMIENTO

Si el horno deja de funcionar:

- Revise para constatar que el horno esté bien enchufado. Si no lo está, desconecte el enchufe del tomacorriente, espere 10 segundos y vuelva a conectarlo.
- Revise si hay algún fusible quemado del circuito, o un disyuntor desactivado. Si están funcionando debidamente, pruebe el tomacorriente con otro artefacto eléctrico.
- Revise si el tablero de control está correctamente programado y el temporizador está graduado.
- Revise si la puerta está bien cerrada y el mecanismo de cierre está trabado. Si no lo está, la energía de microondas no circulará hacia el horno.

SI NINGUNA DE LAS MEDIDAS ANTERIORES RESUELVE EL PROBLEMA, COMUNÍQUESE CON UN TÉCNICO CALIFICADO. NO TRATE DE AJUSTAR NI REPARAR EL HORNO USTED MISMO.

## NOMBRES DE PARTES



- Sistema de cierre de seguridad de la puerta
- Ventana del horno
- Una válvula de purga de aire del horno de microondas
- Eje de la bandeja giratoria
- Aro con rueditas
- Bandeja de vidrio
- Tablero de control
- Botón de seguro de la puerta

## TABLERO DE CONTROL

### VISUALIZADOR

Una vez graduado, muestra el reloj/temporizador, indica la función de cocción (COCCIÓN, DESCONGELADO, etc.) y muestra indicadores de palabras (que señalan qué botón tocar) para facilitar la graduación del horno.

### BAKED POTATOES (PAPAS HORNEADAS).

Programa automático diseñado para mejor cocción de papas con microondas. Para papas pequeñas (4-6 onzas) toque una vez, toque AMOUNT (cantidad) (1 a 4), luego START (arrancar). Para papas grandes (8 a 10 onzas) toque dos veces el botón, toque AMOUNT (cantidad) (1 a 4), luego, START (arrancar).

### BOTÓN POPCORN

Graduación automática de un paso para una bolsa de 1/2 - 3 onzas de popcorn para microondas. Toque el botón POPCORN, luego START (arrancar). Para reposicionar el control para bolsas de diferente peso en onzas, lea las páginas sobre "POPCORN".

### BOTÓN PIZZA

Programa automático diseñado para pizzas. Toque una vez START (arrancar) para calentar una porción; toque el botón dos veces, luego START (arrancar) para hornear una pizza entera congelada.

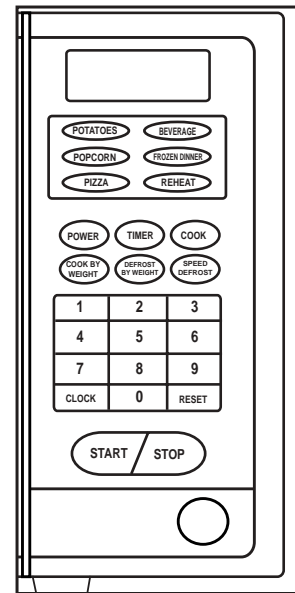
### BOTÓN BEVERAGES (BEBIDAS)

Graduación automática para tazas o jarros de bebidas calientes (te/café). Para tamaño taza (5 – 7 onzas), toque una vez el botón una vez, toque AMOUNT (CANTIDAD) (1-4), luego START (arrancar). Para jarros más grandes (8 – 11 onzas), toque el botón dos veces, toque AMOUNT (CANTIDAD) (1 - 4), luego START (arrancar).

### BOTÓN REHEAT (CALENTAR)

Programa automáticamente el horno para calentar uniformemente un plato de comida. Toque el REHEAT (calentar), luego START (arrancar).

(Para mayores detalles lea también las siguientes páginas)



### BOTÓN FROZEN DINNER (comida congelada)

Programa automático diseñado para reconstituir mejor una variedad de platos de entrada y platos principales de comida congelada de una porción. Para porciones de entrada individuales más pequeñas (7a 9 onzas) toque una vez, toque AMOUNT (cantidad), luego START (arrancar). Para un plato principal individual de comida congelada (10 a 12 onzas) más grande (tipo comida preparada), toque el botón dos veces, luego START (arrancar).

### BOTONES NUMÉRICOS

Tóquelos para graduar la cocción, la velocidad de descongelación, el temporizador, y el reloj.



#### BOTÓN POWER (potencia)

El horno calienta automáticamente en el nivel alto de potencia. Para un menor nivel de potencia, gradúe el tiempo de cocción, toque POWER (potencia) y entre el número (1-9) para poner un nivel menor de potencia.

#### BOTÓN TIMER (temporizador)

Temporizador independiente de cocina. Ponga el tiempo aún cuando el horno esté funcionando. Toque el botón TIMER (temporizador), ponga el tiempo, luego toque START (arrancar). Toque RESET (reposicionar) para cancelar.

#### BOTÓN COOK (cocción)

Cocine durante cierto tiempo en un nivel de potencia, luego cambie automáticamente a otro nivel de potencia durante el tiempo restante de cocción.

#### COOK BY WEIGHT (cocción por peso)

Toque el botón COOK (cocción), entre el peso exacto de la carne, luego toque START (arrancar). Luego de una cocción parcial, el horno se detiene, dejando indicado el tiempo en el visualizador. Cuando el horno se detenga después de cocer parcialmente, voltee la carne. Vuelva a tocar START (arrancar) para terminar.

#### DEFROST BY WEIGHT (descongelado por peso)

Descongelación automática para porciones grandes de alimentos. Controla en nivel de potencia para descongelar sin calentar excesivamente la parte exterior.

#### SPEED DEFROST (descongelado rápido)

Programa automáticamente los niveles más bajos de potencia para descongelar uniformemente. Toque SPEED DEFROST (descongelado rápido), ponga el tiempo y toque START (arrancar).

#### CLOCK (reloj)

Para poner el reloj en hora, toque el botón una vez, toque los botones numéricos y START (arrancar).

#### BOTÓN RESET (reposición)

Toque para borrar la visualización del tiempo no usado después de cocinar, también borra la información del temporizador.

#### BOTÓN START (arrancar) / STOP (detener)

Tóquelo como paso final en la programación del horno. Tóquelo para detener la cocción mientras el horno se encuentra funcionando (vuelva a tocarlo para continuar durante el tiempo que aparece en el visualizador). No detiene al temporizador.

## INSTRUCCIONES DE FUNCIONAMIENTO

### 1. CÓMO PONER EL RELOJ EN HORA

A. Cómo poner el reloj en hora cuando el horno está conectado al tomacorriente.

- Cuando recién enchufe el horno al tomacorriente, toque una vez el botón CLOCK (reloj), el visualizador indicará: ENTER TIME (entre la hora)
- Entre la hora correcta tocando los botones numéricos apropiados. Debe poner por lo menos tres cifras (una para la hora y dos para los minutos). Cuando los minutos sean menor que 10, entre 0 antes de la cifra de minutos. Por ejemplo: las 2 y 5 minutos, ponga 2:05. Los dos puntos centellearán entre las cifras de la hora y las de los minutos. Si prefiere que no se visualice el reloj, ponga el reloj en 00:00 y sólo se verán los dos puntos.
- Para fijar la hora toque START (arrancar) / STOP (detener). Los dos puntos dejarán de centellear y el reloj comenzará a llevar la hora actual. Después de poner el reloj en hora, siempre aparecerá la palabra CLOCK (reloj) en el visualizador, a menos que el horno este funcionando en la función de cocción.

### B. Cómo cambiar la hora

- Toque una vez el botón CLOCK (reloj), el visualizador leerá: ENTER TIME (entre la hora)
- Entre la hora correcta tocando los botones numéricos apropiados. Debe poner por lo menos tres cifras (una para la hora y dos para los minutos). Cuando los minutos sean menor que 10, entre 0 antes de la cifra de minutos. Por ejemplo: para 5 minutos después de las 2, ponga 2:05. Los dos puntos centellearán entre las cifras de la hora y las de los minutos. Si prefiere que no se visualice el reloj, ponga el reloj en 00:00 y sólo se verán los dos puntos.
- Para fijar la hora toque START (arrancar) / STOP (detener). Los dos puntos dejarán de centellear y el reloj comenzará a llevar la hora actual. Después de poner el reloj en hora, siempre aparecerá la palabra CLOCK (reloj) y la hora del día en el visualizador, a menos que el horno este funcionando en la función de cocción.

C. Observaciones sobre la puesta en hora del reloj.

- SI COMENTE UN ERROR al poner la hora correcta, arranque el horno oprimiendo dos veces el botón CLOCK (reloj).
- PARA VOLVER A VISUALIZAR LA HORA MIENTRAS ESTÁ COCINANDO, oprima el botón CLOCK (reloj). Aparecerá la hora durante tres segundos antes de volver a visualizar el tiempo de cocción en cuenta regresiva.
- EN CASO DE INTERRUPCIÓN EN EL SUMINISTRO ELÉCTRICO, cuando se reinicie el suministro, el control estará en el modo de reloj. Siga las instrucciones para poner el reloj en hora.

• SEÑALES SONORAS DURANTE LA PROGRAMACIÓN DEL HORNO

UNA SEÑAL: El horno acepta la entrada. La información ha sido entrada en la secuencia correcta.

DOS SEÑALES: El horno no acepta la entrada. Revise y trate de nuevo.

2. CÓMO PROGRAMAR EL TIMER (temporizador)

- A. El temporizador funciona independientemente de la cocción y se puede programar en cualquier momento para distintas tareas de la cocina. Use el temporizador del horno aunque el horno también esté cronometrando una función de cocción del microondas. Para graduar el temporizador haga lo siguiente:
- Toque una vez el botón TIMER (temporizador). En el visualizador aparecerá: "ENTER TIMER TIME" (entre el tiempo para el temporizador). Si está usando el TIMER (temporizador) mientras está cocinando en el horno, la cuenta regresiva de cocción será reemplazada momentáneamente en el visualizador mientras esté programando el temporizador.
  - Entre el tiempo que desea programar tocando los botones numéricos. Las cifras indican: minutos y segundos, y se programa de izquierda a derecha. Entre una cifra (un 5 para 5 segundos) o hasta cuatro cifras (2405 para: 24 minutos, 5 segundos). En el visualizador permanecerá el mensaje: ENTER TIME (entre el tiempo).
  - Toque el botón START (arrancar) / STOP (detener). En el visualizador comenzarán a centellear las palabras: "TIMER" (temporizador), y empezará la cuenta regresiva. Si está usando el temporizador mientras está cocinando en el horno: en el visualizador comenzará a centellear la palabra: "TIMER" (temporizador) y la cuenta regresiva se leerá durante 3 segundos, antes de que vuelva a aparecer el tiempo de cocción.
- B. Observaciones sobre la programación del temporizador del horno.
- PARA DETENER O REPOSICIONAR EL TIMER (temporizador) cuando no se esté cocinando, toque el botón RESET (reposicionar).

- CUANDO programe el TIMER (temporizador) DURANTE LA COCCIÓN tenga cuidado de programar correctamente el temporizador. Una vez que haya programado el temporizador durante la cocción, no se puede volver a programarlo sin reposicionar al mismo tiempo la función de cocción. El tocar el botón RESET (reposicionar) no le permitirá cambiar la programación del temporizador, mientras esté cocinando.
- Cuando se llegue al final del tiempo, oirá una señal sonora larga y el temporizador desaparecerá del visualizador. Si el horno no está cocinando, volverán al visualizador: "CLOCK" (reloj) y la hora del día (si se ha puesto en hora). Si el horno está cocinando, oirá una señal sonora larga y TIMER (temporizador) desaparecerá del visualizador mientras el horno sigue cocinando durante la cuenta regresiva.

3. CÓMO PROGRAMAR EL TIEMPO DE COCCIÓN Y EL NIVEL DE POTENCIA

A. RÁPIDA Y SENCILLA

Cuando cocine al 100% de la potencia, simplemente programe el tiempo de cocción tocando los botones numéricos (por ejemplo, para 3 minutos toque: 3-0-0) y START (arrancar). El nivel de potencia al 100% se configura automáticamente. Para empezar la cocción con 1 paso, no tiene que tocar el botón COOK (cocción) ANTES DE PROGRAMAR EL TIEMPO.

B. PARA COCINAR EN NIVELES MÁS BAJOS DE POTENCIA

Después de programar el tiempo de cocción, toque el botón POWER (potencia), luego una cifra de un dígito que represente el nivel de potencia que desea. Toque el botón START (arrancar). Como el horno asume automáticamente 100% de potencia, debe cambiar el nivel de potencia (cuando se desee) después de programar el tiempo de cocción.

USE ESTAS CIFRAS DE UN DÍGITO para representar los niveles de potencia

Cifra	% de potencia
9	90%
8	80%
7	70%
6	60%
5	50%
4	40%
3	30%
2	20%
1	10%

Si está cocinando a un nivel de potencia menor y desea volver al 100% de potencia, oprima dos veces del botón POWER (potencia)

## C. COCCIÓN EN DOS ETAPAS

La función de cocción en dos etapas le permite cocinar una comida en dos niveles diferentes de potencia con una programación para sola una vez. Por ejemplo: el arroz debe ser cocido en dos etapas. La primera etapa comienza a cocinar el arroz al 100% de potencia durante 5 minutos; la segunda etapa completa la cocción en 10 o 12 minutos a un nivel de potencia del 50%.

### PROGRAMACIÓN DE LA ETAPA 1:

Asumiendo 100% de potencia, sólo toque el botón numérico indicado más arriba en la programación "rápida y sencilla" para el tiempo correcto de la primera etapa. (La mayoría de las recetas de cocción de dos etapas comienzan con una cocción al 100% de potencia, pero usted puede cambiar también los niveles de potencia después de programar el tiempo de cocción).

NO TOQUE EL BOTÓN START (arrancar)

### PROGRAMACIÓN DE LA ETAPA 2:

Toque el botón COOK (cocción), luego entre el tiempo de cocción apropiado y (un menor) nivel de potencia.

La mayoría de las recetas de cocción de dos etapas usan un menor nivel de potencia en la segunda etapa). Toque el botón START (arrancar). Comienza la primera etapa de cocción.

Durante la etapa 1 de cocción aparece en el visualizador la palabra MEM (memoria), indicando que el horno recuerda que ha sido programado un segundo paso (etapa 2). Una vez que haya concluido la etapa 1, se oirán dos señales sonoras, indicando el comienzo de la etapa 2.

UNA VEZ QUE HAYA CONCLUIDO EL TIEMPO TOTAL, se oirán 4 señales sonoras largas y en el visualizador aparecerá la palabra END (fin), antes de comenzar otra función de cocción.

LO SIGUIENTE ES NORMAL: La parte exterior del horno está tibia. Es posible que, después de haber cocinado, se escape vapor del horno o que se observe la presencia de humedad. Cambio en la intensidad de la luz interior y cambio en el sonido del ventilador cuando se programen niveles menores de potencia. Es posible que se note interferencia de radio o televisión (similar a la interferencia captada en otros artefactos eléctricos pequeños). Esto no es indicación de problema alguno.

## 4. PROGRAMACIÓN DE "SPEED DEFROST" (descongelado rápido)

A. El descongelado rápido programa la potencia del horno de microondas para el descongelado más rápido de alimentos de tamaño pequeño a mediano. "Descongelado rápido" opera junto con el temporizador, así que usted debe saber cuánto tiempo programar. Los tiempos de descongelación de la función de

"descongelado rápido" es por lo general tan rápido que usted se puede quedar cerca del horno y vigilar los alimentos mientras se descongelan. En el caso de muchos alimentos es conveniente voltearlos y moverlos o dividirlos (si trozos separados se han congelado pegados). Esta vigilancia acelera el proceso de descongelado y lo hace más uniforme.

¿Cómo sé si programar la descongelación por velocidad o por peso?"

Esto se establece por el tipo de alimento que se va a descongelar y el grado de atención que se debe prestar a los alimentos. El programa de "DEFROST BY WEIGHT" (descongelado por peso) codificado automáticamente ha sido diseñado específicamente para piezas de carne para asar densas y grandes, que deben descongelarse lentamente para que el proceso sea uniforme. El "DEFROST BY WEIGHT" (descongelado por peso) sólo requiere que voltee la carne.

- Toque el botón SPEED DEFROST (descongelado rápido). En el visualizador aparecen las palabras: ENTER DEF TIME (entre el tiempo de descongelado).
- Entre el tiempo deseado tocando los botones numéricos adecuados. El temporizador digital programa los minutos y segundos de izquierda a derecha, de manera que se puede programar una cifra de un dígito (un 5 para 5 segundos) o hasta cuatro cifras (2405 para: 24 minutos, 5 segundos). En el visualizador permanecerá el mensaje: ENTER DEF TIME (entre el tiempo de descongelado).
- Toque el botón START (arrancar) / STOP (detener). En el visualizador comenzarán a centellear las palabras: "DEF" (descongelado), y el tiempo de descongelado empezará la cuenta regresiva. UNA VEZ QUE HAYA CONCLUIDO EL TIEMPO TOTAL, se oirán 4 señales sonoras largas y en el visualizador aparecerá la palabra END (fin). Toque el botón RESET (reposicionar) o abra la puerta para borrar la palabra END (fin) antes de comenzar otra función de cocción.

B. Para programar en secuencia "SPEED DEFROST" (descongelado rápido) y cocción de una o dos etapas. Después de programar el SPEED DEFROST (descongelado rápido), se puede programar el horno para cambiar automáticamente a cocción de una o de dos etapas.

Esta característica es útil para alimentos congelados, guisos y otros similares, que pueden revolveirse mientras se reconstituyen. Después de descongelar los alimentos, cocínelos al nivel de potencia 100%, luego disminuya a niveles menores hasta que caliente al punto de borbotar. Revuelva de cuando en cuando para despedazarlos y redistribuir el calor.

- Para descongelar y cocinar en una etapa, siga los pasos arriba indicados. Antes de tocar el botón START (arrancar), toque el botón COOK (cocción), usando los botones numéricos entre el tiempo y, si desea, la potencia. Luego toque el botón START (arrancar), en el visualizador aparece MEM hasta que el horno cambie (dos señales sonoras) a COOK (cocción). Lea en la página 9 información más detallada sobre cocción por etapas.
- Para descongelar y cocinar en una etapa, siga los pasos arriba indicados. Antes de tocar el botón START (arrancar), entre dos programas de COOK (cocción), usando una potencia diferente (por lo general, menor) para la segunda COOK (cocción). En el visualizador MEM tanto durante descongelar como COOK (cocción) en una etapa. El horno emitirá dos señales sonoras cuando cambie de etapa.

INTERRUPCIÓN DE DESCONGELADO (para revolver, voltear u otro motivo). Toque el botón START (arrancar) / STOP (detener) o abra la puerta del horno. En el visualizador aparecerá el tiempo restante; vuelva a cerrar la puerta y vuelva a encender para continuar. O si no es necesario continuar descongelando, toque el botón RESET (reposicionar) y se borrará el visualizador.

#### 5. CÓMO PROGRAMAR "COOK BY WEIGHT (cocción por peso)"

Esta característica se usa para asar carnes en el microondas. Sus tiempos y niveles de potencia programados dan mejores resultados que hornear en microondas en un solo nivel de potencia, y es más fácil cocinar carnes con esta programación que con las instrucciones de los libros de recetas porque no es necesario que usted calcule el tiempo de cocción en "minutos por libra". Una vez entrado el código (que le indica al horno el tipo de carne) y el peso, el horno calcula el tiempo de cocción.

La carne debe estar descongelada y a una temperatura de refrigeración que corresponda con los tiempos programados en este código.

La carne de asado con un peso aproximado de 3 a 5 libras se cocina mejor. El código de COOK BY WEIGHT (cocción por peso) permite una graduación menor que 3 libras, pero no mayor que 5 libras. Dependiendo del código, dos señales sonoras indican un error en la graduación de un peso demasiado elevado.

"COOK BY WEIGHT" (cocción por peso) programa al horno para detenerse luego de una cocción parcial, para que el otro lado de la carne no se cocine demasiado. Voltee la carne, luego toque el botón START (arrancar) para continuar la cocción.

- Toque el botón COOK BY WEIGHT (cocción por peso). En el visualizador aparecen las palabras ENTER CODE (entre el código).
- Seleccione el código de 1 a 3, deseado. En el marco de la puerta (abra la puerta para examinarlo) y la tabla de la derecha se describen los tipos de alimentos para cada código. Toque el botón numérico adecuado para entrar un código de un dígito.
- Verifique el peso de la carne. El peso debe ser en libras y onzas. Si la etiqueta sólo indica el peso en libras, convierta la fracción de libra a onzas utilizando la tabla de la página 43.
- Entre el peso. En el visualizador aparece la palabra ENTER (entrar) y en las posiciones donde deben entrarse las libras (LB) y onzas (OZ), aparecen ceros. Tan pronto se haya programado todas estas cifras, en el visualizador aparecerá el tiempo de cocción. Los pesos en onzas menores que 10 deben estar precedidos de un 0. Tan pronto se haya programado estas tres cifras, en el visualizador aparecerá el tiempo de cocción.
- Toque el botón START (arrancar) / STOP (detener) para empezar a hornear, en el visualizador aparece centelleando la palabra CODE (código) mientras que corre la cuenta regresiva. La luz interior se enciende y se oye un sonido parecido al de un ventilador. El horno emite una señal sonora después de haber transcurrido aproximadamente la cuarta parte del tiempo. Si es necesario, examine los bordes delgados de la carne o pollo para protegerlo.
- Luego de una cocción parcial, el horno emite dos señales sonoras y se detiene. La luz interior se apaga pero el tiempo sigue apareciendo en el visualizador. El horno se ha detenido para evitar que el otro lado de la carne se cocine demasiado antes de voltearla. Luego de voltear la carne, toque el botón START (arrancar) para continuar la cocción durante el tiempo que aparece en el visualizador.
- Luego de cocinar durante el tiempo total, oír 4 señales sonoras largas y en el visualizador aparece END (fin). Toque el botón RESET (reposicionar) o abra la puerta para borrar la palabra END (fin) antes de comenzar otra función de cocción. Deje reposar el asado durante algunos minutos antes de cortarla

Es posible que note cambios en la intensidad de luz y/o en el sonido del ventilador cuando el horno cambie de nivel de potencia, lo que es normal.

## DESCRIPCIÓN DE CÓDIGOS PARA LA COCCIÓN POR PESO

Código	Tipo de asado	Temperatura interna después de reposar	Peso máximo recomendado
1	Carne de vaca asada	Rare - 140 grados	5 libras
2	Carne de vaca y de cordero	Medium - 160 grados	5 libras
3	Carne de chanco	Well done - 170 grados	5 libras

## CONVERSIÓN DE FRACCIÓN DE LIBRAS A ONZAS

La mayoría de los paquetes de carne sólo muestran el peso en libras. Para usar la característica de COOK BY WEIGHT (cocción por peso), para convierta las fracciones de libra a onzas usando la siguiente tabla.

Fracción de libra	Onzas
Menor que 0.03	0
0.03 a 0.09	1
0.10 to 0.15	2
0.16 to 0.21	3
0.22 to 0.27	4
0.28 to 0.34	5
0.35 to 0.40	6
0.41 to 0.46	7
0.47 to 0.53	8
0.54 to 0.59	9
0.60 to 0.65	10
0.66 to 0.71	11
0.72 to 0.78	12
0.79 to 0.84	13
0.85 to 0.90	14
0.91 to 0.97	15
Mayor que 0.97	Vaya al siguiente par

### 6. Graduación de "DEFROST BY WEIGHT" (descongelado por peso)

Gradúe DEFROST BY WEIGHT (descongelado por peso) para cualquier peso hasta 6 libras. Como es una manera de descongelar más delicada que "descongelado rápido", es particularmente buena para carnes que son densas en el centro, pero vulnerables a cocinarse demasiado en los bordes. Si elige DEFROST BY WEIGHT (descongelado por peso) para pequeñas cantidades, como una libra de carne molida o de langostinos, el descongelado será más uniforme que la graduación de SPEED DEFROST (descongelado rápido). Para trozos grandes de carne de asado, elija DEFROST BY WEIGHT (descongelado por peso).

- Verifique el peso de la carne. El peso debe ser en libras y onzas. Si la etiqueta sólo indica el peso en libras, convierta la fracción de libra a onzas utilizando la tabla de la página 43. Desempaquete la carne antes de descongelarla.
- Toque DEFROST BY WEIGHT (descongelado por peso). En el visualizador aparece la palabra ENTER (entrar) y en las posiciones donde deben entrarse las libras (LB) y onzas (OZ), aparecen ceros. LB centelleará hasta que entre el peso en libras tocando los botones numéricos correspondientes. Cuando haya entrado en peso en libras LB dejará de centellear y OZ centelleará. Tan pronto se haya programado todas estas cifras, en el visualizador aparecerá el tiempo de cocción. Los pesos en onzas menores que 10 deben estar precedidos de un 0. Tan pronto se haya programado estas tres cifras, en el visualizador aparecerá el tiempo de cocción.
- Toque el botón START (arrancar) / STOP (detener) para empezar a hornear, en el visualizador aparece centelleando la palabra CODE (código) mientras que corre la cuenta regresiva. La luz interior se enciende, la bandeja gira y se oye un sonido parecido al de un ventilador.
- Luego de una cocción parcial, el horno emite dos señales sonoras y se detiene. La luz interior se apaga pero el tiempo sigue apareciendo en el visualizador. Esta pausa es para permitirle voltear la carne, volver a distribuirla o cubrirla. Luego de atender la carne, toque el botón START (arrancar) para continuar la cocción durante el tiempo que aparece en el visualizador.
- Luego de cocinar durante el tiempo total, oír 4 señales sonoras largas y en el visualizador aparece END (fin). Toque el botón RESET (reposicionar) o abra la puerta para borrar la palabra END (fin) antes de comenzar otra función de cocción.

#### Notas:

- Deje que la carne se descongele durante bastante tiempo, porque el proceso es más lento y gradual que SPEED DEFROST (descongelado rápido). Con DEFROST BY WEIGHT (descongelado por peso) el hornear a baja potencia se intercala dentro de los períodos de "reposo", cuando no ingresan al horno microondas en lo absoluto. Estos períodos durante los que no hay actividad de microondas permiten que la temperatura de la carne se iguale antes de que empiece automáticamente el siguiente período de radiación de microondas.
- El "DEFROST BY WEIGHT" (descongelado por peso) se gradúa automáticamente al tiempo correcto de descongelación, pero usted debe entrar el peso exacto de los alimentos. El peso debe ser en libras y onzas. Ponga la carne sobre una rejilla para microondas y sobre la bandeja para asar del microondas. Ponga hacia abajo la parte con grasa de la carne o la parte de la pechuga del pollo.

## 7. CÓMO GRADUAR LA "CERRADURA DE SEGURIDAD"

La cerradura de seguridad evita que el microondas pueda ser usado por niños pequeños sin vigilancia. Durante el modo de reposo, oprima el botón RESET (reposicionar) y manténgalo oprimido durante 3 segundos para activar la función de cierre de seguridad para los niños. Para cancelar esta función oprima el botón RESET (reposicionar) y manténgalo oprimido durante 3 segundos, nuevamente en el modo de reposo.

### USO DEL BOTÓN "ONE TOUCH" (sensible)

Su horno tiene seis programas de cocción con el botón "ONE TOUCH" (sensible), para usar en comidas populares para microondas. Cuando seleccione la graduación "ONE TOUCH" (sensible), verifique que la graduación de la guía visual del botón sea correcta. Cuando aparecen puntos (·) (·) en el botón "ONE TOUCH" (sensible), se puede cocinar más de un tamaño de alimentos. Tres graduaciones de "ONE TOUCH"

(sensible) le permite cocinar distintos tamaños de porciones (una o más) de la misma comida. Estas son: "FROZEN ENTRÉE" (entradas congeladas), "BAKED POTATOES" (papas horneadas) y "BEVERAGES" (bebidas). Después de tocar estos botones, en el visualizador aparece AMT (cantidad) para recordarle que debe programar en el control del horno, la cantidad de porciones que está poniendo en el microondas.

Las categorías que tienen puntos correspondientes a dos tamaños de porciones son: "FROZEN ENTRÉE" (entradas congeladas), "BAKED POTATOES" (papas horneadas), "PIZZA" y "BEVERAGES (bebidas)".

En cada categoría "ONE TOUCH" (cocción con el botón sensible) se gradúa una porción de menor tamaño tocando una vez el botón. Un botón (·) bajo el dibujo de una porción más pequeña de comida significa tocar una vez el botón. El tamaño grande puede graduarse tocando el botón del dibujo dos veces. Dos puntos (·) bajo la figura de una porción grande de comida significa tocar dos veces el botón.

Cuando aparece AMT con graduaciones "ONE TOUCH" (sensible), la graduación para una mayor cantidad de porciones, si se gradúa una mayor cantidad porciones que la permitida se oírán dos señales sonoras, indicando error. Las páginas siguientes indican las máximas cantidades de porciones para cada graduación.

### GRADUACIÓN PARA "POPCORN"

El control para "POPCORN" gradúa automáticamente el tiempo correcto de COCCIÓN para una bolsa de popcorn para microondas de 3 a 3 1/2 onzas.

PUEDE CAMBIAR LA GRADUACIÓN PARA POPCORN, PARA "RECORDAR" UN TIEMPO DE COCCIÓN DIFERENTE. Es posible que desee hacer esto si el tamaño de su bolsa de popcorn favorito es diferente al de 3 o 3" onzas. Ahora hay tamaños de bolsas individuales de 2 onzas hasta los más grandes, de "tamaño familiar". Pero, si usted no cambia la graduación para popcorn, el horno seguirá usando la graduación cada vez que toque el botón POPCORN, hasta que lo vuelva a reposicionar. PARA EVITAR LA ALTERACIÓN DEL COLOR DEL PLATO GIRATORIO DE SU HORNO, ponga la bolsa sobre un platillo que se pueda usar en microondas u otro plato pequeño. El lado de la bolsa de popcorn para microondas con la indicación "esta parte hacia abajo" contiene un revestimiento para absorción de calor que llega a calentarse mucho. Colocar un platillo entre la bolsa y la bandeja giratoria evita que los tintes de la bolsa manchen la bandeja giratoria cuando está caliente.

CONSEJOS PARA HACER POPCORN EN MICROONDAS: Controle el popcorn mientras va reventando y detenga el horno cuando la frecuencia de sonido del maíz al reventar disminuye a 3 segundos entre sonido y sonido. No trate de volver a cocer el maíz para que revienten los granos de maíz que no han reventado. A menos que usted tenga un utensilio recomendado para cocer popcorn en microondas, use sólo bolsas comerciales de popcorn para microondas. Usar platos de cerámica o bolsas de papel puede causar daños al horno. Tenga cuidado cuando agarre las bolsas calientes de popcorn. Para evitar quemaduras por el vapor, mantenga las manos a los lados de la bolsa, en lugar de ponerlas sobre la parte superior. Advierta a los niños de la gran cantidad de calor en las bolsas de popcorn.

1. Toque el botón POPCORN, en el visualizador aparece COOK (cocción), junto con la graduación del tiempo en 2:15 (2 minutos, 15 segundos). El tiempo programado de cocción ha sido coordinado con la potencia del horno para lograr los mejores resultados con una bolsa de popcorn de tamaño mediano de 3 a 3 1/2 onzas.
2. Toque el botón START (arrancar). La palabra COOK (cocción) aparece centelleando en el visualizador mientras que el temporizador lleva la cuenta regresiva durante la COCCIÓN. La luna interior se enciende y se oye el sonido de un ventilador; la bandeja gira. (Para mejores resultados con una sola bolsa de popcorn, deje que la bandeja giratoria esté en la posición de funcionamiento).

3. Para cambiar la graduación del tiempo para POPCORN, toque dos veces el botón POPCORN. En el visualizador aparece mensaje: ENTER TIME (entre el tiempo). Toque los botones correspondientes en el teclado numérico para entrar minutos y segundos. Toque el botón START (arrancar). Este nuevo tiempo de cocción se mantendrá cada vez que use el botón POPCORN, hasta que lo reposicione.

#### GRADUACIÓN PARA "BAKED POTATO" (papas horneada)

La graduación automática "POTATO" (papas) le permite graduar fácilmente para cocinar una variedad de papas. Un tiempo de reposo incorporado ayuda a igualar la temperatura de las papas durante el proceso de cocción. Tóquelo una vez para papas pequeñas a medianas (4 a 6 onzas). Tóquelo dos veces una comida grande de 8 a 10 onzas. Después de seleccionar el tamaño de las papas (tocando una vez para papas medianas o dos veces para las grandes), debe entrar la cantidad de papas que va a cocinar. Con el botón POTATO (papas), puede cocinar hasta 4 papas de cualquier tamaño.

1. Para papas de 4 a 6 onzas, toque el botón POTATO (papas) una vez. En el visualizador aparece ENTER AMT (entre la cantidad). Entre la cantidad de papas (hasta 4) tocando los botones numéricos del 1 al 4. Los tiempos de cocción para papas pequeñas a medianas son las siguientes:
  - 1 papa: 3 minutos, 20 segundos
  - 2 papas: 6 minutos, 20 segundos
  - 3 papas: 9 minutos, 20 segundos
  - 4 papas: 12 minutos, 20 segundos
2. Para papas grandes de 6 a 10 onzas, toque el botón POTATO (papas) dos veces. En el visualizador aparece ENTER AMT (entre la cantidad). Entre la cantidad de papas (hasta 4) tocando los botones numéricos del 1 al 4. Los tiempos de cocción para papas grandes son las siguientes:
  - 1 papa: 5 minutos, 00 segundos
  - 2 papas: 9 minutos, 00 segundos
  - 3 papas: 13 minutos, 00 segundos
  - 4 papas: 17 minutos, 00 segundos
3. En el visualizador aparecerán CODE (código) y el tiempo de cocción correspondiente, según la cantidad de papas. Toque el botón START (arrancar). En el visualizador centelleará CODE y comenzará la cuenta regresiva.

#### GRADUACIÓN PARA "PIZZA"

Con el botón automático para PIZZA, puede calentar una porción sobrante de pizza cocida, o una pizza para microondas congelada entera. La cantidad dependerá de cómo gradúe el botón. Para calentar una porción gruesa (o dos delgadas, entre 4 y 5 onzas en total) de pizza, toque el botón PIZZA una vez. Para una pizza congelada entera, toque el botón PIZZA dos veces. Los puntos junto a los dibujos de dos tipos de pizza, indican si debe tocar una vez (para calentar una porción) o dos veces (para una pizza entera congelada).

1. PARA CALENTAR UNA PORCIÓN (O DOS PORCIONES DELGADAS) DE PIZZA SOBRANTE: Toque el botón PIZZA una vez. Aparece: CODE y 1:00 (1 minuto, 00 segundos).
2. PARA CALENTAR UNA PIZZA PARA MICROONDAS CONGELADA: Toque el botón PIZZA dos veces. Aparece: CODE y 5:00 (5 minutos, 00 segundos).
3. Toque el botón START (arrancar). En el visualizador centelleará CODE y comenzará la cuenta regresiva.

#### GRADUACIÓN PARA "BEVERAGE" (bebidas)

El botón para BEVERAGES (bebidas) está programado para permitirle calentar tazas con bebidas (té / café) de dos tamaños. Para tazas pequeñas de café, toque una vez el botón BEVERAGE (bebidas). Un punto junto al dibujo de una taza de café indica que debe tocar el botón una vez. Para jarros de café grandes, toque el botón BEVERAGE (bebidas) dos veces. Dos puntos junto al dibujo de un jarro de café indica que debe tocar el botón dos veces. Una vez que haya seleccionado el tamaño de la taza de café, debe entrar la cantidad de tazas que va a calentar. Si no indica la cantidad (AMOUNT) el horno asume que es una taza.

1. Para tazas de café de 5 a 7 onzas, toque el botón BEVERAGE (bebidas) una vez. En el visualizador aparece ENTER AMT (entre la cantidad). Entre la cantidad de tazas (hasta 4) tocando los botones numéricos del 1 al 4. Los tiempos de cocción para tazas de café son las siguientes:
  - 1 taza: 1 minutos, 10 segundos (1:10)
  - 2 tazas: 2 minutos, 10 segundos (2:10)
  - 3 tazas: 3 minutos, 10 segundos (3:10)
  - 4 tazas: 4 minutos, 10 segundos (4:10)

2. Para jarros de café más grandes, de 10 a 12 onzas, toque el botón BEVERAGE (bebidas) dos veces. En el visualizador aparece ENTER AMT (entre la cantidad). Entre la cantidad de jarros (hasta 4) tocando los botones numéricos del 1 al 4. Los tiempos de cocción para jarros de café son las siguientes:

1 jarro: 2 minutos, 00 segundos (2:00)

2 jarros: 3 minutos, 30 segundos (3:30)

3 jarros: 5 minutos, 00 segundos (5:00)

4 jarros: 6 minutos, 30 segundos (6:30)

3. En el visualizador aparecerán CODE (código) y el tiempo de cocción correspondiente (según la cantidad de tazas o jarros). Toque el botón START (arrancar). En el visualizador centelleará CODE y comenzará la cuenta regresiva.

#### GRADUACIÓN PARA "FROZEN DINNER" (COMIDA CONGELADA)

Esta graduación automática es muy útil para cocinar fácilmente sus entradas y cenas favoritas individuales. Esta graduación puede tomar un poco más de tiempo que el indicado en el paquete. La razón de esto es el tiempo de reposo incorporado, incluido en el programa automático del horno. La secuencia de niveles de potencia del programa diseñado especialmente, más el tiempo de reposo automático le permiten a uno la graduación para una gran variedad de comidas congeladas.

1. PARA COCINAR 1 O 2 COMIDAS PREPARADAS Y CONGELADAS: Toque el botón FROZEN DINNER (comida congelada) una vez. En el visualizador aparece ENTER AMT (entre la cantidad). Para 1 entrada, puede dejar de entrar la cantidad, sólo toque START (arrancar). Para dos entradas, toque el botón numérico "2". Los tiempos de cocción para entradas pequeñas son las siguientes:

1 entrada: 4 minutos, 35 segundos

2 entradas: 8 minutos, 15 segundos

2. PARA COCINAR 1 COMIDAS PREPARADAS Y CONGELADAS MÁS GRANDE: toque el botón FROZEN DINNER (comida congelada) dos veces. Este programa automáticamente el horno para un tiempo de cocción de 9:00 (9 minutos).

3. En el visualizador aparecerán CODE (código) y el tiempo de cocción correspondiente. Toque el botón START (arrancar). En el visualizador centelleará CODE y comenzará la cuenta regresiva.

Nota: Con la graduación FROZEN DINNER (comida congelada), sólo aparecerá AMT cuando usted toque una vez para entradas pequeñas (7 a 9 onzas); elija entre 1 o 2 entradas. Si toca dos veces FROZEN DINNER (comida congelada), el tiempo de cocción se gradúa

automáticamente para un paquete individual más grande (10 a 12 onzas).

#### GRADUACIÓN PARA "REHEAT" (calentar)

Esta graduación le permite calentar con buenos resultados un plato lleno de comida sobrante. Su programa automático ha sido diseñado para tolerar una gran variedad de combinación de comidas servidas en un solo plato. Al preparar las comidas para calentarlas en la graduación REHEAT (calentar), recuerde los siguientes consejos. La disposición de los alimentos en el plato puede afectar la uniformidad de la cocción. Considere la cantidad y densidad de cada alimento.

LOS ALIMENTOS DENSOS, COMO LAS CARNES (trozos grandes y voluminosos o tajadas delgadas de carnes precocidas) Y VERDURAS COMPACTAS como puré de papás o papas gratinadas deben colocarse alrededor del borde del plato y distribuirlo todo lo que sea posible para exponerlos a la energía de microondas.

CANTIDADES GRANDES DE COMIDA deben distribuirse para que reciban más energía de microondas que las cantidades menores. Para acelerar el proceso de calentamiento cubra las tajadas de carne seca con su salsa o jugo.

COMIDAS LIGERAS, como el arroz, trozos pequeños de verduras, mariscos delicados, trozos de pollo, o cantidades pequeñas de comida absorben rápidamente las microondas. Colóquelas en el centro del plato donde estará algo protegidas por la comida de los bordes.

LA TEMPERATURA DE LOS ALIMENTOS es determinante en la uniformidad con que se cocinan juntos. Una lata de legumbres recientemente abierta (a temperatura ambiente) probablemente se caliente más rápidamente que los alimentos que se han sacado de la refrigeradora.

LOS PANCITOS DELICADOS sólo deben agregarse, si se desea, durante los últimos segundos.

CUBRA el plato con papel encerado para conservar el vapor alrededor de la mayor parte de los alimentos. Excepto: Carnes poco cocidas (rare) ni alimentos que tienen la parte exterior crocante.

1. Toque el botón REHEAT (calentar). En el visualizador aparecerán CODE (código) y el tiempo de cocción está graduado en 3:15 (3 minutos, 15 segundos). Esta graduación codificada incluye tres niveles automáticos de cocción que permiten una cocción uniforme de muchas combinaciones y clases de comidas.
2. Toque el botón START (arrancar). En el visualizador centelleará CODE y comenzará la cuenta regresiva.
3. Cuando haya concluido el tiempo de cocción, en el visualizador aparecerá la palabra END (fin). Abra la puerta del horno o toque el botón RESET (reposicionar) para que se visualice la hora, si el reloj ha sido puesto en hora.



1. Antes de limpiar el horno, apáguelo y desconecte el enchufe del tomacorriente.
2. Mantenga limpia la parte interior del horno. Cuando se peguen a las paredes del horno salpicaduras o líquidos derramados, límpielas con un paño húmedo. Puede usar un detergente suave si el horno está muy sucio. Evite usar aerosoles u otros agentes limpiadores fuertes pues podrían manchar, vetear o opacar la superficie de la puerta.
3. Las superficies exteriores deben limpiarse con un paño húmedo. Para evitar que las piezas de funcionamiento interiores del horno se dañen, no se debe dejar que entre agua dentro de las aberturas de ventilación.
4. Limpie la ventana por ambos lados con un paño húmedo para eliminar derrames o salpicaduras.
5. No deje que se moje el tablero de control. Límpielo con un paño húmedo suave. Cuando limpie el tablero de control, deje abierta la puerta del horno para evitar que se encienda accidentalmente.
6. Si se acumula vapor en la parte interior o exterior de la puerta del horno, limpie con un paño suave. Esto puede ocurrir cuando se hace funcionar el horno de microondas en condiciones de humedad extrema. Esto es normal.
7. De vez en cuando es necesario sacar la bandeja de vidrio para limpiarlo. Lávela en agua jabonosa o en el lavaplatos.
8. El aro con rueditas y el piso del horno deben limpiarse con regularidad para evitar ruido excesivo. Simplemente limpie la superficie inferior del horno con un detergente suave. El aro con rueditas puede lavarse en agua jabonosa o en el lavaplatos. Cuando saque el aro de su cavidad en el piso para limpiarlo, asegúrese de volver a ponerlo en la posición correcta.
9. Para eliminar los olores, coloque un tazón hondo con una mezcla de agua y el jugo y la cáscara de un limón y haga funcionar el microondas durante cinco minutos. Límpielo bien y séquelo con un paño suave.
10. Cuando sea necesario cambiar la bombilla de luz, llame a un distribuidor para que se encargue de cambiarla.



## GARANTÍA LIMITADA DEL PRODUCTO HORNOS DE MICROONDAS

Se garantiza que este producto de calidad está libre de defectos de fabricación en material y mano de obra, siempre que la unidad se us e bajo las condiciones normales de operación indicadas por el fabricante.

Esta garantía corresponde solamente a la persona a quien Danby, o un distribuidor autorizado de Danby, vendió la unidad originalmen te, y no se puede transferir.

### TÉRMINOS DE LA GARANTÍA

Todas las partes eléctricas de este producto que se encuentren de fectuosas, se repararán o cambiarán, incluyendo mano de obra, a opción del garante para el comprador ORIGINAL, cubriendo el servicio que se enumera a continuación. Las partes que se consumen (por ej. lámparas, vidrio, porcelana) están solamente cubiertas por una garantía de 90 días.

**Seleccione su marca de horno de microondas entre los que se enume ran a continuación, para determinar la cobertura de su producto ba jo garantía.**

<b>MARCA</b>	<b>Danby (servicio en el taller)</b>
<b>Partes</b>	Doce (12) meses
<b>Mano de obra</b>	Doce (12) meses
<b>Substitución extendida de las partes del Magnetron (sin mano de obra)</b>	Cuarenta y ocho (48) meses

Para todos los aparatos cubiertos bajo nuestra garantía de ser vicio en el taller, el consumidor será responsable de entregar la unidad al departamento de servi- cio autorizado más cercano. Todos los gastos de transporte incurridos son de responsabilidad del consumidor y no están incluidos en esta garantía.

**PARA OBTENER SERVICIO:** Comuníquese con su representante en donde compró la unidad, o con el departamento de servicio autorizad o de Danby más cercano, en donde un técnico de servicio competente efectuará la reparación. Si cualquier otra persona o servicio que no sea el autorizado, lleva a cabo el servicio de reparaciones en las unidades o si la unidad se usa para una aplicación comercial, **todas las obligaciones de Danby bajo esta garantía se verán terminadas.**

### Exclusiones

A excepción de lo que se especifica en la presente por Danby Products Limited (Canada) o Danby Products Inc. (U.S.A.), no existe ninguna otra garantía, condi- ción o representación, explícita o implícita, hecha o pretendida por Danby Products Limited (Canada) o Danby Products Inc. (U.S.A.), o sus distribuidores autor- izados, y toda otra garantía, condición o representación, incluyendo toda garantía, condición o representación bajo la Ley de Venta de Artículos, u otra legis- lación o estatuto similar, queda por la presente excluida.

A excepción de lo que se especifica en la presente, Danby Products Limited (Canada) o Danby Products Inc. (U.S.A.) no se hará responsable de ningún per- juicio a personas o propiedad, incluyendo a la unidad misma, de cualquier manera que se hubiese causado, ni de ningún perjuicio resultante del malfun- cionamiento de la unidad y, con la compra de la unidad, el comprador por la presente acuerda indemnizar y exonerar a Danby Products Limited (Canada) o Danby Products Inc. (U.S.A.) contra todo reclamo por daños y perjuicios a personas o propiedad causados por la unidad.

### Estipulaciones generales

Ninguna garantía o seguro contenido en la presente o determinado por la presente tendrá validez cuando el perjuicio o la reparación hayan sido causados por cualquiera de las siguientes causas:

- 1) Corte de corriente
- 2) Daño en tránsito o cuando se estaba moviendo el aparato
- 3) Corriente eléctrica inadecuada como baja tensión, conexiones eléctricas defectuosas en la casa o fusibles inadecuados.
- 4) Accidente, alteración, abuso o mal uso del aparato como circulación inadecuada de aire en la habitación o condiciones de funcionamiento anormales (tem- peraturas de la habitación demasiado altas o bajas).
- 5) Uso para fines comerciales o industriales.
- 6) Incendio, daños causados por agua, robo, guerras, insurrecciones, hostilidades, actos de fuerza mayor como huracanes, inundaciones, etc.
- 7) Llamadas para recibir servicio que sirvan como instrucción al cliente.

Será necesario presentar prueba de la fecha de compra para los reclamos bajo garantía; de modo que tenga la bondad de guardar la boleta de venta. En caso que se requiera un servicio bajo garantía, presente este documento a nuestro DEPARTAMENTO DE SERVICIO AUTORIZADO o comuníquese con Danby en una de las direcciones/teléfonos que aparecen a continuación.

Tenga la bondad de completar y devolver la tarjeta de registro adjunta dentro de los treinta días para validar el período de garantía.

Danby Products Limited  
P.O. BOX 1778, 5070 Whitelaw Road  
Guelph, Ontario, Canada N1H 6Z9  
Teléfono: (519) 837-0920 Fax: (519) 837-1730

Danby Products Inc.  
P.O. Box 669, 101 Bentley Court,  
Findlay, Ohio, U.S.A. 45839-0669  
Teléfono: (419) 425-8627 Fax: (419) 425-8629



**Model • Modèle • Modelo**  
**DMW902W**

For service, contact your nearest service depot or call:

**1-800-26-Danby®**  
**(1-800-263-2629)**

to recommend a depot in your area.

Pour obtenir le service, consultez votre succursale régionale de service ou téléphonez:

**1-800-26-Danby®**  
**(1-800-263-2629)**

qui vous recommandera un centre régional.

Para servicio, comuníquese con se Departamento de Servicios más cercano o llame al:

**1-800-26-Danby®**  
**(1-800-263-2629)**

Para que le recomienden un Departamento de Servicios en su zona.

### Microwave Oven

The model number can be found on the serial plate located on the back panel of the unit.

All repair parts available for purchase or special order when you visit your nearest service depot. To request service and/or the location of the service depot nearest you, call the TOLL FREE NUMBER.

When requesting service or ordering parts, always provide the following information:

- Product Type
- Model Number
- Part Description

### Four à micro-ondes

Le numéro de modèle se trouve sur la plaque d'information sur la paroi arrière de l'appareil.

Toutes les pièces de rechange ou commandes spéciales sont disponibles de votre centre régional de service autorisé. Pour exiger le service et/ou le nom de votre centre de service régional, signalez le NUMÉRO SANS FRAIS.

Ayez les renseignements suivants à la portée de la main lors de la commande de pièce ou service:

- Genre de produit
- Numéro de modèle
- Description de la pièce

### Horno de microondas

El número del modelo se puede encontrar en la placa de información ubicada en el panel posterior de la unidad.

Todos los repuestos se encuentran disponibles para compra o pedido especial cuando visite su departamento de servicio más cercano. Para solicitar servicio y/o la ubicación del departamento de servicio más cercano, llame AL NÚMERO DE TELÉFONO DE LLAMADA GRATIS.

Cuando solicite servicio o encargue repuestos, siempre proporcione la siguiente información:

- Tipo de producto
- Número del modelo
- Descripción de la parte

## Free Manuals Download Website

<http://myh66.com>

<http://usermanuals.us>

<http://www.somanuals.com>

<http://www.4manuals.cc>

<http://www.manual-lib.com>

<http://www.404manual.com>

<http://www.luxmanual.com>

<http://aubethermostatmanual.com>

Golf course search by state

<http://golfingnear.com>

Email search by domain

<http://emailbydomain.com>

Auto manuals search

<http://auto.somanuals.com>

TV manuals search

<http://tv.somanuals.com>