



**Model • Modèle • Modelo
D1052W**

For service, contact
your nearest service depot or call:

1-800-26D-anby

to recommend a depot in
your area.

Pour obtenir le service, consultez
votre succursale régionale de service
ou téléphonez:

1-800-26D-anby

qui vous recommandera un
centre régional.

Para servicio, comuníquese con su
Departamento de Servicios más
cercano o llame al:

1-800-26D-anby

para que le recomienden un
Departamento de Servicios
en su zona.

PUSH BUTTON DEFROST REFRIGERATOR

The model number of your refrigerator is found on the serial plate located on the back, top left-hand corner of the refrigerator.

All repair parts available for purchase or special order when you visit your nearest service depot. To request service and/or the location of the service depot nearest you, call the toll free number listed to the left in Canada and the U.S.

When requesting service or ordering parts, always provide the following information:

- Product Type
- Model Number

RÉFRIGÉRATEUR AVEC DÉCONGELATION POUSSE-BOUTON

Le numéro de modèle de votre réfrigérateur se trouve sur la plaque d'identification qui se trouve sur le coin du haut gauche de l'arrière du réfrigérateur.

Toutes les pièces de rechange sont disponibles immédiatement ou peuvent être commandées de votre Centre de Service régional. Pour obtenir le service et/ou le Centre de Service le plus proche, téléphonez le numéro sans-frais indiqué à gauche pour le Canada et les États-Unis.

Ayez les informations suivantes à la portée de la main lors de la commande de pièces ou service:

- Genre de produit
- Numéro de modèle

REFRIGERADOR DESCONGELACIÓN DE MANDO DE BOTÓN

El número del modelo de su refrigerador se encuentra en la placa de serie ubicada en el ángulo posterior superior izquierdo del refrigerador.

Todas las piezas de repuesto se encuentran disponibles la para compra o por pedido especial cuando Ud. visite su departamento de servicio más cercano. Para solicitar servicio y/o la ubicación del departamento de servicio más cercano, llame al número de marcando gratis que aparece a la izquierda en el Canadá y en los E.U.

Cuando solicite servicio o encargue repuestos, siempre proporcione la siguiente información:

- Tipo de producto
- Número de modelo

Danby Products Limited, PO Box 1778, Ontario, Canada N1H 6Z9
Danby Products Inc., PO Box 669, Findlay, Ohio, USA 45839-0669

Printed in China (P.R.C.)

Danby® Designer

OWNER'S MANUAL

**MANUEL
D'UTILISATION**

**MANUAL DEL
PROPIETARIO**

**Model • Modèle • Modelo
D1052W**

CAUTION:

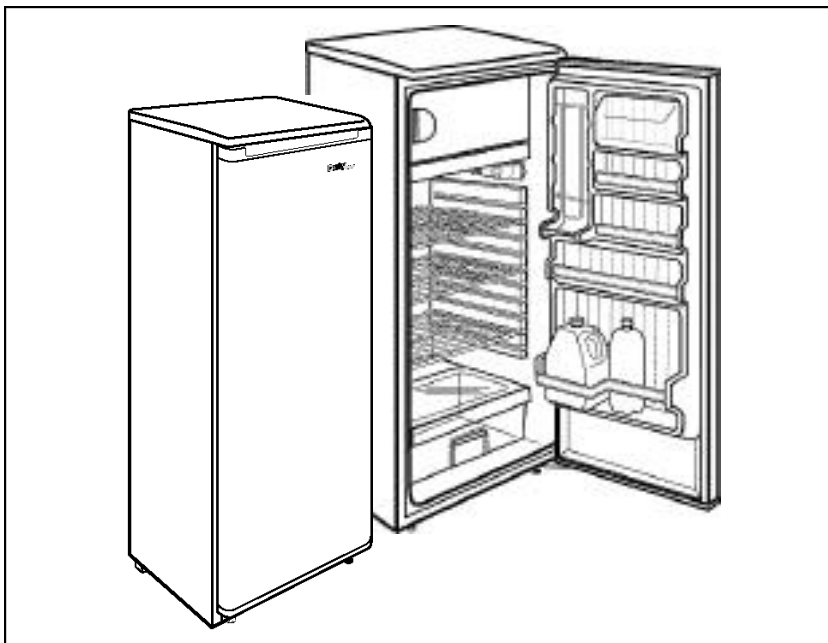
Read and follow all safety rules and operating instructions before first use of this product.

PRECAUTION:

Veuillez lire attentivement les consignes de sécurité et les instructions d'utilisation avant l'utilisation initiale de ce produit.

PRECAUCION:

Lea y observe todas las reglas de seguridad y las instrucciones de operación antes de usar este producto por primera vez.



PUSH BUTTON DEFROST REFRIGERATOR

Owner's Manual 1-6

- Safety Instructions
- Installation
- Operation
- Care and Maintenance
- Trouble Shooting

RÉFRIGÉRATEUR AVEC DÉCONGELATION POUSSE-BOUTON

Manuel d'utilisation 7-12

- Consignes de sécurité
- Instructions
- Fonctionnement
- Soins et entretien
- En cas de problème

REFRIGERADOR DESCONGELACIÓN DE MANDO DE BOTÓN

Manual del propietario 13-18

- Instrucciones de seguridad
- Instalación
- Operación
- Cuidado y Mantenimiento
- Solución Sugerida



Danby Products Limited, PO Box 1778, Ontario, Canada N1H 6Z9
Danby Products Inc., PO Box 669, Findlay, Ohio, USA 45839-0669

1052.06.02

Safety Instructions

ATTENTION GROUNDING INSTRUCTIONS

This appliance must be grounded. In the event of an electrical short circuit, grounding reduces the risk of electrical shock by providing an escape wire for the electrical current. This appliance is equipped with a cord having a grounding wire with a grounding plug. The plug must be plugged into an outlet that is properly installed and grounded.

WARNING - Improper use of the grounding plug can result in a risk of electric shock. Consult a qualified electrician or serviceman if the grounding instructions are not completely understood, or if doubt exists as to whether the appliance is properly grounded.

DO NOT USE AN EXTENSION CORD

Use an exclusive wall outlet. Do not connect your refrigerator to extension cords or together with any other appliance in the same wall outlet. Do not splice the cord.

IMPORTANT WARNING

An empty refrigerator is a very dangerous attraction to children. Remove either the gasket, latches, lids or doors from unused appliances, or take some other action that will guarantee it harmless.

DON'T WAIT! DO IT NOW!

Installation

Remove exterior and interior packings, wipe the outside thoroughly with a soft dry cloth and the inside with a wet, lukewarm cloth. Avoid placing the cabinet in a narrow recess or near any heat source, direct sunlight, or moisture. Let air circulate freely around the cabinet. Keep the rear of the refrigerator 5 inches away from the wall.

Location

1. Select a place with a strong, level floor.
2. Allow 5 inches of space between the back of the refrigerator and any adjacent wall.
3. Avoid direct sunlight and heat. Direct sunlight may affect the acrylic coating. Heat sources nearby will cause higher electricity consumption.
4. Avoid very moist places. Too much moisture in the air will cause frost to form very quickly on the evaporator, and your refrigerator will have to be defrosted more frequently.

Operation

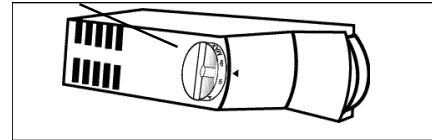
To avoid vibration, the cabinet must be set level. This is accomplished by adjusting the (2) front leveling legs located under the refrigerator cabinet. To start the refrigerator, turn the temperature control (OFF-MAX) to the position corresponding to the desired cooling. (Fig. A)

OFF = No Cooling
1 = Minimum Cooling
4 = Medium Cooling
MAX = Maximum Cooling

The refrigerator temperature will vary depending on the quantity of the food stored and on the frequency with which the door is opened.

Fig. A

Push Button Defrost



Defrosting

This refrigerator is equipped with a "Push Button" (semi-automatic) defrost thermostat system which means no need to unplug the refrigerator and no need to change the temperature setting before initiating the defrost cycle.

Before starting the defrost cycle make sure:

1. the defrost tray is properly positioned directly below the freezer compartment.
2. the defrost tray baffle located inside the defrost tray (at rear) is in the open position. (fully extended)
This helps to direct defrost water running off the back of the freezer compartment into the defrost tray.
3. the drain cap is securely attached to the defrost tray drain. (underside of the tray)

To activate the defrost cycle, simply push (in) the "red" defrost button located in the center of the control knob/dial. (there is no need to turn the control dial/knob to 0 = off position) The defrost cycle starts immediately when the red defrost button is activated (pushed-in) The defrost water accumulates inside the defrost tray. When defrosting is complete, the "red" defrost button will release (pop-out) automatically and resume normal operating (cooling) conditions.

To dispose of the accumulated water from the defrost tray, position the clear plastic storage bin (upper door shelf) directly under the defrost tray drain opening and unscrew the drain cap allowing the water to flow into the container. Replace the drain cap when the tray is completely empty. Dispose of the defrost water.

NOTE: If the red push button (defrost cycle) is "accidentally" activated, it will not be possible to "manually" pull-out the push button to stop the defrost cycle. You must either let the defrost cycle run its course or:

1. Apply (hold) a dishcloth soaked in hot water against the thermostat capillary line and bracket, located on the underside of the freezer compartment. The heat transfer from the dishcloth will cause a temperature rise on the thermostat capillary, (sensing line) causing the internal contacts of the thermostat to close and resume normal operating conditions. It may take several minutes and/or repeat applications before the defrost button will release.

Defrosting of your refrigerator should take place whenever the ice build-up (accumulation) inside the freezer compartment reaches a thickness of 1/4" (6mm). Defrosting may take a few hours, depending on the amount of accumulated ice and ambient indoor temperature. To speed-up the defrosting process, remove all frozen foods from the freezer section. Leaving the door partially ajar for a short period of time will also accelerate the process.

IMPORTANT: You must remember to close the refrigerator door before the defrost cycle terminates and normal operating conditions resume automatically.

IMPORTANT NOTICE: Never use sharp or pointed instruments to defrost/remove ice from the evaporator/freezer compartment. The evaporator/freezer compartment contains refrigerated gas lines and if punched/pierced, will render the refrigerator inoperable and "void" the manufacturers warranty.

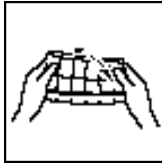
DO NOT ALLOW THE REFRIGERATOR TO CONTINUE OPERATION IF THE EVAPORATOR/FREEZER COMPARTMENT IS ACCIDENTALLY PIERCED. UNPLUG THE POWER CORD AND CALL FOR SERVICE IMMEDIATELY.

NOTE: Always wait 3 ~ 5 minutes before attempting to restart the refrigerator if operation has been interrupted.

Ice Cube Tray

Ice cube tray is flexible. Twist tray to remove ice cubes. If the ice cube tray is frozen hard to the evaporator surface, run a little water over the tray. Never use a knife or other metal instrument to remove ice cube tray because this may damage the evaporator. (Fig. C)

Fig. B



Care and Maintenance

Cleaning

To clean the inside, use a soft cloth and a solution of a tablespoon of baking soda to one quart of water, or a mild soap suds solution, or some mild detergent. Wash ice cube tray, drip tray, and glide out shelves in a mild detergent solution, then dry and wipe with a soft cloth. Clean the outside with a soft damp cloth and some mild detergent or appliance cleaner.

Vacation Time

For short vacation periods, leave the control knobs at their usual settings. During longer absences;

- (a) remove all foods,
- (b) disconnect from electrical outlet,
- (c) clean the refrigerator thoroughly, including defrost pan,
- (d) leave door open to avoid possible formations of condensate, mold or odors.

Power Failure

Most power failures are corrected within an hour or two and will not affect your refrigerator temperatures. However, you should minimize the number of door openings while the power is off. During power failures of longer duration, take steps to protect your food by placing dry ice on top of packages.

If You Move

Remove or securely fasten down all loose items inside the refrigerator. To avoid damaging the leveling legs, turn them all the way into the base.

Some Important Rules for the Correct Use of the Refrigerator

- Never place hot foods in the refrigerator.
- Beverages should be stored in sealed containers.
- Foods to be stored for a long time should be wrapped in cellophane or polyethylene, or kept in glass containers. Never place spoiled foods in the cabinet.
- Don't overload the cabinet.
- Don't open the door unless necessary.

- Should the refrigerator be stored without use for long periods it is suggested, after a careful cleaning, to leave the door ajar to allow the air to circulate inside the cabinet in order to avoid possible formations of condensate, mold or odors.

Food Storage Suggestions

Fresh Food Compartment

- Never cover food compartment shelves with aluminum foil or any other shelf covering material which may prevent air circulation.
- Always remove porous store wrapping paper from meats, poultry and fish. Meats should be wrapped individually and placed in a dish for storage. Wrap fish and poultry in foil or heavy waxed paper. Most fish should be used the same day of purchase. Packaged meats such as ham, bacon, dried beef, or frankfurter, store best in their original packages.
- Allow warm foods to cool to room temperature before placing them in the refrigerator.
- Always cover open dishes of food, especially leftovers. Use leftovers within 2 or 3 days.

Vegetable Crisper

The vegetable crisper is located at the bottom of the refrigerator compartment and is covered to retain moisture. The crisper compartment will enable you to store fruits and vegetables which would otherwise dry out rapidly. The humidity level inside the crisper can be controlled by adjusting the sliding damper control located at the front of the crisper drawer.

Technical and Structural Operation Features

Hermetically sealed cooling unit with midget 2 pole motor. Rustproof anodized "Roll-Bond" aluminum freezer (or Pipe on Sheet aluminum freezer) of high thermal conductivity. Adjustable thermostat for automatic temperature control. Cabinet bondrized and acylic-enameled according to the most modern electrostatic spraying techniques. High-density polyurethane theramal insulation. Magnetic door closure gasket.

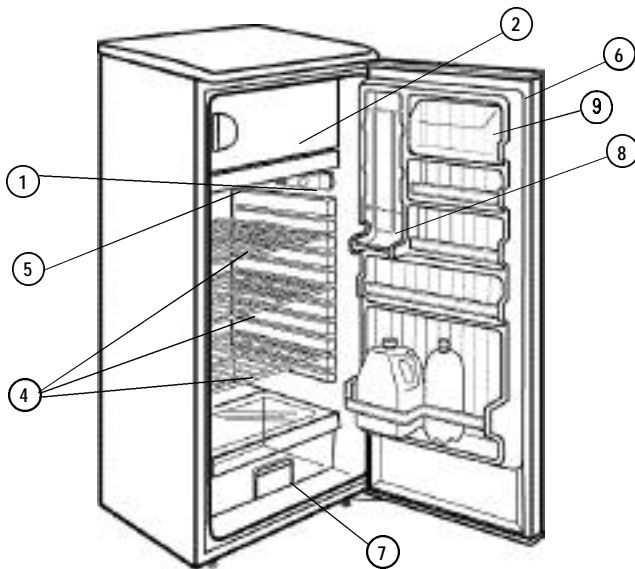
LIGHT BULB REPLACEMENT: This refrigerator uses a standard 40 watt appliance light bulb which can be purchased at most local hardware and grocery stores. To replace the light bulb, (no tools required) simply unscrew light bulb and install replacement.

Care and Maintenance

Frequently, a problem is minor and a service call may not be necessary, use this troubleshooting guide for a possible solution. If the unit continues to operate improperly, call an authorized service depot or **Danby's Toll Free Number** for assistance.

Difficulty	Possible Cause	Suggested Solution
Does not work	No power to unit. Power cord is unplugged. Wrong voltage is being used.	Check connection of power cord to power source. Plug in unit. Use proper voltage.
Cools too frequently	Temperature control too high. Door is not closed. Hot food inserted. Door opened too long or too often. Close proximity to heat source or direct sunlight.	Check setting and adjust as needed. Close door securely. Be sure that food is cool before inserting. DO NOT keep door open for too long. MINIMIZE door openings. DO NOT place unit close to heat sources or direct sunlight.
Internal temperature too cold	Temperature control too high.	Check setting and adjust as needed.
Internal temperature not cold enough	No power to unit. Power cord is unplugged. Temperature control too low. Door is not closed. Hot food inserted. Door opened too long or too often. Air flow obstruction. Wrong voltage is being used. Close proximity to heat source or direct sunlight.	Check connection of power cord to power source. Plug in unit. Check setting and adjust as needed. Close door securely. Be sure that food is cool before inserting. DO NOT keep door open for too long. MINIMIZE door openings. Allow room for air to circulate around unit. Use proper voltage. DO NOT place unit close to heat sources or direct sunlight.
Freezer is not cold enough	Temperature control too low. Door not closed. Hot food is inserted. Door opened too long or too often. Wrong voltage is being used.	Check setting and adjust as needed. Close door securely. Be sure that food is cool before inserting. DO NOT keep door open for too long. Use proper voltage.
Light will not work	No power to unit. Power cord is unplugged. Bulb is loose, needs replacing or the door switch is stuck.	Check connection of power cord to power source. Plug in unit. Tighten or replace the bulb. Check the switch for obstructions and clean.

1. THERMOSTAT DIAL: For controlling the temperature inside the refrigerator/freezer. Turns the motor on as soon as the temperature rises above the desired level.
2. FREEZING COMPARTMENT WITH REVERSIBLE FREEZER DOOR: Separate freezer section holds ice cube tray and frozen foods
3. ICE CUBE TRAY: Ice cubes are easily removed from the tray. (Not shown)
4. PLASTIC COATED SHELVES: 3 full width shelves, 2 half shelves are odor resistant, rustproof and removable for easy cleaning.
5. DRIP TRAY: Catches the water that drips off the evaporator when defrosting.
6. MAGNETIC GASKET: Tight fitting door seal keeps all the cooling power locked inside. No hooks or latches.
7. CRISPER WITH PLEXI-GLASS SHELF: Easy interior viewing.
8. CANSTOR DOOR LINER: Holds 355 mL cans of pop, juice, or beer.
9. All Purpose Storage Container: for eggs, butter cheese etc. can also be used to collect defrost water during defrost cycle.



Door Reversal Instructions

CAUTION: To avoid personal injury to yourself and/or property, we recommend someone assist you during the door reversal process.

1. To access the lower hinge assembly, tilt back the refrigerator cabinet or lay the refrigerator on its back. (Fig. C)
2. Remove both leveling legs located at the front of the cabinet.
3. Remove the screws holding the lower hinge assembly to the cabinet.
4. Remove the main door assembly from the refrigerator cabinet. (open door and pull down)
5. Remove (unscrew) the main door top hinge pin. (Fig. D)
6. Re-install the main door top hinge pin on the opposite side of the cabinet.
7. Remove the door plug and door bushing located on the top of the main door assembly.
8. Interchange positions. (ie. door plug right side, door bushing left side.)
9. Re-install main door assembly on cabinet.
10. Remove door bushing (bottom door) and install on opposite side.
11. Re-install the lower hinge assembly on the opposite side.
12. Make sure the door assembly is properly aligned on the cabinet, before tightening lower hinge screws.
13. Re-install both leveling legs. The process is now complete.

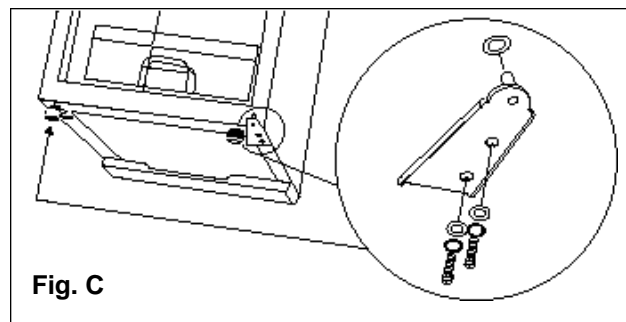


Fig. C

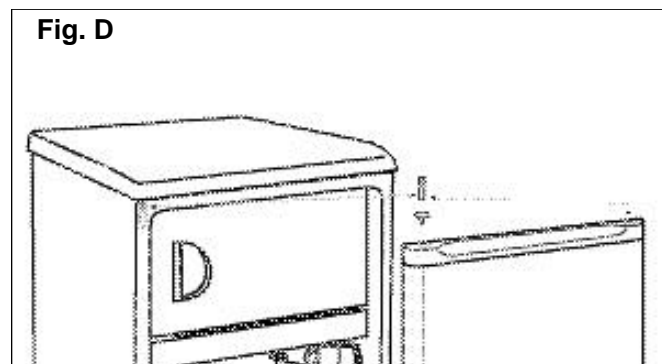


Fig. D

Freezer Door Reversal Instructions:

The freezer door assembly on this refrigerator is factory installed to open with a right hand door swing. (same swing as the refrigerator main door) It is possible to change the door swing from a right hand swing to left hand swing by following the below procedures.

1. Open the freezer door
2. Detach the freezer door spring from the bracket located on the right side edge of the freezer door.
3. Using a flat head screwdriver, place the head of the screwdriver as shown in illustration # 1.
4. While holding the freezer door, push down on the handle of the screwdriver until the top freezer door pin clears the hinge hole.
5. While holding the freezer door, carefully tilt the door towards yourself until the hinge pin clears the frame.
6. Lift the freezer upward until the bottom freezer door hinge pin clears the bottom hinge hole.
7. Turn the freezer door upside down.
8. Reverse the freezer door bushings. NOTE: The rubber bushing must be positioned (placed) at the bottom of the freezer door. The solid bushing on the top of the freezer door.
9. Remove (lift) the freezer door spring from the frame as shown in illustration # 2.
10. Reinstall the freezer door spring on the left side of the frame.
Place the spring in the bottom hole first.

CAUTION: Before re-installing the freezer door, remember to hold the freezer door at an angle (approx. 60 degree) when inserting the hinge pin into the hinge hole to avoid breakage of the pin.

11. Insert the bottom hinge pin first into the hinge hole on the left side of the frame.
12. While pushing down the bottom hinge, (rubber bushing will compress), carefully guide the top freezer door hinge pin into the top hinge hole.
13. Open the freezer door and attach the door spring to the bracket located on the left side edge of the freezer door.

Illustration # 1

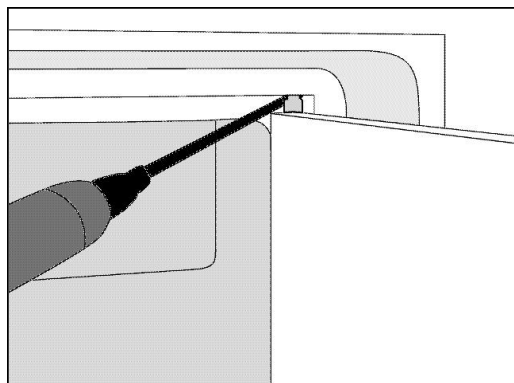
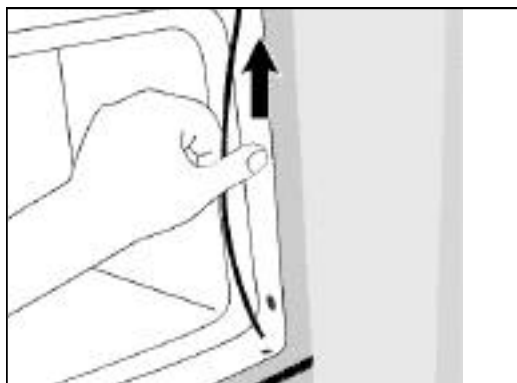


Illustration # 2



Danby[®] *Designer*

**Model • Modèle • Modelo
D1052W**

For service, contact
your nearest service depot or call:

1-800-26D-anby

to recommend a depot in
your area.

Pour obtenir le service, consultez
votre succursale régionale de service
ou téléphonez:

1-800-26D-anby

qui vous recommandera un
centre régional.

Para servicio, comuníquese con su
Departamento de Servicios más
cercano o llame al:

1-800-26D-anby

para que le recomienden un
Departamento de Servicios
en su zona.

PUSH BUTTON DEFROST REFRIGERATOR

The model number of your refrigerator is found on the serial plate located on the back, top left-hand corner of the refrigerator.

All repair parts available for purchase or special order when you visit your nearest service depot. To request service and/or the location of the service depot nearest you, call the toll free number listed to the left in Canada and the U.S.

When requesting service or ordering parts, always provide the following information:

- Product Type
- Model Number

RÉFRIGÉRATEUR AVEC DÉCONGELATION POUSSE-BOUTON

Le numéro de modèle de votre réfrigérateur se trouve sur la plaque d'identification qui se trouve sur le coin du haut gauche de l'arrière du réfrigérateur.

Toutes les pièces de rechange sont disponibles immédiatement ou peuvent être commandées de votre Centre de Service régional. Pour obtenir le service et/ou le Centre de Service le plus proche, téléphonez le numéro sans-frais indiqué à gauche pour le Canada et les États-Unis.

Ayez les informations suivantes à la portée de la main lors de la commande de pièces ou service:

- Genre de produit
- Numéro de modèle

REFRIGERADOR DESCONGELACIÓN DE MANDO DE BOTÓN

El número del modelo de su refrigerador se encuentra en la placa de serie ubicada en el ángulo posterior superior izquierdo del refrigerador.

Todas las piezas de repuesto se encuentran disponibles la para compra o por pedido especial cuando Ud. visite su departamento de servicio más cercano. Para solicitar servicio y/o la ubicación del departamento de servicio más cercano, llame al número de marcando gratis que aparece a la izquierda en el Canadá y en los E.U.

Cuando solicite servicio o encargue repuestos, siempre proporcione la siguiente información:

- Tipo de producto
- Número de modelo

Danby Products Limited, PO Box 1778, Ontario, Canada N1H 6Z9
Danby Products Inc., PO Box 669, Findlay, Ohio, USA 45839-0669

Printed in China (P.R.C.)

Danby® Designer

OWNER'S MANUAL

**MANUEL
D'UTILISATION**

**MANUAL DEL
PROPIETARIO**

**Model • Modèle • Modelo
D1052W**

CAUTION:

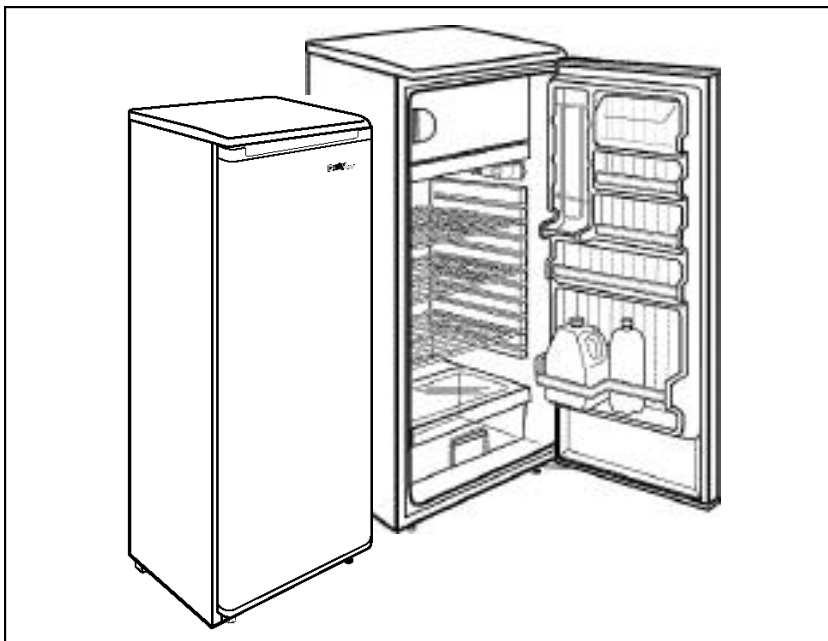
Read and follow all safety rules and operating instructions before first use of this product.

PRECAUTION:

Veuillez lire attentivement les consignes de sécurité et les instructions d'utilisation avant l'utilisation initiale de ce produit.

PRECAUCION:

Lea y observe todas las reglas de seguridad y las instrucciones de operación antes de usar este producto por primera vez.



PUSH BUTTON DEFROST REFRIGERATOR

Owner's Manual **1-6**

- Safety Instructions
- Installation
- Operation
- Care and Maintenance
- Trouble Shooting

RÉFRIGÉRATEUR AVEC DÉCONGELATION POUSSE-BOUTON

Manuel d'utilisation **7-12**

- Consignes de sécurité
- Instructions
- Fonctionnement
- Soins et entretien
- En cas de problème

REFRIGERADOR DESCONGELACIÓN DE MANDO DE BOTÓN

Manual del propietario **13-18**

- Instrucciones de seguridad
- Instalación
- Operación
- Cuidado y Mantenimiento
- Solución Sugerida



Danby Products Limited, PO Box 1778, Ontario, Canada N1H 6Z9
Danby Products Inc., PO Box 669, Findlay, Ohio, USA 45839-0669

1052.06.02

Instructions pour l'inversion de la porte du congélateur :

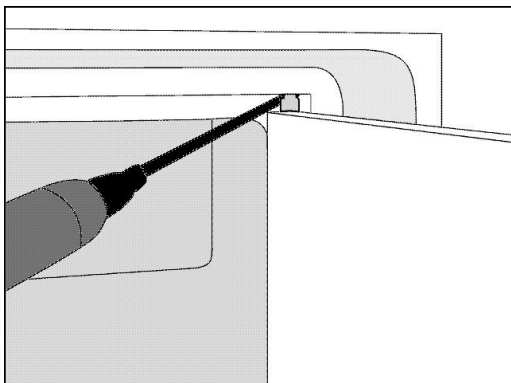
La porte du congélateur de ce réfrigérateur est installée à l'usine de manière à s'ouvrir en tournant vers la droite. (La porte tourne du même côté que la porte principale du réfrigérateur.) Il est possible de changer la direction d'ouverture de la porte de droite à gauche à condition de suivre les instructions ci-dessous.

1. Ouvrez la porte du congélateur.
2. Enlevez le ressort de la porte du congélateur du support qui se trouve sur la bordure droite de la porte du congélateur.
3. Utilisez un tournevis à lame droite et placez la lame du tournevis tel qu'indiqué à la première illustration.
4. Tenez la porte du congélateur et appuyez sur le manche du tournevis jusqu'à ce que la tige supérieure de la porte du congélateur sorte de l'orifice de la charnière.
5. Tenez la porte du congélateur ouverte et inclinez avec soin la porte vers vous jusqu'à ce que la charnière sorte de son cadre.
6. Levez la porte du congélateur jusqu'à ce que la tige inférieure servant de charnière de la porte sorte de l'orifice inférieur de la charnière.
7. Tournez la porte du congélateur sens dessus dessous.
8. Inversez les manchons de la porte du congélateur. NOTA : Le manchon en caoutchouc doit être placé au bas de la porte du congélateur. Le manchon plein doit être installé sur le dessus de la porte du congélateur.
9. Sortez le ressort de la porte du congélateur de la charpente (voir l'illustration # 2).
10. Réinstallez le ressort de la porte du congélateur du côté gauche de la charpente. Commencez par placer le ressort dans l'orifice inférieur.

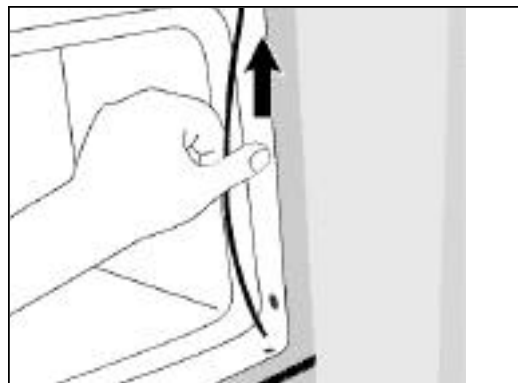
MISE EN GARDE : Avant de réinstaller la porte du congélateur, n'oubliez pas de tenir la porte à un angle d'environ 60 degrés lorsque vous insérez la tige de la charnière dans l'orifice de la charnière; cette inclinaison aidera à ne pas casser la tige.

11. Insérez la tige inférieure de la charnière en premier dans l'orifice de la charnière du côté gauche de la charpente.
12. Tout en appuyant sur la charnière inférieure (le manchon en caoutchouc se comprime), insérez avec soin la tige supérieure servant de charnière pour la porte du congélateur dans l'orifice prévu pour la tige servant de charnière.
13. Ouvrez la porte du congélateur et installez le ressort de la porte sur le support situé sur la bordure gauche de la porte du congélateur.

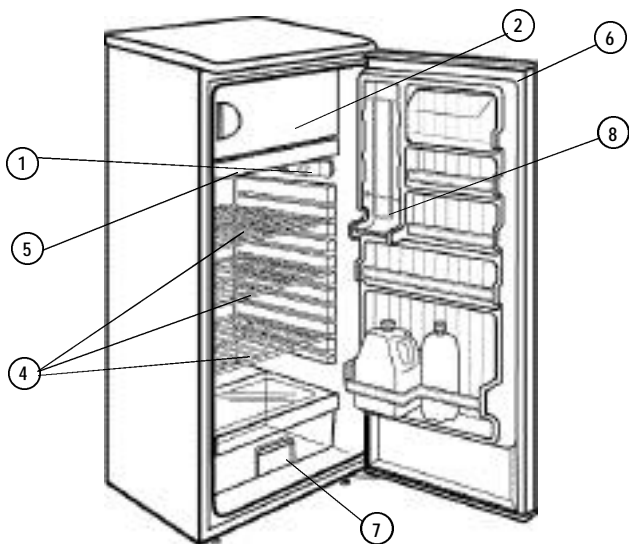
l'illustration # 1



l'illustration # 2



1. CADRAN DU THERMOSTAT: Règle la température intérieure du réfrigérateur/congelateur. Met le moteur en marche dès que la température dépasse le niveau désiré.
2. TABLETTES ENDUITES DE PLASTIQUE : Les 3 tablettes pleine largeur et les 2 tablettes mi-largeur résistent aux odeurs; elles ne rouilleront pas et elles sont amovibles pour en faciliter le nettoyage.
3. MOULE À GLAÇONS: Démoulage facile des glaçons. (non-illustré)
4. TABLETTES ENDUITES DE PLASTIQUE : Les 3 tablettes pleine largeur et les 2 tablettes mi-largeur résistent aux odeurs; elles ne rouilleront pas et elles sont amovibles pour en faciliter le nettoyage.
5. BAC D'ÉCOULEMENT: Pour récupérer l'eau qui coule de l'évaporateur pendant le dégivrage.
6. JOINT ÉTANCHE MAGNÉTIQUE: Le joint étanche empêche l'air frais de s'échapper.
7. BAC À LÉGUMES AVEC CLAYETTE EN PLEXIGLAS: Facile de voir des contenus.
8. PAROI DE PORTE CANSTOR: Range les boîtes de boisson gazeuse, jus ou bière de 355 mL.
9. CONTENANT D'ENTREPOSAGE TOUT USAGE: pour les œufs, le beurre, le fromage, etc. Ce contenant peut être utilisé pour recueillir l'eau de dégivrage pendant le dégivrage.



Instructions de porte réversible

ATTENTION: Pour éviter de se blesser ou endommager l'appareil, on vous recommande d'avoir quelqu'un vous aide pendant ce processus.

1. Pour accéder le montage de la charnière inférieure, incliner le réfrigérateur ou mettre le réfrigérateur sur son derrière. (Fig. C)
2. Enlever les deux pieds de nivellement sur le devant de réfrigérateur.
3. Enlever les vis qui joignent le montage de la charnière inférieure au réfrigérateur.
4. Enlever le montage de la porte principale du réfrigérateur. (*ouvrir la porte et tirer vers le bas*)
5. Enlever (*dévisser*) le goujon de charnière du dessus de porte principale. (Fig. D)
6. Réinstaller le goujon de charnière du dessus de porte principale sur le côté opposé de réfrigérateur.
7. Enlever le couvercle de goujon et le coussinet de porte qui sont en dessus de montage de la porte principale.
8. Changer de place. (*mettre le couvercle de goujon à côté droit et le coussinet de porte à côté gauche*).
9. Réinstaller le montage de la porte principale sur le réfrigérateur.
10. Enlever le coussinet de porte (*porte du dessous*) et installer sur le côté opposé.
11. Réinstaller le montage de la charnière inférieure sur le côté opposé.
12. S'assurer que le montage de la porte est bien aligner sur le réfrigérateur avant de resserrer les vis de charniere inférieure.
13. Réinstaller les deux pieds de nivellement.
Le processus est complet.

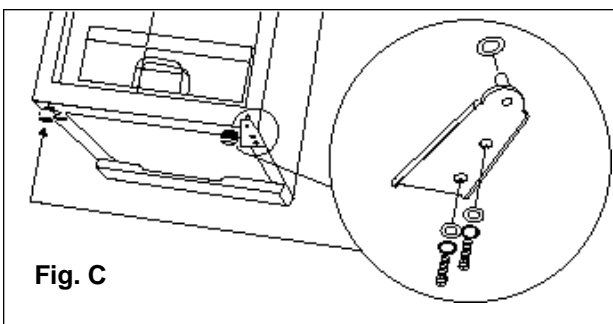


Fig. C

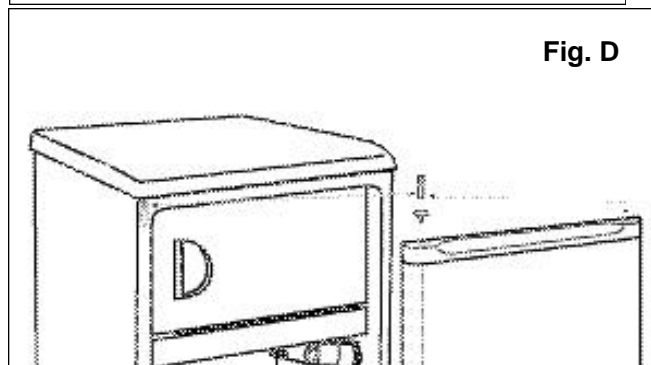


Fig. D

Consignes de sécurité

ATTENTION MISSE À LA TERRE

Cet appareil doit être mis à la terre. En cas de court-circuit, la mise à la terre réduit les risques de décharge électrique en fournissant un échappatoire au courant électrique. L'appareil est muni d'un cordon électrique comprenant un fil de mise à la terre et une fiche de terre. Branchez la fiche dans une prise de courant correctement installée et mise à la terre.

Avertissement - Consultez un électricien ou un technicien qualifié si vous ne comprenez pas bien les instructions de mise à la terre ou si vous avez un doute quelconque sur la bonne mise à la terre de l'appareil.

N'UTILISER JAMAIS DE FIL DE RALLONGE

S'il est possible, brancher le réfrigérateur à son propre circuit. Ainsi, les autres appareils ou la surcharge des lampes du domicile ne peuvent pas surcharger et interrompre le courant électrique. Une connexion desserrée peut se doubler à un autre appareil dans la même prise murale.

PRÉCAUTION IMPORTANTE

Un réfrigérateur vide est une attraction dangereuse aux enfants. Enlever les joints étanches, les loquets, les couvercles ou les portes des appareils qui ne sont pas utiliser, ou faites de soit que l'appareil ne présente aucun danger.

N'ATTENDEZ PAS! FAITES-LE IMMÉDIATEMENT!

Installation

Enlevez les emballages extérieurs et intérieurs. Essuyez complètement l'extérieur avec un linge doux sec et l'intérieur avec un linge humide tiède. Il ne faut jamais situer l'appareil dans un recoin étroit, proche d'une source d'air chaud. L'air doit circuler à l'entour de l'appareil. Éloigner le réfrigérateur au moins 5 pouces du mur.

Emplacement

1. Choisir une place qui a un plancher fort et à niveau.
2. Éloigner l'appareil de 5 pouces des murs arrière et de côté.
3. Éviter les rayons de soleil et la chaleur directs qui peuvent affecter la surface en acrylique. Les sources de chaleur rapprochées augmentent la consommation d'énergie.
4. Éviter les endroits très humides. L'humidité élevée dans l'air occasionne la formation rapide de gèle sur l'évaporateur et le réfrigérateur. Le réfrigérateur devra être dégivré fréquemment.

Fonctionnement

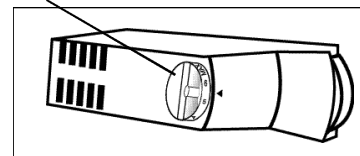
Pour éviter la vibration, l'appareil doit être absolument horizontal. Les deux premiers pieds de nivellement au-dessous de réfrigérateur peuvent être ajuster. Pour mettre le réfrigérateur en marche, tourner la commande de température jusqu'au refroidissement désiré (OFF-MAX). (Fig A)

OFF = Pas de refroidissement 4 = Refroidissement moyen
1 = Refroidissement minimum MAX = Refroidissement maximum

Le température de réfrigérateur variera dépendant de la quantité de nourriture et la fréquence avec laquelle la porte est ouverte.

Un système de dégivrage avec un pousse-bouton

Fig. A.



Dégivrage

Ce réfrigérateur est équipé d'un système à thermostat de dégivrage à bouton poussoir (semi-automatique); cela signifie qu'il n'est pas nécessaire de débrancher le réfrigérateur ni de changer le réglage de la température avant d'amorcer le dégivrage.

Avant d'amorcer le dégivrage, assurez-vous de ce qui suit :

1. Le plateau de dégivrage doit être bien placé, c'est-à-dire directement sous le compartiment de congélation.
2. Les chicanes du plateau de dégivrage, qui se trouvent à l'intérieur du plateau de dégivrage (à l'arrière), sont ouvertes (complètement étendues).
3. Le capuchon du drain est bien installé sur le drain du plateau de dégivrage (sous le plateau).

Pour amorcer le dégivrage, appuyez sur le bouton de dégivrage (rouge) situé au centre du bouton/cadran de contrôle. Il n'est pas nécessaire de tourner le bouton/cadran de contrôle à 0 = position «OFF». Le dégivrage s'amorce immédiatement lorsque vous appuyez sur le bouton rouge. L'eau de dégivrage s'accumule dans le plateau de dégivrage. Lorsque le dégivrage est terminé, le bouton rouge revient automatiquement à sa position d'origine et l'appareil revient à son mode de fonctionnement normal (refroidissement). Pour vidanger l'eau accumulée dans le plateau de dégivrage, placez le réservoir en plastique transparent (tablette supérieure de la porte) directement sous l'ouverture de vidange du plateau de dégivrage et dévissez le bouchon pour permettre à l'eau de s'écouler dans le contenant. Remettez le bouchon lorsque le plateau est complètement vide. Jetez l'eau de dégivrage.

NOTA : Si vous appuyez accidentellement sur le bouton poussoir rouge, il ne sera pas possible de le remettre manuellement à sa position d'origine pour arrêter le dégivrage. Vous devez soit laisser le dégivrage se faire ou :

- 1) Placez un linge à vaisselle imbibé d'eau chaude sur le tuyau capillaire du thermostat et sur le support qui se trouvent sous le logement du congélateur. Le transfert de chaleur entre le linge à vaisselle humide et le tuyau provoquera une hausse de température dans le tuyau capillaire du thermostat (tuyau de détection), ce qui fera fermer les contacts du thermostat avec une reprise normale du fonctionnement. Il faudra peut-être plusieurs minutes et (ou) des applications répétées du linge humide pour que le bouton poussoir revienne à sa position d'origine.

Le dégivrage de votre réfrigérateur devrait se produire chaque fois que l'accumulation de glace à l'intérieur du congélateur atteint 1 po (6 mm). Le dégivrage peut prendre quelques heures suivant la quantité de glace accumulée et la température ambiante. Pour accélérer le dégivrage, retirez tous les aliments congelés du congélateur. Laissez la porte partiellement ouverte pendant une courte période pour accélérer le processus.

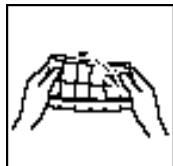
IMPORTANT : N'oubliez pas de refermer la porte du réfrigérateur avant la fin du dégivrage et la reprise automatique normale du fonctionnement du réfrigérateur. **AVIS IMPORTANT** : N'utilisez jamais d'outil tranchant ou effilé pour dégivrer ou pour retirer la glace du logement de l'évaporateur/congélation. Le logement de l'évaporateur/congélation contient des tuyaux de gaz de réfrigération; si ces tuyaux étaient perforés, le réfrigérateur ne fonctionnerait plus et la garantie du fabricant serait par le fait même «annulée». **NE PERMETTEZ PAS QUE LE RÉFRIGÉRATEUR SOIT UTILISÉ SI LE LOGEMENT DE L'ÉVAPORATEUR/CONGÉLATION EST ACCIDENTELLEMENT PERFORÉ. DÉBRANCHEZ LE CORDON D'ALIMENTATION ÉLECTRIQUE ET DEMANDEZ IMMÉDIATEMENT À UN TECHNICIEN EN RÉFRIGÉRATION D'INTERVENIR.**

Nota : Attendez toujours entre 3 et 5 minutes avant de remettre le réfrigérateur en marche si le réfrigérateur s'est arrêté.

Glaçons

Le moule à glaçons est flexible. Tourner-le pour enlever les glaçons. Si le moule est surgelé et collé à la surface de l'évaporateur, verser un peu d'eau tiède. Ne jamais utiliser de couteaux ou d'autres instruments en métal pour enlever le moule à glaçons car ceux-ci peuvent endommager l'évaporateur. (Fig. B)

Fig. B



Soins et entretien

Entretien

Pour nettoyer l'intérieur, utiliser un linge doux, et une solution de 2 cuillerées à table de bicarbonate de soude par pinte d'eau, ou une solution savonneuse douce, ou de détergent doux. Laver le moule à glaçons, le bac d'écoulement et les clayettes amovibles dans une tiède solution de détergent doux, sécher avec un linge doux. Nettoyer l'extérieur avec un linge doux humide et un peu de détergent doux ou un nettoyeur conçu pour les appareils.

Pendant les vacances

Si vous prenez des vacances d'un mois ou moins, ne touchez pas à la commande du thermostat. Pendant les vacances plus prolongées:

- (a) enlever tous les aliments,
- (b) débrancher l'appareil,
- (c) nettoyer tout le réfrigérateur, y compris le bac d'écoulement,
- (d) laisser la porte ouverte pour éviter les mauvaises odeurs.

Panne d'électricité

La plupart des pannes d'électricité sont corrigées dans un délai d'une heure et n'ont pas d'effets sur la température du réfrigérateur. Il est nécessaire de réduire le nombre d'ouvertures de la porte pendant une panne.

Pendant les pannes qui durent plus qu'une heure, protéger vos aliments en déposant un bloc de glace sèche par-dessus les emballages. Si la glace n'est pas disponible, essayer d'utiliser temporairement de l'espace de votre entrepôt à froid régional.

Déménagement

Enlever ou immobiliser toutes les pièces amovibles (*c-à-d: les clayettes*) à l'intérieur du réfrigérateur et/ou congélateur. Serrer les vis à nivellement à la base afin de ne pas les endommager.

Importantes consignes de sécurité pour l'utilisation du réfrigérateur

- Ne jamais ranger d'aliments chauds dans le réfrigérateur.
- Ranger les breuvages dans des contenants étanches.
- Pour le rangement à longue durée, envelopper les aliments

dans une pellicule cellophane ou polyéthylène, ou des contenants en verre. Ne jamais ranger d'aliments avariés dans l'appareil.

- Ne jamais surcharger l'appareil.
- Ouvrir la porte seulement si nécessaire.
- Pour un rangement prolongé de l'appareil, il est suggéré de laver l'appareil, de laisser la porte ouverte afin de fournir une circulation d'air à l'intérieur du meuble et d'éviter le développement de condensation, de mois et d'odeurs.

Rangements des aliments

Compartiments pour Aliments Frais

- Ne jamais recouvrir les clayettes du compartiment de papier d'aluminium ou autres matériaux car ceci peut empêcher la circulation d'air.
- Enlever toujours les emballages perméables du marchand qui recouvrent la viande, volaille et le poisson. Les viandes doivent être emballées individuellement, et déposées dans un récipient pour le rangement. Emballer la volaille ou le poisson dans du papier aluminium ou du papier ciré épais. Faites cuire la plupart de sorte de poissons le jour de l'achat. Les viandes emballées par le marchand, telles que le jambon, le bacon, le boeuf sec, ou les saucisses fumées se rangent très bien dans leur emballage.
- Laisser refroidir les aliments à la température de la pièce avant de les ranger dans le réfrigérateur.
- Toujours recouvrir les aliments, surtout les restants. Utiliser les restants avant 2 à 3 jours.

Bac à légumes

Le bac à légumes se trouve au bas du réfrigérateur et il est couvert pour conserver l'humidité. Le bac à légumes vous permet d'y placer des fruits et des légumes qui se déshydrateraient rapidement autrement. Le niveau d'humidité à l'intérieur du bac peut être contrôlé en ajustant le volet de coulissant situé à l'avant du bac.

Caractéristiques techniques et de construction

Appareil à moteur miniature avec 2 pôles hermétiquement scellé. Congélateur en aluminium anti-rouille en anode laminé roulé (ou congélateur "tube sur plaque d'aluminium") de haute conductivité thermique.

Thermostat pour réglage automatique de la température. Meuble laminé et émaillé selon les techniques de peinture au pistolet les plus modernes. Isolation thermique en polyéthylène de haute densité et joint étanche magnétique de porte.

REPLACEMENT DE L'AMPOULE ÉLECTRIQUE :

Ce réfrigérateur utilise une ampoule ordinaire de 40 watts qui peut être achetée dans la plupart des quincailleries locales et dans les épiceries. Pour remplacer l'ampoule (aucun outil n'est requis), dévissez l'ampoule déjà en place et installez l'ampoule de rechange.

En cas de problème

Souvent, le problème est mineur et n'exige pas un appel de service. Utilisez ce guide pour trouver des solutions. Si l'appareil ne fonctionne toujours pas, appelez un dépôt de service autorisé ou le **numéro de téléphone sans frais** pour de plus amples renseignements.

Problème	Cause possible	Solution Suggérée
Ne fonctionne pas.	L'appareil n'est pas alimenté. Le cordon d'alimentation n'est pas branché. La source d'alimentation n'est pas appropriée.	Vérifiez que l'appareil est branché à la source d'alimentation. Branchez la fiche. Utilisez la tension appropriée
Refroidit trop souvent.	La commande de température est réglée à une position trop élevée. La porte n'est pas fermée. Des aliments chauds y ont été rangés. La porte est ouverte trop souvent ou longtemps. L'appareil est trop proche d'une source de chaleur ou des rayons du soleil.	Vérifiez que la commande est réglée à la bonne position. Fermez bien la porte. Assurez-vous que les aliments sont refroidis avant de les ranger. NE GARDEZ PAS la porte ouverte trop longtemps. Réduire au MINIMUM les ouvertures de porte. NE SITUEZ PAS l'appareil trop près d'une source de chaleur.
Température interne trop froid.	La commande du thermostat est à une position trop haute.	Vérifiez la position de la commande et réglez de nouveau.
Température interne pas assez froide.	L'appareil ne reçoit aucun pouvoir. Le cordon d'alimentation n'est pas branché. La commande de température est réglée à une position trop basse. La porte n'est pas fermée. Des aliments chauds y ont été rangés. La porte est ouverte trop souvent ou longtemps. Obstructions à la circulation d'air. La source d'alimentation n'est pas appropriée. L'appareil est trop proche d'une source de chaleur ou des rayons du soleil.	Vérifiez que l'appareil est branché à la source d'alimentation. Branchez la fiche. Vérifiez la position de la commande et réglez de nouveau. Fermez bien la porte. Assurez-vous que les aliments sont refroidis avant de les ranger. NE GARDEZ PAS la porte ouverte trop longtemps. Réduire au MINIMUM les ouvertures de porte. Laissez assez d'espace pour la circulation d'air. Utilisez la tension appropriée NE SITUEZ PAS l'appareil trop près d'une source de chaleur.
Congélateur pas assez froid.	La commande est à une position trop basse. La porte n'est pas fermée. Des aliments chauds y ont été rangés. La porte est ouverte trop souvent ou longtemps. La source d'alimentation n'est pas appropriée.	Vérifiez la position de la commande et réglez de nouveau. Fermez bien la porte. Assurez-vous que les aliments sont refroidis avant de les ranger. NE GARDEZ PAS la porte ouverte trop longtemps. Utilisez la tension appropriée
Lampe ne fonctionne pas.	L'appareil n'est pas alimenté. Le cordon d'alimentation n'est pas branché. La lampe n'est pas bien vissée, doit être remplacée ou l'interrupteur sur la porte est collé.	Vérifiez que l'appareil est branché à la source d'alimentation. Branchez la fiche. Serrez ou changez la lampe. Vérifiez que l'interrupteur n'est pas collé et est propre.

Free Manuals Download Website

<http://myh66.com>

<http://usermanuals.us>

<http://www.somanuals.com>

<http://www.4manuals.cc>

<http://www.manual-lib.com>

<http://www.404manual.com>

<http://www.luxmanual.com>

<http://aubethermostatmanual.com>

Golf course search by state

<http://golfingnear.com>

Email search by domain

<http://emailbydomain.com>

Auto manuals search

<http://auto.somanuals.com>

TV manuals search

<http://tv.somanuals.com>