

# DIPLOMAT®

## OWNER'S MANUAL

### MANUEL D'UTILISATION

### Manual del Propietario

Model • Modèle • Modelo

DCR033W  
DCR033BL

#### Caution:

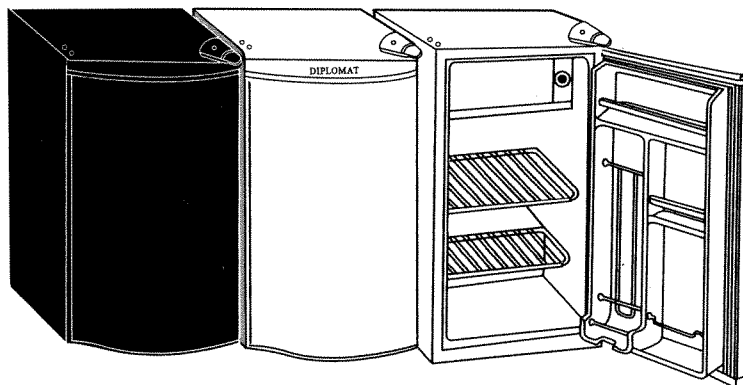
Read and follow all safety rules and operating instructions before first use of this product.

#### PRÉCAUTION:

Veillez lire attentivement les consignes de sécurité et les instructions d'utilisation avant l'utilisation initiale de ce produit.

#### PRECAUCIÓN:

Lea y observe todas las reglas de seguridad y las instrucciones de operación antes de usar este producto por primera vez.



DCR033BL

DCR033W

## COMPACT REFRIGERATOR

### Owner's Manual ..... 1-7

- Safety Instructions
- Installation
- Operation
- Care and Maintenance
- Parts List

## RÉFRIGÉRATEUR COMPACT

### Manuel d'utilisation ..... 8-14

- Consignes de sécurité
- Installation
- Fonctionnement
- Soins et entretien
- Listes de pièce

## REFRIGERADOR COMPACTO

### Manual del propietario ..... 15-21

- Instrucciones de seguridad
- Instalación
- Operación
- Cuidado y Mantenimiento
- Lista de repuestos

Danby Products Limited, PO Box 1778, Ontario, Canada N1H 6Z9  
Danby Products Inc., PO Box 669, Findlay, Ohio, USA 45839-0669

# DIPLOMAT®

## LIMITED COMPACT REFRIGERATOR WARRANTY

This quality product is warranted to be free from manufacturer's defects in material and workmanship, provided that the unit is used under the normal operating conditions intended by the manufacturer.

This warranty is available only to the person to whom the unit was originally sold by Danby or by an authorized distributor of Danby, and is non-transferable.

### TERMS OF WARRANTY

Plastic parts, are warranted for thirty (30) days only from purchase date, with no extensions provided.

*First 12 Months* During the first twelve (12) months, any electrical parts of this product found to be defective, including any sealed system units, will be repaired or replaced, at warrantor's option, at no charge to the ORIGINAL purchaser.

*Additional 48 Months* During the next forty-eight (48) months any part of the sealed system found to be defective (consisting of compressor, condenser, evaporator, dryer and all related tubing) will be replaced without charge. The purchaser shall pay for all labor and return freight during this period for repair or replacement of any sealed system components. Any unit being diagnosed as non-functional due to sealed system failure and warranting an exchange will be subject to an appropriate depreciation or user fee, including any and all freight charges being levied against the consumer.

*To obtain Service* It will be the consumer's responsibility to transport the appliance (at their own expense) to the original retailer (point of purchase) or a service depot for repair. Contact your dealer from whom your unit was purchased, or contact your nearest authorized Danby service depot, where service must be performed by a qualified service technician.

If service is performed on the units by anyone other than an authorized service depot, or the unit is used for commercial application, all obligations of Danby under this warranty shall be at an end.

Nothing within this warranty shall imply that Danby will be responsible or liable for any spoilage or damage to food or other contents of this appliance, whether due to any defect of the appliance, or its use, whether proper or improper.

### EXCLUSIONS

Save as herein provided, Danby Products Limited (Canada) or Danby Products Inc. (U.S.A.), there are no other warranties, conditions, representations or guarantees, express or implied, made or intended by Danby Products Limited or its authorized distributors and all other warranties, conditions, representations or guarantees, including any warranties, conditions, representations or guarantees under any Sale of Goods Act or like legislation or statute is hereby expressly excluded. Save as herein provided, Danby Products Limited (Canada) or Danby Products Inc. (U.S.A.), shall not be responsible for any damages to persons or property, including the unit itself, howsoever caused or any consequential damages arising from the malfunction of the unit and by the purchase of the unit, the purchaser does hereby agree to indemnify and save harmless Danby Products Limited from any claim for damages to persons or property caused by the unit.

### GENERAL PROVISIONS

No warranty or insurance herein contained or set out shall apply when damage or repair is caused by any of the following:

- 1) Power Failure.
- 2) Damage in transit or when moving the appliance.
- 3) Improper power supply such as low voltage, defective house wiring or inadequate fuses.
- 4) Accident, alteration, abuse or misuse of the appliance such as inadequate air circulation in the room or abnormal operating conditions, (extremely high or low room temperature).
- 5) Use for commercial or industrial purposes.
- 6) Fire, water damage, theft, war, riot, hostility, acts of God such as hurricanes, floods etc.
- 7) Service calls resulting in customer education.

Proof of purchase date will be required for warranty claims; so, please retain bills of sale. In the event warranty service is required, present this document to our AUTHORIZED SERVICE DEPOT.

**Warranty Service**

Carry-In

Danby Products Limited  
PO Box 1778, 5070 Whitelaw RD, Guelph, Ontario, Canada N1H 6Z9  
Telephone: (519) 837-0920 FAX: (519) 837-0449

Danby Products Inc.  
PO Box 669, 101 Bentley Court, Findlay, Ohio, U.S.A. 45839-0669  
Telephone: (419) 425-8627 FAX: (419) 425-8629

06/06

## Safety Instructions

### ATTENTION

#### GROUNDING INSTRUCTIONS

This appliance must be grounded. In the event of an electrical short circuit, grounding reduces the risk of electrical shock by providing an escape wire for the electrical current. This appliance is equipped with a cord having a grounding wire with a grounding plug. The plug must be plugged into an outlet that is properly installed and grounded.

**WARNING** - Improper use of the grounding plug can result in a risk of electric shock. Consult a qualified electrician or serviceman if the grounding instructions are not completely understood, or if the doubt exists as to whether the appliance is properly grounded.

#### DO NOT USE AN EXTENSION CORD

Use an exclusive wall outlet. Do not connect your refrigerator to extension cords or together with any other appliance in the same wall outlet. Do not splice the cord.

#### IMPORTANT WARNING

An empty refrigerator is a very dangerous attraction to children. Remove either the gasket, latches, lids or doors from unused appliances, or take some other action that will guarantee it harmless.

**DANGER:** Risk of child entrapment. Before you throw away your old refrigerator or freezer:

- Take off the doors
- Leave the shelves in place so that children may not easily climb inside.

**DON'T WAIT DO IT NOW!**

## Installation

Remove the exterior and interior packings, wipe the outside thoroughly with a soft dry cloth and the inside with a wet, lukewarm cloth. Avoid placing the cabinet in a narrow recess or near any heat source, direct sunlight, or moisture. Let air circulate freely around the cabinet. Keep the rear of the refrigerator 5 inches away from the wall.

## Location

1. Select a place with a strong, level floor.
2. Allow 5 inches of space between the back of the refrigerator and any adjacent wall.
3. Avoid direct sunlight and heat. Direct sunlight may affect the acrylic coating. Heat sources nearby will cause higher electricity consumption.
4. Avoid very moist places. Too much moisture in the air will cause frost to form very quickly on the evaporator, and your refrigerator will have to be defrosted very frequently.

## Operation

To avoid vibration, the cabinet must be set level. To start the refrigerator, turn the temperature control to the position corresponding to the desired cooling. The refrigerator temperature will vary depending on the quantity of the food stored and on the frequency with which the door is opened.

Turn the control to the "O" position to temporarily disconnect the cooling cycle. After defrosting and if the refrigerator has been left out of use for some time, set the control to maximum for 2 to 3 hours before turning to the desired position. When the refrigerator is not to be used for a long period of time, disconnect the plug and leave the door partially open.

Note: Wait 3 to 5 minutes before restarting if operation has been interrupted

## Ice Cube Tray

Ice cube tray is flexible. Twist tray to remove ice cubes. If the ice cube tray is frozen hard to the evaporator surface, run a little water over the tray. Never use a knife or other metal instrument to remove ice cube tray because this may damage the evaporator. (Fig. C)

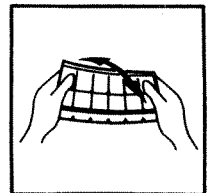


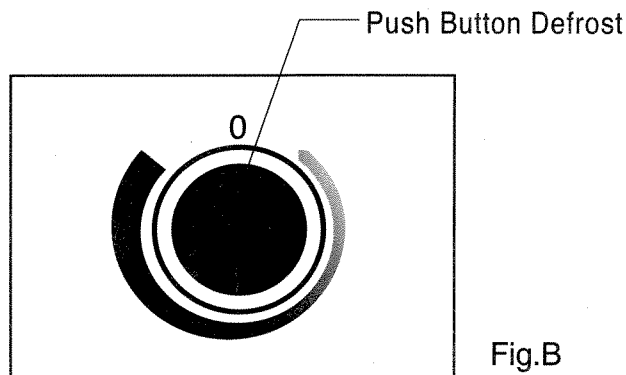
Fig. C

## Care and Maintenance

### Cleaning

To clean the inside, use a soft cloth and a solution of a tablespoon of baking soda to one quart of water, or a mild soap suds solution, or some mild detergent. Wash ice cube tray, drip tray, and glide out shelves in a mild detergent solution, then dry and wipe with a soft cloth. Clean the outside with a soft damp cloth and some mild detergent or appliance cleaner

### Defrosting



This refrigerator is equipped with a "Push Button" (semi-automatic) defrost thermostat system. To activate the defrost cycle, simply push ( in ) the red defrost button located in the center of the control knob/dial. ( do not turn the control knob/dial to zero=off ) The defrost cycle is initiated immediately. When defrosting is complete, the "Push Button" will release (pop-out) automatically and resume normal operating conditions at the same temperature setting.

**NOTE:** If the "push Button" is activated (pushed-in) accidentally, it will not be possible to "manually" pull-out the push button. (deactivate the defrost cycle) You must either let the defrost cycle run its course or.

\* Apply (hold) a dishcloth soaked in hot water against the thermostat capillary line and bracket, located on the underside of the freezer compartment. The heat transfer from the dish cloth will cause a temperature rise on the thermostat capillary, (sensing line) causing the internal contacts to close. This will resume normal operating conditions. It may take several minutes and/or repeat applications before the push button will release.

Defrosting of your refrigerator should take place whenever ice build-up inside the freezer compartment reaches 1/4" (6mm) thick. Defrosting may take a few hours, depending on the amount of accumulated ice and ambient indoor temperature. To speed-up the defrosting process, remove all frozen foods from the freezer section. Leaving the door partially ajar for a "short" period of time will also speed-up the process.

**IMPORTANT:** You must remember to close the refrigerator door before the defrost cycle terminates and normal operating conditions resume automatically. The drip tray should be in position directly below the freezer compartment to catch evaporated water during defrosting.

**IMPORTANT NOTICE:** Never use sharp or pointed instruments to defrost/remove ice from the evaporator/freezer compartment. The evaporator/freezer compartment contains refrigerated gas lines and if accidentally punched/pierced, will render the refrigerator inoperable and "void" the manufacturers warranty.

**DO NO ALLOW THE REFRIGERATOR TO CONTINUE OPERATION IF THE FREEZER COMPARTMENT IS PIERCED.**

After defrosting is complete, set the control to maximum for 2 to 3 hours before turning to the desired position. When the refrigerator is not to be used for a long period of time, disconnect the appliance from the electrical supply and leave the door partially open. This will help to reduce mold and mildew build-up.

**NOTE:** Wait 3 to 5 minutes before attempting to restart the refrigerator if operation has been interrupted

### Vacation Time

For short vacation periods, leave the control knobs at their usual settings. During longer absences, (a) remove all foods, (b) disconnect from electrical outlet, (c) clean the refrigerator thoroughly, including defrost pan, (d) leave door open to avoid possible formations of condensate, mold or odors.

## **Power Failure**

Most power failures are corrected within an hour or two and will not affect your refrigerator temperatures. However, you should minimize the number of door openings while the power is off. During power failures of longer duration, take steps to protect your food by placing dry ice on top of packages.

## **If You Move**

Remove or securely fasten down all loose items inside the refrigerator. To avoid damaging the leveling screws, turn them all the way into the base.

## **Some Important Rules for the Correct Use of the Refrigerator**

- Never place hot foods in the refrigerator.
- Beverages should be stored in sealed containers.
- Foods to be stored for a long time should be wrapped in cellophane or polyethylene, or kept in glass containers. Never place spoiled foods in the cabinet.
- Don't overload the cabinet.
- Don't open the door unless necessary.
- Should the refrigerator be stored without use for long periods it is suggested, after a careful cleaning, to leave the door ajar to allow the air to circulate inside the cabinet in order to avoid possible formations of condensate, mold or odors.

## **Food Storage Suggestions**

### **Fresh Food Compartment**

- Never cover food compartment shelves with aluminum foil or any other shelf covering material which may prevent air circulation.
- Always remove porous store wrapping paper from meats, poultry and fish. Meats should be wrapped individually and placed in a dish for storage. Wrap fish and poultry in foil or heavy waxed paper. Most fish should be used the same day of purchase. Packaged meats such as ham, bacon, dried beef, or frankfurter, store best in their original packages.

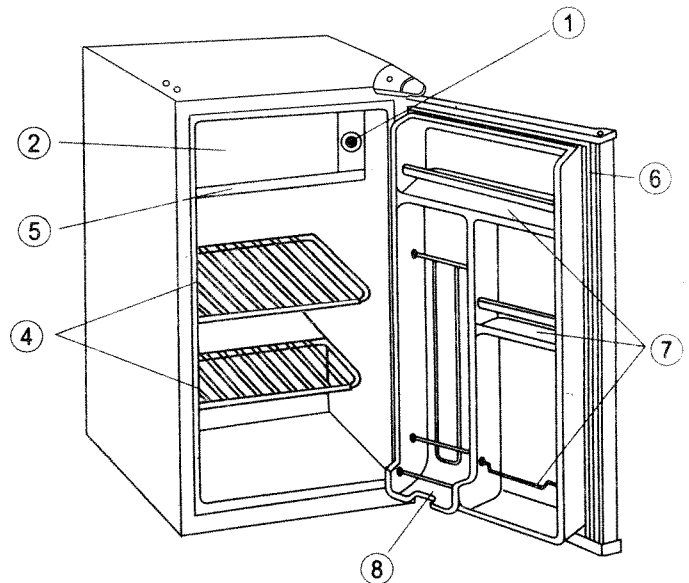
- Allow warm foods to cool to room temperature before placing them in the refrigerator.
- Always cover open dishes of food, especially leftovers. Use leftovers within 2 or 3 days.

## Technical and Structural Operation Features

Hermetically sealed cooling unit with midget 2 pole motor. Rustproof anodized "Roll-Bond" aluminum freezer (or Pipe on Sheet aluminum freezer) of high thermal conductivity. Adjustable thermostat for automatic temperature control.

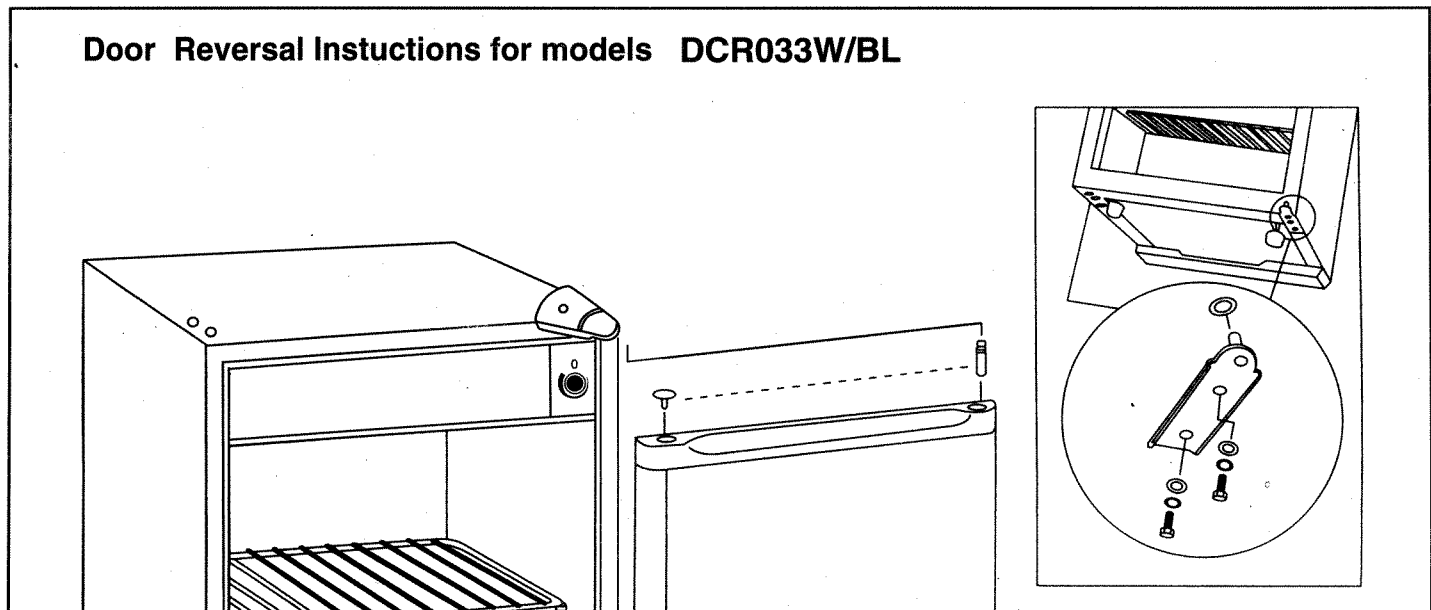
Cabinet bonderized and acrylic-enameled according to the most modern electrostatic spraying techniques. High-density polyurethane thermal insulation. Magnetic door closure gasket.

1. **THERMOSTAT DIAL:** For controlling the temperature inside the refrigerator. Turns the motor on as soon as the temperature rises above the desired level.
2. **FREEZING COMPARTMENT WITH FREEZER DOOR:** Separate freezer section holds ice cube tray and small items.
3. **ICE CUBE TRAY:** Ice cubes are easily removed from the tray. (Not Shown)
4. **PLASTIC COATED SHELVES:** Odor resistant, rustproof, and removable for easy cleaning.
5. **DRIP TRAY:** Catches the water that drips off the evaporator when defrosting.
6. **MAGNETIC GASKET:** Tight fitting door seal keeps all the cooling power locked inside. No hooks or latches.
7. **BOTTLE RACK:** For tall, medium, and large bottles, cans or jars.
8. **CANSTOR DOOR LINER :** Holds 355 ml cans of pop, juice, or beer.



**DCR033W**  
**DCR033BL**

### Door Reversal Instructions for models DCR033W/BL



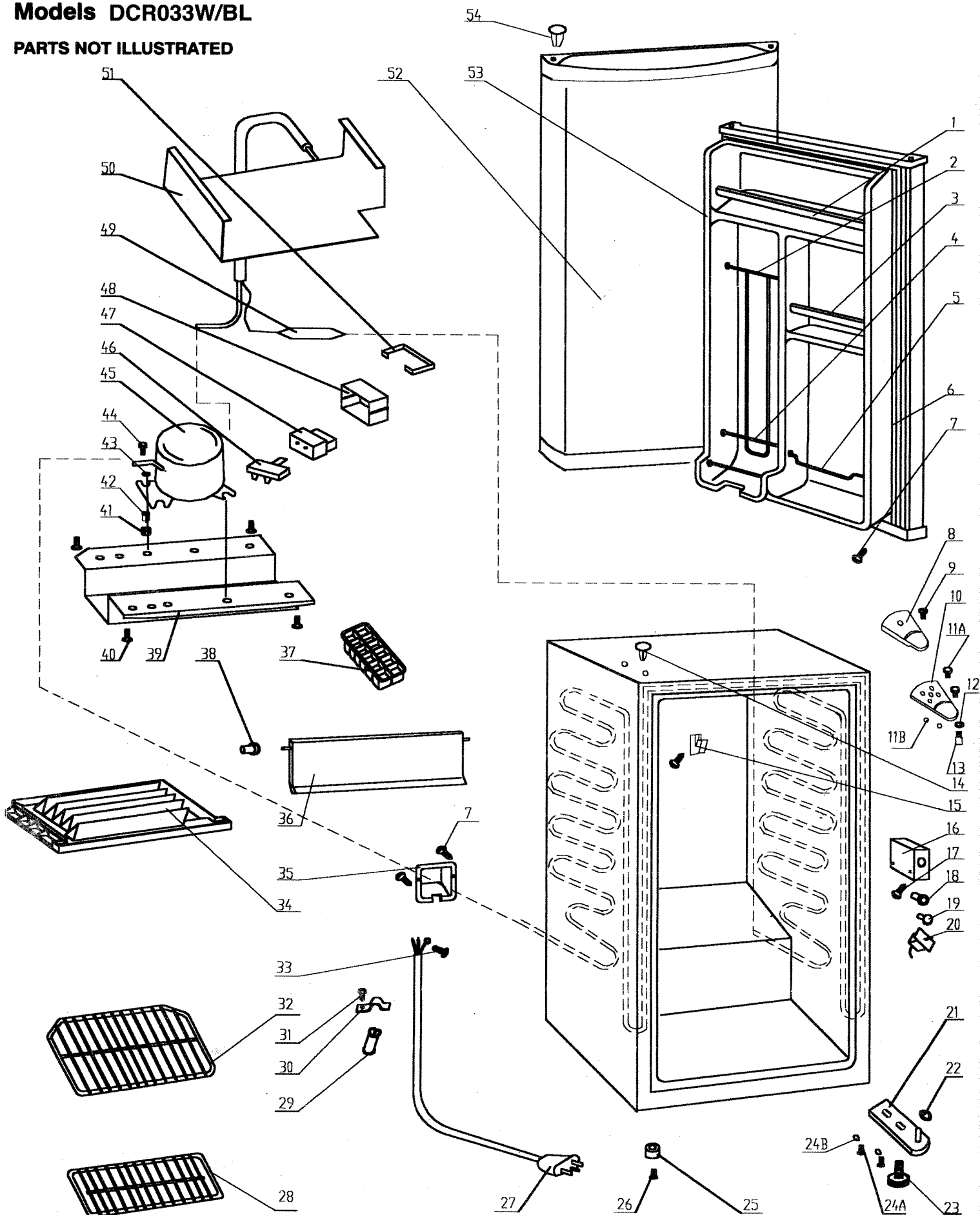
## PARTS LIST

Illus. NO.	Description	DCR033W Part No.	DCR033BL Part NO.
1	Upper Door Shelf Bar	34.2	34.2
2	Can Support (Chute Bar)	432.2A	432.2A
3	Middle Door Shelf Bar	34.3	34.3
4	Can Support (Chute Bar)	432.2B	432.2B
5	Lower Door shelf bar (2 Lirte)	34.4	34.4
6	Door Gasket	34.5 (LG)	34.5 (LG)
7	Door Self tapping screw	432.6	432.6
8	Hing Cove	054.7 (W)	054.7 (BL)
9	Hinge Cove Screw	54.8	54.8
10	Upper Hinge	054.9(W)	054.9(BL)
11A	Hinge Screw	054.10A	054.10A
11B	Lock Washer	054.10B	054.10B
12	Washer	054.10C	054.10C
13	Hinge Pin	432.11	432.11
14	Hinge Plug	033.14	033.14
15	One Gallon Support Bar	033.15 (W)	033.15(BL)
16	Thermostat Box	34.8	34.8
17	Thermostat screw	432.6	432.6
18	Thermostat Knob	432.13	432.13
19	Defrost Push Button	432.14	432.14
20	Thermostat	432.15	432.15
21	Bottom Hinge	34.9 (W)	34.9 (BL)
22	Washer	432.18	432.18
23	Adjustable Foot	432.19	432.19
24A	Bottom Hinge Screw	432.20A	432.20A
24B	Washer	432.20C	432.20C
25	Foot	432.21	432.21
26	Fixed Foot Screw	432.22	432.22
27	Power Supply Cord	432.23	432.23
28	Split Shelf	34.10A	34.10A
29	Wire Clip	432.26	432.26
30	Load Wire Clamp	432.27	432.27
31	Self Tapping Screw	432.28	432.28
32	Full Size Shelf	34.10B	34.10B
33	Machine Screw	432.31	432.31
34	Drip Tray	34.11	34.11
35	Splic Box	432.32	432.32
36	Evaporator Door	34.12	34.12
37	Ice Cube tray	432.35	432.35
38	Evaporator Door Grommet	432.36	432.36
39	Compressor Bass	054.33 (W)	054.33 (BL)
40	Compressor Bass Bolt	432.38	432.38
41	Rubber Grommet	432.39	432.39
42	Sleeve	432.40	432.40
43	Compressor Bolt Washer	432.41	432.41
44	Compressor Bolt	432.42	432.42
45	Compressor	432.43	432.43
46	Overload Protector	432.44	432.44
47	PTC Thermistor	432.45	432.45
48	Relay Cover	432.26	432.26
49	Dryer	432.47	432.47
50	Evaporator Assembly	34.13	34.13
51	Relay Cover Retainer	432.49	432.49
52	Door	34.14 (W)	34.14 (BL)
53	Door Liner	34.15	34.15
54	Hinge Plug (Door)	432.54(W)	432.54(BL)

# REPAIR PARTS

## Models DCR033W/BL

PARTS NOT ILLUSTRATED





# DIPLOMAT® GARANTIE LIMITÉE DE RÉFRIGÉRATEUR COMPACT

Cet appareil de qualité est garanti exempt de tout vice de matière première et de fabrication, s'il est utilisé dans les conditions normales recommandées par le fabricant.

Cette garantie n'est offerte qu'à l'acheteur initial de l'appareil vendu par Danby ou par l'un des ses distributeurs agréés et elle ne peut être transférée.

## CONDITIONS

Les pièces en plastique sont garanties pour trente (30) jours seulement à partir de la date de l'achat, sans aucune prolongation prévue.

*Première 12 mois* Pendant les première douze (12) mois, toutes pièces électriques de ce produit s'avèrent défectueuses, y compris les unités ayant des systèmes obturés, seront réparées ou remplacées, selon le choix du garant, sans frais à l'acheteur INITIAL.

*48 Mois Supplémentaires* Pendant les prochaines quarante huit (48) mois, les pièces s'avèrent défectueuses (y compris le: compresseur, condensateur, évaporateur, sècheuse, et tous leurs boyaux) seront remplacés sans frais. L'acheteur est responsable envers tous les frais de main-d'oeuvre et de transport pendant cette période pour la réparation et le rechange sur tous les composants du système obturé. Toute unité de diagnostic inadéquate due à un vice du système obturé et qui exige une unité de rechange subira un taux de dépréciation convenable ou à un frais pour l'acheteur. Ceci inclut tous les frais de transport qui seront imposés contre l'acheteur.

*Pour bénéficier du Service sous Garantie* Le client sera responsable pour le transport et tous les frais d'expédition de tout appareil exigeant le service au dépôt de service autorisé le plus proche. S'adresser au détaillant qui a vendu l'appareil, ou à la station technique agréée de service la plus proche, où les réparations doivent être effectuées par un technicien qualifié. Si les réparations sont effectuées par quiconque autre que la station de service agréée où à des fins commerciales, toutes les obligations de Danby en vertu de cette garantie seront nulles et non avenues.

Cette garantie indique en aucun temps la responsabilité de Danby de l'avarie ou dommage de la nourriture ou autre contenu, soit par les vices de l'appareil, ou soit par l'utilisation convenable ou inexacte.

## EXCLUSIONS

En vertu de la présente, il n'existe aucune autre garantie, condition ou représentation, qu'elle soit exprimée ou tacite, de façon manifeste ou intentionnelle, par Danby Products Limitée (Canada) ou Danby Products Inc. (E.- U. d'A.) ou ses distributeurs agréés. De même, sont exclues toutes les autres garanties, conditions ou représentations, y compris les garanties, conditions ou représentations en vertu de toute loi régissant la vente de produits ou de toute autre législation ou règlement semblables.

En vertu de la présente, Danby Products Limitée (Canada) ou Danby Products Inc. (E.- U. d'A.) ne peut être tenue responsable en cas de blessures corporelles ou des dégâts matériels, y compris à l'appareil, quelle qu'en soit les causes. Danby ne peut pas être tenue responsable des dommages indirects dus au fonctionnement défectueux de l'appareil. En achetant l'appareil, l'acheteur accepte de mettre à couvert et de dégager Danby Products Limitée de toute responsabilité en cas de réclamation pour toute blessure corporelle ou tout dégât matériel causé par cet appareil.

## CONDITIONS GÉNÉRALES

La garantie ou assurance ci-dessus ne s'applique pas si les dégâts ou réparations sont dus aux cas suivants:

- 1) Panne de courant;
- 2) Dommages subis pendant le transport ou le déplacement de l'appareil;
- 3) Alimentation électrique incorrecte (tension faible, câblage défectueux, fusibles incorrects);
- 4) Accident, modification, emploi abusif ou incorrect de l'appareil;
- 5) Utilisation dans un but commercial ou industriel;
- 6) Incendie, dommages causés par l'eau, vol, guerre, émeute, hostilités, cas de force majeure (ouragan, inondation, etc.);
- 7) Visites d'un technicien pour expliquer le fonctionnement de l'appareil au propriétaire.

Une preuve d'achat doit être présentée pour toute demande de réparation sous garantie. Prière de garder le reçu. Pour faire honorer la garantie, présenter ce document à la station technique agréée.

Service sous-garantie

En Atelier

Danby Products Limited  
PO Box 1778, 5070 Whitelaw RD, Guelph, Ontario, Canada N1H 6Z9  
Telephone: (519) 837-0920 FAX: (519) 837-0449

Danby Products Inc.  
PO Box 669, 101 Bentley Court, Findlay, Ohio, U.S.A. 45839-0669  
Telephone: (419) 425-8627 FAX: (419) 425-8629

06/06

## Consignes de sécurité

### ATTENTION

#### MISE À LA TERRE

Cet appareil doit être mis à la terre. En cas de court-circuit, la mise à la terre réduit les risques de décharge électrique en fournissant un échappatoire au courant électrique. L'appareil est muni d'un cordon électrique comprenant un fil de mise à la terre et une fiche de terre. Branchez la fiche dans une prise de courant correctement installée et mise à la terre.

**Avertissement** - Consultez un électricien ou un technicien qualifié si vous ne comprenez pas bien les instructions de mise à la terre ou si vous avez un doute quelconque sur la bonne mise à la terre de l'appareil.

#### N'UTILISER JAMAIS DE FIL DE RALLONGE

S'il est possible, brancher le réfrigérateur à son propre circuit. Ainsi, les autres appareils ou la surcharge des lampes du domicile ne peuvent pas surcharger et interrompre le courant électrique. Une connexion desserrée peut se doubler à un autre appareil dans la même prise murale.

#### PRÉCAUTION IMPORTANTE

Un réfrigérateur vide est une attraction dangereuse aux enfants. Enlever les joints étanches, les loquets, les couvercles ou les portes des appareils qui ne sont pas utilisés, ou faites de sorte que l'appareil ne présente aucun danger.

**DANGER:** Risque des enfants deviennent coincés dans l'appareil

Avant de jeter votre ancien réfrigérateur ou congélateur:

- Enlevez les portes
- Laissez les clayettes à ses places afin que des enfants ne puissent pas monter facilement dans l'appareil.

#### N'ATTENDEZ PAS! FAITES-LE IMMÉDIATEMENT!

## Installation

Enlever les emballages extérieurs et intérieurs. Essuyer complètement l'extérieur avec un linge doux sec et l'intérieur avec un linge humide tiède. Il ne faut jamais situer l'appareil dans un recoin étroit, proche d'une source d'air chaud. L'air doit circuler à l'entour de l'appareil. Éloigner le réfrigérateur au moins 5 pouces du mur.

## Emplacement

1. Choisir une place qui a un plancher fort et à niveau.
2. Éloigner l'appareil de 5 pouces des murs arrière et de côté.
3. Éviter les rayons de soleil et la chaleur directs qui peuvent affecter la surface en acrylique. Les sources de chaleur rapprochées augmentent la consommation d'énergie.
4. Éviter les endroits très humides. L'humidité élevée dans l'air occasionne la formation rapide de gèle sur l'évaporateur et le réfrigérateur. Le réfrigérateur devra être dégivré fréquemment.

## Fonctionnement

Il faut s'assurer que le meuble de l'appareil est à niveau afin d'éviter la vibration. Mettre l'appareil en marche en tournant la commande du thermostat à la position désirée de refroidissement. La température du réfrigérateur varie selon la quantité d'aliments rangés et du nombre d'ouverture de la porte.

Régler la commande à la position "O" pour arrêter temporairement le cycle de refroidissement. Après la décongélation ou si l'appareil n'a pas été en marche pendant un bout de temps, régler la commande à la position maximum pendant 2 à 3 heures et puis retourner à la position désirée. Si le réfrigérateur ne doit pas être en marche pendant quelques temps, débrancher la prise et laisser la porte entre-ouverte.

À NOTER: Retarder la mise en marche de 3 à 5 minutes si le fonctionnement a été interrompu.

## Moule à Glaçons

Le moule à glaçons est flexible. Tourner-le pour enlever les glaçons. Si le moule est surgelé et collé à la surface de l'évaporateur, verser un peu d'eau tiède. Ne jamais utiliser de couteaux ou d'autres instruments en métal pour enlever le moule à glaçons car ceux-ci peuvent endommager l'évaporateur. (Fig. C)

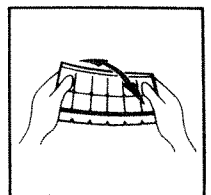
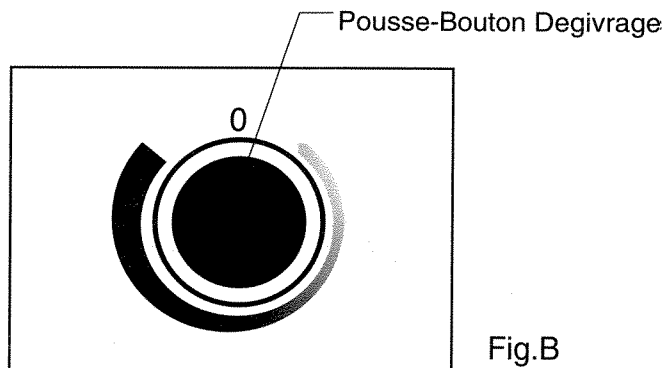


Fig. C

### Entretien

Pour nettoyer l'intérieur, utiliser un linge doux, et une solution de 2 cuillères à table de bicarbonate de soude par pinte d'eau, ou une solution savonneuse douce, ou de détergent doux. Laver le moule à glaçons, le bac d'écoulement et les clayettes amovibles dans une solution de détergent doux, sécher avec un linge doux. Nettoyer l'extérieur avec un linge doux humide et un peu de détergent doux ou un nettoyeur conçu pour les appareils.

### Dégivrage



Ce réfrigérateur fonctionne avec un pousse-bouton (semiautomatique) système de dégivrage avec thermostat. Pour activer le cycle de dégivrage, poussez le bouton de dégivrage rouge qui se trouve au centre de contrôle (Ne tournez pas le bouton de contrôle à zéro = éteinte). Le cycle de dégivrage commence immédiatement. Quand la décongélation est complète le pousse-bouton se dégagera automatiquement et résume les conditions normales d'opération au même réglage de température.

**Note:** Si par hasard vous activez le pousse-bouton, il ne sera pas possible de le sortir à la main (de désactiver le cycle de dégivrage). C'est nécessaire de laisser continuer le cycle de dégivrage ou:

\* Appliquez une lavette trempée dans l'eau chaude contre la ligne du thermostat capillaire et le support, situé au dessous du compartiment du congélateur. La température augmentera dès que la chaleur de la lavette touche la ligne du thermostat capillaire (linge de détecteur) qui causera les contacts internes à fermer. Les conditions normales d'opération résumeront. Ça pourrait prendre quelques minutes ou vous pouvez répéter les applications avant que le pousse-bouton dégage.

Il est nécessaire de dégivrer le congélateur chaque fois que l'accumulation de glace arrive à une épaisseur de 1/4 (6mm). Ça pourrait prendre quelques heures pour dégivrer le congélateur, dépendent de la quantité de glace accumulée et la température ambiante de la pièce. Pour accélérer le processus de décongélation, enlevez tout les produits surgelés du congélateur. En laissant la porte entrebâillée pour un peu de temps pourrait accélérer le processus.

**IMPORTANT:** N'oubliez pas de fermer la porte du réfrigérateur avant que la décongélation se termine et les conditions normales d'opération résumées automatiquement. Le plateau d'égouttement devrait être en place directement sous le compartiment du congélateur pour attraper l'eau évaporée durant la décongélation.

**AVIS IMPORTANT:** N'utiliser jamais de ustensiles tranchants ou aiguisés pour dégivrer/enlever la glace du compartiment de congélation/évaporation.

Le compartiment de congélation/évaporation contient des tuyaux de gaz réfrigérés et si ils sont crevés ou percés, le réfrigérateur sera inopérable et la garantie de fabricant sera rendue nulle. **SI LE COMPARTIMENT DE CONGELATION EST PERCÉ, ÉTEINDRE LE RÉFRIGÉRATEUR.**

Après le dégivrage est fini, tourner la commande de température au refroidissement maximum pendant 2 à 3 heures avant de la tourner au refroidissement désiré. Si on n'utilise pas le réfrigérateur pendant longtemps, débrancher l'appareil et laisser la porte partiellement ouverte pour réduire l'accumulation de moisissure.

**REMARQUE:** Si le fonctionnement a été interrompu, attendre 3 à 5 minutes avant de mettre le réfrigérateur en marche.

### Pendant les Vacances

Si vous prenez des vacances d'un mois ou moins, ne touchez pas à la commande du thermostat. Pendant les vacances plus prolongées: (a) enlever tous les aliments, (b) débrancher l'appareil, (c) nettoyer tout le réfrigérateur, y compris le bac d'écoulement, (d) laisser la porte ouverte pour éviter les mauvaises odeurs.

## **Panne D'électricité**

La plupart des pannes d'électricité sont corrigées dans un délai d'une heure et n'ont pas d'effets sur la température du réfrigérateur. Il est nécessaire de réduire le nombre d'ouverture de la porte pendant une panne.

Pendant les pannes qui durent plus qu'une heure, protéger vos aliments en déposant un bloc de glace sèche par-dessus les emballages. Si la glace n'est pas disponible, essayer d'utiliser temporairement de l'espace de votre entrepôt à froid régional.

## **Déménagement**

Enlever ou immobiliser toutes les pièces amovibles à l'intérieur du réfrigérateur. Serrer les vis à nivellement à la base afin de ne pas les endommager.

## **Importantes Consignes de Sécurité pour L'utilisation du Réfrigérateur**

- Ne jamais ranger d'aliments chauds dans le réfrigérateur.
- Ranger les breuvages dans des contenants étanches.
- Pour le rangement à longue durée, envelopper les aliments dans une pellicule cellophane ou polyéthylène, ou des contenants en verre. Ne jamais ranger d'aliments avariés dans l'appareil.
- Ne jamais surchargé l'appareil.
- Ouvrir la porte seulement si nécessaire.
- Pour un rangement prolongé de l'appareil, il est suggéré de laver l'appareil, de laisser la porte ouverte afin de fournir une circulation d'air à l'intérieur du meuble et d'éviter le développement de condensation, de moisissure et d'odeurs.

## **Rangements des Aliments**

### **Compartiments pour Aliments Frais**

- Ne jamais recouvrir les clayettes du compartiment de papier d'aluminium ou autres matériaux car ceci peut empêcher la circulation d'air.
- Enlever toujours les emballages perméables du marchand qui recouvrent la viande, volaille et le poisson. Les viandes doivent être emballées individuellement, et déposées dans un récipient pour le rangement. Emballer la volaille ou le poisson dans du papier aluminium ou du papier ciré épais. Faites cuire la plupart de sorte de poissons le jour de l'achat. Les viandes emballées par le marchand, telles que le jambon, le bacon, le boeuf sec, ou les saucisses fumées se rangent très bien dans leur emballage.

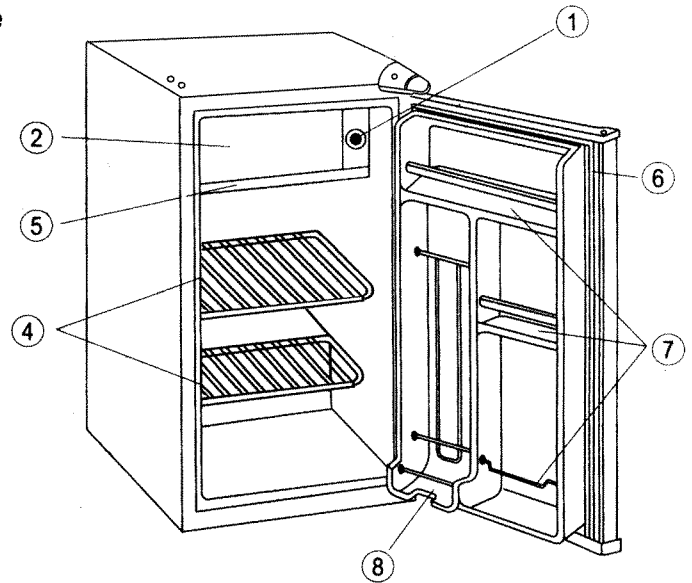
- Laisser refroidir les aliments à la température de la pièce avant de les ranger dans le réfrigérateur.
- Toujours recouvrir les aliments, surtout les restants. Utiliser les restants avant 2 à 3 jours.

## Caractéristiques Techniques et de Construction

Appareil à moteur miniature avec 2 pôles hermétiquement scellé. Congélateur en aluminium anti-rouille en anodisé laminé roulé (ou congélateur "tube sur plaque d'aluminium") de haute conductivité thermique.

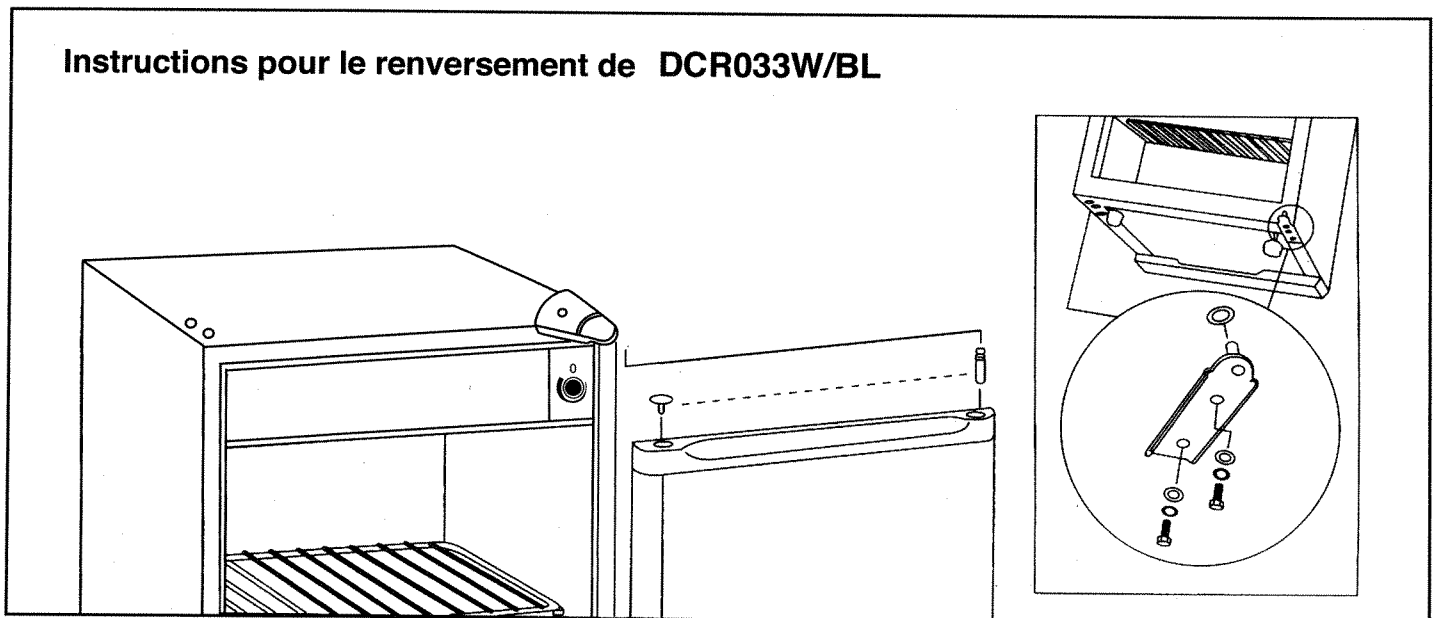
Thermostat pour réglage automatique de la température. Meuble laminé et émaillé selon les techniques de peinture au pistolet les plus modernes. Isolation thermique en polyuréthane de haute densité et joint étanche magnétique de porte.

1. CADRAN DU THERMOSTAT: Règle la température intérieure du réfrigérateur. Met le moteur en marche dès que la température dépasse le niveau désiré.
2. COMPARTIMENT DE CONGÉLATEUR AVEC PORTE: Section séparée pour la congélation contient les moules à glaçons et petits articles.
3. MOULE À GLACONS: Démoulage facile des glaçons. (non-illustré)
4. CLAYETTES PLASTIFIÉES: Résistent aux odeurs et à la rouille. Amovibles pour faciliter l'entretien.
5. BAC D'ÉCOULEMENT: Pour récupérer l'eau qui coule de l'évaporateur pendant le dégivrage.
6. JOINT ÉTANCHE MAGNÉTIQUE: Le joint étanche empêche l'air frais de s'échapper.
7. PORTE-BOUTEILLES: Pour les bouteilles, boîtes métalliques et bocaux.
8. PARI DE PORTE CANSTOR: Range les boîtes de boisson gazeuse, jus ou bière de 355mL.



**DCR033W**  
**DCR033BL**

## Instructions pour le renversement de DCR033W/BL



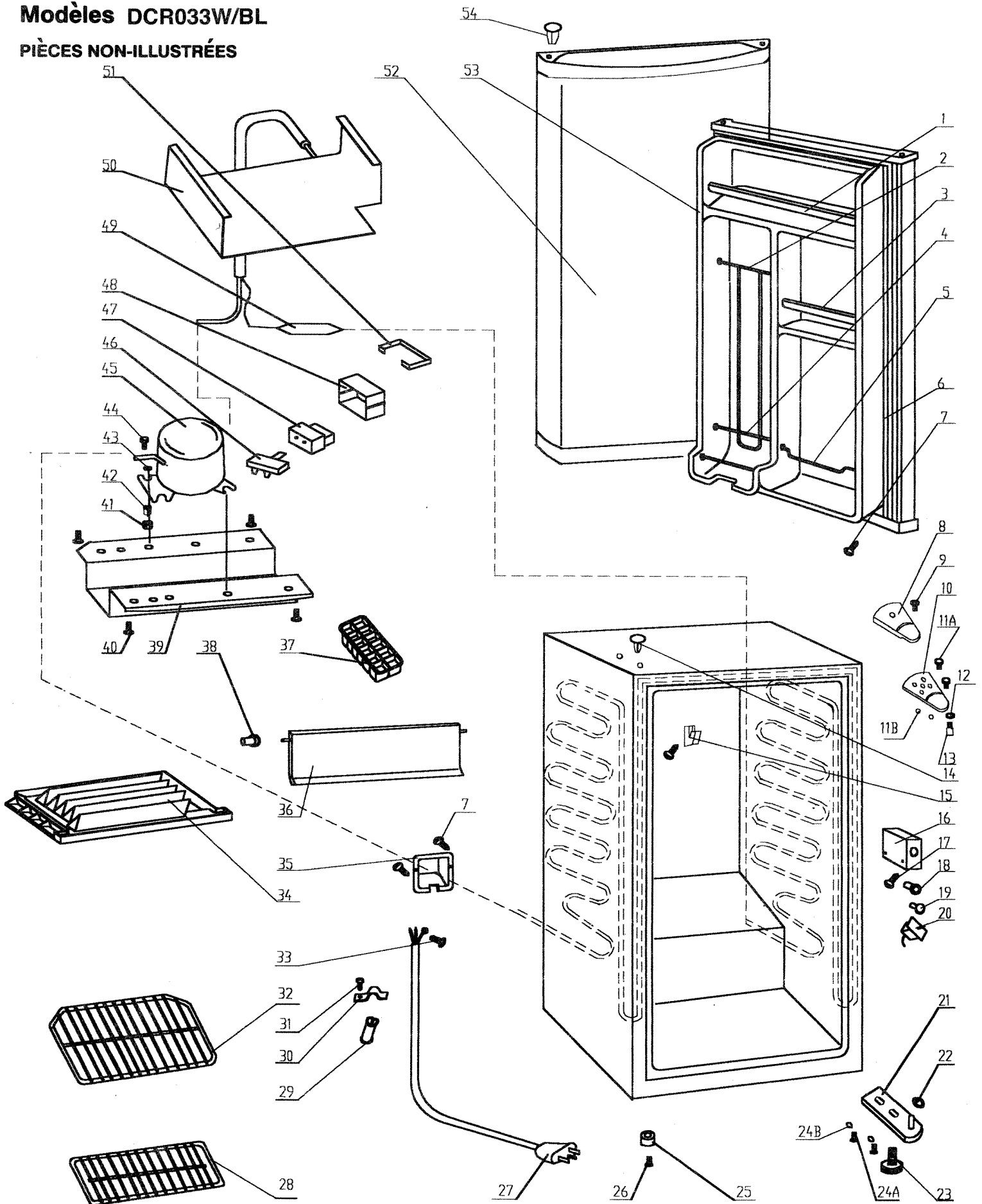
# LISTÈ DES PIÈCES

N° III	Description	N° Pièce DCR033W	N° Pièce DCR033BL
1	Barre du balconet du haut de la porte	34.2	34.2
2	Garde-boîte (chute)	432.2A	432.2A
3	Barre du balconet du moyen de la porte	34.3	34.3
4	Garde-boîte (chute)	432.2B	432.2B
5	Garde-boîte (chute)	34.4	34.4
6	Joint étanche de la porte	34.5 (LG)	34.5 (LG)
7	Vis à tôle	432.6	432.6
8	Couvercle de la charnière de porte	054.7 (W)	054.7 (BL)
9	Vis du couvercle de la charnière de porte	54.8	54.8
10	Goujon de charniere	54.9	54.9(BL)
11A	Vis de haut et bas de la charnière de porte	054.10A	054.10A
11B	Rondelle de blocage	054.10B	054.10B
12	Un rondelle	054.10C	054.10C
13	Goujon de charnière	432.11	432.11
14	Goujon de charnière	033.14	033.14
15		033.15 (W)	033.15 (BL)
16	Boîte de thermostat	34.8	34.8
17	Vis de haut et bas de la charnière de porte	432.6	432.6
18	Bouton de thermostat	432.13	432.13
19	Dégivrage Pousse-Bouton	432.14	432.14
20	Thermostat	432.15	432.15
21	Charnière du dessous	34.9 (W)	34.9 (BL)
22	Un rondelle	432.18	432.18
23	Pattre de nivellement	432.19	432.19
24A	Vis d'armature de charnière de la plaque du haut-bas	432.20A	432.20A
24B	Un rondelle	432.20C	432.20C
25	Patte	432.21	432.21
26	Vis de la patte stationnaire	432.22	432.22
27	Cordon d'alimentation	432.23	432.23
28	Claytte-demi	34.10A	34.10A
29	Attache du fil de surcharge	432.26	432.26
30	Attache du fil de surcharge	432.27	432.27
31	Vis à tôle	432.28	432.28
32	Claytte pleine largeur	34.10B	34.10B
33	Vis à métaux	432.31	432.31
34	Bac d'écoulement	34.11	34.11
35	Boîte de jonction	432.32	432.32
36	Porte de l'évaporateur	34.12	34.12
37	Moule à glaçons	432.35	432.35
38	Grummet de la porte de l'évaporateur	432.36	432.36
39	Base du compresseur	054.33 (W)	054.33 (BL)
40	Boulon de la base du compresseur	432.38	432.38
41	Grummet en caoutchouc	432.39	432.39
42	Grummet en caoutchouc	432.40	432.40
43	Rondelle du goujon du compresseur	432.41	432.41
44	Goujon du compresseur	432.42	432.42
45	Compresseur	432.43	432.43
46	Protecteur contre surcharge	432.44	432.44
47	Thermistor PTC	432.45	432.45
48	Couvercle de relais	432.26	432.26
49	Sécheur	432.47	432.47
50	Montage de l'évaporateur	34.13	34.13
51	Dispositif de retenue du couvercle de relais	432.49	432.49
52	Porte	34.14 (W)	34.14 (BL)
53	Paroi de la porte(CanStor™)	34.15	34.15
54	Couvercle du goujon de charnière	432.54(W)	432.54(BL)

# PIÈCES DE RECHANGE

## Modèles DCR033W/BL

### PIÈCES NON-ILLUSTRÉES



# DIPLOMAT®

## REFRIGERADOR COMPACTOS GARANTÍA LIMITADA

Este producto de calidad está garantizado contra defectos de fabricación, incluyendo partes y mano de obra, siempre y cuando la unidad se utilice bajo las condiciones normales de funcionamiento para las que fue diseñado.

Esta garantía está solamente disponible para la persona que haya comprado originalmente esta unidad directamente de Danby o uno de sus distribuidores autorizados, y no es transferible.

### CONDICIONES DE LA GARANTÍA

Las piezas plásticas, se autorizan por treinta (30) días solamente a partir de la fecha de la compra, sin las extensiones proporcionadas.

*Primeros 12 Meses* Durante los primeros 12 meses, cualquier parte eléctrica de este producto que resulte defectuosa, incluyendo cualquier sistema sellado, será reparado o reemplazado, a opción del fabricante, sin cargo para el comprador ORIGINAL.

*48 Meses Adicionales* Durante los 48 meses próximos, cualquier parte de los sistemas sellados únicamente, que resulte defectuosa (compresor, condensador, evaporador, secador y todas las tuberías relacionadas) será reemplazada sin cargo.  
Sin embargo, el comprador deberá pagar por toda la mano de obra y gastos de envío durante este período extendido de reparación o reemplazo de los sistemas sellados. Cualquier unidad que se diagnostique como no-reparable debido a un sistema sellado y que deba ser reemplazada durante este período estará sujeta a un cargo por depreciación o cargo de usuario, incluyendo todos los costos de transporte que deba pagar el usuario.

*Para obtener Servicio* El cliente será responsable por transportar dicho artefacto hasta el Taller de Servicio Autorizado más cercano. Comuníquese con el distribuidor donde haya comprado la unidad, o llame al Taller de Servicio Autorizado más cercano, donde debe ser reparada por un técnico calificado. Si esta unidad es reparada en otro lugar que no sea un Taller de Servicio Autorizado, o si la unidad se utiliza para aplicaciones comerciales, Danby no se hará responsable de ninguna forma y la garantía será anulada.

Nada dentro de esta garantía implica que Danby será responsable por cualquier daño que hayan sufrido los alimentos u otros contenidos de este aparato, ya sea debido a un defecto del aparato, o su uso, adecuado o inadecuado.

### EXCLUSIONES

Salvo lo aquí indicado por Danby Products Limited (Canada) o por Danby Products Inc. (U.S.A.), no existen otras garantías, condiciones o representaciones, explícitas o implícitas, concretas o intencionales por parte de Danby Products Limited o sus distribuidores autorizados y todas las demás garantías, condiciones o representaciones, incluyendo cualquier garantía, condiciones o representaciones bajo cualquier Acta de Venta de Productos o legislación o estatuto similar, quedan de esta forma expresamente excluidas. Salvo lo aquí indicado, Danby Products Limited (Canada) o Danby Products Inc. (U.S.A) no serán responsables por ningún daño a personas o bienes, incluyendo la propia unidad, sin importar su causa, o de ningún daño indirecto causado por el desperfecto de la unidad, y al comprar esta unidad, el comprador acepta por la presente, indemnizar y proteger a Danby Products Limited contra cualquier reclamo por daños a personas o bienes causados por la unidad.

### CONDICIONES GENERALES

No se considerará ninguna de estas garantías o seguros cuando el daño o la necesidad de reparación sea el producto de los siguientes casos:

- 1) Falla del suministro eléctrico.
- 2) Daños en tránsito o durante el transporte de la unidad.
- 3) Alimentación incorrecta, como bajo voltaje, instalación eléctrica defectuosa o fusibles inadecuados.
- 4) Accidente, modificación, abuso o uso incorrecto del artefacto, tal como insuficiente ventilación del ambiente o condiciones de operación anormales (temperatura ambiente extremadamente alta o baja).
- 5) Utilización comercial o industrial.
- 6) Incendio, daños por agua, robo, guerra, disturbios, hostilidades, actos de fuerza mayor como huracanes, inundaciones, etc.
- 7) Pedidos de servicio debido a desinformación del usuario.

Para acceder a la garantía se solicitará un comprobante de compra; por lo tanto, guarde su recibo. En caso de necesitar servicio de garantía, presente ese documento al TALLER DE SERVICIO AUTORIZADO.

**Servicio de Garantía**  
Garantía para Llevar a Taller Servicio

Danby Products Limitée  
PO Box 1778, Guelph, Ontario, Canadá N1H 6Z9  
Teléfono: (519) 837-0920 Fax: (519) 837-0449

06/06

Danby Products Inc.  
PO Box 669, Findlay, Ohio, U.S.A. 45839-0669  
Teléfono: (419) 425-8627 FAX: (419) 425-8629



## Instrucciones de seguridad

### ATTENTION

#### INSTRUCCIONES PARA LA CONEXIÓN A TIERRA

Este aparato electrodoméstico debe estar conectado a tierra. En caso de un cortocircuito eléctrico, la conexión a tierra reduce el riesgo de choque eléctrico proporcionando un cable de escape para la corriente eléctrica. Este aparato viene equipado con un cordón que posee un cable a tierra con un enchufe de conexión a tierra. Este enchufe debe estar enchufado en un tomacorriente instalado correctamente y conectado a tierra.

**ADVERTENCIA** - El uso inadecuado del enchufe de conexión a tierra puede resultar en un riesgo de choque eléctrico. Consulte con un electricista o persona de reparaciones competente si no comprende bien las instrucciones de conexión a tierra o si existe alguna duda sobre si el aparato está conectado a tierra correctamente.

#### NO USE UN CORDÓN DE PROLONGACIÓN ELÉCTRICA

Use un tomacorriente de pared exclusivo. No conecte su refrigerador a cordones de prolongación eléctrica o junto a cualquier otro electrodoméstico en el mismo tomacorriente de pared. No empalme cordón.

#### ADVERTENCIA IMPORTANTE:

Un refrigerador vacío es una atracción muy peligrosa para los niños. Saque todas las juntas, pestillos, tapas o la puerta de todo electrodoméstico que no esté en uso, o tome alguna medida para asegurar que no presente peligro.

¡ PELIGRO !

Peligro de atrapar los niños en la unidad

Antes de desechar su antiguo refrigerador o congelador:

- quite las puertas
- Deje las tablas en sus lugares exactos a fin de que los niños no pusieran subir fácilmente a la unidad.

**¡NO ESPERE, HÁGALO AHORA MISMO!**

## Instalación

Saque los embalajes exteriores e interiores, limpie el exterior bien con un paño suave seco y el interior con un paño húmedo y tibio. Evite colocar la caja en un hueco estrecho o cerca de una fuente de calor, luz de sol directa, o lugar húmedo. Deje que el aire circule libremente alrededor de la caja. Mantenga la parte posterior del refrigerador a 5 pulgadas de la pared.

## Ubicación

1. Seleccione un lugar con un piso fuerte y nivelado.
2. Permita cinco pulgadas de espacio entre la parte posterior del refrigerador y toda pared contigua.
3. Evite luz directa del sol o calor. La luz directa del sol puede afectar la capa de acrílico. Las fuentes de calor en su proximidad causarán un consumo mayor de electricidad.
4. Evite lugares muy húmedos. Demasiada humedad en el aire hará que se acumule escarcha rápidamente en el evaporador y deberá descongelar su refrigerador con mucha frecuencia.

## Operación

Para evitar vibraciones, la caja debe estar bien nivelada. Para encender el refrigerador, gire el control de temperatura a la posición que corresponda al enfriamiento deseado. La temperatura del refrigerador variará dependiendo de la cantidad de alimentos almacenados y la frecuencia con que se abre la puerta.

Gire el control a la posición "O" (apagado) para desconectar provisoriamente el ciclo de enfriamiento. Luego de descongelar, y si el refrigerador se ha dejado sin uso por algún tiempo, coloque el control al máximo por 2 o 3 horas antes de graduarlo en la posición deseada. Cuando el refrigerador no se use por un período de tiempo largo, desconecte el enchufe y deje la puerta entreabierta.

Nota: Espere entre 3 a 5 minutos antes de volver a encender si el funcionamiento se vio interrumpido

## Bandeja Para Cubos de Hielo

La bandeja para cubos de hielo es flexible. Doble la bandeja para sacar los cubos de hielo. Si la bandeja para cubos de hielo está congelada y pegada a la superficie del evaporador, eche un poco de agua sobre la bandeja. Nunca use un cuchillo u otro instrumento metálico para sacar la bandeja de cubos de hielo ya que esto puede causar desperfectos en el evaporador. (Fig. C)

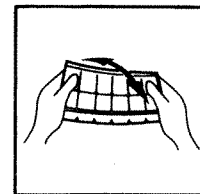


Fig. C

### Limpieza

Para limpiar el interior, use un paño suave con una solución de una cucharada de bicarbonato de sosa por cada cuarto de agua, o una solución de espuma de jabón suave, o un detergente suave. Lave la bandeja de cubos de hielo, la bandeja para goteo y enjuague los estantes con una solución de detergente suave, secándolos y limpiándolos con un paño suave. Limpie el exterior con un paño húmedo suave y un poco de detergente suave o productos de limpieza para electrodomésticos.

### Cómo Descongelar

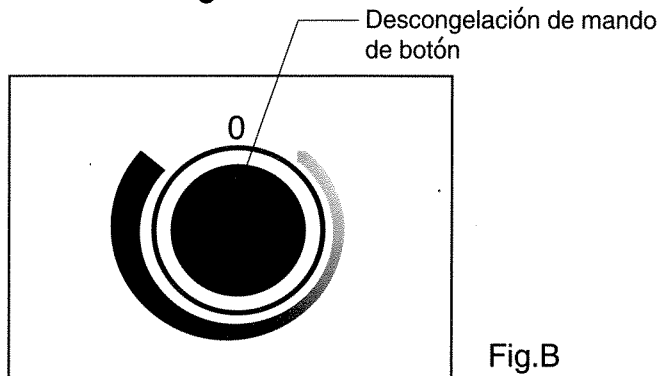


Fig.B

### Descongelación

Este refrigerador funciona con un mando de botón (semiautomático) sistema de descongelación con termostato. Para activar el ciclo de descongelación, empuje el botón de descongelación rojo, que se encuentra al centro de control. ( No gira el tirador de control a zero=apagado ) El ciclo de descongelación comienza inmediatamente. Cuando la descongelación ha completado, se desenganchará automáticamente el mando de botón y resumirá las condiciones normales de operación a la misma temperatura colocada.

Nota: Si Ud. empuja sin querer el mando de botón no será posible de salir manualmente (desactivar el ciclo de descongelación) Es necesario dejar continuar el ciclo de descongelación o:

\*Aplica un paño remojado en agua caliente contra la línea del termostato capilar y el soporte que se encuentran a la parte inferior de la sección del congelador. La temperatura aumentará tan pronto como el calor del paño toca la línea del termostato capilar (línea de sentido) que causará los contactos internos a cerrar. Las condiciones normales se resumirán, Es posible esperar algunos minutos y/o repetir las aplicaciones antes el mando de botón se desenganchará.

Es necesario descongelar el refrigerador cada vez que el hielo al interior del congelador llega a un espesor de 1/4" ( 6mm ). La descongelación puede durar hasta 2 horas, dependiente de la cantidad del hielo acumulado. Para acelerar el tiempo de la descongelación quite toda la comida congelada de la sección de congelador. Dejando la puerta entreabierta por un periodo de tiempo muy corto acelerará el proceso también

**IMPORTANTE:** Jd. Tiene que recordar de cerrar la puerta del refrigerador antes el ciclo de descongelación se termina y las condiciones normales resumen automáticamente. La bandeja de goteo debería estar en lugar directamente por abajo del congelador para atrapar el agua evaporado durante la descongelación.

**AVISO IMPORTANTE:** Nunca use instrumentos afilados o puntiagudos para descongelar/sacar el hielo del compartimiento de evaporación/congelador.

El compartimiento de evaporación/congelador contiene líneas de gas refrigerado y si se perfora/agujerea accidentalmente, hará que el refrigerador no funcione y "anulará" la garantía del fabricante. **NO PERMITA QUE EL REFRIGERADOR CONTINÚE FUNCIONANDO SI EL COMPARTIMIENTO DEL CONGELADOR ESTÁ PERFORADO.**

**NOTA:** Espere entre 3 a 5 minutos antes de volver a encender si el funcionamiento se vio interrumpido.

### Período de Vacaciones

Para períodos cortos de vacaciones, deje los controles en sus graduaciones corrientes. Durante ausencias más largas (a) saque todos los alimentos, (b) desconecte el refrigerador del tomacorriente, (c) limpie el refrigerador bien, incluyendo la bandeja del congelador, (d) deje la puerta abierta para evitar la formación de olores.

### Corte de Corriente

La mayoría de los cortes de corriente se corrigen en una o dos horas y no afectarán las temperaturas de su refrigerador. Sin embargo, Ud. deberá reducir la cantidad de veces que abre la puerta cuando la corriente esté apagada.

Durante los cortes de corriente de larga duración, tome medidas para proteger sus alimentos colocando un bloque de hielo seco sobre los paquetes.

### **Si Ud. Se Muda**

Saque o asegure todos los artículos dentro del refrigerador - congelador. Para evitar que los tornillos de nivel se averíen, gírelos completamente hacia la base.

### **Algunas Reglas Importantes Para el Uso Correcto del Refrigerador**

- Nunca coloque alimentos calientes en el refrigerador.
- Las bebidas se deben guardar en envases cerrados.
- Los alimentos que se guardan por un período largo de tiempo, deben ser envueltos en celofán o polietileno, o se deben mantener en envases de vidrio. Nunca coloque alimentos estropeados en la caja.
- No sobrecargue la caja.
- No abra la puerta a menos que sea necesario.
- Si el refrigerador se guarda sin uso por períodos largos de tiempo, se sugiere que, luego de una limpieza cuidadosa, se deje la puerta entreabierta para permitir que el aire circule dentro de la caja y evitar una posible formación de condensación, moho u olores.

### **Sugerencias para Guardar Alimentos**

#### **El Compartimiento para Alimentos Frescos**

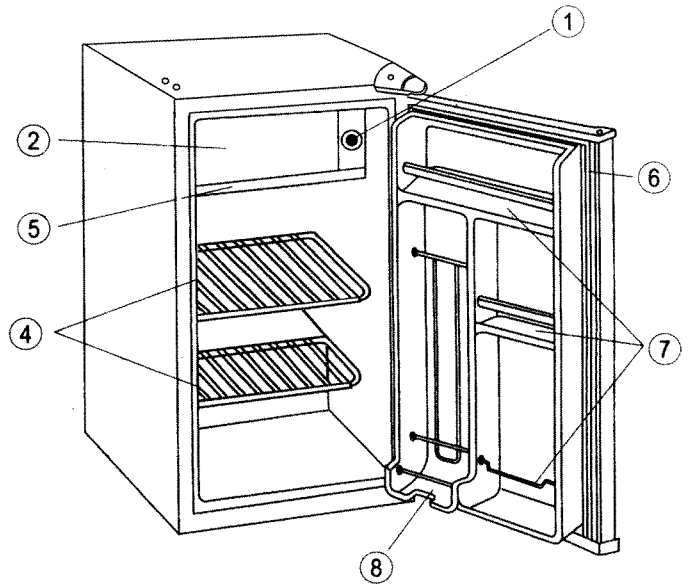
- Nunca cubra los estantes del compartimiento para alimentos con papel de aluminio o cualquier otro material para cubrir estantes que puedan obstruir la circulación del aire.
- Siempre saque la envoltura porosa proveniente de la tienda, de toda la carne, pollo o pescado. La carne se debe envolver en forma individual. Envuelva el pescado y el pollo en papel aluminio o papel encerado grueso. La mayoría de los pescados se deben usar el mismo día en que se compran. Las carnes empaquetadas como el jamón tocino, carne seca o salchichas, se almacenan mejor en sus paquetes originales.
- Permita que los alimentos calientes se enfríen a temperatura ambiente antes de colocarlos en el refrigerador.
- Siempre cubra los platos con alimentos, especialmente los restos. Use los restos en 2 o 3 días.

## Características Técnicas y Estructurales Del Funcionamiento

Unidad de enfriamiento sellada herméticamente con un motor miniatura de 2 polos. Congelador de aluminio anodizado "Roll-Bond" (chapado a laminación) a prueba de corrosión (o congelador de aluminio "Pipe On Sheet") de alta conductividad térmica.

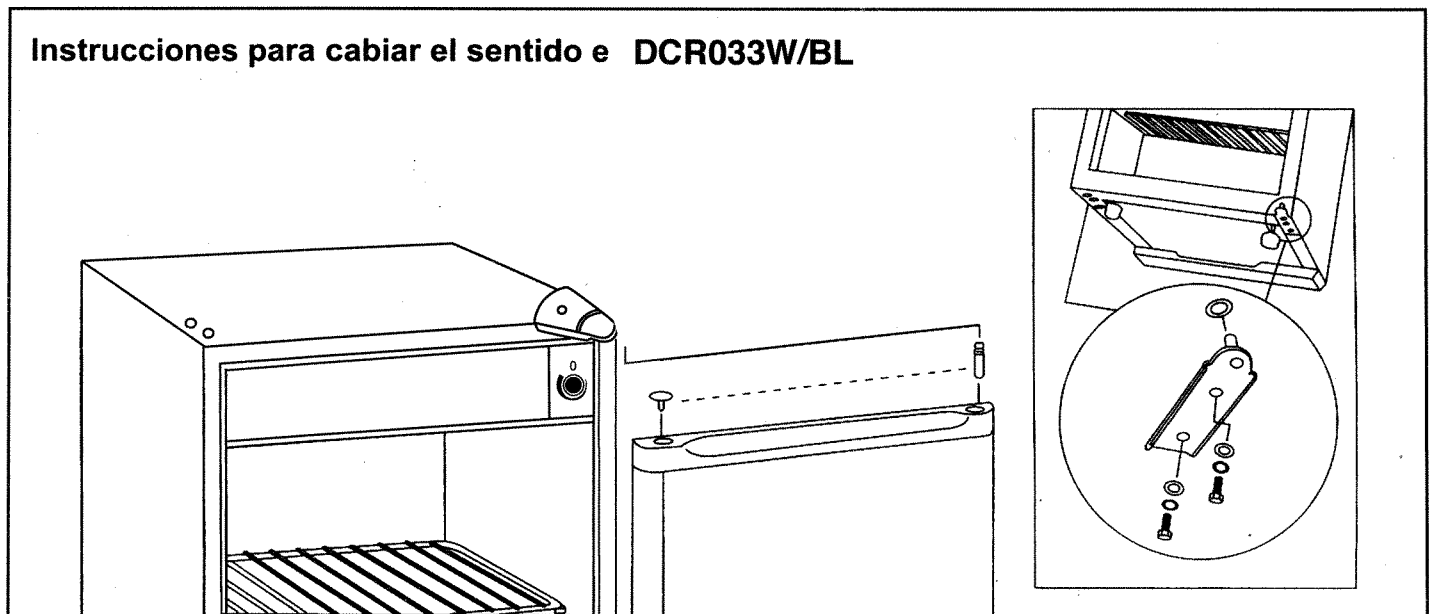
1. DISCO DEL TERMOSTATO: Para controlar la temperatura dentro del refrigerador. Enciende el motor tan pronto como la temperatura sube por encima del nivel deseado.
2. COMPARTIMENTO DE CONGELACIÓN CON PUERTA DE CONGELADOR: Sección separada de congelador con espacio para bandeja para cubitos de hielo y artículos pequeños.
3. BANDEJA PARA CUBOS DE HIELO: Los cubos de hielo se sacan de la bandeja con facilidad. (no aparece en el dibujo)
4. ESTANTES REVESTIDOS DE PLÁSTICO: Resistentes a los olores, inoxidable y desmontables para una limpieza fácil.
5. BANDEJA PARA GOTEO: Atrapa el agua que gotea del evaporador cuando se está descongelando.
6. JUNTA MAGNÉTICA: Un cierre ajustado de la puerta que mantiene toda la potencia de enfriamiento encerrada en el refrigerador. Sin ganchos ni pestillos.
7. ESTANTE PARA BOTELLAS: Para botellas, latas o frascos altos, medianos y grandes.
8. FORRO DE PUERTA CANSTOR: Sostiene latas de bebidas gaseosas, de jugo o de cerveza de 355mL.

Termostato graduable para el control automático de temperatura. Una caja bonderizada y esmaltada en acrílico de acuerdo a las técnicas más modernas de atomización electrostática. Aislamiento térmico de poliuretano de alta densidad. Junta de cierre magnético para la puerta.



**DCR033W**  
**DCR033BL**

### Instrucciones para cabiar el sentido e DCR033W/BL

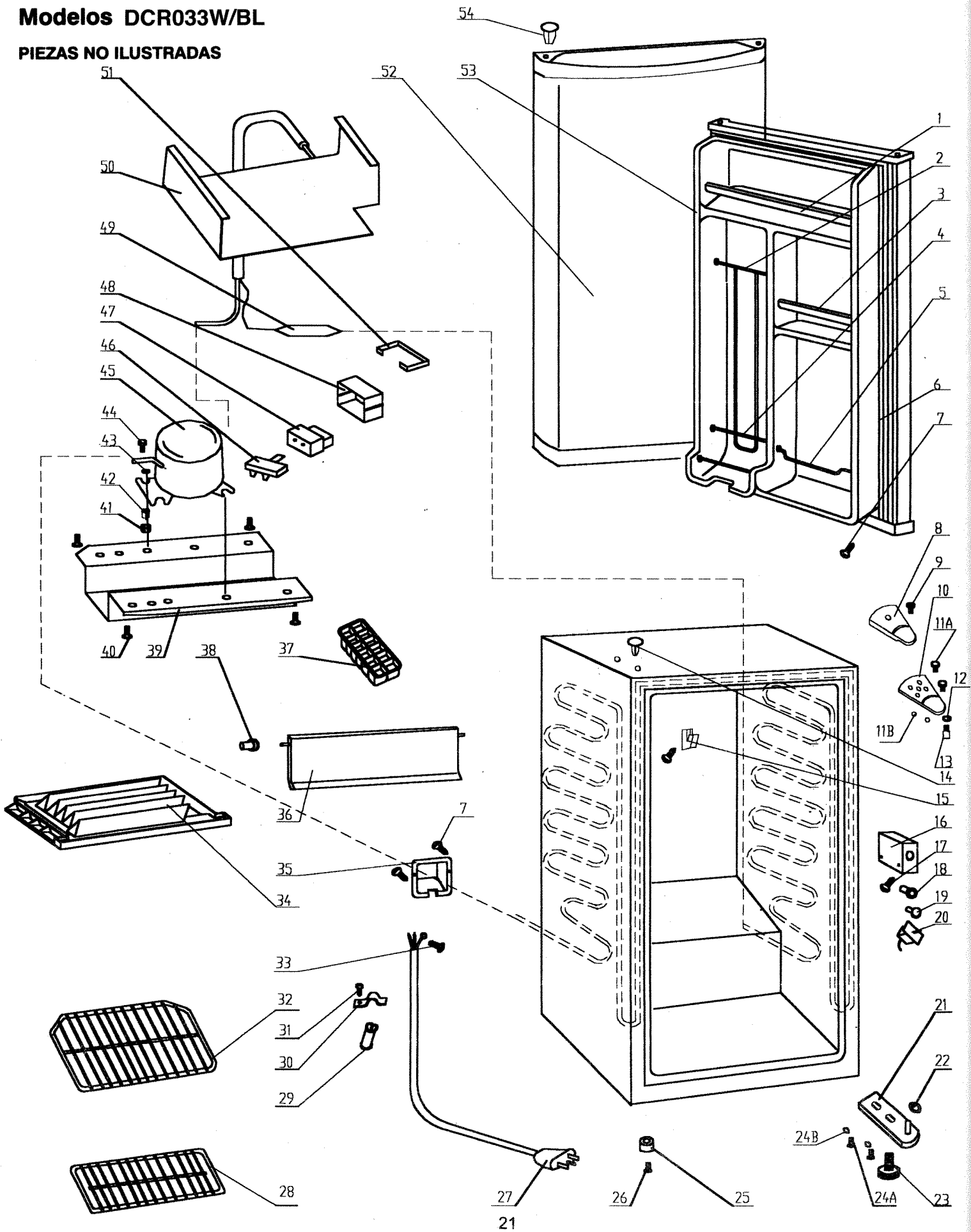


## LISTA DE PARTES

ILus. NO.	Descripción	DCR033W Part NO.	DCR033BL Part NO.
1	Barre del estante superior de la puerta	34.2	34.2
2	Soporte pare latas (vertedor)	432.2A	432.2A
3	Barre del estante madio de la puerta	34.3	34.3
4	Soporte pare latas (vertedor)	432.2B	432.2B
5	Barre del estante inferior de la puerta(2litros)	34.4	34.4
6	Junta para la puerta	34.5 (LG)	34.5 (LG)
7	Tornillo autow os cante	432.6	432.6
8	Tapa de la bisagra de la puerta	054.7 (W)	054.7 (BL)
9	Bisagra de la peurta	54.8	54.8
10	Bisagra Superior	54.9	54.9 (BL)
11A	Tornillo de bisagra de puerta superior e inferior	054.10A	054.10A
11B	Arandela trabante	054.10B	054.10B
12	Arandela	054.10C	054.10C
13	Pasador de bisagra	432.11	432.11
14	Tapón de bisagra	033.14	033.14
15		033.15 (W)	033.15 (BL)
16	Caja del termostato	34.8	34.8
17	Tornillo de bisagra de puerta superior e inferior	432.6	432.6
18	Perilla de Termostato	432.13	432.13
19	Descongelación da mando de botón	432.14	432.14
20	Termostato	432.15	432.15
21	Bisagra inferior	34.9 (W)	34.9 (BL)
22	Arandela	432.18	432.18
23	Pie graduble	432.19	432.19
24A	Tornillo de refuerzo de la placa superior	432.20A	432.20A
24B	Arandela	432.20C	432.20C
25	Pie	432.21	432.21
26	Tornillo de pie fijo	432.22	432.22
27	Cordón de corriente	432.23	432.23
28	Anaqueles dividios	34.10A	34.10A
29	Brida del cordón eléctrico	432.26	432.26
30	Grampa de cable de carga	432.27	432.27
31	Tornillo autorroscante	432.28	432.28
32	Estante de tamaño grande	34.10B	34.10B
33	Tornillo para metales	432.31	432.31
34	Bandeja colectora de gotas	34.11	34.11
35	Caja de empalmes	432.32	432.32
36	Puerta del evaporador	34.12	34.12
37	Bandeja para cubos de hielo	432.35	432.35
38	Arandela aislante de la puerta del evaporador(2)	432.36	432.36
39	Base del compresor	054.33 (W)	054.33 (BL)
40	Perno de la base del compresor	432.38	432.38
41	Arandela aislante de caucho	432.39	432.39
42	Arandela aislante de caucho	432.40	432.40
43	Arandela del perno del compresor	432.41	432.41
44	Perno del compresor	432.42	432.42
45	Compresor	432.43	432.43
46	Protector de sobrecarga	432.44	432.44
47	Resistencia PTC	432.45	432.45
48	Tapa del relé	432.26	432.26
49	Secador	432.47	432.47
50	Unidad del evaporador	34.13	34.13
51	Retén de la tapa del relé	432.49	432.49
52	Puerta	34.14 (W)	34.14 (BL)
53	Forro para la pureta(Can StorTM)	34.15	34.15
54	Tapón de bisagra(puerta)	432.54(W)	432.54(BL)

# PIEZAS de REPUESTO Modelos DCR033W/BL

## PIEZAS NO ILUSTRADAS





# DIPLOMAT®

**Model • Modèle • Modelo**

**DCR033W  
DCR033BL**

For service, contact  
your nearest service depot or call:  
**1-800-26-Danby**  
to recommend a depot in  
your area.

Pour obtenir le service, consultez  
votre succursale régionale de  
service ou téléphonez:  
**1-800-26-Danby**  
qui vous recommandera un  
centre régional.

Para servicio, comuníquese con su  
Departamento de Servicios más  
cercano o llame al:  
**1-800-26-Danby**  
para que le recomienden un  
Departamento de Servicios  
en su zona.

## COMPACT REFRIGERATORS

The model number of your compact refrigerator is found on the serial plate located on the back, top left-hand corner of the refrigerator.

All repair parts available for purchase or special order when you visit your nearest service depot. To request service and/or the location of the service depot nearest you, call the toll free number listed to the left in Canada and the U.S.

When requesting service or ordering parts, always provide the following information:

- Product Type
- Model Number
- Part Number
- Part Description

## RÉFRIGÉRATEUR COMPACT

Le numéro de modèle de votre réfrigérateur compact se trouve sur la plaque d'identification qui se trouve sur le coin du haut gauche de l'arrière du réfrigérateur.

Toutes les pièces de rechange sont disponibles immédiatement ou peuvent être commandées de votre Centre de Service régional. Pour obtenir le service et/ou le Centre de Service le plus proche, téléphonez le numéro sans-frais indiqué à gauche pour le Canada et les États-Unis.

Ayez les informations suivantes à la portée de la main lors de la commande de pièces ou service:

- Genre de produit
- Numéro de modèle
- Numéro de pièce
- Description de la pièce

## REFRIGERADOR COMPACTO

El número del modelo de su refrigerador compacto se encuentra en la placa de serie ubicada en el ángulo posterior superior izquierdo del refrigerador.

Todas las piezas de repuesto se encuentran disponibles la para compra o por pedido especial cuando Ud. visite su departamento de servicio más cercano. Para solicitar servicio y/o la ubicación del departamento de servicio más cercano, llame al número de marcando gratis que aparece a la izquierda en el Canadá y en los E.U.

Cuando solicite servicio o encargue repuestos, siempre proporcione la siguiente información:

- Tipo de producto
- Número de modelo
- Número del repuesto
- Descripción del repuesto

Danby Products Limited, PO Box 1778, Ontario, Canada N1H 6Z9  
Danby Products Inc., PO Box 669, Findlay, Ohio, USA 45839-0669



## Free Manuals Download Website

<http://myh66.com>

<http://usermanuals.us>

<http://www.somanuals.com>

<http://www.4manuals.cc>

<http://www.manual-lib.com>

<http://www.404manual.com>

<http://www.luxmanual.com>

<http://aubethermostatmanual.com>

Golf course search by state

<http://golfingnear.com>

Email search by domain

<http://emailbydomain.com>

Auto manuals search

<http://auto.somanuals.com>

TV manuals search

<http://tv.somanuals.com>