

# Danby<sup>®</sup> *Designer*

- **COMPACT REFRIGERATOR**
- **RÉFRIGÉRATEUR COMPACT**
- **REFRIGERADOR COMPACTO**

**Owner's Use and Care Guide**  
**Guide d'utilisation et d'entretien de propriétaire**  
**Guía de utilización y cuidado para el propietario**

**Model • Modèle • Modelo**  
**DCR044A2BDD / DCR044A2BSLDD / DCR044A2WDD**



# CONTENTS

## TABLE DES MATIÈRES

### ÍNDICE

#### COMPACT REFRIGERATOR

##### Owner's Use and Care Guide ..... 2-7

- Safety Instructions
- Installation Instructions
- Features
- Operating Instructions
- Care and Maintenance
- Troubleshooting
- Warranty

#### RÉFRIGÉRATEUR COMPACT

##### Guide d'utilisation et soin de propriétaire ..... 8-13

- Consignes de sécurité
- Consignes de Installation
- Caractéristiques
- Opération
- Soins et entretien
- Dépannage
- Garantie

#### REFRIGERADOR COMPACTO

##### Guía para utilizar y cuidar del propietario ..... 14-19

- Instrucciones de seguridad importantes
- Instrucciones de instalación
- Características
- Operación
- Cuidado y Mantenimiento
- Diagnosticos de Problemas
- Garantia



#### **CAUTION:**

Read and follow all safety rules and operating instructions before first use of this product.



#### **PRÉCAUTION:**

Veuillez lire attentivement les consignes de sécurité et les instructions d'utilisation avant l'utilisation initiale de ce produit.



#### **PRECAUCIÓN:**

Lea y observe todas las reglas de seguridad y las instrucciones de operación antes de usar este producto por primera vez.

# IMPORTANT SAFETY INFORMATION

READ ALL SAFETY INFORMATION BEFORE USING

## ELECTRICAL REQUIREMENTS

This appliance must be grounded. In the event of an electrical short circuit, grounding reduces the risk of electrical shock by providing an escape wire for the electrical current.

This appliance is equipped with a cord having a grounding wire with a grounding plug. The plug must be plugged into an outlet that is properly installed and grounded.

**WARNING** - Improper use of the grounding plug can result in a risk of electric shock. Consult a qualified electrician or serviceman if the grounding instructions are not completely understood, or if doubt exists as to whether the appliance is properly grounded.

### DO NOT USE AN EXTENSION CORD

Use an exclusive wall outlet. Do not connect your refrigerator to extension cords or together with any other appliance in the same wall outlet. Do not splice the cord.

### IMPORTANT WARNING!

An empty refrigerator is a very dangerous attraction to children. Remove the gasket, latches, lids or doors from unused appliances, or take some other action that will guarantee the appliance harmless.

**DANGER:** Risk of child entrapment. Before you throw away your old refrigerator:

- Take off the doors.
- Leave the shelves in place so that children may not easily climb in.

**DON'T WAIT! DO IT NOW!**

### WARNING! EXPLOSION HAZARD!

Risk of fire or explosion due to puncturing of refrigerant tubing. Do not use sharp objects to aid in defrost. Please handle with care. Keep flammable materials and vapors such as gasoline away from the refrigerator. Use nonflammable cleaner.

Disposal of this unit should be in accordance with federal and local regulations.

**SAVE THESE INSTRUCTIONS!**

## INSTALLATION INSTRUCTIONS

### LOCATION

Remove exterior and interior packaging, wipe the outside thoroughly with a soft dry cloth and the inside with a wet, lukewarm cloth. Avoid placing the unit in a narrow recess or near any heat source, direct sunlight, or moisture. Let air circulate freely around the unit. Keep the rear of the refrigerator 5 inches away from the wall.

- 1) Select a place with a level floor.
- 2) Allow 5 inches of space between the back of the refrigerator and any adjacent wall.
- 3) Avoid direct sunlight and heat. Direct sunlight may affect the acrylic coating. Heat sources nearby will cause higher electricity consumption.
- 4) Avoid damp places. Too much moisture in the air will cause frost to form very quickly on the evaporator, and your refrigerator will have to be defrosted more frequently.

# INSTALLATION INSTRUCTIONS

## DOOR REVERSAL INSTRUCTIONS

### CAUTION

To avoid personal injury to yourself and/or property, we recommend someone assist you during the door reversal process.

If you find the direction of opening the door on your appliance inconvenient, you can change it by following the steps shown in the below diagrams.

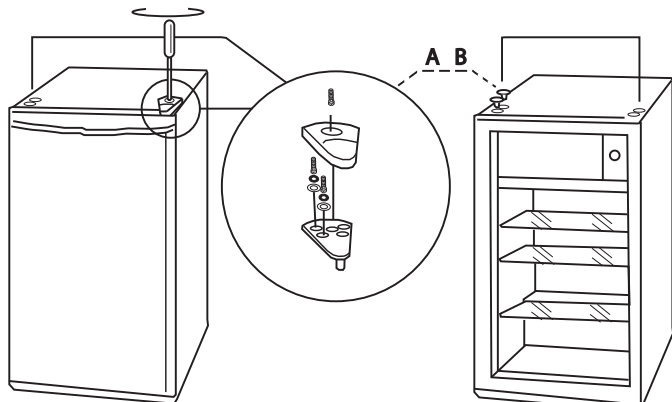


Fig. 1

Fig. 2

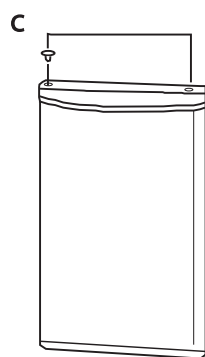


Fig. 3

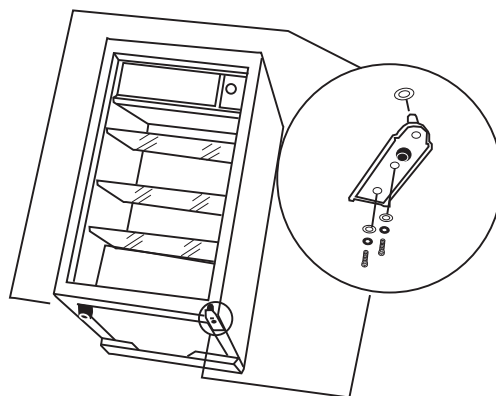
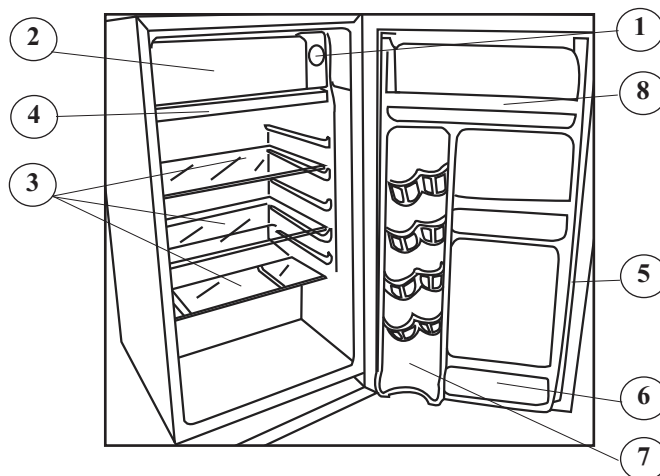


Fig. 4

## FEATURES

- 1. THERMOSTAT DIAL/PUSH BUTTON DEFROST:** For controlling the temperature inside the refrigerator. Turns the motor on as soon as the temperature rises above the desired level.
- 2. FREEZER COMPARTMENT WITH FREEZER DOOR**
- 3. GLASS SHELVES**
- 4. DRIP TRAY**
- 5. MAGNETIC GASKET:** Tight fitting door seal keeps all the cooling power locked inside. No hooks or latches.
- 6. BOTTLE RACK:** For tall, medium, and large bottles.
- 7. CANSTOR™ DOOR LINER:** Holds 355 mL cans of pop, juice, or beer.
- 8. EGG TRAY**



# OPERATING INSTRUCTIONS

To avoid vibration, the unit must be set level. This is accomplished by adjusting the (1) front leveling leg located under the refrigerator. The temperature of the refrigerator is controlled by setting the thermostat knob to a desired setting.

## TEMPERATURE SELECTION

To start the refrigerator, turn the temperature control knob to the position corresponding to the desired cooling (on the graduated blue dial) in Fig. A. The refrigerator temperature will vary depending on the quantity of the food stored, and on the frequency with which the door is opened.

The refrigerator temperature will vary depending on the quantity of the food stored and on the frequency with which the door is opened. To turn the control to the "OFF" position, rotate the control knob to the "0" setting. After defrosting and if the refrigerator has been left out of use for some time, set the control to maximum for 2 to 3 hours before turning to the desired position. If the refrigerator is not to be used for long time periods, disconnect the plug and leave the door partially open. This will help reduce the mold/mildew from accumulating inside the refrigerator cabinet.

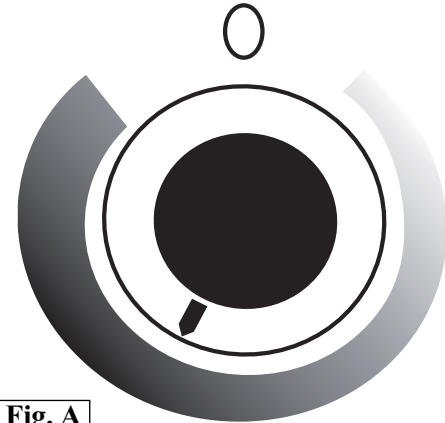


Fig. A

## CARE AND MAINTENANCE

### DEFROSTING

This refrigerator is equipped with a "Push Button" (semi-automatic) defrost thermostat system. To activate the defrost cycle, simply push (in) the red defrost button located in the center of the control knob/dial (do not turn the control knob/dial to zero/off). The defrost cycle is initiated immediately. When defrosting is complete, the "Push Button" will release (pop-out) automatically and resume normal operating conditions at the same temperature setting.

**NOTE:** If the "Push Button" is activated (pushed-in) accidentally, it will not be possible to "manually" pull-out the push button (deactivate the defrost cycle). You must let the defrost cycle run its course.

Defrosting of your refrigerator should take place whenever ice build-up inside the freezer compartment reaches 1/4" (6mm) thick. Defrosting may take a few hours, depending on the amount of accumulated ice and ambient indoor temperature. To speed up the defrosting process, remove all frozen foods from the freezer section. Leaving the door partially ajar for a short period of time will also speed up the process.

**Important:** You must remember to close the refrigerator door before the defrost cycle terminates and normal operating conditions resume automatically. The drip tray should be in position directly below the freezer compartment to catch condensed water during defrosting.

**Note:** Never use sharp or pointed instruments to remove ice from the freezer compartment. The freezer compartment contains refrigerated gas lines and if accidentally punched/pierced, will render the refrigerator inoperable and void the manufacturers warranty.

**DO NOT ALLOW THE REFRIGERATOR TO CONTINUE OPERATION IF THE FREEZER COMPARTMENT IS PIERCED.**

After defrosting is complete, set the control to maximum for 2 to 3 hours before returning to the desired position. When the refrigerator is not to be used for a long period of time, disconnect the appliance from the electrical supply and leave the door partially open. This will help to reduce mold and mildew build-up.

**Note:** Wait 3 to 5 minutes before attempting to restart the refrigerator if operation has been interrupted.

# CARE AND MAINTENANCE

## CLEANING

To clean the inside, use a soft cloth and a mixture of one tablespoon of baking soda to one quart of water. Other cleaning options are a mild soap suds solution, or mild detergent. Wash glass shelves in a mild detergent solution, then dry and wipe with a soft cloth. Clean the outside with a soft damp cloth and some mild detergent or appliance cleaner.

## POWER FAILURE

Most power failures are corrected within an hour or two and will not affect your refrigerator temperatures. However, you should minimize the number of door openings while the power is off. During power failures of longer duration, take steps to protect your food.

## IF YOU MOVE

Remove or securely fasten down all loose items inside the unit. To avoid damaging the leveling legs, turn them all the way into the base.

## FOOD STORAGE SUGGESTIONS

### Fresh Food Compartment

- Never cover food compartment shelves with aluminum foil or any other shelf covering material which may prevent air circulation.
- Always remove porous store wrapping paper from meats, poultry and fish. Meats should be wrapped individually and placed in a dish for storage. Wrap fish and poultry in foil or heavy waxed paper. Most fish should be used the same day of purchase. Packaged meats such as ham, bacon, dried beef, or frankfurter, store best in their original packages.
- Allow warm foods to cool to room temperature before placing them in the refrigerator.
- Always cover open dishes of food, especially leftovers. Use leftovers within 2 or 3 days.

## VACATION TIME

For short vacation periods, leave the control knob at its normal setting. During longer absences:

- (a) remove all foods.
- (b) disconnect power cord from electrical outlet.
- (c) clean the refrigerator thoroughly, including drip tray (defrost pan), located on the bottom of the unit.
- (d) leave door open to avoid possible formations of condensate, mold or odors.

### Some Important Rules for the Correct Use of the Refrigerator

- Never place hot foods in the refrigerator.
- Never place spoiled foods in the unit.
- Don't overload the unit.
- Don't open the door unless necessary.
- Should the refrigerator be stored without use for long periods, it is suggested, after a careful cleaning, to leave the door ajar to allow the air to circulate inside the unit in order to avoid the possibility of condensation, mold or odors.

# TROUBLESHOOTING

Occasionally, a problem is minor and a service call may not be necessary - use this troubleshooting guide for a possible solution. If the unit continues to operate improperly, call an authorized service depot or **Danby's Toll Free Number 1-800-263-2629** for assistance.

| PROBLEM   | POSSIBLE CAUSE   | POSSIBLE SOLUTION   |
|---|--|---|
| <b>1) Does not work.</b>                        | <ul style="list-style-type: none"> <li>• No power to unit.</li> <li>• Power cord is unplugged.</li> <li>• Wrong voltage is being used.</li> </ul>  | <ul style="list-style-type: none"> <li>• Check connection of power cord to power source.</li> <li>• Plug in unit.</li> <li>• Use proper voltage.</li> </ul>   |
| <b>2) Freezer runs continuously.</b>            | <ul style="list-style-type: none"> <li>• Temperature set too low.</li> <li>• Lid is not closed.</li> <li>• Hot food inserted.</li> <li>• Lid opened too long or too often.</li> <li>• Close proximity to heat source or direct sunlight.</li> </ul>  | <ul style="list-style-type: none"> <li>• Lower temperature control.</li> <li>• Close lid securely.</li> <li>• Be sure food is at room temperature before inserting.</li> <li>• Minimize lid openings/ duration.</li> <li>• Do not place unit close to heat sources or direct sunlight.</li> </ul>   |
| <b>3) Internal temperature not cold enough.</b> | <ul style="list-style-type: none"> <li>• No power to unit.</li> <li>• Power cord is unplugged.</li> <li>• Temperature set too high.</li> <li>• Lid is not closed.</li> <li>• Hot food inserted.</li> <li>• Lid opened too long or too often.</li> <li>• Air flow obstruction.</li> <li>• Wrong voltage is being used.</li> <li>• Close proximity to heat source or direct sunlight.</li> </ul> | <ul style="list-style-type: none"> <li>• Check connection of power cord to power source.</li> <li>• Plug in unit.</li> <li>• Check setting and increase as needed.</li> <li>• Close lid securely.</li> <li>• Be sure that food is at room temperature.</li> <li>• Minimize lid openings/ duration.</li> <li>• Allow room for air to circulate around unit.</li> <li>• Use proper voltage.</li> <li>• Do not place unit close to heat sources or direct sunlight.</li> </ul> |

## LIMITED IN-HOME APPLIANCE WARRANTY

This quality product is warranted to be free from manufacturer's defects in material and workmanship, provided that the unit is used under the normal operating conditions intended by the manufacturer.

This warranty is available only to the person to whom the unit was originally sold by Danby Products Limited (Canada) or Danby Products Inc. (U.S.A.) (hereafter "Danby") or by an authorized distributor of Danby, and is non-transferable.

### TERMS OF WARRANTY

Plastic parts, are warranted for thirty (30) days only from purchase date, with no extensions provided.

*First 18 months* During the first eighteen (18) months, any functional parts of this product found to be defective, will be repaired or replaced, at warrantor's option, at no charge to the ORIGINAL purchaser.

*To obtain service* Danby reserves the right to limit the boundaries of "In Home Service" to the proximity of an Authorized Service Depot. Any appliance requiring service outside the limited boundaries of "In Home Service", it will be the consumer's responsibility to transport the appliance (at their own expense) to the original retailer (point of purchase) or a service depot for repair. See "Boundaries of In Home Service" below. Contact your dealer from whom your unit was purchased, or contact your nearest authorized Danby service depot, where service must be performed by a qualified service technician. If service is performed on the unit by anyone other than an authorized service depot, or the unit is used for commercial application, all obligations of Danby under this warranty shall be void.

*Boundaries of In Home Service* If the appliance is installed in a location that is 100 kilometers (62 miles) or more from the nearest service center your unit must be delivered to the nearest authorized Danby Service Depot, as service must only be performed by a technician qualified and certified for warranty service by Danby. Transportation charges to and from the service location are not protected by this warranty and are the responsibility of the purchaser.

Nothing within this warranty shall imply that Danby will be responsible or liable for any spoilage or damage to food or other contents of this appliance, whether due to any defect of the appliance, or its use, whether proper or improper.

### EXCLUSIONS

Save as herein provided, by Danby, there are no other warranties, conditions, representations or guarantees, express or implied, made or intended by Danby or its authorized distributors and all other warranties, conditions, representations or guarantees, including any warranties, conditions, representations or guarantees under any Sale of Goods Act or like legislation or statute is hereby expressly excluded. Save as herein provided, Danby shall not be responsible for any damages to persons or property, including the unit itself, howsoever caused or any consequential damages arising from the malfunction of the unit and by the purchase of the unit, the purchaser does hereby agree to indemnify and hold harmless Danby from any claim for damages to persons or property caused by the unit.

### GENERAL PROVISIONS

No warranty or insurance herein contained or set out shall apply when damage or repair is caused by any of the following:

- 1) Power failure.
- 2) Damage in transit or when moving the appliance.
- 3) Improper power supply such as low voltage, defective house wiring or inadequate fuses.
- 4) Accident, alteration, abuse or misuse of the appliance such as inadequate air circulation in the room or abnormal operating conditions (extremely high or low room temperature).
- 5) Use for commercial or industrial purposes (ie. If the appliance is not installed in a domestic residence).
- 6) Fire, water damage, theft, war, riot, hostility, acts of God such as hurricanes, floods etc.
- 7) Service calls resulting in customer education.
- 8) Improper Installation (ie. Building-in of a free standing appliance or using an appliance outdoors that is not approved for outdoor application).

Proof of purchase date will be required for warranty claims; so, please retain bills of sale. In the event warranty service is required, present this document to our AUTHORIZED SERVICE DEPOT.

**Warranty Service**  
In-home

Danby Products Limited  
PO Box 1778, Guelph, Ontario, Canada N1H 6Z9  
Telephone: (519) 837-0920 FAX: (519) 837-0449

**1-800-263-2629**  
07/13

Danby Products Inc.  
PO Box 669, Findlay, Ohio, U.S.A. 45840  
Telephone: (419) 425-8627 FAX: (419) 425-8629



# CONSIGNES DE SÉCURITÉ IMPORTANTES

LISEZ TOUTES LES INFORMATIONS DE SÉCURITÉ AVANT DE FAIRE FONCTIONNER L'APPAREIL

## CONDITIONS ÉLECTRIQUES

Cet appareil doit être mis à la terre. En cas de court-circuit, la mise à la terre réduit les risques de décharge électrique en fournissant un échappatoire au courant électrique.

L'appareil est muni d'un cordon électrique comprenant un fil de mise à la terre et une fiche de terre. Branchez la fiche dans une prise de courant correctement installée et mise à la terre.

**AVERTISSEMENT** - Une fiche de mise à la terre mal branchée peut entraîner un risque d'incendie, de choc électrique ou de blessures aux personnes qui utilisent l'appareil. Si vous n'êtes pas certain que l'appareil est correctement mis à la terre, consultez un préposé du service qualifié.

**N'UTILISER JAMAIS DE FIL DE RALLONGE** - Brancher le réfrigérateur à son propre circuit. N'utilisez pas de rallonge électrique pour brancher votre réfrigérateur. Ne branchez pas le réfrigérateur à une prise femelle multiple qui sera également utilisée pour d'autres appareils électriques. N'épissez pas le cordon électrique.

### **AVERTISSEMENT IMPORTANT!**

Un réfrigérateur vide peut représenter un attrait dangereux aux enfants. Retirer le joint d'étanchéité, les loquets, les couvercles ou portes des appareils ménagers inutilisés, ou prenez d'autres mesures qui assureront que l'appareil ne posera aucun danger.

**DANGER:** Risque de piéger un enfant. Avant de mettre votre vieux congélateur ou réfrigérateur au rebut:

- Enlever les portes.
- Laisser les tablettes en place afin que les enfants ne puissent pas facilement y entrer.

**N'ATTENDEZ PAS! FAITES-LE IMMÉDIATEMENT!**

### **AVERTISSEMENT! DANGER D'EXPLOSION!**

Risque d'incendie ou d'explosion causé par la perforation de tuyaux frigorigènes. Ne jamais utiliser un objet pointu pour assister au dégel. Manipuler avec soin. Garder les matériaux et vapeurs inflammables comme de l'essence loin du réfrigérateur. Utiliser un nettoyeur ininflammable.

La mise au rebut de cet item doit être faite selon les lois locales et fédérales.

## CONSERVEZ CES INSTRUCTIONS!

## CONSIGNES D'INSTALLATION

### EMPLACEMENT

Enlevez les emballages extérieurs et intérieurs. Essayez complètement l'extérieur avec un linge doux sec et l'intérieur avec un linge humide tiède. Il ne faut jamais situer l'appareil dans un recoin étroit, proche d'une source d'air chaud. L'air doit circuler à l'entour de l'appareil. Éloigner le réfrigérateur au moins 5 pouces du mur.

- 1) Choisir une place qui a un plancher à niveau.
- 2) Éloigner l'appareil de 5 pouces des murs arrière et de côté.
- 3) Éviter les rayons de soleil et les sources de la chaleur directs qui peuvent affecter la surface en acrylique. Les sources de chaleur rapprochées augmentent la consommation d'énergie.
- 4) Éviter les endroits très humides. L'humidité élevée dans l'air occasionne la formation rapide de gèle sur l'évaporateur et le réfrigérateur. Le réfrigérateur devra être dégivré fréquemment.

# CONSIGNES D'INSTALLATION

## INSTRUCTIONS DE PORTE RÉVERSIBLE

### ⚠ ATTENTION:

Afin d'éviter de vous blesser ou de causer des dégâts matériels, nous vous recommandons de solliciter l'aide d'autrui lors des manœuvres liées à l'inversion de la porte.

Si vous trouvez que la direction de l'ouverture de la porte de votre réfrigérateur est peu pratique, elle peut être changée. Suivez les étapes décrites dans les schémas ci-dessous.

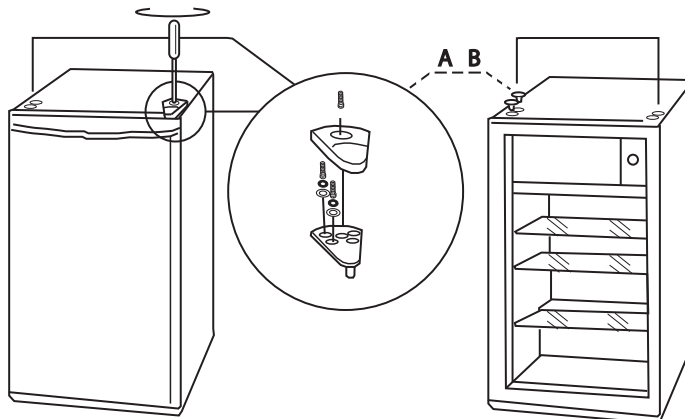


Fig. 1

Fig. 2

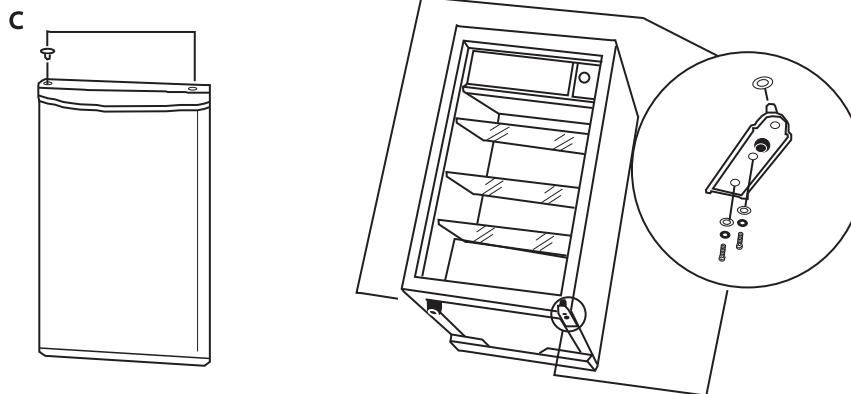
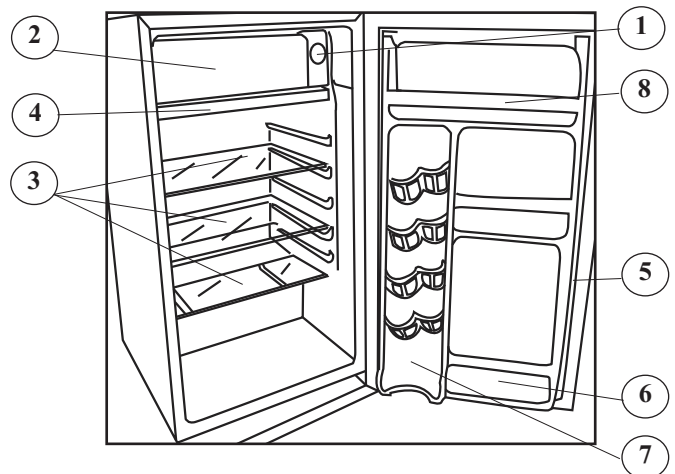


Fig. 3

Fig. 4

## CARACTÉRISTIQUES

1. **CADRAN DU THERMOSTAT/TOUCHE DE DÉGIVRAGE:** Règle la température intérieure du réfrigérateur. Met le moteur en marche dès que la température dépasse le niveau désiré.
2. **COMPARTIMENT DE CONGÉLATEUR AVEC PORTE**
3. **ÉTAGÈRES EN VERRE**
4. **BAC D'ÉCOULEMENT:** Pour récupérer l'eau qui coule de l'évaporateur pendant le dégivrage.
5. **JOINT ÉTANCHE MAGNÉTIQUE:** Le joint étanche empêche l'air frais de s'échapper. Pas de crochets ou de loquets.
6. **PORTE-BOUTEILLES:** Pour les bouteilles, boîtes métalliques et bocaux.
7. **PAROI DE PORTE CANSTOR™:** Range les boîtes de boisson gazeuse, jus ou bière de 355 mL.
8. **CASIER POUR DES OEUFS**



# OPÉRATION

Pour éviter la vibration, l'appareil doit être absolument horizontal. Le pied de nivellement au-dessous du réfrigérateur peut être ajusté. La température à l'intérieur du réfrigérateur est contrôlée en réglant le cadran du thermostat à la température désirée.

## CHOIX DE LA TEMPÉRATURE:

Pour mettre le réfrigérateur en marche, tournez le cadran du thermostat à la position qui correspond à la température désirée sur le cadran bleu à échelle (Fig. A). La température du réfrigérateur varie selon la quantité d'aliments rangés dans l'appareil et le nombre de fois que la porte est ouverte.

La température du réfrigérateur fluctuera en fonction de la quantité de nourriture entreposée et de la fréquence de l'ouverture de la porte. Pour tourner le bouton de commande à la position "OFF", tournez-le jusqu'à la configuration de "0". Après le dégivrage et lorsque le réfrigérateur a été hors service pour quelque temps, réglez le cadran au maximum pour 2 à 3 heures avant de le régler à la température désirée. Si le réfrigérateur reste inutilisé pour de longues périodes de temps, débranchez la fiche et laissez la porte entrouverte. Ceci aidera à éviter l'accumulation de moisissures dans la cavité du réfrigérateur.

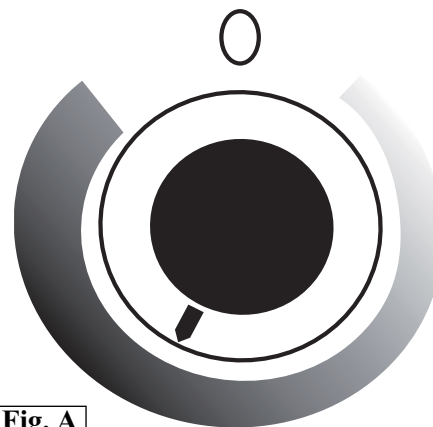


Fig. A

## SOINS ET ENTRETIEN

### DÉGIVRAGE

Ce réfrigérateur fonctionne avec un pousse-bouton (semiautomatique) système de dégivrage avec thermostat. Pour activer le cycle de dégivrage, poussez le bouton de dégivrage rouge qui se trouve au centre de contrôle (ne tournez pas le bouton de contrôle à zéro/éteinte). Le cycle de dégivrage commence immédiatement. Quand la décongélation est complète le pousse-bouton se dégagera automatiquement et résume les conditions normales d'opération au même réglage de température.

**Remarque:** Si par hasard vous activez le pousse-bouton, il ne sera pas possible de le sortir à la main (de désactiver le cycle de dégivrage). Il est nécessaire de laisser continuer le cycle de dégivrage.

Il est nécessaire de dégivrer le congélateur chaque fois que l'accumulation de glace arrive à une épaisseur de 1/4 po (6mm). Cela pourrait prendre quelques heures pour dégivrer le congélateur, dépendant de la quantité de glace accumulée et la température ambiante de la pièce. Pour accélérer le processus de décongélation, enlevez tous les produits surgelés du congélateur. En laissant la porte entrouverte pendant un peu de temps vous pouvez accélérer le processus.

**Important:** N'oubliez pas de fermer la porte du réfrigérateur avant que la décongélation se termine et les conditions normales d'opération résumant automatiquement. Le plateau d'égouttement devrait être en place directement sous le compartiment du congélateur pour attraper l'eau évaporé durant la décongélation.

**Avis important:** N'utiliser jamais des ustensiles tranchants ou aiguisés pour dégivrer/enlever la glace du compartiment de congélation/évaporation. Le compartiment de congélation/évaporation contient des tuyaux de gaz réfrigérés et s'ils sont crévés ou percés, le réfrigérateur sera inopérable et la garantie de fabricant sera rendu nul.

### SI LE COMPARTIMENT DE CONGÉLATION EST PERCÉ, ÉTEINDRE LE RÉFRIGÉRATEUR.

Après que le dégivrage est fini, tourner la commande de température au refroidissement maximum pendant 2 à 3 heures avant de la tourner au refroidissement désiré. Si on n'utilise pas le réfrigérateur pendant longtemps, débrancher l'appareil et laisser la porte partiellement ouverte pour réduire l'accumulation de moisissure.

**Remarque:** Si le fonctionnement a été interrompu, attendre 3 à 5 minutes avant de mettre le réfrigérateur en marche.

## ENTRETIEN

Pour nettoyer l'intérieur, utilisez un chiffon doux et une solution composée d'une pinte d'eau et d'une cuillerée à soupe de bicarbonate de soude. Comme autre solution de nettoyage, utilisez une solution comportant un savon ou un détergent doux. Lavez les tablettes en verre à l'aide d'une solution comportant un détergent doux; séchez les tablettes et essuyez-les à l'aide d'un chiffon doux. Nettoyez l'extérieur à l'aide d'un chiffon humide doux et d'un peu de détergent doux ou d'un produit de nettoyage des appareils électroménagers.

## PANNE D'ÉLECTRICITÉ

La plupart des pannes d'électricité sont corrigées dans un délai d'une heure et n'ont pas d'effets sur la température du réfrigérateur. Il est nécessaire de réduire le nombre d'ouvertures de la porte pendant une panne. Pendant les pannes qui durent plus qu'une heure, prenez des mesures pour protéger vos aliments.

## DÉMÉNAGEMENT

Enlever ou immobiliser toutes les pièces amovibles (*c'-à-d;* les *clayettes*) à l'intérieur du réfrigérateur. Serrer les vis à niveau à la base afin de ne pas les endommager.

## RANGEMENTS DES ALIMENTS

### Compartiments pour Aliments Frais

- Ne jamais recouvrir les clayettes du compartiment de papier d'aluminium ou autres matériaux car ceci peut empêcher la circulation d'air.
- Enlever toujours les emballages perméables du marchand qui recouvrent la viande, volaille et le poisson. Les viandes doivent être emballées individuellement, et déposées dans un récipient pour le rangement. Emballer la volaille ou le poisson dans du papier aluminium ou du papier ciré épais. Faites cuire la plupart de sortes de poisson le jour de l'achat. Les viandes emballées par le marchand, telles que le jambon, le bacon, le boeuf sec, ou les saucisses fumées se rangent très bien dans leur emballage.
- Laisser refroidir les aliments à la température de la pièce avant de les ranger dans le réfrigérateur.
- Toujours recouvrir les aliments, surtout les restants. Utiliser les restants avant 2 à 3 jours.

## PENDANT LES VACANCES

Si vous prenez des vacances de courte durée, laissez le bouton de commande à son réglage normal. Si l'absence doit durer longtemps,

- (a) enlever tous les aliments.
- (b) débranchez l'appareil de la prise murale.
- (c) Nettoyez le réfrigérateur complètement, en incluant le plateau d'égouttage (bac de décongélation) situé dans le bas de l'appareil.
- (d) Laisser la porte ouverte pour éviter la condensation, le moisi et les mauvaises odeurs.

### Importantes consignes de sécurité pour l'utilisation du réfrigérateur

- Ne jamais ranger d'aliments chauds dans le réfrigérateur.
- Ne jamais surcharger l'appareil.
- Ouvrir la porte seulement si nécessaire.
- Pour un rangement prolongé de l'appareil, il est suggéré de laver l'appareil, de laisser la porte ouverte afin de fournir une circulation d'air à l'intérieur du meuble et d'éviter le développement de condensation, de moisi et d'odeurs.

# DÉPANNAGE

De temps en temps, un problème est mineur et un appel de service peut ne pas être nécessaire. Utilisez ce guide de dépannage pour trouver une solution possible. Si l'unité continue de fonctionner incorrectement, appelez un dépôt de service autorisé ou le **numéro sans frais de Danby** pour obtenir de l'assistance.

Tel: 1-800-26-**Danby**® (1-800-263-2629)

| PROBLÈME   | CAUSE PROBABLE   | SOLUTION  |
|--|--|---|
| <b>1) Ne fonctionne pas.</b>                             | <ul style="list-style-type: none"><li>• Pas de tension à l'unité.</li><li>• Le cordon d'alimentation est débranché.</li><li>• Le mauvais voltage est utilisé.</li></ul>  | <ul style="list-style-type: none"><li>• Vérifiez la connexion du cordon d'alimentation.</li><li>• Branchez l'appareil.</li><li>• Utilisez le voltage approprié.</li></ul>   |
| <b>2) Le réfrigérateur fonctionne sans arrêt.</b>        | <ul style="list-style-type: none"><li>• La température est trop basse.</li><li>• La porte n'est pas fermée.</li><li>• De la nourriture chaude a été insérée.</li><li>• La porte est ouverte trop souvent/longtemps.</li><li>• Proximité d'une source de chaleur ou source de soleil.</li></ul>   | <ul style="list-style-type: none"><li>• Baissez le contrôle de température.</li><li>• Fermez la porte.</li><li>• Assurez-vous que la nourriture est fraîche avant de la placer dans l'appareil.</li><li>• Minimisez l'ouverture de la porte.</li><li>• Ne placez pas l'appareil près d'une exposition directe aux rayons de la chaleur/du soleil.</li></ul>   |
| <b>3) La température interne n'est pas assez froide.</b> | <ul style="list-style-type: none"><li>• Pas de tension à l'unité.</li><li>• Le cordon d'alimentation est débranché.</li><li>• Température trop élevée</li><li>• La porte n'est pas fermée.</li><li>• La nourriture est chaude.</li><li>• La porte est ouverte trop souvent/ longtemps.</li><li>• Obstruction de la circulation de l'air.</li><li>• Le mauvais voltage est utilisé.</li><li>• Proximité d'une source de chaleur ou exposition directe aux rayons du soleil.</li></ul> | <ul style="list-style-type: none"><li>• Vérifiez la connexion du cordon d'alimentation.</li><li>• Branchez l'appareil.</li><li>• Vérifiez le réglage et augmentez-le au besoin.</li><li>• Fermez la porte.</li><li>• Assurez-vous que la nourriture est fraîche avant de la placer dans l'appareil.</li><li>• Minimisez l'ouverture de la porte.</li><li>• Laissez l'air circuler dans la pièce autour de l'appareil.</li><li>• Utilisez le voltage approprié.</li><li>• Ne placez pas l'appareil près d'une exposition directe aux rayons de la chaleur/du soleil.</li></ul> |

## GARANTIE LIMITÉE SUR APPAREIL ÉLECTROMÉNAGER À DOMICILE

Cet appareil de qualité est garanti exempt de tout vice de matière première et de fabrication, s'il est utilisé dans les conditions normales recommandées par le fabricant.

Cette garantie n'est offerte qu'à l'acheteur initial de l'appareil vendu par Danby Products Limited (Canada) ou Danby Products Inc. (E.- U.A.) (ci-après « Danby ») ou par l'un des ses distributeurs agréés et elle ne peut être transférée.

### CONDITIONS

Les pièces en plastique sont garanties pour trente (30) jours seulement à partir de la date de l'achat, sans aucune prolongation prévue.

*Premiers 18 mois* Pendant les premiers dix-huit (18) mois, toutes pièces fonctionnelles de ce produit qui s'avèrent défectueuses seront réparées ou remplacées, selon le choix du garant, sans frais à l'acheteur INITIAL.

*Pour bénéficiaire du service* Le client sera responsable pour le transport et tous les frais d'expédition de tout appareil exigeant le service au dépôt de service autorisé le plus proche. S'adresser au détaillant qui a vendu l'appareil, ou à la station technique agréée de service la plus proche, où les réparations doivent être effectuées par un technicien qualifié. Si les réparations sont effectuées par quiconque autre que la station de service agréée ou à des fins commerciales, toutes les obligations de Danby en vertu de cette garantie seront annulées.

*Limites de l'entretien à domicile* Si l'appareil est installé à plus de 100 kilomètres (62 milles) du centre de service le plus proche, il doit être livré à l'atelier de réparation autorisé par Danby le plus proche, car l'entretien doit uniquement être réalisé par un technicien qualifié et certifié pour effectuer un entretien couvert par la garantie de Danby. Les frais de transport entre votre domicile et le lieu de l'entretien ne sont pas couverts par la présente garantie et doivent être acquittés par l'acheteur.

Aucune partie de la garantie ne prévoit implicitement que le fabricant sera tenu responsable des dommages subis par les aliments ou d'autres types de contenu, qu'ils soient causés par la défectuosité de l'appareil ou par son usage adéquat ou inadéquat.

### EXCLUSIONS

En vertu de la présente, il n'existe aucune autre garantie, condition ou représentation, qu'elle soit exprimée ou tacite, de façon manifeste ou intentionnelle, par Danby ou ses distributeurs agréés. De même, sont exclues toutes les autres garanties, conditions ou représentations, y compris les garanties, conditions ou représentations en vertu de toute loi régissant la vente de produits ou de toute autre législation ou règlement semblables. En vertu de la présente, Danby ne peut être tenue responsable en cas de blessures corporelles ou des dégâts matériels, y compris à l'appareil, quelle qu'en soit les causes. Danby ne peut pas être tenue responsable des dommages indirects dus au fonctionnement défectueux de l'appareil. En achetant l'appareil, l'acheteur accepte de mettre à couvert et de dégager Danby de toute responsabilité en cas de réclamation pour toute blessure corporelle ou tout dégât matériel causé par cet appareil.

### CONDITIONS GÉNÉRALES

La garantie ou assurance ci-dessus ne s'applique pas si les dégâts ou réparations sont dus aux cas suivants :

- 1) Panne de courant.
- 2) Dommages subis pendant le transport ou le déplacement de l'appareil.
- 3) Alimentation électrique incorrecte (tension faible, câblage défectueux, fusibles incorrects).
- 4) Accident, modification, emploi abusif ou incorrect de l'appareil tel qu'une circulation d'air inadéquate dans la pièce ou des conditions de fonctionnement anormales (température extrêmement élevée ou basse).
- 5) Utilisation dans un but commercial ou industriel (à savoir, si l'appareil n'est pas installé dans un domicile résidentiel).
- 6) Incendie, dommages causés par l'eau, vol, guerre, émeute, hostilités, cas de force majeure (ouragan, inondation, etc.).
- 7) Visites d'un technicien pour expliquer le fonctionnement de l'appareil au propriétaire.
- 8) Installation inappropriée (par exemple, encastrement d'un appareil autoportant, ou utilisation extérieure d'un appareil non conçu à cet effet). Une preuve d'achat doit être présentée pour toute demande de réparation sous garantie. Prière de garder le reçu. Pour faire honorer la garantie, présenter ce document à la station technique agréée ou s'adresser à :

**Service sous garantie**  
Service au domicile

Danby Products Limited  
PO Box 1778, Guelph, Ontario, Canada N1H 6Z9  
Téléphone : (519) 837-0920 Télécopieur: (519) 837-0449

**1-800-263-2629**  
02/14

Danby Products Inc.  
PO Box 669, Findlay, Ohio, U.S.A. 45840  
Téléphone: (419) 425-8627 Télécopieur: (419) 425-8629

# INSTRUCCIONES DE SEGURIDAD IMPORTANTES

LEA TODAS LAS INSTRUCCIONES DE SEGURIDAD ANTES DE UTILIZAR EL EQUIPO

## REQUISITOS ELÉCTRICOS

Este artefacto debe ser conectado a tierra. En caso de un corto circuito eléctrico, la conexión a tierra reduce el riesgo de una descarga eléctrica proporcionando un cable de retorno para la corriente eléctrica.

Este artefacto viene con un cable de alimentación que tiene un conductor y pata del enchufe de tierra. Este cable debe enchufarse en un tomacorriente debidamente instalado y con conexión a tierra.

**ADVERTENCIA** - El uso inadecuado del enchufe de conexión a tierra puede resultar en un riesgo de choque eléctrico. Consulte con un electricista o persona de reparaciones competente si no comprende bien las instrucciones de conexión a tierra o si existe alguna duda sobre si el aparato está conectado a tierra correctamente.

**NO USE CABLES DE EXTENSIÓN:** Use una toma de corriente exclusiva. No conecte su refrigerador a cables de extensión o junto a otro aparato en la misma toma de corriente. No empalme el cable.

### ¡ADVERTENCIA IMPORTANTE!

Los refrigeradores vacíos son una atracción muy peligrosa para los niños. Retire la junta, los pestillos, las tapas o las puertas de los aparatos no utilizados, o tome alguna otra medida que garantice que el aparato es inofensivo.

**PELIGRO:** riesgo de atrapar a los niños. Antes de desechar su refrigerador o congelador viejo :

- retire las puertas
- deje los estantes o anaqueles en su lugar de manera que los niños no puedan treparse con facilidad.

**¡NO ESPERE, HAGALO AHORA MISMO!**

### ¡ADVERTENCIA! ¡PELIGRO DE EXPLOSIÓN!

Hay riesgo de incendio o explosión si el tubo de refrigerante es perforado. No use objetos cortantes para ayudar en descongelamiento. Tratar con cuidado. Mantenga lejos del refrigerador los vapores y materiales inflamables, como la gasolina. Use un limpiador no inflamable.

Siga las normas federales y locales para desechar la unidad.

**¡GUARDE ESTAS INSTRUCCIONES!**

## INSTRUCCIONES DE INSTALACIÓN

### UBICACIÓN

Saque los embalajes exteriores e interiores, limpie el exterior bien con un paño suave seco y el interior con un paño húmedo y tibio. Evite colocar la caja en un hueco estrecho o cerca de una fuente de calor, luz de sol directa, o lugar húmedo. Deje que el aire circule libremente alrededor de la caja. Mantenga la parte posterior del refrigerador a 5 pulgadas de la pared.

- 1) Seleccione un lugar con un piso firme y nivelado.
- 2) Permita cinco pulgadas de espacio entre la parte posterior del refrigerador y toda pared contigua.
- 3) Evite luz directa del sol o calor. La luz directa del sol puede afectar la capa de acrílico. Las fuentes de calor en su proximidad causarán un consumo mayor de electricidad.
- 4) Evite lugares muy húmedos. Demasiada humedad en el aire hará que se acumule escarcha rápidamente en el evaporador y deberá descongelar su refrigerador con mucha frecuencia.

# INSTRUCCIONES DE INSTALACIÓN

## INSTRUCCIONES PARA CAMBIAR SENTIDO EN QUE SE ABRE LA PUERTA

### ADVERTENCIA

Para evitarse lesiones personales y daños a la propiedad, recomendamos que otra persona lo ayude durante el proceso de cambiar de sentido en que se abre la puerta.

Si usted encuentra la dirección de abrir la puerta en su aplicación incómoda, usted puede cambiarla siguiendo los pasos demostrados en los diagramas abajo.

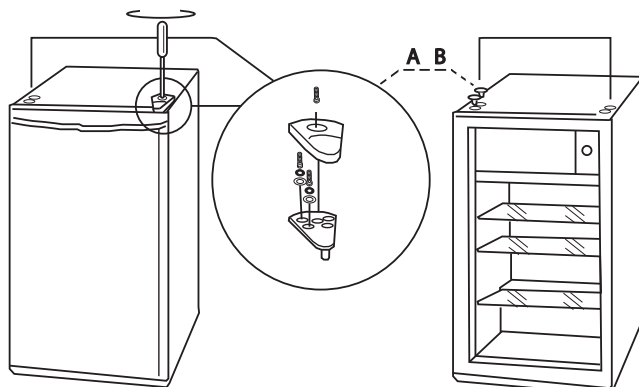


Fig. 1

Fig. 2

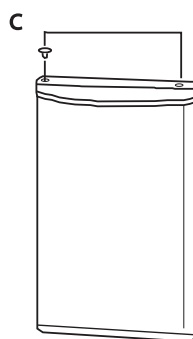


Fig. 3

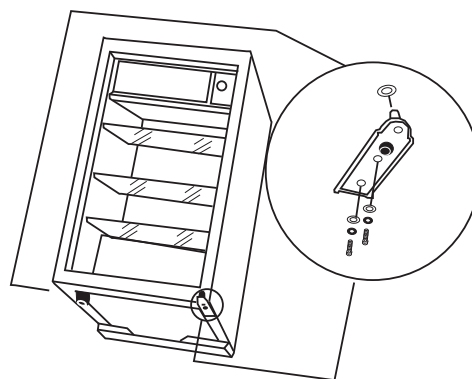
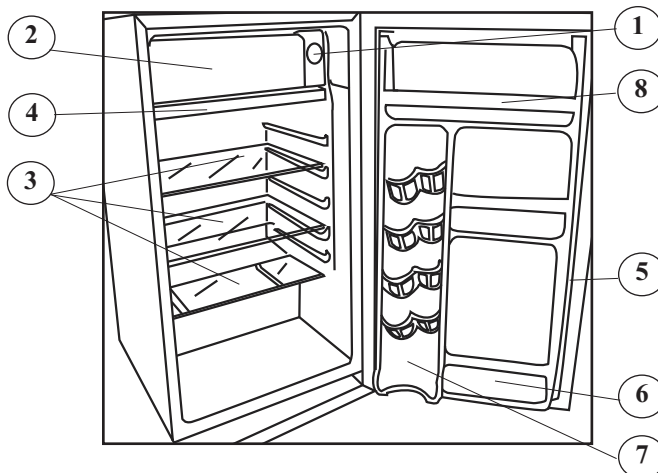


Fig. 4

## CARACTERÍSTICAS

- 1. DISCO DEL TERMOSTATO/TECLA DE DESCONGELACIÓN:** Para controlar la temperatura dentro del refrigerador. Enciende el motor tan pronto como la temperatura sube por encima del nivel deseado.
- 2. COMPARTIMENTO DE CONGELACIÓN CON PUERTA DE CONGELADOR**
- 3. ESTANTES DE VIDRIO**
- 4. BANDEJA PARA GOTEO:** Atrapa el agua que gotea del evaporador cuando se está descongelando.
- 5. JUNTA MAGNÉTICA:** Un cierre ajustado de la puerta que mantiene toda la potencia de enfriamiento encerrada en el refrigerador. Sin ganchos ni pestillos.
- 6. ESTANTE PARA BOTELLAS:** Para botellas, latas o frascos altos, medianos y grandes.
- 7. FORRO DE PUERTA CANSTOR™:** Sostiene latas de bebidas gaseosas, de jugo o de cerveza de 355 mL.
- 8. CAJILLA DE HUEVOS**





# INSTRUCCIONES OPERADORAS

Para evitar vibraciones, la caja debe estar nivelada. Esto se logra ajustando la pata delanteras de nivelación ubicadas debajo de la caja del refrigerador. La temperatura de la refrigeradora se controla ajustando la perilla del termostato al punto deseado.

## SELECCIÓN DE LA TEMPERATURA

Para encender la refrigeradora, gire la perilla de control de la temperatura a la posición correspondiente a la refrigeración deseada (en el disco graduado de color azul). Fig. A.

La temperatura de la refrigeradora variará, dependiendo de la cantidad de alimentos que se haya almacenado y de la frecuencia con que se abre la puerta. Para dar vuelta a la perilla de control a la posición "OFF", déle vuelta a la configuración de "0". Luego de descongelar, y si la refrigeradora ha estado sin usarse durante algún tiempo, ponga el control al máximo durante 2 o 3 horas, antes de ponerlo en la posición deseada. Si no se usa la refrigeradora por períodos largos, desconecte el enchufe y deje la puerta parcialmente abierta. Esto ayudará a disminuir la acumulación de moho dentro del mueble de la refrigeradora.

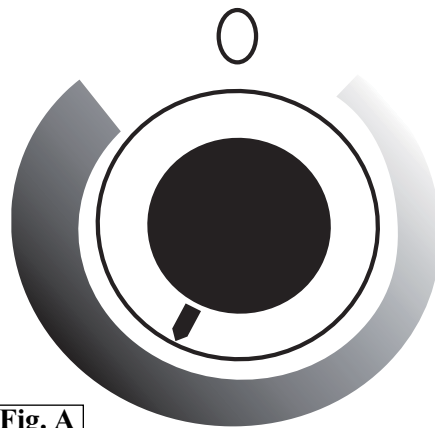


Fig. A

## CUIDADO Y MANTENIMIENTO

### INSTRUCCIONES PARA DESCONGELAR

Este refrigerador funciona con un mando de botón (semi-automático) sistema de descongelación con termostato. Para activar el ciclo de descongelación, empuje el botón de descongelación rojo, que se encuentra al centro de control (no gira el tirador de control a zero= apagado). El ciclo de descongelación comienza inmediatamente. Cuando la descongelación ha completado, se desenganchará automáticamente el mando de botón y resume las condiciones normales de operación al mismo temperatura colocada.

**Nota:** Si Ud. empuja sin querer el mando de botón no será posible de lo salir manualmente (desactivar el ciclo de descongelación). Es necesario dejar continuar el ciclo de descongelación.

Es necesario descongelar el refrigerador cada vez que el hielo al interior del congelador llega a un espesor de 1/4" (6mm). La descongelación puede durar hasta 2 horas, dependiendo de la cantidad del hielo acumulado. Para acelerar el tiempo de la descongelación quite toda la comida congelada de la sección del congelador. Dejando la puerta entre abierta por un periodo de tiempo muy corto acelerará el proceso también.

**IMPORTANTE:** Ud. Tiene que recordar de cerrar la puerta del refrigerador antes el ciclo de descongelación se termina y las condiciones normales resumen automáticamente. La bandeja de gota debería estar en lugar directamente por abajo del congelador para atrapar el agua evaporado durante la descongelación.

**AVISO IMPORTANTE:** Nunca use instrumentos afilados o puntiagudos para descongelar/sacar el hielo del compartimiento de evaporación/congelador. El compartimiento de evaporación/congelador contiene líneas de gas refrigerado y si se perfora/agujerea accidentalmente, hará que el refrigerador no funcione y "anulará" la garantía del fabricante.

**NO PERMITA QUE EL REFRIGERADOR CONTINÚE FUNCIONANDO SI EL COMPARTIMIENTO DEL CONGELADOR ESTÁ PERFORADO.**

**NOTA:** Espere entre 3 a 5 minutos antes de volver a encender si el funcionamiento se vio interrumpido.

# CUIDADO Y MANTENIMIENTO

## LIMPIEZA

Para limpiar el interior, utilice un trapo suave y una mezcla de una cucharada de bicarbonato de sosa disuelta en un cuarto de agua. Otras soluciones de limpieza que pueden utilizarse son espuma de jabón suave o detergente suave. Lave los estantes de vidrio con una solución de detergente suave, luego séquelos y páselos un trapo suave. Limpie el exterior con un trapo suave húmedo y detergente suave o limpiador.

## CORTE DE CORRIENTE

La mayoría de los cortes de corriente se corrigen en una o dos horas y no afectarán las temperaturas de su refrigerador. Sin embargo, Ud. deberá reducir la cantidad de veces que abre la puerta cuando la corriente esté apagada. Durante los cortes de corriente de larga duración, tome medidas para proteger sus alimentos.

## SI UD SE MUDA

Saque o asegure todos los artículos dentro (ej. parrillas) del refrigerador. Para evitar que los tornillos de nivel se averíen, gírelos completamente hacia la base.

## SUGERENCIAS PARA GUARDAR ALIMENTOS

### El Compartimiento para Alimentos Frescos

- Nunca cubra los estantes del compartimiento para alimentos con papel de aluminio o cualquier otro material para cubrir estantes que puedan obstruir la circulación del aire.
- Siempre saque la envoltura porosa proveniente de la tienda, de toda la carne, pollo o pescado. La carne se debe envolver en forma individual. Envuelva el pescado y el pollo en papel aluminio o papel encerado grueso. La mayoría de los pescados se deben usar el mismo día en que se compran. Las carnes empaquetadas como el jamón, tocino, carne seca o salchichas, se almacenan mejor en sus paquetes originales.
- Permita que los alimentos calientes se enfríen a temperatura ambiente antes de colocarlos en el refrigerador.
- Siempre cubra los platos con alimentos, especialmente los restos. Use los restos en 2 o 3 días.

## PERÍODO DE VACACIONES

Para los periodos cortos de vacaciones, deje el control en su configuración normal. Durante los largos periodos de ausencia;

- (a) saque todos los alimentos,
- (b) desconecte el cable del tomacorriente,
- (c) Limpie bien el congelador, incluyendo la bandeja colectora (bandeja de descongelado) ubicada en el piso de la unidad.
- (d) deje la puerta abierta para evitar la formación de condensación, moho u olores.

### Algunas reglas importantes para el uso correcto del refrigerador

- Nunca coloque alimentos calientes en el refrigerador.
- No sobrecargue el gabinete.
- No abra la puerta a menos que sea necesario.
- Si el congelador se guarda sin uso por períodos largos de tiempo, se sugiere que, luego de una limpieza cuidadosa, se deje la puerta entreabierta para permitir que el aire circule dentro de el gabinete y evitar una posible formación de condensación, moho u olores.

# DIAGNÓSTICOS DE PROBLEMAS

A menudo, los problemas son sencillos y no es necesario hacer una llamada de reparación, use esta guía de resolución de problemas para encontrar una posible solución. Si la unidad sigue funcionando mal, llame a los números gratuitos de un centro Danby de servicio autorizado.

Tel: 1-800-26-Danby® (1-800-263-2629)

| PROBLEMA   | POSSIBLE CAUSA   | SOLUCIÓN SUGERIDA  |
|--|--|--|
| <b>1) No funciona.</b>                             | <ul style="list-style-type: none"> <li>• No llega alimentación a la unidad.</li> <li>• Cable de alimentación desenchufado.</li> <li>• Voltaje incorrecto.</li> </ul>   | <ul style="list-style-type: none"> <li>• Revise la conexión del cable de alimentación al enchufe.</li> <li>• Enchufe la unidad.</li> <li>• Use el voltaje correcto.</li> </ul>   |
| <b>2) El refrigerador funciona constantemente.</b> | <ul style="list-style-type: none"> <li>• Temperatura demasiado baja</li> <li>• La puerta no está cerrada.</li> <li>• Se colocó comida caliente.</li> <li>• Se abrió la puerta demasiadas veces durante mucho tiempo.</li> <li>• Muy cerca de una fuente de calor o bajo la luz directa del sol.</li> </ul>   | <ul style="list-style-type: none"> <li>• Baje el control de temperatura.</li> <li>• Cierre bien la puerta.</li> <li>• Verifique que los alimentos estén a temperatura ambiente antes de guardarlos.</li> <li>• Abra menos veces la puerta.</li> <li>• No coloque la unidad cerca de fuentes de calor o bajo la luz directa del sol.</li> </ul>   |
| <b>3) La temperatura interna no es muy fría.</b>   | <ul style="list-style-type: none"> <li>• No llega alimentación a la unidad.</li> <li>• Cable de alimentación desenchufado.</li> <li>• Temperatura demasiado alto</li> <li>• La puerta no está cerrada.</li> <li>• Alimentos calientes.</li> <li>• Se abrió la puerta demasiadas veces o durante mucho tiempo.</li> <li>• Obstrucción del flujo de aire.</li> <li>• Voltaje incorrecto.</li> <li>• Muy cerca de una fuente de calor o bajo la luz directa del sol.</li> </ul> | <ul style="list-style-type: none"> <li>• Revise la conexión del cable de alimentación al enchufe.</li> <li>• Enchufe la unidad.</li> <li>• Verifique el ajuste y aumentelo como sea necesario.</li> <li>• Cierre bien la puerta.</li> <li>• Verifique que los alimentos estén a temperatura ambiente.</li> <li>• Abra menos veces la puerta.</li> <li>• Deje lugar para que circule aire alrededor de la unidad.</li> <li>• Use el voltaje correcto.</li> <li>• No coloque la unidad cerca de fuentes de calor o bajo la luz directa del sol.</li> </ul> |

# GARANTÍA LIMITADA PARA ELECTRODOMÉSTICO

Este producto de calidad está garantizado contra defectos de fabricación, incluyendo partes y mano de obra, siempre y cuando la unidad se utilice bajo las condiciones normales de funcionamiento para las que fue diseñado.

Esta garantía está solamente disponible para la persona que haya comprado originalmente esta unidad directamente de Danby Products Limited (Canada) o Danby Products Inc. (U.S.A.) (en adelante "Danby") o uno de sus distribuidores autorizados, y no es transferible.

## CONDITIONS

Las piezas plásticas, se autorizan por treinta (30) días solamente a partir de la fecha de la compra, sin las extensiones proporcionadas.

- Primeros 18 meses* Durante los primeros 18 meses, cualquier parte en buen estado de este producto que resulte defectuosa, incluyendo cualquier sistema sellado, será reparado o reemplazado, a opción del fabricante, sin cargo para el comprador ORIGINAL.
- Para obtener servicio* Danby se reserva el derecho de limitar la cobertura de "Servicio en Domicilio" sujeto a la proximidad de un Taller de Servicio Autorizado. Para todo artefacto que requiera servicio fuera del área limitada de "Servicio en Domicilio", el cliente será responsable por transportar dicho artefacto hasta el Taller de Servicio Autorizado más cercano. Consulte "Límites del servicio técnico a domicilio", a continuación. Comuníquese con el distribuidor donde haya comprado la unidad, o llame al Taller de Servicio Autorizado más cercano, donde debe ser reparada por un técnico calificado. Si esta unidad es reparada en otro lugar que no sea un Taller de Servicio Autorizado, o si la unidad se utiliza para aplicaciones comerciales, Danby no se hará responsable de ninguna forma y la garantía será anulada.
- Límites del servicio técnico a domicilio* Si el electrodoméstico está instalado en un lugar que se encuentra a 100 kilómetros (62 millas) o más del centro de servicios más cercano, se debe llevar la unidad al Centro de servicios Danby autorizado más cercano, ya que dicho servicio sólo puede realizarlo un técnico calificado y certificado por Danby para prestar servicios de garantía. Los cargos por transporte desde y hacia el lugar en que se efectúe el servicio técnico no están cubiertos por esta garantía y son de responsabilidad del comprador.

Nada dentro de esta garantía implica que Danby será responsable por cualquier daño que hayan sufrido los alimentos u otros contenidos de este aparato, ya sea debido a un defecto del aparato, o su uso, adecuado o inadecuado.

## EXCLUSIONES

Salvo lo aquí indicado por Danby, no existen otras garantías, condiciones o representaciones, explícitas o implícitas, concretas o intencionales por parte de Danby o sus distribuidores autorizados y todas las demás garantías, condiciones o representaciones, incluyendo cualquier garantía, condiciones o representaciones bajo cualquier Acta de Venta de Productos o legislación o estatuto similar, quedan de esta forma expresamente excluidas. Salvo lo aquí indicado, Danby no serán responsables por ningún daño a personas o bienes, incluyendo la propia unidad, sin importar su causa, o de ningún daño indirecto causado por el desperfecto de la unidad, y al comprar esta unidad, el comprador acepta por la presente, indemnizar y proteger a Danby contra cualquier reclamo por daños a personas o bienes causados por la unidad.

## CONDICIONES GENERALES

No se considerará ninguna de estas garantías o seguros cuando el daño o la necesidad de reparación sea el producto de los siguientes casos:

- 1) Falla del suministro eléctrico.
- 2) Daños en tránsito o durante el transporte de la unidad.
- 3) Alimentación incorrecta, como bajo voltaje, instalación eléctrica defectuosa o fusibles inadecuados.
- 4) Accidente, modificación, abuso o uso incorrecto del artefacto, tal como insuficiente ventilación del ambiente o condiciones de operación anormales (temperatura ambiente extremadamente alta o baja).
- 5) Utilización comercial o industrial (v.g., si el electrodoméstico no está instalado en una vivienda particular).
- 6) Incendio, daños por agua, robo, guerra, disturbios, hostilidades, actos de fuerza mayor como huracanes, inundaciones, etc.
- 7) Pedidos de servicio debido a desinformación del usuario.
- 8) Instalación inadecuada (v.g., instalación empotrada de un electrodoméstico diseñado como unidad independiente o uso de un electrodoméstico al aire libre que no esté aprobado para dicho fin).

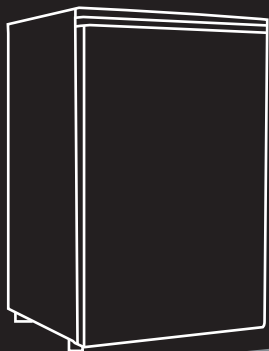
Para acceder a la garantía se solicitará un comprobante de compra; por lo tanto, guarde su recibo. En caso de necesitar servicio de garantía, presente ese documento al TALLER DE SERVICIO AUTORIZADO.

**Servicio de Garantía**  
Servicio en Domicilio

Danby Products Limited  
PO Box 1778, Guelph, Ontario, Canada N1H 6Z9  
Telephone: (519) 837-0920 FAX: (519) 837-0449

**1-800-263-2629**  
07/13

Danby Products Inc.  
PO Box 669, Findlay, Ohio, U.S.A. 45840  
Telephone: (419) 425-8627 FAX: (419) 425-8629



## COMPACT REFRIGERATOR RÉFRIGÉRATEUR COMPACT REFRIGERADOR COMPACTO

Model • Modèle • Modelo

DCR044A2BDD / DCR044A2BSLDD / DCR044A2WDD

### COMPACT REFRIGERATOR

All repair parts are available for purchase or special order when you visit your nearest service depot. To request service and/or the location of the service depot nearest you, call the TOLL FREE number.

When requesting service or ordering parts, always provide the following information:

- Product Type
- Model Number
- Part Number
- Part Description

---

### REFRIGERADOR COMPACTO

Todas las piezas de reparación disponibles para la compra o la orden especial cuando usted visita su depósito más cercano del servicio. Para pedir servicio y/o la localización del depósito del servicio lo más cerca posible a usted, llame Danby gratis.

Al pedir servicio o pidiendo piezas, proporcione siempre la información siguiente:

- Tipo de producto
- Número de modelo
- Número de pieza
- Descripción de la parte

### RÉFRIGÉRATEUR COMPACT

Toutes les pièces de rechange ou commandes spéciales sont disponibles à votre centre de service régional autorisé. Pour obtenir le service et/ou la localité de votre centre de service régional, signalez le NUMÉRO D'APPEL SANS FRAIS.

Ayez les renseignements suivants à la portée de la main lors de la commande de pièce ou service:

- Type de produit
- Numéro de modèle
- Numéro de pièce
- Description de la pièce



## Free Manuals Download Website

<http://myh66.com>

<http://usermanuals.us>

<http://www.somanuals.com>

<http://www.4manuals.cc>

<http://www.manual-lib.com>

<http://www.404manual.com>

<http://www.luxmanual.com>

<http://aubethermostatmanual.com>

Golf course search by state

<http://golfingnear.com>

Email search by domain

<http://emailbydomain.com>

Auto manuals search

<http://auto.somanuals.com>

TV manuals search

<http://tv.somanuals.com>