

Danby® *Designer*

- WINE COOLER
- REFROIDISSEUR À VIN
- HELADERA PARA VINOS

Owner's Use and Care Guide
Guide d'utilisation et soins de Propriétaire
Manual de Instruccions pare el Uso y Cuidado de su Unidad

Model • Modèle • Modelo
DWC106A1BPDD



V2.04.13.DM

CONTENTS

WINE COOLER

Owner's Use and Care Guide

- Important Safety Information
- Installation Instructions
- Operating Instructions
- Care and Cleaning
- Troubleshooting
- Warranty

..... 1 - 7

REFROIDISSEUR À VIN

Guide d'utilisation et soins de Propriétaire

- Consignes de Sécurité Importantes
- Instructions d'installation
- Instructions de Fonctionnement
- Soins et Entretien
- Dépannage
- Garantie

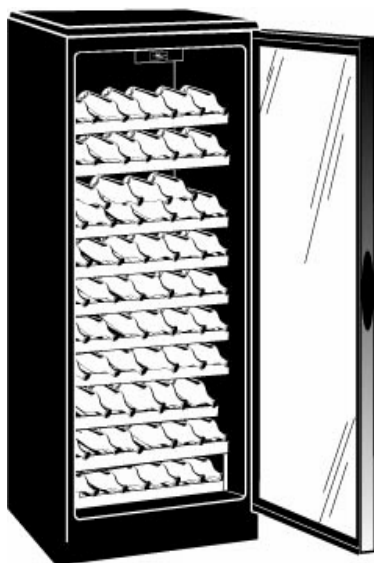
..... 8 - 14

HELADERA PARA VINOS

Guía para utilizar y cuidar del Proprietario

- Instrucciones Importantes de seguridad
- Instruccions Operadoras
- Instruccions d'instalación
- Limpieza y Mantenimiento
- Diagnostico de Problemas
- Garantia

..... 15 - 21



Model • Modèle • Modelo
DWC106A1BPDD

CAUTION:

Read and Follow All Safety Rules and Operating Instructions Before First Use of This Product.

ATTENTION:

Avant de faire fonctionner cette machine, lisez et suivez toutes les consignes de sécurité de ce guide en premier lieu.

ATENCIÓN:

Lea y siga todas las indicaciones de seguridad y de operación antes de utilizar este producto.

WELCOME

Welcome to the Danby family. We're proud of our quality products and we believe in dependable service. You'll see it in this easy-to-use manual and you'll hear it in the friendly voices of our consumer service department.

1-800-26-Danby®
(1-800-263-2629)

Best of all, you'll experience these values each time you use your Wine Cooler. That's important, because your new appliance will be part of your family for a long time.

BEFORE USING YOUR WINE COOLER

Write down the model and serial numbers here. They are on a label located on the back of the unit. Staple your receipt to this manual; you will need it to obtain service under warranty.

Model Number: _____

Serial Number: _____

Date Purchased: _____

NEED HELP?

Before you call for service, there are a few things you can do to help us serve you better...

Read this manual

It contains instructions to help you use and maintain your appliance properly.

If you received a damaged appliance

Immediately contact the dealer (or builder) that sold you the wine cooler.

Save time and money

Check the Trouble Shooting section before calling. This section helps you solve common problems that may occur.

If you do need service, you can relax knowing help is only a phone call away:

Tel: 1-800-26-Danby®
(1-800-263-2629)



IMPORTANT SAFETY INFORMATION

READ ALL SAFETY INFORMATION BEFORE USING



WARNING

DANGER, RISK OF CHILD ENTRAPMENT!

An empty refrigerator is a very dangerous attraction to children. Remove either the gasket, latches, lids, lock and/or doors from unused or discarded appliances, or take some other action to guarantee it harmless.

DON'T WAIT, DO IT NOW!

To reduce the risk of fire, burns, electric shock, or injury to persons when using your appliance, follow basic precautions, including the following sections;

SAFETY PRECAUTIONS

- This appliance must be grounded. Connect only to a properly grounded outlet. See “Grounding Instructions” section below.
- Do not operate this appliance if it has a damaged power cord or plug, if it is not working properly, or if the appliance has been damaged or dropped.
- Do not splice the power cord that is equipped with this appliance.
- Keep power cord away from heated surfaces.
- Do not immerse power cord, plug or the appliance itself in water.
- Do not use this product near water- for example, in a wet basement, near a swimming pool or near a sink.
- Do not use corrosive chemicals or vapors in this appliance.
- Use this appliance only for its intended use, as described in this manual.
- Do not store perishable food items such as (but not limited to) meats and dairy products in your Wine Cooler.
- Store wine in sealed containers only.
- See door surface cleaning instructions in the “Care and Cleaning” section of this manual.
- Do not cover or block any openings on the appliance.
- This appliance is intended for household use only. Do not attempt to operate or store this appliance outdoors.
- This appliance should be serviced only by qualified service personnel. Contact nearest authorized service facility for examination, repair or adjustment.

GROUNDING INSTRUCTIONS



WARNING: Improper use of the grounding plug can result in a risk of electric shock.

- This appliance must be grounded. In the event of an electrical short circuit, grounding reduces the risk of electric shock by providing an escape wire for the electric current.
- This appliance is equipped with a power cord having a grounding wire with a grounding plug. The plug must be plugged into an outlet that is properly installed and grounded.
- Consult a qualified electrician or service technician if the grounding instructions are not completely understood, or if doubt exists as to whether the appliance is properly grounded.
- If the outlet is a standard 2-prong wall outlet, it is your personal responsibility and obligation to have it replaced with a properly grounded 3-prong wall outlet.
- For best operation, plug this appliance into its own electrical outlet to prevent flickering of lights, blowing of fuse or tripping of circuit breaker.
- **Do not** under any circumstances cut or remove the third (ground) prong from the power cord.
- **Do not** use an adapter plug with this appliance.
- **Do not** use an extension cord with this appliance. If the power cord is too short, have a qualified electrician or service technician install an outlet near the appliance.

SAVE THESE INSTRUCTIONS!



INSTALLTION INTRUCTIONS

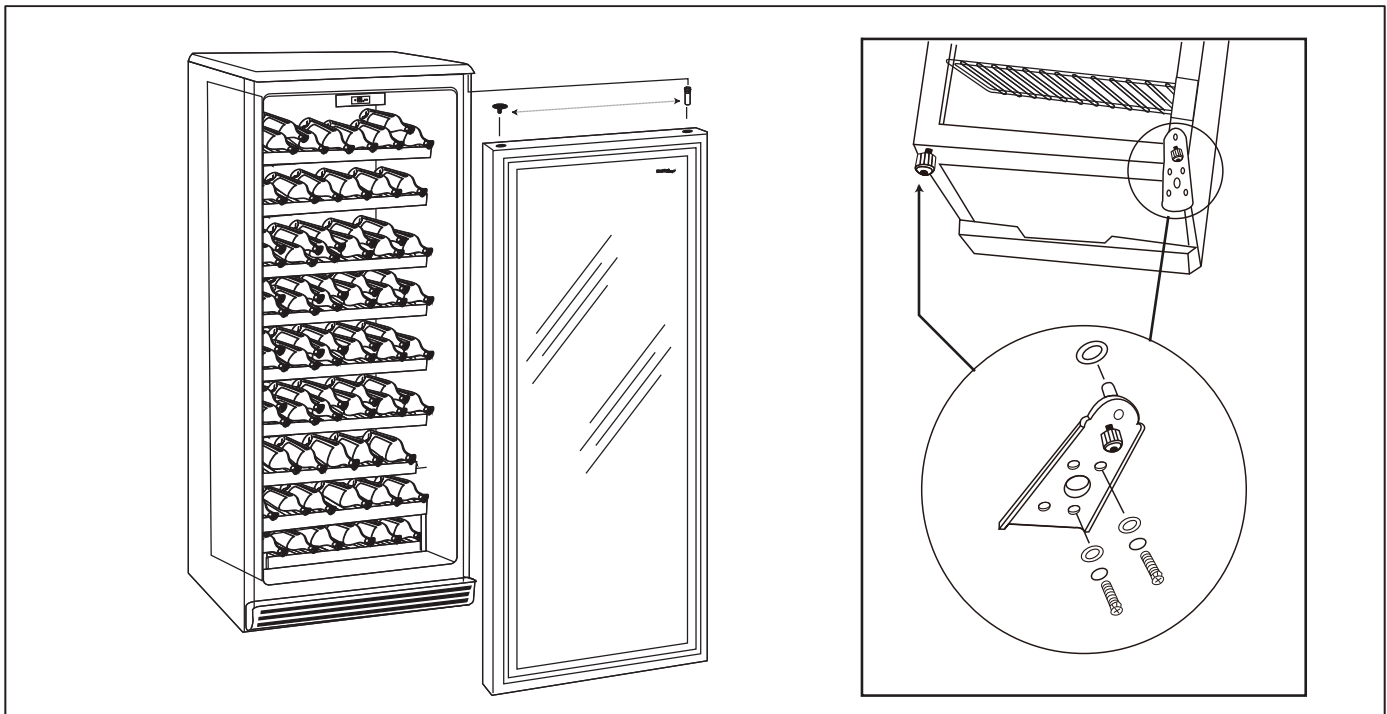
PREPARATION

ELECTRICAL REQUIREMENTS: The appliance must be connected to an individual, properly grounded electrical outlet, protected by a 15 or 20 ampere circuit breaker or time delay fuse.

- It is recommended that you do not install the wine cooler into a corner (i.e. directly beside a wall). This is to allow the door to have a greater than 90° opening swing. A limited door swing may lead to damaging the door gasket.

DOOR REVERSAL INSTRUCTIONS

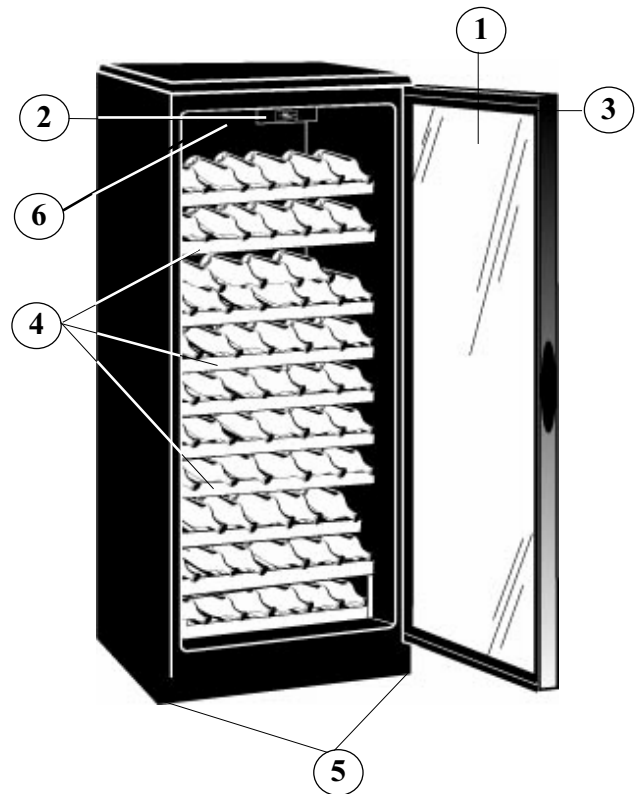
NOTE: Unplug the unit from electrical outlet.



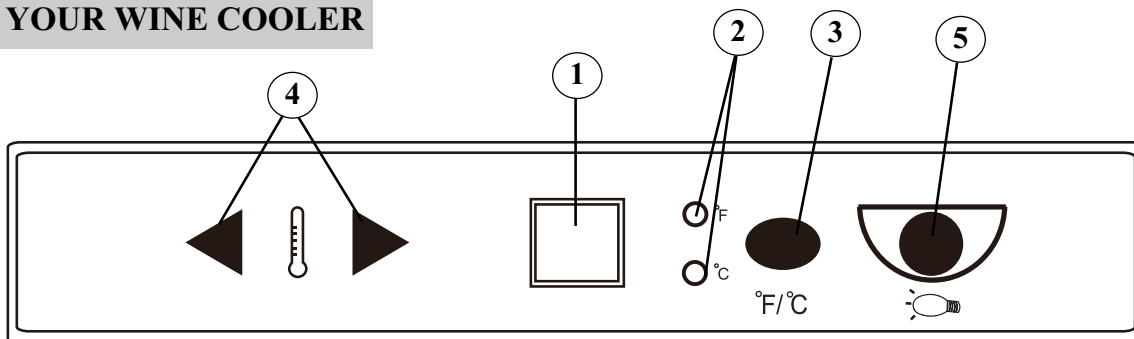
OPERATING INTRUCTIONS

FEATURES OF YOUR WINE COOLER

- 1) Tempered Glass Door:** Tinted for UV protection while still allowing for easy interior viewing.
- 2) Electronic Display and Controls:** For viewing and regulating the temperature of the wine cooler.
- 3) Magnetic Door Gaskets:** Tight fitting seals retain all the cooling power and humidity levels.
- 4) Wood shelves**
- 5) Leveling Legs.**
- 6) Interior Light:** Illuminates the compartment when the door is opened.



THE CONTROLS OF YOUR WINE COOLER



- 1) Temp. Set Display:** Display screen shows current set temperature you've selected for the cabinet.
- 2) °C/°F:** Adjacent indicator light denotes which scale of temperature is displayed.
- 3) °C/°F button**
- 4) 'UP' Button:** Used to raise the temperature (warmer) in 1° degree increments.
- 'DOWN' Button:** Used to decrease the temperature (cooler) in 1° degree increments.
- 5) Interior Lights ON/OFF button**

OPERATING INSTRUCTIONS (cont'd)

SETTING THE TEMPERATURE

Important: In the event of a power failure, wait 3 to 5 minutes before restarting.

- To switch the display between the Fahrenheit (°F) and Celsius (°C) scale, depress the 'UP' and 'DOWN' control buttons simultaneously for approximately five (5) seconds.
- The temperature range can be set as low as 43°F (6°C) or as high as 57°F (14°C) to suit your specific wine storage requirements. Each depression of the 'UP' or 'DOWN' buttons will allow you to adjust the temperature in 1° increments within the aforementioned range.
- You may view your 'set' temperature at any time by briefly depressing either the 'UP' or 'DOWN' button.

WINE STORAGE

The DWC106A1BPDD has a maximum* capacity of 75 (750mL) bottles of wine.
* when stocked as per the below instructions.

To accommodate 75 bottles it will be necessary for you to stock your wine cooler in the following way:

- The first shelf holds 6 bottles arranged as per Fig. 3, with an additional bottle stacked on either side of the controls, for a total of 8 bottles per the first shelf.
- The second shelf holds 6 bottles arranged as per Fig. 3.
- The third shelf holds 11 bottles when stacked as per Fig. 4; 6 bottles across the shelf, with 5 bottles

stacked alternately on top.

- The fourth and fifth shelves hold 6 bottles with one bottle stored horizontally behind, as in Fig. 5.
- The sixth through ninth shelves hold 6 bottles arranged as per Fig. 3.
- The bottom of your wine cooler contains a 2-tier wooden rack which accommodates 6 bottles per rack, arranged as per Fig. 3; this allows for a total of 75 (750mL) bottles of wine.

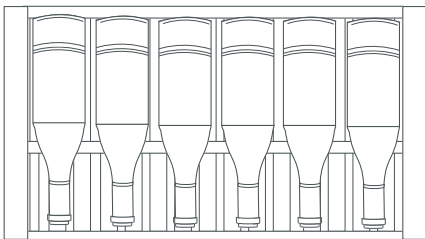


Fig. 3

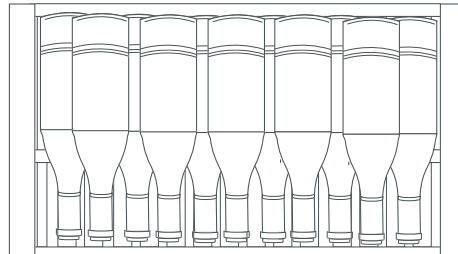


Fig. 4

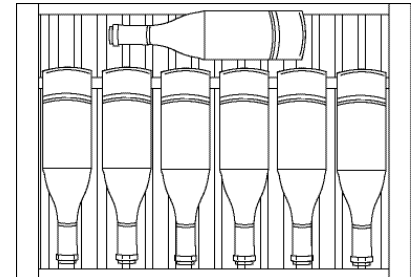


Fig. 5

SHELF INSTRUCTIONS

IMPORTANT!

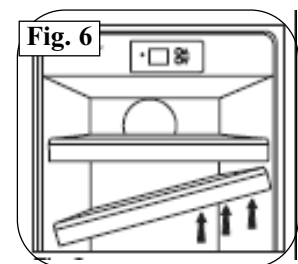
Do not cover any part of the shelves with aluminum foil or any other material that will prevent adequate air circulation within the cabinet.

To Remove a Shelf:

To remove a shelf from its locked position, tilt the shelf as shown in Fig. 6 and pull outward.

To Reinstall a Shelf:

To reinstall, ensure the shelf is resting securely on the support brackets and push the shelf inward until it locks in place.



CARE AND CLEANING

HELPFUL HINTS

Allow the wine cooler to remain open for a few minutes after manual cleaning to air out and dry the inside of the wine cooler cabinet

NOTE: Be certain the power is off before cleaning any part of this appliance.

HOW TO CLEAN THE INSIDE

Never use any commercial or abrasive cleaners or sharp objects on any part of the wine cooler.

Walls, Floors, Inside Window and Shelves:

Some water deposits and dust can be removed with a dry paper towel, others may require a damp cloth.

HOW TO CLEAN THE OUTSIDE

Do not use cleaners containing ammonia or alcohol on the wine cooler. Ammonia or alcohol can damage the appearance of the appliance.

Outer Case:

It's important to keep the area clean where the door seals against the cabinet. Clean this area with a sudsy cloth. Rinse and then dry.

Door surface:

Use only mild, non-abrasive detergents applied with a clean sponge or soft cloth. Rinse well.

Control Panel and Door:

Wipe with a damp cloth and dry thoroughly. Do not use cleaning sprays, large amounts of soap and water, abrasive or sharp objects on the panel- they can damage it. Some paper towels may also scratch the control panel and door glass.

TROUBLESHOOTING

BEFORE YOU CALL FOR SERVICE

PROBLEM	POSSIBLE CAUSE	SOLUTION
1) No power.	<ul style="list-style-type: none"> • A fuse in your home may be blown or a circuit breaker tripped • Power surge • Plug is not fully inserted into wall outlet. 	<ul style="list-style-type: none"> • Replace fuse or reset circuit breaker. • Unplug the wine cooler, wait a few seconds and plug back in. • Make sure the 3-prong plug is fully inserted into outlet.
2) Cabinet temperature too high.	<ul style="list-style-type: none"> • Temperature Setting. • Door not shut properly or opened excessively. • Interior lights toggled on. • Exhaust vent is obstructed. • Recently added large quantity of warm bottles to cabinet. 	<ul style="list-style-type: none"> • Verify the temperature control setting; adjust if necessary. • Ensure door is fully closed and the gasket is sealing against the cabinets. Open door only as needed and for short periods of time. • The interior lights are intended for temporary lighting of cabinets for display purposes only. They are not intended to be left on for prolonged periods of time. • Verify that nothing is blocking front-mounted exhaust vent. • Limit quantity of warm bottles introduced at the same time. Stagger the load introduction if possible.
3) Condensation on the cabinet and/or doors.	<ul style="list-style-type: none"> • High humidity conditions in the home. 	<ul style="list-style-type: none"> • Ensure door is fully closed and gasket is sealing against the cabinet. Open the door only as needed and for short periods of time.

If none of the above rectify the situation please contact our customer care department at

1-800-26-**Danby**® (1-800-263-2629)



Danby[®] Designer LIMITED IN-HOME APPLIANCE WARRANTY

This quality product is warranted to be free from manufacturer's defects in material and workmanship, provided that the unit is used under the normal operating conditions intended by the manufacturer.

This warranty is available only to the person to whom the unit was originally sold by Danby Products Limited (Canada) or Danby Products Inc. (U.S.A.) (hereafter "Danby") or by an authorized distributor of Danby, and is non-transferable.

TERMS OF WARRANTY

Plastic parts, are warranted for thirty (30) days only from purchase date, with no extensions provided.

First 18 Months During the first eighteen (18) months, any functional parts of this product found to be defective, will be repaired or replaced, at warrantor's option, at no charge to the ORIGINAL purchaser.

To obtain Service Danby reserves the right to limit the boundaries of "In Home Service" to the proximity of an Authorized Service Depot. Any appliance requiring service outside the limited boundaries of "In Home Service", it will be the consumer's responsibility to transport the appliance (at their own expense) to the original retailer (point of purchase) or a service depot for repair. See "Boundaries of In Home Service" below. Contact your dealer from whom your unit was purchased, or contact your nearest authorized Danby service depot, where service must be performed by a qualified service technician.

If service is performed on the unit by anyone other than an authorized service depot, or the unit is used for commercial application, all obligations of Danby under this warranty shall be void.

Boundaries of In Home Service If the appliance is installed in a location that is 100 kilometers (62 miles) or more from the nearest service center your unit must be delivered to the nearest authorized Danby Service Depot, as service must only be performed by a technician qualified and certified for warranty service by Danby. Transportation charges to and from the service location are not protected by this warranty and are the responsibility of the purchaser.

Nothing within this warranty shall imply that Danby will be responsible or liable for any spoilage or damage to food or other contents of this appliance, whether due to any defect of the appliance, or its use, whether proper or improper.

EXCLUSIONS

Save as herein provided, Danby, there are no other warranties, conditions, representations or guarantees, express or implied, made or intended by Danby or its authorized distributors and all other warranties, conditions, representations or guarantees, including any warranties, conditions, representations or guarantees under any Sale of Goods Act or like legislation or statute is hereby expressly excluded. Save as herein provided, Danby shall not be responsible for any damages to persons or property, including the unit itself, howsoever caused or any consequential damages arising from the malfunction of the unit and by the purchase of the unit, the purchaser does hereby agree to indemnify and hold harmless Danby from any claim for damages to persons or property caused by the unit.

GENERAL PROVISIONS

No warranty or insurance herein contained or set out shall apply when damage or repair is caused by any of the following:

- 1) Power failure.
- 2) Damage in transit or when moving the appliance.
- 3) Improper power supply such as low voltage, defective house wiring or inadequate fuses.
- 4) Accident, alteration, abuse or misuse of the appliance such as inadequate air circulation in the room or abnormal operating conditions (extremely high or low room temperature).
- 5) Use for commercial or industrial purposes (ie. If the appliance is not installed in a domestic residence).
- 6) Fire, water damage, theft, war, riot, hostility, acts of God such as hurricanes, floods etc.
- 7) Service calls resulting in customer education.
- 8) Improper Installation (ie. Building-in of a free standing appliance or using an appliance outdoors that is not approved for outdoor application).

Proof of purchase date will be required for warranty claims; so, please retain bills of sale. In the event warranty service is required, present this document to our AUTHORIZED SERVICE DEPOT.

Warranty Service
In-home

Danby Products Limited
PO Box 1778, Guelph, Ontario, Canada N1H 6Z9
Telephone: (519) 837-0920 FAX: (519) 837-0449

1-800-263-2629

Danby Products Inc.
PO Box 669, Findlay, Ohio, U.S.A. 45840
Telephone: (419) 425-8627 FAX: (419) 425-8629

10/12

BIENVENUE

Bienvenue dans la famille Danby. Nous sommes fiers de nos produits de qualité et croyons au bien fondé de fournir une assistance fiable à nos clients. Vous le découvrirez par ce guide facile d'utilisation et vous pourrez l'entendre en provenance des voix amicales de notre service d'assistance à la clientèle.

1-800-26-Danby®
(1-800-263-2629)

Mais, ce qui est encore mieux, vous pourrez bénéficier de ces valeurs à chaque utilisation de votre Centre de Breuvages. Ceci est important parce que votre nouveau appareil fera partie de votre famille pour longtemps.

AVANT D'UTILISER VOTRE REFROIDISSEUR DE VIN

Enregistrez ici les numéros de modèle et de série. Ces numéros se trouvent sur l'étiquette au dos de l'appareil. Agrafez votre reçu d'achat à l'arrière de ce guide. Il sera requis pour faire une réclamation de la garantie.

Numéro de modèle: _____

Numéro de série: _____

Date d'achat: _____

EN CAS DE BESOIN D'ASSISTANCE

Voici quelques contributions que vous pouvez effectuer avant de faire un appel de service, pour nous aider à mieux vous servir :

Lisez ce guide

Il comprend des instructions pour vous assister à l'utilisation et l'entretien adéquats de votre refroidisseur de vin.

Si votre appareil neuf est avarié

Communiquez immédiatement avec le revendeur (ou le fabricant).

Épargnez temps et argent

Avant de faire un appel de service, révisez le chapitre intitulé "Dépannage". Ce chapitre vous aidera à solutionner des problèmes communs qui pourraient survenir.

Si une réparation est requise, vous pouvez avoir l'esprit tranquille parce que de l'aide ne sera l'affaire que d'un appel téléphonique.

Tel: 1-800-26-Danby®
(1-800-263-2629)

INFORMATION DE SÉCURITÉ IMPORTANTES

LISEZ TOUTES LES INFORMATIONS DE SÉCURITÉ AVANT DE FAIRE FONCTIONNER L'APPAREIL



ATTENTION DANGER, RISQUE DES ENFANTS DEVIENNENT COINCER DANS L'APPAREIL

Un réfrigérateur vide est une attraction dangereuse aux enfants. Enlever les joints étanches, les loquets, les couvercles ou les porte des appareils qui ne sont pas utiliser, ou faites de soit que l'appareil ne présente aucun danger.

N'ATTENDEZ PAS! FAITES-LE IMMEDIATEMENT!

Pour minimiser le risque d'incendie, de brûlures, de chocs électriques ou de blessures, suivez les chapitres suivants en plus d'appliquer les précautions de base.

PRÉCAUTIONS

Cet appareil doit être mis à la terre. Branchez le seulement dans une prise correctement mise à la terre. Référez-vous au chapitre intitulé "Instructions de mise à la terre" ci-dessous.

- Ne faites pas fonctionner cet appareil s'il a un cordon ou fiche électrique endommagé, s'il ne fonctionne pas correctement, ou si l'appareil a été endommagé ou échappé.
- N'épissez pas le cordon électrique
- Gardez le cordon électrique éloigné des sources de chaleur.
- N'immersez pas le cordon ou sa fiche dans aucun liquide.
- N'utilisez pas cet appareil près de bassins d'eau, par exemple dans un sous-sol détrempé, près d'une piscine ou d'un évier.
- N'utilisez pas de produits chimiques ou vapeurs corrosives dans/près de cet appareil.
- N'utilisez cet appareil que pour les fins auxquelles il est conçu comme indiqué dans ce guide.
- Ne placez pas les articles périssables de nourriture dans votre centre de breuvages. (Pour exemple, les viandes et les produits laitiers)
- Entreposez les breuvages dans des bouteilles scellées seulement.
- Référez-vous aux instructions de nettoyage du fini de la porte se trouvant au(x) chapitre(s) de Soins et nettoyage de ce guide.
- Ne recouvrez pas ou n'obstruez aucune ouverture de l'appareil.
- Cet appareil est conçu pour un usage domestique à l'intérieur seulement. N'entreposez ni n'utilisez pas cet appareil à l'extérieur.
- Cet appareil ne devrait être réparé que par du personnel qualifié. Pour tout examen, réparation ou réglage, contactez votre centre de service le plus rapproché.

INSTRUCTIONS DE MISE À LA TERRE



AVERTISSEMENT: Une mauvaise utilisation de la mise à la terre de la fiche constitue un danger d'électrocution.

Cet appareil doit être mis à la terre. Dans l'éventualité d'un court-circuit, la mise à la terre procure un chemin direct de contournement du courant pour prévenir l'électrocution des manipulateurs de l'appareil. Cet appareil est muni d'un cordon comprenant une fiche et fil de mise à la terre. La fiche doit être branchée dans une prise correctement installée et mise à la terre.

Si les directives de mise à la terre ne sont pas tout à fait comprises ou en cas de tout doute relatif à la mise à la terre appropriée de l'appareil, faites appel à un électricien ou à un technicien qualifié. Si la prise murale est une prise à 2 branches, c'est votre obligation, et la responsabilité vous en incombe, de la faire remplacer par une prise à trois branches adéquatement mise à la terre. Pour un meilleur rendement et pour éviter que les ampoules d'éclairage

de la résidence soient affectées d'un affaissement de tension, ou que le fusible ou disjoncteur du circuit ne grille ou ne se déclenche, dédiez un circuit individuel d'alimentation à la machine à glaçons (prise (double) unique sur le circuit).

- **Sous aucun** prétexte il est permis de couper ou d'enlever la troisième branche (mise à la terre) de la fiche du cordon électrique.
- **N'utilisez pas** d'adaptateur de fiche avec cet appareil.
- **N'utilisez pas** de cordon de rallonge avec cet appareil. Si le cordon électrique de l'appareil ne rejoint pas la prise murale, faites installer une prise plus rapprochée par un électricien ou un technicien qualifié.

SAUVEGARDEZ CES INSTRUCTIONS!



INSTRUCTIONS D'INSTALLATION

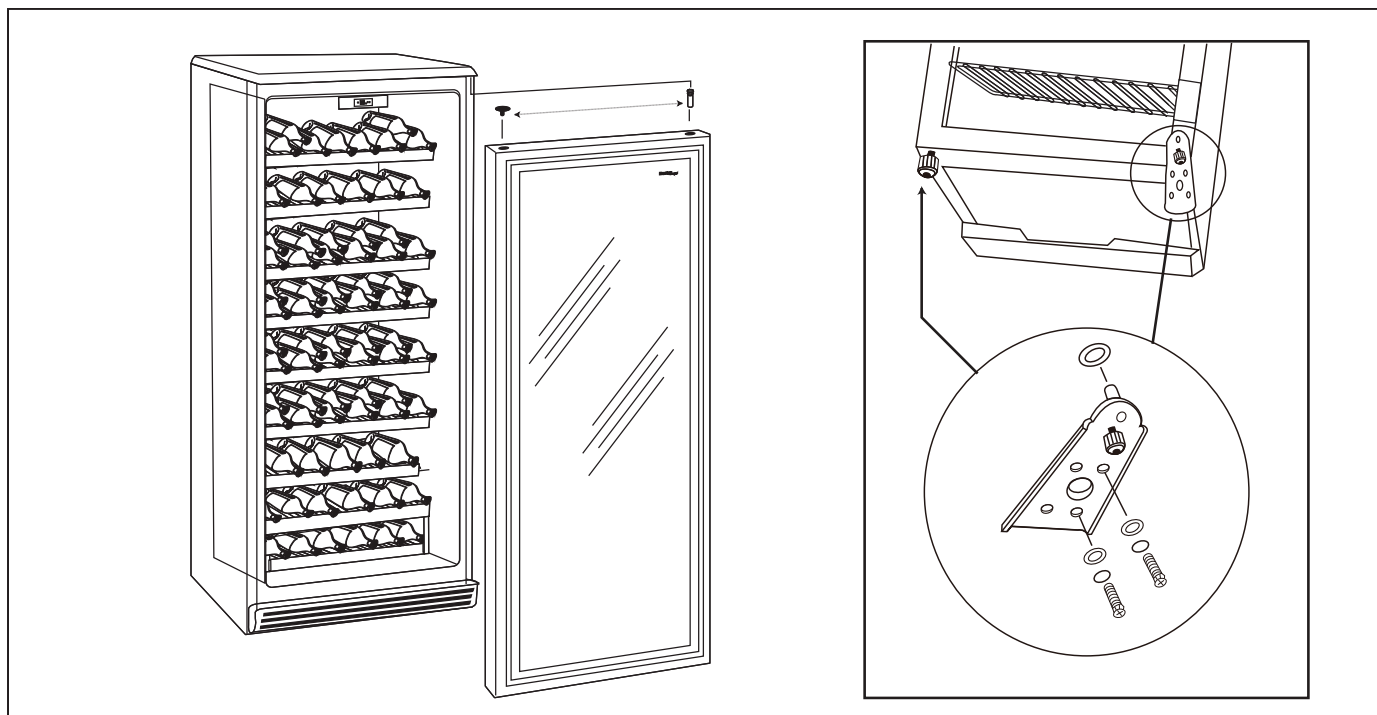
PRÉPARATION

Alimentation: Cet appareil doit être raccordé à un circuit de dérivation individuel correctement mis à la terre, protégé par un disjoncteur de 15 ou 20 ampères ou d'un fusible temporisé.

- Nous recommandons que vous n'installiez pas l'appareil dans un coin (directement près d'un mur). Ceci permet le porte d'avoir une oscillation plus grande que 90°. Une oscillation d'ouverture qui est limitée, empêchera les étagères de glisser dehors comme supposé, et peut endommager la garniture de porte.

RENVERSEMENT DE LA PORTE

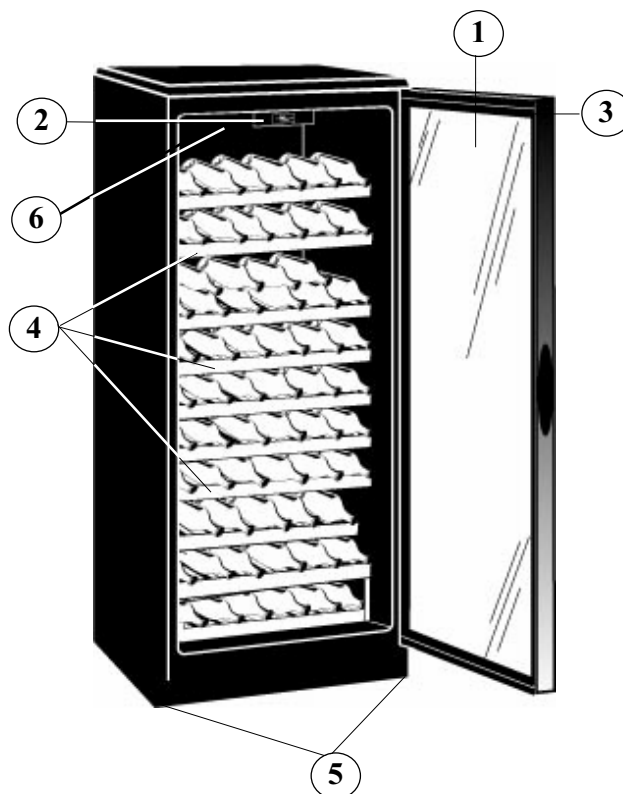
REMARQUE: Débranche l'appareil.



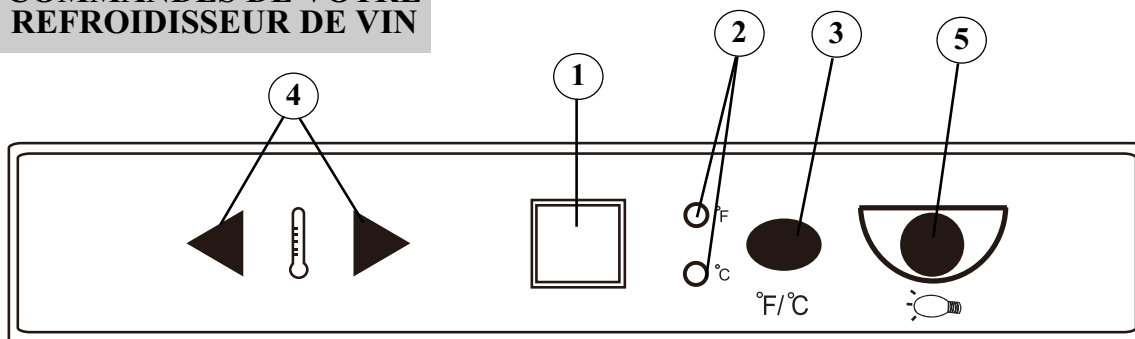
INSTRUCTIONS DE FONCTIONNEMENT

CARACTÉRISTIQUES DE VOTRE REFROIDISSEUR DE VIN

- 1) Portes En Verre Trempé:** Teinté pour protéger contre les rayons UV tout en permettant de voir facilement le contenu du cabinet.
- 2) Affichage et Controls Électroniques:** Affichage et réglage de la température du refroidisseur de vin.
- 3) Joint Étanche Magnétique:** Le joint étanche permet de conserver le niveau de température et d'humidité à l'intérieur du cabinet.
- 4) Étagères de bois**
- 5) Pieds Ajustables.**
- 6) Lumière Intérieures:** S'allume lorsqu'on ouvre la porte du cabinet.



COMMANDES DE VOTRE REFROIDISSEUR DE VIN



- 1) Réglage de Temp.:** L'écran affiche la température courante du cabinet.
- 2) C°/F° :** Le voyant situés à côté, dénote quelle balance de la température est montrée.
- 3) C°/F° bouton**
- 4) 'HAUT' bouton:** Augmenter la température (plus chaud) par intervalle de un degré
- 'BAS' bouton:** Diminuer la température (plus froid) par intervalle de un degré.
- 5) Lumière Intérieures bouton**

INSTRUCTIONS DE FONCTIONNEMENT (suite)

RÉGLAGE DU TEMPÉRATURE

IMPORTANT: En cas de panne de courant attendez de 3 à 5 minutes avant de redémarrer.

• Pour changer l'affichage entre la température en Celsius (°C) ou en Fahrenheit (°F) appuyez sur les boutons de contrôle 'HAUT' et 'BAS' en même temps pour environ 5 secondes.

• La température pour le compartiment peut être ajustée aussi basse que 43°F (6°C) ou aussi haut que 57°F (14°C) pour satisfaire à vos besoins spécifiques pour votre entreposage de vin. Chaque pression du bouton commande 'HAUT' ou 'BAS' vous permettra

d'ajuster la température par intervalle de un degré (1°) dans la marge mentionnée ci-dessus.

• Pour voir le réglage de la température (peu importe le moment), appuyez sur le bouton de contrôle 'HAUT' ou 'BAS'. La température réglée clignotera dans la fenêtre d'affichage pendant environ 5 secondes et reviendra alors automatiquement à l'affichage de la température ambiante de la pièce.

ENTREPOSAGE DES VINS

La capacité *maximum du DWC106A1BPDD est 75 bouteilles de vin (750ml).
* Quand il est stocké en utilisant les instructions fournies.

Afin de pouvoir ranger 75 bouteilles, il est nécessaire d'organiser votre refroidisseur à vins de la manière suivante:

• La première étagère peut contenir 6 bouteilles disposées comme sur Fig.3, une bouteille supplémentaire étant placée sur un côté ou l'autre des commandes, soit un total de 8 bouteilles sur la première étagère.

• La deuxième étagère peut contenir 6 bouteilles disposées comme sur Fig.3.

• La troisième étagère peut contenir 11 bouteilles lorsqu'elles sont empilées comme sur Fig. 4. 6 bouteilles étant placées sur l'étagère, 5 bouteilles étant

placées en quinconce dessus.

• La quatrième et la cinquième étagère peuvent contenir 6 bouteilles disposées comme sur Fig. 3, une bouteille étant placée en arrière à l'horizontale comme sur Fig. 5.

• Les étagères six à neuf peuvent contenir 6 bouteilles disposées comme sur Fig. 3

• La partie inférieure de votre cave à vins comporte un support en bois à deux niveaux pouvant accueillir chacun 6 bouteilles disposées comme sur Fig. 3. 75 bouteilles de vin (750 ml) en tout peuvent être placées dans la refroidisseur à vins.

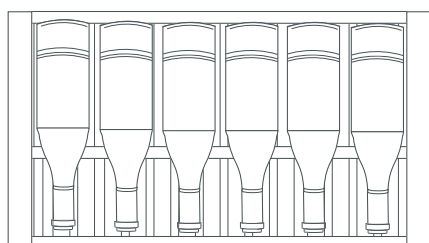


Fig. 3

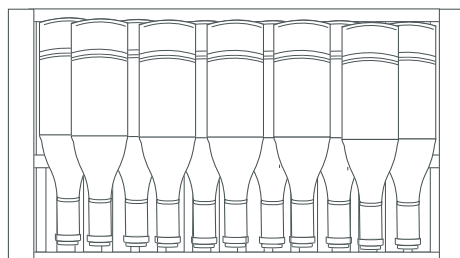


Fig. 4

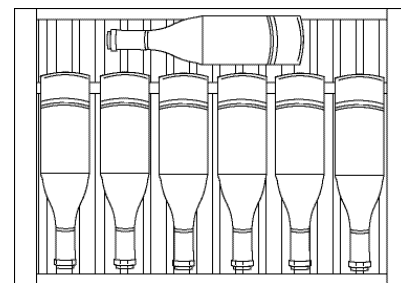


Fig. 5

INSTRUCTIONS D'ÉTAGÈRE

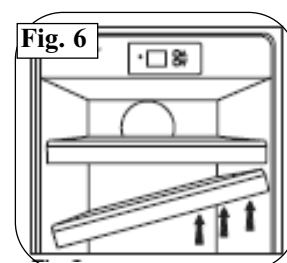
IMPORTANT ! Ne couvrez toute partie des étagères de papier d'aluminium ou d'aucun autre matériel qui empêcheront à circulation d'air proportionnée dans le coffret.

Pour enlever une étagère :

Pour enlever une étagère de sa position verrouillée, inclinez l'étagère suivant les indications de Fig. 6 et tirez à l'extérieur.

Pour réinstaller une étagère :

Pour réinstaller, assurez que l'étagère se repose solidement sur les supports et poussez l'intérieur d'étagère jusqu'à ce qu'il ferme à clef en place.



SOINS ET ENTRETIEN

CONSEILS UTILS

Après nettoyage, laissez la porte de la machine ouverte durant quelques minutes pour aérer et assécher l'intérieur de l'armoire.

NOTE: Avant de nettoyer cet appareil, assurez-vous que l'alimentation est coupée.

COMMENT NETTOYER L'INTÉRIEUR

N'utilisez jamais de nettoyant industriels sur aucune partie de votre refroidisseur de vin

Parois, Plancher, Intérieur de la Visière et Tablettes:

Certaines éclaboussures d'eau et poussières peuvent être essuyées avec des essuie-tout. D'autres taches peuvent nécessiter un linge humide.

COMMENT NETTOYER L'EXTÉRIEUR

N'utilisez pas de produits nettoyants comprenant de l'ammoniaque ou de l'alcool sur l'appareil.

L'ammoniaque ou l'alcool peuvent altérer le fini de l'appareil.

Extérieur de l'armoire:

Il est important de garder la région de scellement de la porte sur l'armoire propre. Nettoyez avec un tissu savonneux, rincez le région et puis séchez

Surface du Porte:

N'utilisez que des détergents doux, non abrasifs, appliqués avec une éponge propre ou un chiffon doux. Rincez abondamment.

Panneau de commande et Porte:

Essuyez avec un chiffon humide. Asséchez bien avec un chiffon sec. N'utilisez pas de nettoyants en aérosol, de grandes quantités d'eau et de savon, d'abrasifs ou d'objets acérés sur le panneau, ceci pourrait l'endommager. Certains essuie-tout peuvent aussi égratigner le panneau de commande et verre de la porte.

DÉPANNAGE

AVANT DE PLACER UN APPEL DE SERVICE

PROBLÈME	CAUSE PROBABLE	SOLUTION
1) L'appareil n'es pas alimenté.	<ul style="list-style-type: none"> Un fusible de votre panneau de distribution peut être grillé ou le disjoncteur déclenché. Surtension. La fiche n'est pas complètement insérée dans la prise murale. 	<ul style="list-style-type: none"> Remplacez le fusible ou réarmez le disjoncteur. Débranchez la refroidisseur de Vin et attendez quelques secondes, et puis rebranchez la. Assurez-vous que la fiche à 3 branches de l'appareil est complètement insérée dans la prise.
2) La température dans la cabinet est trop haute.	<ul style="list-style-type: none"> Réglage du température. Le porte n'est pas fermées correctement ou ouverte trop souvent. Lumières Intérieures. L'échappement est obstrué. Stocké une grande quantité de bouteilles chaudes dans le cabinet. 	<ul style="list-style-type: none"> Vérifiez que la commande est réglée le cabinet est trop haute. Assurez-vous que la porte est fermées et que le joint étanche est contre le coffret. Ouvrez la porte seulement quand nécessaire. Les lumières intérieures sont pour éclairage provisoire seulement. Ils ne sont pas censés d'être laissées allumées pendant des périodes prolongées Vérifiez qu'il n'y a rien qui bloque l'échappement sur le devant. Limitez la quantité de bouteilles chaudes qui sont stockées dans le cabinet en même temps. Essayez d'introduire progressivement des charge chaudes si possible.
3) L'eau de condensation sur le coffret et/ou les portes.	<ul style="list-style-type: none"> Niveau de humidité élevé dans la maison. La porte n'est pas fermées correctement ou son ouverte trop souvent. 	<ul style="list-style-type: none"> La formation de l'eau de condensation s'arrêtera quand le niveau d'humidité retours à normale. Assurez-vous que la porte est fermée et que le joint étanche est contre le coffret. Ouvrez la porte seulement quand nécessaire.

Si aucune de ce qui précède ne rectifie la situation svp entrez en contact avec notre département de soin de client à 1-800-26-Danby® (1-800-263-2629)

GARANTIE LIMITÉE SUR APPAREIL ÉLECTROMÉNAGER À DOMICILE

Cet appareil de qualité est garanti exempt de tout vice de matière première et de fabrication, s'il est utilisé dans les conditions normales recommandées par le fabricant.

Cette garantie n'est offerte qu'à l'acheteur initial de l'appareil vendu par Danby Products Limited (Canada) ou Danby Products Inc. (E.- U. d'A) (ci-après "Danby") ou par l'un des ses distributeurs agréés et elle ne peut être transférée.

CONDITIONS

Les pièces en plastique sont garanties pour trente (30) jours seulement à partir de la date de l'achat, sans aucune prolongation prévue.

Première 18 mois Pendant les dix huit (18) mois, toutes pièces fonctionnelles de ce produit s'avèrent défectueuses, seront réparées ou remplacées, selon le choix du garant, sans frais à l'acheteur INITIAL.

Pour bénéficiaire du Service Le client sera responsable pour le transport et tous les frais d'expédition de tout appareil exigeant le service au dépôt de service autorisé le plus proche. S'adresser au détaillant qui a vendu l'appareil, ou à la station technique agréée de service la plus proche, où les réparations doivent être effectuées par un technicien qualifié. Si les réparations sont effectuées par quiconque autre que la station de service agréée ou à des fins commerciales, toutes les obligations de Danby en vertu de cette garantie seront annulées.

Limites de l'entretien à domicile Si l'appareil est installé à plus de 100 kilomètres (62 milles) du centre de service le plus proche, il doit être livré à l'atelier de réparation autorisé par Danby le plus proche, car l'entretien doit uniquement être réalisé par un technicien qualifié et certifié pour effectuer un entretien couvert par la garantie de Danby. Les frais de transport entre votre domicile et le lieu de l'entretien ne sont pas couverts par la présente garantie et doivent être acquittés par l'acheteur.

Cette garantie indique en aucun temps la responsabilité de Danby de l'avarie ou dommage de la vin ou autre contenu, soit par les vices de l'appareil, ou soit par l'utilisation convenable ou inexacte.

EXCLUSIONS

En vertu de la présente, il n'existe aucune autre garantie, condition ou représentation, qu'elle soit exprimée ou tacite, de façon manifeste ou intentionnelle, par Danby ou ses distributeurs agréés. De même, sont exclues toutes les autres garanties, conditions ou représentations, y compris les garanties, conditions ou représentations en vertu de toute loi régissant la vente de produits ou de toute autre législation ou règlement semblables.

En vertu de la présente, Danby ne peut être tenue responsable en cas de blessures corporelles ou des dégâts matériels, y compris à l'appareil, quelle qu'en soit les causes. Danby ne peut pas être tenue responsable des dommages indirects dus au fonctionnement défectueux de l'appareil. En achetant l'appareil, l'acheteur accepte de mettre à couvert et de dégager Danby de toute responsabilité en cas de réclamation pour toute blessure corporelle ou tout dégât matériel causé par cet appareil.

CONDITIONS GÉNÉRALES

La garantie ou assurance ci-dessus ne s'applique pas si les dégâts ou réparations sont dus aux cas suivants:

- 1) Panne de courant.
- 2) Dommages subis pendant le transport ou le déplacement de l'appareil.
- 3) Alimentation électrique incorrecte (tension faible, câblage défectueux, fusibles incorrects).
- 4) Accident, modification, emploi abusif ou incorrect de l'appareil tel qu'une circulation d'air inadéquate dans la pièce ou des conditions de fonctionnement anormales (température extrêmement élevée ou basse).
- 5) Utilisation dans un but commercial ou industriel (à savoir, si l'appareil n'est pas installé dans un domicile résidentiel).
- 6) Incendie, dommages causés par l'eau, vol, guerre, émeute, hostilités, cas de force majeure (ouragan, inondation, etc.).
- 7) Visites d'un technicien pour expliquer le fonctionnement de l'appareil au propriétaire.
- 8) Installation inappropriée (par exemple, encastrement d'un appareil autoportant, ou utilisation extérieure d'un appareil non conçu à cet effet).

Une preuve d'achat doit être présentée pour toute demande de réparation sous garantie. Prière de garder le reçu. Pour faire honorer la garantie, présenter ce document à la station technique agréée ou s'adresser à:

Service sous-garantie
Service au domicile

Danby Products Limited
PO Box 1778, Guelph, Ontario, Canada N1H 6Z9
Telephone: (519) 837-0920 FAX: (519) 837-0449

1-800-263-2629

Danby Products Inc.
PO Box 669, Findlay, Ohio, U.S.A. 45840
Telephone: (419) 425-8627 FAX: (419) 425-8629

BIENVENIDO

Bienvenido a la familia Danby. Estamos orgullosos de nuestros productos de alta calidad y creemos en el servicio confiable. Usted lo podrá apreciar en este manual fácil de usar, y lo escuchará en las voces amistosas de nuestro departamento de servicio al consumidor.

1-800-26-Danby®
(1-800-263-2629)

Sobre todo, usted apreciará estas ventajas cada vez que use su heladera para vinos. Eso es importante, ya que su nuevo artefacto formará parte de su familia por mucho tiempo.

ANTES DE USAR SU HELADERA PARA VINOS

Escriba aquí el modelo y el número de serie. Se encuentran en una etiqueta en la parte de atrás de la Heladera para Vinos. Abroche su recibo en la parte de atrás de este manual. Lo necesitará para obtener servicio de garantía.

Número de Modelo: _____

Número de Serie: _____

Fecha de compra: _____

¿NECESITA AYUDA?

Antes de solicitar servicio, hay algunas cosas que puede hacer para ayudarnos a servirle mejor...

Lea este manual

Contiene instrucciones que lo ayudarán a mantener correctamente su heladera para vinos. Si usted recibe un artefacto dañado, llame inmediatamente al distribuidor (o constructor) que se lo vendió.

Ahorre tiempo y dinero

Lea la sección de Diagnóstico de Problemas antes de llamar. Esta sección le ayudará a resolver problemas comunes que pudieran ocurrir.

Si necesita asistencia, no se preocupe y llámenos.

Tel: 1-800-26-Danby®
(1-800-263-2629)

INSTRUCCIONES IMPORTANTES DE SEGURIDAD

LEA TODAS LAS INSTRUCCIONES DE SEGURIDAD ANTES DE UTILIZARLA



¡ATENCIÓN ! PELIGRO, LOS NIÑOS PODRÍAN QUEDAR ATRAPADOS!

Una heladera para vinos vacía es una atracción muy peligrosa para los niños. Remueva la junta, las trabas, la manija y/o las puertas de los artefactos que no se usen o se hayan desechado, otome alguna otra medida para garantizar que sean inofensivos.

¡NO ESPERE, HAGA ESTO AHORA MISMO!
Para reducir el riesgo de incendio, quemaduras, descargas eléctricas o daños personales al usar su artefacto, siga las precauciones básicas incluidas en las secciones siguientes.

RECOMENDACIONES DE SEGURIDAD

Este artefacto eléctrico es para uso domiciliario solamente. No intente usar o guardar este artefacto en el exterior.

- Este artefacto debe ser conectado a tierra. Conéctelo únicamente aun tomacorriente con conexión a tierra.
- No use este artefacto si tiene el cable de alimentación o el enchufe dañado, si no funciona correctamente o si se ha dañado o caído.
- No modifique el cable de alimentación que viene con el artefacto.
- Mantenga el cable alejado de superficies calientes.
- No sumerja el cable de alimentación, el enchufe o el artefacto en agua.
- No use este producto cerca del agua, por ejemplo en un sótano húmedo, cerca de una piscina o cerca de una pileta.
- No use productos químicos corrosivos o vapores en este artefacto.
- Utilice este artefacto únicamente para los fines indicados en este manual.
- No almacene alimentos perecederos tal como (pero sin limitación) carnes y productos lácteos en su heladera para vinos.
- Guarde el vino en botellas cerradas únicamente.
- No tape u obstruya ninguna abertura de este artefacto.
- Este artefacto debe ser reparado únicamente por personal calificado. Llame al centro de reparaciones más cercano para que sea examinado, reparado o ajustado.

REQUISITOS ELÉCTRICOS



¡ATENCIÓN! La conexión inadecuada del cable de tierra puede causar riesgo de descarga eléctrica.

- Este artefacto debe ser conectado a tierra. En caso de un corto circuito eléctrico, la conexión a tierra reduce el riesgo de una descarga eléctrica proporcionando un cable de retorno para la corriente eléctrica.
- Este artefacto viene con un cable de alimentación que tiene un conductor y pata del enchufe de tierra. Este cable debe enchufarse en un tomacorriente debidamente instalado y con conexión a tierra.
- Si no entiende claramente las instrucciones de conexión a tierra, o si no está seguro de que su tomacorriente esté correctamente conectado a tierra, llame a un electricista calificado.
- Si el tomacorriente es uno común de 2 patas, es su responsabilidad personal y obligación el reemplazarlo por uno de 3 patas correctamente conectado a tierra.
- Para obtener el mejor resultado, enchufe este artefacto en su propio tomacorriente para evitar que las luces titilen, quemar un fusible o disparar una llave térmica.
- Nunca, bajo ninguna circunstancia, corte o remueva la tercera pata (tierra) del enchufe.
- No use un enchufe adaptador con este artefacto.
- No use un cable de prolongación con este artefacto. Si el cable de alimentación es demasiado corto, haga que un electricista calificado o un técnico de reparaciones instale otro tomacorriente más cerca del artefacto.

¡CONSERVE ESTAS INSTRUCCIONES!

INSTRUCCIONES DE INSTALACIÓN

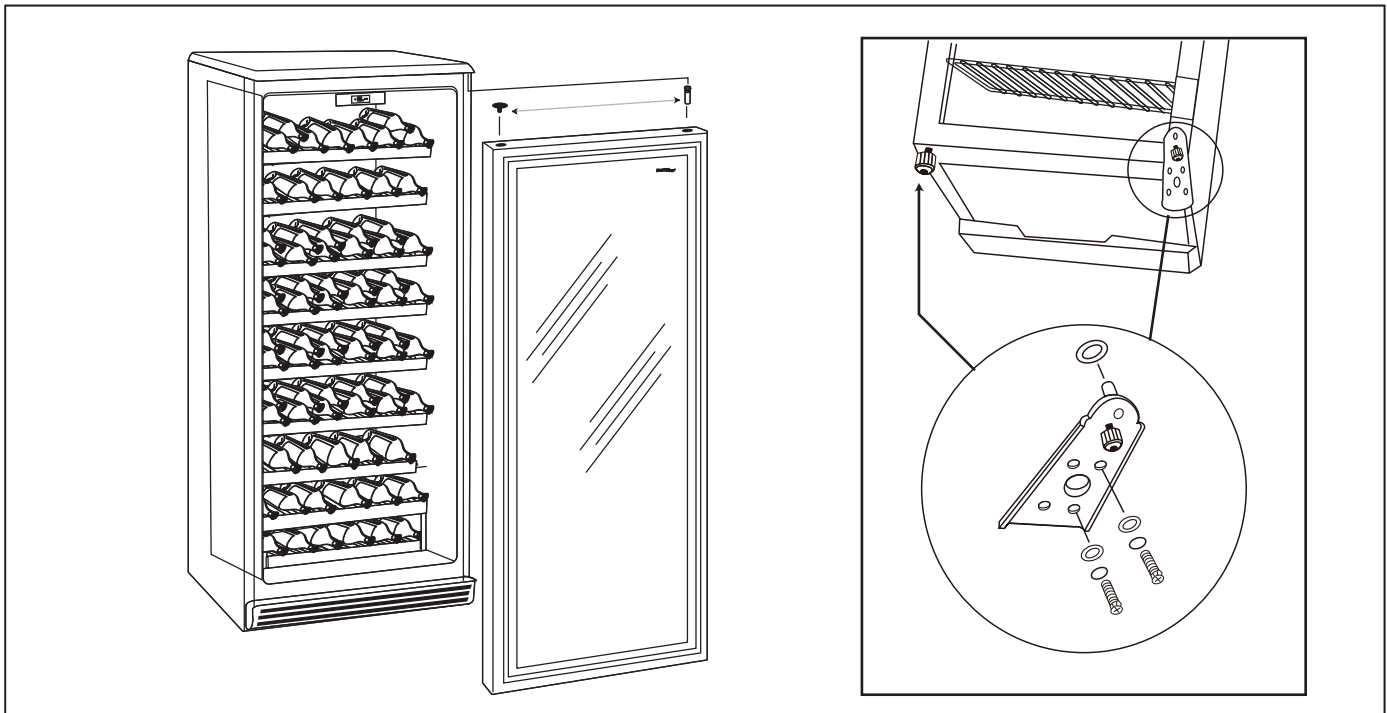
PREPARACIÓN

REQUISITOS ELÉCTRICOS: El artefacto debe conectarse a un circuito eléctrico independiente y correctamente conectado a tierra, protegido por una llave térmica de 15-20 amperes o un fusible lento.

- No le recomendamos instalar la heladera para vinos en una esquina (por ejemplo, directamente contra la pared). Esto le permitirá que las puertas puedan abrirse con un ángulo mayor a 45°. La apertura limitada de la puerta evitará que los estantes se deslicen hacia fuera, y podría llegar a dañar los sellos de la puerta.

INVERSIÓN DE APERTURA DE PUERTA

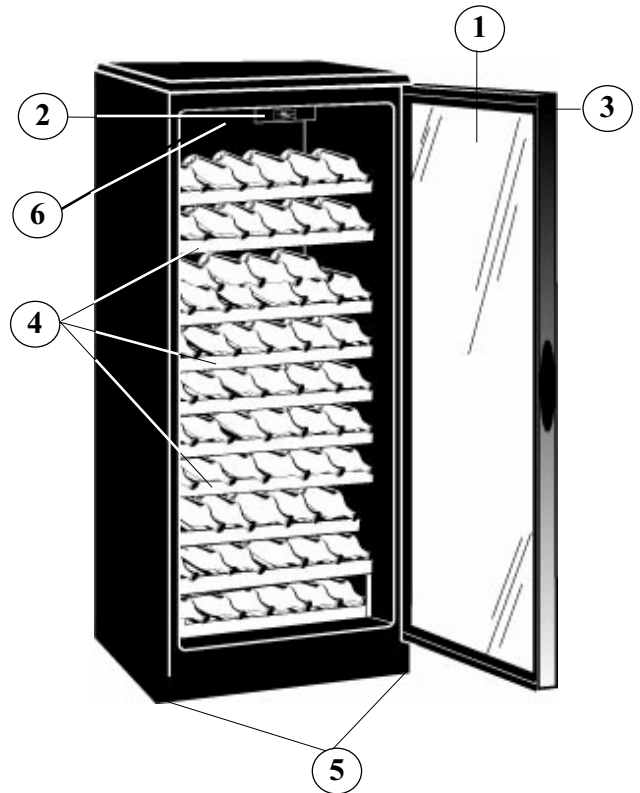
NOTA: Desenchufe la unidad del tomacorriente (si está conectada).



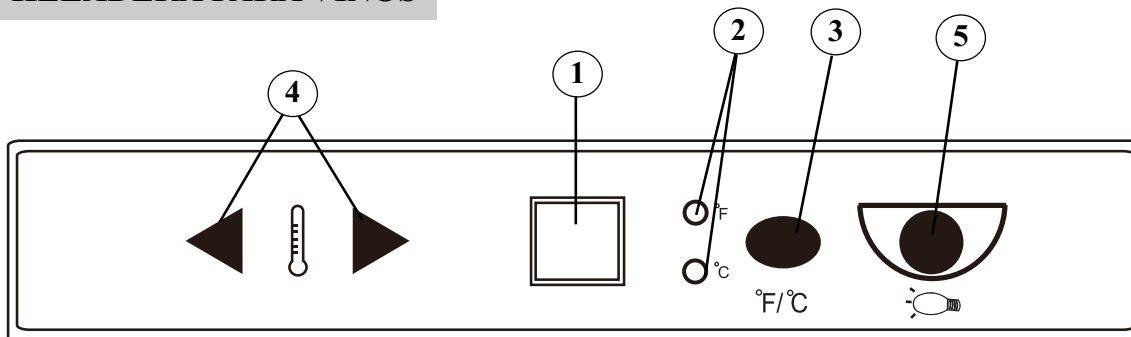
INSTRUCCIONES DE OPERACIÓN

CARACTERÍSTICAS DE SU HELADERA PARA VINOS

- 1) Puerta de Vidrio Templado:** Permite ver fácilmente el interior. Polarizadas para proteger contra la radiación UV.
- 2) Controles Electrónicos:** Para regular la temperatura de la heladera para vinos.
- 3) Juntas Magnéticas de la Puerta:** Las juntas ajustadas mantienen en todo el poder de enfriamiento y los niveles de humedad.
- 4) Estantes de madera**
- 5) Patas Niveladoras**
- 6) Luces Interiores:** Se encienden cuando se abre cualquiera de la puerta.



CONTROLES DE SU HELADERA PARA VINOS



- 1) Pantalla Electrónica del Seleccionada Temperatura:** Muestra la temperatura seleccionada.
- 2) °C / °F:** La luz indicadora adyacente le indica la unidad correcta de temperatura.
- 3) °C / °F Botón**

4) Temp. Botón UP (Arriba): Se usa para aumentar la temperatura en incrementos de 1 grado (más caliente).

Temp. Botón DOWN (Abajo): Se usa para disminuir la temperatura en incrementos de 1 grado (más frío).

5) Luces interiores botón

INSTRUCCIONES DE OPERACIÓN

AJUSTE DE TEMPERATURA

¡IMPORTANTE! En caso de falla de energía eléctrica, espere de 3 a 5 minutos antes de volverla a encender.

- Para cambiar la indicación entre Fahrenheit (°F) y Celsius (°C), presione los botones “Set Upper” y “Set Lower” simultáneamente durante unos cinco (5) segundos.
- La temperatura de ambos compartimientos puede ajustarse des de 39°F (4°C) hasta 64°F (18°C) para satisfacer sus requerimientos específicos de la heladera para vinos. Cada vez que presione los botones de “Set Upper” o “Set Lower” podrá ajustar

la temperatura en incrementos de 1 grado dentro del rango mencionado anteriormente.

- Para ver la temperatura “elegida” (en cualquier momento) mantenga oprimido el botón “Set Upper” o “Set Lower”. La temperatura “elegida” titilará en la pantalla LED durante alrededor de 5 segundos y luego la pantalla volverá a mostrar la temperatura del inferior del gabinete.

ALMACENAMIENTO DE VINOS

La capacidad máxima* de la DWC106A1BPDD es de 75 botellas de vino (de 750ml). *Cuando se guarden de acuerdo con las instrucciones

Para acomodar 75 botellas deberá abastecer la heladera para vinos de la siguiente manera:

- El primer estante tiene capacidad para 6 botellas dispuestas tal como se indica en la Fig. 3, con espacio para apilar una botella adicional a ambos lados de los controles, para un total de 8 botellas en el primer estante.
- El segundo estante tiene capacidad para 6 botellas dispuestas como se muestra en la Fig. 3.
- El tercer estante puede almacenar hasta 11 botellas apiladas como se muestra en la Fig. 4; 6 botellas a lo largo del estante y 5 botellas apiladas sobre las primeras de forma intercalada.

- Los estantes cuarto y quinto tienen capacidad para 6 botellas dispuestas tal como se muestra en la Fig. 3, con una botella colocada en posición horizontal detrás, como en la Fig. 5.

- En los estantes del sexto al noveno se pueden almacenar seis botellas dispuestas como se muestra en la Fig. 3

- La parte inferior de la bodega contiene un estante de madera de dos niveles con capacidad para 6 botellas por nivel, dispuestas tal como se muestra en la Fig. 3; esto permite almacenar un total de 75 botellas de vino (750 ml).

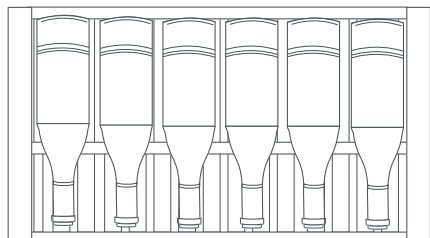


Fig. 3

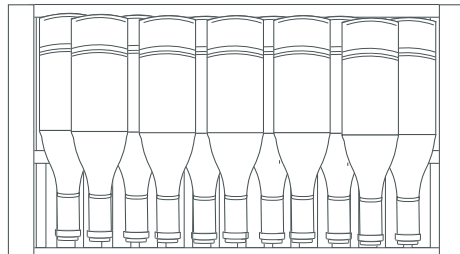


Fig. 4

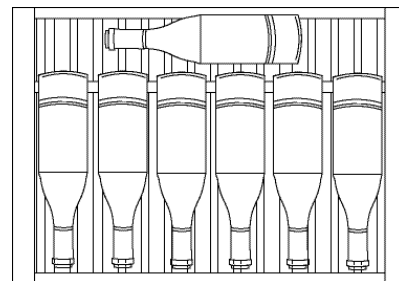


Fig. 5

INSTRUCCIONES DE LOS ESTANTES

¡IMPORTANTE! No recubra los estantes con papel de aluminio ni ningún otro material que evite la adecuada circulación de aire dentro del gabinete.

Para quitar un estante de su posición bloqueada, incline el estante según las indicaciones de Fig. 6 y tire hacia fuera.

Para reinstalar, asegure que el estante se está reclinando con seguridad sobre los soportes y empuje el interior del estante hasta que se traben en lugar.

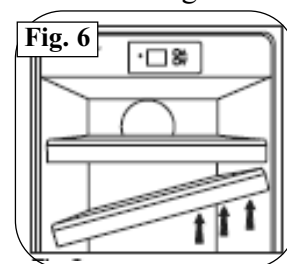


Fig. 6

CUIDADO Y LIMPIEZA

CONSEJOS ÚTILES

Deje la puerta de la heladera para vinos abierta por unos minutos luego de limpiar la paraquese ventile y para secar el interior del gabinete.

NOTA: Verifique que la unidad esté apagada antes de limpiar cualquiera desus partes.

CÓMO LIMPIAR EL INTERIOR

Nunca use un limpiador comercial o abrasivo u objetos filosos en ninguna parte de la heladera para vinos.

Paredes, Piso, Interior de las Puertas y Estantes:

Algunos sedimentos del agua y tierra pueden quitarse con una toalla seca de papel, otros pueden necesitar un trapo húmedo.

CÓMO LIMPIAR EL EXTERIOR

No use limpiadores que tengan amoníaco o alcohol en la heladera para vinos. El amoníaco o el alcohol pueden dañarla apariencia del artefacto.

Cubierta Exterior:

Es importante mantener limpia la zona donde la puerta cierra contra el gabinete. Limpieesa área con trapo en jabonado. Enjuáguela y séquela completamente.

Superficie de la Puerta:

Use únicamente detergentes livianos, no abrasivos, aplicados con una esponja limpioa un trapo suave. Enjuáguelo bien.

Panel de Control y Puerta:

Repáselo con un trapo húmedo y séquelo completamente. No use limpiadores en aerosol, demasiada agua y jabón, objetos abrasivos o filosos en el panel de control y a que podría dañarlo. Algunas toallas de papel también podrían rayar el panel de control.

DIAGNÓSTICO DE PROBLEMAS

ANTES DE LLAMAR POR ASISTENCIA

PROBLEMA	POSIBLE CAUSA	SOLUCION SUGERE
1) No Enciende.	<ul style="list-style-type: none"> • Puede tener un fusible quemado o una llave térmica abierta en su instalación eléctrica. • Sobrevoltaje. • El enchufe no está completamente insertado en el tomacorriente 	<ul style="list-style-type: none"> • Reemplace el fusibleo encienda la llave general. • Desenchufe el equipo, espere unos segundos y vuelva a enchufarlo. • Verifique que el enchufe de 3 patas del equipo esté completamente insertado en el tomacorriente.
2) Temperatura del Gabinete demasiado alta	<ul style="list-style-type: none"> • Ajuste la Temperatura. • La puerta no está cerrada correctamente o se han abierto demasiado. • Luces interiores encendidas. • Escape de aire obstruido. • Se han agregado recientemente muchas botellas tibias al gabinete 	<ul style="list-style-type: none"> • Verifique el ajuste de temperatura. Ajustelo si es necesario. • Verifique que las puertas estén completamente cerradas y que la juntas estén cerrando bien contra el gabinete. Abra las puerta sólo lo necesario y por poco tiempo. • Les luces interiores son para iluminación temporaria del gabinete. No están diseñadas para estar encendidas por mucho tiempo. • Verifique que no haya nada bloqueando la salida de aire del frente. • Limite la cantidad de botellas tibias que agregue en el gabinete al mismo tiempo. Intente fraccionar el agregado de botellas todo lo posible.
3) Condensación en el gabinete y/o las puertas	<ul style="list-style-type: none"> • Alta humedad en el ambiente. 	<ul style="list-style-type: none"> • Verifique que las puerta estén completamente cerradas y que la juntas estén cerrando bien contra el gabinete. Abra la puerta sólo lo necesario y por poco tiempo.

Si ninguno de los casos anteriores soluciona su problema, llame a nuestro departamento de servicio al cliente al 1-800-26-Danby® (1-800-263-2629)

GARANTÍA LIMITADA PARA ELECTRODOMÉSTICO

Este producto de calidad está garantizado contra defectos de fabricación, incluyendo partes y mano de obra, siempre y cuando la unidad se utilice bajo las condiciones normales de funcionamiento para las que fue diseñado.

Esta garantía está solamente disponible para la persona que haya comprado originalmente esta unidad directamente de Danby Products Limited (Canada) o Danby Products Inc. (U.S.A.) (en adelante "Danby") o uno de sus distribuidores autorizados, y no es transferible.

CONDICIONES DE LA GARANTÍA

Las piezas plásticas, se autorizan por treinta (30) días solamente a partir de la fecha de la compra, sin las extensiones proporcionadas.

Primeros 18 Meses Durante los primeros 18 meses, cualquier parte en buen estado de este producto que resulte defectuosa, incluyendo cualquier sistema sellado, será reparado o reemplazado, a opción del fabricante, sin cargo para el comprador ORIGINAL.

Para obtener Servicio Danby se reserva el derecho de limitar la cobertura de "Servicio en Domicilio" sujeto a la proximidad de un Taller de Servicio Autorizado. Para todo artefacto que requiera servicio fuera del área limitada de "Servicio en Domicilio", el cliente será responsable por transportar dicho artefacto hasta el Taller de Servicio Autorizado más cercano. Consulte "Límites del servicio técnico a domicilio", a continuación. Comuníquese con el distribuidor donde haya comprado la unidad, o llame al Taller de Servicio Autorizado más cercano, donde debe ser reparada por un técnico calificado. Si esta unidad es reparada en otro lugar que no sea un Taller de Servicio Autorizado, o si la unidad se utiliza para aplicaciones comerciales, Danby no se hará responsable de ninguna forma y la garantía será anulada.

Límites del servicio técnico a domicilio Si el electrodoméstico está instalado en un lugar que se encuentra a 100 kilómetros (62 millas) o más del centro de servicios más cercano, se debe llevar la unidad al Centro de servicios Danby autorizado más cercano, ya que dicho servicio sólo puede realizarlo un técnico calificado y certificado por Danby para prestar servicios de garantía. Los cargos por transporte desde y hacia el lugar en que se efectúe el servicio técnico no están cubiertos por esta garantía y son de responsabilidad del comprador.

Nada dentro de esta garantía implica que Danby será responsable por cualquier daño que hayan sufrido los alimentos u otros contenidos de este aparato, ya sea debido a un defecto del aparato, o su uso, adecuado o inadecuado.

EXCLUSIONES

Salvo lo aquí indicado por Danby, no existen otras garantías, condiciones o representaciones, explícitas o implícitas, concretas o intencionales por parte de Danby o sus distribuidores autorizados y todas las demás garantías, condiciones o representaciones, incluyendo cualquier garantía, condiciones o representaciones bajo cualquier Acta de Venta de Productos o legislación o estatuto similar, quedan de esta forma expresamente excluidas. Salvo lo aquí indicado, Danby no serán responsables por ningún daño a personas o bienes, incluyendo la propia unidad, sin importar su causa, o de ningún daño indirecto causado por el desperfecto de la unidad, y al comprar esta unidad, el comprador acepta por la presente, indemnizar y proteger a Danby contra cualquier reclamo por daños a personas o bienes causados por la unidad.

CONDICIONES GENERALES

No se considerará ninguna de estas garantías o seguros cuando el daño o la necesidad de reparación sea el producto de los siguientes casos:

- 1) Falla del suministro eléctrico.
- 2) Daños en tránsito o durante el transporte de la unidad.
- 3) Alimentación incorrecta, como bajo voltaje, instalación eléctrica defectuosa o fusibles inadecuados.
- 4) Accidente, modificación, abuso o uso incorrecto del artefacto, tal como insuficiente ventilación del ambiente o condiciones de operación anormales (temperatura ambiente extremadamente alta o baja).
- 5) Utilización comercial o industrial (v.g., si el electrodoméstico no está instalado en una vivienda particular).
- 6) Incendio, daños por agua, robo, guerra, disturbios, hostilidades, actos de fuerza mayor como huracanes, inundaciones, etc.
- 7) Pedidos de servicio debido a desinformación del usuario.
- 8) Instalación inadecuada (v.g., instalación empotrada de un electrodoméstico diseñado como unidad independiente o uso de un electrodoméstico al aire libre que no esté aprobado para dicho fin).

Para acceder a la garantía se solicitará un comprobante de compra; por lo tanto, guarde su recibo. En caso de necesitar servicio de garantía, presente ese documento al TALLER DE SERVICIO AUTORIZADO.

Servicio de Garantía
Servicio en Domicilio

Danby Products Limited
PO Box 1778, Guelph, Ontario, Canada N1H 6Z9
Telephone: (519) 837-0920 FAX: (519) 837-0449

1-800-263-2629

10/12

Danby Products Inc.
PO Box 669, Findlay, Ohio, U.S.A. 45840
Telephone: (419) 425-8627 FAX: (419) 425-8629

- **WINE COOLER**
- **REFROIDISSEUR À VIN**
- **HELADERA PARA VINOS**

Model • Modèle • Modelo
DWC106A1BPDD

WINE COOLER

The model number can be found on the serial plate located on the back panel of the unit.

All repair parts are available for purchase or special order when you visit your nearest service depot. To request service and/or the location of the service depot nearest you, call the TOLL FREE NUMBER.

When requesting service or ordering parts, always provide the following information:

- **Product Type**
- **Model Number**
- **Part Description**

REFROIDISSEUR À VIN

Le numéro de modèle se trouve sur la plaque signalétique au dos de l'unité.

Vous pouvez vous procurer/commander toute pièce de rechange chez votre dépositaire le plus rapproché. Pour toute demande de service ou pour localiser le dépositaire/centre de service le plus rapproché, composez le NUMÉRO SANS FRAIS.

Pour toute demande de service ou commande de pièces, fournissez toujours l'information suivante :

- **Type de produit**
- **Numéro de modèle**
- **Description de la pièce requise**

HELADERA PARA VINOS

El número de modelo se puede encontrar en la placa serial situada en el panel trasero de la unidad.

Todas las piezas de reparación disponibles para la compra o la orden especial cuando usted visita su depósito más cercano del servicio. Para pedir servicio y/o la localización del depósito del servicio lo más cerca posible usted, llama Danby GRATIS.

Al pedir servicio o pidiendo piezas, proporcione siempre la información siguiente:

- **Tipo de Producto**
- **Número de Modelo**
- **Descripción de la Part**



Danby Products Limited, Guelph, Ontario Canada N1H 6Z9
 Danby Products Inc., Findlay, Ohio USA 45840

Free Manuals Download Website

<http://myh66.com>

<http://usermanuals.us>

<http://www.somanuals.com>

<http://www.4manuals.cc>

<http://www.manual-lib.com>

<http://www.404manual.com>

<http://www.luxmanual.com>

<http://aubethermostatmanual.com>

Golf course search by state

<http://golfingnear.com>

Email search by domain

<http://emailbydomain.com>

Auto manuals search

<http://auto.somanuals.com>

TV manuals search

<http://tv.somanuals.com>