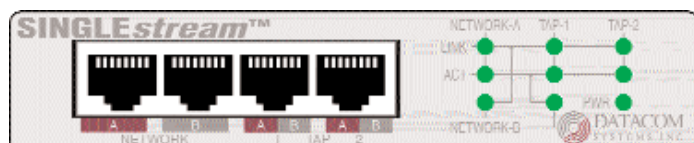


## SPAN and Multi-link

### Aggregators/Regenerators

#### *USERguide*



**SS series SPAN Aggregators/Regenerators**



**VS series SPAN Aggregators/Regenerators**



**VS series Multi-link Aggregators/Regenerators**

## SS series SPAN

### VS series SPAN

### VS series Multi-Link



## ***Copyright***

Copyright © 2004-2006 by Datacom Systems, Inc. All rights reserved. Printed in the United States of America. No part of this publication may be reproduced, stored in a retrieval system, or transmitted, in any form or by any means, electronic, mechanical, photocopying, recording, or otherwise, without the prior written permission of Datacom Systems, Inc. To obtain this permission, write to the attention of the Datacom Systems legal department at 9 Adler Drive, East Syracuse, New York 13057-1290, or call 315-463-9541.

## ***License Agreement***

**Notice To All Users:** By using a Datacom Systems Inc SINGLEstream™ Link Aggregator you agree to the terms set forth. No licenses, express or implied, are granted with respect to the technology described and Datacom Systems Inc retains all rights with respect to the technology described herein. If applicable, you may return the product to the place of purchase for a full refund.

## ***Trademark Attribution***

DS3 ACTIVEtap™, DS3switch™, Empowering Network Professionals™, ETHERNETtap™, FDDIswitch™, FIBERSplitter™, FIBERswitch™, FIBERSWITCH-system™, GIGABITswitch™, INSERTswitch™, INSERTunit™, LANswitch™, MULTINETswitch™, NETspan™, PERMALink™, PROline™, RMON SWITCHING-analyzer™, SINGLEstream™, UNIVERSALswitch™, VERSAstream™, and WAN-switch™ are trademarks of Datacom Systems, Inc. 1<sup>ST</sup> in Switching Solutions®, DATACOMsystems®, LANclipper®, MANAgents®, and MULTiView® are registered trademarks of Datacom Systems, Inc. All other registered and unregistered trademarks are the sole property of their respective owners. All specifications may be changed without notice.

## ***Proprietary Notice***

This document contains proprietary information about the SINGLEstream™ Link Aggregator and is not to be disclosed or used except as authorized by written contract with Datacom Systems, Inc.

## *Compliance Testing*

**CAUTION:** Changes or modifications to this unit not expressly approved by the party responsible for compliance could void the user's authority to operate the equipment.

### **CE** *Certifications*

This equipment has been tested and found to meet the radiated and conducted emission limits for a **Class A** product of **EN 55022** to the **EMC Directive 89/336/EEC** requirements.

This equipment has been tested and found to meet the immunity levels for **Class 1** tested to **level 2** for **EN 6100-4-2**, **level 3** for **EN 61000-4-3**, **level 1** for **EN 61000-4-4**, and **level 3** for **EN 61000-4-5** to the **EN 50082-1** requirements and meets the **Class A** requirements for **EN 61000-3-2** and **EN 61000-3-3**.

This equipment has completed the Product Safety Review and found to meet the **Low Voltage Directive 72/23/EEC (1993)** requirements.

**NOTE:** This equipment has been tested and found to comply with the limits for a **Class A** digital device, pursuant to **Part 15** of the **FCC** Rules. These limits are designed to provide reasonable protection against harmful interference when the equipment is operated in a commercial environment. This equipment generates, uses, and can radiate radio frequency energy and, if not installed and used in accordance with the instruction manual, may cause harmful interference to radio communications. Operation of this equipment in a residential area is likely to cause harmful interference in which case the user will be required to correct the interference at his own expense.



These explanatory labels are included in the information for the user in accordance with the requirements of IEC 60825-1.



## Contents

What Shipped? .....	6
Introduction .....	7
Attributes & Advantages .....	8
SINGLEstream™ SPAN SS-200 Series Aggregators/Regenerators Overview .....	8
SS-200 Features & Benefits .....	9
SS-200 Specifications .....	10
SS-200 Hardware Description .....	11
SS-200 Application & Hardware Installation .....	12
VERSAsstream™ SPAN Series Aggregators/Regenerators Overview .....	14
VERSAsstream™ SPAN Series Features & Benefits .....	15
VERSAsstream™ SPAN Series Specifications .....	16
VERSAsstream™ SPAN Series Hardware Description .....	17
Application & Hardware Installation .....	21
‘Dual-Homed Server Application .....	21
Full Duplex aggregated Application .....	22
Primary/Redundant Router Application .....	23
VERSAsstream™ Multi-link Series Aggregators/Regenerators Overview .....	25
VERSAsstream™ Multi-link Series Features & Benefits .....	26
VERSAsstream™ Multi-link Series Specifications .....	27
VERSAsstream™ Multi-link Series Hardware Description .....	28
Analyzing/Monitoring Gigabit EtherChannel .....	31
Application & Hardware Installation .....	32
Gigabit EtherChannel Application .....	32
VS-1028 with Taps Application .....	34
VS-1028 SPAN and In-line Application .....	36
VS-1610 kit Application .....	38
Customer Service, World Wide Web .....	41
Warranty, Limits of Liability .....	41

## What Shipped ?

### ***SS series SPAN Aggregators/Regenerators***

- 1 — SS-(200, 201, 202 or 203)
- 2 — Switching AC Adapters
- 2 — AC Power Cords
- 1 — Warranty Card
- 1 — QUICK*install* Guide
- 1 — USER*guide*

### ***VS series SPAN Aggregators/Regenerators***

- 1 — VS-(1022BT-BT, 1062BT, 1031BT, 1031BT-02, 1082, 1082LX-BT, 1082SX-BT, 1082SX-SX, 1041SX-SX or 1022SX-SX)
- 2 — Switching AC Adapters
- 2 — AC Power Cords
- 1 — Warranty Card
- 1 — QUICK*install* Guide
- 1 — USER*guide*

### ***VS series Multi-link Aggregators/Regenerators***

- 1 — VS-(1026BT-BT, 1028, 1028SX, 1046, 1046SX, 1412 kit or 1610 kit)
- 2 — Switching AC Adapters
- 2 — AC Power Cords
- 1 — Warranty Card
- 1 — QUICK*install* Guide
- 1 — USER*guide*

## ***Introduction***

The SPAN and Multi-link Aggregator/Regenerators can combine data from multiple Ethernet network segments into one stream of data. A single device, such as an intrusion detection system, protocol analyzer, or network probe can receive the aggregated data with just one network interface card (NIC).

The SPAN and Multi-link Aggregator/Regenerators also have additional monitor ports, so multiple devices can receive the same data stream. This allows different monitoring and analysis devices to collect data from the same network segments at the same time, eliminating contention for access to the network.

### ***Monitor more network traffic with fewer tools***

Network administrators are no longer required to have a separate device for each network segment to achieve simultaneous 24x7 monitoring of multiple links, nor do they need to "switch" to a different segment each time they need to collect data from it. The SPAN and Multi-link Aggregator/Regenerators simultaneously collect data from multiple network segments and aggregates all the data before sending it to the connected monitoring and analysis devices, expanding network visibility and reducing the number of tools needed on the network. Fewer tools means lower equipment and licensing costs. And, because the SPAN and Multi-link Aggregator/Regenerators aggregate all the data before sending it to the connected network device, you can always view the entire conversation even in asymmetric routing, redundant, and load-balanced environments.

### ***Enhanced security***

The SPAN and Multi-link Aggregator/Regenerators enhances your security because it allows you to see 100% of your network traffic. Total visibility means no missed packets and no chance of missing a network attack due to SPAN/Mirror port over-subscription, traffic overflow, or many of the problems associated with traditional monitoring methods.

### ***Improved problem resolution time***

Aggregation offers a complete view of the traffic. Instead of collecting and manually assembling trace or log files from separate tools on separate network segments, the SPAN and Multi-link Aggregator/Regenerators can easily let security and analysis tools collect all the data they need in a single file. In security applications, events and false positives are recorded fewer times. In all applications, data can be analyzed faster than ever, which increases uptime and saves money.

## *Attributes & Advantages*

- Connect any device (protocol analyzers, probes, intrusion detection system, more) for permanent simultaneous monitoring of multiple full-duplex links — eliminates the need for network connectors to be disconnected and connected each time a segment needs to be monitored.
- Multipoint analysis enables you to seamlessly analyze a packet at multiple points in your network with one tool - know exactly what is happening to data as it moves through your network.
- View all the data from multiple network segments - allows you to monitor and analyze traffic from asymmetric routing paths, load-balanced applications, and redundant environments.
- Two monitor ports (additional-port models available) allow two devices to simultaneously monitor the same links, providing extended security and analysis options, while eliminating contention for network access.
- Simple plug-and-play solution -requires no additional configuration or configuration of external monitoring devices.
- Save money on recurring licensing fees and maximize your ROI by deploying fewer network devices.
- Redundant power supply insures seamless monitoring even if the main power source is unavailable.
- Easy to install and 1 U" space saving design.
- Free Technical Support throughout the lifetime of the product.
- 2-year limited manufacturers warranty on hardware.
- Datacom Customer Service personnel are available Monday through Friday from 8:30 AM to 5:30 PM EST. Support is available via phone, fax, e-mail, or website.

## *SINGLEstream™ SS-200 Series Overview —*

Datacom Systems' SINGLE *stream*™ series SPAN Aggregator/Regenerator provides a superior solution for 24x7 monitoring of full-duplex Ethernet links.

While traditional Ethernet taps might enable full-duplex monitoring of all traffic on a network link, they transmit the data to the monitoring device (e.g. analyzer, IDS, probe) in two separate half-duplex streams. Not only does this require the monitoring device to have two network interface cards (NIC), it also requires that the device be capable of combining and processing both streams of data in order to monitor both sides of the conversation. Not all monitoring devices have that capability.

---

## **SPAN and Multi-Link Aggregators/Regenerators • USERguide**



The SINGLE *stream*<sup>™</sup> series SPAN Aggregator/Regenerator faultlessly combines the two data streams, allowing any connected monitoring device to receive a full-duplex stream of data with one NIC.

Additionally, the SINGLE *stream*<sup>™</sup> series SPAN Aggregator/Regenerator provides a unique feature to help manage network resources - a second monitor port. With an extra monitor port, two devices (such as an analyzer and an intrusion detection device) can receive the same full-duplex transmission, so there will never be contention for access to the network link.

Although ideal for placement in networks where utilization is consistently under 50% on each side, the SINGLE *stream*<sup>™</sup> series SPAN Aggregator/Regenerator can help prevent data overload and dropped packets due to traffic "bursts" - sudden, temporary increases in bandwidth utilization. A built-in memory buffer can manage overflows in data transmission and can allow seamless continuity of full-duplex monitoring.

Just like all of Datacom Systems' tap products, the SINGLE *stream*<sup>™</sup> series SPAN Aggregator/Regenerator is completely non-intrusive. The SINGLE *stream*<sup>™</sup> series SPAN Aggregator/Regenerator redundant power supply design has been thoroughly tested. Even if power is lost to the tap, network traffic will continue to flow uninterrupted.

## ***SS-200 Features & Benefits***

- Simple plug-and-play solution – requires no additional configuration of external monitoring devices.
- Connect any protocol analyzers, probes, intrusion detection systems and such for permanent In-Line monitoring of full-duplex links — eliminates the need for network connectors to be disconnected and connected each time a segment needs to be monitored.
- Proven industry leading, non-intrusive, fault-tolerant – will not interfere with data.
- Operates at 10 Mbps or 100 Mbps and supports full-duplex and half-duplex auto-negotiation.
- Two monitor ports allow two devices to simultaneously monitor the same link, providing extended security and analysis options, while eliminating contention for network access.
- Memory buffer manages traffic burst exceeding 100% of a single NIC utilization preventing data overload, dropped packets, and maintains continuity of full-duplex monitoring.
- Redundant power assures uninterrupted monitoring by eliminating power single point of failure — seamless monitoring even if the main power source is unavailable.
- Easy to install – optional rack mount available in two models, either 3 unit rack mount chassis (RMC-3) 1U high or 14 unit rack mount chassis (RMC-14) 4U high.

---

## **SPAN and Multi-Link Aggregators/Regenerators • USERguide**

## SS-200 Specifications

SINGLEstream™	NETWORK PORT SPEED Mb	MONITOR PORT SPEED Mb	TCP Reset	Optional Rack Mount
SS-200	2(10/100BT)	2(10/100BT)	NO	RMC-3
SS-201	2(100BT)	2(100BT)	NO	RMC-3
SS-202	2(10/100BT)	2(10/100BT)	YES	RMC-3
SS-203	2(100BT)	2(100BT)	YES	RMC-3

Feature	Specification
Channel	Two SPAN
Cable Type	CAT 5E
Port Connectivity: NETWORK A NETWORK B TAP 1 A/B TAP 2 A/B	RJ45 RJ45 RJ45 RJ45
Distance Limit	100 meter maximum length between network end-points. Tap, typically 1 meter.
Power Requirements	Two external power supplies 5 VDC, 1 A
Operating Temperature	0° to 40° C (32° to 104° F)
Storage Temperature	-30° to 65° C (-22° to 149° F)
Humidity	Less than 95° C non-condensing
Dimensions	1.10" (H) x 5.75" (W) x 5.75" (D) (includes RMC-3 panel bracket) 28 mm (H) x 146 mm (W) x 146 mm (D)
Weight	Unit - 12 ounces; Shipping - 2 pounds

**SS-200 Hardware Description** — Figure 1 illustrates the SS-200 series SPAN Aggregator/Regenerator front panel. This is the location for all cable connections and status LEDs.

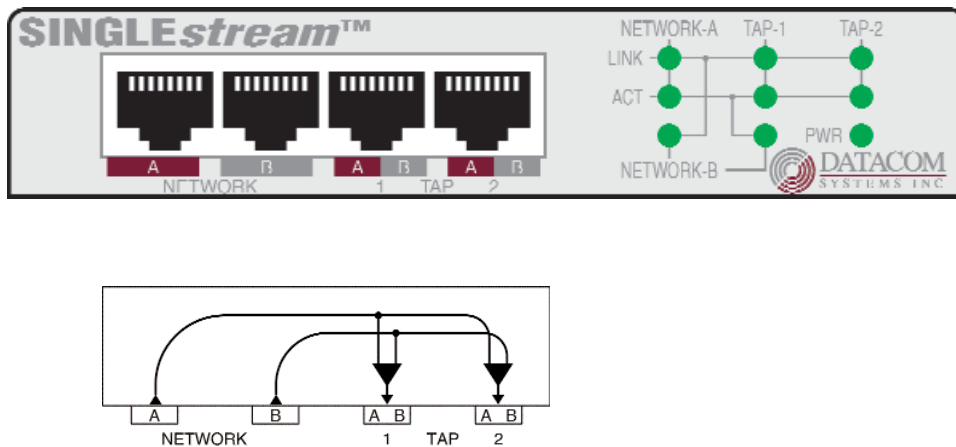


Figure 1 - SS-200 Front Panel and functional diagram

An explanation of each front panel legend follows:

**NETWORK A, B:** These ports are RJ45 connectors used for network SPAN connection.

**TAP 1 A/B and 2 A/B:** These RJ45 connector ports are cabled to the NIC **MONITOR** card **Port** RJ45 connectors of each network monitoring tool.

**LINK:** The **NETWORK-A LINK** LED illuminates indicating link has been established between the NETWORK A connector and NETWORK A device. The **NETWORK-B LINK** LED illuminates indicating link has been established between the NETWORK B connector and NETWORK B device. The **TAP 1 LINK** LED illuminates indicating link has been established between the TAP 1 connector and monitoring device NIC (network interface card.) The **TAP 2 LINK** LED illuminates indicating link has been established between the TAP 2 connector and monitoring device NIC (network interface card.)

**ACT:** The **NETWORK A** and **NETWORK B ACT** LEDs illuminate as data is passed back and forth between the NETWORK A and NETWORK B devices. The **TAP 1 ACT** LED illuminates as data is passed to the TAP 1 monitoring device. The **TAP 2 ACT** LED illuminates as data is passed to the TAP 2 monitoring device.

**POWER:** The **POWER** LED illuminates indicating power is on.

## SS-200 Application & Hardware Installation —

The SS-200 is used primarily in conjunction with two SS-100s to monitor and analyze Primary and Redundant Distribution Networks. **Figure 2** depicts a typical set of monitoring tools attached to a primary circuit that automatically switch to the redundant circuit allowing uninterrupted monitoring using only one network interface card (NIC) for each monitoring device to see the combined traffic.

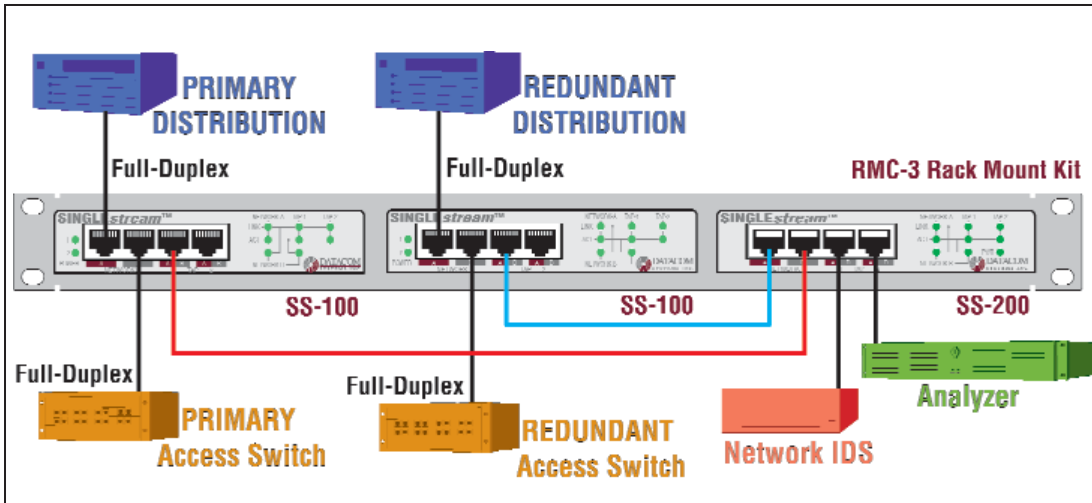


Figure 2 - SS-200 Connectivity Diagram

To connect the SS-200 into the network, refer to **FIGURE 3** and follow these steps:

**Step 1.** Two power supplies are provided for the SINGLEstream™ SS-100 and one power supply for the SINGLEstream™ SS-200. Use of the second power supply is strongly recommended for the SINGLEstream™ SS-100 to assure uninterrupted monitoring. Connect both power supply barrel connectors into the **POWER 1** and **2** ports, respectively, of the SINGLEstream™ SS-100. Plug the power Supplies into the external power source, furthermore, connecting the second power supply to a different external power source circuit than the first power supply eliminates power as a single point of failure. The **POWER 1** and **2** LEDs illuminate indicating power 1 and 2, respectively, are on. Either LED not illuminated indicates a defective power source and immediate replacement is required to insure redundant power integrity.

**IMPORTANT:** *The maximum length of 100 meters must not be exceeded between end-points.*

**Step 2.** Designate one SINGLEstream™ SS-100 primary and the other redundant. Connect the primary network cables to the primary SINGLEstream™ SS-100 RJ45 port **NETWORK A** connector. The **NETWORK-A LINK** LED illuminates indicating link has been established between the NETWORK A connector and primary NETWORK A device.

**NOTE:** Let the "LINK" LED be your guide. *If you are properly connected, NETWORK-A and NETWORK-B "LINK" LEDs remain illuminated simultaneously.*

**Step 3.** Connect the other primary network cables to the primary SINGLEstream™ S-100 RJ45 port **NETWORK B** connector. The **NETWORK-B LINK** LED illuminates indicating link has been established between the NETWORK B connector and primary NETWORK B device.

**!!!: The network is bidirectional Tx/Rx path sensitive and correct connection is indicated by simultaneously illuminated NETWORK-A and NETWORK-B “LINK” LEDs. When connecting the second network device causes the first LINK LED to go out and both LINK LEDs are NOT illuminated, the network connection is backwards. Reverse NETWORK A and NETWORK B connections and link will be established.**

The **NETWORK-A** and **NETWORK-B ACT LEDs** illuminate as data is passed between the primary NETWORK A and NETWORK B devices.

**Step 4.** Connect the redundant network cables to the redundant SS-100 RJ45 port **NETWORK A** connector. The **NETWORK-A LINK** LED illuminates indicating link has been established between the NETWORK A connector and redundant NETWORK A device.

**NOTE: Let the “LINK” LED be your guide. If you are properly connected, NETWORK-A and NETWORK-B “LINK” LEDs remain illuminated simultaneously.**

**Step 5.** Connect the other redundant network cables to the redundant SS-100 RJ45 port **NETWORK B** connector. The **NETWORK-B LINK** LED illuminates indicating link has been established between the NETWORK B connector and redundant NETWORK B device.

**!!!: The network is bidirectional Tx/Rx path sensitive and correct connection is indicated by simultaneously illuminated NETWORK-A and NETWORK-B “LINK” LEDs. When connecting the second network device causes the first LINK LED to go out and both LINK LEDs are NOT illuminated, the network connection is backwards. Reverse NETWORK A and NETWORK B connections and link will be established.**

The **NETWORK-A** and **NETWORK-B ACT LEDs** illuminate as data is passed between the redundant NETWORK A and NETWORK B devices.

**Step 6.** Connect the primary **TAP 1** port connector into the SS-200 RJ45 port **NETWORK B** connector. The **NETWORK-B LINK** LED illuminates indicating link has been established between the NETWORK B connector and the primary SINGLEstream™ SS-100 .

**Step 7.** Connect the redundant **TAP 1** port connector into the SS-200 RJ45 port **NETWORK A** connector. The **NETWORK-A LINK** LED illuminates indicating link has been established between the NETWORK A connector and the redundant SINGLEstream™ SS-100 .

**Step 8.** Connect one SS-200 tap cable from the **TAP 1** port connector into the IDS monitoring NIC. The **TAP 1 LINK** LED illuminates indicating link has been established between the SINGLEstream™ SS-200 TAP 1 connector and IDS monitoring NIC. The SINGLEstream™ SS-200 **TAP 1 ACT** LED illuminates as data is passed to the TAP 1 IDS

**Step 9.** Connect the other SS-200 tap cable from the **TAP 2** port connector into the analyzer monitoring NIC. The **TAP 2 LINK** LED illuminates indicating link has been established between the TAP 2 connector and analyzer monitoring NIC. The SINGLEstream™ SS-200 **TAP 2 ACT** LED illuminates as data is passed to the TAP 2 analyzer.

***VERSAstream™ SPAN Series Overview*** — The *VERSAstream™* SPAN aggregator/regenerator provides a single turnkey solution for 24x7 monitoring of redundant, failover, two-link EtherChannel and asymmetric network segments. It provides the ability to monitor one or two SPAN ports simultaneously, aggregating the data, and sending a single copy to two, three, four, six or eight connected network devices.

For example, instead of deploying two network devices connected to two network taps, simply insert the *VERSAstream™* SPAN aggregator/regenerator into a pair of SPAN ports, where you want to connect your monitoring or analysis equipment, and you can instantly begin collecting data from both SPAN ports simultaneously with as little as one network monitoring tool. It's that simple. No other configuration is necessary.

Asymmetric routing, EtherChannel, and load-balanced environments use multiple paths to send data, reassembling it as the data reaches its destination. The *VERSAstream™* SPAN aggregator/regenerator makes monitoring and analyzing multiple data paths less of a challenge for network managers. The *VERSAstream™* SPAN aggregator/regenerator aggregates the two streams of data it receives, so networking professionals can receive all the data they need with as little as one tool and one trace file.

Redundant networking systems, used in the event of cable or hardware failure, no longer require more than one device to receive data from both network segments. Leave your monitoring and analysis tools hooked up 24x7 with no need to manually switch or move connections. If one network segment, switch, or SPAN port fails or needs reconfiguration, the *VERSAstream™* SPAN aggregator/regenerator will still be able to collect data from the secondary segment, so you will never miss a single packet.

## *VERSAstream™ SPAN Series Features & Benefits*

- Connect any compatible device (protocol analyzer, probe, intrusion detection system, more) for simultaneous monitoring of two full-duplex SPAN Ports - eliminates the need for network connectors to be disconnected and connected each time a segment needs to be monitored
- Two, three, four, six or eight monitor ports allow multiple network devices to simultaneously monitor the same SPAN Ports, providing extended security and analysis options, while reducing contention for access to critical tapped links
- Save money on initial costs and recurring licensing fees - maximize your ROI by deploying fewer network taps and monitoring devices
- Operates at 10 Mbps, 100Mbps or 1000 Mbps and supports full-duplex and half-duplex auto-negotiation.
- Redundant power supply insures seamless monitoring even if the main power source is unavailable to the tap
- A simple "plug-and-play" solution requiring no additional configuration or configuration of external monitoring devices - as easy to use as any network tap
- View all the data from on or two network segments - allows you to monitor and analyze traffic from channelized and asymmetric routing paths, load-balanced applications, and redundant environments
- Provide automatic failover capabilities for your critical network devices - never lose data from network or equipment failures
- Easy to install and 1U" space saving design

## VERSAstream™ SPAN Series Specifications

VERSAstream™	NETWORK PORT SPEED Mb	MONITOR PORT SPEED Mb	TCP Reset	Optional Rack Mount
VS-1022BT-BT	2(10/100/1000)	2(10/100/1000)	NO	RMC-2
VS-1022SX-SX	2(1000SX) LC	2(1000SX) LC	NO	RMC-2
VS-1031BT	1(10/100/1000)	3(10/100/1000)	NO	RMC-2
VS-1031BT-02	1(10/100/1000)	3(10/100/1000)	YES	RMC-2
VS-1041SX-SX	1(1000SX) LC	4(1000SX) LC	NO	RMC-2
VS-1062BT	2(10/100/1000)	6(10/100/1000)	NO	RMC-2
VS-1082	2(10/100/1000)	6(10/100/1000) and 2(1000SX) LC	NO	RMC-2
VS-1082LX-BT	2(1000LX) LC	8(10/100/1000)	NO	RMC-2
VS-1082SX-BT	2(1000SX) LC	8(10/100/1000)	NO	RMC-2
VS-1082SX-SX	2(1000SX) LC	8(1000SX) LC	NO	RMC-2

Feature	Specification
<b>Channel</b> — Network:	10/100/1000 BaseT Ethernet, 1000SX or 1000LX
Monitor:	10/100/1000 BaseT Ethernet and/or 1000SX
<b>Line Speeds Supported</b> — Network:	10/100/1000 Mbs
Monitor:	10/100/1000 Mbs
<b>Cable Type</b> — Network:	CAT 5E (BT), 50 or 60.5 micron (SX) or 9 micron (LX)
Monitor:	CAT 5E (BT) and/or 50 or 60.5 micron (SX)
<b>Port Connectivity</b> — NETWORK:	RJ45 or Duplex LC
MONITOR:	RJ45 and/or Duplex LC
<b>Power</b> —	Two external power supplies 120-240 VAC, 80 W
<b>Operating Temperature:</b>	0° to 40° C (32° to 104° F)
<b>Storage Temperature:</b>	-30° to 65° C (-22° to 149° F)
<b>Humidity:</b>	Less than 95° C non-condensing
<b>Dimensions</b> — VS-1022BT-BT, VS-1022SX-SX, VS-1031BT, VS-1031BT-02, VS-1041SX-SX, VS-1062BT, VS-1082, VS-1082LX-BT, VS-1082SX-BT, or VS-1082SX-SX:	1.125" (H) x 8.750" (W) x 7.500" (D) (includes rack mount chassis bracket) 30 mm (H) x 225 mm (W) x 190 mm (D)
<b>Weight</b> — VS-1022BT-BT, VS-1022SX-SX, VS-1031BT, VS-1031BT-02, VS-1041SX-SX, VS-1062BT, VS-1082, VS-1082LX-BT, VS-1082SX-BT, or VS-1082SX-SX:	Unit — 2-¼ pounds; Shipping — 6 pounds

## SPAN and Multi-Link Aggregators/Regenerators • USERguide



**VERSAsream™ SPAN Hardware Description** — Figure 3 through Figure 12 illustrates the VERSAsream™ SPAN Series aggregator/regenerator front panel. This is the location for all cable connections and status LEDs.

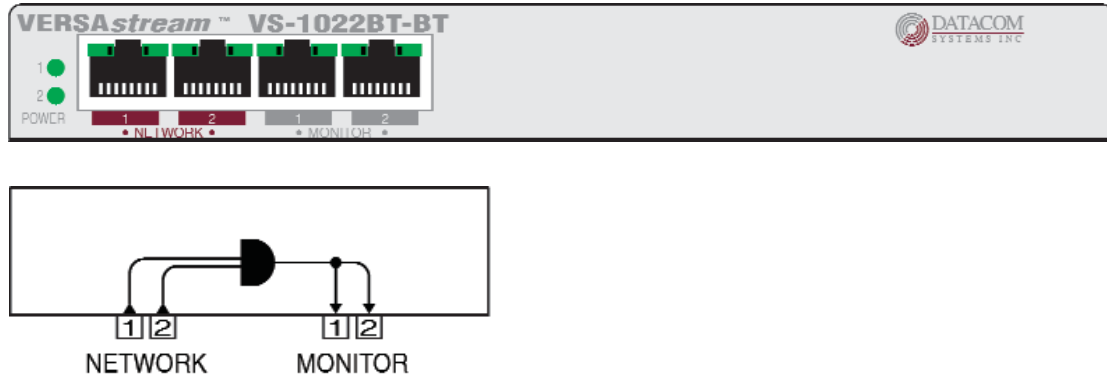


Figure 3 - VS-1022BT-BT Front Panel and functional diagram

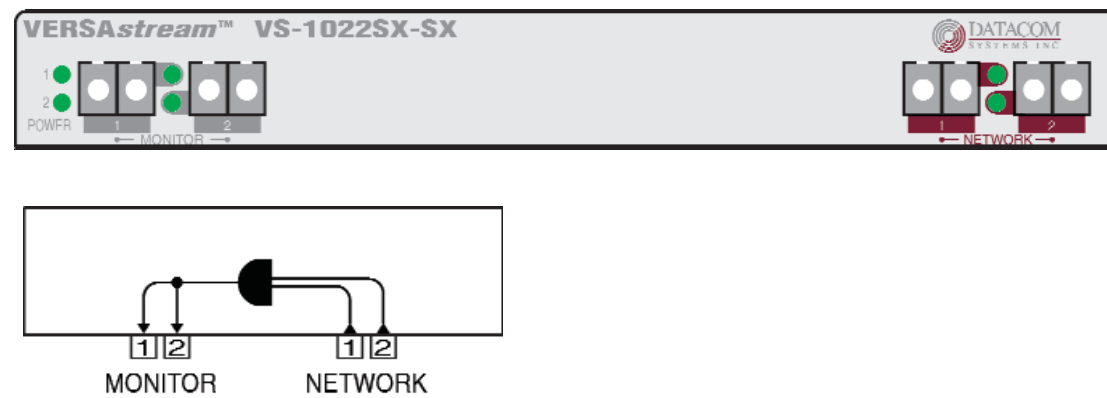


Figure 4 - VS-1022SX-SX Front Panel and functional diagram

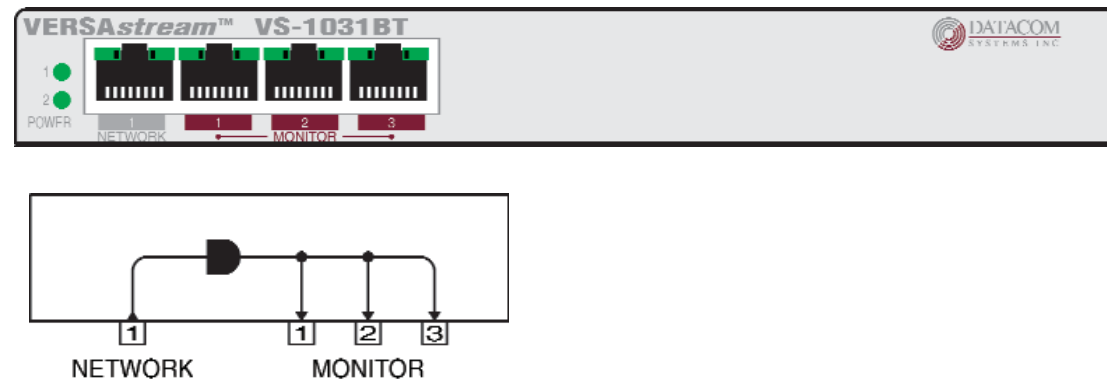


Figure 5 - VS-1031BT and VS-1031BT-02 (TCP reset) Front Panel and functional diagram

**SPAN and Multi-Link Aggregators/Regenerators • USERguide**

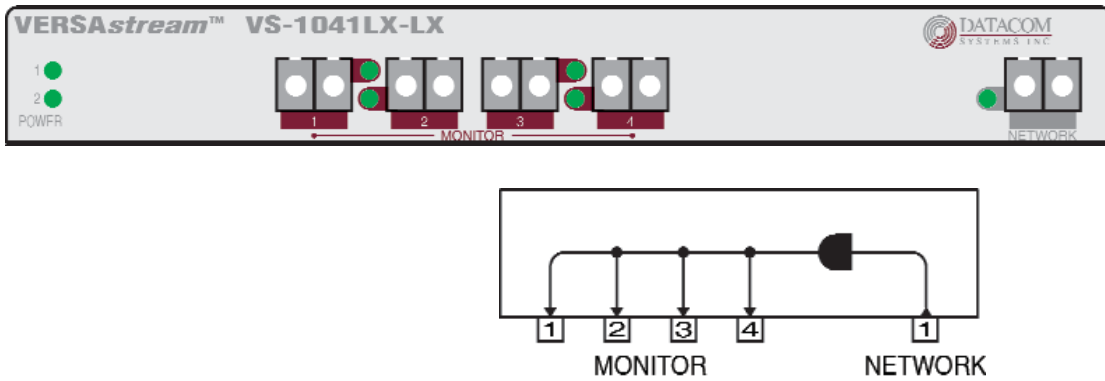


Figure 6 - VS-1041LX-LX Front Panel and functional diagram

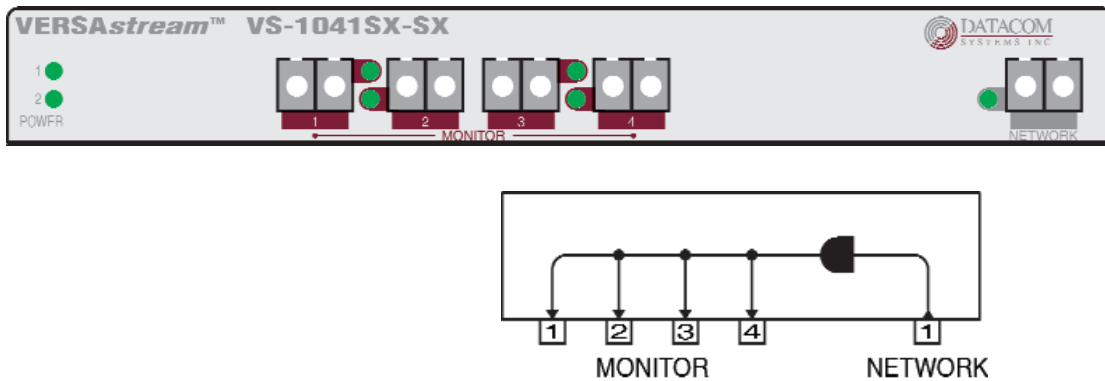


Figure 7- VS-1041SX-SX Front Panel and functional diagram

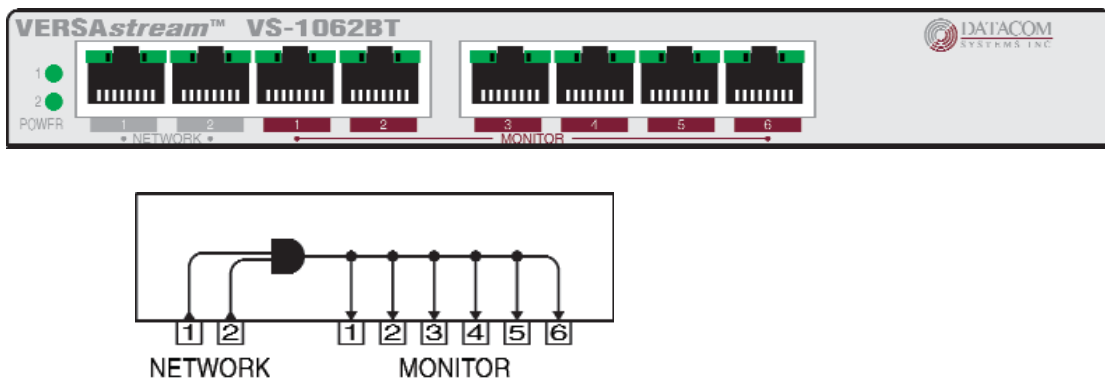


Figure 8 - VS-1062BT Front Panel and functional diagram

**SPAN and Multi-Link Aggregators/Regenerators • USERguide**

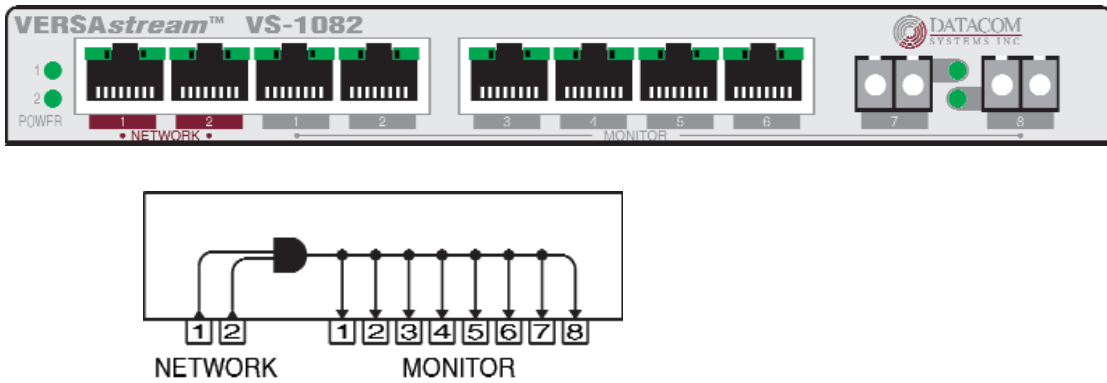


Figure 9 - VS-1082 Front Panel and functional diagram

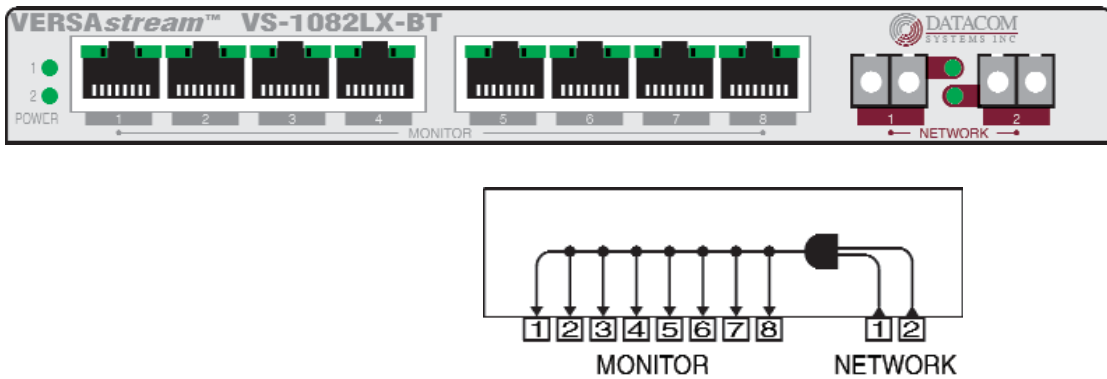


Figure 10 - VS-1082LX-BT Front Panel and functional diagram

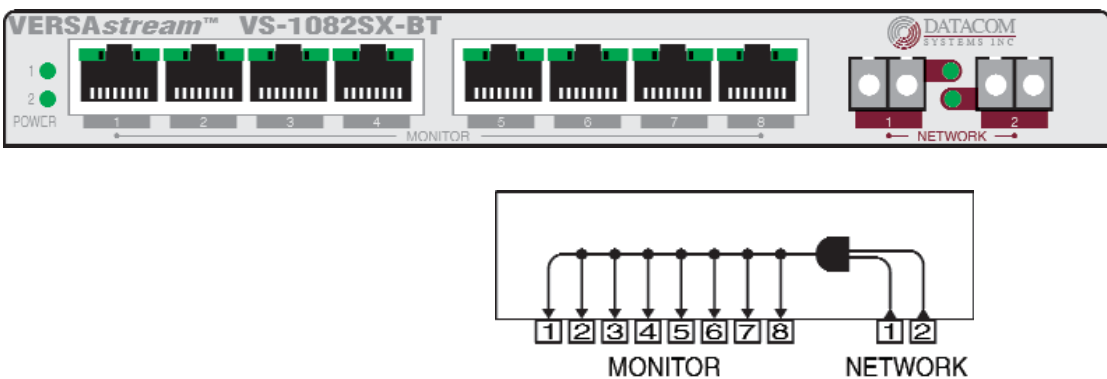


Figure 11 - VS-1082SX-BT Front Panel and functional diagram

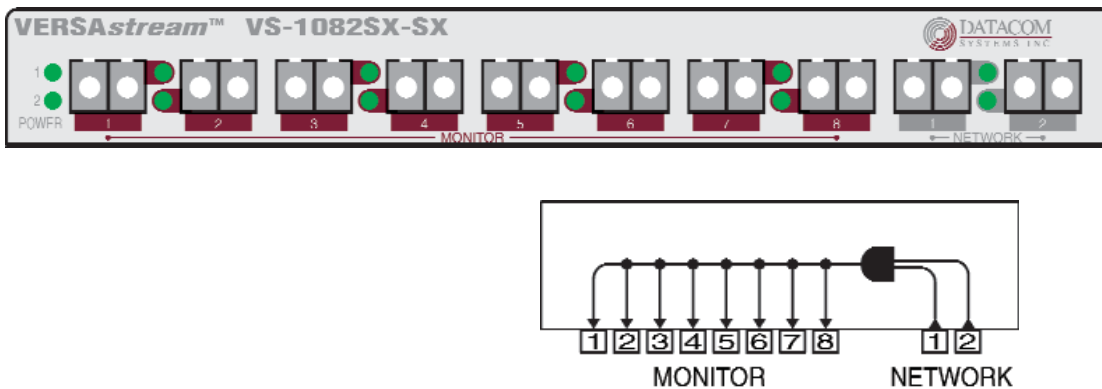


Figure 12 - VS-1082SX-SX Front Panel and functional diagram

An explanation of each front panel legend follows:

**POWER:** Two power supplies are provided for each module. Use of the second power supply is strongly recommended to assure uninterrupted monitoring. Furthermore, connecting the second power supply to a different external power source circuit than the first power supply eliminates power as a single point of failure. The **POWER 1** and **2** LEDs illuminate indicating **POWER 1** and **2**, respectively, are on. Either LED not illuminated indicates a defective power source and immediate replacement is required to insure redundant power integrity.

**NETWORK:** These ports are either RJ45 or duplex-LC connectors used for connection to SPAN network connections. The LED Display Code table deciphers the RJ45 jacks with integrated LEDs that display line status and line speed of each port. The LED associated with each duplex-LC jack indicates when light signal has been detected on the respective Rx **NETWORK** port.

LED Display Code				
Code	Left LED		WITH LINK OR DATA Right LED	Code
Link	Solid Green		Green	1,000 Mbs
Data	Flashing Green		Orange	100 Mbs
			OFF	10 Mbs

**MONITOR:** These ports are either RJ45 or duplex-LC connectors used for connection to NIC **MONITOR** card connectors of each network monitoring tool. network connections. The LED Display Code Table deciphers the RJ45 jacks with integrated LEDs that display line status and line speed of each port. The LED associated with each duplex-LC jack indicates when light signal has been detected on the respective Rx **MONITOR** port.

### *Application & Hardware Installation* — Figure 13

through **Figure 15** depict typical application installations of VERSAstream™ SPAN aggregator/regenerator series models.

**‘Dual-Homed’ Server Application** — shown in **Figure 13**, focuses on monitoring and analysis of the “Dual Homed” Server Distribution Network. This VS-1022SX-SX is similar to other VERSAstream™ SPAN series installations:

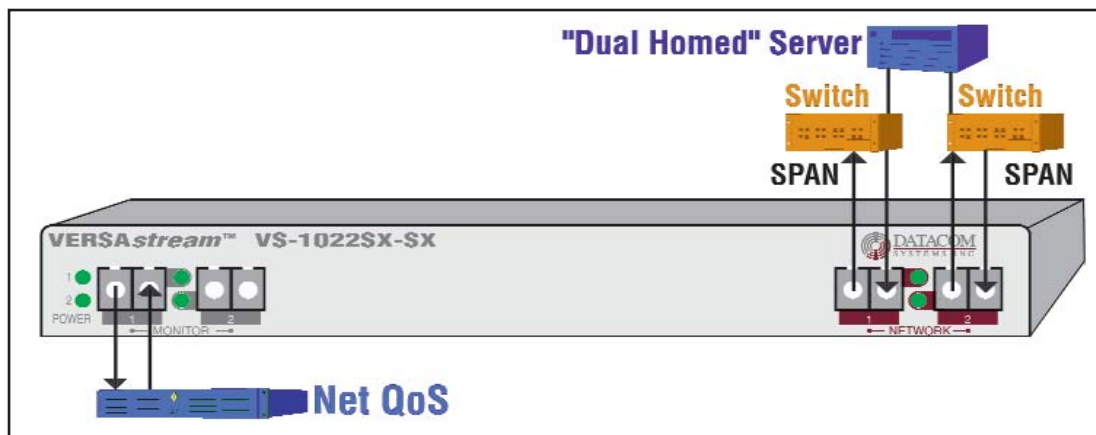


Figure 13 - VS-1022SX-SX Hardware Installation

To connect the VERSAstream™ VS-1022SX-SX SPAN Series aggregator/regenerator, refer to **Figure 13** and follow these steps:

1. Two power supplies are provided. Use of the second power supply is strongly recommended to assure uninterrupted monitoring. Connect both power supply barrel connectors into the power 1 and 2 ports, respectively, of the VERSAstream™. Plug the power supplies into the external power source, furthermore, connecting the second power supply to a different external power source circuit than the first power supply eliminates power as a single point of failure. The **POWER 1** and **2** LEDs illuminate indicating power 1 and 2, respectively, are on. Either LED not illuminated indicates a defective power source and immediate replacement is required to insure redundant power integrity.

2. Connect network cables to the VERSAstream™ **NETWORK** duplex-LC ports. The LED associated with each duplex-LC jack is solid green indicating when light signal has been detected on the respective Rx **NETWORK** port.
3. Connect analysis devices to the VERSAstream™ **MONITOR** ports. Two DRL494–2m cables are provided to connect analysis SC ports to the **MONITOR** duplex-LC ports. Either, the **MONITOR** duplex-LC Link LED or the **MONITOR** RJ45 Link LED is solid green when link has been established between the respective monitor port and analysis device. The LED is flashing green when data is passed from the respective monitor port to the analysis device.

**Full Duplex aggregated Application** — shown in **Figure 14**, focuses on monitoring and analysis of the full duplex aggregated input into one single stream of data using a FIBERTap™ in conjunction with the VS-1022SX-SX. This VS-1022SX-SX is similar to other VERSAstream™ SPAN series installations:

To connect the VERSAstream™ VS-1022SX-SX SPAN Series aggregator/regenerator, refer to **Figure 14** and follow these steps:

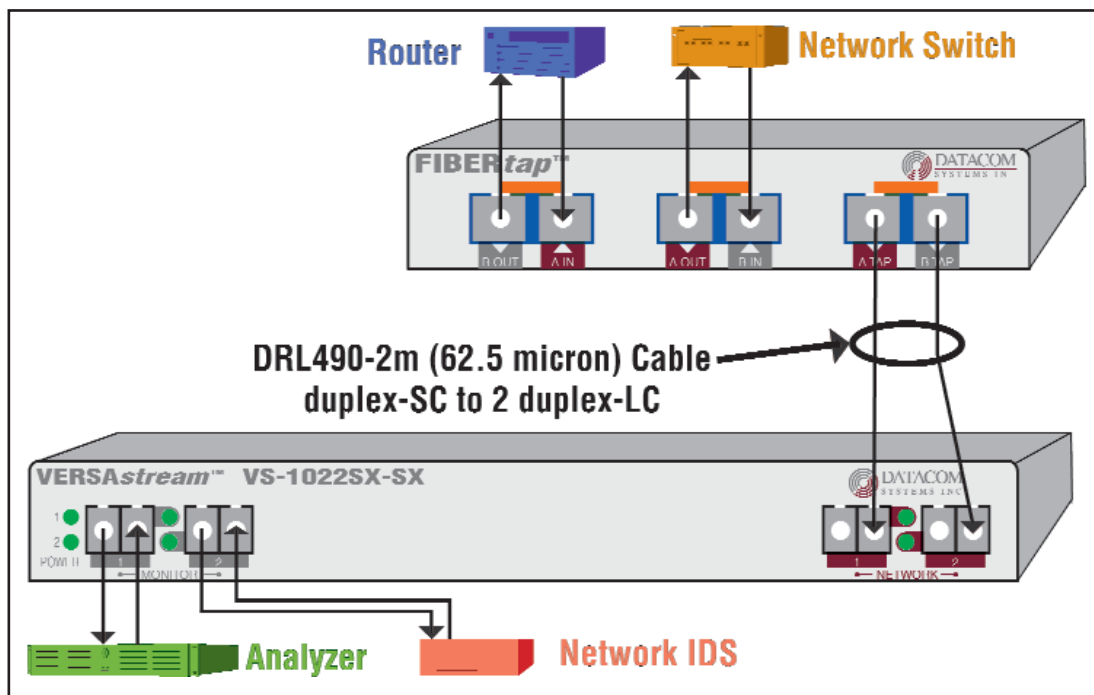


Figure 14 - VS-1022SX-SX Hardware Installation

1. Two power supplies are provided. Use of the second power supply is strongly recommended to assure uninterrupted monitoring. Connect both power supply barrel connectors into the power 1 and 2 ports, respectively, of the VERSAstream™. Plug the power supplies into the external power source, furthermore,

connecting the second power supply to a different external power source circuit than the first power supply eliminates power as a single point of failure. The **POWER 1** and **2** LEDs illuminate indicating power 1 and 2, respectively, are on. Either LED not illuminated indicates a defective power source and immediate replacement is required to insure redundant power integrity.

2. Connect one network device duplex-SC plug to the FIBERtap™ duplex-SC **B OUT** and **A IN** connector.
3. Connect the other network device duplex-SC plug to the FIBERtap™ duplex-SC **A OUT** and **B IN** connector.
4. Using either a DRL490-2m (62.5 micron for SX) Cable or a DRL491-2m (9 micron for LX) Cable, connect the FIBERtap™ duplex-SC **A OUT** and **B OUT** connector to both of the VERSAstream™ duplex-LC **NETWORK** ports. The LED associated with each **NETWORK** duplex-LC jack is solid green indicating light signal has been detected on the Rx **NETWORK** ports.
5. Connect analysis devices to the VERSAstream™ duplex-LC **MONITOR** ports. Two DRL494-2m cables are provided to connect analysis SC ports to the duplex-LC **MONITOR** ports. The LED associated with each **MONITOR** duplex-LC jack is solid green indicating when light signal has been detected on the respective Rx **MONITOR** port.

**Primary/Redundant Router Application** — shown in **Figure 15**, focuses on monitoring and analysis of the SPAN output of a Primary and Redundant network aggregated into one single stream of data. This VS-1022SX-SX is similar to other VERSAstream™ SPAN series installations:

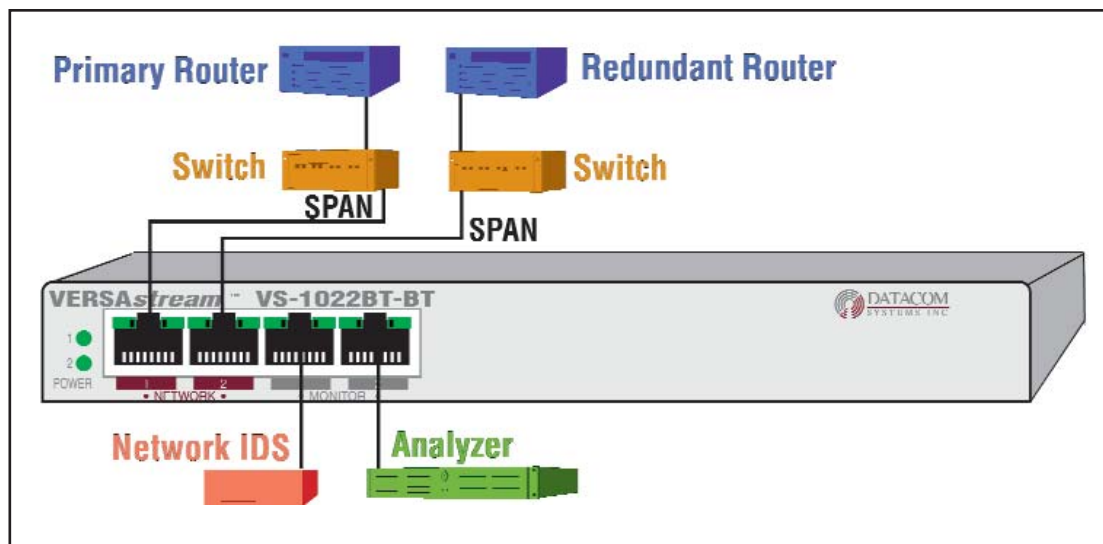



Figure 15 - VS-1022BT-BT Hardware Installation

To connect the VERSAstream™ VS-1022BT-BT SPAN Series aggregator/regenerator, refer to **Figure 15** and follow these steps:

1. Two power supplies are provided. Use of the second power supply is strongly recommended to assure uninterrupted monitoring. Connect both power supply barrel connectors into the power 1 and 2 ports, respectively, of the VERSAstream™. Plug the power supplies into the external power source, furthermore, connecting the second power supply to a different external power source circuit than the first power supply eliminates power as a single point of failure. The **POWER 1** and **2** LEDs illuminate indicating power 1 and 2, respectively, are on. Either LED not illuminated indicates a defective power source and immediate replacement is required to insure redundant power integrity.
2. Connect network cables to the VERSAstream™ RJ45 **NETWORK** ports. The **NETWORK** RJ45 left integrated LED is solid green indicating link has been established on the port. The LED Display Code table deciphers the RJ45 jacks with integrated LEDs that display line status and line speed of each port.

LED Display Code				
Code	Left LED		WITH LINK OR DATA Right LED	Code
Link	Solid Green		Green	1,000 Mbs
Data	Flashing Green		Orange	100 Mbs
			<b>OFF</b>	10 Mbs

3. Connect analysis devices to the VERSAstream™ RJ45 **MONITOR** ports. The **MONITOR** RJ45 left integrated LED is solid green indicating link has been established on the port. The LED Display Code table deciphers the RJ45 jacks with integrated LEDs that display line status and line speed of each port.



## ***VERSAstream™ Multi-link Series Overview*** — The

VERSAstream™ Multi-Link Aggregator can combine data from multiple Ethernet network segments into one stream of data. A single Gigabit device, such as an intrusion detection system, protocol analyzer, or network probe can receive the aggregated data with just one network interface card (NIC).

The VERSAstream™ also has an additional monitor port (2 and 4-port models available), so multiple Gigabit devices can receive the same data stream. This allows different monitoring and analysis devices to collect data from the same network segments at the same time, eliminating contention for access to the network.

### ***Monitor more network traffic with fewer tools***

Network administrators are no longer required to have a separate device for each network segment to achieve simultaneous 24x7 monitoring of multiple links, nor do they need to "switch" to a different segment each time they need to collect data from it. The VERSAstream™ simultaneously collects data from multiple network segments and aggregates all the data before sending it to the connected monitoring and analysis devices, expanding network visibility and reducing the number of tools needed on the network. Fewer tools means lower equipment and licensing costs. And, because the VERSAstream™ aggregates all the data before sending it to the connected network device, you can always view the entire conversation even in asymmetric routing, redundant, and load-balanced environments.

### ***Enhanced security***

The VERSAstream™ enhances your security because it allows you to see 100% of your network traffic. Total visibility means no missed packets and no chance of missing a network attack due to SPAN/Mirror port oversubscription, traffic overflow, or many of the problems associated with traditional monitoring methods.

### ***Improved problem resolution time***

Aggregation offers a complete view of the traffic. Instead of collecting and manually assembling trace or log files from separate tools on separate network segments, the VERSAstream™ can easily let security and analysis tools collect all the data they need in a single file. In security applications, events and false positives are recorded fewer times. In all applications, data can be analyzed faster than ever, which increases uptime and saves money.

## *Features and Benefits*

- Connect any Gigabit (Gbps) device (protocol analyzers, probes, intrusion detection system, more) for permanent simultaneous monitoring of multiple full-duplex links — eliminates the need for network connectors to be disconnected and connected each time a segment needs to be monitored.
- Multipoint analysis enables you to seamlessly analyze a packet at multiple points in your network with one tool - know exactly what is happening to data as it moves through your network.
- View all the data from multiple network segments - allows you to monitor and analyze traffic from asymmetric routing paths, load-balanced applications, and redundant environments.
- Two monitor ports (4-port model available) allow two Gigabit (Gbps) devices to simultaneously monitor the same links, providing extended security and analysis options, while eliminating contention for network access.
- Simple plug-and-play solution -requires no additional configuration or configuration of external monitoring devices.
- Save money on recurring licensing fees and maximize your ROI by deploying fewer network devices.
- Redundant power supply insures seamless monitoring even if the main power source is unavailable.
- Easy to install and 1 U" space saving design.
- Free Technical Support throughout the lifetime of the product.
- 2-year limited manufacturers warranty on hardware.
- Datacom Customer Service personnel are available Monday through Friday from 8:30 AM to 5:30 PM EST. Support is available via phone, fax, e-mail, or website.

## VERSAstream™ Multi-link Series Specifications

VERSAstream™	NETWORK PORT SPEED Mb	MONITOR PORT SPEED Mb	Optional Rack Mount
VS-1026BT-BT	6(10/100/1000)	2(10/100/1000)	RMC-2
VS-1028	8(10/100/1000)	2(1000SX) LC	RMC-2
VS-1028SX	8(1000SX) LC	2(1000SX) LC	RMC-2
VS-1046	6(10/100/1000)	2(1000SX) LC & 2(10/100/1000)	RMC-2
VS-1046SX	6(1000SX) LC	4(1000SX) LC	RMC-2
VS-1412 kit	12(10/100/1000)	4(1000SX) LC	RMC-2
VS-1610 kit	10(10/100/1000)	4(1000SX) LC & 2(10/100/1000)	RMC-2

Feature	Specification
<b>Channel</b> — Network:	10/100/1000 BaseT Ethernet or 1000SX
Monitor:	10/100/1000 BaseT Ethernet and/or 1000SX
<b>Line Speeds Supported</b> — Network:	10/100/1000 BaseT Ethernet or 1000SX
Monitor:	10/100/1000 BaseT Ethernet and/or 1000SX
<b>Cable Type</b> — Network:	CAT 5E (BT), 50 or 60.5 micron (SX)
Monitor:	CAT 5E (BT) and/or 50 or 60.5 micron (SX)
<b>Port Connectivity</b> — NETWORK:	RJ45 or Duplex LC
MONITOR:	RJ45 and/or Duplex LC
<b>Power</b> —	Two external power supplies 120-240 VAC, 80 W
<b>Operating Temperature:</b>	0° to 40° C (32° to 104° F)
<b>Storage Temperature:</b>	-30° to 65° C (-22° to 149° F)
<b>Humidity:</b>	Less than 95° C non-condensing
<b>Dimensions</b> — VS-1026BT-BT, VS-1028, VS-1028SX, VS-1046, VS-1046SX, VS-1412, or VS-1610:	1.125" (H) x 8.750" (W) x 7.500" (D) (includes rack mount chassis bracket) 30 mm (H) x 225 mm (W) x 190 mm (D)
VS1412 kit or VS1610 kit:	1.75" (H) x 19.00" (W) x 8.75" (D) (includes rack mount brackets) 45 mm (H) x 485 mm (W) x 225 mm (D)
<b>Weight</b> — VS-1026BT-BT, VS-1028, VS-1028SX, VS-1046, VS-1046SX, VS-1412, or VS-1610:	Unit — 2-¼ pounds; Shipping — 6 pounds
VS1412 kit and VS1610 kit:	Kit — 7-¾ pounds; Shipping — 15 pounds

**VERSAstream™ Multi-link Hardware Description** — Figure 16

through Figure 22 illustrates the VERSAstream™ Multi-link Series aggregator/regenerator front panel. This is the location for all cable connections and status LEDs.

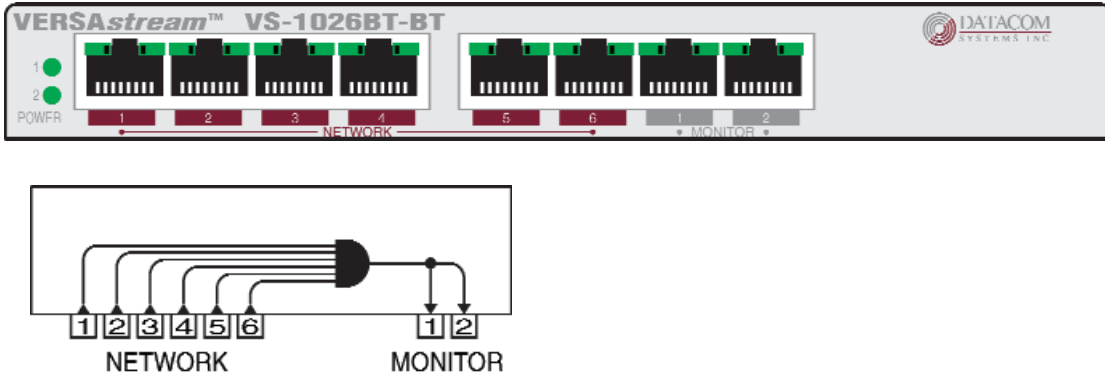


Figure 16 - VS-1026BT-BT Front Panel and functional diagram

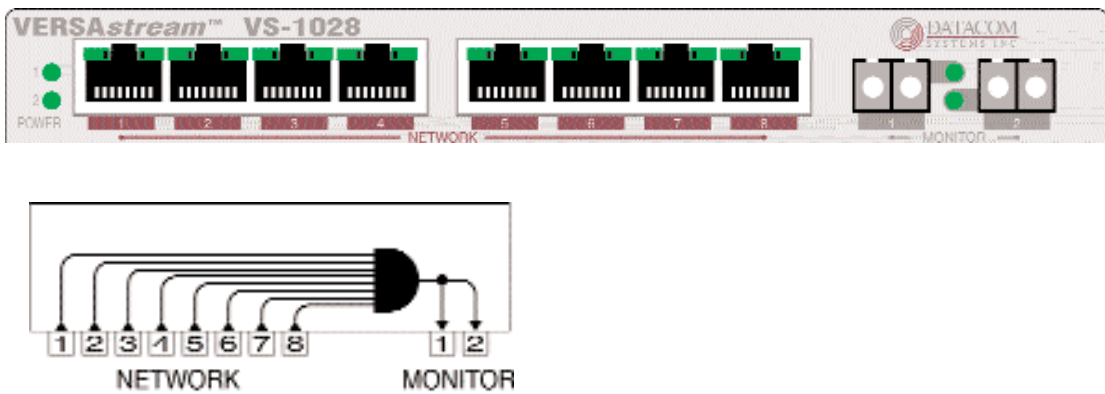


Figure 17 - VS-1028 Front Panel and functional diagram

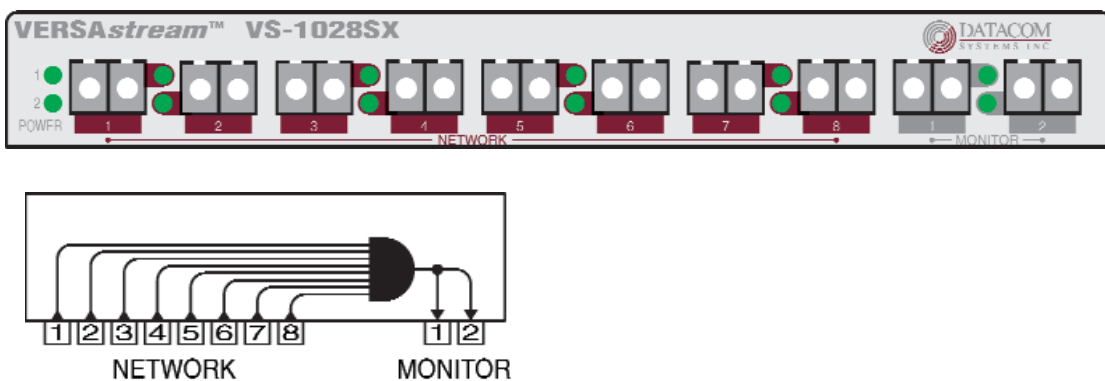


Figure 18 - VS-1028SX Front Panel and functional diagram

**SPAN and Multi-Link Aggregators/Regenerators • USERguide**

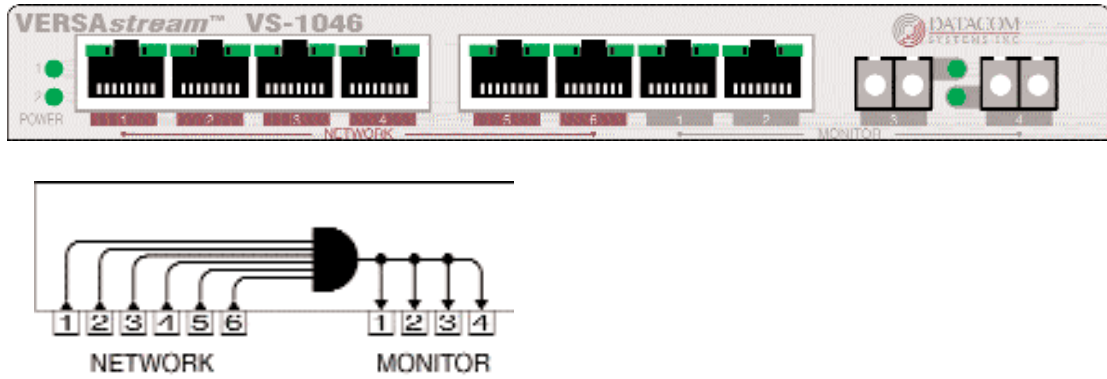


Figure 19 - VS-1046 Front Panel and functional diagram

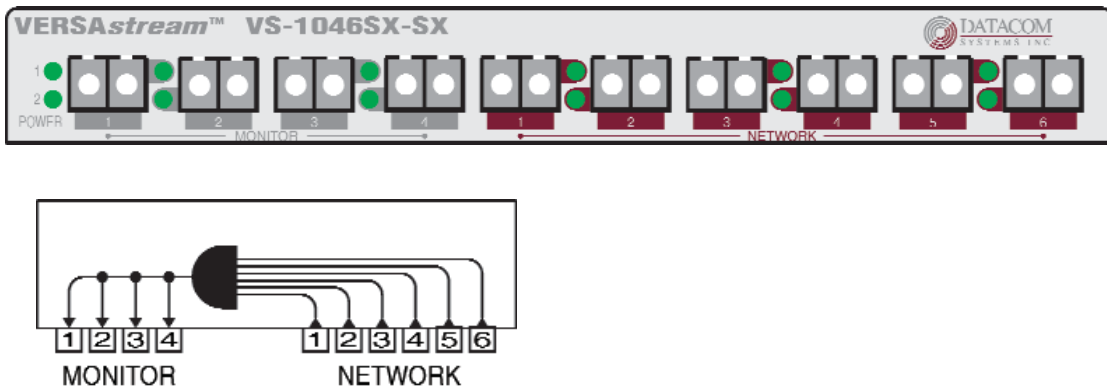


Figure 20 - VS-1046SX Front Panel and functional diagram

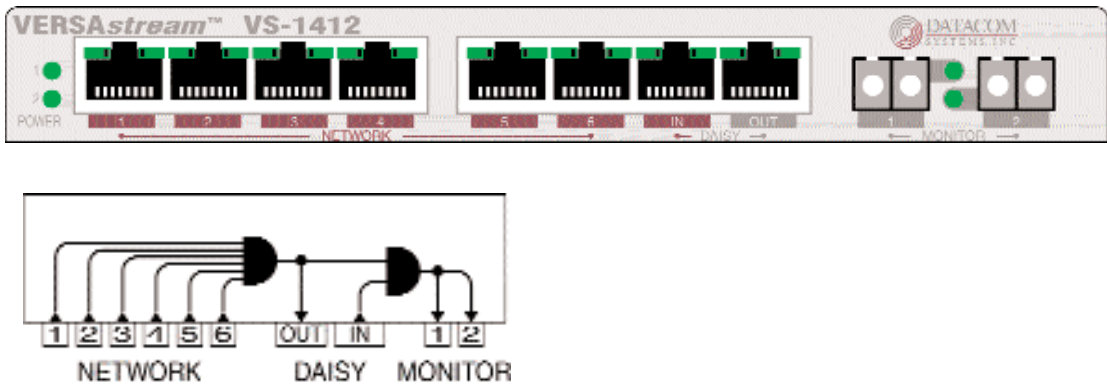


Figure 21 - VS-1412 Front Panel (1 of 2 in kit) and functional diagram

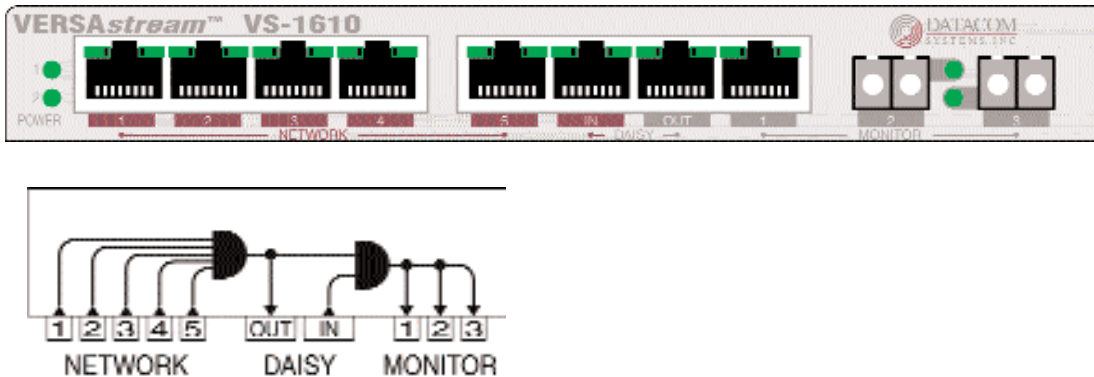



Figure 22 - VS-1610 Front Panel (1 of 2 in kit) and functional diagram

An explanation of each front panel legend follows:

**POWER 1, 2:** Two power supplies are provided for each module. Use of the second power supply is strongly recommended to assure uninterrupted monitoring. Furthermore, connecting the second power supply to a different external power source circuit than the first power supply eliminates power as a single point of failure. The **POWER 1** and **2** LEDs illuminate indicating power 1 and 2, respectively, are on. Either LED not illuminated indicates a defective power source and immediate replacement is required to insure redundant power integrity.

**NETWORK:** These ports are either RJ45 or duplex-LC connectors used for connection to SPAN network connections. The LED Display Code table deciphers the RJ45 jacks with integrated LEDs that display line status and line speed of each port. The LED associated with each duplex-LC jack indicates when light signal has been detected on the respective Rx **NETWORK** port.

LED Display Code				
Code	Left LED		WITH LINK OR DATA Right LED	Code
Link	Solid Green		Green	1,000 Mbs
Data	Flashing Green		Orange	100 Mbs
		OFF	10 Mbs	

**MONITOR:** These ports are either RJ45 or duplex-LC connectors used for connection to NIC **MONITOR** card connectors of each network monitoring tool. network connections. The LED Display Code Table deciphers the RJ45 jacks with integrated LEDs that display line status and line speed of each port. The LED associated with each duplex-LC jack indicates when light signal has been detected on the respective Rx **MONITOR** port.

**DAISY:** DAISY ports **IN** and **OUT** are RJ45 connectors cabled to the next aggregator. The LED Display Code Table deciphers the RJ45 jacks with integrated LEDs that display line status and line speed of each port.

## *Analyzing/Monitoring Gigabit EtherChannel*

**CONCERN:** The popularity of web-based services has increased bandwidth consumption. An increase in bandwidth consumption has also brought increased network problems. The increase in traffic and accompanying problems are often seen on the backbone of networks where mission critical applications and services must travel. In an effort to maximize network performance, meet the current and future needs of users, and ensure uptime, bandwidth and fault-tolerance have become a primary focus of networking professionals.

To solve many bandwidth and fault-tolerance problems, network professionals have implemented Gigabit EtherChannel in their network. Because IT Managers are often working with flat budgets and must utilize existing equipment and cabling, Gigabit EtherChannel is a common solution used to increase bandwidth, improve load-balancing, and create fault-tolerance.

Common Gigabit EtherChannel configurations combine up to eight Gigabit Ethernet segments into a single, logical channel between switches, routers, and servers. For example, a four-link Gigabit EtherChannel takes four Gigabit full duplex links (a total bandwidth 2000 MB) and combines them into one virtual link (a total bandwidth of 8000 MB), effectively quadrupling bandwidth. These links are managed and load balanced by Port Aggregation Protocol (PAgP). If anyone of the four links fails, PAgP will automatically redirect and load balance the remaining three links.

Because traffic in a Gigabit EtherChannel implementation is load balanced, packets are distributed across several different physical links. Often, traffic transmits on one segment and receives on another. This makes network analysis and monitoring especially challenging. If an analyzer or monitoring device is put on only one physical link, it will not see the entire conversation. Most analyzers and monitoring devices also cannot view EtherChannel traffic.

**SOLUTION:** Because Gigabit EtherChannel is comprised of multiple physical links, most analyzers and monitoring devices cannot provide complete monitoring, troubleshooting, and diagnosis of the most critical parts of the network. Up until now, the few solutions that exist have been very expensive, not compatible with existing tools, or have been time-consuming to administer.

Unlike other solutions, the VERSAstream™ Multi-Link Aggregator when deployed with SINGLEstream™ Gigabit Aggregation Taps or other Datacom Systems Gigabit Ethernet taps provides complete visibility into Gigabit EtherChannel, while allowing network professionals to use their existing analysis and monitoring devices. The VERSAstream™ Multi-Link Aggregator is a simple "plug and play" solution that can combine data from multiple Gigabit Ethernet network segments into one stream of data. A single Gigabit device, such as an intrusion detection system, protocol analyzer, or network probe can receive the aggregated data with just one network interface card (NIC). It requires no software, no configuration, and no administration.

**Application & Hardware Installation** — Figure 23 through Figure 25 depict typical application installations of VERSAstream™ Multi-link aggregator/regenerator series models.

**Gigabit Ether Channel Application** — shown in Figure 23, focuses on monitoring and analysis of a Gigabit Ether Channel Distribution Network. This VS-1028 is similar to other VERSAstream™ Multi-link series installations:

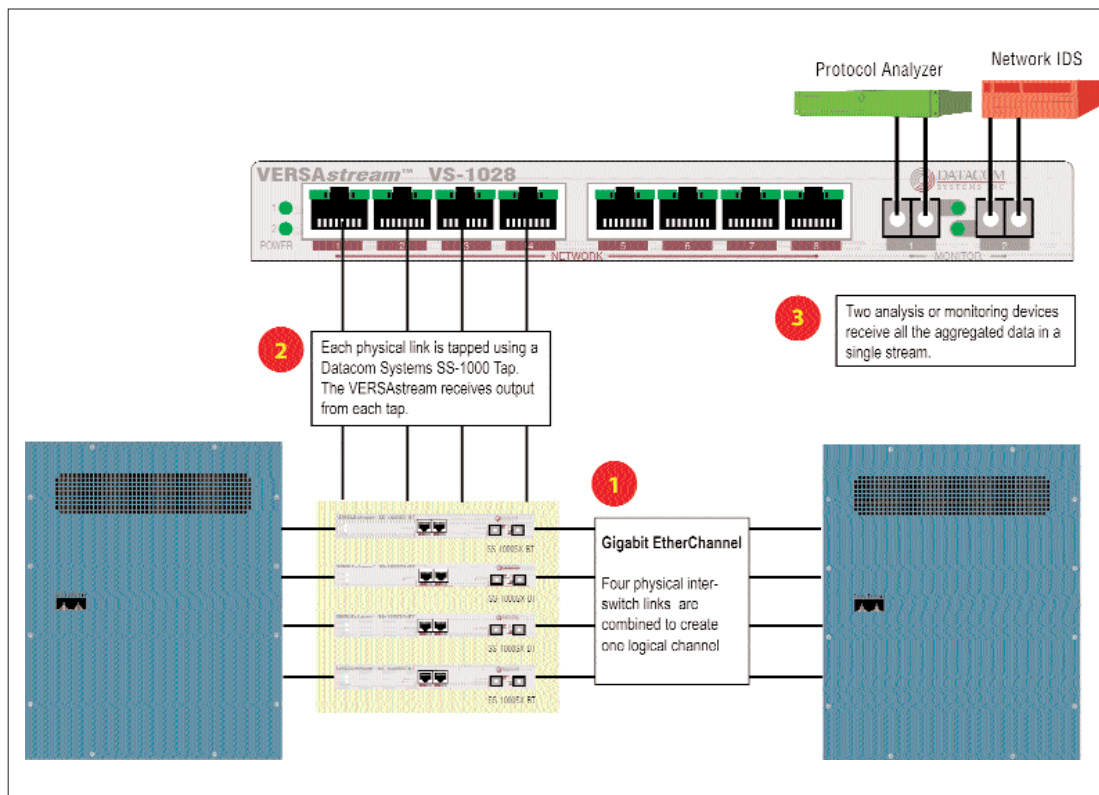



Figure 23 - VS-1028 Gigabit EtherChannel Application



To connect the VERSAstream™ VS-1028 Multi-link Series aggregator/regenerator, refer to **Figure 23** and follow these steps:

1. Two power supplies are provided. Use of the second power supply is strongly recommended to assure uninterrupted monitoring. Connect both power supply barrel connectors into the power 1 and 2 ports, respectively, of the VERSAstream™. Plug the power supplies into the external power source, furthermore, connecting the second power supply to a different external power source circuit than the first power supply eliminates power as a single point of failure. The **POWER 1** and **2** LEDs illuminate indicating **POWER 1** and **2**, respectively, are on. Either LED not illuminated indicates a defective power source and immediate replacement is required to insure redundant power integrity.
2. Connect network cables to the VERSAstream™ **NETWORK** RJ45 ports. The **NETWORK** RJ45 Link LED is solid green indicating link has been established between the respective **NETWORK** port and network device. The LED Display Code table deciphers the RJ45 jacks with integrated LEDs that display line status and line speed of each port. The LED is flashing green when data is passed from the respective network device to the network port.

LED Display Code				
Code	Left LED		WITH LINK OR DATA Right LED	Code
Link	Solid Green		Green	1,000 Mbs
Data	Flashing Green		Orange	100 Mbs
			OFF	10 Mbs

3. Connect analysis devices to the VERSAstream™ **MONITOR** ports. Two DRL494–2m cables are provided to connect analysis SC ports to the **MONITOR** duplex-LC ports. The LED associated with each duplex-LC jack indicates when light signal has been detected on the respective Rx **MONITOR** port.

**NOTE:** For other typical application installations of VERSAstream™ Multi-link aggregator/regenerator series models, some **NETWORK** ports are duplex-LC jacks with associated LEDs that indicate when light signal has been detected on the respective Rx **NETWORK** port. And some **MONITOR** ports are RJ45 jacks with integrated LEDs that display line status and line speed of each port as deciphered in the The LED Display Code table. The LED is flashing green when data is passed from the respective **MONITOR** device to the **MONITOR** port.

**VS-1028 with Taps Application** — shown in **Figure 24**, focuses on a typical VERSAstream™ VS-1028 Multi-Link Aggregator application deployed with Datacom Taps to combine traffic from different network segments and output the aggregated data to either a single network tool or two connected monitoring devices. This VS-1028 is similar to other VERSAstream™ Multi-link series installations:

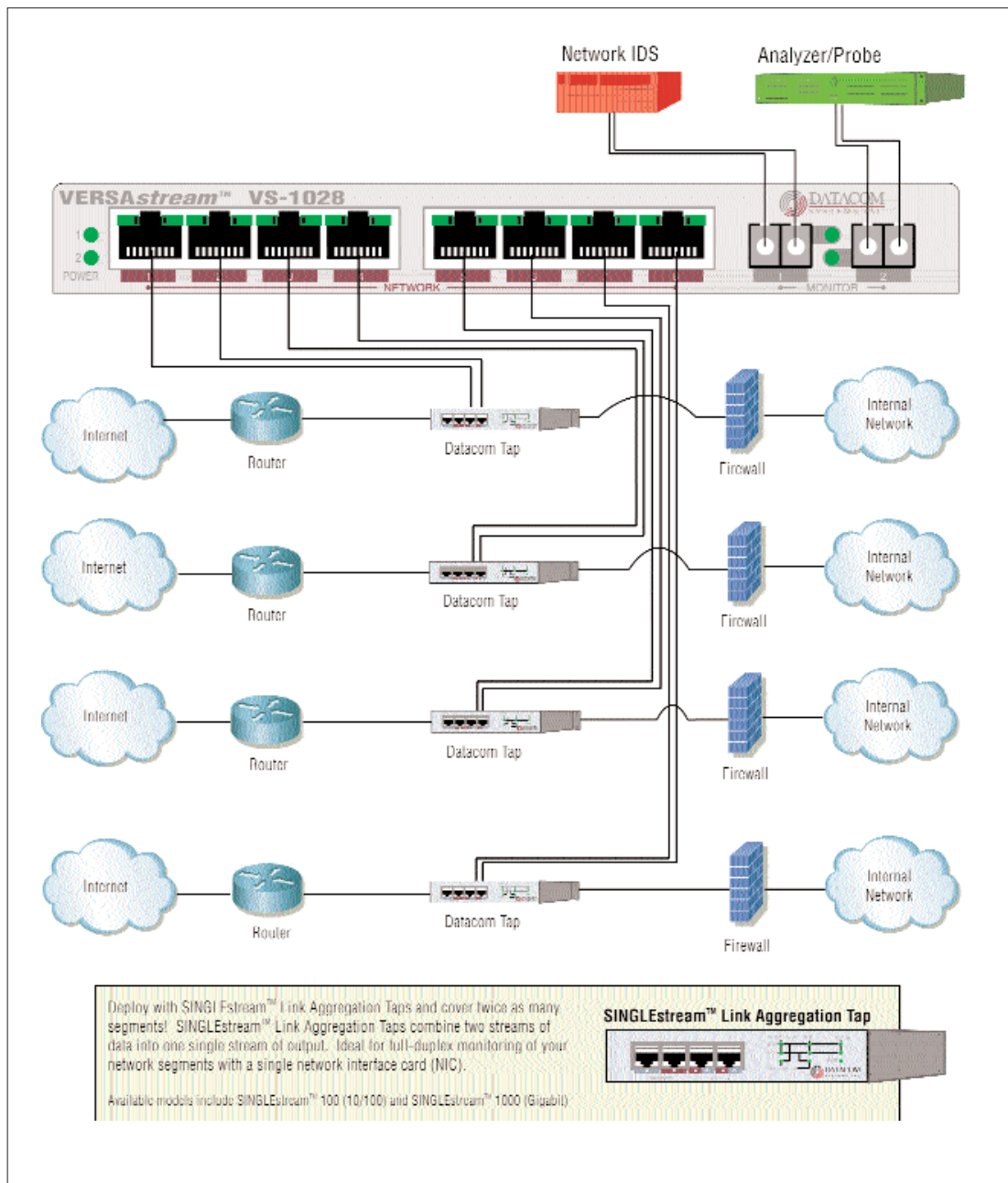



Figure 24 - VS-1028 with Taps Application

To connect the VERSAstream™ VS-1028 Multi-link Series aggregator/regenerator, refer to **Figure 24** and follow these steps:

1. Two power supplies are provided. Use of the second power supply is strongly recommended to assure uninterrupted monitoring. Connect both power supply barrel connectors into the power 1 and 2 ports, respectively, of the VERSAstream™. Plug the power supplies into the external power source, furthermore, connecting the second power supply to a different external power source circuit than the first power supply eliminates power as a single point of failure. The **POWER 1** and **2** LEDs illuminate indicating **POWER 1** and **2**, respectively, are on. Either LED not illuminated indicates a defective power source and immediate replacement is required to insure redundant power integrity.
2. Connect network cables to the VERSAstream™ **NETWORK** RJ45 ports. The **NETWORK** RJ45 Link LED is solid green indicating link has been established between the respective **NETWORK** port and network device. The LED Display Code table deciphers the RJ45 jacks with integrated LEDs that display line status and line speed of each port. The LED is flashing green when data is passed from the respective network device to the network port.

LED Display Code				
Code	Left LED		WITH LINK OR DATA Right LED	Code
Link	Solid Green		Green	1,000 Mbs
Data	Flashing Green		Orange	100 Mbs
			OFF	10 Mbs

3. Connect analysis devices to the VERSAstream™ **MONITOR** ports. Two DRL494–2m cables are provided to connect analysis SC ports to the **MONITOR** duplex-LC ports. The LED associated with each duplex-LC jack indicates when light signal has been detected on the respective Rx **MONITOR** port.

**NOTE:** For other typical application installations of VERSAstream™ Multi-link aggregator/regenerator series models, some **NETWORK** ports are duplex-LC jacks with associated LEDs that indicate when light signal has been detected on the respective Rx **NETWORK** port. And some **MONITOR** ports are RJ45 jacks with integrated LEDs that display line status and line speed of each port as deciphered in the The LED Display Code table. The LED is flashing green when data is passed from the respective **MONITOR** device to the **MONITOR** port.

***VS-1028 SPAN and In-Line Application*** — shown in **Figure 25**, focuses on a typical VERSAstream™ VS-1028 Multi-Link Aggregator deployed to gain complete visibility into your SPAN and In-Line environments combining traffic from up to 8 different segments and outputting the aggregated data to two connected monitoring devices. Monitoring or analyze with multi-segment aggregation means less deployment and maintenance costs. This VS-1028 is similar to other VERSAstream™ Multi-link series installations:

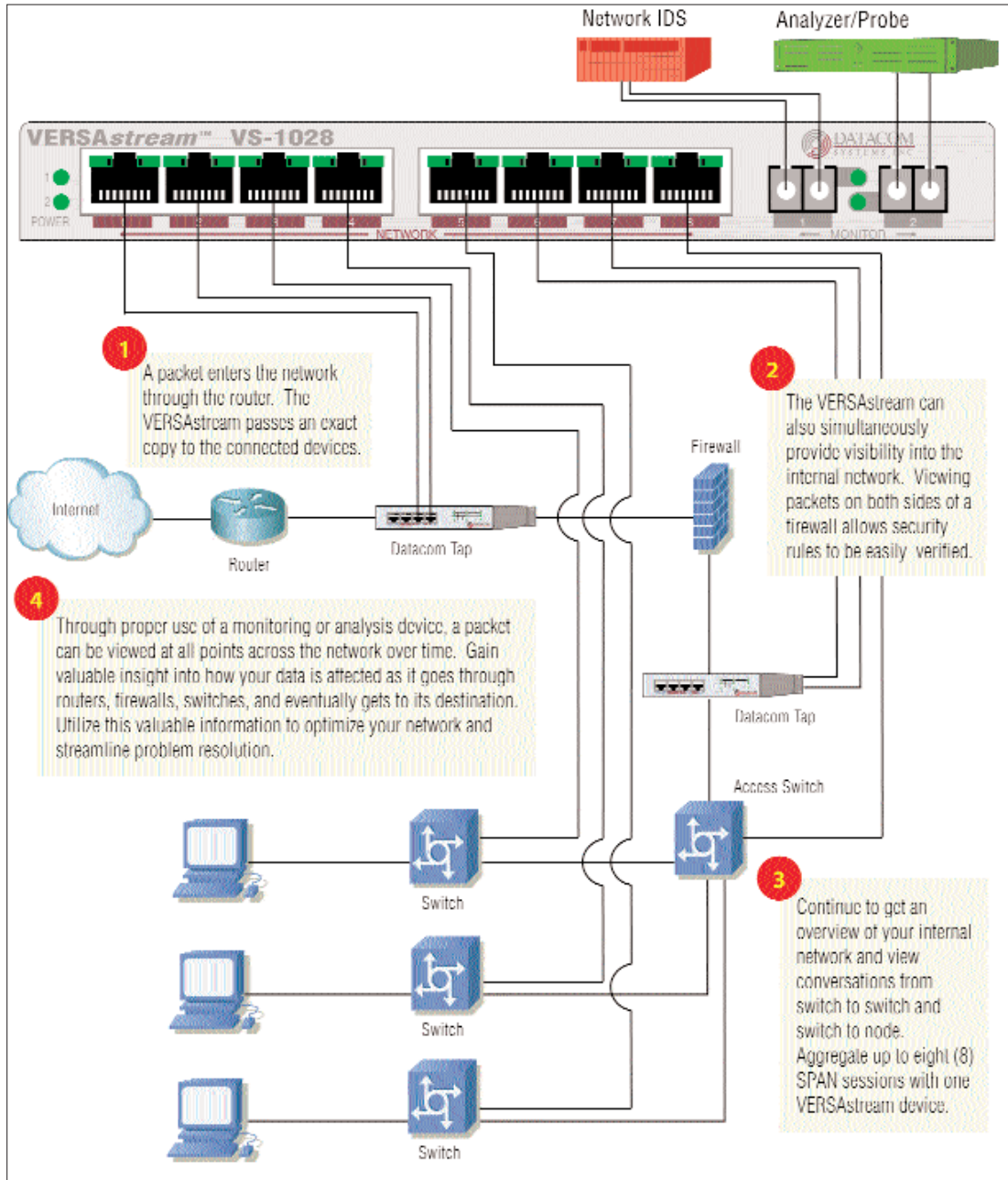



Figure 25 - VS-1028 SPAN and In-Line Application

## SPAN and Multi-Link Aggregators/Regenerators • USERguide

To connect the VERSAstream™ VS-1028 Multi-link Series aggregator/regenerator, refer to **Figure 25** and follow these steps:

1. Two power supplies are provided. Use of the second power supply is strongly recommended to assure uninterrupted monitoring. Connect both power supply barrel connectors into the power 1 and 2 ports, respectively, of the VERSAstream™. Plug the power supplies into the external power source, furthermore, connecting the second power supply to a different external power source circuit than the first power supply eliminates power as a single point of failure. The **POWER 1** and **2** LEDs illuminate indicating **POWER 1** and **2**, respectively, are on. Either LED not illuminated indicates a defective power source and immediate replacement is required to insure redundant power integrity.
2. Connect network cables to the VERSAstream™ **NETWORK** RJ45 ports. The **NETWORK** RJ45 Link LED is solid green indicating link has been established between the respective **NETWORK** port and network device. The LED Display Code table deciphers the RJ45 jacks with integrated LEDs that display line status and line speed of each port. The LED is flashing green when data is passed from the respective network device to the network port.

LED Display Code			
Code	Left LED	WITH LINK OR DATA Right LED	Code
Link	Solid Green	Green	1,000 Mbs
Data	Flashing Green	Orange	100 Mbs
		OFF	10 Mbs



3. Connect analysis devices to the VERSAstream™ **MONITOR** ports. Two DRL494–2m cables are provided to connect analysis SC ports to the **MONITOR** duplex-LC ports. The LED associated with each duplex-LC jack indicates when light signal has been detected on the respective Rx **MONITOR** port.

**NOTE:** For other typical application installations of VERSAstream™ Multi-link aggregator/regenerator series models, some **NETWORK** ports are duplex-LC jacks with associated LEDs that indicate when light signal has been detected on the respective Rx **NETWORK** port. And some **MONITOR** ports are RJ45 jacks with integrated LEDs that display line status and line speed of each port as deciphered in the The LED Display Code table. The LED is flashing green when data is passed from the respective **MONITOR** device to the **MONITOR** port.

**VS-1610 kit Application** — shown in **Figure 26**, focuses on a typical VERSAstream™ VS1610 kit (Two VS-1610s mounted in RMC-2 Rack Mount Chassis and daisy-chained together) Multi-Link Aggregator deployed. This VS-1610 kit is similar to the VS-1412 kit VERSAstream™ Multi-link series installation:

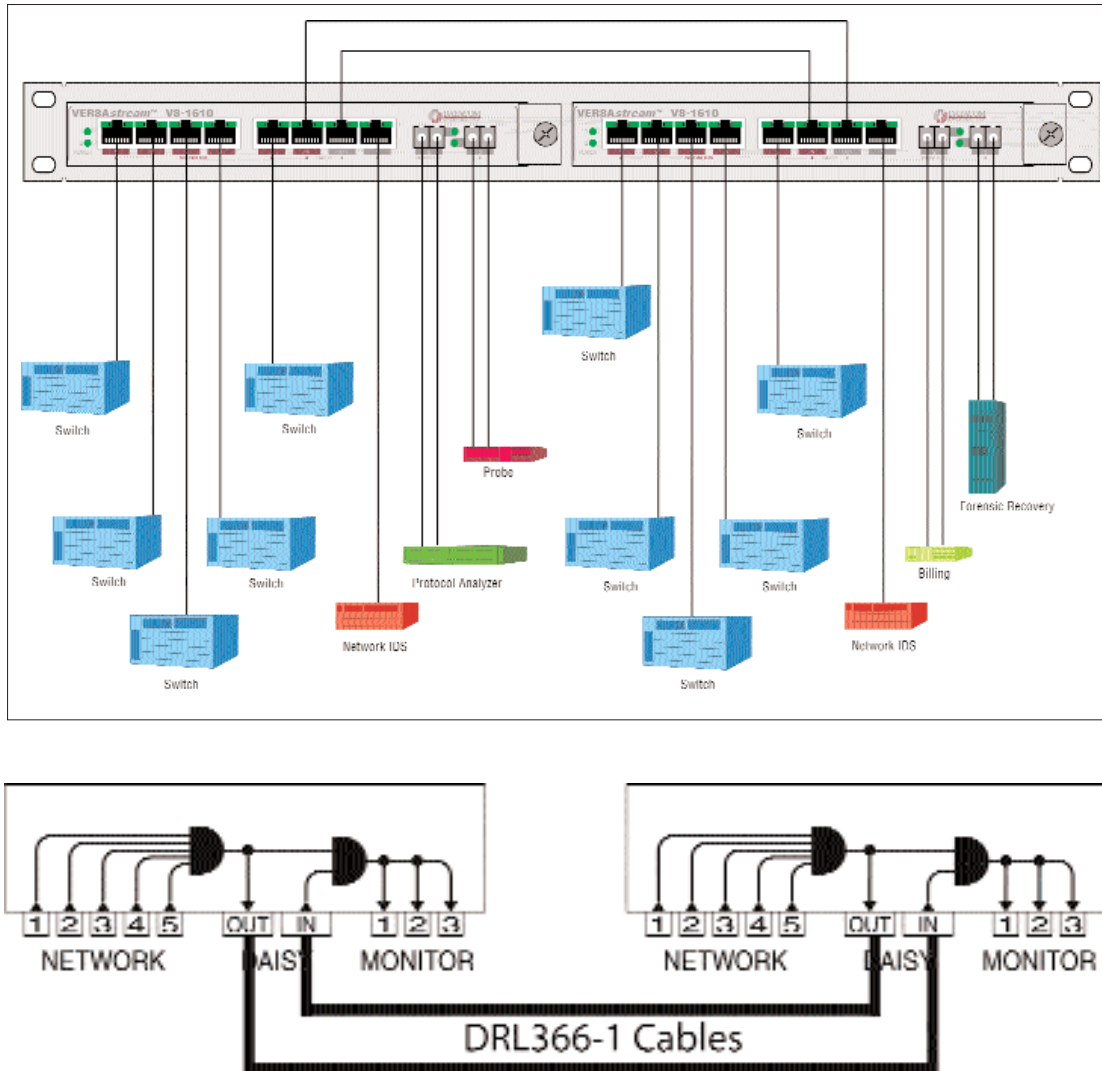



Figure 26 - VS1610 kit Typical Application and functional diagram

To connect the VERSAstream™ VS1610 kit Multi-link Series aggregator/regenerator, refer to **Figure 26** and follow these steps:

1. Two power supplies are provided. Use of the second power supply is strongly recommended to assure uninterrupted monitoring. Connect both power supply barrel connectors into the power 1 and 2 ports, respectively, of the VERSAstream™. Plug the power supplies into the external power source, furthermore, connecting the second power supply to a different external power source circuit than the first power supply eliminates power as a single point of failure. The **POWER 1** and **2** LEDs illuminate indicating **POWER 1** and **2**, respectively, are on. Either LED not illuminated indicates a defective power source and immediate replacement is required to insure redundant power integrity.
2. Connect network cables to the VERSAstream™ **NETWORK** RJ45 ports. The **NETWORK** RJ45 Link LED is solid green indicating link has been established between the respective **NETWORK** port and network device. The LED Display Code table deciphers the RJ45 jacks with integrated LEDs that display line status and line speed of each port. The LED is flashing green when data is passed from the respective network device to the network port.

LED Display Code				
Code	Left LED		WITH LINK OR DATA Right LED	Code
Link	Solid Green		Green	1,000 Mbs
Data	Flashing Green		Orange	100 Mbs
			<b>OFF</b>	10 Mbs

3. Connect analysis devices to the VERSAstream™ **MONITOR** ports. Two DRL494–2m cables are provided to connect analysis SC ports to the **MONITOR** duplex-LC ports. The LED associated with each duplex-LC jack indicates when light signal has been detected on the respective Rx **MONITOR** port. The **MONITOR** RJ45 ports with integrated LEDs display line status and line speed of each port as deciphered in the The LED Display Code table. The LED is flashing green when data is passed from the respective **MONITOR** device to the **MONITOR** port.
4. Two DRL366-1 cables are provided, connect one DRL366-1 cable from the **DAISY OUT** port of one VERSAstream™ unit to the **DAISY IN** port of the second VERSAstream™ unit. Connect the other DRL366-1 cable from the **DAISY IN** port of the first unit to the **DAISY OUT** port of the second unit.





## *Customer Service*

This *USERguide* was written to help you get to know your new SINGLEstream™ Link Aggregation Taps quickly and easily. We would welcome any comments or suggestions you may have regarding this *USERguide*. Please send your remarks and recommendations via mail, telephone, facsimile, or Internet E-mail.

Datacom Customer Service personnel are available from 8:30 AM to 5:30 PM Eastern time, weekdays. Customer Service is available via telephone, facsimile, and Internet E-mail. Outside of support hours, please leave a voice message and our Customer Service Staff will return your call as soon as possible.

**Mail:** Datacom Systems, Inc.  
Customer Service  
9 Adler Drive  
East Syracuse, NY 13057-1290

**Tel:** (315) 463-9541

**FAX:** (315) 463-9557

**E-mail:** support@datacomsystems.com

## *World Wide Web*

You can obtain additional information about Datacom Systems, Inc. and its products and services from the World Wide Web at <http://www.datacomsystems.com>.

## *Warranty*

Datacom Systems, Inc. (DSI) warrants that the hardware which it supplies will be free from significant defects in materials and workmanship for a period of two years from the date of delivery (Warranty Period), under normal use and conditions. In the event of any such defect, you can return an item of defective hardware, freight prepaid, to DSI during the Warranty Period, and DSI will repair or replace the defective equipment and return it to you, freight prepaid. If DSI determines that the equipment is not defective, it will return it to you, freight collect. DSI shall have no responsibility for any deficiency resulting from accidents, misuse, modifications, power disturbances (including use of a power supply not specified by DSI), or various other forms of disaster, e.g., earthquakes, floods, etc.

***PLEASE DO NOT ATTEMPT TO RETURN ANY ITEM PRIOR TO RECEIVING A RETURN MATERIAL AUTHORIZATION (RMA) NUMBER FROM DATACOM CUSTOMER SERVICE AT (315) 463-9541***

## *Limitation On Liability*

The warranties set forth above are exclusive and in lieu of all other warranties. Datacom Systems, Inc. (DSI) makes no other warranties, expressed or implied, and DSI expressly disclaims all other warranties, including but not limited to implied warranties of merchantability and fitness for a particular purpose. Moreover, the provisions set forth above state DSI's entire responsibility and your sole and exclusive remedy with respect to any breach of warranty or contract.

No liability for consequential damages. Under no circumstances and under no theory of Liability shall DSI be liable for costs of procurement of substitute products or services, lost profits, lost savings, loss of information or data, or any other special, indirect, consequential or incidental damages, arising in any way out of the sale of, use of, or inability to use, any DSI product or service, even if DSI has been advised of the possibility of such damages.

---

**SPAN and Multi-Link Aggregators/Regenerators • USERguide**



[www.datacomsystems.com](http://www.datacomsystems.com)

## Free Manuals Download Website

<http://myh66.com>

<http://usermanuals.us>

<http://www.somanuals.com>

<http://www.4manuals.cc>

<http://www.manual-lib.com>

<http://www.404manual.com>

<http://www.luxmanual.com>

<http://aubethermostatmanual.com>

Golf course search by state

<http://golfingnear.com>

Email search by domain

<http://emailbydomain.com>

Auto manuals search

<http://auto.somanuals.com>

TV manuals search

<http://tv.somanuals.com>