



DLL2020
User's Manual



DLL2020
USER'S MANUAL





DATALOGIC S.p.A.
Via Candini 2
40012 - Lippo di Calderara di Reno
Bologna - Italy

DLL2020 User's Manual

Ed.: 11/2003

ALL RIGHTS RESERVED

Datalogic reserves the right to make modifications or improvements without prior notification.

Datalogic shall not be liable for technical or editorial errors or omissions contained herein, nor for incidental or consequential damages resulting from the use of this material.

Product names mentioned herein are for identification purposes only and may be trademarks and or registered trademarks of their respective companies.

© Datalogic S.p.A. 2001 - 2003

820000884 (Rev. D)

CONTENTS

	INTRODUCTION	v
	COMPLIANCE	vi
	FCC	vi
	Warranty	vi
1	GETTING STARTED	1
1.1	Unpacking the DLL2020.....	1
1.2	Available Models.....	2
1.3	Scanning Bar Codes with the DLL2020.....	3
1.4	Scanner Labelling.....	5
1.5	Maintaining the Scanner.....	7
1.6	Controlling the Scanner from the POS System.....	8
2	INSTALLING THE DLL2020	9
2.1	Connecting the Scanner.....	9
2.1.1	RS232 Direct Power.....	10
2.1.2	Keyboard Wedge Direct Power.....	10
2.2	Interface Selection.....	11
3	CONFIGURATION	13
3.1	Change Scanner Settings.....	13
3.2	Factory Default Settings.....	14
3.3	Default Message Format.....	15
3.4	Editing Commands.....	16
3.5	RS232.....	17
	RS232 Presets.....	17
3.6	Keyboard Wedge.....	19
	PC/Terminal Type.....	19
	Keyboard Nationality.....	20
3.7	Operating Parameters.....	22
3.8	Code Selection.....	24
3.9	Data Formatting.....	27
	Pre-defined Terminators.....	27
	Code Identifiers.....	28

A	CONNECTOR AND PIN DEFINITIONS	30
B	TECHNICAL FEATURES.....	31
C	TROUBLESHOOTING	33

INTRODUCTION

The Datalogic DLL2020 is a high performance omni-directional scanner, which provides optimal scanning conditions.

Together with its compact and ergonomic design, operator fatigue and other discomforts are less than any competitive omni-directional scanner. These characteristics make the DLL2020 especially suitable for installation in small counters such as in drugstores, pharmacies, department stores, tobacconists, kiosks, petrol stations, and convenience stores.

The omni-directional scan field of the DLL2020 generates a scan pattern of 16 lines, ensuring high performance scanning. Featuring an unequalled scan rate of 800 scans per second, the DLL2020 is an aggressive scanner.

Barcodes are read simply on presentation to the scanner window. However, the ergonomic design of DLL2020 rubber sleeve, which fits naturally in the hand, makes the unit easy to pick up when larger or heavier products have to be scanned.

The scanner can be installed 'free-standing' on a counter surface using its protective rubber sleeve or without the sleeve, flush or surface fixed to check-out furniture, making for a very neat installation.

This manual contains three chapters and three appendices. The first chapter describes the DLL2020 scanner, its general features as well as the way in which it can be used. The precise instructions for installing the scanner are listed in the second chapter. Default settings can be changed using the bar code labels in chapter 3 "Configuration". Appendix A shows the connector types of the scanner. Technical specifications of the DLL2020 can be found in Appendix B. Refer to Appendix C for troubleshooting if the scanner is not working properly.

COMPLIANCE

FCC

This equipment has been tested and found to comply with the limits for a Class B digital device, pursuant to EN55022, and with the limits for a class A digital device, pursuant part 15 of the FCC rules. These limits are designed to provide reasonable protection against harmful interference when the equipment is operated in a commercial environment. This equipment generates, uses, and can radiate radio frequency energy and, if not installed and used in accordance with the user's manual, may cause harmful interference to radio communications. Operation of the equipment in a residential area is likely to cause harmful interference in which case the user will be required to correct the interference at his own expense. Any unauthorized changes or modifications to this equipment could void the user's authority to operate this equipment.

For CE-countries:

- The DLL2020 is in conformity with the CE standards.

For USA & Canada:

- To be used with UL listed and CSA certified computers/POS systems.
- À utiliser avec des ordinateurs/systèmes POS enregistrés UL/certifiés CSA.

Radio and Television Interference

Operation of this equipment in a residential area can cause interference to radio or television reception. This can be determined by turning the equipment off and on. The user is encouraged to try to correct the interference by one or more of the following measures:

- Re-orientate the receiving antenna
- Relocate the device with respect to the receiver
- Move the device away from the receiver
- Plug the device into a different outlet in order to have the device and receiver on different branch circuits.

WARRANTY

Datalogic warranties this product against defects in workmanship and materials, for a period of 24 months from the date of shipment, provided that the product is operated under normal and proper conditions.

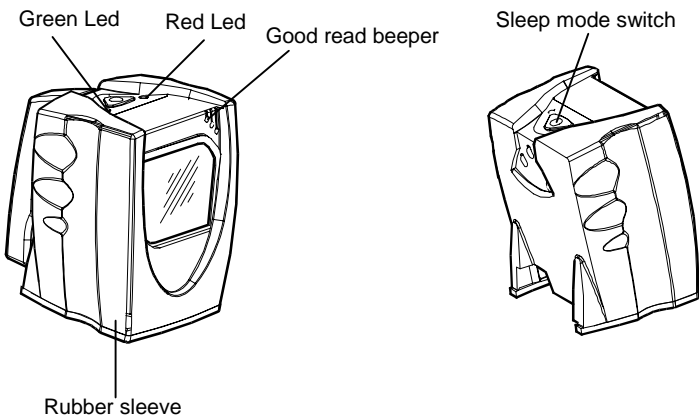
Datalogic has the faculty to repair or replace the product, these provisions do not prolong the original warranty term.

The warranty does not apply to any product that has been subject to misuse, accidental damage, unauthorized repair or tampering.

1 GETTING STARTED

1.1 UNPACKING THE DLL2020

Take the scanner and its accessories out of the box and remove all packing materials. Refer to the packing list in order to ensure that you have received all the items ordered. Visually inspect the scanner and accessories for any visible traces of damage. Refer to the figure in paragraph 1.4 to locate the interface label and verify if the scanner interface corresponds with the host system interface. Immediately contact your supplier if anything appears to be damaged, or if the supported interface does not correspond with the host system interface.



The various parts of the DLL2020 are:

Sleep mode switch: If a sleep mode time-out has been programmed, the scanner can be reactivated by pressing this switch. The sleep-mode feature can be programmed using the Software Configuration Guide part number 90ACC1620.



NOTE

The default value for the sleep mode time-out is set to 30 minutes. When the scanner is in sleep mode, the LED is intermittently flashing red.

Red LED: The red LED indicates that the scanner is ready to read a bar code.

Green LED: The green LED indicates a good read.

Good read beeper: The beeper sounds whenever data have been correctly read. The frequency can be adjusted using the Software Configuration Guide part number 90ACC1620.

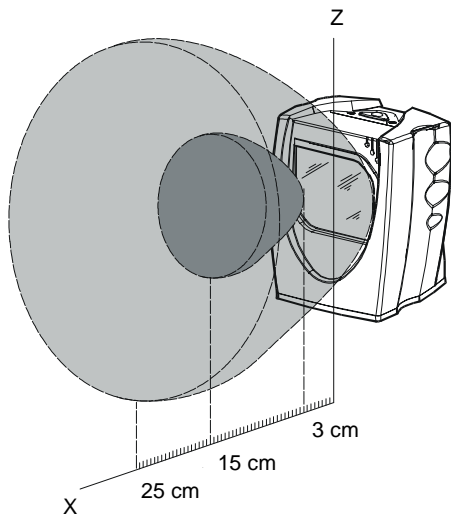
Rubber sleeve: A rubber sleeve encloses the scanner. The sleeve protects the scanner, and takes care that it does not slide when installed 'free-standing' on a counter surface. Furthermore, its ergonomic design makes the unit easy to pick up; it fits naturally in the hand.

1.2 AVAILABLE MODELS

The following two models are available:

- DLL2020, standard model
- DLL2021, with single line option (see par. 3.7 for details).

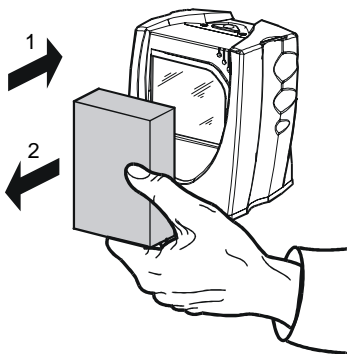
1.3 SCANNING BAR CODES WITH THE DLL2020



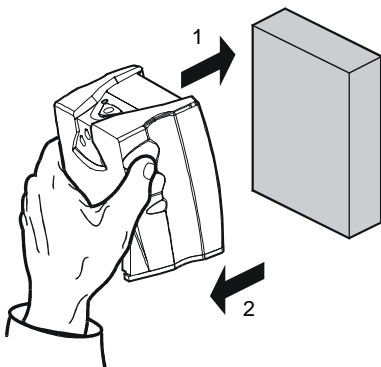
The DLL2020 is an omnidirectional scanner featuring a 4-directional scan field with a 16-line scan pattern. Bar codes can easily be read by presenting them to the scanner. The scan volume is illustrated in the figure above. The optimal reading zone lies between 3 and 15 cm from the scanner window. However, bar codes can still be read up to 25 cm (10 inches) from the scanner window.

The DLL2020 scanner can be used **handsfree** as well as **hand held**, e.g.:

- a) Handsfree scanning by presenting the item to the scanner.



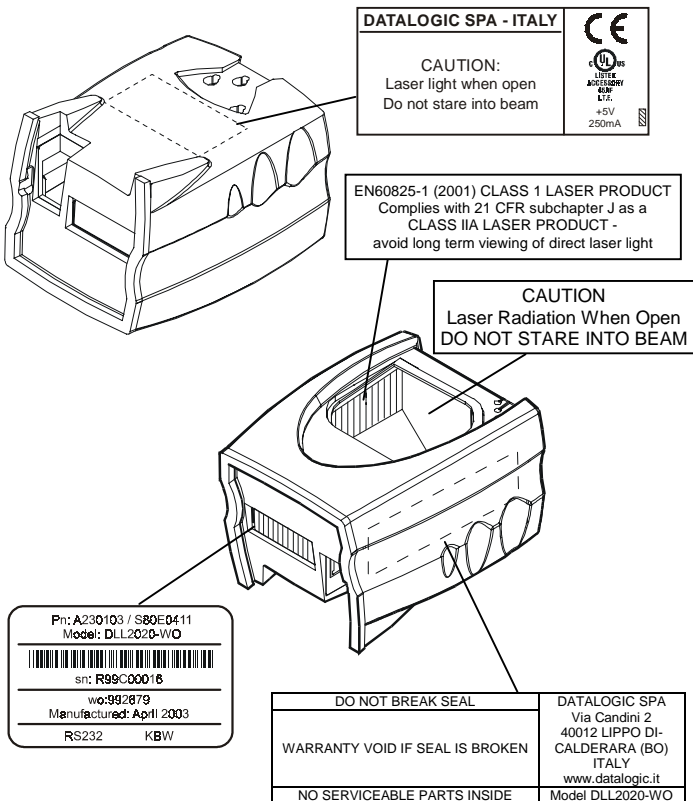
- b) You can also hold the scanner.



1.4 SCANNER LABELLING

There are four labels on the scanner. The first three labels can be found on the housing of the DLL2020, as indicated in the figures below. The fourth label is visible through the scanner window.

All the labels have been attached by the manufacturer and should in no case be removed.



The scanner's serial number can be found under the bar code label. This official registration number is strictly related to the device. The supplier may ask for this number when the scanner needs servicing.

Laser safety

English:

The DLL2020 scanner complies with safety standard EN60825-1 (2001) for a Class 1 laser product. It also complies with U.S. 21CFR1040 as applicable to a Class IIa laser product. Avoid long term viewing of direct laser light.

German:

Der Strichcode-Scanner DLL2020 entspricht den Sicherheitsvorschriften nach EN60825-1 (2001) für ein Laserprodukt der Klasse 1. Er entspricht auch U.S. 21CFR1040, anwendbar auf ein Laserprodukt der Klasse IIa. Vermeiden Sie langzeitiges Hineinblicken in direktes Laserlicht.

French:

Le scanner DLL2020 est conforme aux normes de sécurité EN60825-1 (2001) s'appliquant à un produit laser de la classe 1. Il est également conforme à la U.S. 21CFR1040 telle qu'elle s'applique à un produit laser de la classe IIa. Eviter de rester exposé longtemps à la lumière directe du laser.

Italian:

Lo scanner DLL2020 è conforme alle norme di sicurezza EN60825-1 (2001) relative ad un prodotto laser di Classe 1. È inoltre conforme alla norma U.S. 21CFR1040 relativa ad un prodotto laser di Classe IIa. Evitare l'esposizione prolungata all'emissione diretta di luce laser.

Spanish:

El scanner DLL2020 reúne las normas de seguridad EN60825-1 (2001) para un producto laser de Clase 1. Y también reúne las normas U.S. 21CFR1040 que se aplican a un producto laser de Clase IIa. Se debe evitar mirar muy fijo en luz láserica directa.

Optical The use of optical instruments with this product will increase eye hazard. Optical instruments include binoculars, microscopes and magnifying glasses but do not include eye glasses worn by the user.

Radiant Energy The DLL2020 uses a low-power laser diode operating at 650 nm in an opto-mechanical scanner resulting in less than 0.7 mW peak output power.

Laser light observed at 15.0 cm (5.9 inch) above the window through a 7 mm (0.28 in.) aperture and averaged over 1000 seconds is less than 3.9 μ W per CDRH Class IIa specification. Do not attempt to remove the protective housing of the scanner, as unscanned laser light with a peak output up to 0.90 mW could be accessible inside.

Laser Light Viewer The scanner window is the only aperture through which laser light may be observed on this product.

A failure of the scanner motor, while the laser diode continues to emit a laser beam, may cause emission levels to exceed those for safe operation.

The scanner has safeguards to prevent this occurrence. If, however, a stationary laser beam is emitted, the failing scanner should be disconnected from its power source immediately.

Adjustments Do not attempt to make any adjustments to or alteration of this product. Do not remove the scanner's protective housing. There are no user-serviceable parts inside.



CAUTION

Use of controls or adjustments or performance of procedures other than those specified herein may result in hazardous laser light exposure.

1.5 MAINTAINING THE SCANNER

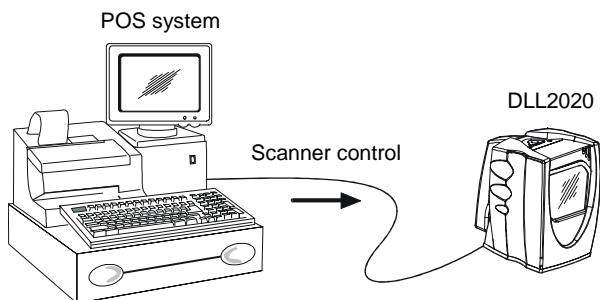
The DLL2020 scanner requires little maintenance. Only occasional cleaning of the scanner window is necessary in order to remove dirt and fingerprints. The scanner can be cleaned during operation. To this end use a non-abrasive glass spray cleaner and a soft lint-free cloth only.

1.6 CONTROLLING THE SCANNER FROM THE POS SYSTEM

The DLL2020 can be controlled from the POS system via the RS232 interface. Controlling is accomplished by transmitting the following single-byte commands to the scanner. In the Datalogic default setting the following commands are available (more details upon request):

Command	Description	Hex.
Ctrl - E	Power-up re-initialization	05 Hex
Ctrl - N	Enable decoding	0E Hex
Ctrl - O	Disable decoding	0F Hex
Ctrl - R	Sleep	12 Hex
Ctrl - T	Wake	14 Hex

When the scanner decoding is disabled, the scanner motor will remain switched-on until the scanner goes into sleep mode.



2 INSTALLING THE DLL2020

2.1 CONNECTING THE SCANNER

This chapter describes the instructions necessary for installing the DLL2020 scanner.

Due to many POS systems on the market, a large number of communication cables is available. Make sure that you have the right cable to connect the scanner to your POS or computer.

**NOTE**

The scanner and the host system must be switched off before starting the installation of the scanner. By following this precaution you prevent any electrical damage.

You are advised to install the scanner in an air circulated place out of direct sunlight.

Follow these steps carefully in order to install the scanner:

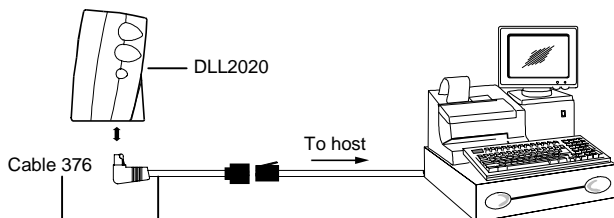
1. Locate the optimal scanner position in relation to the counter surface.
Pay attention to the product flow, the distance to the counter edge and convenience for the operator.
2. You have two options to connect the scanner to your POS or computer.

2.1.1 RS232 Direct Power

For those systems which supply electrical power on the serial port (minimal requirements: +5 V dc, 250 mA), the following setup is applicable.

Plug the cab 376 into the scanner port until a firm 'click' is heard.

Connect the serial cable to the cab 376 and the other end to the appropriate serial port of your POS or computer.

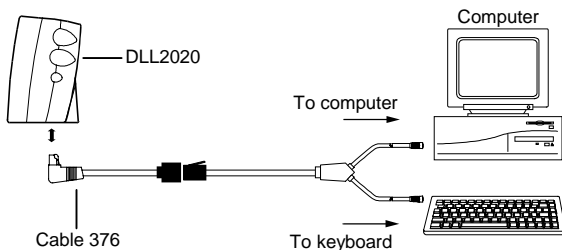


2.1.2 Keyboard Wedge Direct Power

For those systems which supply electrical power on the keyboard port (minimal requirements: +5 V dc, 250 mA), the following setup is applicable.

Plug the cab 376 into the scanner port until a firm 'click' is heard.

Connect the wedge cable to the cab 376 and the other end to the keyboard.



2.2 INTERFACE SELECTION

To select the scanner interface scan the following codes:

1. read the "Enter/Exit and Save Programming Mode" code;
2. scan **either** "RS232 default" code **or** "Keyboard Wedge default" code.



NOTE

RS232 is the factory default interface.

Enter/Exit and Save Programming Mode



RS232 Default



Programming Mode is closed after scanning this code.

Keyboard Wedge Default

Programming Mode is closed after scanning this code.

3 CONFIGURATION

**NOTE**

The present manual provides information on how to set the DLL2020 reader in operation, as well as to set up its basic configuration parameters.

Additional customized configurations are also available by changing basic parameters: please refer to the Software Configuration Manual (Part No. 90ACC1620) for a complete list of codes and procedures.

3.1 CHANGE SCANNER SETTINGS

In order to change the scanner settings please follow the sequence below:

1. **Enter** the scanner Programming Mode by scanning the Enter/Exit code (see par. 3.4);
2. **Change Scanner Settings** by scanning the desired codes from par. 3.5 to par. 3.9.
3. **Exit** the scanner Programming Mode by scanning the Enter/Exit code in par. 3.4.

Reading the **Enter/Exit** code in par. 3.4 gives a double tone beep (Low High).

Example:

For changing the keyboard to German the following codes must be scanned successively:

"Enter/Exit and Save Programming Code", "German", "Enter/Exit and Save Programming Code".

After reading a valid configuration barcode in Programming Mode the scanner will give a High beep.

The scanner will generate a Low beep after receiving an unexpected code.

At any moment (in Programming Mode) you can scan the "Return to Factory Default Settings" code to return to default settings.

3.2 FACTORY DEFAULT SETTINGS

Configuration Field	Default Setting
Sleep Mode Sleep mode	After 30 minutes
Scanner Timing Same code delay	600 msec
RS232 Baudrate Parity Data bits Stop bits RTS/CTS Terminator	9600 None 8 2 Off <CR>
Keyboard Wedge PC Terminal type Keyboard Caps Lock Intercharacter delay Terminator	PC/AT International (Alt method) OFF 2 msec Enter (Alphanumeric)
Operating Parameters	
Freeze Frame	disabled
Single Line(DLL2021 models only)	disabled
Code Selection EAN/UPC Code 128/EAN 128 Code 39 Code 32 Codabar Interleaved 2/5	On (ADD ON not sent) Off Off Off Off Off
Code Length Min. length Interleaved 2/5	8
Data Formatting Code Identifiers	Off

3.3 DEFAULT MESSAGE FORMAT

Code	Message Format
EAN13	D1 D2 D3 D4 D5 D6 D7 D8 D9 D10 D11 D12 D13
EAN8	D1 D2 D3 D4 D5 D6 D7 D8
UPCA	D1 D2 D3 D4 D5 D6 D7 D8 D9 D10 D11 D12
UPCE	D1 D2 D3 D4 D5 D6 D7
Code 128	D1 - Dx
EAN 128]C1 D1 - Dx
Code 39	D1 - Dx
Code 32	D1 - Dx
Codabar	D1 - Dx
Interleaved 2/5	D1 - Dx

**NOTE**

EAN/UPC codes with ADD ON are transmitted without a separator.

3.4 EDITING COMMANDS

Enter/Exit and Save Programming Mode



Restore Factory Default



Return to Custom Default Settings



3.5 RS232

RS232 Presets

Each of the following barcode selections enable a complete preset parameter configuration for correct use with the respective POS Terminal.

The scanner must first be set with the RS232 interface selection (see par.2.2).

Wincor Nixdorf Beetle Mode A1



Wincor Nixdorf Beetle Mode A2



Wincor Nixdorf Beetle Mode B1



Wincor Nixdorf Beetle Mode B2**Wincor Nixdorf Beetle Mode B3****ICL Mode****Fortronic (UK) Mode**

3.6 KEYBOARD WEDGE

PC/Terminal Type

PC/XT



PC/AT (Default)



PC PS2



IBM 347 x terminals



IBM 3179 x terminal**Keyboard Nationality****International Keyboard (ALT Method)(Default)****US****UK**

French**German****Spanish**

3.7 OPERATING PARAMETERS

Scanning Mode

Two different options are available to define the scanning mode:

- Freeze Frame mode;
- Single Line mode;

Before reading the code enabling the desired mode it is necessary to read the following code starting the procedure:



Freeze Frame Mode

The Freeze Frame mode is a special trigger mode allowing to aim the laser pattern on the code before reading.

To work in this mode:

1. Press the DLL2020 trigger. The laser pattern starts blinking but the scanner does not read the code;
2. Move the scanner towards the barcode (zoom-in);
3. Release the scanner trigger to read the barcode.



Single Line Mode (DLL2021 only)

The single line option allows temporarily switching from full scan pattern to a single scan line preventing the wrong barcode to be read. This feature is especially helpful on sheets or products where multiple barcodes are printed.

To use this option proceed as follows:

1. Press the button on top of the scanner to switch from the full scan pattern to a single scan line;
2. Aim the single scan line on the barcode to be scanned while holding the button;
3. Make the line to completely cross the barcode, then release the button. A beep indicates the barcode has been accepted by the scanner;
4. After successful reading the single line blinks. During the scan line blinking, the scanner will not read a barcode. After one second, the scanner will return to normal mode. If pressing the trigger during the scan line blinking, the single line procedure will start again.



3.8 CODE SELECTION

All EAN/UPC ON (ADD ON not sent) (Default)



All EAN/UPC OFF



Code 128/EAN 128 ON



Code 128/EAN 128 OFF



Code 39 ON**Code 39 OFF****CODABAR ON****CODABAR OFF**

Interleaved 2/5 ON**Interleaved 2/5 OFF**

3.9 DATA FORMATTING

Pre-defined Terminators

To program the terminator string follow the given procedure:

- 1) If not working in Programming Mode, scan the "Enter/Exit and Save Programming Mode" code;
- 2) Choose the desired pre-defined terminator from the list below
- 3) Scan the "Enter/Exit and Save Programming Mode" code OR configure other parameters.

Terminator = CR



Terminator = LF



Terminator = CR + LF



Code Identifiers

A code identifier is a data string, giving information to the host system concerning the barcode type that has been read. After scanning the "Enable Default Code Identifiers" code, the scanner is configured to transmit data according to the following format:

CODE	CODE IDENTIFIER	MESSAGE FORMAT
EAN13	F	D1 D2 D3 D4 D5 D6 D7 D8 D9 D10 D11 D12 D13
EAN8	FF	D1 D2 D3 D4 D5 D6 D7 D8
UPCA	A	D1 D2 D3 D4 D5 D6 D7 D8 D9 D10 D11 D12
UPCE	E	0 D1 D2 D3 D4 D5 D6
Code 128	#	D1 Dx
EAN 128	P]C1 D1 Dx
Code 39	*	D1 Dx
Code 32	*	D1 Dx
Codabar	%	D1 Dx
Interleaved 2/5	i	D1 Dx



NOTE

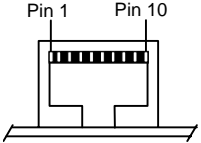
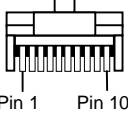
The UPCE format will be changed. The scanner will transmit UPCE codes with leading 0 and without check digit.

To return to the default format without code identifiers read the "Disable Code Identifiers" code.

Enable Default Code Identifiers**Disable Code Identifiers**

A CONNECTOR AND PIN DEFINITIONS

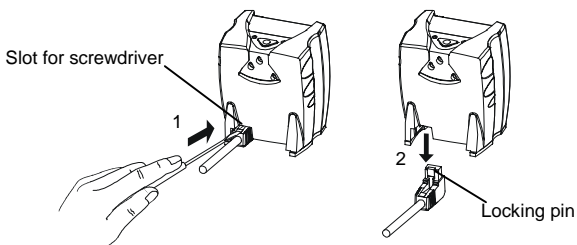
The DLL2020 has a dual interface: RS232/Keyboard Wedge. The pin definition for the scanner port and the connector to be used for the port are shown in the connection diagram below.

 <p>RJ-48 PCB (front view)</p>	PIN	DESCRIPTION	 <p>RJ-48 Cable-connector (front view)</p>	
	1	PC - CLOCK		
	2	CTS		
	3	RXD		
	4	TXD		
	5	RTS		
	6	GND		
	7	+5V		
	8	KB - DATA		
	9	KB - CLOCK		
Scanner port	10	PC - DATA	10 pin connector	



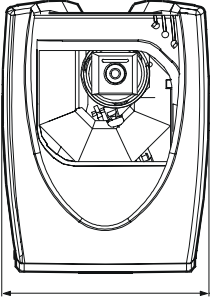
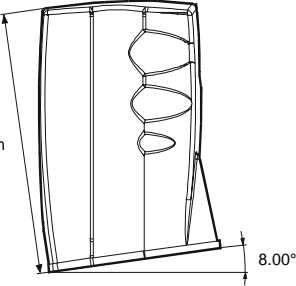
NOTE

Use approved Datalogic cables only.



B TECHNICAL FEATURES

Electrical Features	
Input power to scanner	+5 Vdc to +5.25 Vdc, 250 mA
Dual interface	RS232/Keyboard Wedge
Adapter Cable	Cab 376
Optical Features	
Light source	Visible laser diode (650 nm)
Depth of field	250 mm
Scan pattern	4 directions, 16 lines
Scan rate	800 scans/seconds
Decoding Features	
Barcode types	EAN/UPC/JAN + Add ON Code 128, EAN 128, Code 39, Code 32, Codabar, ITF

Physical Features	
Weight	0.3 kg
Dimensions (L x W x D)	100 x 80 x 60 mm 3.9 x 3.1 x 2.4 in
<div style="display: flex; justify-content: space-around; align-items: flex-start;"> <div style="text-align: center;"> <p>Front view</p>  <p>78.2 mm</p> </div> <div style="text-align: center;"> <p>Side view</p>  <p>98.8 mm</p> <p>8.00°</p> </div> </div>	
Environmental Features	
Operating Temperature	0° to + 40 °C
Humidity	0% to 95% RH (non-condensing)
Safety Features	
Laser safety	EN60825-1 (2001) class 1, U.S. 21CFR1040 Class IIa
Electrical safety	EN 60950 second edition UL1950 (third edition), c-UL (according CSA22.2.950-95)
EM Compatibility	
Radio and TV interference	EN 55022 Class B (1994), FCC part 15 Class A (1992)
Harmonic current emissions	EN 61000-3-2 (1995)
EM-immunity	EN 50082-1 (1992) based on:
ElectroStatic Discharge (ESD)	IEC 801-2 (1991)
Radio frequency immunity	IEC 801-3 (1984) / ENV 50140 (1993)
Electrical fast transient	IEC 801-4 (1998)

C TROUBLESHOOTING

Problem	Diagnostic Tips
The scanner is on but a barcode cannot be read. The LED is red.	<ul style="list-style-type: none"> • The scanner window is dirty. Clean the scanner window as described in the Maintenance section. • The presented barcode type is not enabled. Select the barcode type with the Configuration Guide. • The scanner is disabled by the host. Refer to par. 1.6. • The barcode type you presented to the scanner is not supported by DLL2020.
The scanner is on, but the motor is not rotating. A barcode cannot be read. The LED is intermittently flashing red.	<ul style="list-style-type: none"> • The scanner is in sleep mode. Press the switch on top of the scanner to reactivate the scanner (or use the wake protocol. Refer to par. 1.6).
The red LED and green LED are alternating.	<ul style="list-style-type: none"> • Mirror motor is defective and must be replaced (Authorized personnel only).
The red LED and green LED are alternating and beeps are heard.	<ul style="list-style-type: none"> • Possible failure of the scanning safeguard circuit. Immediately disconnect the scanner from its power source. Contact your supplier.
The scanner does not accept more than two or three barcodes.	<ul style="list-style-type: none"> • There is no proper handshaking with the host system. Switch the host system on and check connection and communication settings.
Both the red LED and green LED are on.	<ul style="list-style-type: none"> • The laser is not functioning. The laser is defective. Contact your supplier.

Problem	Diagnostic Tips
Both the red LED and green LED are blinking.	<ul style="list-style-type: none">• The ambient temperature is too high. Make sure the scanner has enough air ventilation and is not placed in direct sunlight.
The green LED stays on.	<ul style="list-style-type: none">• The scanner is continuously seeing a barcode. Remove all barcode labels from the scan volume of the scanner and try again.• The scanner cannot send the data to the host system. There is no proper handshaking between the scanner and the host. Scanner buffer is full. Make sure that all cables are connected and your host system is ready to receive data.• The scanner is in test mode. Power off and on the scanner.
A barcode is read by the scanner but not accepted by the host system.	<ul style="list-style-type: none">• The communication cable is not connected to the serial port of your host system. Refer to the manual of your host system to locate the serial port.• The communication settings of the host and scanner do not match. Ensure that the setting value for both devices are the same. For proper adjustment values see the Software Configuration Guide.• The communication cable does not suit your host system. Contact your supplier for the correct communication cable.• The data format is not supported by the software running on the host system.



dichiara che
declares that the
déclare que le
bescheinigt, daß das Gerät
declare que el

DLL202X-XX Presentation Scanner

e tutti i suoi modelli
and all its models
et tous ses modèles
und seine modelle
y todos sus modelos

sono conformi alle Direttive del Consiglio Europeo sottoelencate:
are in conformity with the requirements of the European Council Directives listed below:
sont conformes aux spécifications des Directives de l'Union Européenne ci-dessous:
den nachstehenden angeführten Direktiven des Europäischen Rats:
cumple con los requisitos de las Directivas del Consejo Europeo, según la lista siguiente:

89/336/EEC EMC Directive	e	92/31/EEC, 93/68/EEC	emendamenti successivi
	and		further amendments
	et		ses successifs amendements
	und		späteren Abänderungen
	y		sucesivas enmiendas

Basate sulle legislazioni degli Stati membri in relazione alla compatibilità elettromagnetica ed alla sicurezza dei prodotti.

On the approximation of the laws of Member States relating to electromagnetic compatibility and product safety.

Basées sur la législation des Etats membres relative à la compatibilité électromagnétique et à la sécurité des produits.

Über die Annäherung der Gesetze der Mitgliedsstaaten in bezug auf elektromagnetische Verträglichkeit und Produktsicherheit entsprechen.

Basado en la aproximación de las leyes de los Países Miembros respecto a la compatibilidad electromagnética y las Medidas de seguridad relativas al producto.

Questa dichiarazione è basata sulla conformità dei prodotti alle norme seguenti:

This declaration is based upon compliance of the products to the following standards:

Cette déclaration repose sur la conformité des produits aux normes suivantes:

Diese Erklärung basiert darauf, daß das Produkt den folgenden Normen entspricht:

Esta declaración se basa en el cumplimiento de los productos con las siguientes normas:

EN 55022, August 1994:

LIMITS AND METHODS OF MEASUREMENTS OF RADIO
DISTURBANCE CHARACTERISTICS OF INFORMATION
TECHNOLOGY EQUIPMENT (ITE)

EN 55024, September 1998:

INFORMATION TECHNOLOGY EQUIPMENT, IMMUNITY
CHARACTERISTICS, LIMITS AND METHODS OF
MEASUREMENTS

Lippo di Calderara, 25/06/2001

Ruggero Cacioppo

Quality Assurance Supervisor

Free Manuals Download Website

<http://myh66.com>

<http://usermanuals.us>

<http://www.somanuals.com>

<http://www.4manuals.cc>

<http://www.manual-lib.com>

<http://www.404manual.com>

<http://www.luxmanual.com>

<http://aubethermostatmanual.com>

Golf course search by state

<http://golfingnear.com>

Email search by domain

<http://emailbydomain.com>

Auto manuals search

<http://auto.somanuals.com>

TV manuals search

<http://tv.somanuals.com>