

User's manual

Datalogic DLL2020-W0

Copyright © 1998, Datalogic.

This manual is copyrighted, with all rights reserved. Under the copyright laws, this manual may not, in whole or in part, be copied, photocopied, reproduced, translated or converted to any electronic medium or machine readable form without prior written consent of Datalogic.

Limited Warranty

Under all circumstances this manual should be read attentively, before installing and/or using the product. In no event Datalogic will be liable for any direct, indirect, special, consequential or incidental damages arising out of the use or inability to use this documentation or product, even if advised of the possibility of such damages. In particular, Datalogic shall not be liable for any hardware, software, or data that is stored or used with the product, including the cost of repairing, replacing or recovering the above. Datalogic reserves the right to change parts of the device at any time without preceding or direct announcement to the client.

Datalogic reserves the right to revise this manual, and to make changes in the contents without obligation to notify any person or entity of the revision or change. A serial number appears on the product. Make sure that this official registration number has not been removed. It should be used whenever servicing by Datalogic or an authorized Datalogic dealer is necessary.

Important

This equipment has been tested and found to comply with the limits for a Class B digital device, pursuant to EN55022, and with the limits for a class A digital device, pursuant to part 15 of the FCC rules. These limits are designed to provide reasonable protection against harmful interference when the equipment is operated in a commercial environment. This equipment generates, uses, and can radiate radio frequency energy and, if not installed and used in accordance with the user's manual, may cause harmful interference to radio communications. Operation of the equipment in a residential area is likely to cause harmful interference in which case the user will be required to correct the interference at his own expense. Any unauthorized changes or modifications to this equipment could void the user's authority to operate this equipment.

For CE-countries:

- The DII2020-wo is in conformity with the CE standards.

For USA & Canada:

- To be used with UL listed and CSA certified computers/POS systems.
- À utiliser avec des ordinateurs/systèmes POS enregistrés UL/certifiés CSA.

Radio and television interference

Operation of this equipment in a residential area can cause interference to radio or television reception. This can be determined by turning the equipment off and on. The user is encouraged to try to correct the interference by one or more of the following measures:

- Re-orientate the receiving antenna
- Relocate the device with respect to the receiver
- Move the device away from the receiver
- Plug the device into a different outlet in order to have the device and receiver on different branch circuits

If necessary, the user should consult the manufacturer, an authorized Datalogic dealer or experienced radio/television technician for additional suggestions. The booklet *How to Identify and Resolve Radio-TV Interference Problems*, prepared by the Federal Communications Commission, can be of help. It can be obtained from the U.S. Government Printing Office, Washington, DC 20402, Stock No. 004000003454.

P/N A232001 September '98

Table of contents

Preface		i
Chapter 1	The DLL2020-WO	1
	1.1 Unpacking the DLL2020-WO	2
	1.2 Scanning bar codes with the DLL2020-WO	4
	1.3 Scanner labelling	7
	1.4 Maintaining the scanner	11
	1.5 Controlling the scanner from the POS system	11
Chapter 2	Installing the DLL2020-WO	13
	Installing the scanner	14
Appendices	A. Connector types and pin definitions	22
	B. Technical specifications	23
	C. Troubleshooting	24

Preface

The Datalogic DLL2020-WO is a high performance omni-directional scanner, which provides optimal scanning conditions. The DLL2020-WO shares the same quality of the GOLDRUSH™ polygon and Scantium decoder chip as Datalogic's popular Hunter H-3010, Pollux P-4010 and Castor C-5010 scanners. Together with its compact and ergonomic design, operator fatigue and other discomforts are less than any competitive omni-directional scanner.

These characteristics make the DLL2020-WO especially suitable for installation in small counters such as in drugstores, pharmacies, department stores, tobacconists, kiosks, petrol stations, and convenience stores.

The omni-directional scan field of the DLL2020-WO generates a scan pattern of 16 lines, ensuring high performance scanning. Featuring an unequalled scan rate of 800 scans per second, the DLL2020-WO is an aggressive scanner.

Barcodes are read simply on presentation to the scanner window. However, the ergonomic design of DLL2020-WO rubber sleeve, which fits naturally in the hand, makes the unit easy to pick up when larger or heavier products have to be scanned.

The scanner can be installed 'free-standing' on a counter surface using its protective rubber sleeve or without the sleeve, flush or surface fixed to check-out furniture, making for a very neat installation.

The DLL2020-WO can also be supplied in different colours to match with corporate/-retail designs and schemes thus enhancing the check-out environment even further.

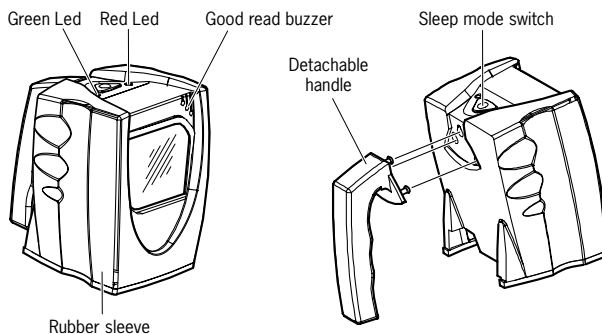
This manual contains two chapters and three appendices. The first chapter describes the DLL2020-WO scanner, its general features as well as the way in which it can be used. The precise instructions for installing the scanner are listed in the second chapter. Default settings can be changed using the bar code labels in the Configuration Guide supplied with the scanner. Appendix A shows the connector types of the scanner. Technical specifications of the DLL2020-WO can be found in Appendix B. Refer to Appendix C for troubleshooting if the scanner is not working properly.

Chapter 1

The DLL2020-WO

1.1 Unpacking the DLL2020-WO

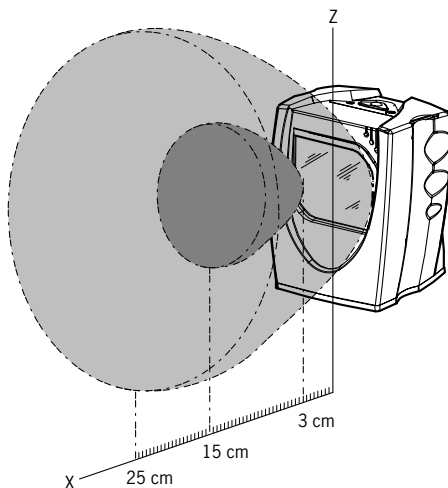
Take the scanner and its accessories out of the box and remove all packing materials. Refer to the packing list in order to ensure that you have received all the items ordered. Visually inspect the scanner and accessories for any visible traces of damage. Refer to the figure in paragraph 1.3 to locate the interface label and verify if the scanner interface corresponds with the host system interface. Immediately contact your supplier if anything appears to be damaged, or if the supported interface does not correspond with the host system interface.



The various parts of the DLL2020-WO are:

- Sleep mode switch** If a sleep mode time-out has been programmed, the scanner can be reactivated by pressing this switch. The sleep-mode feature can be programmed by means of the menu labels in the Configuration Guide.
- NOTE:** The default value for the sleep mode time-out is set to 30 minutes. When the scanner is in sleep mode, the LED is intermittently flashing red.
- Red LED** The red LED indicates that the scanner is ready to read a bar code.
- Green LED** The green LED indicates a good read.
- Good read buzzer** The buzzer sounds whenever data have been correctly read. The frequency can be adjusted by means of the menu labels from the Configuration Guide.
- Rubber sleeve** A rubber sleeve encloses the scanner. The sleeve protects the scanner, and takes care that it does not slide when installed 'free-standing' on a counter surface. Furthermore, its ergonomic design makes the unit easy to pick up; it fits naturally in the hand.
- Detachable handle** A handle can be attached to the scanner, depending on the preference of the user. The handle makes the scanner easy to pick up, in case large or heavy products need to be scanned.

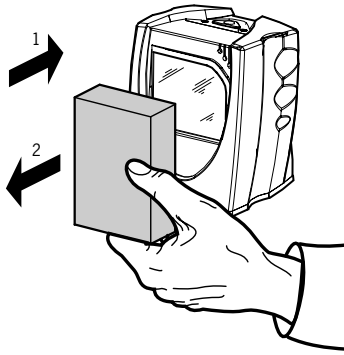
1.2 Scanning bar codes with the DLL2020-WO



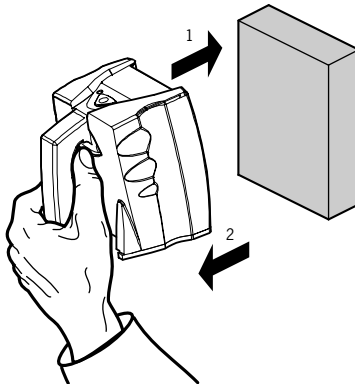
The DLL2020-WO is an omnidirectional scanner featuring a 4-directional scan field with a 16-lines scan pattern. Bar codes can easily be read by presenting them to the scanner. The scan volume is illustrated in the figure above. The optimal reading zone lies between 3 and 15 cm from the scanner window. However, bar codes can still be read up to 25 cm (10 inch) from the scanner window.

The DII2020-wo scanner can be used **handsfree** as well as **hand held**, e.g.:

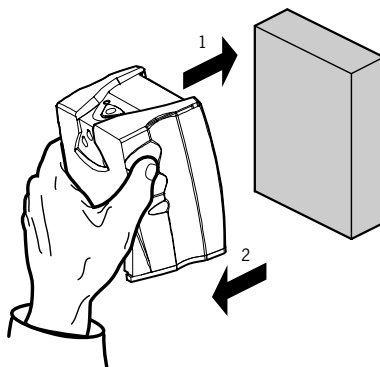
- a) Handsfree scanning by presenting the item to the scanner.



- b) Bar code labels can also be scanned in hand held mode, by taking the scanner by the handle and hold it in front of the bar code label on the product.



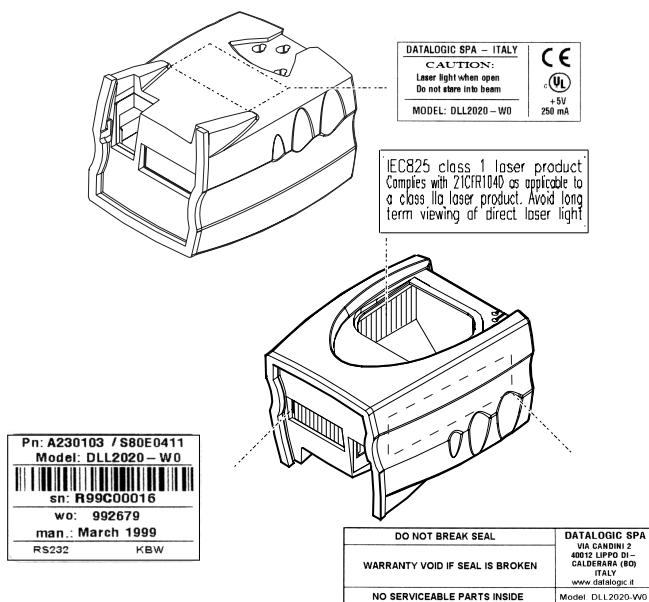
- c) You can also hold the scanner without the handle.



1.3 Scanner labelling

There are four labels on the scanner. The first three labels can be found on the housing of the DLL2020-WO, as indicated in the figures below. The fourth label is visible through the scanner window.

All the labels have been attached by the manufacturer and should in no case be removed.



The scanner's serial number can be found under the bar code label. This official registration number is strictly related to the device. The supplier may ask for this number when the scanner needs servicing.

Laser safety**English:**

The DLL2020-WO scanner complies with safety standard IEC 825-1 (1993) for a Class 1 laser product. It also complies with U.S. 21CFR1040 as applicable to a Class IIa laser product. Avoid long term viewing of direct laser light.

German:

Der Strichcode-Scanner DLL2020-WO entspricht den Sicherheitsvorschriften nach IEC 825-1 (1993) für ein Laserprodukt der Klasse 1. Er entspricht auch U.S. 21CFR1040, anwendbar auf ein Laserprodukt der Klasse IIa. Vermeiden Sie langzeitiges Hineinblicken in direktes Laserlicht.

Dutch:

De DLL2020-WO scanner voldoet aan de veiligheidsnormen IEC 825-1 (1993) voor een Klasse 1 laserprodukt. Tevens voldoet de scanner aan U.S. 21CFR1040, van toepassing op een Klasse IIa laserprodukt. Vermijd langdurig kijken in direkt laserlicht.

French:

Le scanner DLL2020-WO est conforme aux normes de sécurité IEC 825-1 (1993) s'appliquant à un produit laser de la classe 1. Il est également conforme à la U.S. 21CFR1040 telle qu'elle s'applique à un produit laser de la classe IIa. Eviter de rester exposé longtemps à la lumière directe du laser.

Danish:

DLL2020-WO skanneren er i overensstemmelse med sikkerhedsstandarden IEC 825-1 (1993) for laserprodukter i klasse 1. Den er også i overensstemmelse med U.S. 21CFR1040, der gælder for laserprodukter i klasse IIa. Undgå at se direkte på laserlys i længere perioder.

Finnish:

DLL2020-WO-skanneri täyttää luokan 1 lasertuotteelle IEC 825-1:ssä (1993) asetetut turvavaatimukset. Se täyttää myös U.S. 21CFR1040:ssa asetetut vaatimukset siltä osin kuin ne koskevat luokan IIa lasertuotetta. Vältä pitkäaikaista suoraan laservaloon katsomista.

Swedish:

Avsökaren DLL2020-WO uppfyller säkerhetsnormen IEC 825-1 (1993) för laserprodukter av klass 1. Den uppfyller dessutom U.S. 21CFR1040 som gäller för laserprodukter av klass IIa. Undvik att titta i direkt laserljus under längre perioder.

Norwegian:

DLL2020-WO skanneren er i samsvar med sikkerhetsstandarden IEC 825-1 (1993) for laserprodukter i klasse 1. Den er også i samvar med U.S. 21CFR1040 for laserprodukter i klasse IIa. Unngå å se langvarig på direkte laserlys.

Italian:

Lo scanner DLL2020-WO è conforme alle norme di sicurezza IEC 825-1 (1993) relative ad un prodotto laser di Classe 1. È inoltre conforme alla norma U.S. 21CFR1040 relativa ad un prodotto laser di Classe IIa. Evitare l'esposizione prolungata all'emissione diretta di luce laser.

Portuguese:

O scanner DLL2020-WO está conforme as normas de segurança IEC 825-1 (1993) para a Classe 1 dos produtos laser. Também está conforme a norma U.S. 21CFR1040 aplicada nos produtos laser da Classe IIa. Evite expor os olhos directa e prolongadamente aos raios laser.

Spanish:

El scanner DLL2020-WO reúne las normas de seguridad IEC 825-1 (1993) para un producto laser de Clase 1. Y también reúne las normas U.S. 21CFR1040 que se aplican a un producto laser de Clase IIa. Se debe evitar mirar muy fijo en luz láserica directa.

- Optical** The use of optical instruments with this product will increase eye hazard. Optical instruments include binoculars, microscopes and magnifying glasses but do not include eye glasses worn by the user.
- Radiant Energy** The DLL2020-WO uses a low-power laser diode operating at 650 nm in an opto-mechanical scanner resulting in less than 0.7 mW peak output power. Laser light observed at 15.0 cm (5.9 inch) above the window through a 7 mm (0.28 in.) aperture and averaged over 1000 seconds is less than 3.9 μ W per CDRH Class IIa specification. Do not attempt to remove the protective housing of the scanner, as unscanned laser light with a peak output up to 0.90 mW could be accessible inside.
- Laser Light Viewer** The scanner window is the only aperture through which laser light may be observed on this product. A failure of the scanner motor, while the laser diode continues to emit a laser beam, may cause emission levels to exceed those for safe operation. The scanner has safeguards to prevent this occurrence. If, however, a stationary laser beam is emitted, the failing scanner should be disconnected from its power source immediately.
- Adjustments** Do not attempt to make any adjustments to or alteration of this product. Do not remove the scanner's protective housing. There are no user-serviceable parts inside.
- CAUTION** **Use of controls or adjustments or performance of procedures other than those specified herein may result in hazardous laser light exposure.**

1.4 Maintaining the scanner

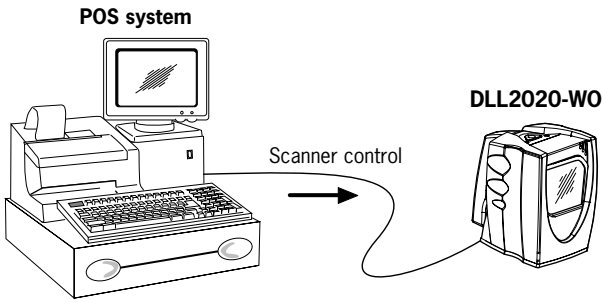
The DLL2020-WO scanner requires little maintenance. Only occasional cleaning of the scanner window is necessary in order to remove dirt and fingerprints. The scanner can be cleaned during operation. To this end use a non-abrasive glass spray cleaner and a soft lint-free cloth only.

1.5 Controlling the scanner from the pos system

The DLL2020-WO can be controlled from the POS system via the RS232C interface. Controlling is accomplished by transmitting the following single-byte commands to the scanner. In the Datalogic default setting the following commands are available (more details upon request):

ASCII code	function	byte is also called:
05 Hex	power-up re-initialization	ENQ or <Ctrl-E>
0E Hex	enable (cancels disable)	Shift Out or <Ctrl-N>
0F Hex	disable	Shift In or <Ctrl-O>
12 Hex	sleep	DC2 or <Ctrl-R>
14 Hex	wake (cancels sleep)	DC4 or <Ctrl-T>

When the scanner is disabled, the scanner motor will remain switched-on until the scanner goes into sleep mode.



Chapter 2

Installing the DLL2020-WO

2.1 Installing the scanner

This chapter describes the instructions necessary for installing the DLL2020-WO scanner.

Due to many POS systems on the market, a large number of communication cables is available. Make sure that you have the right cable to connect the scanner to your POS or computer.

NOTES

- The scanner and the host system must be switched off before starting the installation of the scanner. By following this precaution you prevent any electrical damage.
- You are advised to install the scanner in an air circulated place out of direct sunlight.

Follow these steps carefully in order to install the scanner.

1. Locate the optimal scanner position in relation to the counter surface. Pay attention to the product flow, the distance to the counter edge and convenience for the operator.

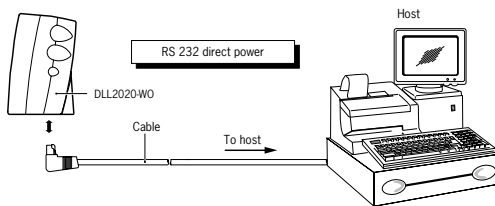
2. You have four options to connect the scanner to your POS or computer.

A) RS232 direct power

For those systems which supply electrical power on the serial port (minimal requirements: +5 V dc, 250 mA), the following set-up is applicable.

Plug the cable with the 10-pin modular jack into the scanner port until a firm 'click' is heard.

Plug the other connector of the cable into the appropriate serial port of your POS or computer.



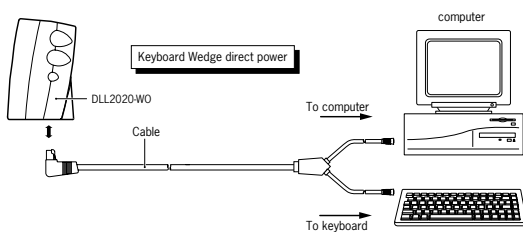
B) Keyboard Wedge direct power

For those systems which supply electrical power on the keyboard port (minimal requirements: +5 V dc, 250 mA), the following set-up is applicable.

Plug the cable with the 10-pin modular jack into the scanner port until a firm 'click' is heard.

Connect the female connector at the other cable end to the keyboard.

Plug the male connector into the keyboard port of your computer.

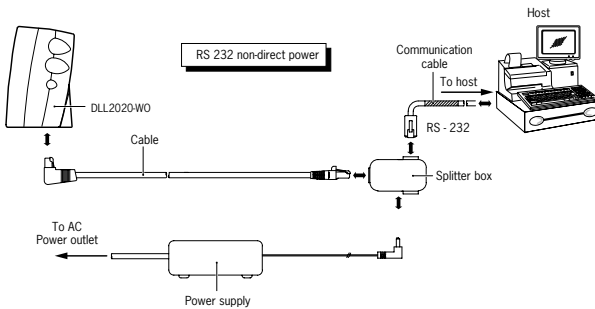


C) RS232 non direct power

For those systems which do not supply electrical power on the serial port, the following set-up is applicable.

Plug the cable with the 10-pin modular jack into the scanner port until a firm 'click' is heard.

Plug the other connector into the splitter box, as illustrated in the figure below. Plug the communication cable with the 8-pin modular jack into the RS232 port of the splitter box. Plug the other connector of the communication cable into the appropriate serial port of your POS or computer. Connect the Datalogic power supply unit to the power supply port of the splitter box. Power on the scanner by connecting the IEC power cord to the AC/DC power supply and by plugging the AC power cord into an AC outlet.



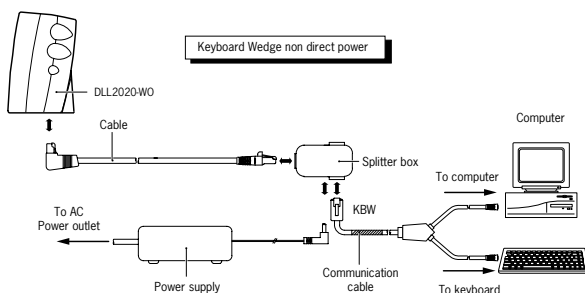
D) Keyboard Wedge non direct power

For those systems which do not supply electrical power on the keyboard port, the following set-up is applicable.

Plug the cable with the 10-pin modular jack into the scanner port until a firm 'click' is heard.

Plug the other connector into the splitter box as illustrated in the figure below. Plug the communication cable with the 8-pin modular jack into the Keyboard Wedge port of the splitter box. Connect the female connector at the other end of the cable to the keyboard.

Plug the male connector into the keyboard port of your computer. Connect the Datalogic power supply unit to the power supply port of the splitter box. Power on the scanner by connecting the IEC power cord to the AC/DC power supply and by plugging the AC power cord into an AC outlet.



Once the scanner has been installed, you can start scanning bar code labels.

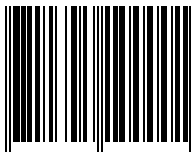
If you want to change the default settings of the scanner, proceed to the Configuration Guide supplied with the scanner.

IMPORTANT

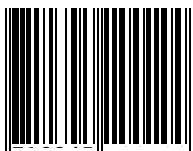
To select the scanner interface (RS232 factory default), scan the following codes:

1. **Open** the scanner **Programming Mode** by scanning code 1
2. - **Return to RS232 default** by scanning code 2 **OR**
 - **Return to Keyboard Wedge default** by scanning code 3

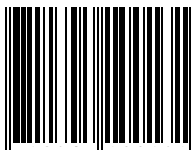
OPEN PROGRAMMING MODE



1.

RETURN TO RS232 DEFAULT**2.**

IMPORTANT: Programming Mode is closed after scanning this code.

RETURN TO KEYBOARD WEDGE DEFAULT**3.**

IMPORTANT: Programming Mode is closed after scanning this code.

Appendices

A. Connector types and pin definitions

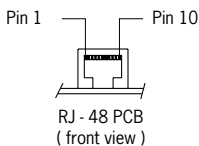
B. Technical Specifications

C. Troubleshooting

A. Connector types and pin definitions

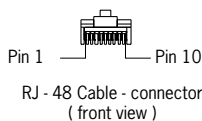
The DII2020-wo has a dual interface: RS232/Keyboard Wedge. The pin definition for the scanner port and the connector to be used for the port are shown in the connection diagram below.

Connection Diagram



Scanner port

PIN	DESCRIPTION
1	PC - CLOCK
2	CTS
3	RXD
4	TXD
5	RTS
6	GND
7	+5V
8	KB - DATA
9	KB - CLOCK
10	PC - DATA

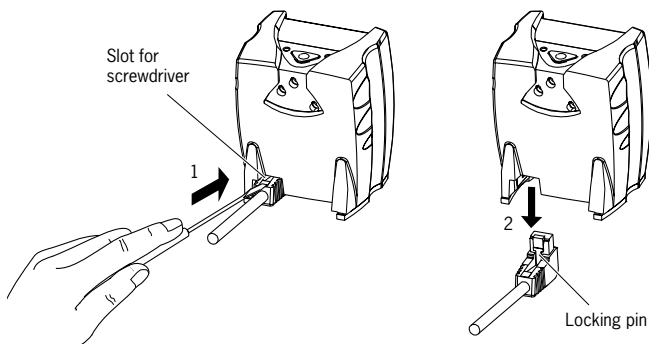


10 pin connector

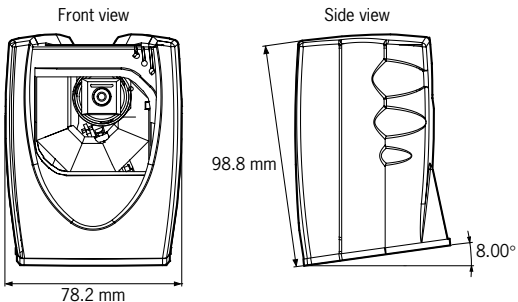
IMPORTANT

Use approved Datalogic cables only.

Removing the RJ-48 connector



B. Technical specifications

Electrical	
Power supply voltage	100 - 250 V ac, 50/60 Hz
DC input to scanner	+ 5 V dc $\pm 5\%$, 250 mA
Dual interface	RS232/Keyboard Wedge
Optical	
Light source	Visible laser diode (650nm)
Depth of field	250 mm
Scan pattern	4 directions scan field, 16 lines scan pattern
Scan rate	800 scans / second
Decoding	
Bar code types	EAN/UPC/JAN + Add-on Code 128, EAN 128, Code 39, Code 32, Codabar, ITF
Physical	
Weight	0.3 kg
Dimensions	L x W x D: 100 x 80 x 60 mm : 3.9 x 3.1 x 2.4 inch
 <p>The image contains two technical drawings of a scanner. The left drawing is labeled 'Front view' and shows a rectangular device with a lens and internal components. A dimension line below it indicates a width of 78.2 mm. The right drawing is labeled 'Side view' and shows the profile of the device. A dimension line on the left indicates a height of 98.8 mm, and a dimension line on the right indicates a tilt angle of 8.00°.</p>	

Environmental	
Operating temperature	0° C ~ 40° C
Humidity	0% ~ 95% RH (non-condensing)
Safety	
Laser safety	IEC 825-1 (1993) Class 1, U.S. 21CFR1040 Class IIa
Electrical safety	EN 60950 second edition UL1950 (third edition), c-UL (according CSA22.2.950-95)
EM Compatibility	
Radio and TV interference	EN 55022 Class B (1994), FCC part 15 Class A (1992)
Harmonic current emissions	EN 61000-3-2 (1995)
EM-immunity	EN 50082-1 (1992) based on:
ElectroStatic Discharge (ESD)	IEC 801-2 (1991)
Radio frequency immunity	IEC 801-3 (1984) / ENV 50140 (1993)
Electrical fast transient	IEC 801-4 (1988)

C. Troubleshooting

This section contains information on solving problems you may encounter when using the scanner. If troubles occur, take a moment to read the information in this section. However, before referring to the diagnostic tips make sure that the scanner is installed as described in Chapter 2 and that all cables are properly connected.

Problem	Diagnostic Tips
<p>The scanner is on but a bar code cannot be read. The LED is red.</p>	<ul style="list-style-type: none"> ▪ The scanner window is dirty. Clean the scanner window as described in the Maintenance section. ▪ The presented bar code type is not enabled. Select the bar code type with the Configuration Guide. ▪ The scanner is disabled by the host. Refer to Section 1.5. ▪ The bar code type you presented to the scanner is not supported by the Polaris.
<p>The scanner is on, but the motor is not rotating. A bar code cannot be read. The LED is intermittently flashing red.</p>	<ul style="list-style-type: none"> ▪ The scanner is in sleep mode. Press the switch on top of the scanner to reactivate the scanner (or use the wake protocol. Refer to section 1.5).
<p>The red LED and green LED are alternating.</p>	<ul style="list-style-type: none"> ▪ Mirror motor is defective and must be replaced (Authorized personnel only).
<p>The red LED and green LED are alternating and beeps are heard.</p>	<ul style="list-style-type: none"> ▪ Possible failure of the scanning safeguard circuit. Immediately disconnect the scanner from its power source. Contact your supplier.
<p>The scanner does not accept more than two or three bar codes.</p>	<ul style="list-style-type: none"> ▪ There is no proper handshaking with the host system. Switch the host system on and check connection and communication settings.
<p>Both the red LED and green LED are on.</p>	<ul style="list-style-type: none"> ▪ The laser is not functioning. The laser is defect. Contact your supplier.
<p>Both the red LED and green LED are blinking.</p>	<ul style="list-style-type: none"> ▪ The ambient temperature is too high. Make sure the scanner has enough air ventilation and is not placed in direct sunlight.

Problem	Diagnostic Tips
The green LED stays on.	<ul style="list-style-type: none"> ■ The scanner is continuously seeing a bar code. Remove all bar code labels from the scan volume of the scanner and try again. ■ The scanner cannot send the data to the host system. There is no proper handshaking between the scanner and the host. Scanner buffer is full. Make sure that all cables are connected and your host system is ready to receive data. ■ The scanner is in test mode. Power off and on the scanner
A bar code is read by the scanner but not accepted by the host system.	<ul style="list-style-type: none"> ■ The communication cable is not connected to the serial port of your host system. Refer to the manual of your host system to locate the serial port. ■ The communication settings of the host and scanner do not match. Ensure that the setting value for both devices are the same. For proper adjustment values see the Configuration Guide. ■ The communication cable does not suit your host system. Contact your supplier for the correct communication cable. ■ The data format is not supported by the software running on the host system.

Free Manuals Download Website

<http://myh66.com>

<http://usermanuals.us>

<http://www.somanuals.com>

<http://www.4manuals.cc>

<http://www.manual-lib.com>

<http://www.404manual.com>

<http://www.luxmanual.com>

<http://aubethermostatmanual.com>

Golf course search by state

<http://golfingnear.com>

Email search by domain

<http://emailbydomain.com>

Auto manuals search

<http://auto.somanuals.com>

TV manuals search

<http://tv.somanuals.com>