

General View:

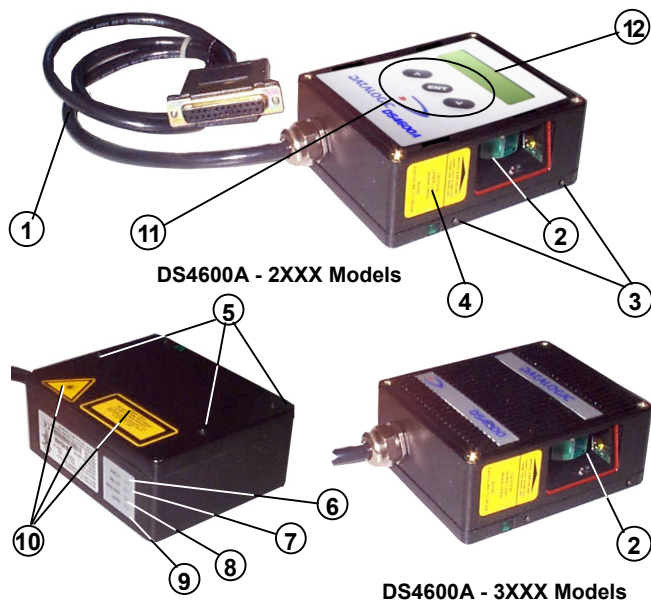


Figure A

- | | |
|-------------------------------|-------------------------------------|
| ① Cable with 25-pin Connector | ⑦ External Trigger LED |
| ② Laser Beam Output Window | ⑧ Good Read LED |
| ③ Accessory Mounting Holes | ⑨ Ready LED |
| ④ Warning Label | ⑩ Warning and Classification Labels |
| ⑤ Mounting Holes | ⑪ Keypad |
| ⑥ Data TX LED | ⑫ Display |

For further details on product installation, see the complete Installation Manual available on the WinHost CD included with this product.

Power Supply:

- This product is intended to be installed by **Qualified Personnel only**.
- **Models DS4600A-XXX0:**
This device is intended to be supplied by a UL Listed Direct Plug-in Power Unit marked "Class 2", rated 10-30 V minimum, 0.60 A.
This device may also be supplied by a UL Listed Power Unit marked "Class 2" or LPS power source which supplies power directly to the scanner via the 25-pin connector.
- **Model DS4600A-2XX5:**
This device is intended to be supplied by a UL Listed Direct Plug-in Power Unit marked "Class 2", rated 24 V minimum, 0.50 A.
This device may also be supplied by a UL Listed Power Unit marked "Class 2" or LPS power source which supplies power directly to the scanner via the 25-pin connector.

WEEE Compliance:



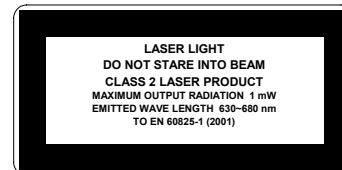
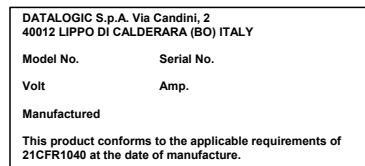
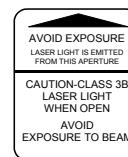
Laser Safety:

The scanner is classified as a Class 2 laser product according to EN 60825-1 regulations and as a Class II laser product according to CDRH regulations.

For installation, use and maintenance it is not necessary to open the device.

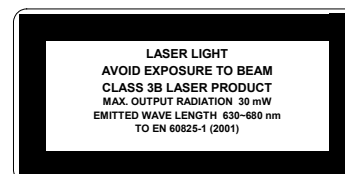
There is a safety device which allows the laser to be switched on only if the motor is rotating above the threshold for its correct scanning speed.

The laser beam can be switched off through a software command (see also the WinHost Help On-Line).



Warning and device class labels

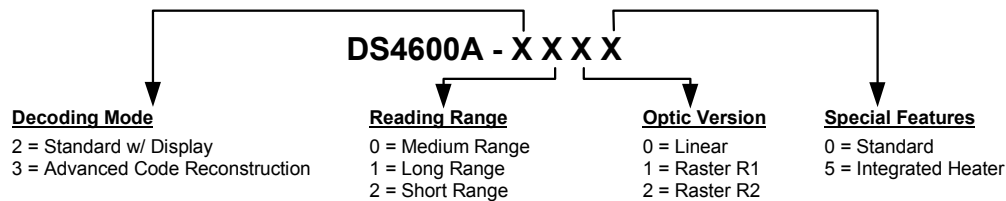
The laser diode used in this device is classified as a class 3B laser product according to EN 60825-1 regulations and as a Class IIIb laser product according to CDRH regulations. As it is not possible to apply a classification label on the laser diode used in this device, the following label is reproduced below.



Laser diode class label

Any violation of the optic parts in particular can cause radiation up to the maximum level of the laser diode (30 mW at 630 to 680 nm).

Model Description:



The following table displays each version's reading performance.

Version	Reading Distance	Max Code Resolution mm (mils)	Speed scans/s
210X	200 mm (8 in) - 980 mm (39 in) on 1.00 mm (40 mils) codes	0.50 (20)	800
200X	160 mm (6 in) - 540 mm (21 in) on 0.50 mm (20 mils) codes	0.25 (10)	800
220X	50 mm (1.97 in) - 400 mm (15.75 in) on 0.80 mm (31 mils) codes	0.20 (8)	800
310X	200 mm (8 in) - 970 mm (38 in) on 1.00 mm (40 mils) codes	0.50 (20)	800
300X	160 mm (6 in) - 540 mm (21 in) on 0.50 mm (20 mils) codes	0.25 (10)	800
320X	120 mm (4.7 in) - 310 mm (12.2 in) on 0.30 mm (12 mils) codes	0.20 (8)	800

Technical Features:


ELECTRICAL FEATURES		SOFTWARE FEATURES	
Power Supply	Model XXX0: 10 –30 Vdc Model 2XX5: 24 Vdc	Readable Codes	EAN/UPC (including Add-on 2 and Add-on 5) Code 39 2/5 Interleaved Code 128 EAN 128 Code 93 Codabar Pharmacode
Power Consumption max.	Model XXX0: 6W Model 2XX5: 12W	Headers and Terminators	Up to four header and four terminator characters
Main Serial Interface	RS232; RS485 Full-Duplex RS485 Half-Duplex		
Auxiliary Interface	RS232	Operating Modes	On-Line, Automatic, Serial-On-Line, Test
Baudrates	1200 to 115200	Configuration Modes	Through menus using WinHost utility Host Mode (commands from one of the serial ports)
Inputs External Trigger, IN1, IN2	(optocoupled NPN or PNP)	Code Selection	Up to six different codes during one reading phase
Voltage max.	30 Vdc	Parameter Storage	Non-volatile internal EEPROM
Current Consumption max.	25 mA	ENVIRONMENTAL FEATURES	
Outputs		Operating Temperature	0° to 40 °C (32° to 104 °F) 2XX5: -30° (-22 °F) to 40 °C
OUT1, OUT2	(optocoupled OE or OC)	Storage Temperature	-20° to 70 °C (-4° to 158 °F)
V _{CE} max.	40 Vdc	Humidity max	90% non condensing
Collector Current max.	40 mA continuous; 130 mA pulsed	Vibration Resistance	14 mm @ 2 to 10 Hz 1.5 mm @ 13 to 55 Hz 2 g @ 70 to 200 Hz 2 hours on each axis
V _{CE} Saturation	1V at 10 mA max.	Shock Resistance	30g; 11 ms; 3 shocks on each axis
Power Dissipation max.	90 mW at 40 °C (Ambient temp.)	Protection Class	IP65
OPTICAL FEATURES			
Light Source	Semiconductor laser diode		
Wavelength	630 to 680 nm		
Safety Class	Class 2 - EN 60825-1; CDRH		
USER INTERFACE			
LED Indicators	Ready, Good Read, External Trigger, Data TX		
PHYSICAL FEATURES			
Dimensions	101x84x42 mm (4x3.3x1.7 in)		
Weight	615 g. (22 oz)		

Accessories:

Name	Description	Part Number
C-BOX 100/200	Connection Box	93ACC1510, 93ACC1520
C-BOX 300/310	Connection Box Profibus	93A301000, 93A301030
C-BOX 400/410	Connection Box DeviceNet	93A301010, 93A301040
GFC-41	90° Reading Device	91D081000
OM4000	Oscillating Mirror	93A251030
INT-30 (for C-Box 100)	20 mA Current Loop Interface Board	93A151022

Electrical Connections:

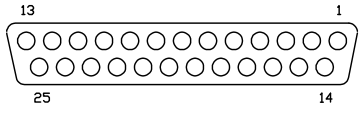
DS4600A is equipped with a cable terminated by a 25-pin female D-sub connector for connection to the power supply and input/output signals.



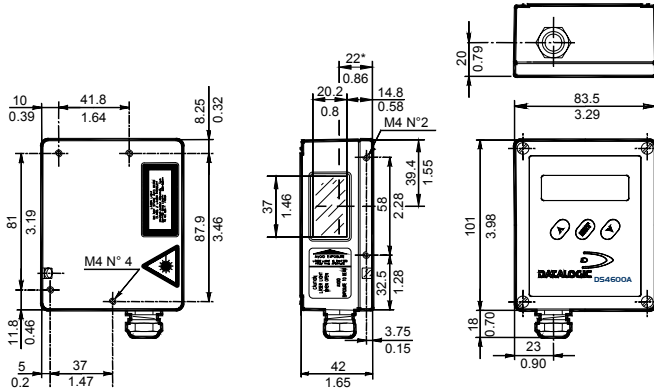
CAUTION

Do not connect GND and SGNDs (Main or Aux) to different (external) ground references. GND and SGNDs (Main and Aux) are internally connected through filtering circuitry which can be permanently damaged if subjected to voltage drops over 0.8 Vdc.

The details of the connector pins are indicated in the following table:

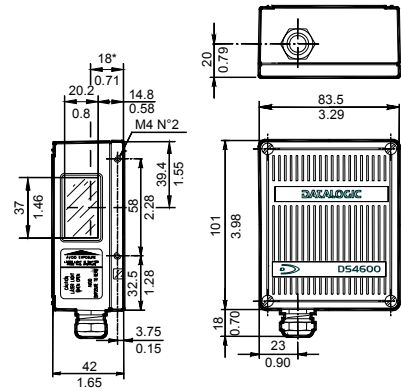
25-pin D-sub female connector pinout				
Pin	Name	Function		
13	VS	Power supply input voltage +	 <p style="text-align: center;">25-pin female connector</p>	
25	GND	Power supply input voltage -		
1	CHASSIS	Chassis Ground		
9	VS	External Trigger supply voltage +		
18	EXT TRIG+	External Trigger +		
19	EXT TRIG-	External Trigger -		
6	IN1+	Input 1 +		
10	IN1-	Input 1 -		
14	IN2+	Input 2 +		
15	IN2-	Input 2 -		
8	OUT1 +	Output 1 +		
22	OUT1-	Output 1 -		
11	OUT2 +	Output 2 +		
12	OUT2-	Output 2 -		
20	RXAUX	Auxiliary RS232		
21	TXAUX	Auxiliary RS232		
23	SGND Aux	Signal Ground Auxiliary interface		
24	GND	Power Supply Voltage -		
16	Reserved			
17	Reserved			
Pin	RS232	RS485 Full-Duplex		RS485 Half-Duplex
2	TX232	TX485+		RTX485+
3	RX232	RX485+		
4	RTS232	TX485-		RTX485-
5	CTS232	RX485-		
7	SGND Main	SGND Main	SGND Main	

Mechanical Installation:



Mounting hole depth M4 X 5 * The quote refers to the scan line

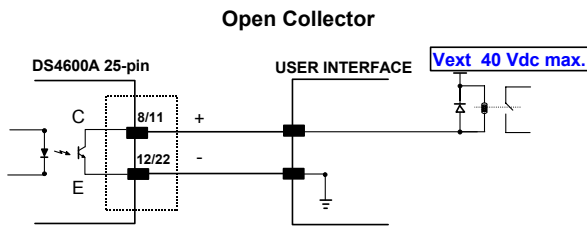
Overall dimensions for 2XXX Models



* The quote refers to the scan line

Overall dimensions for 3XXX Models

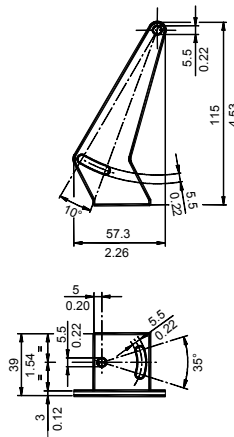
Input/Output Connections:



Output open collector connections

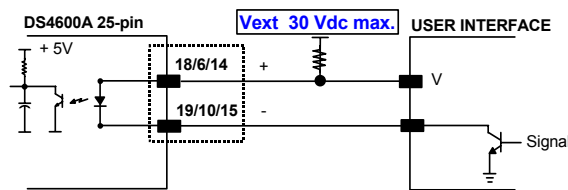
$V_{CE} \text{ max} = 40 \text{ Vdc}$

$I \text{ max} = 40 \text{ mA continuous}$



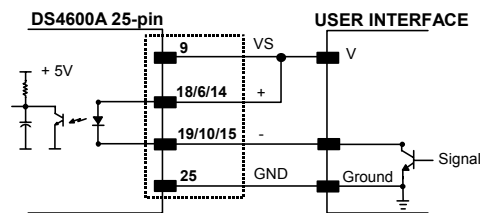
Mounting Bracket Dimensions

NPN



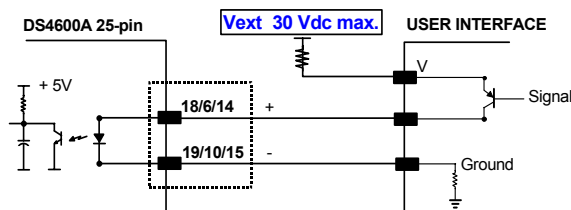
Input NPN command using external power

NPN



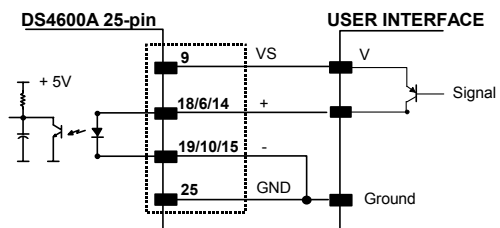
Input NPN command using DS4600A power

PNP



Input PNP command using external power

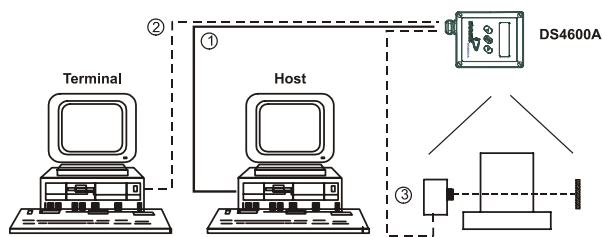
PNP



Input PNP command using DS4600A power

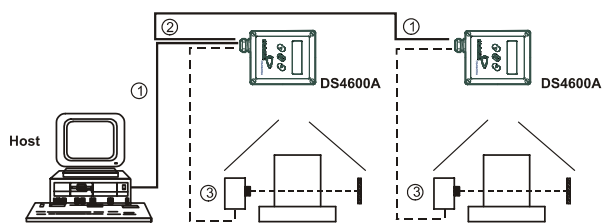
Connectivity:

Point-to-point layout



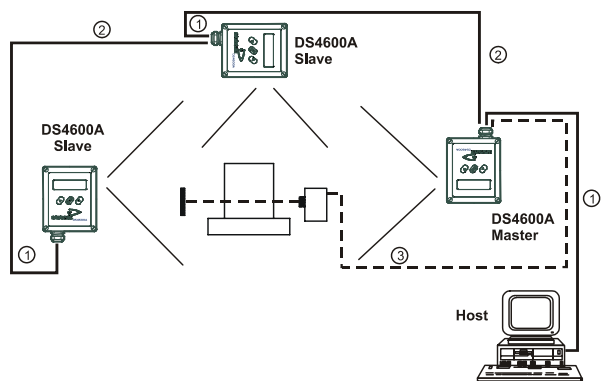
- ① Main Serial Interface
- ② Auxiliary Serial Interface (Local Echo) (RS232)
- ③ External Trigger (for On-Line Mode)

Pass-through layout



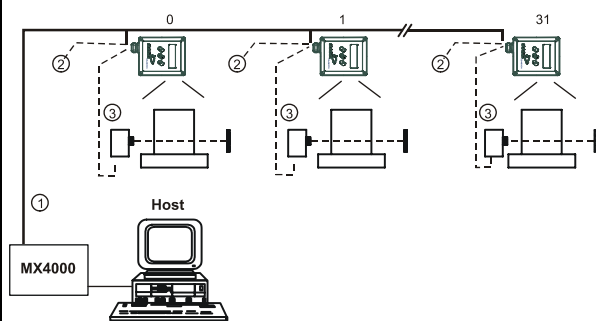
- ① Main Serial Interface (RS232)
- ② Auxiliary Serial Interface (RS232)
- ③ External Trigger (for On-Line Mode)

RS232 Master/slave layout



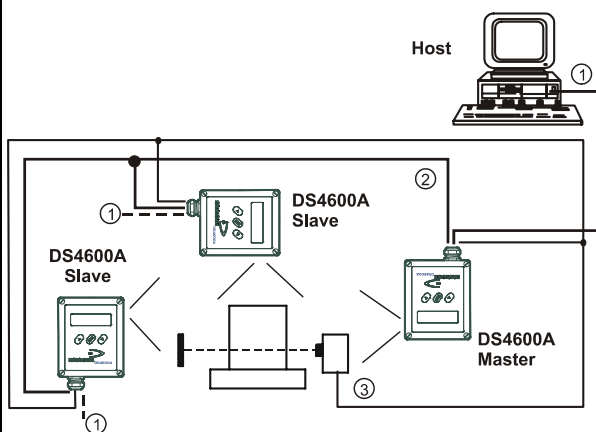
- ① Main Serial Interface (Slaves RS232 only)
- ② Auxiliary Serial Interface (RS232)
- ③ External Trigger (for On-Line Mode)

Multiplexer layout



- ① Main Serial Interface (RS485 Half-Duplex)
- ② Auxiliary Serial Interface (Local Echo) (RS232)
- ③ External Trigger (for On-Line Mode)

RS485 Master/slave layout



- ① Auxiliary Serial Interface (RS232)
- ② Main Serial Interface (RS485 Half-Duplex)
- ③ External Trigger

Reading Diagrams:

DS4600A-210X (Long Range)

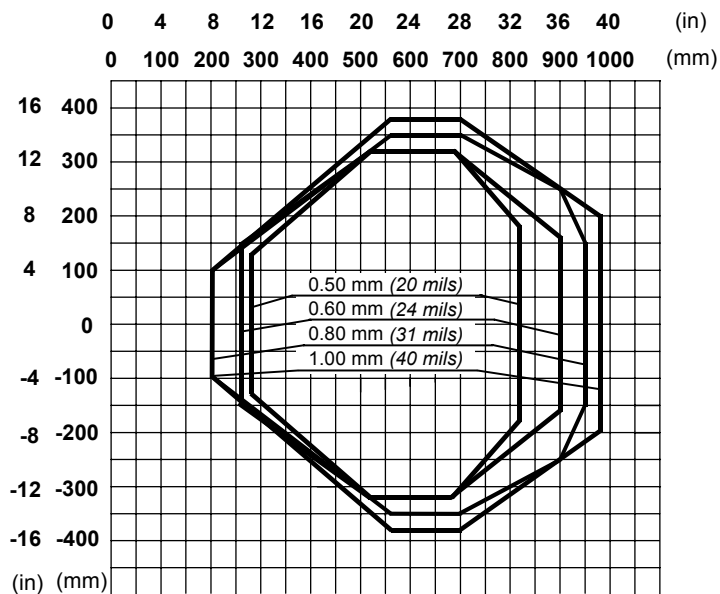
CONDITIONS

Code = Interleaved 2/5 or Code 39
 PCS = 0.90
 Pitch angle = 0°
 Skew angle = 15°
 Tilt angle = 0°

*Code Resolution:
 Standard - for 0.50 mm (20 mils) codes and greater

*Code Reading Condition:
 Standard

* Parameter selectable in WinHost.



DS4600A-200X (Medium Range)

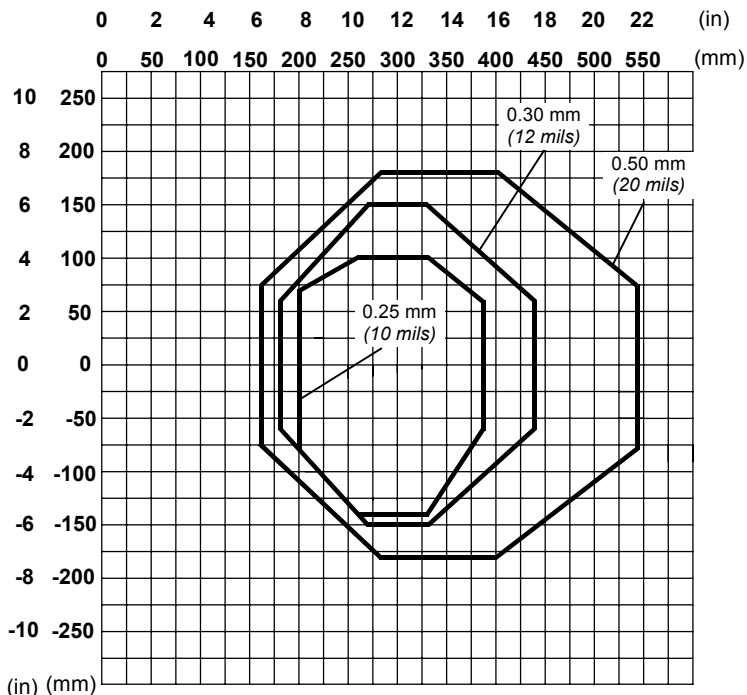
CONDITIONS

Code = Interleaved 2/5 or Code 39
 PCS = 0.90
 Pitch angle = 0°
 Skew angle = 15°
 Tilt angle = 0°

*Code Resolution:
 High - for 0.30 mm (12 mils) codes and smaller
 Standard - for 0.50 mm (20 mils) codes and greater

*Code Reading Condition:
 Standard

* Parameter selectable in WinHost.

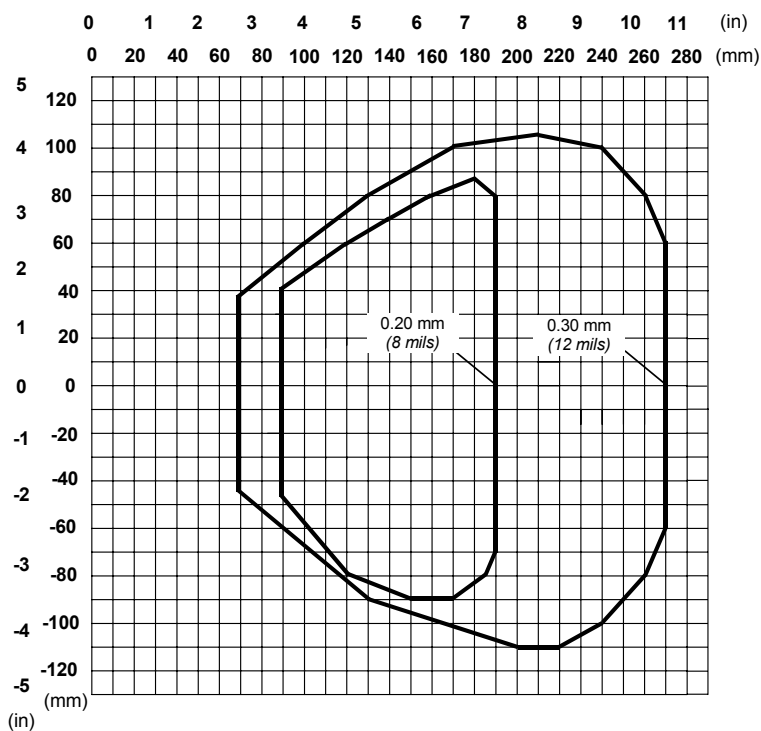


DS4600A-22XX (Short Range)

CONDITIONS

Code = Interleaved 2/5 or Code 39
 PCS = 0.90
 "Pitch" angle = 0°
 "Skew" angle = 10°
 "Tilt" angle = 0°
 *SW Resolution = High

* Parameter selectable in WinHost

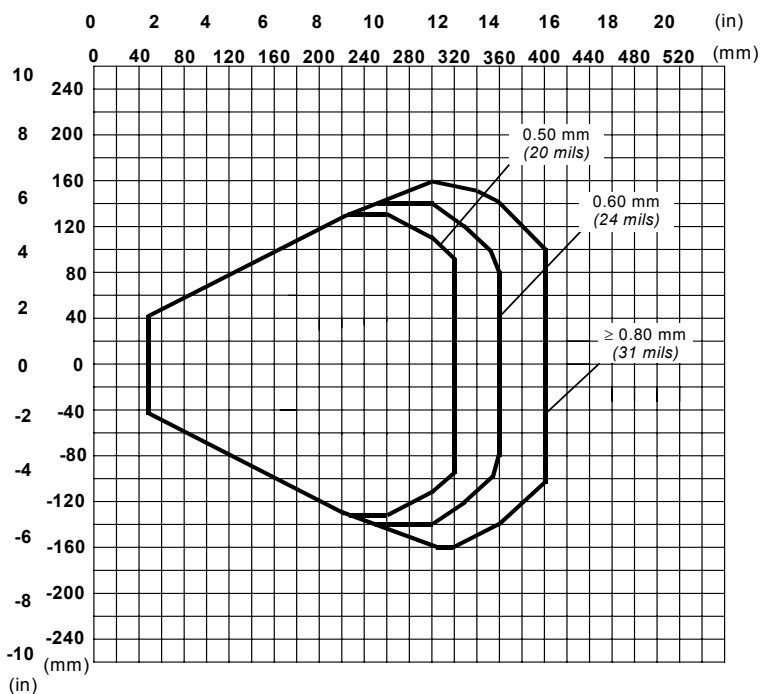


DS4600A-22XX (Short Range)

CONDITIONS

Test Codes used = Interleaved 2/5 and Code 39
 PCS = 0.90
 "Pitch" angle = 0°
 "Skew" angle = 10°
 "Tilt" angle = 0°
 *SW Resolution = Low

* Parameter selectable in WinHost



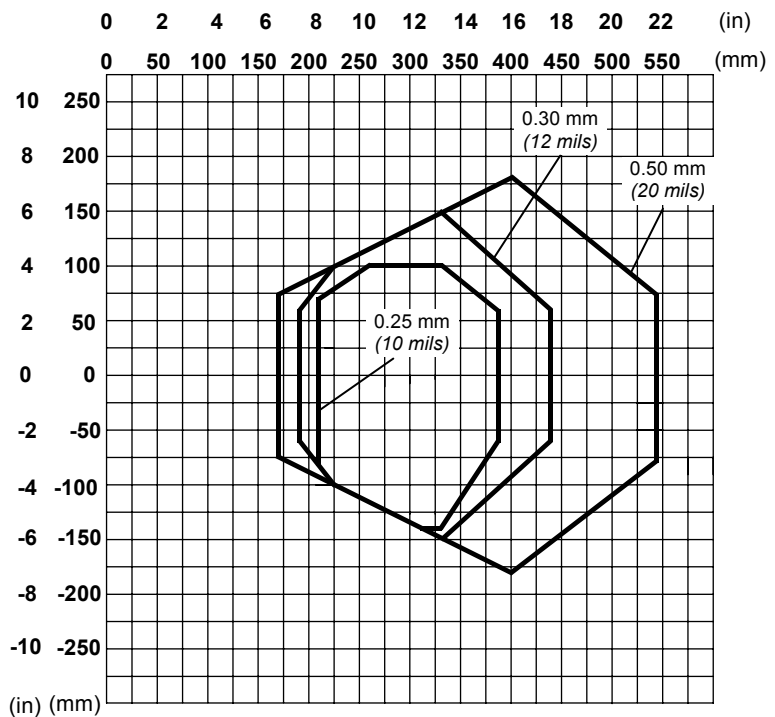
DS4600A-2X1X (Raster R1)

CONDITIONS

Code = Interleaved 2/5 or Code 39
 PCS = 0.90
 "Pitch" angle = 0°
 "Skew" angle = 18°
 "Tilt" angle = 0°

*Code Resolution:
 High - for 0.30 mm (12 mils) codes and smaller
 Standard - for 0.50 mm (20 mils) codes and greater
 *Code Reading Condition:
 Standard

* Parameter selectable in WinHost.



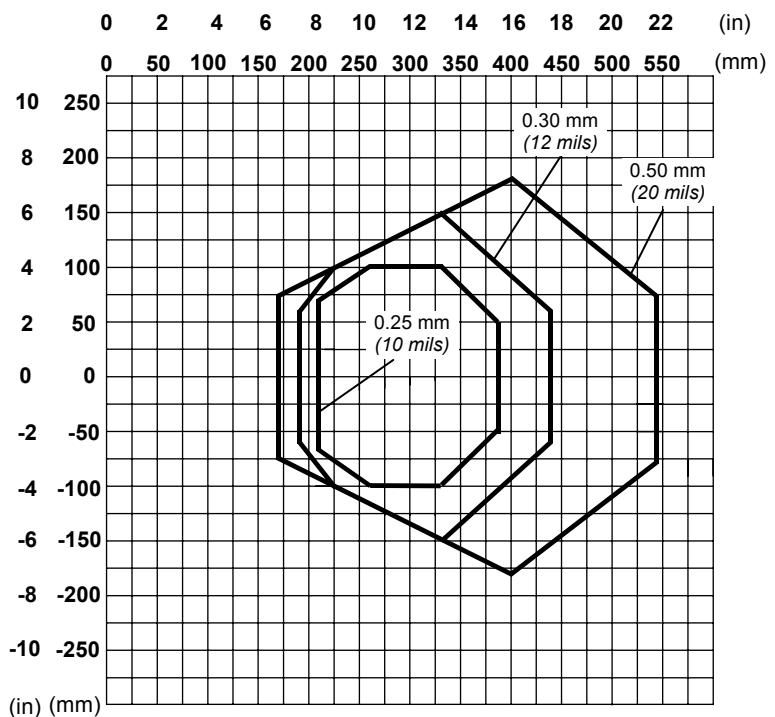
DS4600A-2X2X (Raster R2)

CONDITIONS

Code = Interleaved 2/5 or Code 39
 PCS = 0.90
 Pitch angle = 0°
 Skew angle = 18°
 Tilt angle = 0°

*Code Resolution:
 High - for 0.30 mm (12 mils) codes and smaller
 Standard - for 0.50 mm (20 mils) codes and greater
 *Code Reading Condition:
 Standard

* Parameter selectable in WinHost.



DS4600A-31XX (Long Range)

CONDITIONS

Code = Interleaved 2/5 and Code 39

"Pitch" angle = 0°

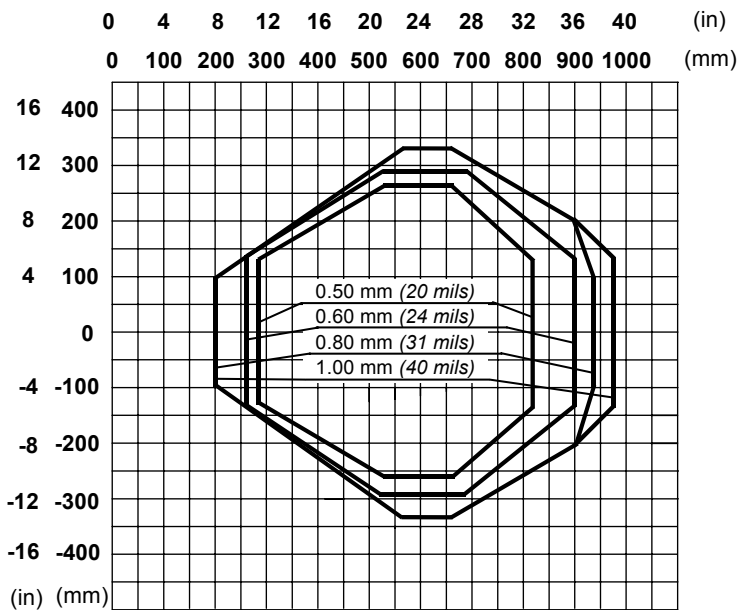
"Skew" angle = 15°

"Tilt" angle = 0°

*Code Resolution =
Standard for 0.50 mm (20 mils) codes
and greater

*Code Reading Conditions = Standard

* Parameter selectable in WinHost



DS4600A-30XX (Medium Range)

CONDITIONS

Code = Interleaved 2/5 and Code 39

PCS = 0.90

"Pitch" angle = 0°

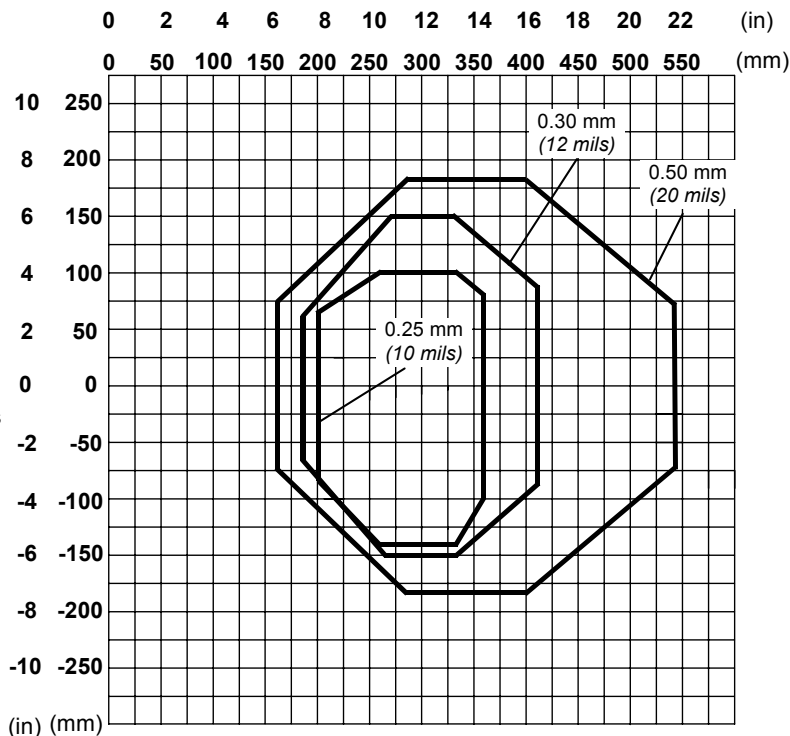
"Skew" angle = 15°

"Tilt" angle = 0°

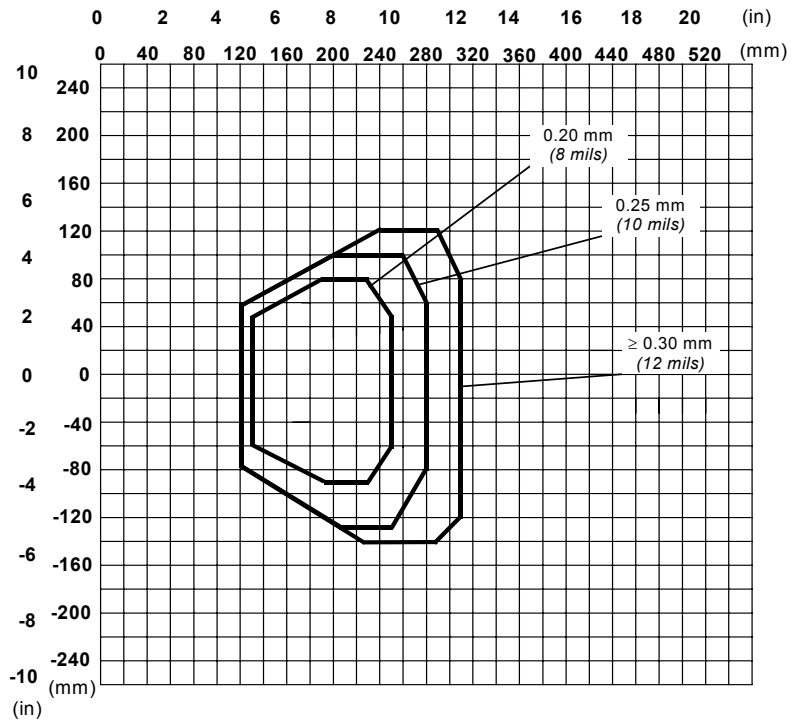
*Code Resolution:
High for 0.30 mm (12 mils) codes and
smaller
Standard for 0.50 mm (20 mils) codes
and greater

*Code Reading Conditions: Standard

* Parameter selectable in WinHost.



DS4600A-32XX (Short Range)



CONDITIONS

Code = Interleaved 2/5 and Code 39

PCS = 0.90

"Pitch" angle = 0°

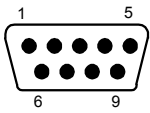
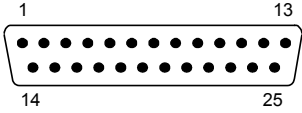
"Skew" angle = 15°

"Tilt" angle = 0°

*SW Resolution: High

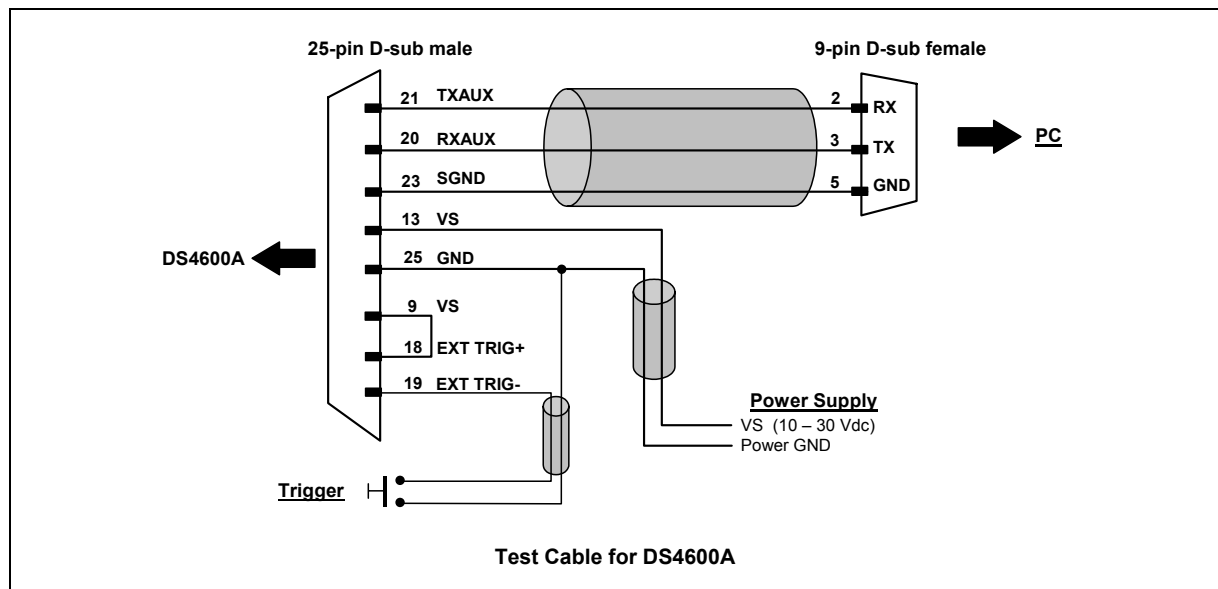
* Parameter selectable in WinHost.

User Interface:

RS232 PC-side connections			
 <p>9-pin male connector</p>		 <p>25-pin male connector</p>	
Pin	Name	Pin	Name
2	RX	3	RX
3	TX	2	TX
5	GND	7	GND
7	RTS	4	RTS
8	CTS	5	CTS

How To Build A Simple Interface Test Cable:

The following wiring diagram shows a simple test cable including power, external (push-button) trigger and PC RS232 COM port connections.



DATALOGIC S.p.A.,
Via Candini, 2
40012 - Lippo di Calderara
Bologna - Italy



dichiara che
declares that the
déclare que le
bescheinigt, daß das Gerät
declare que el

DS4600A-XXXX Laser Scanner e tutti i suoi modelli
and all its models
et tous ses modèles
und seine modelle
y todos sus modelos

sono conformi alle Direttive del Consiglio Europeo sottoelencate:
are in conformity with the requirements of the European Council Directives listed below:
sont conformes aux spécifications des Directives de l'Union Européenne ci-dessous:
der nachstehend angeführten Direktiven des Europäischen Rats:
cumple con los requisitos de las Directivas del Consejo Europeo, según la lista siguiente:

89/336/EEC EMC Directivee	92/31/EEC, 93/68/EEC	emendamenti successivi
and		further amendments
et		ses successifs amendements
und		späteren Abänderungen
y		sucesivas enmiendas

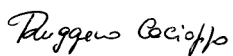
Basate sulle legislazioni degli Stati membri in relazione alla compatibilità elettromagnetica ed alla sicurezza dei prodotti.
On the approximation of the laws of Member States relating to electromagnetic compatibility and product safety.
Basée sur la législation des Etats membres relative à la compatibilité électromagnétique et à la sécurité des produits.
Über die Annäherung der Gesetze der Mitgliedsstaaten in bezug auf elektromagnetische Verträglichkeit und Produktsicherheit entsprechen.
Basado en la aproximación de las leyes de los Países Miembros respecto a la compatibilidad electromagnética y las Medidas de seguridad relativas al producto.

Questa dichiarazione è basata sulla conformità dei prodotti alle norme seguenti:
This declaration is based upon compliance of the products to the following standards:
Cette déclaration repose sur la conformité des produits aux normes suivantes:
Diese Erklärung basiert darauf, daß das Produkt den folgenden Normen entspricht:
Esta declaración se basa en el cumplimiento de los productos con las siguientes normas:

EN 55022 (CLASS A ITE), AUGUST 1994: LIMITS AND METHODS OF MEASUREMENTS OF RADIO DISTURBANCE
AMENDMENT A1 (CLASS A ITE), OCTOBER 2000: CHARACTERISTICS OF INFORMATION TECHNOLOGY EQUIPMENT (ITE)

EN 61000-6-2, OCTOBER 2001: ELECTROMAGNETIC COMPATIBILITY (EMC).
PART 6-2: GENERIC STANDARDS - IMMUNITY FOR INDUSTRIAL ENVIRONMENTS

Lippo di Calderara, 08/09/2005


Ruggero Cacioppo
Quality Assurance Laboratory Manager

821000693 (Rev. D)

Free Manuals Download Website

<http://myh66.com>

<http://usermanuals.us>

<http://www.somanuals.com>

<http://www.4manuals.cc>

<http://www.manual-lib.com>

<http://www.404manual.com>

<http://www.luxmanual.com>

<http://aubethermostatmanual.com>

Golf course search by state

<http://golfingnear.com>

Email search by domain

<http://emailbydomain.com>

Auto manuals search

<http://auto.somanuals.com>

TV manuals search

<http://tv.somanuals.com>