

DATEXX

Exactime

AutoUpdate

Large  
Radio Controlled  
Wall Clock  
with Indoor Temperature

USER MANUAL  
(DRC-701)

1

KSPO:1441-09(TW)  
DATEXX RCW13W MANUAL(ENG)  
SIZE: W65 X H105(mm)  
BY Lai H Z 7/01/10

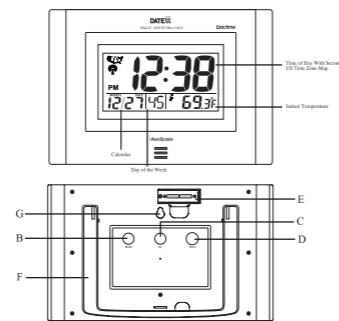
### PRODUCT OVERVIEW

#### FEATURES

- Precise time and date set via RF signals from the US Atomic Clock
- Calendar displaying date with month and day of the week in English, Spanish, French, German or Italian
- Indoor temperature display with trend indicator
- User-selectable temperature display in Celsius or Fahrenheit
- User-selectable 12 or 24 hour time format
- Wall mount or desktop option

#### FRONT VIEW

##### A. RADIO CLOCK WITH INDOOR TEMPERATURE IN A TWO - LINE LCD DISPLAY



4

#### REAR VIEW

##### B. MODE BUTTON

- Allows to set clock manually
- Toggles between time with seconds or time with weekday

##### C. UP BUTTON

- Increases all function parameters
- Activates atomic clock receiver
- Activates US Time Zone selection mode

##### D. DOWN/LANG BUTTON

- Decreases all function parameters

##### E. BATTERY COMPARTMENT

- Accommodates 2 (two) UM-3 or AA 1.5V alkaline batteries.

##### F. UNFOLDING TABLE STAND

- Keeps unit in upright position on a flat surface

##### G. WALL MOUNT RECESSED HOLE

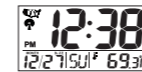
- Keeps unit on the wall

5

### MANUAL SETTINGS

#### TIME ZONE

- Press **MODE** button to select the display mode of time with weekday.



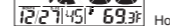
- Select the Time Zone by pressing and holding the UP button for 3 seconds.
- Keep holding UP button until the desired time zone (Pacific, Mountain, Central or Eastern) is highlighted on the unit's display map.

#### CLOCK

- Press and hold **MODE** button for 3 seconds: the year will flash. Press **UP** or **DOWN** to change flashing digits.



- After the first value is set, press **MODE** button again to confirm and move to the next parameter.
- Continue setting month, date, 12 or 24 hours time format, hour, minute, language of weekday, and temperature unit of degree Celsius or Fahrenheit.



8

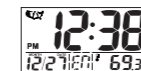
#### TIME FORMAT

- Press UP/DOWN button to toggle between 12 and 24 hour time formats



#### DAY OF THE WEEK LANGUAGE

- Press UP or DOWN button the default language abbreviation will flash (example - EN)



- You can select through the sequence of EN → IT → GE → FR → SP

#### TEMPERATURE DISPLAY

- Press UP or DOWN button to toggle between Celsius and Fahrenheit.

- Press **MODE** button for the one last time to return to the default mode (time and day with seconds) after the last parameter is set.



9

### DATEXX WARRANTY INFORMATION

TELEDEX Limited U.S.A. Warranty  
TELEDEX INC. warrants these products to the original purchaser to be free from defective material and workmanship.  
The product will be repaired or replaced at our option, for up to one year when returned with proof of purchase to the address below. Include a check or money order for \$5.00 to cover postage.  
Warranty valid only in the U.S.A.  
TELEDEX INC. 1 Atlas st. Kenilworth, NJ 07033

www.datexx.com

12

TABLE OF CONTENTS	
INTRODUCTION	3
PRODUCT OVERVIEW	4
WWVB RADIO CONTROLLED TIME	6
GETTING STARTED	7
BATTERY INSTALLATION	7
ATOMIC CLOCK	7
CALENDAR AND CLOCK DISPLAY MODES	7
MANUAL SETTINGS	8
INDOOR TEMPERATURE	10
HOW TO USE THE TABLE STAND	10
PRECAUTIONS	10
SPECIFICATIONS	11
STANDARD WARRANTY INFORMATION	12

2

### INTRODUCTION

Thank you for selecting the DATEXX Large Radio Controlled Wall Clock. This device includes precise time keeping with temperature monitoring features that you can use from the comfort of your home.  
In this package you will find:  
• One Jumbo Clock  
• One User Manual  
Please keep this manual handy as you use your new item. It contains practical step-by-step instructions, as well as technical specifications and precautions you should know.

3

### WWVB RADIO CONTROLLED TIME

The NIST (National Institute of Standards and Technology)radio station (WWVB) is located in Ft. Collins, Colorado. It transmits an exact time signal continuously throughout the most of the continental United States at 60 KHz frequency. The Jumbo Atomic Clock can receive this WWVB signal through the internal antenna from up to 2,000 miles away. Due to the nature of the Earth's ionosphere, reception can be limited during the daylight hours. The radio controlled clock will search for an alternate station that receives the atomic time signal from the NIST Atomic clock in Boulder, Colorado. The WWVB tower icon on the unit's display will flash indicating a radio signal reception from the WWVB station. If the tower icon is not fully lit, or if the time and date are not set automatically, please consider the following:

- During night-time hours, atmospheric disturbances are typically less severe and radio signal reception may improve. A single daily reception is sufficient enough to keep the clock accuracy within 1 second.
- Make sure the unit is positioned at 8 feet (2 meters) distance from any interference source such as a TV, computer monitor, microwave, etc.
- Within concrete wall rooms such as basements or office buildings, the received signal may be weakened. Always place the Jumbo Clock near the window for better reception.

6

### GETTING STARTED

#### BATTERY INSTALLATION

- Open the battery compartment door.
- Install 2 batteries (UM-3 or "AA" size 1.5V) matching the polarity as shown in the battery compartment.
- Replace the battery compartment door.

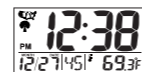
#### RADIO CONTROLLED CLOCK

After installing batteries, set the time manually. ONE TIME SET is needed ONLY when first used. The clock will update the time automatically afterwards. Once the atomic time signal is received, the date and time will be set automatically, and the [🏰] icon will appear.

After the clock is set manually, place it by the window for the better reception. The atomic clock receiver is programmed that it will continue to search for the atomic time signal daily for every hour between 1:00 am and 4:30 am. Once the time signal has been successfully received, the time and date will be updated automatically.

#### CALENDAR AND CLOCK DISPLAY MODES

Precise time is displayed in hour-minutes-seconds format on the top line of the Jumbo Clock. The date is displayed in month-date format on the bottom line next to the day of the week.



7

### INDOOR TEMPERATURE

The indoor temperature shares the same line of calendar and the day of the week.  
**NOTE:** If the indoor temperature goes above or below operating range stated in specifications, the display will show dashes [\*,\*].

#### HOW TO USE THE TABLE STAND

The clock has an unfolding table stand that supports it on the flat surface. The unit can also be mounted on the wall using the recessed screw hole. The table stand must be folded prior to mounting.

#### PRECAUTIONS

- This product is engineered to give you years of satisfactory service if handled carefully. Here are a few precautions:
1. Do not immerse the unit in water.
  2. Do not clean the unit with abrasive or corrosive materials. They may scratch the plastic parts and corrode the electronic circuits.
  3. Do not subject the product to excessive force, shock, dust, temperature, or humidity, which may result in malfunctions, shorter lifespan, damaged batteries, and damaged parts.
  4. Do not tamper with the unit's internal components. Doing so will invalidate the warranty and may cause the unit contains no user-serviceable parts.
  5. Use only fresh batteries. Do not mix new and old batteries.
  6. Read the user's manual thoroughly before operating the unit.

10

### SPECIFICATIONS

Indoor Temperature  
Proposed operating range : -5.0°C to +50.0°C/  
23.0°F to 122.0°F  
Temperature resolution : 0.1°C/0.2°F  
User-selectable (°F or °C) temperature display  
**Calendar and Clock**  
12/24 hour display in hh: mm format  
Date format: month - day format  
US Time Zone map  
Day of the week: User-selectable in five languages  
(English, Spanish, French, German, Italian)

#### Wall Mount or Table Stand

#### Power

2 AA size (UM-3) 1.5V batteries (not included)

#### Dimensions

9.37(L) x 6.06(H) x 1.57(D) inches

11

## Free Manuals Download Website

<http://myh66.com>

<http://usermanuals.us>

<http://www.somanuals.com>

<http://www.4manuals.cc>

<http://www.manual-lib.com>

<http://www.404manual.com>

<http://www.luxmanual.com>

<http://aubethermostatmanual.com>

Golf course search by state

<http://golfingnear.com>

Email search by domain

<http://emailbydomain.com>

Auto manuals search

<http://auto.somanuals.com>

TV manuals search

<http://tv.somanuals.com>