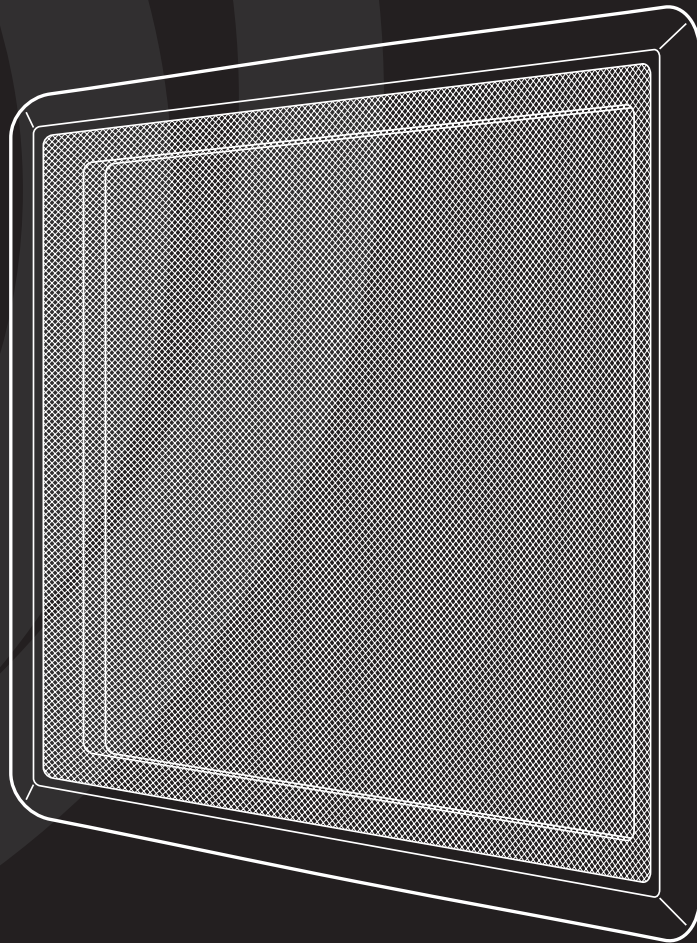




IN-WALL GRILL KIT for VS8 8" UNIVERSAL SUBWOOFER

Model: VS8IG User Manual



Congratulations on your purchase of the **VS8IG** In-Wall Grill Kit for the VS8 universal low-profile subwoofer. The VS8IG kit expands the versatility of the VS8 subwoofer by enabling trouble-free in-wall installation of your subwoofer in new construction or retrofit applications, clearing valuable floor space and creating an installation that is almost invisible. The VS8IG mounting kit is suitable for use in 3/4" or 5/8" thickness drywall material, and requires no adhesive for installation.

Note: When mounting the subwoofer in a wall, you will achieve the best results if you design the layout of the complete system on paper before cutting into the walls. Be certain there are no electrical wires, water pipes or heating ducts in the planned installation area, and check local wiring code requirements before you lay out or install your subwoofer. Read and observe all instructions and cautions in this document.

Part 1: Determine the Installation Location

When determining the position of your subwoofer in the wall of a rectangular room, choose a location along the longest wall, about a 1/3rd of the way along the wall from a corner. Installing the subwoofer closer to a corner will result in stronger bass output. The subwoofer should be mounted low on the wall for the most discreet installation. As an aesthetic suggestion, we recommend centering the subwoofer grill face frame at the same level as the center of the electrical boxes in the room. Mounting the subwoofer behind furniture will not have any negative impact on its sound.

Before installing your subwoofer into the wall, make certain the subwoofer will fit between the wall studs. A properly framed wall will have a 14-1/2" space between studs. The VS8 subwoofer cabinet has a width of 14" and a depth of 2-3/4", which allows it to be installed between standard 2x4 studs.

Part 2: Prepare the wall for installation

Locate the studs to the left and right of the desired subwoofer placement, using a stud finder or other means. Use a level to mark a plumb line to identify the inside face of each stud (See figure 1). If you are not sure of the location of the stud using this method, use a small diameter drill bit and drill a small hole to determine the composition of the wall.

Measure from the floor to the center of an electrical box and transfer that measurement to the location for the subwoofer. Use a level to extend this center line to the left and right inside stud face. From the center line, measure up 8" and mark a level line. Again, from the center line measure down 8" and mark a level line. (See figure 1) This will create a 14-1/2" (W) x 16" (H) cutout pattern for the in-wall subwoofer. Double-check the accuracy of the hole markings, using the wooden face-frame as a guide before making any cuts. Finally, use a drywall saw and cut along the lines to create the opening for your subwoofer.

Part 3: Connect the Subwoofer

Note: See VS8 manual for wiring configurations.

For wiring the VS8 subwoofer, 16 gauge or larger wire is recommended for runs less than 50 feet, and 14 gauge or larger wire is recommended for longer runs. Be aware that many municipalities require the use of CL2 rated speaker cable for installations in walls and ceilings per the local building code. Leave enough cable that you can easily connect the subwoofer. Connect the wire to the subwoofer at this time.

Part 4: Install the Subwoofer

Step 1: The installation kit includes "L" brackets to assist during installation of your subwoofer. Before installing the "L" brackets, attach the small round pads. Inside the wall, measure down 1-1/2" from the bottom of the opening and attach an "L" bracket to the face of the left and right studs (see figure 1).

Step 2: Lift the subwoofer and tilt the top backward into the wall opening. Slide the subwoofer upward into the opening then push the bottom back into the opening. Allow the subwoofer to rest on the "L" brackets.

Step 3: Remove the grill from the wooden face-frame and set it aside. With the wooden face-frame in hand, use the port to lift the subwoofer (see figure 2). Align the holes in the face-frame with the four threaded inserts in the VS8 subwoofer cabinet, and insert the four face-frame screws (silver color) through the holes in the face-frame into the matching threaded inserts in the VS8 cabinet. Thread the screws loosely into the threaded inserts (do not tighten yet).

Step 4: Align the subwoofer face frame in the wall opening and tighten the four screws, drawing the subwoofer to the face frame. If any looseness is noted, remove the face frame and install foam tape pads (such as foam weatherstripping tape) onto the subwoofer cabinet to provide a tighter grip.

Step 5: Place the white speaker grill onto the face frame using the installed grill mounting posts (see figure 3). Installation is complete.

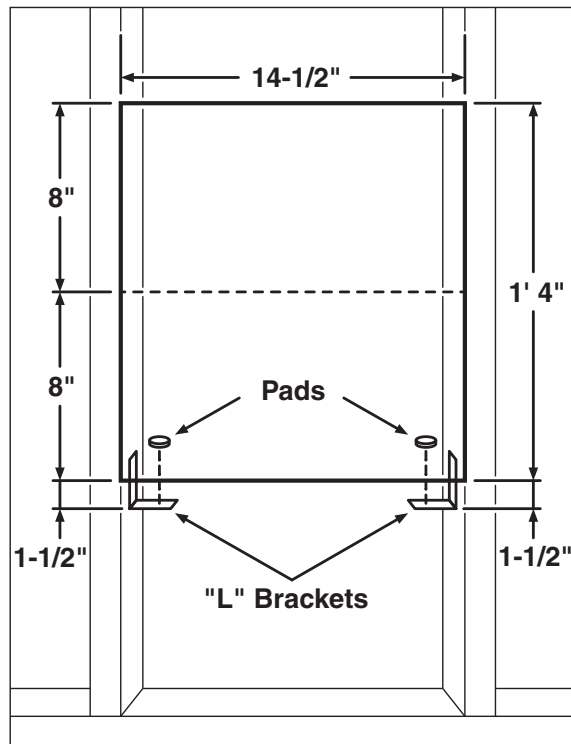


Figure 1

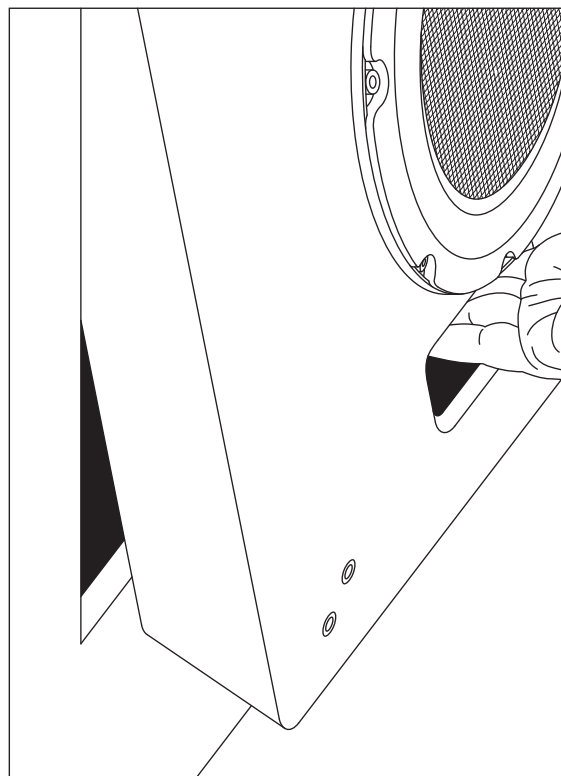


Figure 2

Installation Diagram

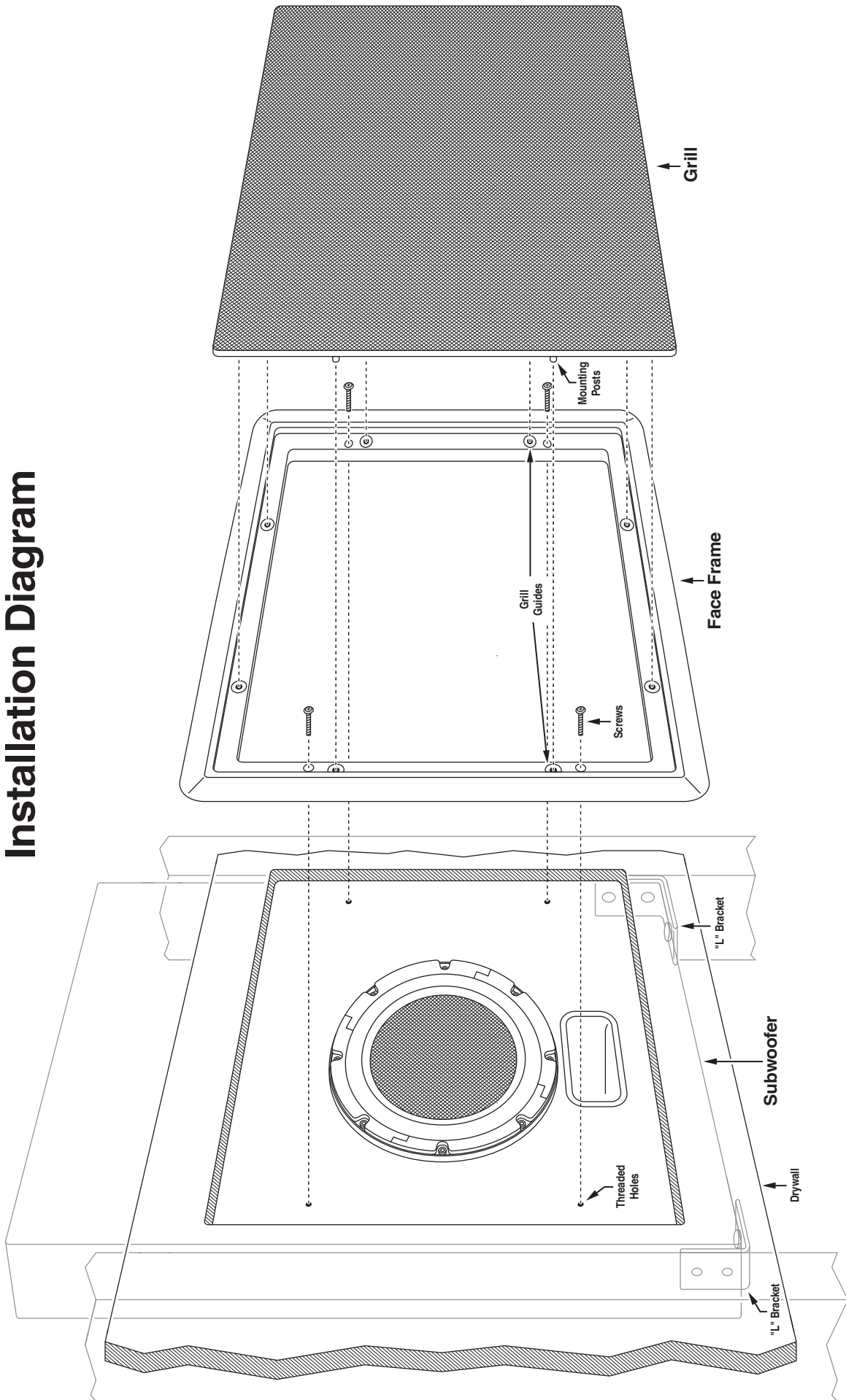


Figure 3

Warranty Information

Dayton Audio products are warranted free from defects in material and workmanship for **5 years** from date of purchase. **1 year** warranty applies to the following products: powered subwoofers and electronic devices (e.g. subwoofer amplifiers, and plate amplifiers, as well as the Omnimic V2 and DATS loudspeaker testing devices). In the rare case of a product failure, please contact your place of purchase or call our Customer Support Department at (937) 743-8248.

Warranty Limitations

There are no other warranties, either expressed or implied, that extend the foregoing, and there are no warranties of merchantability or fitness for any particular purpose. Dayton Audio is not responsible for any consequential or inconsequential damage to any other unit or component or the cost for installation or extraction of any component of the audio system, or for the improper use of products. This includes but is not limited to burnt voice coils, overheating, bent frames, holes in the cone, or broken lead wires.

This warranty gives you specific legal rights and you may also have other rights that vary from state to state.

Non-Warranty Service: If non-warranty service is required, the product may be sent to the Company for repair/replacement, transportation prepaid, by calling (937) 743-8248 for details, complete instructions, and service fee charges.



daytonaudio.com
tel + 937.743.8248
info@daytonaudio.com

705 Pleasant Valley Dr.
Springboro, OH 45066
USA



Free Manuals Download Website

<http://myh66.com>

<http://usermanuals.us>

<http://www.somanuals.com>

<http://www.4manuals.cc>

<http://www.manual-lib.com>

<http://www.404manual.com>

<http://www.luxmanual.com>

<http://aubethermostatmanual.com>

Golf course search by state

<http://golfingnear.com>

Email search by domain

<http://emailbydomain.com>

Auto manuals search

<http://auto.somanuals.com>

TV manuals search

<http://tv.somanuals.com>