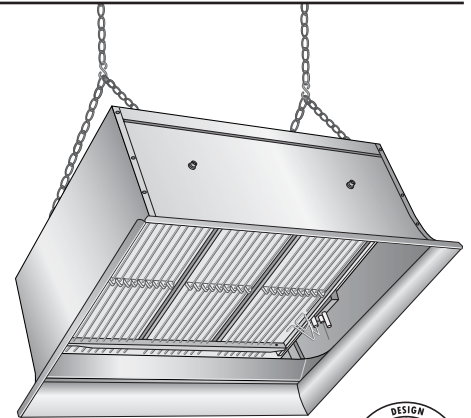


Please read and save these instructions. This heater must be installed and serviced by trained gas installation and service personnel only! Read carefully before attempting to assemble, install, operate or maintain the product described. Protect yourself and others by observing all safety information. Failure to comply with instructions could result in personal injury and/or property damage! Retain these instructions for future reference.

Dayton® High-Intensity Heaters

Description

Dayton high-intensity heaters become highly efficient generators of infrared radiation by heating a ceramic refractory material to incandescence. The principal operation is to pass a gas-air mixture through a perforated ceramic refractory, and ignite it on the refractory surface. This causes the ceramic material to be heated to approximately 1780°F and generate large amounts of infrared radiation that may be directed anywhere heat is desired. Infrared radiation heats people and objects it strikes and not the intervening air. Included is a direct spark ignition system, manifold pressure tap, porous ceramic grids, a polished aluminum reflector and a chain set for hanging the heater. Typical applications are loading docks, warehouses, service garages, factories, aircraft hangars, etc.



⚠ WARNING



Improper installation, adjustment, alteration, service or maintenance can cause property damage, injury or death. Read and understand the installation, operating and maintenance instructions thoroughly before installing or servicing this equipment.

This heater must be installed and serviced by trained gas installation and service personnel only. Failure to comply could result in personal injury, asphyxiation, death, fire and/or property damage.

⚠ WARNING



In locations used for the storage of combustible materials, signs must be posted to specify the maximum permissible stacking height to maintain the required clearances from the heater to the combustibles. Signs must either be posted adjacent to the heater thermostats or in the absence of such thermostats, in a conspicuous location.

⚠ WARNING



Not for residential use!

This heater is not approved in any residential application. This includes (but is not limited to) the home, living quarters, attached garages, etc. Installation in residential indoor spaces may result in property damage, serious injury or death.

For Your Safety If you smell gas:

- Do not try to light any appliance.
- Do not touch any electrical switch.
- Do not use any phone in your building.
- Immediately call your gas supplier from a neighbor's phone.
- Follow the gas supplier's instructions.
- If you cannot reach your gas supplier, call the fire department.

Keep these instructions for future reference.

Dayton® High Intensity Heaters

E
N
G
L
I
S
H

1.0 Safety	3
Safety Symbols	3
Applications	3
Clearance to Combustibles	4
Standards, Certifications and Government Regulations	6
Heater Dimensions	7
Safety Signs and Labels	8
2.0 Installation	9
Design	9
Heater Placement	10
Heater Mounting	12
Ventilation	14
Gas Supply	15
Electrical	17
3.0 Operation	19
4.0 Maintenance	20
Troubleshooting Guide	21
Heater Assembly Components	22
Parts Listing	23
5.0 Limited Warranty	24

Models 3E132 thru 3E134, 3E460 thru 3E462, 5VD57 thru 5VD66, 3VH34 thru 3VH37

1.0 Safety

⚠ WARNING



Improper installation, adjustment, alteration, service or maintenance can cause property damage, serious injury or death. Read and understand, the installation, operating and maintenance instructions thoroughly before installing or servicing this equipment. Only trained, qualified gas installation and service personnel may install or service this equipment.

Safety Symbols

Safety is the most important consideration during installation, operation and maintenance of the infra-red heater. You will see the following symbols and signal words when there is a hazard related to safety or property damage.

⚠ WARNING

Warning indicates a potentially hazardous situation which, if not avoided, could result in death or injury.

⚠ CAUTION

Caution indicates a potentially hazardous situation which, if not avoided, could result in minor or moderate injury.

NOTICE

Notice indicates a potentially hazardous situation which, if not avoided, could result in property damage.

Applications

This is not an explosion proof heater. Consult your local fire marshal, insurance carrier and other authorities for approval of the proposed installation.

Commercial / Industrial

Infra-red heaters are designed and certified for use in industrial and commercial buildings such as warehouses, manufacturing plants, aircraft hangars and vehicle maintenance shops. For maximum safety, the building must be evaluated for potential hazards before installing the heater system. A critical safety factor to consider before installation is the clearance to combustibles.

Residential

This heater is **NOT** approved for use in any residential application. This includes, but not limited to, attached garages, living quarters, solariums, etc. Consult the local fire marshal and/or insurance provider if unsure of your application.

⚠ WARNING



Not For Residential Use.

Installation of an infra-red heater system in residential indoor spaces may result in

property damage, serious injury or death.

Dayton® High Intensity Heaters

Clearance to Combustibles

⚠ WARNING



Improperly connected gas lines may result in serious injury and death, explosion, poisonous fumes, toxic gases, asphyxiation. Connect gas lines in accordance to national, state, provincial and local codes.



Placement of explosive objects, flammable objects, liquids and vapors close to the heater may result in explosion, fire, property damage, serious injury or death. Do not store, or use, explosive objects, liquids and vapor in the vicinity of the heater.



Failure to comply with the published clearances to combustibles could result in personal injury, death and/or property damage.

Hazards Include:

For maximum safety the building must be evaluated for hazards before installing the heater system. Examples include, but are not limited to:

- Gas and electrical lines
- Combustible and explosive materials
- Chemical storage areas
- Areas of high chemical fume concentrations
- Provisions for accessibility to the heater
- Adequate clearances around air openings
- Combustion and ventilating air supply
- Vehicle parking areas
- Vehicles with lifts or cranes
- Storage areas with stacked materials
- Lights
- Sprinkler heads
- Overhead doors and tracks
- Dirty, contaminated environment

⚠ CAUTION



Signs shall be posted specifying the maximum permissible stacking height in order to maintain clearances to combustibles.

A critical safety factor to consider before installation is the clearances to combustibles. Clearance to combustibles is defined as the minimum distance you must have between the infra-red surface, or reflector, and the combustible item. Considerations must also be made for moving objects around the infra-red heater. The following is a partial list of items to maintain clearances from:

Combustible Items Include:

- Wood
- Paper
- Fabric
- Chemicals
- Wall or roof insulation

Moving Objects Include:

- Overhead doors
- Vehicles on lifts
- Cranes
- Hoists
- Car wash equipment

When installing the infra-red heater system, the minimum clearances to combustibles must be maintained. These distances are shown in Chart 1.1 and on the heater. If you are unsure of the potential hazards, consult your local fire marshal, fire insurance carrier or other qualified authorities on the installation of gas fired infra-red heaters for approval of the proposed installation.

Models 3E132 thru 3E134, 3E460 thru 3E462, 5VD57 thru 5VD66, 3VH34 thru 3VH37

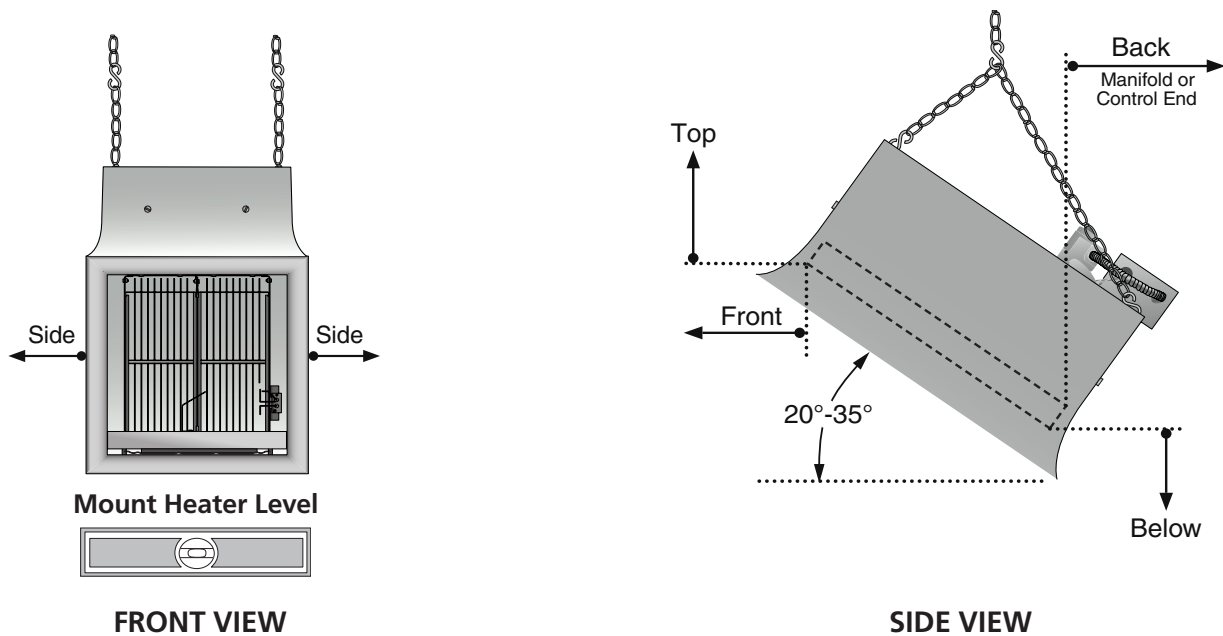
Chart 1.1 - Clearance to Combustibles in Inches (see Figure 1.1)

Model No.	BTU/H	Gas Type	Voltage	Sides	Back	Top	Below/Front
3E132	30,000	Natural	120V	30	18	28	72
3E460	30,000	Propane	120V	30	18	28	72
5VD61	30,000	Natural	24V	30	18	28	72
5VD62	30,000	Propane	24V	30	18	28	72
3E133	60,000	Natural	120V	32	18	40	72
3E461	60,000	Propane	120V	32	18	40	72
5VD63	60,000	Natural	24V	32	18	40	72
5VD64	60,000	Propane	24V	32	18	40	72
3E134	90,000	Natural	120V	48	30	42	98
3E462	90,000	Propane	120V	48	30	42	98
5VD65	90,000	Natural	24V	48	30	42	98
5VD66	90,000	Propane	24V	48	30	42	98
130,000		N or LP	24 or 120V	48	30	52	120
160,000		N or LP	24 or 120V	50	32	60	132

E
N
G
L
I
S
H

NOTE: If the heater is mounted beneath a non-combustible surface, a 24 in. minimum top clearance must be maintained from the top of the heater to prevent overheating the controls.

Figure 1.1 - Clearance to Combustibles Diagram



Dayton® High Intensity Heaters

Standards, Certifications and Governmental Regulations

The installation of this heater must comply with all applicable local, state and national specifications, regulations and building codes (contact the local building inspector and/or fire marshall for guidance) before installing the heater system.

In the absence of local codes, the installation must conform to the latest edition of the National Fuel Code ANSI Z223.1 (NFPA 54).

Refer to the following Standards and codes for application specific guidelines:

Public Garages:

The installation of this heater in public garages must conform with the Standard for Parking Structures, ANSI/NFPA 88A (latest edition), or the Standard for Repair Garages, ANSI/NFPA 88B (latest edition) and must be at least 8 ft. above the floor.

Aircraft Hangars:

The installation of this heater in aircraft hangars must conform with the Standard for Aircraft Hangars, ANSI/NFPA 409 (latest edition). The heater must be installed at least 10 ft. above the upper wing surfaces and engine enclosures of the highest aircraft which might be stored in the hangar. In areas adjoining the aircraft storage area, the heaters must be installed at least 8 ft. above the floor. The heaters must be located in areas where they will not be subject to damage by aircraft, cranes, moveable scaffolding or other objects.

High Altitude:

The installation of this heater is approved, without modifications, for elevations up to 6,000 ft. MSL (sea level). Contact Dayton for installations above these elevations.

Electrical:

The heater, when installed, must be electrically grounded in accordance with the National Electrical Code ANSI/NFPA 70 (latest edition). Under no circumstances is either the electrical supply line or gas supply line to provide any assistance in the suspension of the heater.

Ventilation:

This heater must be installed in accordance with the requirements set forth in this manual and with the NFPA 54/ANSI Z223.1 National Fuel Gas Code (latest edition). See ventilation requirements on page 14.

Dayton® units comply or are certified by one or more of the following organizations or standards:

- CSA International (CSA).
- American National Standards (ANSI Z83.19a).
- Occupational Safety and Health Act (OSHA).
- Underwriters Laboratory (UL).

Models 3E132 thru 3E134, 3E460 thru 3E462, 5VD57 thru 5VD66, 3VH34 thru 3VH37

Figure 1.2 - Heater Dimensions

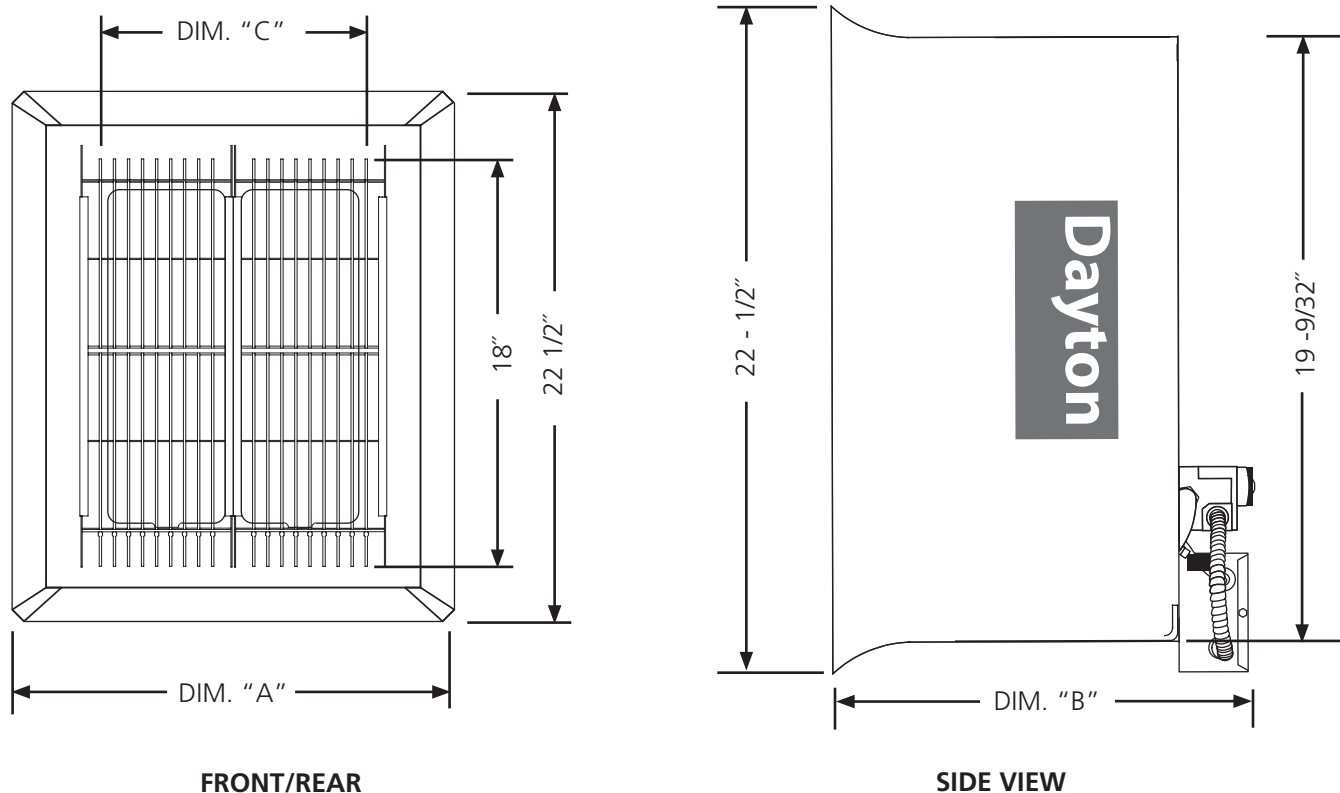


Chart 1.2 - Heater Dimensions

MODEL BTU/H	HEATER WIDTH DIM "A"	HEATER DEPTH DIM "B"	RAYHEAD(S) WIDTH DIM "C"	HANGING WEIGHT
30,000	12 3/4"	14 1/4"	5"	18 lbs.
60,000	19 1/8"	15 1/4"	11 1/2"	27 lbs.
90,000	26 5/8"	15 1/4"	18"	36 lbs.

Dayton® High Intensity Heaters

Safety Signs and Labels

It is important to provide warnings to alert individuals to potential hazards and safety actions. ANSI Z83.19a and the National Fuel Gas Code require you to post a sign "specifying the maximum permissible stacking height to maintain the required clearances from the heater to the combustibles" near the heaters thermostat or in absence of such thermostats in a conspicuous location. Signs should state the hazards for the particular application and be legible to the building occupants. Consult the factory or a factory representative for additional information on signage compliance.

Safety warning labels must be maintained on the infra-red heater. Illustrations of the safety labels, and their locations, are pictured below.

E
N
G
L
I
S
H

DAYTON INFRA-RED RADIANT HEATER
FOR INDOOR INSTALLATION ONLY

MODEL NO.	INPUT BTU/H	FOR USE WITH
3E133E	60,000	NAT GAS

DESIGN COMPLIES WITH: ANSI Z83.19-2001 GAS FIRED HIGH INTENSITY INFRA-RED HEATERS

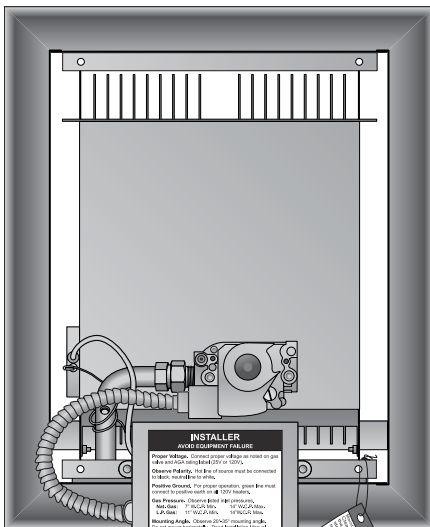
Min. Inlet Pressure: 6.0in. W.C.P.
 Min. Inlet Pressure for Purpose of Input Adjustment: 14.0in. W.C.P.
 Min. Inlet Pressure for Purpose of Input Adjustment: 7.0in. W.C.P.

VOLTS AC: 60Hz
 AMPS - Starting: 0.1
 AMPS - Running: 0.1
 Heater Type: C1

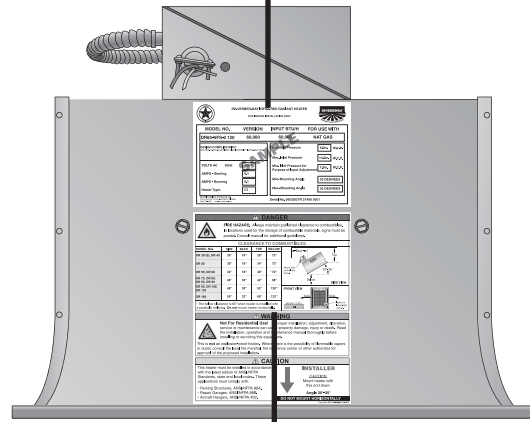
Min. Mounting Angle: 20 DEGREES
 Max. Mounting Angle: 35 DEGREES

MANUFACTURED FOR: DAYTON ELECTRIC MFG. CO. MADE IN MEXICO U.S.A.
 Serial No. 0603DETR 21400 0001

Back Panel



Bottom Panel



Rating Plate

⚠ DANGER
FIRE HAZARD. Always maintain published clearance to combustibles. In locations used for the storage of combustible materials, signs must be posted. Consult manual for additional guidelines.

CLEARANCE TO COMBUSTIBLES

MODEL NO.	SIDE	BACK	TOP	BELOW
30,000 BTU/H 3E132, 3E460, 5VD61, 5VD62	30"	18"	28"	72"
60,000 BTU/H 3E133, 3E461, 5VD63, 5VD64	32"	18"	40"	72"
90,000 BTU/H 3E134, 3E462, 5VD65, 5VD66	48"	30"	42"	98"
130,000 BTU/H	48"	30"	52"	120"
160,000 BTU/H	50"	32"	60"	132"

Do not mount heater horizontally.

⚠ WARNING
Not For Residential Use! Improper installation, adjustment, alteration, service or maintenance can cause property damage, injury or death. Read the installation, operation and maintenance manual thoroughly before installing or servicing this equipment.

This is **not** an explosion-proof heater. Where there is the possibility of flammable vapors or dusts, consult the local fire marshal, fire insurance carrier or other authorities for approval of the proposed installation. Always maintain minimum ventilation requirements.

⚠ CAUTION
 This heater must be installed in accordance with the latest edition of ANSI/NFPA Standards, state and local codes. These applications must comply with:
 • Parking Structures, ANSI/NFPA 88A.
 • Repair Garages, ANSI/NFPA 88B.
 • Aircraft Hangars, ANSI/NFPA 409.

INSTALLER CAUTION
 Mount heater with this end down
Angle 20°-35°
DO NOT MOUNT HORIZONTALLY

INSTALLER
 AVOID EQUIPMENT FAILURE

Proper Voltage. Connect proper voltage as noted on gas valve and AGA rating label (25V or 120V).

Observe Polarity. Hot line of source must be connected to black; neutral line to white.

Positive Ground. For proper operation, green line must connect to positive earth on all 120V heaters.

Gas Pressure. Observe listed inlet pressures.
 Nat. Gas: 7" W.C.P. Min. 14" W.C.P. Max.
 L.P. Gas: 11" W.C.P. Min. 14" W.C.P. Max.

Mounting Angle. Observe 20°-35° mounting angle. Do not mount horizontally. Read Installation Manual.

Wiring Diagram. Found inside of this box.

LLDR002-10M-03/06 (M/WG)

⚠ WARNING
 AVOID SERIOUS INJURY, DEATH OR PROPERTY DAMAGE.

Maintain Clearances to Combustibles to Prevent the Risk of Fire. Clearances to combustibles must be maintained in order to prevent the ignition of combustible materials. In locations used for the storage of combustible materials, signs must be posted to specify the maximum permissible stacking height to maintain the required clearances from the heater to the combustibles. Signs must either be posted adjacent to the heater thermostats or in the absence of such thermostats in a conspicuous location. Clearances are provided on the heater's safety labels and in the heater's Installation & Operation Manual. Refer to applicable ANSI or NFPA-54 Standards or local codes for further information. Post this tag adjacent to the heater's thermostat or controls before operating the heater.

INSTALLER. READ AND POST THIS NOTICE.

F/N: LL01 - Clearance Safety Tag
 (Affix adjacent to heater's thermostat)

F/N: LLDRO02

F/N: LLDCL002

Models 3E132 thru 3E134, 3E460 thru 3E462, 5VD57 thru 5VD66, 3VH34 thru 3VH37

2.0 Installation

WARNING



Read and understand, the installation, operating and maintenance instructions thoroughly before installing or servicing this equipment.

Only trained, qualified gas installation and service personnel may install or service this equipment.

Design

To ensure a safe, properly designed heating system, a layout should be developed for the correct placement of the infra-red heater(s). Aside from safety factors such as clearance to combustibles (see Chart 1.1 on page 5), you should take into consideration: the environment (e.g., cold/drafty, average, protected), heat coverage (sq. ft.) needed, heater centers, the distance behind a person or work station(s) and exhaust path. Also, the effective infra-red surface temperature of a person or object may be diminished with wind above 5 mph. Wind barrier(s) may be required. Most importantly, clearance to combustibles must always be maintained! Refer to hazards on page 4.

This installation manual, along with national, state, provincial and local codes, address these issues. It is critical that you read, understand and follow all guidelines and instructions. Always inspect and evaluate the mounting conditions, space for exhaust, gas supply and wiring.

Perimeter mounting of infra-red heaters provides the most effective distribution of heat. The recommended spacing between the heaters is shown in Chart 2.1. Add additional heaters in the center of the space when heaters are spaced further than the recommended distance (see Figure 2.1).

CAUTION

This heater cannot be used in a building with an uninsulated roof or condensation problems can occur.

Factory recommended mounting heights (see Chart 2.2) are listed as a guideline. If infra-red heaters are mounted too low or too high, they may result in discomfort or lack of heat. The factory generally recommends observing the recommended mounting heights to optimize comfort conditions. However, certain applications such as spot heating, freeze protection, outdoor patio heating or very high ceilings may result in the heaters being mounted outside of the recommended mounting heights.

When heated, materials high in hydrocarbons (solvents, paint thinner, mineral spirits, formaldehydes, etc.) can evaporate. This may result in odors or fumes being emitted into the environment. To correct this problem, clean the area and/or introduce additional ventilation. Heaters installed and serviced in accordance with the installation manual do not emit foul odors into the environment.

IMPORTANT: Fire sprinkler heads must be located at an appropriate distance from the heater. This distance may exceed the published clearance to combustibles. Certain applications will require the use of high temperature sprinkler heads or relocation of the heaters.

Potentially flammable substances, such as Propylene Glycol or antifreeze solutions, are **not** to be used in conjunction with this heater.

For further information consult NFPA 13. Always observe applicable state and local codes.

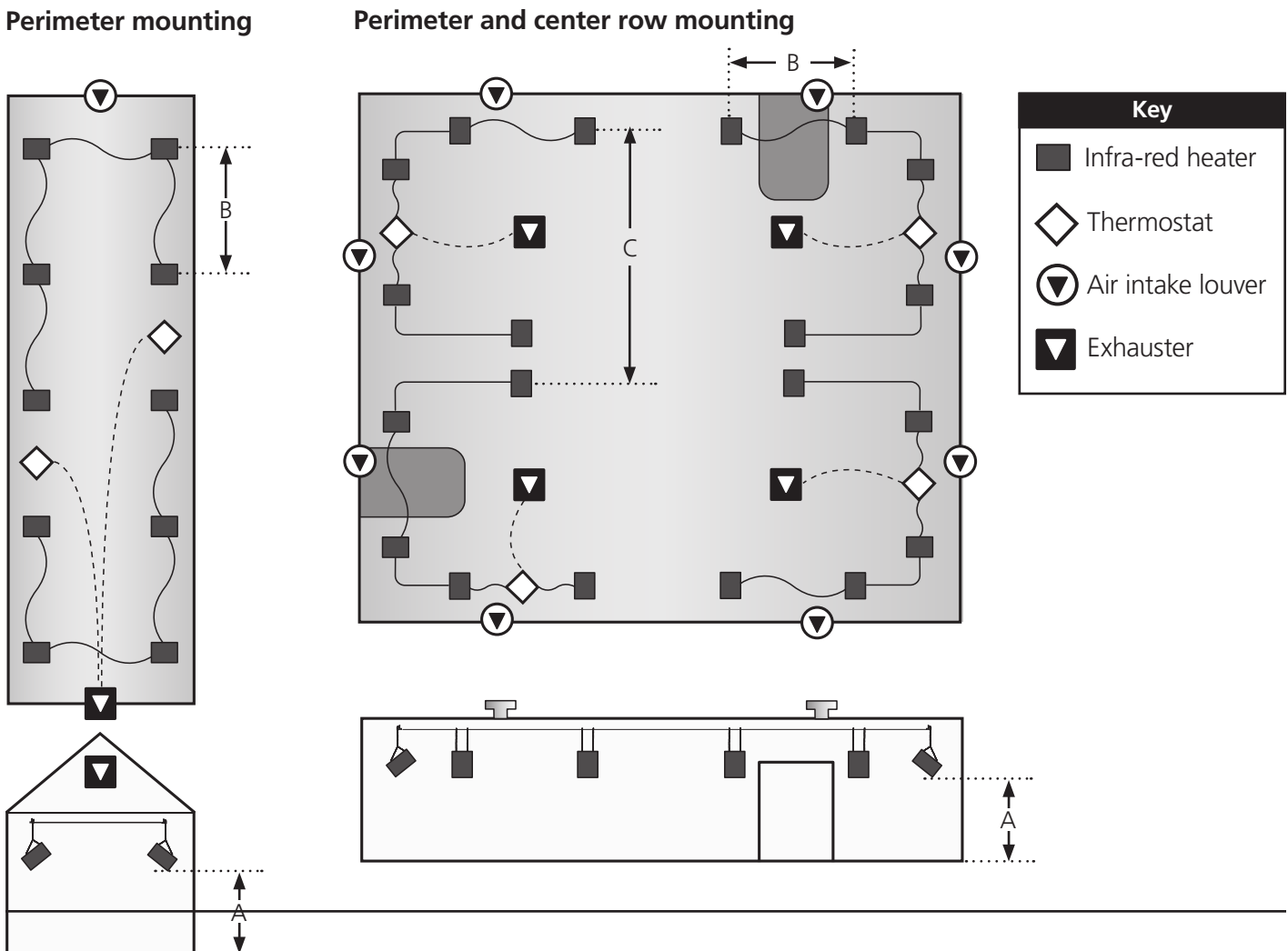
Dayton® High Intensity Heaters

Chart 2.1 - Recommended Mounting Heights and Distances for "Total Area" Heating

BTU/H Input	Mounting Heights Dim. A		Distance Between Heaters Dim. B (ft.)	Distance Between Heater Rows Dim. C (ft.)	Distance Between Heater and Wall (ft.)
	30° Angle Standard Reflector (ft.)	30° Angle Parabolic Reflector (ft.)			
30,000	12-14	12-15	8-30	10-70	6
60,000	14-16	18-21	15-43	15-90	12
90,000	16-18	21-25	20-55	20-110	12

Factory recommended mounting heights are listed as a guideline. If infra-red heaters are mounted too low or too high, they may result in discomfort or lack of heat. The factory generally recommends observing the recommended mounting heights to optimize comfort conditions. However, certain applications such as spot heating, freeze protection, outdoor patio heating or very high ceilings may result in the heaters being mounted outside of the recommended mounting heights.

Figure 2.1 - Total Area Heating Sample Layout



E
N
G
L
I
S
H

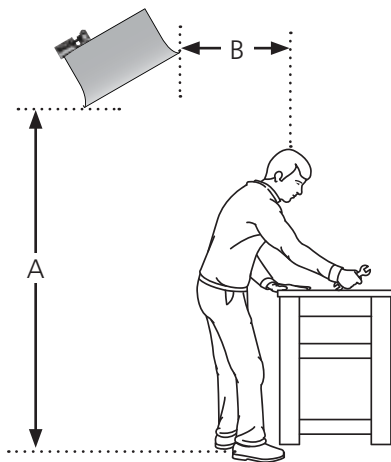
Models 3E132 thru 3E134, 3E460 thru 3E462, 5VD57 thru 5VD66, 3VH34 thru 3VH37

Chart 2.2 - Recommended Mounting Heights and Distances for "Spot" Heater Location

BTU/H Input	Type of Area (Surroundings)	Approx. Area Covered	Approx. Coverage (sq. ft.)	Recommended Mounting Height (Dim. A)						Distance Behind Person or Work Station (Dim. B)	Centers for Full Coverage (Spot & Area) Htg. Only
				10'	12'	14'	16'	18'	20'		
30,000 BTU/H	Cold/Drafty	10' x 10'	100	9'						4'	10'
	Average	12' x 12'	144	10'	12'					5'	12'
	Protected/Insul.	14' x 14'	196		12'	14'				6'	14'
60,000 BTU/H	Cold/Drafty	16' x 16'	256		12'	14'				6'	16'
	Average	18' x 18'	324			14'	16'			7'	18'
	Protected/Insul.	20' x 20'	400				16'	18'		8'	20'
90,000 BTU/H	Cold/Drafty	20' x 20'	400				16'	18'		9'	20'
	Average	24' x 24'	576					18'	20'	10'	24'
	Protected/Insul.	28' x 28'	784						20'	11'	26'

E N G L I S H

Figure 2.2 - Spot Heater Heights



Dayton® High Intensity Heaters

Heater Mounting

⚠ WARNING



Failure to maintain minimum clearance to combustibles may result in fire and/or explosion, property damage, serious injury or death. Always maintain minimum clearances and post clearance safety limit signs where needed. Signs should state the hazards for the particular application and be legible to the building occupants. Consult the factory or a factory representative for additional information on signage compliance.

The heater can be suspended with chains or rigid threaded rod. Local codes, or conditions that would cause the unit to move (e.g., wind drafts, blowers, crane rails, etc.), may require rigid threaded rod. Consult all applicable codes before installation.

⚠ WARNING



Improper suspension of the infra-red heater may result in collapse and being crushed. Always suspend from a permanent part of the building structure that can support the total force and weight of the heater.

⚠ WARNING

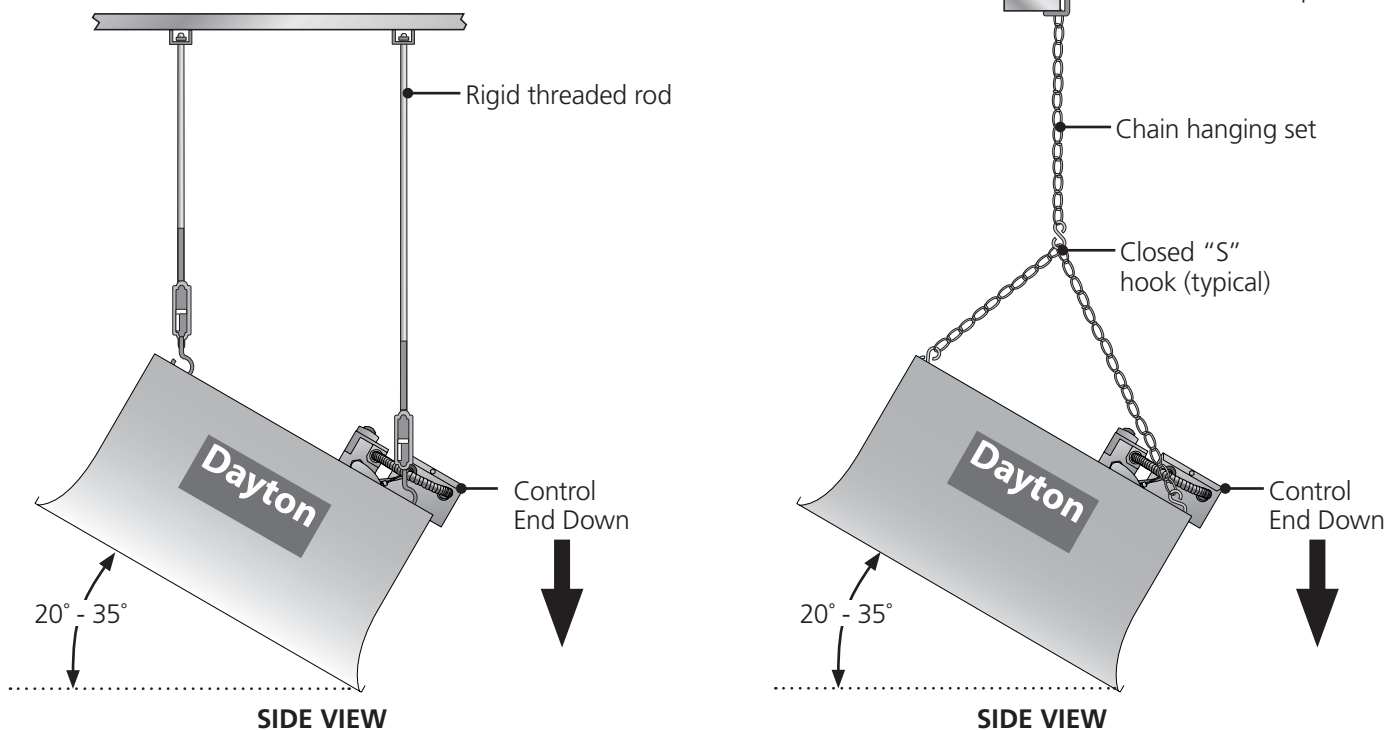


Avoid Equipment Failure.

Important: The heater must be level from side to side (front view) and between 20° and 35° from horizontal (side view). The spark ignitor, manifold and controls must be located on lower end.

Installing this unit on any other angle or in a horizontal position will cause damage to the heater's controls. See figure 2.4.

Figure 2.3 • Heater Mounting



Models 3E132 thru 3E134, 3E460 thru 3E462, 5VD57 thru 5VD66, 3VH34 thru 3VH37

Figure 2.4 Heater Orientation

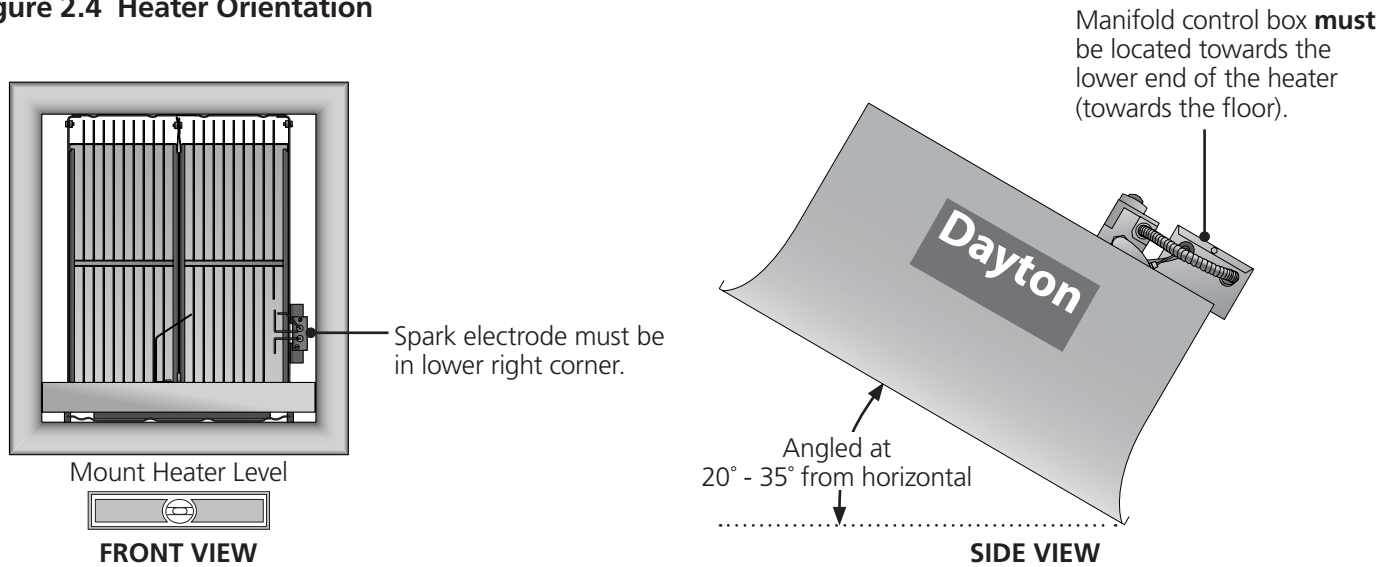
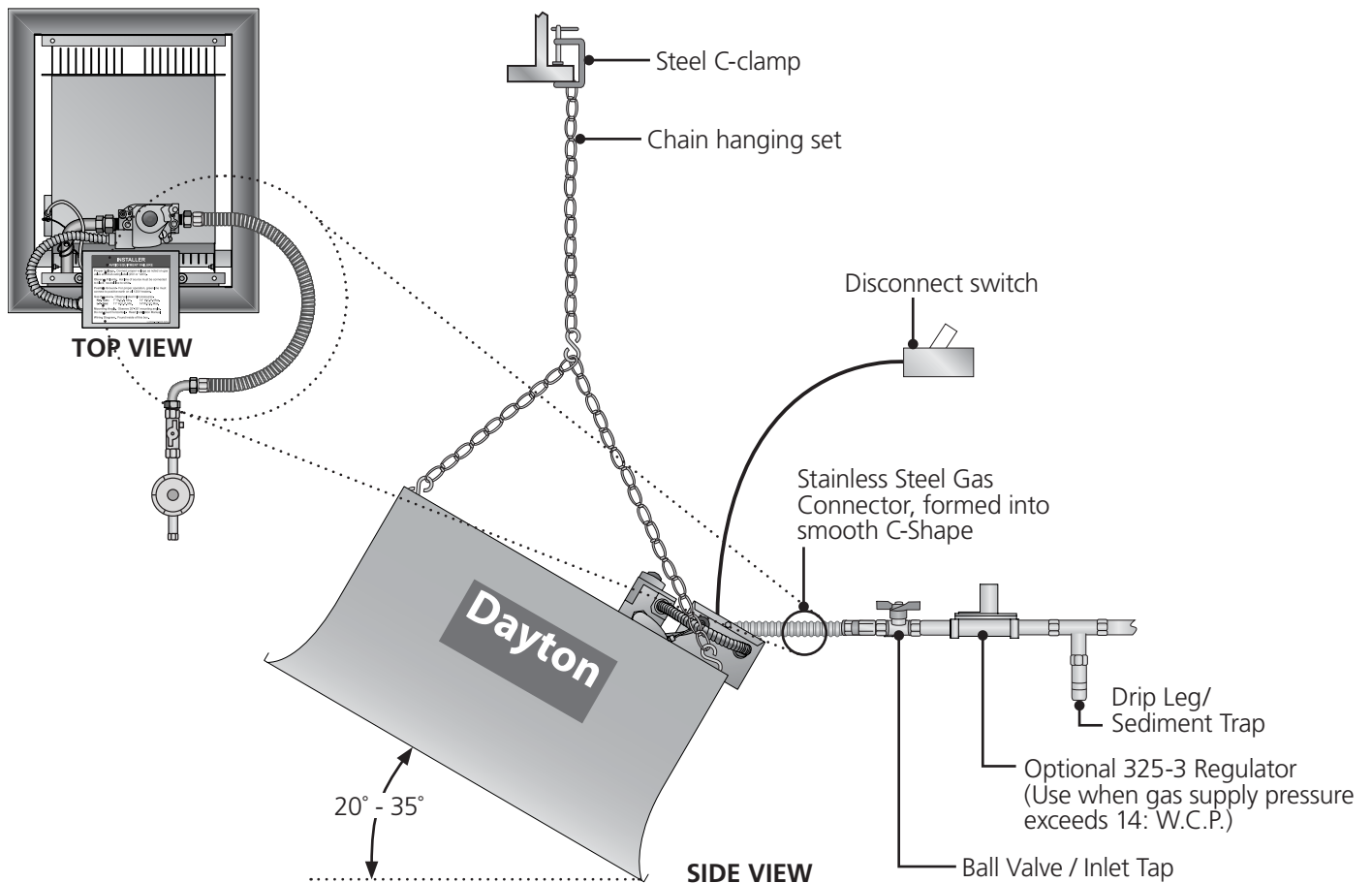


Figure 2.5 • Gas Connection



E
N
G
L
I
S
H

Dayton® High Intensity Heaters

Ventilation

⚠ WARNING



Improper ventilaton may result in property damage, health problems, carbon monoxide poisoning, injury or death.

It is required that the upper levels of the space to be heated are properly ventilated to supply combustion air to the heaters and to sufficiently dilute the products of combustion. It is also required that the flue discharge area is kept clear of gas piping and electrical wiring (see Figure 2.6).

This infra-red heater must be vented in accordance with national, state, provincial and local codes and the guidelines in this manual. In the United States refer to the latest edition of ANSI Z223.1 (NFPA 54) and in Canada refer to the latest edition of the CAN/CGA B149.2 Standard.

Provisions must also be made to provide sufficient fresh air intake area and exhaust air outlet area. For proper ventilation, a positive air displacement of **4.0 CFM per 1000 BTU/H of natural gas** consumed must be provided. If propane is used, a positive air displacement of **4.5 CFM per 1000 BTU/H of propane gas** consumed must be provided.

Where insufficient air movement exists, induced air displacement is required. A balanced system is essential to avoid negative building pressure which causes excessive infiltration, unfavorable drafts and affects combustion efficiency.

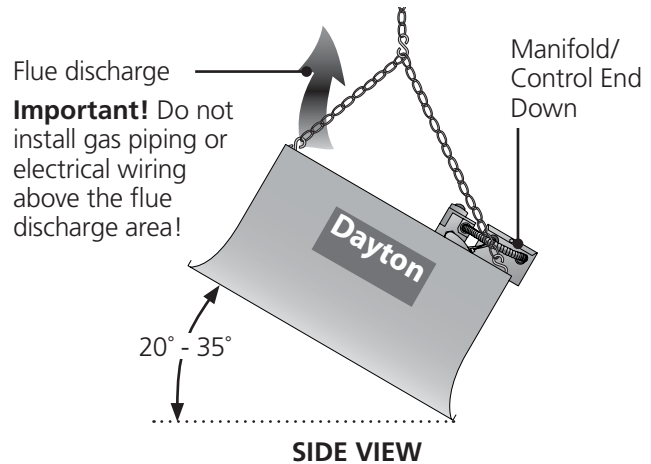
Air displacement may be accomplished by either gravity or mechanical means. Mechanical exhausters are preferred and typically mounted at high points on the roof where stagnant air accumulates inside the building. For a flat roof, considerations of prevailing winds, high and low pressure areas, and distribution of air movement must be taken into consideration when locating exhausters.

⚠ CAUTION



Ventilate enclosed spaces and buildings according to national, state, provincial and local codes. Failure to provide adequate ventilation may result in equipment malfunctions, condensation and other air quality issues.

Figure 2.6 Hot Flue Discharge



Best air distribution is accomplished by using a number of small exhausters versus one large exhauster. Provide a minimum of one square inch of inlet area per 1000 BTU/H for combustion air supply. Inlet opening in the building should be well distributed (see Figure 2.1) high in the sidewalls and should direct incoming air upward to dilute products of combustion while preventing drafts at lower levels. Inlets are typically 1 to 3 sq. ft.

Local codes may require that mechanical exhaust systems be interlocked with heaters to enable both to function simultaneously (see page 17, Figure 2.7) or allow control of exhausters with a ceiling mounted humidistat.

Models 3E132 thru 3E134, 3E460 thru 3E462, 5VD57 thru 5VD66, 3VH34 thru 3VH37

Gas Supply

WARNING



Improperly connected gas lines may result in fire, explosion, poisonous fumes, toxic gases, asphyxiation or death. Connect gas lines in accordance to national, state, provincial and local codes.

The gas supply to the infra-red heater must be connected and tested in accordance with national, state, provincial and local codes along with the guidelines in the Dayton® High Intensity Heater manual. In the United States refer to the latest edition of the ANSI Z223.1 (NFPA 54) Standard, and in Canada refer to the latest edition of the CAN/CGA B149.2 Standard.

Important! Before connecting the gas supply to the infra-red heater(s):

- Check that the gas piping and service has the capacity to handle the load of all heaters being installed, as well as any other gas appliances being connected to the supply line.
- Check that the main gas supply line is of proper diameter to supply the required fuel pressures.
- If utilizing used pipe, verify that its condition is clean and comparable to a new pipe. Test all gas supply lines in accordance with local codes.
- Test and confirm that inlet pressures are correct. Refer to the rating plate for required minimum and maximum pressures (see Chart 2.3). The gas supply pipe must be of sufficient size to provide the required capacity and inlet pressure to the heater (if necessary, consult the local gas company).

Chart 2.3 Manifold Pressure

Type of Gas	Required Manifold Pressure	Minimum Inlet Pressure	Maximum Inlet Pressure
Natural	6.0 in. W.C.P.	7.0 in. W.C.P.	14.0 in. W.C.P.
Liquefied Petroleum	10.0 in. W.C.P.	11.0 in. W.C.P.	14.0 in. W.C.P.

Note: Check manifold pressure at the tap located either at the outlet of the gas valve or on the gas manifold pipe. Readings will be above atmospheric pressure during operation.

Pressure Equivalents: 1 in. W.C.P. equals .058 oz/sq. in. equals 2.49 Mbar.

To connect the gas:

WARNING



Failure to install, operate or service this appliance in the approved manner may result in property damage, injury or death.

This heater must be installed and serviced by trained gas installation and service personnel only.

The gas outlet must be in the same room as the appliance and accessible. It may not be concealed within or run through any wall, floor or partition.

Dayton® High Intensity Heaters

To connect the gas:

⚠ WARNING



Failure to install, operate or service this appliance in the approved manner may result in property damage, injury or death.

⚠ WARNING



Testing for gas leaks with an open flame or other sources of ignition may lead to a fire or explosion and cause serious injury or death. Test in accordance with NFPA or local codes.

⚠ WARNING



An approved connector, suitable for the environment of equipment usage, is required. Visible or excessive swaying, flexing and vibration of the gas connections **must** be avoided to prevent failure. Neither the gas pipe nor the connector shall be placed in the 'flue discharge area'.

⚠ CAUTION

The fittings (nuts) on the flexible connector must be connected to an adapter. They may not be directly connected to the gas supply pipe.

⚠ CAUTION

In high moisture or corrosive environments, use gas supply lines and connectors suitable for the environment. Periodically inspect for signs of failure or leakage.

This heater must be installed and serviced by trained gas installation and service personnel only.

The installation of this heater must conform with local building codes or, in the absence of such codes, the National Fuel Code (NFPA 54).

The gas outlet must be in the same room as the appliance and accessible. It may not be concealed within or run through any wall, floor or partition.

1. Install a sediment trap / drip leg if condensation may occur at any point of the gas supply line. This will decrease the possibility of loose scale or dirt in the supply line entering the heater's control system and causing a malfunction. Note: High pressure gas above 14 in. W.C.P. (water column pressure) requires a high pressure regulator and ball valve (field supplied).
2. Form the stainless steel flexible connector (field supplied) into a smooth C-shape allowing 12 in. between the flexible connector's end nuts. Figure 2.5.
3. Attach the ball valve (field supplied) to the gas supply pipe. Apply pipe compound to NPT adapter threads to seal the joint. Use only a pipe compound resistant to liquid petroleum. **NOTE:** Provide a 1/8 in. NPT plugged tapping accessible for test gauge connection immediately upstream of gas connection to the heater (provided on ball valve, when supplied).
4. Attach the flexible connector to the adapter and burner control box inlet. Seal the joints. **NOTE:** Excessive torque on the manifold may misalign the orifice. Always use two wrenches to tighten mating pipe connections.
5. Final assembly must be tested for gas leaks.

Models 3E132 thru 3E134, 3E460 thru 3E462, 5VD57 thru 5VD66, 3VH34 thru 3VH37

Electrical

⚠ WARNING



Electric Shock Hazard.

Field wiring to the heater must be connected and grounded in accordance with national, state, provincial, local codes and to the guidelines in the this manual. In the United States refer to the most current revisions to the ANSI/NFPA 70 Standard and in Canada refer to the most current revisions of the CSA C22.1 Part I Standard.

Control systems are initiated by either 120 VAC or 24 VAC. The 120 VAC systems can be used directly from a 120 VAC line. On 24 VAC systems, transformers must be used to supply power of sufficient VA rating for single or multiple connected installations.

Important! Proper grounding and polarity are essential for heaters with spark ignition controls. If the system is not properly grounded, it cannot determine the presence of a flame and will lockout and shut off.

⚠ CAUTION

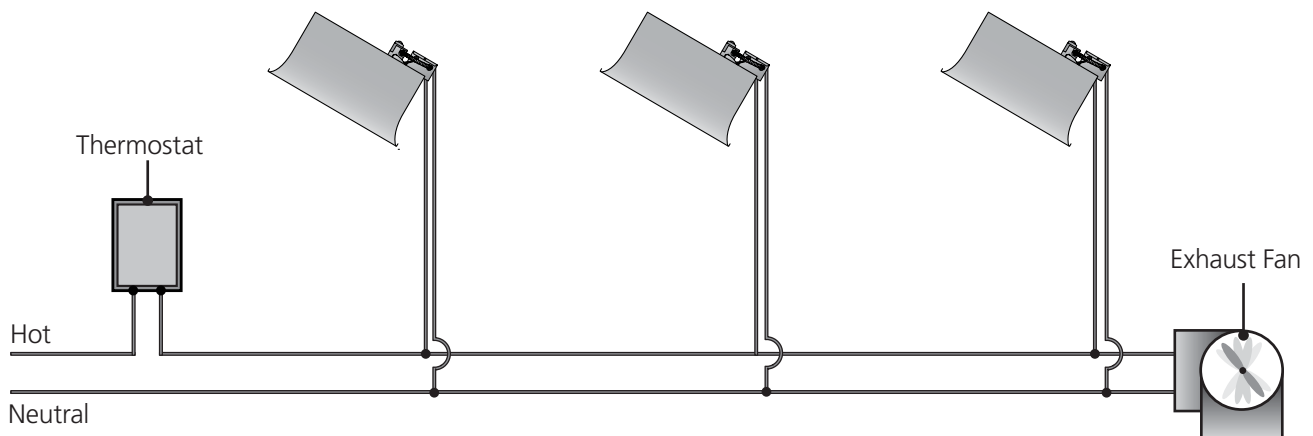


Avoid Equipment Failure.

Do not install 120V to a 24V control system.

For wiring of controls on the unit see the wiring diagram included on page 18. It is recommended that the thermostat be installed on the hot side of a fused supply line and have a sufficient ampere capacity rating for the heater(s) it will control. The ventilation system may be controlled separately from the heating system (consult local codes) by the use of a humidistat that closes when the humidity rises. The humidistat control should be installed at roof level. For summer ventilation, a simple on/off switch can be installed at the occupant level.

Figure 2.7 - Typical Field Wiring



Dayton® High Intensity Heaters

Wiring Diagrams

Figure 2.9 - 24 V Schematic (5VD57 thru 5VD66)

- Direct Spark Ignition
- VA Draw: 12
- Amps: .48
- Potted Circuit Board

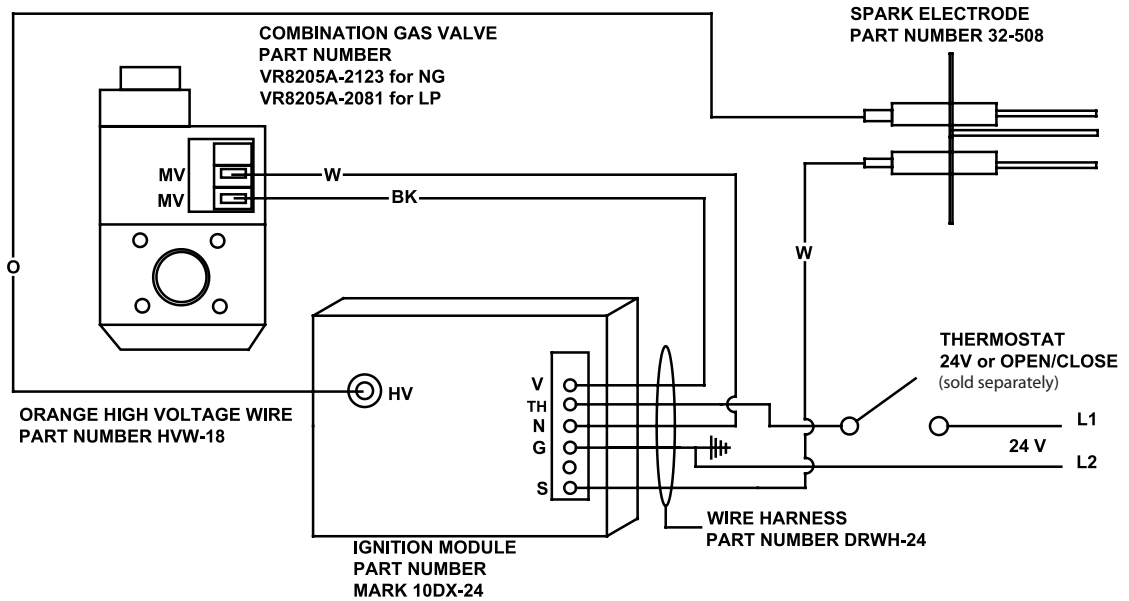
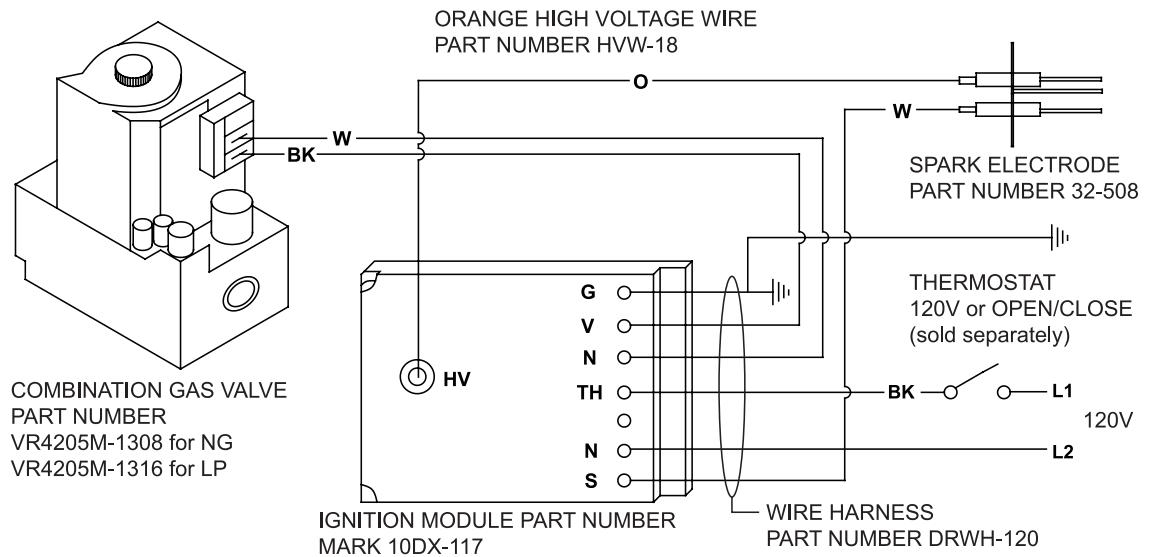


Figure 2.10 - 120 V Schematic (3E132 thru 3E134, 3E460 thru 3E462, 3VH34 thru 3VH37)

- Direct Spark Ignition
- VA Draw: 12
- Amps: .10
- Potted Circuit Board



E
N
G
L
I
S
H

Models 3E132 thru 3E134, 3E460 thru 3E462, 5VD57 thru 5VD66, 3VH34 thru 3VH37

3.0 Operation

Upon satisfactory completion of the electrical supply and purging of the gas supply line to the heater(s), follow the lighting instructions on the heater's rating label to put the heater into operation.

Lighting Instructions

1. Rotate the heater's valve knob to the "ON" position.
2. Close electrical circuit (typically the thermostat).
3. If the heater fails to light, turn off gas, open electrical circuit and wait 5 minutes before repeating the above steps.

Shutdown Instructions

1. Open electrical circuit.
2. Rotate the heater's valve knob to the "OFF" position.

⚠ WARNING



Do not attempt to ignite heater by hand. Failure to comply could result in personal injury, property damage, explosion, fire or death.

Sequence of Operation

Starting Circuit: Upon a call for heat, voltage is applied to L1 and Neutral. After a pre-purge, the spark electrode is energized and the gas valve opens. The trial for ignition is 15 seconds. If flame is not sensed, the heater will attempt two more times to reignite.

Running Circuit: After ignition, the sensing electrode monitors the burner flame. If sense of flame is lost, the control immediately acts to reignite the gas-air mixture. If flame sense is not established within 15 seconds, the heater will attempt two additional ignition sequences before proceeding to hard lockout. The control can be reset by briefly interrupting the power source.

Dayton® High Intensity Heaters

4.0 Maintenance

It is recommended that the following become a standard yearly procedure to obtain maximum operating efficiency and trouble free operation.

During long periods of non-usage, remove or cover heater with a polyethylene bag and shut off gas supply. If further service to the heater is desired, contact your representative or the factory.

Main Burner

1. Gently use an air hose to blow any accumulated dust and/or dirt off the heater. Air hose pressure must not exceed 30 psig.
2. Gently pass the air hose over the entire exposed area of the ceramic. A distance of 2' to 4' from the unit is recommended. **NOTE:** Blowing out the gasket material will permanently damage the rayhead.
3. Gently place the air hose outlet into each venturi tube and allow the air to flow for approximately one minute.
4. See troubleshooting chart (page 21) if there are any signs of burner malfunction. Replace if necessary.

Gas Supply

1. Periodically inspect the gas supply for signs of corrosion or failure. Replace if necessary.

⚠ WARNING



Use protective glasses when cleaning the heater.



Disconnect power to heater before servicing.



Do not operate unit if repairs are necessary. Do not operate unit showing any signs of burner malfunction. Call a professional for assistance.

⚠ CAUTION



Avoid Equipment Failure.

Do not blow out heating elements with high pressure air.

Models 3E132 thru 3E134, 3E460 thru 3E462, 5VD57 thru 5VD66, 3VH34 thru 3VH37

Chart 4.1 Troubleshooting Guide

Symptom	Possible Cause	Corrective Action
Burning of gas-air mixture inside plenum (flashback).	<ul style="list-style-type: none"> • Heater mounted at incorrect angle. • Excessive drafts. • Gas leaking or blocked orifice/venturi. • Separation of ceramic grids. • Ceramic grids cracked. 	<ul style="list-style-type: none"> • Mounting angle 20°-35° from horizontal. • Relocate or shield from draft. • Do not operate unit. Check with leak detector solution. • Do not operate unit. Replace rayhead. • Do not operate unit. Replace rayhead.
Delayed ignition.	<ul style="list-style-type: none"> • Electrode out of specification. • Low gas pressure. • Partially blocked orifice. • Improper orifice size. • Incorrect gas. 	<ul style="list-style-type: none"> • See figure 4.2. • See Gas Supply section. • Clean or replace. • Consult dealer. • Do not operate unit. See unit nameplate. Correct immediately.
Low ceramic surface temperature, excessive rollout or soot on rods.	<ul style="list-style-type: none"> • Dirty or plugged rayhead ceramics. • Partially blocked orifice. • Low inlet gas pressure. • Low manifold gas pressure. • High manifold pressure. • Foreign matter in venturi tube. • Gas supply piping too small. • Incorrect gas. 	<ul style="list-style-type: none"> • See maintenance instructions. • Remove and clean. • See Gas Supply section. • Adjust main valve regulator for 6" W.C.P. natural gas, 10" W.C.P. propane. • Adjust main valve regulator for 6" W.C.P. natural gas, 10" W.C. P. propane. • See periodic maintenance instructions. • Increase inlet pressure or replace. • Do not operate unit. See unit nameplate. Correct immediately.
Control system overheating.	<ul style="list-style-type: none"> • Heater not mounted correctly. • Heater mounted too close to ceiling. 	<ul style="list-style-type: none"> • Mounting angle 20°-35° from horizontal. • Observe clearance to combustibles safety chart located on heater reflector. Do not operate unit.
Gas odor.	<ul style="list-style-type: none"> • Loose pipe connection. 	<ul style="list-style-type: none"> • Check all connections with leak-detector solution, tighten as necessary.
Heater cycles repeatedly.	<ul style="list-style-type: none"> • Heater located in drafty area. • Low gas pressure. • Thermostat located in drafty area. • Weak pilot flame. 	<ul style="list-style-type: none"> • Relocate or shield from draft. • See Gas Supply section for propane. • Replace thermostat. • Clean or adjust pilot.
No spark; no ignition.	<ul style="list-style-type: none"> • Lack of 120V or 24V incoming voltage. • Open high voltage wire. • Improper electrode gap. • Loose or open wire connection. • Poor or no equipment ground. • Unit in "safety lockout" mode. • Defective "gas lighter" control. 	<ul style="list-style-type: none"> • Proper voltage needed or repair wire. • Isolate and ohm for resistance, replace if "0". • See figure 4.2. • Check all wires, tighten or replace. • Trace ground wire for complete circuit back to equipment ground from control. • Interrupt power source, repeat trial for ignition. • Verify proper voltage. Replace.
Heater lights, and "locks out" after approximately 10 seconds.	<ul style="list-style-type: none"> • Poor or no equipment ground. • Polarity is reversed. • Low gas pressure. • Electrode not sensing. • Heater mounted at incorrect angle. 	<ul style="list-style-type: none"> • Check all connections, provide positive earth ground. • 120V to black, neutral to white. • See Gas Supply section. • Relocate or replace if defective. • Mounting angle 20°-35° from horizontal.
Spark is present. No main gas operation. Unit "locks out".	<ul style="list-style-type: none"> • Gas valve in "Off" position. • Defective main valve solenoid. • Defective "Gas lighter" control. 	<ul style="list-style-type: none"> • Turn to "On" position. • Isolate and check for resistance. Replace if "0". • Verify proper voltage. Replace.
Heater will not shut off.	<ul style="list-style-type: none"> • Defective thermostat or wiring. • Gas valve stuck open. • High gas pressure. 	<ul style="list-style-type: none"> • Replace or repair. • Replace. • See Gas Supply section.

Dayton® High Intensity Heaters

Heater Assembly Components

NOTE: Replacement burners are called "rayheads" with rod inserts (part no. DR-RH and DR-ROD).

Ceramic grids are not sold separately, order full assembly (part no. DR-RH).

Figure 4.1 - Heater Assembly Components (side view)

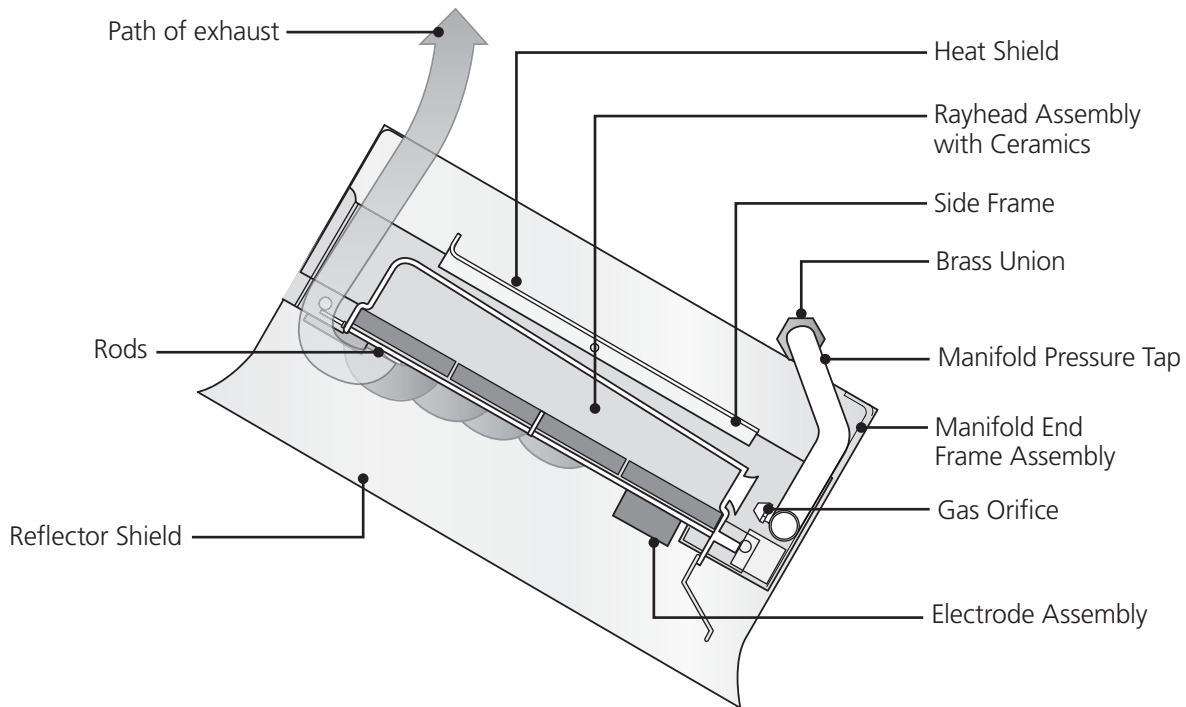


Figure 4.2 - Spark Electrode Side View

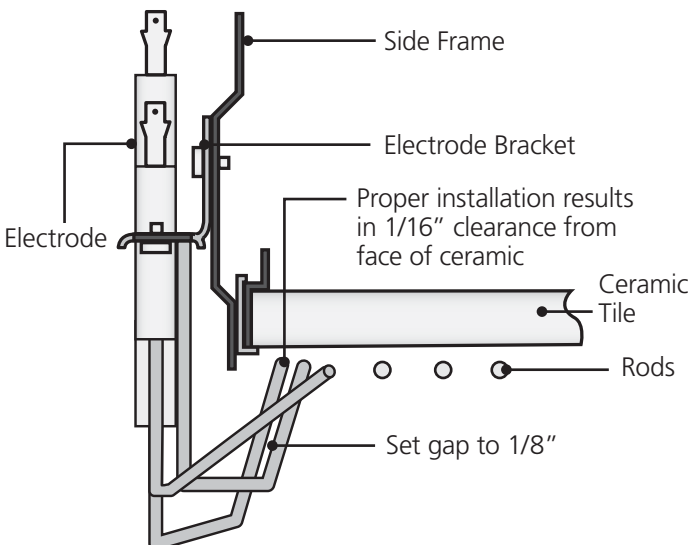
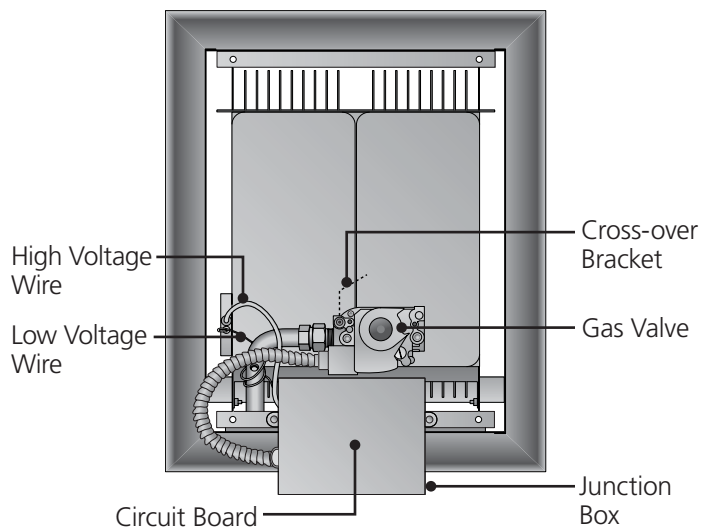


Figure 4.3 - Heater Components (rear view)



E
N
G
L
I
S
H

Models 3E132 thru 3E134, 3E460 thru 3E462, 5VD57 thru 5VD66, 3VH34 thru 3VH37

Parts Listing

Chart 4.2 - Direct Spark Control Components

Part No.	Description	Voltage
VR8205A-2123	Combination gas valve, natural gas	25V
VR4205M-1308	Combination gas valve, natural gas	120V
VR8205A-2081	Combination gas valve, propane gas	25V
VR4205M-1316	Combination gas valve, propane gas	120V
32-508	Main burner electrode	25V, 120V
Mark-10DX-24	25V circuit board	25V
DRWH-24	Wiring harness for Mark-10DX-24 circuit board	25V
Mark-10DX-117	120V circuit board	120V
DRWH-120	Wiring harness for Mark-10DX-117 circuit board	120V
HVW-18	High voltage ignition wire	25V, 120V
LVW-18	Low voltage ignition wire	25V, 120V

Chart 4.3 - Miscellaneous Core Components

Part No.	Description	Part No.	Description
DR-MAN#	Manifold (specify 1, 2 or 3)	DR-SROD	Short rayhead rod
DR-UF#	Upper frame	DR-MU	3-piece brass union
DR-HS#	Heat shield (specify 1, 2 or 3)	ORF-#	Brass gas orifice (specify model number)
DR-FLSH#	Flash shield (specify 1, 2 or 3)	DR-FC	3/8" flex conduit
DR-RFE#	Reflector End (specify 1, 2 or 3)	DR-FL31	3/8" conduit attachment fitting
DR-#REF	Full Reflector Assembly (specify 1, 2 or 3)	DR-EMB	Electrode mounting bracket
DR-SF	Side frame	DR-RSB	Red Rubber Spark Boot
DR-SFI	Side frame insert	DR-LVG	Low volt black wire grommet
DR-ERS	Embossed reflector sides	DR-HVG	High volt black wire heyco grommet
DR-RH	Rayhead with center support	JB-0514	JB-0514 junction box
DR-RHP	Rayhead no center support (3E460 and 5VD62 only)	DR-20MB	#20tpi 1/4" x 1/2" Machine Screw
DR-CO	Cross-over bracket	DR-20HN	#20tpi 1/4" x 1/2" - Hex Nut (mates to DR-20MB)
DR-LROD	Long rayhead rod	DR-20STB	1/4 - 20 x 1/2" self-tap DR bolt

Reference proper part number when ordering these parts:

- 1 = 3E132, 3E460, 5VD61, 5VD62
- 2 = 3E133, 3E461, 5VD63, 5VD64
- 3 = 3E134, 3E462, 5VD65, 5VD66

WARNING



Contact factory for conversion assistance.

Note: Gas type conversions require gas valve, gas orifice among other changes. Conversion may also require burner and crossover changes.

Dayton® High Intensity Heaters

5.0 Limited Warranty

Dayton One-Year Limited Warranty. Dayton Radiant High Intensity Heaters, Models 3E132, 3E460, 5VD61, 5VD62, 3E133, 3E461, 5VD63, 5VD64, 3E134, 3E462, 5VD65, 5VD66 covered in this manual, are warranted by Dayton Electric Mfg. Co. (Dayton) to the original user against defects in workmanship or materials under normal use for one year after date of purchase. Any part which is determined to be defective in material or workmanship and returned to an authorized service location, as Dayton designates, shipping costs prepaid, will be, as the exclusive remedy, repaired or replaced at Dayton's option. For limited warranty claim procedures, see PROMPT DISPOSITION below. This limited warranty gives purchasers specific legal rights which vary from jurisdiction to jurisdiction.

Additional Limited Warranty. In addition to the above mentioned one-year warranty, Dayton warrants the original purchaser an additional 4-year extension on the ceramic burner (DR-RH Rayhead Assembly). This extension excludes electrical/purchased components.

Limitation of Liability. To the extent allowable under applicable law, Dayton's liability for consequential and incidental damages is expressly disclaimed. Dayton's liability in all events is limited to and shall not exceed the purchase price paid.

Warranty Disclaimer. Dayton has made a diligent effort to provide product information and illustrate the products in this literature accurately; however, such information and illustrations are for the sole purpose of identification, and do not express or imply a warranty that the products are merchantable, or fit for a particular purpose, or that the products will necessarily conform to the illustrations or descriptions. Except as provided below, no warranty or affirmation of fact, expressed or implied, other than as stated in the "LIMITED WARRANTY" above is made or authorized by Dayton.

Product Suitability. Many jurisdictions have codes and regulations governing sales, construction, installation, and/or use of products for certain purposes, which may vary from those in neighboring areas. While Dayton attempts to assure that its products comply with all codes, it cannot guarantee compliance, and cannot be responsible for how the product is installed or used. Before purchase and use of a product, review the product applications, and all applicable national and local codes and regulations, and be sure that the product, installation, and use will comply with them.

Certain aspects of disclaimers are not applicable to consumer products: e.g., (a) some jurisdictions do not allow the exclusion or limitation of incidental or consequential damages, so the above limitation or exclusion may not apply to you: (b) also, some jurisdictions do not allow a limitation on how long an implied warranty lasts, consequently the above limitation may not apply to you: and (c) by law, during the period of this limited warranty, any implied warranties of implied merchantability or fitness for a particular purpose applicable to consumer products purchased by consumers, may not be excluded or otherwise disclaimed.

Prompt Disposition. Dayton will make a good faith effort for prompt correction or other adjustment with respect to any product which proves to be defective within limited warranty. For any product believed to be defective within limited warranty, first write or call dealer from whom the product was purchased. Dealer will give additional directions. If unable to resolve satisfactorily, write to Dayton at address below, giving dealer's name, address, date and number of dealer's invoice, and describe the nature of the defect. Title and risk of loss pass to buyer on delivery to common carrier. If product was damaged in transit to you file claim with carrier.

Manufactured for Dayton Electric Mfg. Co., 5959 W. Howard St., Niles, Illinois 60714 U.S.A.

**Manufactured for Dayton Electric Mfg. Co.,
Niles, Illinois 60714 U.S.A.**

Free Manuals Download Website

<http://myh66.com>

<http://usermanuals.us>

<http://www.somanuals.com>

<http://www.4manuals.cc>

<http://www.manual-lib.com>

<http://www.404manual.com>

<http://www.luxmanual.com>

<http://aubethermostatmanual.com>

Golf course search by state

<http://golfingnear.com>

Email search by domain

<http://emailbydomain.com>

Auto manuals search

<http://auto.somanuals.com>

TV manuals search

<http://tv.somanuals.com>