

DAYTON SPECIFICATIONS

Dayton® Double Bowl Sink Models D22519 and D23319

GENERAL

Sink bowls are formed of #22 gauge, nickel bearing stainless steel. Self-rimming.

DESIGN FEATURES

Bowl Depth: 6-1/4" (D22519), 6-7/16" (D23319).

Coved Corners: Interior vertical and horizontal corners are rounded to a minimum of 2-1/4" radii.

Finish: Exposed surfaces are polished to a satin finish.

Underside: As described below.

OTHER

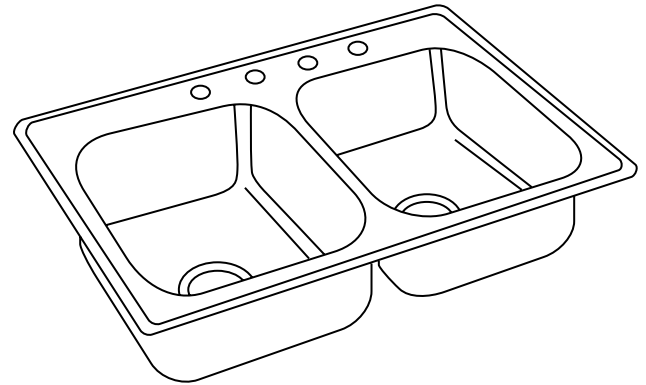
Drain Opening: 3-1/2".

NOTE: Unless otherwise specified, sink is furnished with 4 faucet holes as shown.

These sinks comply with ASME A112.19.3-2000.



These sinks are listed by the International Association of Plumbing and Mechanical Officials as meeting the requirements of the Uniform Plumbing Code.



Model D233194

SINK DIMENSIONS (INCHES)*

Model Number	Overall		Inside Each Bowl			Cutout in Countertop (1 1/2" Radius Corners)		No. of 1 1/2" Dia. Faucet Holes 4" Center	Minimum Cabinet Size
	L	W	L	W	D	L	W		
	A	B	C	D	E	L	W		
D22519	25	19	10	14	6 1/4	24 3/8	18 3/8	3 or 4	30
D23319	33	19	14	14	6 7/16	32 3/8	18 3/8	3 or 4	36
D623319	33	19	14	14	6 7/16	32 3/8	18 3/8	3 or 4	36
D5023319	33	19	14	14	6 7/16	32 3/8	18 3/8	3 or 4	36

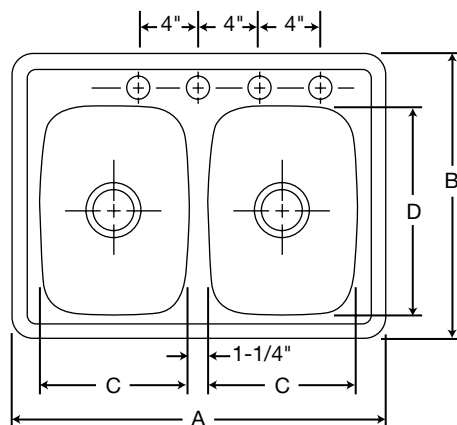
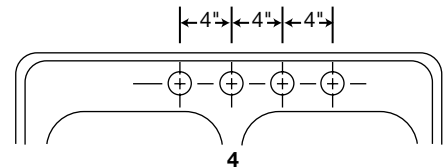
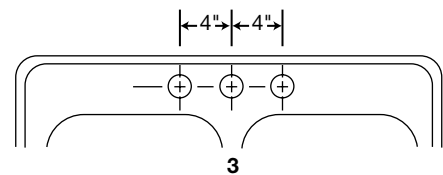
*Length is left to right. Width is front to back.

D-Prefix sinks are packed one per shipping carton. Sink bowl is fully undercoated.

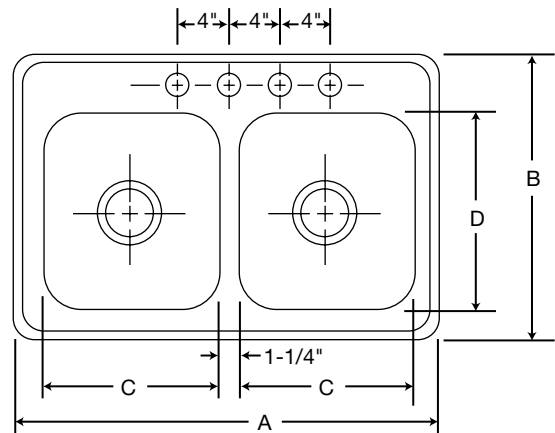
D6-Prefix sinks are nested 6 units per shipping carton. Sink bowls are sound deadened on bottom only.

D50-Prefix sinks are nested 50 units per shipping carton. Sink bowls are sound deadened on bottom only.

HOLE DRILLING CONFIGURATIONS



E is Bowl Depth
Model D225194 Illustrated



E is Bowl Depth
Model D233194 Illustrated

ALL DIMENSIONS IN INCHES, TO CONVERT TO MILLIMETERS MULTIPLY BY 25.4.

In keeping with our policy of continuing product improvement, Elkay reserves the right to change product specifications without notice.

This specification describes an Elkay product with design, quality and functional benefits to the user. When making a comparison of other producers' offerings, be certain these features are not overlooked.

Elkay

elkayusa.com

2222 Camden Court
Oak Brook, IL 60523

Printed in U.S.A.
©2007 Elkay

(Rev. 1/07) 2-50A

Free Manuals Download Website

<http://myh66.com>

<http://usermanuals.us>

<http://www.somanuals.com>

<http://www.4manuals.cc>

<http://www.manual-lib.com>

<http://www.404manual.com>

<http://www.luxmanual.com>

<http://aubethermostatmanual.com>

Golf course search by state

<http://golfingnear.com>

Email search by domain

<http://emailbydomain.com>

Auto manuals search

<http://auto.somanuals.com>

TV manuals search

<http://tv.somanuals.com>