



You can rely on Defy. To simplify.



JE210

INSTRUCTION MANUAL
JUICE EXTRACTOR

Read this manual before operation of the appliance!

Dear Customer,

Congratulations on the purchase of your new Defy appliance!

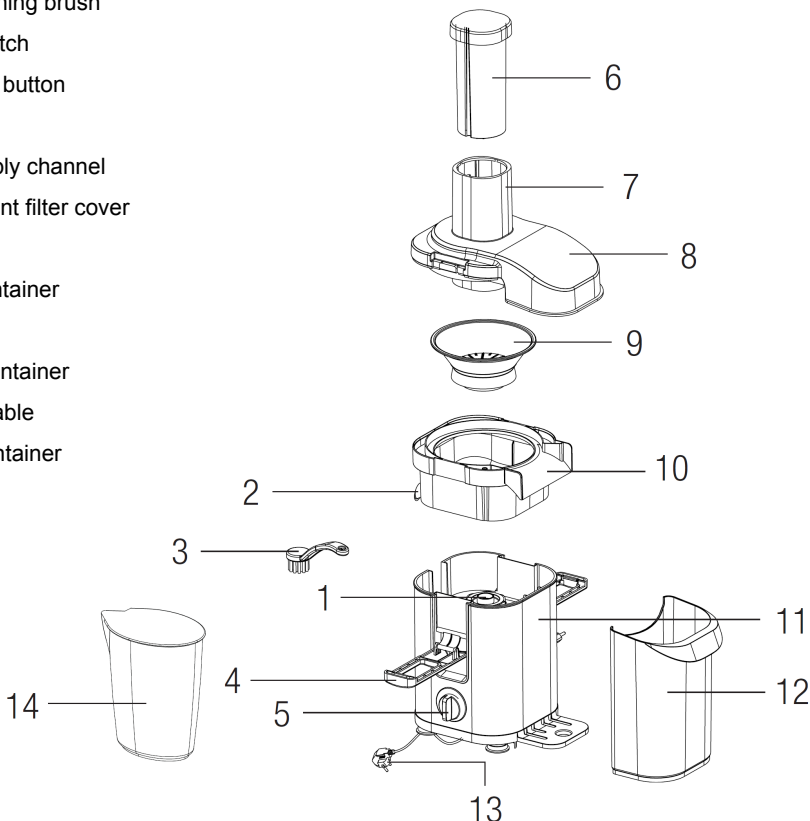
Please read this manual carefully before using your appliance for the first time and then store it within easy reach for future reference. We trust you will enjoy years of trouble free use.

The user manual:

- This manual will provide you with information on how to safely operate and care for your appliance in order that you gain the maximum benefit from it.
- Pay particular attention to any safety instructions.

Controls and parts

1. Gripper
2. Juice outlet
3. Filter cleaning brush
4. Locking latch
5. Operating button
6. Pusher
7. Food supply channel
8. Transparent filter cover
9. Filter
10. Filter container
11. Body
12. Dregs container
13. Power cable
14. Juice container



1 Safety and set-up

Please read this instruction manual thoroughly prior to using this appliance! Follow all safety instructions in order to avoid damages due to improper use!

Keep the instruction manual for future reference. Should this appliance be given to a third party, then this instruction manual must also be handed over.

General safety

- Never touch any rotating part of the appliance. Do not attach or detach any components of appliance until it stops completely.
- Never attempt to dismantle the appliance. No warranty claim shall be accepted for damages resulting from erroneous usage.
- Always use your appliance on a balanced, flat, clean and dry surface.
- Check the filter every time you use the appliance. Do not use the appliance whenever you see a crack or damage and take it to the authorised service center.
- Never put your fingers or any other substance into the food channel. Only the pusher should be used for this purpose.
- Only unlock the locking latch after you have switched the appliance off by On/Off switch and the filter has come to a full stop.
- Remove seeds of fruits with big seeds such as peach, apricot, plum and cherry, and peel off the fruits with thick rind or inedible rind.

Electrical safety

- To extract more juice, don't push the pusher hastily.
- Check whether voltage specified on the rating plate of the appliance matches the local mains voltage. Only way to disconnect the power of the appliance is to unplug it.
- This appliance should be connected to a maximum 30 mA domestic residual current protection fuse for additional protection. Please contact an electric technician for recommendations.
- Do not immerse the appliance, its power cable or its plug in water or in any other liquid.

- Always unplug the power cord of the appliance after using the appliance, assembling/disassembling its parts or cleaning it, leaving the room where the appliance is located or when a failure happens. Do not unplug the appliance by pulling from its power cord.
- Do not squeeze or bend the power cord of the appliance or do not rub it against the corners in order not to damage it. Keep away the power cord from hot surfaces and open flame.
- Do not use an extension with the appliance.
- Never use the appliance if it or its power cord is faulty.
- **Our Household Appliances meet applicable safety standards, thus if the appliance or power cord is damaged, it must be repaired or replaced by the dealer, a service centre or a similarly qualified and authorized service person to avoid any dangers. Faulty or unqualified repair work may cause danger and risks to the user.**
- Never operate any component of this appliance on or near a gas range, hot plate or hot surfaces such as a heated oven or do not place them on these surfaces.
- Make sure that there is not any danger that the power cable of device is pulled by mistake or anyone trips on it during its use.
- Appliance should always be installed with its power cord in an easily accessible manner.
- Do not operate the appliance for more than 2 minutes at a time when heavy loads and let it cool down sufficiently afterwards by turning the switch knob to "0".
- Do not operate the appliance continuously for more than 10 seconds.

Product safety

- Clean all components of the appliance carefully which contact the food before first use. For details, refer to "Cleaning and Maintenance" section.

Safety and set-up



- Operate the appliance empty for 10 seconds and then start to extract the juice.
- Use the appliance only with its accessories supplied with it.
- Appliance will switch off automatically for protection purposes when it is excessively strained. Switch off the appliance by moving the on/off switch to "0" position and remove the food that causes the strain. You can use the appliance for juice extraction again after waiting for 10 seconds.
- Always use your appliance on a balanced, flat, clean and dry surface.
- Do not remove the dregs container when the appliance is in operation.
- Do not touch the small cutting blades on the base of the filter.
- Prepare the fruit at the size of the food channel to place them into it, and perform juicing.


Intended use

- The appliance is constructed to process only common household quantities. Please see details in the "Maximum quantities and processing time" section.

Children's safety

- Always keep the appliance out of the reach of children.
- **This appliance is not intended for use by persons (including children) with reduced physical, sensory or mental capabilities or lack of experience and knowledge, unless they have been given supervision or instruction concerning the use of the appliance by a person responsible for their safety.**
- **Children should be supervised to ensure that they do not play with the appliance.**
- **Do not leave the appliance unattended as long as it is in use. Extreme caution is advised when the appliance is being used near children and people with limited physical, sensory or mental capabilities.**

	The manufacturer strives for continuous improvement. For this reason, the text and illustrations in this manual are subject to change without notice.
	If the appliance is damaged in any way do not use it. Report the damage to your dealer who will take the necessary corrective action.

	Warning: Repairs must be carried out by authorised persons only. Repairs carried out by incompetent persons create a user risk.
---	--

Record in the space below the listed information for future reference.

SERIAL NUMBER.....

DATE OF PURCHASE.....

PURCHASED FROM.....

.....

Please register your product at

www.defy.co.za

DEFY APPLIANCES (PTY) LTD
P.O.BOX 12004
JACOBS
DURBAN
4026
SOUTH AFRICA

2 Operation

Initial use

1. Unpack all parts and check if they have any visual damage or not. Contact the authorized service if there is any damage.
2. Before the initial operation, wash those parts of the appliance that will come into contact with fruits in lukewarm detergent water and dry them.

Preparation of fruits


1. Remove the seeds (plum, peach, cherry etc.).
2. Remove the rinds (melon, pineapple etc.) Wash the soft peels and other food (apple, pear, carrot, turnip etc.).
3. Remove the rinds of fruits such as oranges or grapefruits, otherwise the juice may taste bitter.
4. Please cut off the hard root parts of carrots, turnips etc. when you are juicing.
5. If the fruits such as apples and etc. does not fit into the supply channel please slice them into pieces.

3 Preparation & assembly

1. Place the dregs container to its seat on the body. Install filter container onto the body so that it will cover the dregs container.
2. Place the filter onto the holder and push downwards to install it in correct position.
3. Place the transparent filter cover. Engage the latches onto the cover and push them against the body to lock the cover.

(Figure 1) Locking latch is open

(Figure 2) Locking latch is closed.

	WARNING: 10 seconds after operating the product at the proper speed (1 or 2) stated in the user manual, put the foods into the feeding channel and start juice extracting. Otherwise, failures may arise in the product that are not covered by the warranty.
---	--

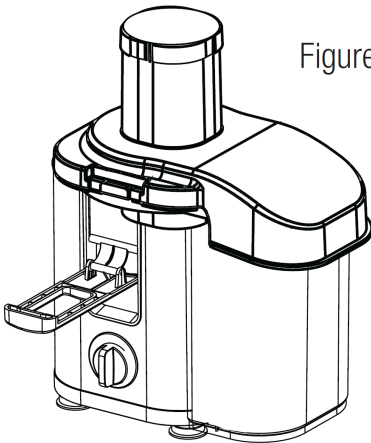


Figure 1

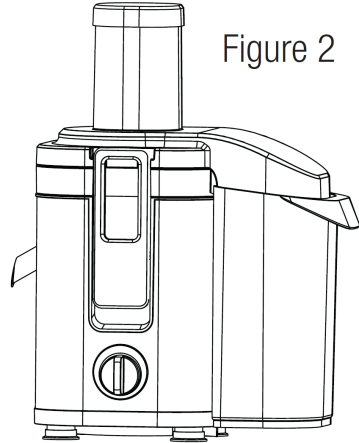





Figure 2

	WARNING: Your juicer will not work if the lid is unlocked.
	WARNING: Never insert your fingers into the food supply channel.
	WARNING: Do not operate the juicer without the dregs container fitted.

4. Place the juice container at the juice outlet and remove the cover.
5. Plug the appliance in and run it at the suitable speed level. Select low speed level for fruits such as peach and apricot. If the fruit is hard such as apple or carrot, select high speed level.
6. When using the pusher, align its groove with the notch inside the food supply channel. Push the food down with pusher.
7. Do not apply too much pressure onto the pusher if the fruits or vegetables are too big or if the food supply channel is full. This will affect the juicing performance and even stop the juicer when it is forced too much. Break the large foods into smaller pieces that can fit into the supply channel. Place the sliced foods into the supply channel and push lightly with the pusher.

Preparation & assembly

8. The foam separator in the juice container ensures that the juice is free from foam.

9. When juicing hard foods we recommend a maximum quantity of 1.5 kg in one batch with a maximum operation time of 2 minutes. Some hard foods may slow down or stop your juicer. In such a case, switch off the appliance, remove the filter and clean it.

10. If the filter is clogged during usage, switch off the appliance, empty the dregs container and clean the filter.

11. Turn off the appliance by moving the On/Off switch to "0" position after you are finished with juicing process and make sure that the filter comes to a full stop.

Taking your juicer apart

Taking the juicer apart is the reversal of the assembly procedure.

Hints

1. Insert soft food slowly to get the most juice.

2. Vitamins disappear – the sooner you drink your juice, the more vitamins you'll get.

3. If you need to store the juice for a few hours put it in the fridge. It will keep better if you add a few drops of lemon juice.



4. Don't drink more than three glasses (230 ml) of juice a day unless you are used to it.

5. Dilute juice for children with an equal amount of water.



6. Juice from dark green (broccoli, spinach etc) or dark red (beetroot, red cabbage etc.) vegetables is extremely strong, so people with diabetes or low blood sugar should avoid drinking too much.

4 Information

Cleaning and care


	WARNING: Never use petrol, solvents or abrasive cleaners, metal objects or hard brushes to clean the appliance.
	WARNING: Do not touch the chopping blades with bare hands. The blades are very sharp. Use a brush!

1. Turn the appliance off and disconnect it from the wall socket.
2. Let the appliance cool down completely.
3. Switch off your juicer, unplug it and wait until the filter stops before cleaning the appliance.
4. Remove the dirty parts from the body unit in the following order. Open the locking latch and remove the transparent filter cover together with the pusher.
-Remove the dregs container.
-Remove the filter together with the filter cover.
5. Some foods such as carrot will discolor the plastic. Wipe the discolored plastic with a cloth dampened in olive oil.
6. Wipe the body unit with a damp cloth and then dry it. Never immerse into water and do not use abrasive detergents. They may damage the body.

	Before using or storing the appliance after cleaning, dry all parts carefully using a soft towel.
	DANGER! Always disconnect the plug from the wall socket before any maintenance or cleaning.

Filter

1. There are sharp blades under the filter. The brush supplied with the product can facilitate filter cleaning. Dry the filter completely after cleaning it.
2. Check the filter regularly for signs of damage. Do not use if the filter is damaged.

	We recommend performing filter cleaning with the cleaning brush immediately after juicing process in order to facilitate cleaning.
---	--

Other parts

1. Wash with hot soapy water and then allow them dry completely. Do not wash the parts in dishwasher.
2. The juice outlet is an integral part of the filter container and cannot be removed. Please pay attention to this while cleaning the filter container.

Storage

- If you do not plan to use the appliance for a long period of time, please store it carefully.
- Make sure the appliance is unplugged and completely dry.
- Store the appliance in a cool, dry place.
- Make sure the appliance is kept out of the reach of children.


Environmental note

This appliance has been made from high quality materials and parts which can be reused and are suitable for recycling.

Do not dispose of the appliance with normal household waste at the end of its service life. Consult your local authorities for disposal information and facilities available.

Help protect the environment by recycling used appliances.

Technical data

	This appliance conforms to the European directives 2004/108/EC, 2006/95/EC, 2009/125/EC and 2011/65/EU.
--	---

Power supply: 220-240V~, 50/60 Hz

Power: 800 W

Isolation class: II

Technical and design modifications reserved.

Service Centres

If you have followed the instructions and still have a problem, contact the nearest Defy Service Centre. They will be able to advise you on any aspect of the appliance.

South African Service Agents:

BLOEMFONTEIN

160 Long Street, Hilton, Bloemfontein 9301
Tel: 051 400 3900
Bloemfontein.Service@defy.co.za

CAPE TOWN

5A Marconi Rd. Montague Gardens, 7441
Tel: 021 526 3000
CapeTown.Service@defy.co.za

DURBAN

35 Intersite Avenue, Umgeni Business Park,
Durban, 4051
Tel: 031 268 3300
Durban.Service@defy.co.za

EAST LONDON

16 Bowls Rd. Arcadia, East London, 5201
Tel: 043 743 7100
EastLondon.Service@defy.co.za

JOHANNESBURG

Cnr. Mimetes & Kruger Sts. Denver ext.12
Johannesburg, 2094
Tel: 011 621 0200 or 011 621 0300
Gauteng.Service@defy.co.za

POLOKWANE

87 Nelson Mandela Drive, Superbia 0699
Tel: 0152 92 1166 / 7 / 8 / 9
Polokwane.Service@defy.co.za

PORT ELIZABETH

112 Patterson Road, North End, Port Elizabeth
6001
Tel: 041 401 6400
PortElizabeth.Service@defy.co.za

PRETORIA

Block A1 Old Mutual Industrial Park,
Cnr. D.F.Malan Drive & Moot Str. Hermanstad,
0082
Tel: 012 377 8300
Pretoria.Service@defy.co.za

Sub-Saharan Africa Service Agents:

ZAMBIA: SOUTHGATE INVESTMENTS LTD

Plot 1606, Sheki Sheki Road
P.O. Box 33681
Lusaka, 10101, Zambia
Tel: +260 0211 242332/3
Fax: +260 0211 242933
sgiservicecentre@microlink.zm

NAMIBIA: ATLANTIC DISTRIBUTORS (PTY) LTD

10 Tienie Louw Street, Northern Industrial Area
P.O. Box 21158, Windhoek, Namibia
Tel: (061) 216162
Fax: (061) 216134
atlantic@mweb.com.na

ZIMBABWE: TRADECOMAFRICA

Trade Com Africa, 183 Loreley Crescent
Msasa, Harare, Zimbabwe
Tel: +263 4 486165/6
Cell: +263 772 469010
Cell: +263 772 469011

BOTSWANA: RAY MORGAN AGENCIES

RMA Service Centre, Plot 48, East Gate
Gaborone International Commerce Park
Kgale View, Gaborone
Botswana
Tel: +267 390 3996 / 390 3912
Fax: +267 318 7376
Cell: +267 7134 6539
service@rma.co.bw; raja@rma.co.bw

SWAZILAND: LYNDS DISTRIBUTORS

P.O Box 716, Mbabane, Swaziland, H100
Tel: (00268) 2515 4310/8
Fax: (00268) 2518 4318

MOZAMBIQUE: COOL WORLD. LDA

Rua da Resistencia No. 97B R/C
Cell: +258 84 44 61 234
coolworldlda@hotmail.com
Nosso Show Room
Av: da Industrias, Parcela No.735 * 735A
Machava, Maputo

**OTHER AREAS ARE SERVICED BY OVER 200 AUTHORISED SERVICE AGENTS.
PLEASE CONSULT THE NEAREST REGIONAL DEFY SERVICE CENTRE FOR DETAILS.**

6 Warranty

This certificate is issued by DEFY APPLIANCES (PTY) LIMITED manufacturers of Defy and Ocean products, hereinafter the Company, to the original purchaser only, of the appliance described on the certificate and shall constitute the only warranty given in respect of this appliance.

The Company warrants to the original purchaser that for a period of ONE YEAR from date of purchase the appliance is free from defect under normal domestic use, both in workmanship and material, subject to the following conditions.

1. Repair or replacement of any part of this appliance, found by the Company to be defective, shall be at the election of the Company. The Company reserves the right to effect such service through any of its Service Divisions or Authorised Service Dealers. The cost of such service shall be borne by the Company in full, provided that the appliance is located no further than 50km from a Company Service Centre or an Authorised Service Dealer. Where the appliance is located beyond the 50km radius, the purchaser shall be liable for the standard travelling charges, as determined by the Company.
2. Vitreous enamelware, fuses and lamps are specifically excluded from these warranties. It is an express condition of these warranties that the purchaser takes due care and attention in the use and maintenance of the appliance. Abuse, misuse in conflict with operating instructions, connection to incorrect voltages and subjection to commercial use shall release the Company from its obligations.
3. This warranty shall become void and cease to operate if the appliance is dismantled by, or any repairs to the appliance are effected by any persons not duly authorised by the Company, or if substitute parts not approved by the Company are used in the appliance, or if the serial number of the appliance is removed.
4. The Company shall not be responsible for damages resulting from fire, flood, civil disturbances or any Act of God. The Company shall not, in terms of these warranties be responsible nor held liable for any consequential loss or damage of any kind caused by or due to the failure or malfunction of the appliance.
5. The Company shall not be responsible for transportation or other costs other than those incurred within the provisions of Point 1 of this Certificate.
6. **For warranties in the Republic of South Africa and Sub-Saharan Africa, please contact your nearest Defy office. Please refer to page 9 for respective South African service agents and Sub-Saharan Africa service agents.**
7. Where service is requested under warranty and no fault or defect can be found by the Company, all costs incurred will be for the purchaser's account.
8. This Certificate as well as your invoice will serve as proof of purchase. For the purpose of warranty, it will be essential to produce this Certificate and invoice. Failure to do so, will render the purchaser liable for service costs.

**KEEP THIS CERTIFICATE AND SALES INVOICE AS PROOF OF
PURCHASE FOR WARRANTY PURPOSES.**

Free Manuals Download Website

<http://myh66.com>

<http://usermanuals.us>

<http://www.somanuals.com>

<http://www.4manuals.cc>

<http://www.manual-lib.com>

<http://www.404manual.com>

<http://www.luxmanual.com>

<http://aubethermostatmanual.com>

Golf course search by state

<http://golfingnear.com>

Email search by domain

<http://emailbydomain.com>

Auto manuals search

<http://auto.somanuals.com>

TV manuals search

<http://tv.somanuals.com>