

Owner's Manual



You can rely on Defy

TC 32 G and VT60 WINE COOLERS

www.defy.co.za

- 2 - Introduction
- 2 - Unpacking and handling
- 2 - Installation
- 3 - Product features
- 3 - Door reversal
- 4 - Operation
- 4 - Cleaning and Maintenance
- 5 - Owner's responsibility
- 5 - Cooling fan
- 5 - Service
- 6 - Service centres
- 7 - Warranty
- 8 - Handle fitment TC 32 G

Introduction

Congratulations on the purchase of this quality appliance. We, trust that you will enjoy many years of trouble free use. Please read these instructions carefully before using the product. This book will provide you with information on how to operate and care for your appliance in order that you gain the maximum benefit from it.



Unpacking and handling

The handle and associated hardware for model TC 32 G is packed separately with the unit at the factory and requires fitment by the end user. See the assembly instructions on page 8.

- Note : A spare PVC control panel cover is supplied with the unit. Please keep this cover in a safe place as it is required should you need to reverse the door opening.
- Please ensure that packaging material is disposed of in a responsible manner. Plastic bags for example should be cut up to prevent children playing with them and accidentally suffocating.
- If the appliance is damaged in any way, do not use it. Report the damage to your dealer, who will take the necessary corrective action.
- When moving the appliance, do not grip the unit by the door or handle. Doing so could damage or misalign the door seal.

Installation

- The appliance should be placed on a flat, level surface and in a dry, well aired place away from heat sources such as stoves, geysers and direct sunlight.
- The front levelling feet can each be rotated to compensate for any unevenness in the floor surface. Correct adjustment will prevent the unit from rocking, eliminate noise and vibration and will ensure proper door closure.

Electrical installation

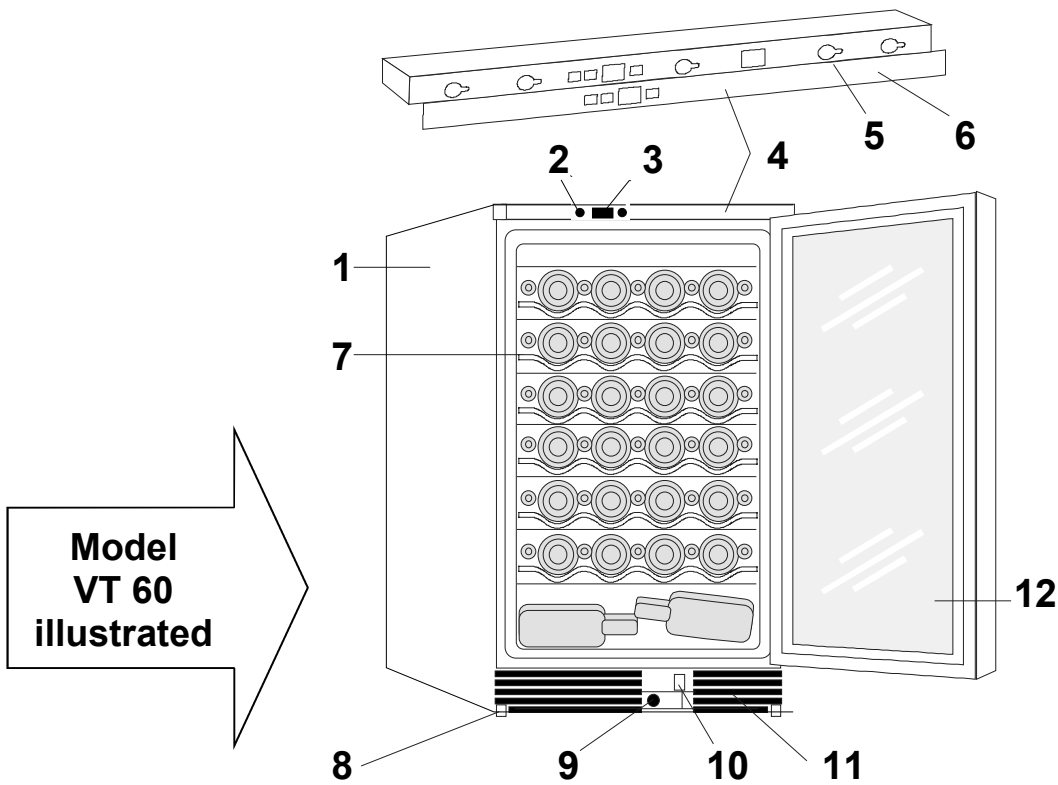


This appliance must be earthed and the manufacturer and the seller do not accept responsibility for any damage due to incorrect electrical connection.

- This appliance uses a 220-250V/50 Hz power supply.
- The unit must be plugged into a 15A earthed wall socket
- If the mains power cord is damaged, it must be replaced by a qualified electrician.

Product features

Please note that Model TC 32 G has a maximum storage capacity of 30 standard bottles and model VT 60 has a maximum storage capacity of 60 standard bottles.



- | | |
|-----------------------------------|----------------------------------|
| 1 Cabinet | 7 Shelf |
| 2 Temperature adjustment button | 8 Levelling feet |
| 3 LED indicator (degrees Celsius) | 9 Manual interior lamp switch |
| 4 Control panel | 10 Door switch for interior lamp |
| 5 Screw | 11 Grille |
| 6 PVC cover | 12 Glass door |

Door reversal

Should it be required, the door opening may be reversed to improve access.

1. Carefully pry away the PVC cover using a thin blade.
2. Unscrew the 5 screws securing the control panel and remove the panel..
3. Undo and remove the upper door hinge.
4. Remove the door by lifting it off the bottom hinge.
5. Undo and remove the bottom hinge and re-fit it on the opposite side.
6. Lower the door onto the repositioned bottom hinge.
7. Fit the upper hinge on the opposite side.
8. Re-fit the control panel using the 5 screws.
9. Carefully fit the spare PVC cover which is supplied with the unit.

Operation

- Connect to the electrical supply and switch on the power.
- Carefully load the shelves as depicted in the sketch on page 3.
- The LED indicator on the control panel will show the temperature in degrees Celsius. The adjustable range is from 5°C to 18°C
- The temperature is measured in the middle of the storage compartment. and will vary slightly from the top to the bottom. The temperature of the upper section will be slightly higher and the temperature of the bottom section will be slightly lower than the middle section. This is ideal for storing a selection of wines as red wines may be stored in the upper section, white wines may be stored in the middle section and sparkling wines may be stored in the bottom section at.
- The temperature may be adjusted by pushing the +(warmer) or -(cooler) buttons. The selected setting will be displayed in flash mode and then the display will change to show the temperature inside the cabinet. If the temperature inside the cabinet is higher than 18°C the display will show 'H'.
- Initially the compressor may run continuously for several hours to cool the entire cabinet and contents to the selected temperature. When the temperature has stabilised, the compressor will operate on automatic mode and cycle periodically to maintain the selected temperature.
- To conserve energy and maintain optimum operating temperatures it is best to restrict door openings.
- The automatic self defrosting system will eliminate any frost or moisture from forming inside the cabinet.
- The interior lamp operates when the door is opened and switches off when the door is closed. It is possible to override the door switch and operate the lamp by using the manual interior lamp switch. Do not leave the lamp permanently switched on, as this will raise the temperature inside the Cooler.

Cleaning and Maintenance

- Always disconnect the plug from the wall socket before cleaning the appliance.
- Clean the inside of the cabinet whenever necessary using a solution of warm water and Bicarbonate of Soda. (1 table spoon to every 2 litres of water).
- Dry with a soft cloth.
- Spillages, especially citric and acidic juices, must be wiped up immediately as they could stain the product.
- Use a warm, damp soapy cloth to clean the cabinet.
- To remove finger marks and smudges from the stainless steel cabinet, we recommend the use of a dedicated stainless steel cleaner or wipe the surface with a soft lint free cloth and a little baby oil.
- Do not use silver or brass cleaners, pot scourers, abrasive powders or aggressive detergents and solvents to clean the cabinet.

Owner's responsibility

Since the following are not factory faults they are the owners responsibility:

- Damage to the exterior finish.
- Breakage of glass and other components.
- Replacement of light bulbs.
- Damage caused through improper use of the appliance.
- Damage caused by moving the unit.
- Damage caused by failing to operate the unit as per the instructions.

Cooling fan

Please note that the product is fitted with a cooling fan.
The noise emitted by this fan is a normal operating condition.

Service

If the unit is not working properly, please check the following before calling a service technician to repair it.



Problem - No power supply.

1. Check the unit is plugged into a wall socket and that the socket is switched on.
2. Check the wall socket by plugging in another appliance such as a kettle.
3. Has the earth leakage tripped or has a house fuse blown?
4. Is there power to your area?

Problem - The contents are not cold.

1. Has time been allowed for the contents to be chilled after filling the unit?
2. Has the desired temperature been selected?
3. Has the door been left open?
4. Are the door seals damaged?

Remember that you may be charged for a service call even during the warranty period if the fault is caused by any of the above.

If you have followed the instructions and still have a problem, contact the nearest Defy Service Centre. They will be able to advise you on any aspect of the machine or send a qualified technician to repair it.

When calling for repairs, please quote the model number :

Defy Wine cooler model **TC 32 G** or Defy Wine Cooler model **VT 60**

Service Centres

If you have followed the instructions and still have a problem, contact the nearest Defy Service Centre. They will be able to advise you on any aspect of the product or send a qualified technician to repair it.

BLOEMFONTEIN

P.O.Box 1691 Bloemfontein. 9300.
160 Long Street, Hilton, Bloemfontein 9301.
Tel. 051 400 3900

CAPE TOWN

P.O.Box 953 Milnerton. 7435
5A Marconi Rd. Montague Gardens, Milnerton 7441.
Tel. 021 551 8314

EAST LONDON

P.O.Box 7006 East London 5200.
16 Bowls Rd. Arcadia, East London 5201.
Tel. 043 743 7100

JOHANNESBURG

P.O.Box 27150 Benrose 2011.
Cnr. Mimetes & Kruger Sts. Denver ext.12 Johannesburg. 2094.
Tel. Sales, Administration, Distribution, Commercial Head Office,
National Groups, Contracts and Credit.
Tel. 011 621 0200 or 011 621 0300

DURBAN

P.O.Box 12004 Jacobs 4026.
174 Teakwood Rd. Jacobs 4052.
Tel. 031 460 9712

POLOKWANE

P.O.Box 1719 Polokwane 0700.
87 Nelson Mandela Drive. Superbia 0699.
Tel. 0152 92 1166 / 7 / 8 / 9.

PORT ELIZABETH

P.O.Box 2971 North End 6056.
3 Sidon Str. North End Port Elizabeth. 6001.
Tel. 041 401 6400

PRETORIA

P.O.Box 19768 Pretoria West 0117.
Block A1 Old Mutual Industrial Park.
Cnr. D.F.Malan Drive & Moot Str. Hermanstad. 0082.
Tel. 012 377 0061



**OTHER AREAS ARE SERVICED BY OVER 200 AUTHORISED SERVICE AGENTS.
PLEASE CONSULT THE NEAREST REGIONAL DEFY SERVICE CENTRE FOR DETAILS.**

Warranty

This certificate is issued by DEFY APPLIANCES LIMITED manufacturers of Defy and Ocean products, hereinafter the Company, to the original purchaser only, of the appliance described on the certificate and shall constitute the only warranty given in respect of this appliance.

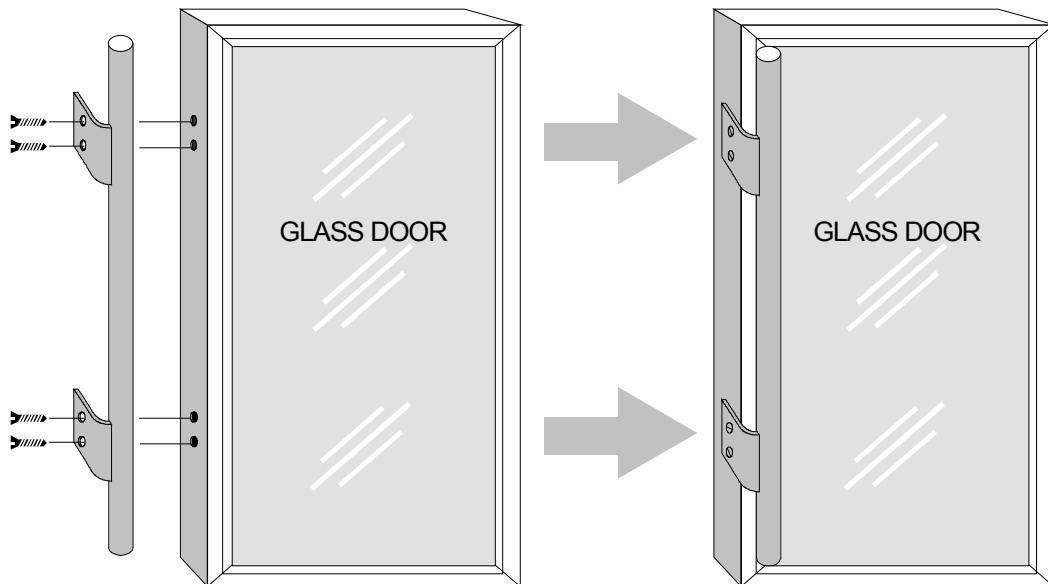
The Company warrants to the original purchaser that for a period of ONE YEAR from date of purchase the appliance is free from defect under normal domestic use, both in workmanship and material, subject to the following conditions.

1. Repair or replacement of any part of this appliance, found by the Company to be defective, shall be at the election of the Company. The Company reserves the right to effect such service through any of its Service Divisions or Authorised Service Dealers. The cost of such service shall be borne by the Company in full, provided that the appliance is located no further than 50km from a Company Service Centre or an Authorised Service Dealer. Where the appliance is located beyond the 50km radius, the purchaser shall be liable for the standard travelling charges, as determined by the Company.
2. Vitreous enamelware, fuses and lamps are specifically excluded from these warranties. It is an express condition of these warranties that the purchaser takes due care and attention in the use and maintenance of the appliance. Abuse, misuse in conflict with operating instructions, connection to incorrect voltages and subjection to commercial use shall release the Company from its obligations.
3. This warranty shall become void and cease to operate if the appliance is dismantled by, or any repairs to the appliance are effected by any persons not duly authorised by the Company, or if substitute parts not approved by the Company are used in the appliance, or if the serial number of the appliance is removed.
4. The Company shall not be responsible for damages resulting from fire, flood, civil disturbances or any Act of God. The Company shall not, in terms of these warranties be responsible nor held liable for any consequential loss or damage of any kind caused by or due to the failure or malfunction of the appliance.
5. The Company shall not be responsible for transportation or other costs other than those incurred within the provisions of Point 1 of this Certificate.
6. These warranties shall not apply to the appliance if it is purchased or used beyond the borders of the Republic of South Africa, Namibia, Botswana, Swaziland and Lesotho.
7. Where service is requested under warranty and no fault or defect can be found by the Company, all costs incurred will be for the purchaser's account.
8. This Certificate as well as your invoice will serve as proof of purchase. For the purpose of warranty, it will be essential to produce this Certificate and invoice. Failure to do so, will render the purchaser liable for service costs.

**KEEP THIS CERTIFICATE AND SALES INVOICE AS
PROOF OF PURCHASE FOR WARRANTY PURPOSES.**

Handle fitment. (Model TC 32 G only)

Use a flat tipped screw driver to attach the handle as shown in the sketch below.



You can rely on Defy

The Manufacturer strives for continuous improvements.
For this reason, the text and illustrations in this book
are subject to change without notice.

Part Number 065 204

Free Manuals Download Website

<http://myh66.com>

<http://usermanuals.us>

<http://www.somanuals.com>

<http://www.4manuals.cc>

<http://www.manual-lib.com>

<http://www.404manual.com>

<http://www.luxmanual.com>

<http://aubethermostatmanual.com>

Golf course search by state

<http://golfingnear.com>

Email search by domain

<http://emailbydomain.com>

Auto manuals search

<http://auto.somanuals.com>

TV manuals search

<http://tv.somanuals.com>