

MARK7

Custom Systems

F18 SERIES

Service and Installation Manual

Please read this manual completely before attempting to install or operate this equipment! Notify carrier of damage! Inspect all components immediately. See page 2.



Refrigerated Work Tables, Salad Tables & Freezer Bases



**IMPORTANT INFORMATION
READ BEFORE USE
PLEASE SAVE THESE INSTRUCTIONS!**

Effective Date December 2007

Contents

SERIAL NUMBER LOCATION	2
RECEIVING & INSPECTING	2
SPECIFICATIONS	3-5
INSTALLATION.....	6
OPERATION	6
CARE AND CLEANING	7
PRESSURE CONTROL SETTINGS.....	7
CONDENSING UNIT ASSEMBLY	8-9
MULLION COIL ASSEMBLY (REFRIGERATED)	10
MULLION COIL ASSEMBLY (FREEZER).....	11
DRAWER ASSEMBLY: LOW PROFILE REFR, 2 & 3 HIGH...12	
CARTRIDGE STYLE DRAWER SYSTEMS.....	13
DOOR ASSEMBLY: LOW PROFILE.....	14
DOOR ASSEMBLY: MARK 7.....	15
LOUVERED DOOR ASSEMBLY.....	15
REPLACEMENT PARTS LISTS	16-19
WIRING DIAGRAMS	20
TROUBLESHOOTING REFERENCE CHART.....	21
WARRANTIES	22-23
AUTHORIZED PARTS DEPOTS.....	(back cover)

Serial Number Location

The serial number on all self-contained F18 Series refrigerated work tables and freezer bases is located on the electrical specifications tag affixed inside the compressor section next to the pressure control.

On remote refrigerated bases with doors, the tag is inside the unit on the coil side. On remote refrigerated bases with drawers, the tag is affixed to the drawer divider. On remote freezer bases, the tag is located on the inside back of the unit.

Always have the serial number of your unit available when calling for parts or service. A complete list of authorized Delfield parts depots is shown on the back cover of this manual.

©2007 The Delfield Company. All rights reserved. Reproduction without written permission is prohibited. "Delfield" is a registered trademark of The Delfield Company.

Receiving and Inspecting the Equipment

Even though most equipment is shipped crated, care should be taken during unloading so the equipment is not damaged while being moved into the building.

1. Visually inspect the exterior of the package on skid or container. Any damage should be noted and reported to the delivering carrier immediately.
2. If damaged, open and inspect the contents with the carrier.
3. In the event that the exterior is not damaged, yet upon opening, there is concealed damage to the equipment notify the carrier. Notification should be made verbally as well as in written form.
4. Request an inspection of the concealed equipment. This should be done within 10 days from receipt of the equipment.
5. Check the lower portion of the unit to be sure legs or casters are not bent.

6. Also open the compressor compartment housing and visually inspect the refrigeration package. Be sure lines are secure and base is still intact.
7. Freight carriers can supply the necessary forms upon request.
8. Retain all crating material until an inspection has been made or waived.

Uncrating the Equipment

First cut and remove the banding from around the crate. Remove the front of the crate material, use of some tools will be required. If the unit is on legs remove the top of the crate as well and lift the unit off the skid. If the unit is on casters it can be "rolled" off the skid.

Specifications

MODEL NUMBER	# OF DOORS	STORAGE CU. FT.	SHELF AREA SQ. FT.	RECOMMENDED HORSE POWER	VOLTS/HERTZ/ PHASE	AMPS	BTU LOAD	EVAP. CAP. BTU/°TD
Remote Refrigerated Work Tables								
F18WR31	(1) 19"	6.99	2.56	1/5	115/60/1	3.0	383	120
F18WR39	(1) 27"	9.77	3.95	1/5	115/60/1	3.0	465	120
F18WR44	(2) 19"	11.52	5.12	1/5	115/60/1	3.0	605	120
F18WR52	(1) 19" & (1) 27"	14.31	6.51	1/5	115/60/1	3.0	686	120
F18WR60	(2) 27"	18.85	7.90	1/4	115/60/1	3.0	768	120
F18WR70	(2) 32"	20.59	9.64	1/4	115/60/1	3.0	869	120
F18WR79	(2) 27" & (1) 19"	23.05	10.29	1/4	115/60/1	6.0	1050	240
F18WR87	(3) 27"	25.83	11.85	1/4	115/60/1	6.0	1131	240

MODEL NUMBER	# OF DOORS	STORAGE CU. FT.	SHELF AREA SQ. FT.	HORSE POWER	VOLTS/HERTZ/ PHASE	AMPS	BTU LOAD	BTU SYSTEM
Self-Contained Refrigerated Work Tables								
F18WC39	(1) 19"	6.99	2.56	1/5	115/60/1	8.0	383	1462
F18WC47	(1) 27"	9.77	3.95	1/5	115/60/1	8.0	465	1462
F18WC52	(2) 19"	11.52	5.12	1/5	115/60/1	8.0	605	1462
F18WC60	(1) 19" & (1) 27"	14.31	6.51	1/5	115/60/1	8.0	686	1462
F18WC68	(2) 27"	18.85	7.90	1/4	115/60/1	10.0	768	1462
F18WC78	(2) 32"	20.59	9.64	1/4	115/60/1	10.0	869	1994
F18WC87	(2) 27" & (1) 19"	23.05	10.29	1/4	115/60/1	10.0	1050	2261
F18WC95	(3) 27"	25.83	11.85	1/4	115/60/1	10.0	1131	2261

A 5-15P NEMA plug is used on self-contained units

MODEL NUMBER	# OF DOORS	STORAGE CU. FT.	# OF PANS	RECOMMENDED HORSE POWER	VOLTS/HERTZ/ PHASE	AMPS	BTU DESIGN BASE/RAIL	EVAP. CAP. BTU/°TD BASE/RAIL
Remote Refrigerated Mega Top Salad Tables								
F18MR31A	(1) 19"	4.11	6	1/4	115/60/1	3.0	280/265	120/12
F18MR44A	(2) 19"	6.94	6	1/4	115/60/1	3.0	444/265	120/12
F18MR44D	(2) 19"	6.94	12	1/4	115/60/1	3.0	444/529	120/22
F18MR52A	(1) 19" & (1) 27"	8.69	6	1/3	115/60/1	3.0	515/265	120/12
F18MR52D	(1) 19" & (1) 27"	8.69	12	1/3	115/60/1	3.0	515/529	120/22
F18MR52E	(1) 19" & (1) 27"	8.69	18	1/3	115/60/1	3.0	515/794	120/31

MODEL NUMBER	# OF DOORS	STORAGE CU. FT.	# OF PANS	HORSE POWER	VOLTS/HERTZ/ PHASE	AMPS	BTU DESIGN BASE/RAIL	BTU SYSTEM CAP. BASE/RAIL
Self-Contained Refrigerated Mega Top Salad Tables								
F18MC39A	(1) 19"	4.11	6	1/4	115/60/1	10.0	280/265	1903/925
F18MC39D	(1) 19"	4.11	12	1/4	115/60/1	10.0	280/529	1903/1156
F18MC52A	(2) 19"	6.94	6	1/4	115/60/1	10.0	444/265	1903/925
F18MC52D	(2) 19"	6.94	12	1/4	115/60/1	10.0	444/529	1903/1156
F18MC52E	(2) 19"	6.94	18	1/4	115/60/1	10.0	444/794	1903/1321
F18MC60A	(1) 19" & (1) 27"	8.69	6	1/4	115/60/1	10.0	515/265	2314/864
F18MC60D	(1) 19" & (1) 27"	8.69	12	1/4	115/60/1	10.0	515/529	2314/1141
F18MC60E	(1) 19" & (1) 27"	8.69	18	1/4	115/60/1	10.0	515/794	2314/1361
F18MC60F	(1) 19" & (1) 27"	8.69	24	1/4	115/60/1	10.0	515/1058	2314/1540

A 5-15P NEMA plug is used on self-contained units



Specifications

MODEL NUMBER	# OF DOORS	SHELF AREA SQ. FT.	# OF PANS	RECOMMENDED HORSE POWER	VOLTS/HERTZ/ PHASE	AMPS	BTU DESIGN BASE/RAIL	EVAP. CAP. BTU/°TD
Remote Refrigerated Salad Top Tables								
F18SR31A	(1) 19"	2.56	6	1/4	115/60/1	3.0	280/265	120
F18SR44A	(2) 19"	5.12	6	1/4	115/60/1	3.0	491/441	120
F18SR44B	(2) 19"	5.12	8	1/4	115/60/1	3.0	491/441	120
F18SR44C	(2) 19"	5.12	10	1/4	115/60/1	3.0	491/441	120
F18SR52A	(1) 19" & (1) 27"	6.51	6	1/4	115/60/1	3.0	532/529	120
F18SR52B	(1) 19" & (1) 27"	6.51	8	1/4	115/60/1	3.0	532/529	120
F18SR52C	(1) 19" & (1) 27"	6.51	10	1/4	115/60/1	3.0	532/529	120
F18SR52D	(1) 19" & (1) 27"	6.51	12	1/4	115/60/1	3.0	532/529	120

MODEL NUMBER	# OF DOORS	SHELF AREA SQ. FT.	# OF PANS	HORSE POWER	VOLTS/HERTZ/ PHASE	AMPS	BTU DESIGN BASE/RAIL	BTU SYSTEM CAP. BASE/RAIL
Self-Contained Refrigerated Salad Top Tables								
F18SC39A	(1) 19"	2.56	6	1/4	115/60/1	10.0	280/265	1903/745
F18SC39B	(1) 19"	2.56	8	1/4	115/60/1	10.0	280/353	1903/867
F18SC52A	(2) 19"	5.12	6	1/4	115/60/1	10.0	444/265	1903/745
F18SC52B	(2) 19"	5.12	8	1/4	115/60/1	10.0	444/353	1903/867
F18SC52C	(2) 19"	5.12	10	1/4	115/60/1	10.0	444/441	1903/971
F18SC52D	(2) 19"	5.12	12	1/4	115/60/1	10.0	444/529	1903/1061
F18SC60A	(2) 19" & (1) 27"	6.51	6	1/4	115/60/1	10.0	515/265	2314/667
F18SC60B	(2) 19" & (1) 27"	6.51	8	1/4	115/60/1	10.0	515/353	2314/798
F18SC60C	(2) 19" & (1) 27"	6.51	10	1/4	115/60/1	10.0	515/441	2314/916
F18SC60D	(2) 19" & (1) 27"	6.51	12	1/4	115/60/1	10.0	515/529	2314/1023

A 5-15P NEMA plug is used on self-contained units

MODEL NUMBER	# OF DOORS	STORAGE CU. FT.	SHELF AREA SQ. FT.	# OF PANS	RECOMMENDED HORSE POWER	VOLTS/HERTZ/ PHASE	AMPS	BTU DESIGN LOAD BASE/RAIL	EVAP. CAP. BTU/°TD
Remote Refrigerated Reduced Height Rail									
F18DR44	(2) 19"	9.49	5.12	10	1/4	115/60/1	3.0	547/441	120/19
F18DR52	(1) 19" & (1) 27"	11.81	6.51	12	1/3	115/60/1	3.0	625/529	120/23
F18DR60	(2) 27"	14.14	7.9	16	1/3	115/60/1	5.0	703/617	120/26
F18DR70	(2) 32"	17.05	9.64	18	1/2	115/60/1	5.0	800/794	120/32
F18DR79	(1) 19" & (2) 27"	18.68	10.29	18	1/2	115/60/1	5.0	962/882	240/36
F18DR87	(3) 27"	21.30	11.85	22	3/4	115/60/1	5.0	1032/970	240/39

MODEL NUMBER	# OF DOORS	STORAGE CU. FT.	SHELF AREA SQ. FT.	# OF PANS	HORSE POWER	VOLTS/HERTZ/ PHASE	AMPS	BTU LOAD BASE/RAIL	BTU SYSTEM CAP. BASE/RAIL
Self-Contained Refrigerated Reduced Height Rail									
F18DC52	(2) 19"	9.49	5.12	12	1/4	115/60/1	10.0	547/529	1903/1061
F18DC60	(1) 19" & (1) 27"	11.81	6.51	14	1/3	115/60/1	12.0	625/617	2314/1121
F18DC68	(2) 27"	14.14	7.9	18	1/3	115/60/1	12.0	703/794	2314/1544
F18DC82	(2) 32"	17.05	9.64	20	1/2	115/60/1	14.0	800/882	3097/1648
F18DC91	(1) 19" & (2) 27"	18.68	10.29	22	1/2	115/60/1	14.0	962/1058	3807/1839
F18DC99	(3) 27"	21.30	11.85	24	3/4	115/60/1	16.0	1032/1147	5286/2191

A 5-15P NEMA plug is used on F18RC52, F18RC60 & F18RC68 . A 5-20P NEMA plug is used on , F18RC82, F18RC91, & F18RC99.

Specifications

MODEL NUMBER	# OF DOORS	STORAGE CU. FT.	SHELF AREA SQ. FT.	# OF PANS	RECOMMENDED HORSE POWER	VOLTS/HERTZ/ PHASE	AMPS	BTU DESIGN LOAD BASE/RAIL	EVAP. CAP. BTU/°TD
Remote Refrigerated Reduced Height Rail									
F18RR44	(2) 19"	9.49	5.12	10	1/4	115/60/1	3.0	547/441	120/19
F18RR52	(1) 19" & (1) 27"	11.81	6.51	12	1/3	115/60/1	3.0	625/529	120/23
F18RR60	(2) 27"	14.14	7.9	16	1/3	115/60/1	5.0	703/617	120/26
F18RR70	(2) 32"	17.05	9.64	18	1/2	115/60/1	5.0	800/794	120/32
F18RR79	(1) 19" & (2) 27"	18.68	10.29	18	1/2	115/60/1	5.0	962/882	240/36
F18RR87	(3) 27"	21.30	11.85	22	3/4	115/60/1	5.0	1032/970	240/39

MODEL NUMBER	# OF DOORS	STORAGE CU. FT.	SHELF AREA SQ. FT.	# OF PANS	HORSE POWER	VOLTS/HERTZ/ PHASE	AMPS	BTU LOAD BASE/RAIL	BTU SYSTEM CAP. BASE/RAIL
Self-Contained Refrigerated Reduced Height Rail									
F18RC52	(2) 19"	9.49	5.12	12	1/4	115/60/1	10.0	547/529	1903/1061
F18RC60	(1) 19" & (1) 27"	11.81	6.51	14	1/3	115/60/1	12.0	625/617	2314/1121
F18RC68	(2) 27"	14.14	7.9	18	1/3	115/60/1	12.0	703/794	2314/1544
F18RC82	(2) 32"	17.05	9.64	20	1/2	115/60/1	14.0	800/882	3097/1648
F18RC91	(1) 19" & (2) 27"	18.68	10.29	22	1/2	115/60/1	14.0	962/1058	3807/1839
F18RC99	(3) 27"	21.30	11.85	24	3/4	115/60/1	16.0	1032/1147	5286/2191

A 5-15P NEMA plug is used on F18RC52, F18RC60 & F18RC68 . A 5-20P NEMA plug is used on , F18RC82, F18RC91, & F18RC99.

MODEL NUMBER	# OF DOORS	STORAGE CU. FT.	SHELF AREA SQ. FT.	RECOMMENDED HORSE POWER	VOLTS/HERTZ/ PHASE	AMPS	BTU LOAD	EVAP. CAP. BTU/°TD
Remote Freezer Base								
F18FR35	(1) 19"	5.58	2.56	1/3	115/60/1	10.0	943	160
F18FR50	(2) 19"	12.21	5.12	1/2	115/60/1	10.0	1471	160
F18FR58	(1) 19" & (1) 27"	15	6.51	3/4	115/60/1	10.0	1844	160
F18FR66	(2) 27"	17.79	7.9	3/4	115/60/1	10.0	2020	160
F18FR76	(2) 32"	21.28	9.64	3/4	115/60/1	10.0	2437	160

MODEL NUMBER	# OF DOORS	STORAGE CU. FT.	SHELF AREA SQ. FT.	HORSE POWER	VOLTS/HERTZ/ PHASE	AMPS	BTU LOAD	EVAP. CAP. BTU/°TD
Self-Contained Freezer Base								
F18FC43	(1) 19"	5.58	2.56	1/3	115/60/1	10.0	943	1558
F18FC62	(2) 19"	12.21	5.12	1/2	115/60/1	12.0	1471	1776
F18FC70	(1) 19" & (1) 27"	15	6.51	3/4	115/60/1	16.0	1647	2713
F18FC78	(2) 27"	17.79	7.9	3/4	115/60/1	16.0	1824	2713
F18FC88	(2) 32"	21.28	9.64	3/4	115/60/1	16.0	2045	2713

A 5-15P NEMA plug is used on F18FC43 & F18FC62. A 5-20P NEMA plug is used on F18FC70, F18FC78 & F18FC88.



Installation

Location

Be sure the location chosen has a floor strong enough to support the total weight of the cabinet and contents. A fully loaded 72" long model may weigh as much as 1500 pounds! Reinforce the floor as necessary to provide for maximum loading.

It is very important to allow for proper air flow, both inside and outside.

Avoid hot corners and locations near stoves, ovens and other pieces of cooking equipment.



NOTE:

It is recommended that the unit be installed no closer than 1" from any wall. Do not install the unit near any combustible material or object affected by heat or moisture.

Leveling

A level cabinet looks better and will perform better because the drain pan will drain properly, the doors will line up with the frames properly, and the cabinet will not be subject to undue strain.

A unit on legs will have an adjustable bullet foot on each leg, adjust each for a level unit. A unit on casters will not be adjustable. Be sure the unit is on a level floor, make necessary changes to the floor for proper level.

Lock all front casters to ensure the stability of the unit.

Plumbing

Self-contained models are standard with a condensate evaporator. If, for some reason a unit does not have a condensate evaporator, or if the evaporator fails, the unit's drain must have an outlet to an appropriate drainage area or

container. A refrigerated rail will have a 1" drain which will need to be run to an appropriate floor drain or container. The drain will be stubbed to the bottom of the machine compartment. Either run drain to a floor drain or add a valve to the base of the machine compartment and drain the rail to a container when convenient. The LiquiTec option will NOT have a drain available.



CAUTION

Moisture collecting from improper drainage can create a slippery surface on the floor and a hazard to employees. It is the owner's and operator's responsibility to provide a container or outlet for drainage.

Electrical connection

Refer to the amperage data on pages 3-5, the serial tag, your local code or the National Electrical Code to be sure the unit is connected to the proper power source. A protected circuit of the correct voltage and amperage must be run for connection of the line cord, or permanent connection of the unit.

Self-contained units with a cord and plug have an **ON/OFF** switch located directly behind the louvered panel covering the compressor section. Simply turn the switch to **ON** to begin operation.



DANGER

The power switch must be turned to OFF and the unit disconnected from the power source whenever performing service or maintenance functions.

Never operate the unit without the louvered panel in place!

If electrical receptacles are to be mounted in the unit's backsplash, they must be wired independently from the existing unit wiring.

Operation

After turning the **ON/OFF** switch to **ON** the unit's compressor will begin operating. Delfield refrigerated bases are designed to maintain an operational temperature of 36°F to 40°F. Temperature in the salad top and refrigerated rail opening is 33°F to 41°F with pans recessed 3" on a standard wrapped refrigerated rail or flush with the LiquiTec option at 86°F ambient room temperature. Freezer bases are designed to maintain an operational temperature of 0°F.



NOTE:

Do not place hot pans on/against the blue ABS liner. Do not throw items into the storage area. Failure to heed these recommendations could result in damage to the interior of the cabinet or to the blower coil.

Overloading the storage area, restricting the air flow, and continuous opening and closing of the doors and drawers will hamper the units ability to maintain operational temperature.

Refrigerated rail units

Product in the rail should be removed to the refrigerated base at the end of the day. This allows you to turn the rail off at night to save energy and the rail will have time to defrost as needed. It also helps maintain product quality. The standard wrapped refrigerated units are controlled by the pressure control which is set to maintain the proper rail temperature an on/off switch is also provided for the rail and is required to be shut off at night. The rail switch shuts off the rail only. With a LiquiTec rail a thermostat is provided to maintain rail temperature as well as the rail on/off switch. The LiquiTec rail is required to be shut off at night as well to allow for defrosting. To ensure product quality in the rail it is recommended that product be rotated every four hours.



NOTE:



DANGER

If adding any item to the unit, be sure to keep in mind the location of the refrigeration lines on wrapped rail units. A refrigeration leak in a rail is extremely difficult and costly to repair. In some cases it cannot be repaired at all.

Care and Cleaning

Cleaning the cabinet

The interior and exterior can be cleaned using soap and warm water. If this is not sufficient, try ammonia and water or non-abrasive liquid cleaner. When cleaning the exterior, always rub with the “grain” of the stainless steel to avoid marring the finish. Do not use an abrasive cleaner because it will scratch the stainless steel and plastic.

The interior of the cabinet should be cleaned daily with a non-abrasive cleaner and a nonabrasive pad. If necessary, a mild abrasive may be used on the interior of the pans only. Never use steel wool. No drains are provided with rails, after defrosting water will accumulate in the rail. This will need to be cleaned out thoroughly before restarting the rail as it will freeze and severely reduce the efficiency of the rail.

Cleaning the condenser

In order to maintain proper refrigeration performance, the condenser fins must be cleaned of dust, dirt and grease regularly. It is recommended that this be done at least every three months. If conditions are such that the condenser is totally blocked in three months, the frequency of cleaning should be increased. Clean the condenser with a vacuum cleaner or stiff brush. If extremely dirty, a commercially available condenser cleaner may be required.



NOTE:

Cleaning door gaskets

Door gaskets should be cleaned as required to maintain their ability to seal properly. Do not use sharp tools or knives to scrape the bellows as this may tear the gasket and eliminate its ability to seal. A soft bristle brush and solution of soap and water should be all that is required to keep the gaskets clean. Do not use full strength degreasing agents on the gasket because they could cause the gasket to become brittle and crack.



NOTE:

Consistent cleaning of the coil will enhance the operation of the unit by reducing energy consumption as well as extend the life of the compressor.

Preventing blower coil corrosion

To help prevent corrosion of the blower coil, store all acidic items, such as pickles and tomatoes, in sealable containers. Immediately wipe up all spills of items.

Pressure Control Settings

Factory recommended low-pressure control settings are:

HFC-404A refrigerators: 85# cut-in and 65# cut-out to maintain approximate interior temperature of 38°F.
Differential setting of 20#.

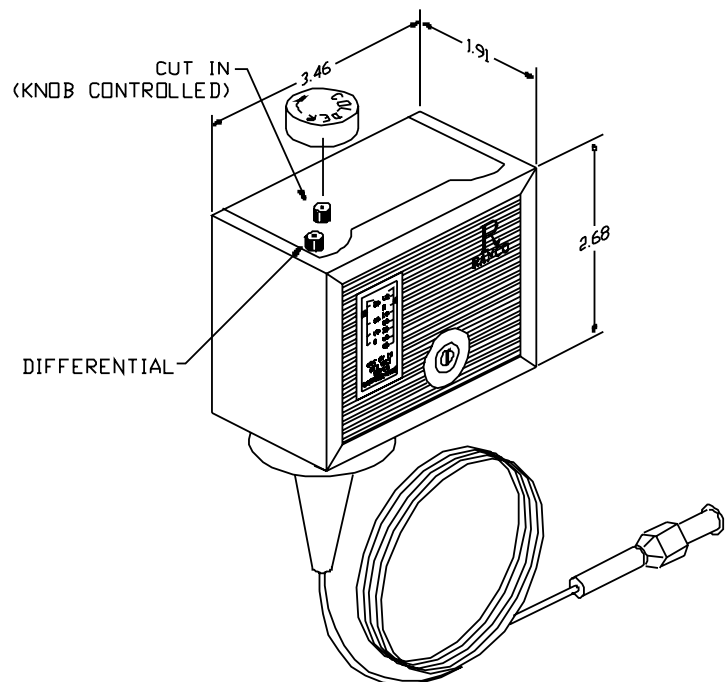
HFC-404A freezers: 32# cut-in and 8# cut-out to maintain approximate interior temperature of 0°F to 5°F.
Differential setting of 24#.

HFC-404A refrigerators with LiquiTec Rail:
20# cut-in and 10# cut-out to
Differential setting of 10#
Temperature control for
LiquiTec Rail, 25°F cut in and
18°F cut-out.

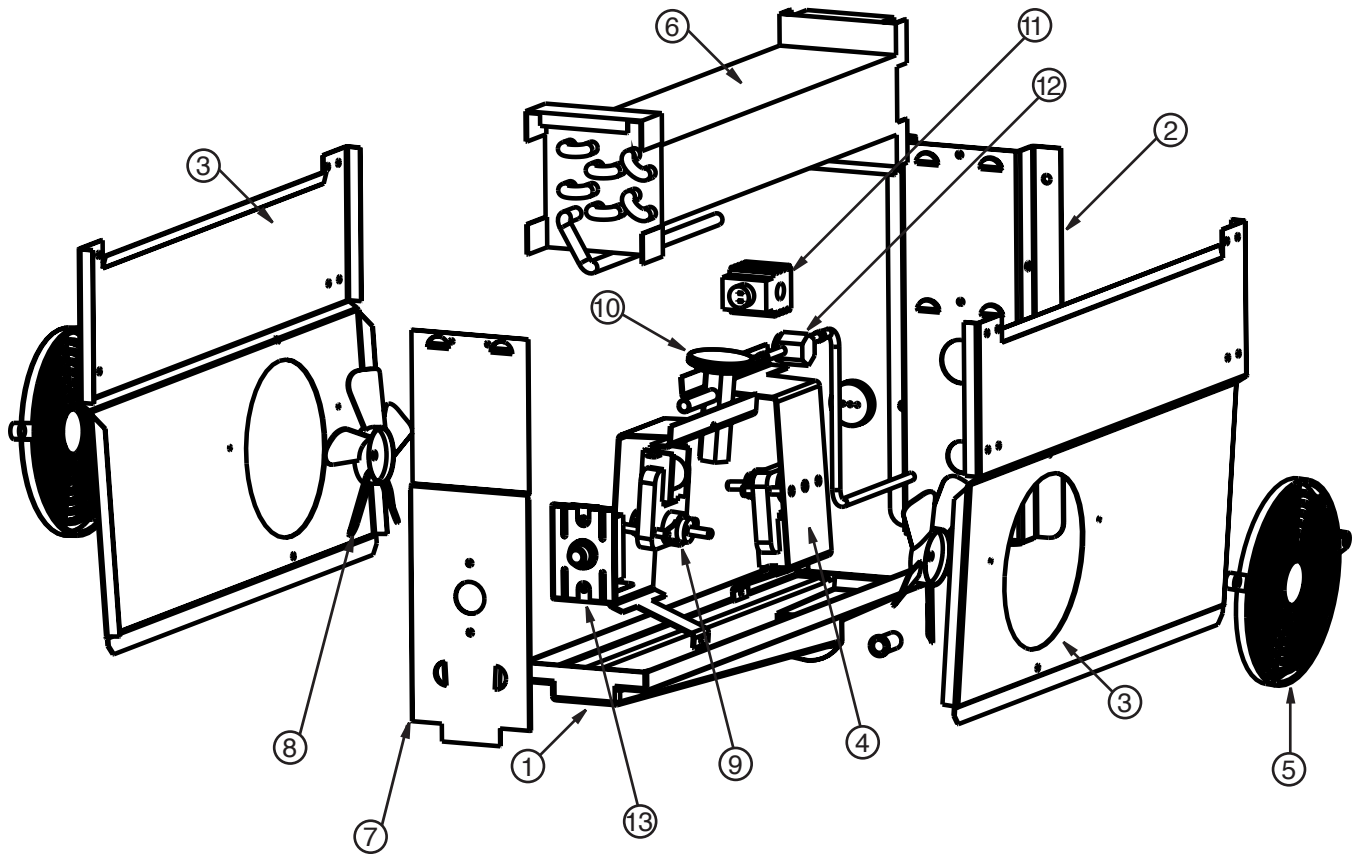


NOTE:

Pressure control settings are measured in pounds, not fahrenheit.



Coil Assembly - refrigerators



KEY	DELFIELD PART#	DESCRIPTION
1	PMK00036	pan, drip, evap. coil, refg.
2	AMK00012	coil back
3	AMK00011	coil side
4	SMK00285	bracket, mounting, fan, evap, coil
5	3516173	guard, fan, 6.38" dia., lexan
6	3516095	coil, evap.
7	AMK00013	coil front
8	3516172	blade, fan 5.56, CCW, lexan, clear
9	2162691	motor, fan, 115V
10	3516273	valve, expansion, 1/4, hi, R-404A
11	3516103	solenoid coil
12	3516102	solenoid valve
13	2194536	thermostat

XMK00107 EVAPORATOR COIL ASSEMBLY

Coil assembly is standard with above parts, less solenoid coil, solenoid valve and thermostat.

Unit: F18WC

XMK00108 EVAPORATOR COIL ASSEMBLY

Coil assembly is standard with above parts less the thermostat.

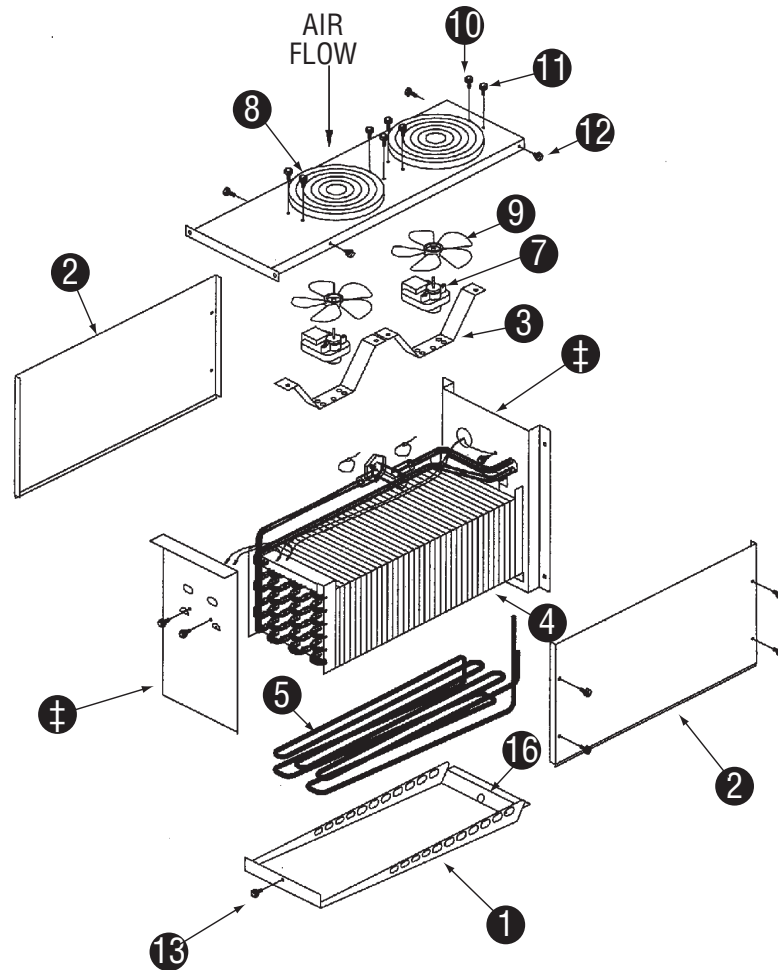
Unit: F18DC91 & 99; F18DR79 & 97; F18RC91 & 99; F18WR79 & 87

XMK00109 EVAPORATOR COIL ASSEMBLY

Coil assembly is standard with above parts less the thermostat.

Unit: all other refrigeration units, except those listed for XMK00107. This assembly is also used in conjunction with units listed for XMK00108.

Mullion Coil Assembly: Freezers



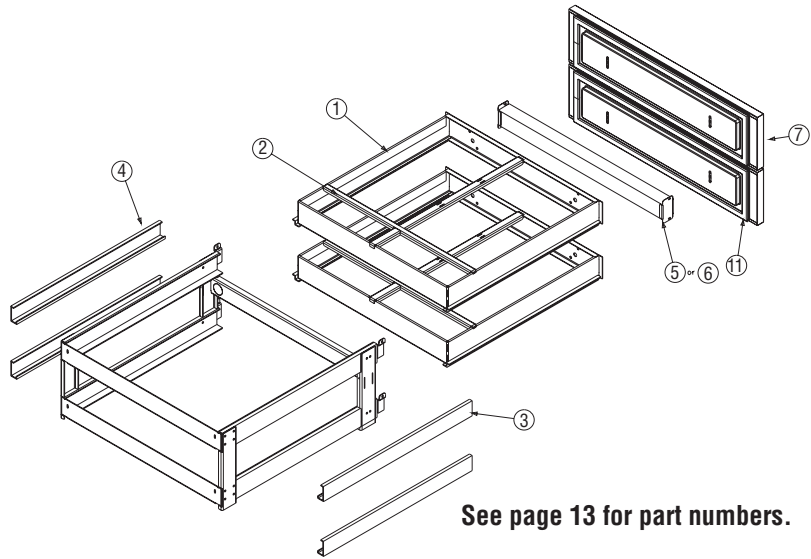
KEY	DELFIELD PART#	DESCRIPTION
1	SMK00162	pan, drip, freezer mullion coil
‡	AMK00004	back, evap housing
2	AMK00002	side, evap. hsng., LH
3	AMK00005	bracket, fan motor, blower coil
4	3516073	coil, evap., freezer
5	2194034	heater, defrost
‡	AMK00000	front, evap housing
6	2183310	harness, coil, freezer, male
7	2162691	motor, fan, 115V, 50/60
8	3516173	guard, fan, 6.38" dia, lexan
9	3516172	blade, fan, 5.56, CCW, lexan
10	9321353	screw, #10x0.50
11	9321353	screw, machine, #10
12	9321238	screw, #8x.75
13	9321131	screw #10 x .50
14	3516271	valve, expansion, 1/4, low, R-4040A
15	2194046	control, limit, fan delay/defrst (not shown)
16		Need to order drip pan to get 1" s/s drain (not shown)

Used on: F18FC and F18FR

NOTE: Non-numbered items with "‡" not sold separately — available only with complete assembly — XMK00061.

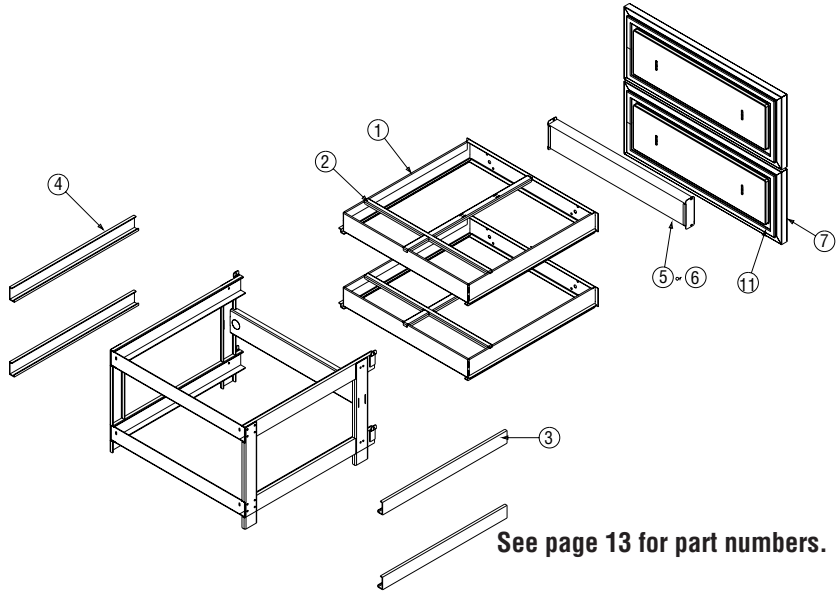


Low Profile Refrigerated Drawer Assembly (32" Shown)



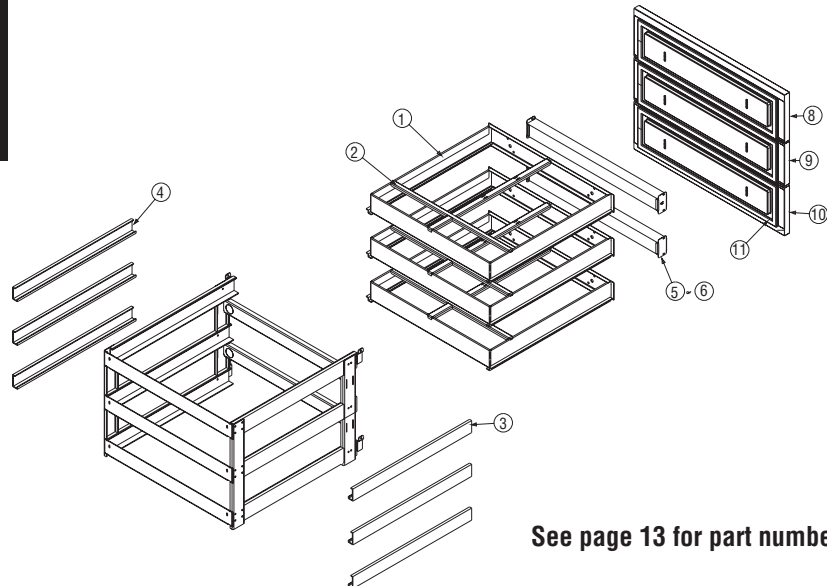
See page 13 for part numbers.

2 High-Mark 7 Refrigerated Drawer Assembly (32" Shown)



See page 13 for part numbers.

3 High-Mark 7 Refrigerated Drawer Assembly (32" Shown)



See page 13 for part numbers.

Cartridge Style Drawer Systems

See page 12 for blow-out model diagram.

	Refrigerator *Cartridge assy	Freezer *Cartridge assy	Cartridge only (no fronts, no mullions)	1 Drawer box	2 Divider Bar(s)	3 Intermediate Left Track	4 Intermediate Right Track
32" lo profile	000-aew-0030	000-aew-003a	RF700100	000-333-0034	264-018-0032, 264-018-0034	3234504	3234492
27" lo profile	000-aew-0031	000-aew-003b	RF700101	000-333-0035	264-018-0033	3234517	3234509
24" lo profile	000-aew-0032	000-aew-003c	RF700102	000-333-0036	264-018-0036, 264-018-0037	3234504	3234492
19" lo profile	000-aew-0033	000-aew-003d	RF700103	000-333-0037	**264-018-0038	3234504	3234492
32" 3 high mk7	000-aew-0034	000-aew-003e	RF700104	000-333-0034	264-018-0032, 264-018-0034	3234504	3234492
27" 3 high mk7	000-aew-0035	000-aew-003f	RF700105	000-333-0035	264-018-0033	3234517	3234509
24" 3 high mk7	000-aew-0036	000-aew-003g	RF700106	000-333-0036	264-018-0036, 264-018-0037	3234504	3234492
19" 3 high mk7	000-aew-0037	000-aew-003h	RF700107	000-333-0037	**264-018-0038	3234504	3234492
32" 2 high mk7	000-aew-0038	000-aew-003i	RF700108	000-333-0034	264-018-0032, 264-018-0034	3234504	3234492
27" 2 high mk7	000-aew-0039	000-aew-003j	RF700109	000-333-0035	264-018-0033	3234517	3234509
24" 2 high mk7	000-aew-0040	000-aew-003k	RF700110	000-333-0036	264-018-0036, 264-018-0037	3234504	3234492
19" 2 high mk7	000-aew-0041	000-aew-003l	RF700111	000-333-0037	**264-018-0038	3234504	3234492

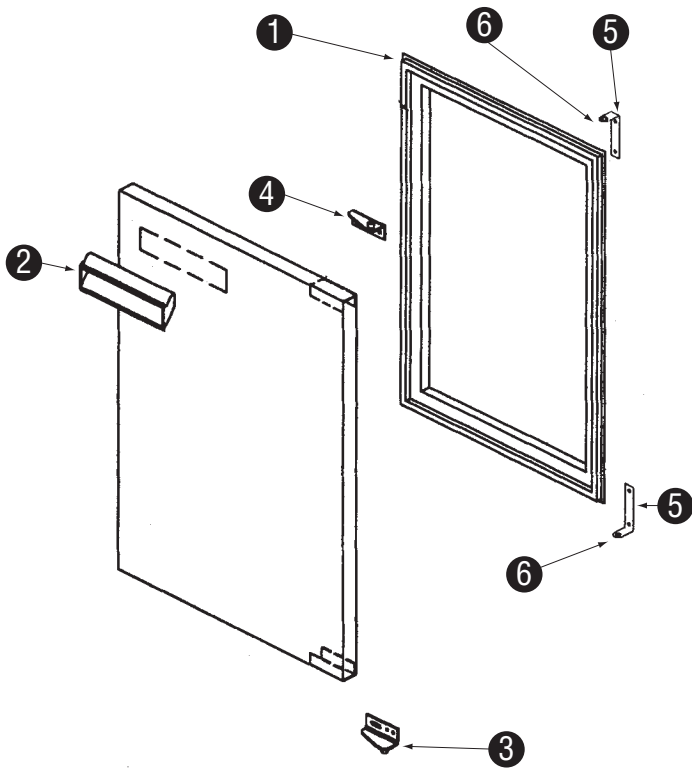
	5 Refrigerator Mullion	6 Freezer Mullion	7 Drawer front assy	8 Drawer front assy, top	9 Drawer front assy, middle	10 Drawer front assy, bottom	11 Gasket
32" low profile	000-315-0033	000-315-003b	000-328-0033	na	na	na	1701197
27" low profile	000-315-0032	000-315-003a	000-328-0032	na	na	na	1701196
24" low profile	000-315-0031	000-315-0039	000-328-0031	na	na	na	1701195
19" low profile	000-315-0030	000-315-0038	000-328-0030	na	na	na	1701194
32" 3 high mk7	000-315-0033	000-315-003b	na	000-328-0037	000-328-0033	000-328-003b	1701197
27" 3 high mk7	000-315-0032	000-315-003a	na	000-328-0036	000-328-0032	000-328-003a	1701196
24" 3 high mk7	000-315-0031	000-315-0039	na	000-328-0035	000-328-0031	000-328-0039	1701195
19" 3 high mk7	000-315-0030	000-315-0038	na	000-328-0034	000-328-0030	000-328-0038	1701194
32" 2 high mk7	000-315-0037	000-315-003f	000-327-0033	na	na	na	1701193
27" 2 high mk7	000-315-0036	000-315-003e	000-327-0032	na	na	na	1701192
24" 2 high mk7	000-315-0035	000-315-003d	000-327-0031	na	na	na	1701191
19" 2 high mk7	000-315-0034	000-315-003c	000-327-0030	na	na	na	1701190

*Complete cartridge assembly includes: cartridge, drawer boxes, drawer fronts, and mullion.

**264-018-0038: Divider bar can also be used in all drawer boxes for 1/6 size pan applications.



Door Assembly: Low Profile

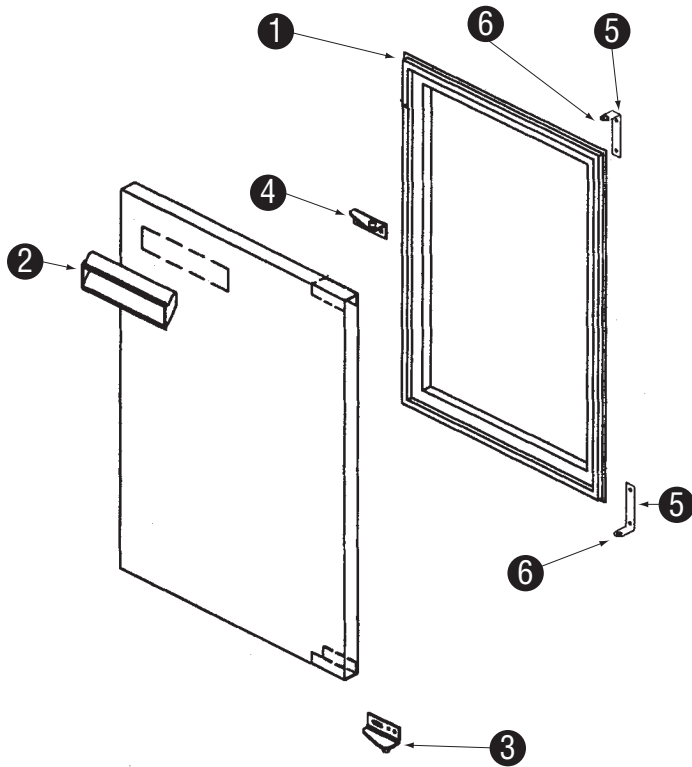


Low Profile		
KEY	DELFIELD PART#	DESCRIPTION
	XMK00005	complete door assy. 19", 18.75" x 15.72"
	XMK00006	complete door assy. 24", 23.75" x 15.72"
	XMK00007	complete door assy. 27", 26.75" x 15.72"
1	1701187	gasket, door, 19"
	1701188	gasket, door 24"
	1701189	gasket, door, 27"
2		handle, snap-in, 7" (not replaceable)
3	3234214	hinge, door, top/LH, bottom/RH
4	3234218	hinge, door, top/RH, bottom/LH
5	3234391	hinge, door, L-shaped
6	9321107	bushing, nylon, hinge pin

Used on: F18SC, F18SR, F18MC & F18MR

NOTE: Indicate if door is left or right hinged when ordering.

Door Assembly: Mark 7



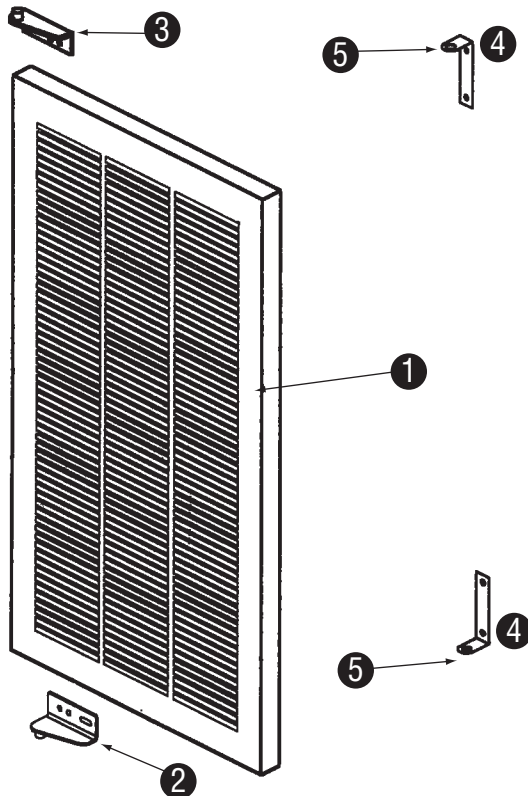
Mark 7

KEY	DELFIELD PART#	DESCRIPTION
	XMK00001	complete door assy. 19", 18.75" x 25.72"
	XMK00002	complete door assy. 24", 23.75" x 25.72"
	XMK00003	complete door assy. 27", 26.75" x 25.72"
	XMK00004	complete door assy. 32", 31.75" x 25.72"
1	1701183	gasket, door, 19"
	1701184	gasket, door 24"
	1701185	gasket, door, 27"
	1701186	gasket, door, 32"
2	3234255	handle, snap-in, 7"
3	3234072	hinge, door, top/LH, bottom/RH
4	3234073	hinge, door, top/RH, bottom/LH
5	3234391	hinge, door, L-shaped
6	9321107	bushing, nylon, hinge pin

Used on: F18WR, F18WC, F18FC, F18FR, F18DR, F18RC & F18RR

NOTE: Indicate if door is left or right hinged when ordering.

Louvered Door Assembly



KEY	DELFIELD PART#	DESCRIPTION
	XMK00118	complete louvered door assembly, 14"
	XMK00120	complete louvered door assembly, 18"
1	SMK00507	front, door, 14"
	SMK00446	front, door, 18"
2	3234073	hinge, door, top/RH, bottom/LH
3	3234072	hinge, door, top/LH, bottom/RH
4	3234391	hinge, door, L-shaped
5	9321107	bushing, nylon, hinge pin
6	SMK00771	bracket, magnetic catch (not shown)
7	3234156	catch, magnetic, snap-in (not shown)
8	3234191	strike, steel (not shown)

Used on: F18SC, F18SR, F18MC, F18MR, F18DC, F18DR, F18RC & F18RR

KEY	DELFIELD PART#	DESCRIPTION
NOT SHOWN - Clip on style louver		
	SMK00039	13.94" x 26.34"
	SMK00041	17.94" x 26.34"

Used on: F18FC, F18WR,



PARTS LISTING

For component parts:

Condensing units - see page 8
Evaporator assy. - see pages 10-11
Door and drawer assy. - see 12 thru 15.

F18DC SERIES

STANDARD PARTS

1701000 Cutting Board Pin Cap
 2183348 Cord/plug assembly
 2190154 On/Off Switch
 2193927 Low pressure control
 3234266 Pan cover hinge - right
 3234282 Pan cover hinge ⌀ left
 3234290 Support shelf plastic
 3234392 Double hinge pan cover
 3234645 Leg
 3516135 Thermometer
 3516101 Filter dryer
 3516225 Expansion valve - Rail
 9321041 Acorn Nut for pan cover hinge
 9321132 Dog point stud
 9321136 Cutting Board Pin
 9321374 Salad pan cover pin hinge

ADDITIONAL PARTS

F18DC52

000-402-0045 Removable hinged 12 pan cover
 XMK00001 19" Door Assembly
 XMK00109 Evaporator Coil Assembly
 XMK00118 Complete Louver Assembly
 3977984 Wire shelf

F18DC60

000-402-003T Removable hinged 6 pan cover
 000-402-003X Removable hinged 8 pan cover
 SMK00776 Center divider bar
 XMK00001 19" Door Assembly
 XMK00003 27" Door Assembly
 XMK00109 Evaporator Coil Assembly
 XMK00118 Complete Louver Assembly
 3977984 Wire shelf 19"
 3978014 Wire shelf 27"

F18DC68

000-402-003X Removable hinged 8 pan cover
 XMK00003 27" Door Assembly
 XMK00109 Evaporator Coil Assembly
 XMK00118 Complete Louver Assembly
 3234392 Double hinge pan cover
 3978014 Wire shelf 27"

F18DC72

000-402-003X Removable hinged 8 pan cover
 000-402-0041 Removable hinged 10 pan cover
 XMK00003 27" Door Assembly
 XMK00109 Evaporator Coil Assembly
 XMK00120 Complete Louver Assembly
 3978014 Wire shelf 27"

F18DC82

SMK00776 Center divider bar
 000-402-0041 Removable hinged 10 pan cover
 XMK00004 32" Door Assembly
 XMK00109 Evaporator Coil Assembly
 XMK00120 Complete Louver Assembly
 3977983 Wire shelf 32"

F18DC91

000-402-0041 Removable hinged 10 pan cover
 000-402-0045 Removable hinged 12 pan cover
 XMK00001 19" Door Assembly
 XMK00003 27" Door Assembly
 XMK00108 Evaporator Coil assy. W/ Solenoid
 XMK00109 Evaporator Coil Assembly
 XMK00120 Complete Louver Assembly
 3977984 Wire shelf 19"
 3978014 Wire Shelf 27"

F18DC99

SMK00776 Center divider bar
 000-402-0045 Removable hinged 12 pan cover
 XMK00003 27" Door Assembly
 XMK00108 Evaporator Coil assy. W/ Solenoid
 XMK00109 Evaporator Coil Assembly
 XMK00120 Complete Louver Assembly
 3978014 Wire Shelf 27"

F18DR SERIES

STANDARD PARTS

1701000 Cutting board pin
 2190154 Rocker switch
 2194201 Rail Thermostat
 3234282 Left end pan cover hinge
 3234266 Right end pan cover hinge
 3234392 Double (center) hinge pan cover
 3234290 Plastic support shelf
 3234645 Leg
 3516101 Filter dryer
 3516102 Solenoid valve
 3516135 Thermometer
 3516225 Expansion valve (rail)
 9321041 Acorn Nut for Salad pan Cover pin
 9321132 Long dog-point stud
 9321136 Cutting board pin
 9321374 Salad pan cover pin hinge

ADDITIONAL PARTS

F18DR44

000-402-0041 Removable hinged 12 pan cover
 XMK00001 19" Door Assembly
 XMK00009 Evaporator Coil Assembly
 3977984 19" Wire Shelf

F18DR52

000-402-0045 Removable hinged 12 pan cover
 XMK00001 19" Door Assembly
 XMK00003 27" Door Assembly
 XMK00109 Evaporator Coil Assembly
 3977984 19" Wire shelf
 3978014 27" Wire Shelf

F18DR60

SMK000776 Center divider bar
 000-402-003T Removable hinged 6 pan cover
 000-402-003X Removable hinged 8 pan cover
 XMK00003 27" Door Assembly
 XMK00109 Evaporator Coil Assembly
 3978014 Wire shelf 27"

F18DR70

000-402-003X Removable hinged 8 pan cover
 XMK00004 32" Door Assembly
 XMK00109 Evaporator Coil Assembly
 3977983 Wire shelf 32"

F18DR79

SMK00776 Center divider bar
 000-402-0041 Removable hinged 10 pan cover
 XMK00001 19" Door Assembly
 XMK00003 27" Door Assembly
 XMK00108 Evaporator Coil Assembly w/solenoid
 XMK00109 Evaporator Coil Assembly
 3977984 19" wire shelf
 3978014 27" wire shelf

F18DR87

SMK00776 Center divider bar
 000-402-0041 Removable hinged 10 pan cover
 000-402-0045 Removable hinged 12 pan cover
 XMK00003 27" Door Assembly
 XMK00108 Evaporator Coil Assembly w/solenoid
 XMK00109 Evaporator Coil Assembly
 3977984 Wire shelf 19"
 3978014 Wire Shelf 27"

F18FC SERIES

STANDARD PARTS

XMK00061 Coil assembly freezer
 XMK00065 Evap. condensate pan and heater
 2193927 Low pressure control
 2194046 Fan delay/defrost control limit
 2194199 Heating cond. evap. element
 2194151 Defrost timer
 2194235 Heater safety switch
 3234290 Plastic support shelf
 3234645 Leg
 3516101 Filter dryer
 3516135 Thermometer
 9321040 Spot stud
 9321132 Long dog-point stud

ADDITIONAL PARTS

F18FC43 SERIES

SMK00039 Clip on Louver
 XMK00001 19" Door Assembly
 2183348 Cord plug assy.
 3977984 Shelf 19"

F18FC62 SERIES

SMK00039 Louver Assembly
 XMK00001 19" Door Assembly
 2183348 Cord plug assy.
 3977984 19" Wire shelf

F18FC70 SERIES

SMK00041 Louver Door Assembly
 XMK00001 19" Door Assembly
 XMK00003 27" Door Assembly
 2183347 Cord/Plug Assembly
 3977984 19" Wire shelf
 3978014 27" Wire shelf

F18FC78 SERIES

SMK00041 Louver Assembly
 XMK00003 27" Door Assembly
 2183347 Cord/Plug Assembly
 3978014 Wire shelf

F18FC88 SERIES

SMK00041 Louver Assembly
 XMK00004 32" Door Assembly
 2183347 Cord/Plug Assembly
 3977983 Wire shelf

F18FR SERIES

STANDARD PARTS

XMK00061 Coil assembly freezer
 2194046 Fan delay/defrost control limit
 2194151 Defrost timer
 2194235 Heater safety switch
 3234290 Plastic support shelf
 3234645 Leg
 3516135 Thermometer
 9321040 Spot stud
 9321132 Long dog-point stud

ADDITIONAL PARTS

F18FR35 and F18FR50 SERIES

XMK00001 Door Assembly
 3977984 19" Wire shelf

F18FR58 Series

XMK00001 19" Door Assembly
 XMK00003 27" Door Assembly
 3977984 19" Wire shelf
 3978014 27" Wire shelf

F18FR66 SERIES

XMK00004 32" Door Assembly
 3977983 32" Wire shelf

F18FR76 SERIES

XMK00004 32" Door Assembly
 3977983 32" Wire Shelf

F18MC SERIES

STANDARD PARTS

XMK00005 19" Lo Profile Door Assembly
 XMK00109 Evaporator Coil Assembly
 XMK00118 Louver Assembly
 2183348 Cord/plug assy.
 2190154 On/Off Switch
 2193927 Low pressure control
 3234266 Right end pan cover hinge
 3234282 Left end pan cover hinge
 3234392 Double (center) hinge pan cover
 3234645 Leg
 3516101 Filter dryer
 3516135 Thermometer
 9321041 Chrome plated acorn nut
 9321136 Holding for cutting board pin
 9321374 Salad pan cover pin hinge

ADDITIONAL PARTS

F18MC39A Series

000-402-003G 6 Pan Cover
 XMK00005 19" Lo Profile Door Assembly

F18MC39D Series

000-402-003I 12 Pan Cover
 XMK00005 19" Lo Profile Door Assembly

F18MC52A Series

000-402-003G 6 Pan Cover
 XMK00005 19" Lo Profile Door Assembly

F18MC52D Series

000-402-003I 12 Pan Cover
 XMK00005 19" Lo Profile Door Assembly

F18MC52E Series

00-402-003K 18 Pan Cover
 XMK00005 19" Lo Profile Door Assembly

F18MC60A Series

000-402-003G 6 Pan Cover
 XMK00005 19" Lo Profile Door Assembly
 XMK00007 32" Door Assembly

F18MC60D Series

XMK00005 19" Lo Profile Door Assembly
 XMK00007 32" Door Assembly
 000-402-003I 12 Pan Cover

F18MC60E Series

000-402-003K 18 Pan Cover
 XMK00005 19" Lo Profile Door Assembly
 XMK00007 32" Lo Profile Door Assembly

F18MR SERIES

STANDARD PARTS

XMK00109 Evaporator Coil Assembly
 1701000 Cutting board pin cap
 2190154 On/Off switch
 2194201 Thermostat rail
 3234266 Right end pan cover hinge
 3234282 Left end pan cover hinge
 3234392 Double (Center) cover hinge
 3234645 Leg
 3516135 Thermometer
 3516225 Expansion valve
 9321136 Holding for cutting board pin
 9321374 Salad pan cover pin hinge
 9321041 Chrome plated acorn nut

ADDITIONAL PARTS

F18MR31A & F18MR44A

000-402-003G 6 Pan Cover
 XMK00005 19" Lo Profile Door Assembly

F18MR44D

000-402-003I 12-pan hinged removable cover
 XMK00005 19" Lo Profile Door Assembly

F18MR52A & F18MR52D

000-402-003G Hinged Removable 6 pan Cover
 XMK00005 19" Lo Profile Door Assembly
 XMK00007 27" Lo Profile Door Assembly

F18MR52E

000-402-003K 18-pan hinged removable cover
 XMK00005 19" Lo Profile Door Assembly
 XMK00007 27" Lo Profile Door Assembly

F18RC SERIES

STANDARD PARTS

1701000 Cutting board pin
 2190154 On/Off switch
 2193927 Pressure control
 3234266 Right pan cover end hinge
 3234282 Left pan cover end hinge
 3234290 Plastic plug shelf support
 3234392 Double (Center) cover hinge
 3234645 Leg
 3516101 Filter dryer
 3516135 Hanging 4" thermometer
 3516225 Expansion valve
 9321040 Stud spot
 9321041 Chrome plated acorn nut
 9321132 Long stud dog-point
 9321136 Holding for cutting board pin
 9321374 Salad pan cover pin hinge

ADDITIONAL PARTS

F18RC52

000-402-0045 Hinged Removable Cover
 XMK00001 19" Door Assembly
 XMK00109 Evaporator Coil Assembly
 XMK00118 Louver Assembly
 2183348 Cord/plug assembly
 3977984 Wire shelf 19"

F18RC60

000-402-003X 8-pan hinged removable cover
 000-402-003T 6-pan hinged removable cover
 SMK00776 Center divider bar
 XMK00001 19" Door Assembly
 XMK00003 27" Door Assembly
 XMK00109 Evaporator Assembly
 XMK00118 Louver Assembly
 2183348 Cord/plug assembly
 3977984 19" Wire Shelf
 3978014 27" Wire Shelf

F18RC68

000-402-003X 8-pan hinged removable cover
 000-402-003T 6-pan hinged removable cover
 SMK00776 Center divider bar
 XMK00003 27" Door Assembly
 XMK00109 Evaporator Assembly
 XMK00118 Louver Assembly
 2183348 Cord/plug assembly
 3978014 27" Wire Shelf

F18RC72

000-402-0041 10-pan hinged removable cover
 000-402-003X 8-pan hinged removable cover
 XMK00003 27" Door Assembly
 XMK00109 Evaporator Assembly
 XMK00120 Louver Assembly
 2183347 Cord/Plug Assembly
 3978014 27" Wire Shelf

F18RC82

000-402-0041 10-pan hinged removable cover
 XMK00004 32" Door Assembly
 XMK00109 Evaporator Assembly
 XMK00120 Louver Assembly
 2183347 Cord/Plug Assembly
 3977983 32" Wire Shelf



F18RC91

000-402-0041 10-pan hinged removable cover
000-402-0045 12-pan hinged removable cover
XMK00003 27" Door Assembly
XMK00108 Evaporator Assembly
XMK00109 Evaporator Assembly
XMK00120 Louver Assembly
2183347 Cord/Plug Assembly
3978014 27" Wire Shelf

F18RR SERIES

STANDARD PARTS

XMK00109 Evaporator Coil Assembly
1701000 Cutting board pin
2190154 Rocker switch
3234266 Right end pan cover hinge
3234282 Left end pan cover hinge
3234290 Plastic plug shelf support
3234292 Double pan cover hinge
3234645 Leg
3516103 Solenoid coil spade term.
3516102 Solenoid valve
3516135 Hanging 4" thermometer
9321040 Stud spot
9321041 Acorn Nut for Pan cover hinge
9321132 Long stud dog-point
9321374 Salad pan cover hinge pin

ADDITIONAL PARTS

F18RR44 SERIES

000-402-0041 Removable 10-pan hinged cover
XMK00001 19" Door Assembly
XMK00109 Evaporator Coil Assembly
2194201 Rail Thermostat
3977984 Wire shelf 19"

F18RR52 SERIES

000-402-0045 Removable 12-pan hinged cover
XMK00001 Door assembly 19"
XMK00003 Door assembly 27"
2194201 Rail Thermostat
3977984 Wire shelf 19"
3978014 Wire shelf 27"

F18RR60 SERIES

000-402-003X Removable 8-pan hinged cover
SMK00776 Center divider bar
XMK00003 27" door assy.
3978014 27" Wire Shelf

F18SC SERIES

STANDARD PARTS

XMK00109 Coil assembly solenoid
XMK00118 Louver Assembly
1701000 Cutting board pin
2190154 on/off switch
2194201 Rail Thermostat
2194536 Thermostat
3234266 Right pan cover end hinge
3234282 Left end pan cover hinge
3234392 Double (Center) pan hinge
3234645 Leg
3516135 Hanging 4" thermometer
3516225 Expansion valve
9321041 Chrome plated acorn nut
9321136 Holding for cutting board pin
9321374 Salad pan cover pin hinge

ADDITIONAL PARTS

F18SC39A SERIES

000-402-003T Removable 6-pan hinged cover
XMK00005 19" Lo Profile Door Assembly

F18SC39B, F18SC52B

000-402-003X Removable 8 pan cover
XMK00005 19" Lo Profile Door Assembly

F18SC52A, SERIES

000-402-003T Removable 6-pan hinged cover
XMK00005 19" Lo Profile Door Assembly

F18SC52C SERIES

000-402-0041 Removable 10-pan hinged cover
XMK00005 19" Lo Profile Door Assembly

F18SC52D SERIES

000-402-0045 Removable 12-pan hinged cover
XMK00005 19" Lo Profile Door Assembly

F18SC60A SERIES

000-402-003T Removable 6-pan hinged cover
XMK00005 19" Lo Profile Door Assembly
XMK00007 27" Lo Profile Door assembly

F18SC60B SERIES

000-402-003T Removable 6-pan hinged cover
XMK00005 19" Lo Profile door assembly
XMK00007 27" Lo profile door assembly

F18SC60C SERIES

000-402-003T Removable 6-pan hinged cover
XMK00005 19" Lo Profile Door Assembly
XMK00007 27" Lo profile door assembly

F18SC60D SERIES

000-402-003T Removable 6-pan hinged cover
XMK00005 19" Lo Profile Door Assembly
XMK00007 27" Lo profile door assembly

F18SR SERIES

STANDARD PARTS

XMK00109 Coil assembly solenoid
1701000 Cutting board pin
2183348 Cord/plug assembly
2190154 On/Off Switch
2193927 Pressure control
3234266 Right pan cover end hinge
3234282 Left end pan cover hinge
3234392 Double (Center) pan cover hinge
3234645 Leg
3516135 Hanging 4" thermometer
3516225 Expansion valve
9321041 Chrome plated acorn nut
9321136 Holding for cutting board pin
9321374 Salad pan cover pin hinge

ADDITIONAL PARTS

F18SR31A & F18SR44A SERIES

000-402-003T Removable 6-pan hinged cover
XMK00005 19" Lo Profile Door Assembly

F18SR44B SERIES

000-402-003X Removable 8 pan hinged cover
XMK00005 19" Lo Profile Door Assembly

F18SR44C SERIES

000-402-0041 Removable 10 pan hinged cover
XMK00005 19" Lo Profile Door Assembly

F18SR52A SERIES

000-402-003T Removable 6-pan hinged cover
XMK00005 19" Lo Profile Door Assembly
XMK00007 27" Lo Profile Door Assembly

F18SR52B SERIES

000-402-003X Removable 8 pan hinged cover
XMK00005 19" Lo Profile Door Assembly
XMK00007 27" Lo Profile Door Assembly

F18SR52C SERIES

000-402-0041 Removable 10 pan hinged cover
XMK00005 19" Lo Profile Door Assembly
XMK00007 27" Lo Profile Door Assembly

F18SR52D SERIES

000-402-0045 Removable 12 pan hinged cover
XMK00005 19" Lo Profile Door Assembly
XMK00007 27" Lo Profile Door Assembly

F18WC SERIES

STANDARD PARTS

SMK00039 Louver
XMK00107 Evaporator Coil Assembly
1701000 Cutting board pin
2183348 Cord/plug assembly
2193927 Pressure control
3234290 Plastic plug shelf support
3234645 Leg
3516135 Hanging 4" thermometer
9321041 Chrome plated acorn nut
9321132 Long stud dog-point
9321136 Holding for cutting board pin
9321374 Salad pan cover pin hinge

ADDITIONAL PARTS

F18WC39 SERIES

SMK00039 Louver Assembly
XMK00001 Door assembly 19"
3977984 19" Wire Shelf

F18WC47 SERIES

SMK00039 Louver Assembly
XMK00003 Door assembly 27"
3978014 27" Wire Shelf

F18WC52 SERIES

SMK00039 Louver Assembly
XMK00001 Door assembly 19"
3977984 19" Wire Shelf

F18WC60 SERIES

SMK00039 Louver Assembly
XMK00001 Door assembly 19"
XMK00003 Door assembly 27"
3977984 19" Wire Shelf
3978014 27" Wire Shelf

F18WC68 SERIES

SMK00039 Louver Assembly
XMK00003 Door assembly 27"
3978014 Wire Shelf 27"

F18WC78 SERIES

SMK00039 Louver Assembly
XMK00004 Door assembly 32"
3977983 32" Wire Shelf

F18WC87 SERIES

SMK00039 Louver Assembly
XMK00001 Door assembly 19"
XMK00003 Door assembly 27"
3977984 19" Wire Shelf
3978014 27" Wire Shelf

F18WC95 SERIES

SMK00039 Louver Assembly
XMK00003 Door assembly 27"
3978014 27" Wire Shelf

F18WR SERIES

STANDARD PARTS

1701000 Cutting board pin
3234290 Plastic plug shelf support
3234645 Leg
3516135 Hanging 4" thermometer
9321040 Stud spot
9321041 Chrome plated acorn nut
9321132 Long stud dog-point
9321136 Holding for cutting board pin
9321374 Salad pan cover pin hinge

ADDITIONAL PARTS

F18WR31 SERIES

XMK00001 Door assembly 19"
XMK00109 Evaporator Coil Assembly
3977984 Wire shelf 19"

F18WR39 SERIES

XMK00003 Door assembly 27"
XMK00109 Evaporator Coil Assembly
3978014 Wire shelf 27"

F18WR44 SERIES

XMK00001 Door assembly 19"
XMK00109 Evaporator Coil Assembly
3977984 Wire shelf 19"

F18WR52 SERIES

XMK00001 Door assembly 19"
XMK00003 Door assembly 27"
XMK00109 Evaporator Coil Assembly
3977984 Wire shelf 19"
3978014 Wire Shelf 27"

F18WR60 SERIES

XMK00003 Door assembly 27"
XMK00109 Evaporator Coil Assembly
3978014 Wire shelf 27"

F18WR70 SERIES

XMK00004 Door assembly 32"
XMK00109 Evaporator Coil Assembly
3977983 Wire shelf 32"

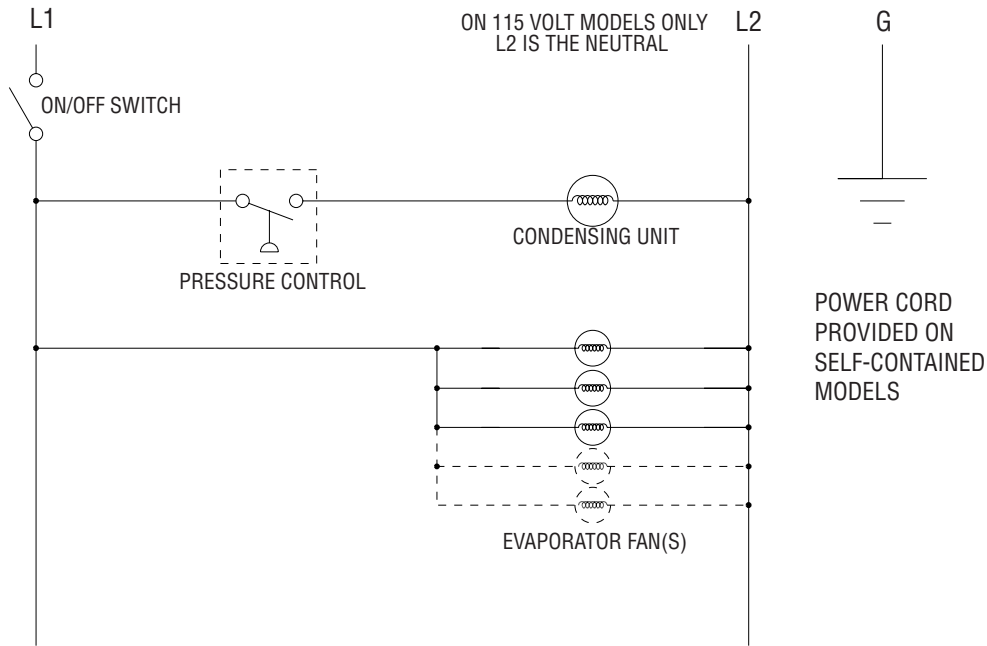
F18WR79 SERIES

XMK00001 Door assembly 19"
XMK00003 Door assembly 27"
XMK00108 Evaporator Coil Assembly
3977984 Wire Shelf 19"
3978014 Wire Shelf 27"



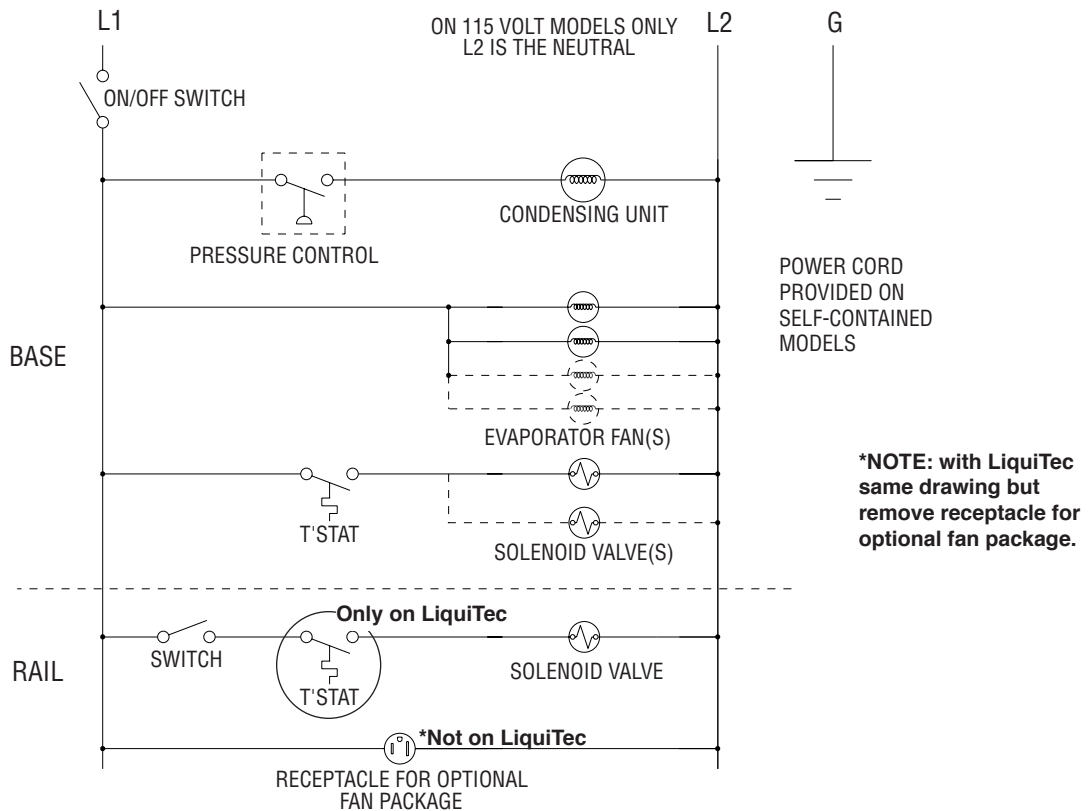
Wiring Diagram: Refrigerated Base Work Tables

F18WC



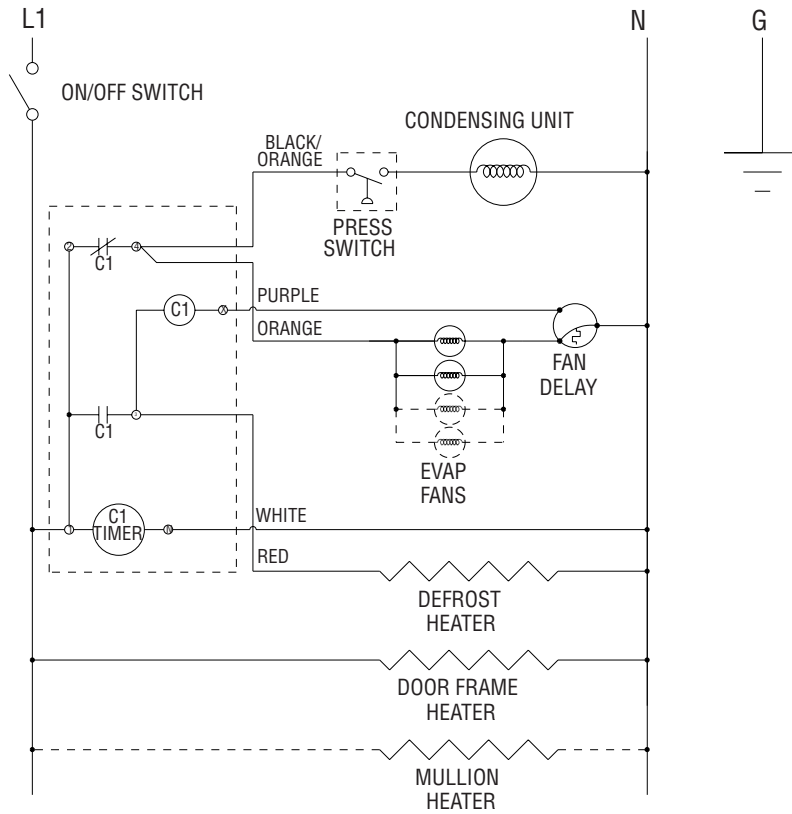
Wiring Diagram: Refrigerated Base & Reduced Rail Tables

F18MC, F18SC, F18BC & F18RC



Wiring Diagram: Freezer Base Work Tables

F18FC



Standard One Year Warranty (one year parts, 90 days labor)

The Delfield Company ("Delfield") warrants to the Original Purchaser of the Delfield product (herein called the "Unit") that such Unit, and all parts thereof, will be free from defects in material and workmanship under normal use and service for a period of one (1) year from the date of shipment of the Unit to the Original Purchaser **or, if the Original Purchaser returns the warranty card completely filled out including the date of installation within thirty (30) days of receipt of the Unit, one (1) year from the date of installation.** During this one year warranty period, Delfield will repair or replace any defective part or portion thereof returned to Delfield by the Original Purchaser which Delfield determines was defective due to faulty material or workmanship. The Original purchaser will pay all labor, crating, freight and related costs incurred in the removal of the Unit of defective component and shipment to Delfield, except that during a period of either ninety (90) days from the date of shipment of the Unit to the Original Purchaser or, if the Original Purchaser returns the warranty card completely filled out including the date of installation within thirty (30) days of receipt of the Unit, ninety (90) days from the date of installation Delfield will pay all related labor costs. Delfield will pay the return costs if the Unit or part thereof was defective.

The term "Original Purchaser" as used herein means that person, firm, association, or corporation for whom the Unit was originally installed.

This warranty does not apply to any Unit or part thereof that has been subjected to misuse, neglect, alteration, or accident, such as accidental damage to the exterior finish, operated contrary to the recommendations specified by Delfield; or repaired or altered by anyone other than Delfield in any way so as to, in Delfield's sole judgement, affect its quality or efficiency. This warranty does not apply to any Unit that has been moved from the location where it was originally installed. This warranty also does not cover the refrigerator drier or the light bulbs used in the Unit. **The warranty is subject to the user's normal maintenance and care responsibility as set forth in the Service and Installation Manual, such as cleaning the condenser coil, and is in lieu of all other obligations of Delfield. Delfield neither assumes, nor authorizes any other person to assume for Delfield, any other liability in connection with Delfield's products.**

Removal or defacement of the original Serial Number or Model Number from any Unit shall be deemed to release Delfield from all obligations hereunder or any other obligations, express or implied.

Parts furnished by suppliers to Delfield are guaranteed by Delfield only to the extent of the original manufacturer's express warranty to Delfield. Failure of the Original Purchaser to receive such manufacturer's express warranty to Delfield. Failure of the Original Purchaser to receive such manufacturer's warranty shall in no way create any warranty, expressed or implied, or any other obligation or liability on Delfield's part in respect thereof.

If shipment of a replacement part is requested prior to the arrival in the Delfield factory of the part claimed to be defective, the Original Purchaser must accept delivery of the replacement part of a C.O.D. basis, with credit being issued after the part has been received and inspected at Delfield's plant and determined by Delfield to be within this warranty.

Under no condition does this warranty give the Original Purchaser the right to replace the defective Unit with a complete Unit of the same manufacturer or of another make. Unless authorized by Delfield in writing, this warranty does not permit the replacement of any part, including the motor-compressor, to be made with the part of another make or manufacturer.

No claims can be made under this warranty for spoilage of any products for any reason, including system failure.

The installation contractor shall be responsible for building access, entrance and field conditions to insure sufficient clearance to allow any hood(s), vent(s), or Unit(s) if necessary, to be brought into the building. Delfield will not be responsible for structural changes or damages incurred during installation of the Unit or any exhaust system.

Delfield shall not be liable in any manner for any default or delay in performance hereunder caused by or resulting from any contingency beyond Delfield's control, including, but not limited to, war, governmental restrictions or restraints, strike, lockouts, injunctions, fire, flood, acts of nature, short or reduced supply of raw materials, or discontinuance of the parts by the original part manufacturer.

Except as provided in any Additional Four Year Protection Plan, if applicable, and the Service Labor Contract, if applicable, the foregoing is exclusive and in lieu of all other warranties, whether written or oral, express or implied. This warranty supersedes and excludes any prior oral or written representations or warranties. Delfield expressly disclaims any implied warranties of merchantability, fitness for a particular purpose of compliance with any law, treaty, rule or regulation relating to the discharge of substances into the environment. The sole and exclusive remedies of any person relating to the Unit, and the full liability of Delfield for any breach of this warranty, will be as provided in this warranty.

Other than this Delfield Standard One Year Limited Warranty, any applicable Delfield Additional Four Year Protection Plan or applicable Delfield Service Labor Contract, the Original Purchaser agrees and acknowledges that no other warranties are offered or provided in connection with or for the unit or any other part thereof.

In no event will Delfield be liable for special, incidental or consequential damages, or for damages in the nature of penalties.

Additional Four Year Protection Plan (for Motor-Compressor only)

Delfield Model#	Serial #	Installation Date

In addition to the Standard One Year Warranty on the Motor-Compressor contained in the above listed Delfield product (the "Unit"), The Delfield Company ("Delfield") also agrees to repair, or exchange with similar or interchangeable parts in design and capacity at Delfield's option, the defective Motor-Compressor contained in the Unit (the "Motor-Compressor), or any part thereof, for the Original Purchaser only, at any time during the four (4) years following the initial one (1) year period commencing on the date of installation for the Original Purchaser. **Failure of the Original Purchaser to register the registration card containing the Original Purchasers name, address, date of installation, model number and serial number of the Unit containing the Motor-Compressor within 30 days from the date of installation shall void this warranty.** This additional warranty is only available if the Motor-Compressor is inoperative due to defects in material or factory workmanship, as determined by Delfield in its sole judgement and discretion. The Original Purchaser shall be responsible for returning the defective Motor-Compressor to Delfield prepaid, F.O.B. at the address shown on the back cover of this manual.

The term "Original Purchaser" as used herein means that person, firm, association, or corporation for whom the Unit was originally installed.

The term "Motor-Compressor" as used herein does not include unit base, air or water cooled condenser, receiver, electrical accessories such as relay, capacitors, refrigerant controls, or condenser fan/motor assembly. This warranty does not cover labor charges incidental to the replacement of parts. This warranty further does not include any equipment to which said condensing unit is connected, such as cooling coils, temperature controls or refrigerant metering devices. This warranty shall be void if the Motor-Compressor, in Delfield's sole judgement, has been subjected to misuse, neglect, alteration or accident, operated contrary to the recommendations specified by the Unit manufacturer, repaired or altered by anyone other than Delfield in any way so as, in Delfield's sole judgment, to affect its quality or efficiency or if the serial number has been altered, defaced or removed. This Warranty does not apply to a Motor-Compressor in any Unit that has been moved from the location where it was originally installed. The addition of methyl chloride to the condensing unit or refrigeration system shall void this warranty.

General Conditions

Delfield shall not be liable in any manner for any default or delay in performance hereunder caused by or resulting from any contingency beyond Delfield's control, including, but not limited to, war, governmental restrictions or restraints, strike, lockouts, injunctions, fire, flood, acts of nature, short or reduced supply of raw materials, or discontinuance of any part or the Motor-Compressor by the unit manufacturer.

Replacement of a defective Motor-Compressor is limited to one (1) Motor-Compressor by us during the four (4) year period. Delfield shall replace the Motor-Compressor at no charge.

This warranty does not give the Original Purchaser of the Motor-Compressor the right to purchase a complete replacement Motor-Compressor of the same make or of another make. It further does not permit the replacement to be made with a Motor-Compressor of another kind unless authorized by Delfield. In the event Delfield authorizes the Original Purchaser to purchase a replacement Motor-Compressor locally, only the wholesale cost of the Motor-Compressor is refundable.

Expressly excluded from this warranty are damages resulting from spoilage of goods.

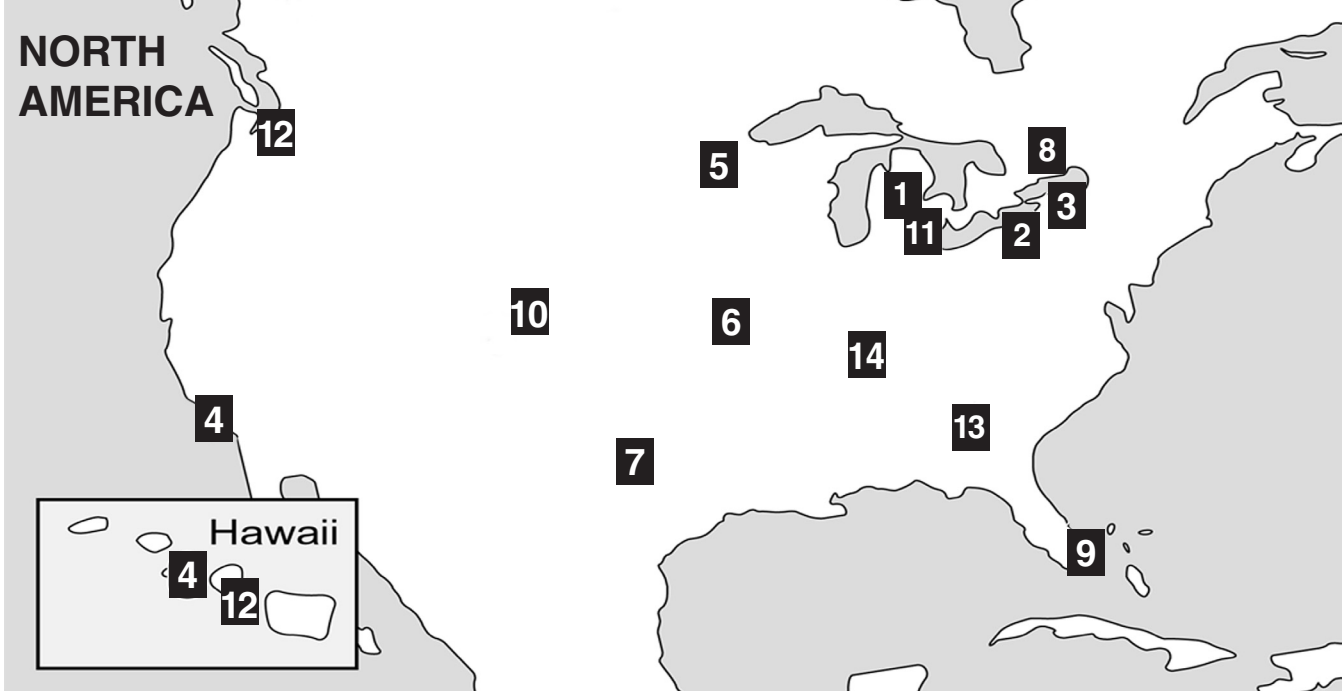
Except as provided in any applicable Standard One Year Limited Warranty or applicable Service Labor Contract, the foregoing is exclusive and in lieu of all other warranties, whether written or oral, express or implied. This Warranty supersedes and excludes any prior oral or written representations or warranties. Delfield expressly disclaims any implied warranties of merchantability, fitness for a particular purpose or compliance with any law, treaty, rule or regulation relating to the Motor-Compressor, and the full liability of Delfield for any breach of this warranty, will be as provided in this warranty.

Other than any applicable Delfield Standard One year Limited Warranty, this Delfield Additional Four Year Protection Plan and any applicable Delfield Service Labor Contract, the Original Purchaser agrees and acknowledges that no other warranties are offered or provided in connection with or for the Motor-Compressor or any part thereof.

In no event will Delfield be liable for special, incidental or consequential damages, or for damages in the nature of penalties.



AUTHORIZED PARTS DEPOTS



Delfield has 14 conveniently located Parts Depots to ensure parts are handled promptly and accurately.

<p>1) The Delfield Company</p> <p>980 South Isabella Road Mt. Pleasant, MI 48858 800.733.8829 989.773.7981 989.773.3210 FAX custom parts direct from Delfield</p>	<p>2) A.I.S. Commercial Parts & Service</p> <p>1816 West 26th Street Erie, PA 16508-1149 800.332.3732 814.456.3732 814.452.4843 FAX serves: MD, NJ, OH, PA, VA, WV</p>	<p>3) Appliance Installation Service</p> <p>1336 Main Street Buffalo, NY 14209 800.722.1252 716.884.7425 716.884.0410 FAX serves: CT, DC, DE, MA, MD, ME, NH, NJ, NY, PA, RI, VA, VT, WV</p>	<p>4) Barker's Food Machinery</p> <p>5367 2nd Street Irwindale, CA 91706 800.258.6999 626.960.9390 626.337.4541 FAX serves: AZ, CA, HI, NV, OR</p>
<p>5) Contract Ice</p> <p>14450 Ewing Ave S. #100 Burnsville, MN 55306 800.422.2823 952.894.4427 952.894.2164 FAX serves: IA, MN, MT, ND, SD, WI</p>	<p>6) E.M.C.O. Sales & Distributors</p> <p>3909 St. Timothy Lane St. Ann, MO 63074 800.972.7670 314.427.7477 314.427.8190 FAX serves: AR, IA, IL, KS, KY, MO, NE, OK, TX, NM, LA</p>	<p>7) STOVE PARTS SUPPLY/GCS SERVICE</p> <p>2120 Solona St. PO Box 14009 Fort Worth, TX 76117-0009 1.800.433.1804 toll free 1.800.272.7358 fax serves: AR, LA, NM, OK, TX</p>	<p>8) Garland Group</p> <p>1177 Kamato Road Mississauga, Ontario L4W1X4 800.427.6668 800.361.7745 FAX serves: Canada</p>
<p>9) Global Parts and Supplies</p> <p>2920 N.W. 109th Avenue Miami, FL 33172 305.994.9994 305.994.9992 FAX International parts depot</p>	<p>10) Hawkins Commercial Appl. Serv.</p> <p>3000 S. Wyandot Englewood, CO 80110 (800) 624-2117 (303) 7618861 FAX serves: AZ, CO, KS, NE, NM, OK, UT, WY</p>	<p>11) MicroDine, Inc.</p> <p>44792 Helm Plymouth, MI 48170 888.828.4454 734.451.2043 734.451.3215 FAX serves: MI, IN, WI, OH</p>	<p>12) Performance Refrigeration Parts</p> <p>9923 S.W. 178th St. Vashon, WA 98070 888.872.2465 206-463-1772 206.463.4431 FAX serves: AK, HI, ID, MT, OR, WA</p>
<p>13) Southeastern Restaurant Services</p> <p>2200 Norcross Parkway, Suite 210 Atlanta, GA 30071 800.235.6516 770.446.6177 770.446.3157 FAX serves: FL, GA, MS, NC, SC, VA</p>	<p>14) T.M.A.</p> <p>2916 Sidco Drive Nashville, TN 37204 615.726.0351 800.737.0351 615.259.4100 FAX serves: TN, AL</p>		



980 S. Isabella Rd., Mt. Pleasant, MI 48858, U.S.A. • +1(989) 773-7981 or (800) 733-8829 • Fax (866) 779-2040 • www.delfield.com
Delfield reserves the right to make changes in design or specifications without prior notice. ©2007 The Delfield Company. All rights reserved. Printed in the U.S.A.

DM18 12/07

Free Manuals Download Website

<http://myh66.com>

<http://usermanuals.us>

<http://www.somanuals.com>

<http://www.4manuals.cc>

<http://www.manual-lib.com>

<http://www.404manual.com>

<http://www.luxmanual.com>

<http://aubethermostatmanual.com>

Golf course search by state

<http://golfingnear.com>

Email search by domain

<http://emailbydomain.com>

Auto manuals search

<http://auto.somanuals.com>

TV manuals search

<http://tv.somanuals.com>