



# 248 Series

Water And Ice Station

Project \_\_\_\_\_  
 Item \_\_\_\_\_  
 Quantity \_\_\_\_\_  
 CSI Section 11400  
 Approved \_\_\_\_\_  
 Date \_\_\_\_\_

248 Series Water And Ice Station

## Models

- 248 Water and ice station



248

## Standard Features

- 18-gauge stainless steel top with raised die stamped opening
- One-piece stainless lift off cover with handle
- ABS plastic interior liner with covered corners
- 1" diameter drain plumbed out the bottom
- High-density environmentally friendly, Kyoto Protocol Compliant, Non ODP (Ozone Depletion Potential), Non GWP (Global Warming Potential) polyurethane foam throughout unit
- Exterior tank is made of galvanized steel
- Glass filler is 9.5" high, over a dies stamped drain opening fitted with chrome plated wire strainer
- One year parts and 90 day labor standard warranty

## Options & Accessories

- Pitcher filler

## Specifications

Top is 18-gauge stainless steel. Top mounts a 9.5" (24.1 cm) high glass filler over die-stamped drain opening fitted with chrome-plated wire strainer. Bin opening is die-stamped with .19" (.48 cm) raised edge, measures 10.5" x 15.13" (26.7 x 38.4 cm), has one-piece lift-off stainless steel cover.

Bin liner is high-impact ABS plastic, has covered corners and is pitched to 1" (2.54 cm) diameter drain. Sides and bottom of bin insulated with high-density environmentally friendly, Kyoto Protocol Compliant, Non ODP (Ozone Depletion Potential), Non GWP (Global Warming Potential) polyurethane. Bin holds 45 pounds of ice.

Exterior housing is 24-gauge galvanized steel.

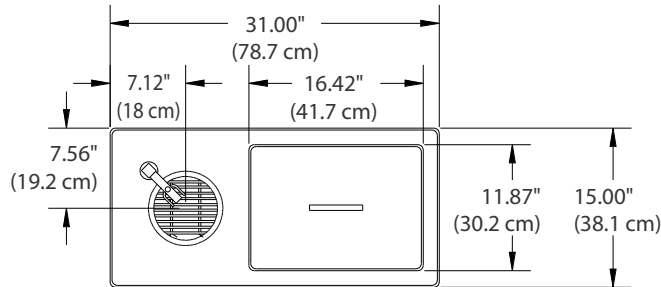


980 S. Isabella Rd.  
 Mt. Pleasant, Michigan 48858

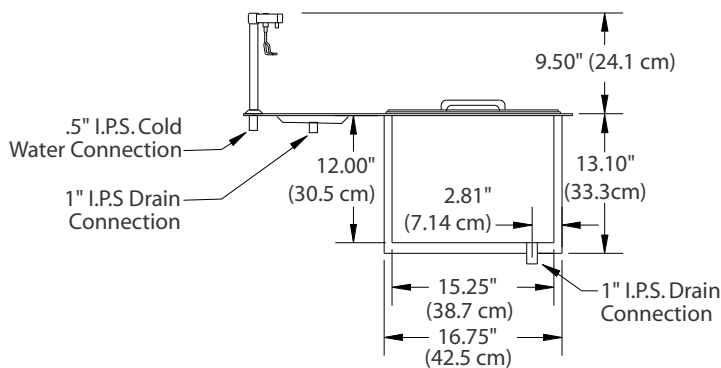
Phone: 800-733-8948 or 989-773-7981  
 Fax: 800-669-0619

[www.delfield.com](http://www.delfield.com)

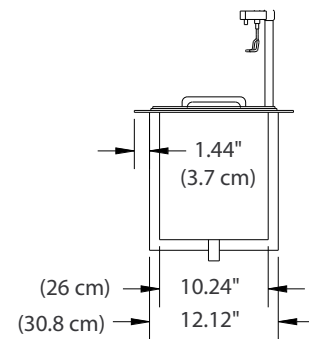
Enodis®



Plan View



Elevation View



Side View

| Specifications |                 |                 |                   |                                  |                 |                 |
|----------------|-----------------|-----------------|-------------------|----------------------------------|-----------------|-----------------|
| Model          | L               | D               | H                 | Cutout Size                      | Ice Capacity    | Ship Weight     |
| 248            | 31"<br>(78.7cm) | 15"<br>(38.1cm) | 22.6"<br>(57.4cm) | 28" x 12.5"<br>(71.1cm x 31.8cm) | 45lbs<br>(20kg) | 28lbs<br>(13kg) |

Delfield reserves the right to make changes to the design or specifications without prior notice.

980 S. Isabella Rd.  
Mt. Pleasant, Michigan 48858

Phone: 800-733-8948 or 989-773-7981  
Fax: 800-669-0619  
www.delfield.com

Printed in the U.S.A.  
DS248  
06/08

Enodis®

## Free Manuals Download Website

<http://myh66.com>

<http://usermanuals.us>

<http://www.somanuals.com>

<http://www.4manuals.cc>

<http://www.manual-lib.com>

<http://www.404manual.com>

<http://www.luxmanual.com>

<http://aubethermostatmanual.com>

Golf course search by state

<http://golfingnear.com>

Email search by domain

<http://emailbydomain.com>

Auto manuals search

<http://auto.somanuals.com>

TV manuals search

<http://tv.somanuals.com>