



# PAC 400

Use and maintenance manual . . . . .	page 2
Mode d'emploi et d'entretien . . . . .	page 15
Instrucciones de uso . . . . .	página 28
Istruzioni per l'uso . . . . .	pagina 41



# Important Safeguards

When using electrical appliances, basic safety precautions should always be followed, including the following:

- Read all instructions.
- To protect against fire, electrical shock and personal injury, do not immerse cord, plug or appliance in water or other liquid.
- Close supervision is necessary when any appliance is used by or near children.
- Do not operate with a damaged cord or plug, or after the appliance malfunctions, or has been damaged in any manner. Return the appliance to the nearest authorized service facility for examination, repair or adjustment.
- The use of accessory attachments or spare parts not recommended by the appliance manufacturer may result in fire, electrical shock or personal injury.
- Do not use outdoors.
- This appliance must be connected to an efficient "grounding" system. Have your electrical system checked out by a qualified electrician.
- Do not use the appliance for other than the intended use.
- Do not place any strain on the power cord. Avoid twisting and/or tangling.
- The Pinguino should not be installed where the atmosphere could contain combustible gases.
- Avoid using Pinguino in oily or sulphurous atmospheres or near sources of heat.
- Wait at least 3 minutes before restarting, after the air conditioner has been switched off or the thermostat setting changed.
- Do not place hot or heavy objects on the appliance.
- Clean air filter every week (see instructions at page 12).
- **Important:** If you need to use an extension cord, please be sure to use a **heavy duty** extension cord (minimum 14 gauge).

**SAVE THESE INSTRUCTIONS**



Dear user,

We thank you for purchasing the Pinguino air conditioner and congratulate you on your wise choice.

For optimal results please read this manual carefully before installing or operating.

We know that Pinguino will maintain a pleasingly comfortable environment at all times.

With best wishes,

**De Longhi S.p.A.**

**If you have any questions about the operation or service of your Pinguino, please call our toll-free service number 1-800-322-3848.**

**or visit our internet site:**

**[www.delonghiusa.com](http://www.delonghiusa.com)**

**for general overlook of De'Longhi group visit:**

**[www.delonghi.com](http://www.delonghi.com)**

## INTRODUCTION

This air conditioner consists of two units: the internal unit is designed to operate inside the room to be conditioned; the external unit is installed outside the room.

The two units are connected by a special hose, approximately 13 ft. (3 metres) in length. This hose contains the freon tubes, the electrical wiring and the condensation discharge tube.

OPERATIONAL AIR CONDITIONING LIMITS		
Room temperature	70÷90°F	21 ÷ 32°C
Outside temperature	70÷110°F	21 ÷ 43°C

## TECHNICAL FEATURES

Power supply	
voltage	See the features plate
Maximum absorbed power	"
Cooling capacity	"
Number of fan speeds	2
Flexible tube length	13 3900 mm
Sheathing section	3/4"x 1 3/4" (20 x 44 mm)

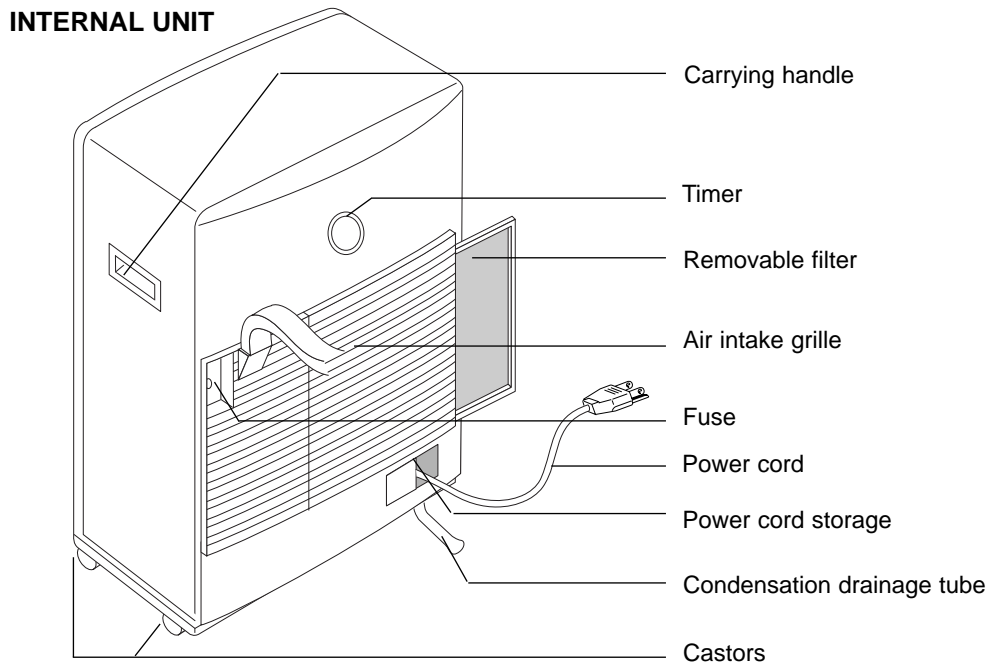
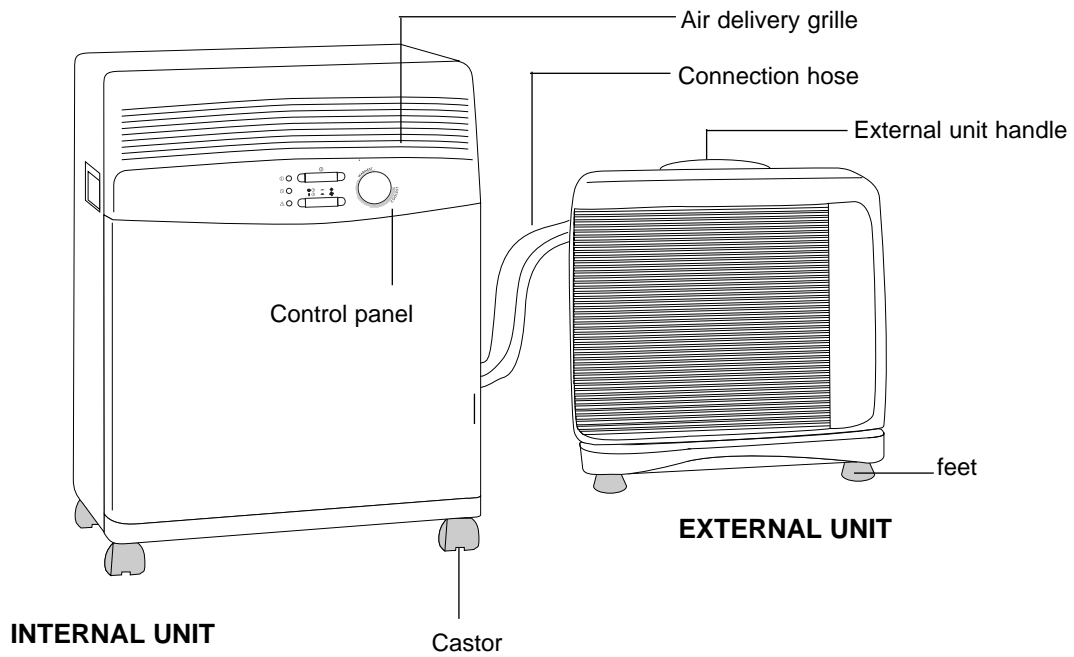
### Dimensions: indoor unit

• length	22" 560 mm
• height	29" 730 mm
• depth	15" 375 mm
• weight	44 kg

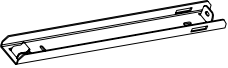

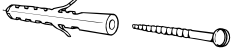





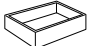
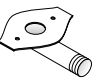

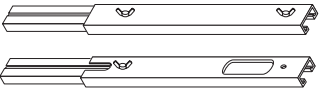

### Dimensions: outdoor unit

• length	22 1/2" 570 mm
• height	19" 480 mm
• depth	10" 260 mm
• weight	17 kg

# Description



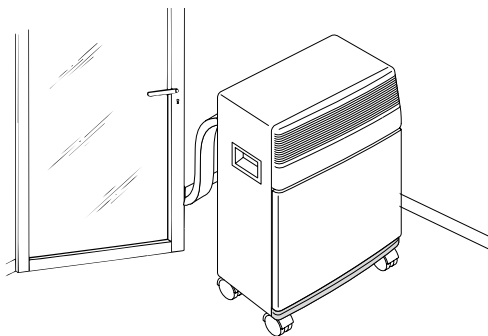
# Accessories

DRAWING	DESCRIPTION	NO. PIECES PROVIDED
	Wall-attachment bracket	2
	Support block for external unit	2
	Anchor screws + screws ø 6 mm	4
	Screws M6 mm	2
	Screws M4x25 mm	4
	Belt with hooks	2
	Eye hole screw	2
	Sheathing frame	1
	Castor stop	2
	Drain connection for condensation with seal and two 4.2 penetrating screws	1
	Castors for the external unit and washers	4
	Adjustable window and door bracket	2
	4 professional wheels	4

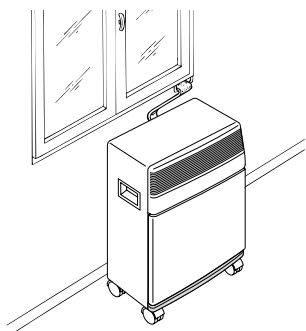
# Setting up

The sheathing that connects the external to the internal unit may pass:

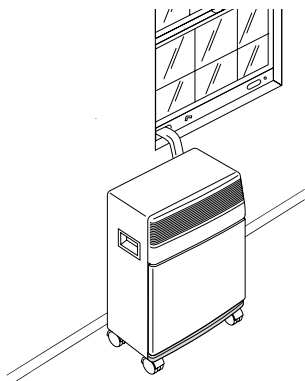
- a) through a slightly-open window or door;



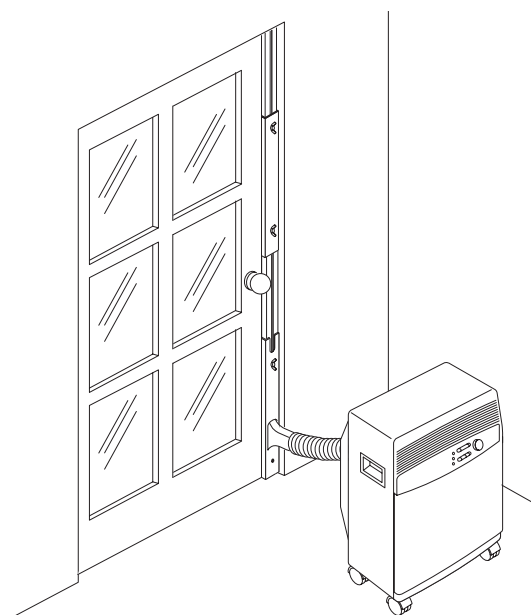
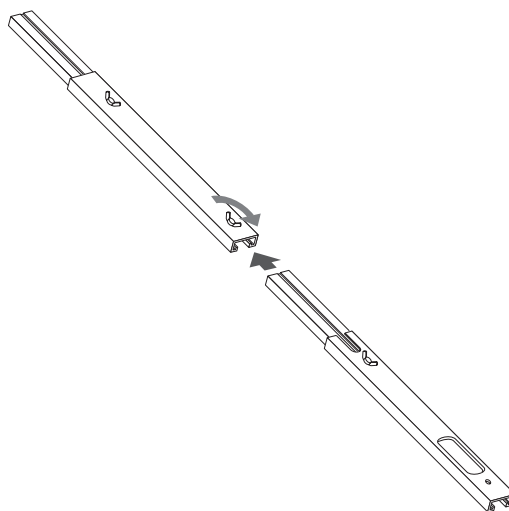
- b) through a small hole 2.16" x 0.98" (2.5 cm x 5.5 cm) drilled in the lower part of a door or in a window frame by using the frame provided.



- c) through a small hole in the window bracket. *If you have a sliding window*, place the bracket on the window sill, extend the bracket fully within the window frame, fit the bracket by turning the wing nut and lower the window onto the bracket after having passed the sheathing through the slot. With the wing nut it's possible to use the window bracket also for sliding windows.



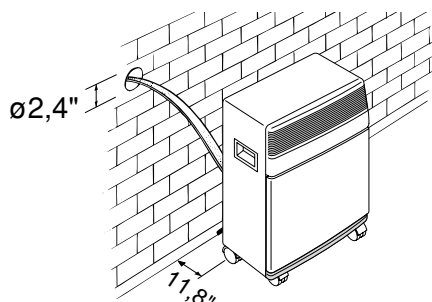
If you have a sliding door, use the additional set provided in order to extend the accessory to the desired length; joining the two parts, adjust the total length according to your needs then, fit the bracket with the relevant nuts, close the door and connect the hose.



# Setting up

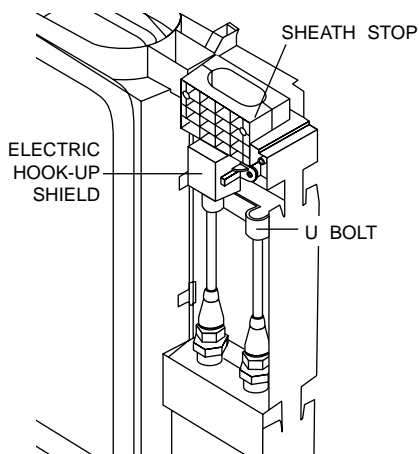
## USE OF RAPID COUPLINGS

In addition to the methods described above, the sheathing that joins the external to the internal unit may also be drawn through a hole (about 6 cm. in diameter) drilled in a wall linked to the outside.

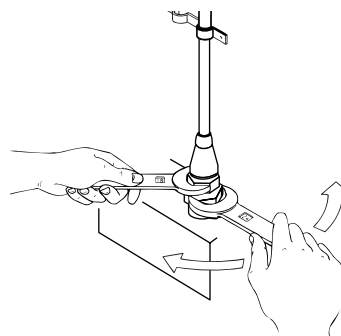


In this case, the hook-ups with the external unit must be disconnected as follows:

- 1) Remove the plug from the electric outlet;
- 2) Remove the handle by loosening the two screws and then slipping off the facing.



- 3) Remove the U bolt by loosening the two screws.
- 4) Remove the sheath stop by loosening the two screws.
- 5) Using a 24-version wrench, unscrew the union on the coupling. At the same time, hold the end of the flexible tube tight by using a 21-version wrench. Repeat this operation for the second union using a 24- and a 19-version wrench.



- 6) Disconnect the condensation tube from the rubber holder.
- 7) Loosen the shield's two self-threading screws and disconnect the electric hook-up unit.

The path of the connecting sheath should be as straight as possible, without sharp curves or kinks.

To re-connect the detached ends of the sheath to the internal unit, you must repeat operations 1 through 7 in reverse order, being careful to observe the following precautions:

- Before drawing the sheath through the hole in the wall, you should wrap the threaded ends of the speedy couplings with duck tape or the like as a protective measure.
- Fit the upper two cooling junctures into the two lower ones and hand-screw them several turns while checking to be certain they are well-fitted, and then tighten them with the wrenches used earlier.
- After having hooked up the two cooling junctures, tighten the U bolts.
- Check the grip on the cooling junctures by wetting the joints with a little soapy water. No bubbles should appear.

### Caution:

**We recommend that the disconnecting and connecting of the rapid couplings be carried out only by qualified technicians.**

# Setting up

## INTERNAL UNIT

Install the internal unit inside the room to be air-conditioned. This is usually done near a window or at least close to an outside wall.

The internal unit must be placed "on the level", with the help of the castor-stops provided. No obstacles should block this unit's in-take (suction grille, rear part of the unit) or out-take (outlet grille, front part of the unit) areas.

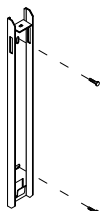
## EXTERNAL UNIT

The external unit may be placed on a terrace or balcony, in which case the brackets need not to be used.

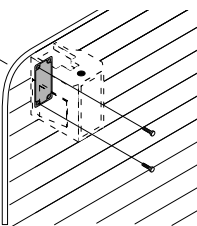


The external unit can be attached to a wall with the accessories included as follows:

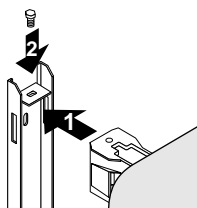
- 1) Attach the bracket to the wall while taking care to place it as indicated in the drawing. Use the included template located on the plastic cover in order to drill the holes.



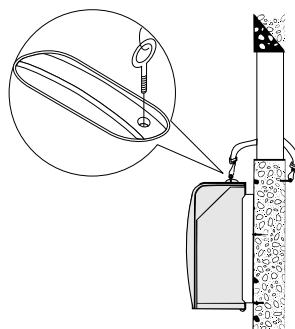
- 2) To fix the support blocks to the external unit remove the two screws already inserted in the holes. Then screw the support blocks with the included M4mm screws while taking care to place them so that the hole for the screws is on the upper side.



- 3) Attach the external unit to the bracket by means of the M6mm screws.



For temporary installation it is possible to hang the external unit as illustrated in the drawing. In this case, use the included straps by attaching them to the eye hooks. Before inserting the eye hooks remove the rubber plugs.



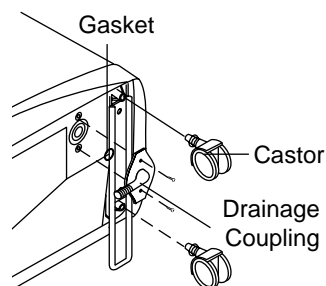
The external unit may be installed above or at the same height as the internal unit, on the condition that the difference is no more than 5" (1.5 m.)

The suction and air-delivery portions of external unit must not be blocked by obstacles of any nature. The distance between the back of the appliance and the wall must be six 2 1/2" (6) cm.

The condensation which forms while this appliance is running (summer time operations) is disposed of by evaporation from the external unit.

If the humidity is too high (in special cases), you must use the drainage coupling provided to get rid of condensation. This device must be mounted on the bottom of the external unit (see drawing) after the rubber plug has been removed.

We strongly recommend that you protect the external unit from rain, snow, direct sunlight and water dripping from the roof.





# Recommendations

## ELECTRICAL CONNECTIONS

Check that the power supply voltage is the same as the one indicated in the rating label.

**Important:** If you need to use an extension cord, please be sure to use a **heavy duty** extension cord (minimum 14 gauge).

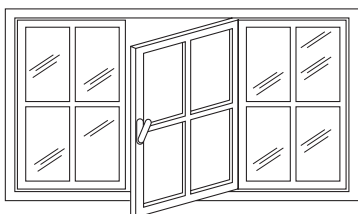
Before connecting the Pinguino to power supply, make sure that all switches on the front control panel are in the OFF position. Connect power cord found in storage compartment at rear of Pinguino.

**Replacement of the power cord must be carried out by qualified personnel.**

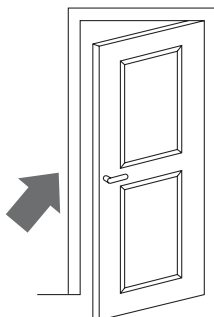
## A LAST LOOK AT THE ROOM

There are several precautions you should keep in mind so as to get the best use out of your air conditioner:

- Close the doors and windows in the room to be air-conditioned (except for installations, in which one window must be left partially open).

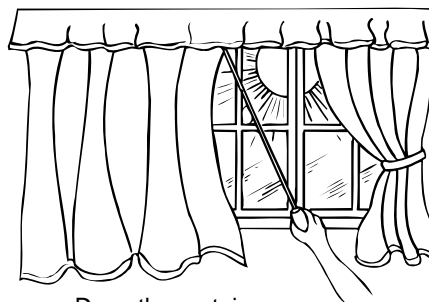


Close the windows



Close the doors

- In order to insure low-cost operations, protect the room from direct sunlight by drawing the curtains and/or by partially lowering or closing the shutters or blinds



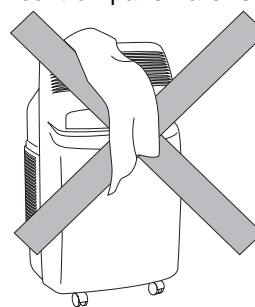
Draw the curtains



Lower (or partially close) the shutters

- Do not place objects on top the air-conditioner.
- Do not block the suction and air delivery areas.
- Make certain there are no heating sources in the room.

**Note:** Before connecting this appliance to the electrical circuit, make certain that all the buttons on the control panel are switched off.



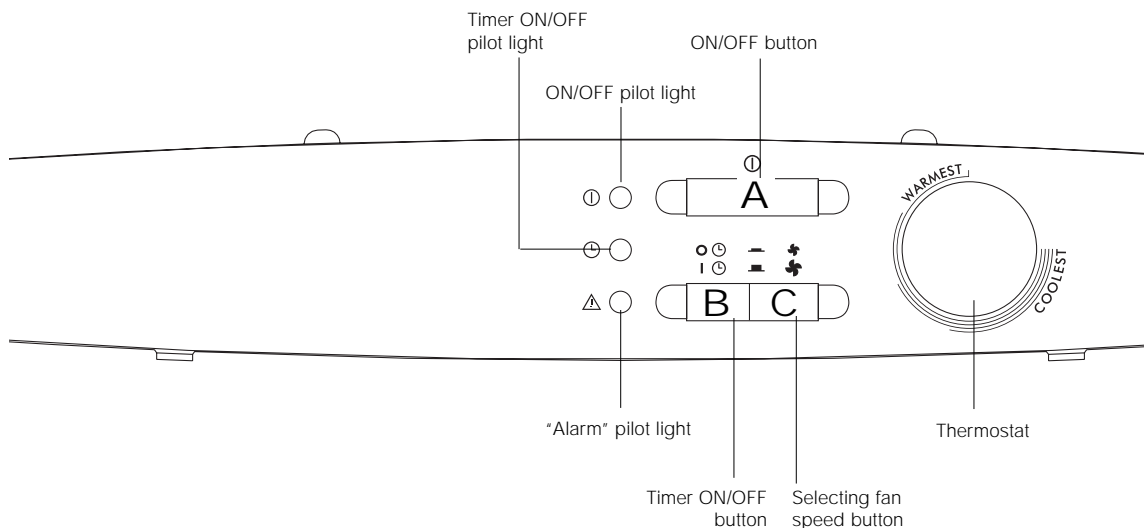
Do not cover

IN THIS WAY, YOUR AIR CONDITIONER IS READY TO WORK, so now let's familiarize ourselves with its controls.

Do not use outdoors.

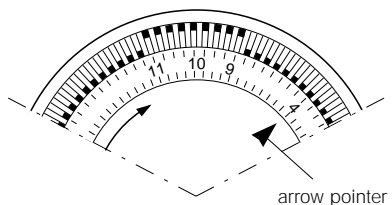
**This appliance is equipped with a safety system which prevents the compressor from turning on until at least three (3) minutes have elapsed since the appliance was last turned off.**

# Control panel



## SETTING THE TIMER

The programmer/timer, like all clocks, must be set to the exact time. If for example it is 4.00 p.m., turn the dial in a clockwise direction (following the direction of the arrow) until the number 4 is lined up with the arrow pointer (the arrows indicates 4:00 p.m. approximately).



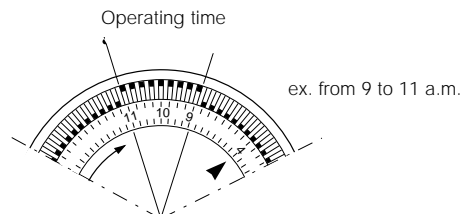
**Note:** Never turn the dial in an counter-clockwise direction!

The timer is in effect, an electric clock and works only if the plug is connected to the power supply. Whenever the plug is disconnected or there is a power failure, the programmer stops (the clock is then "slow") and must be re-set.

The unit can be used in either **programmed** or **non-programmed** mode.

## PROGRAMMED MODE

- 1) Release B timer button
- 2) Set the operating times by pushing out the notches on the dial corresponding to the period required (each notch represents 15 mins.).
- 3) Check that the timer indicates the correct time (see instructions on setting).



- 4) Select the desired function as shown in the chart overleaf.  
The unit will now switch on and off each day at the selected times and the Timer ON/OFF pilot light will be on.

Note: To override the programmed operating times, simply press the ON/OFF key.

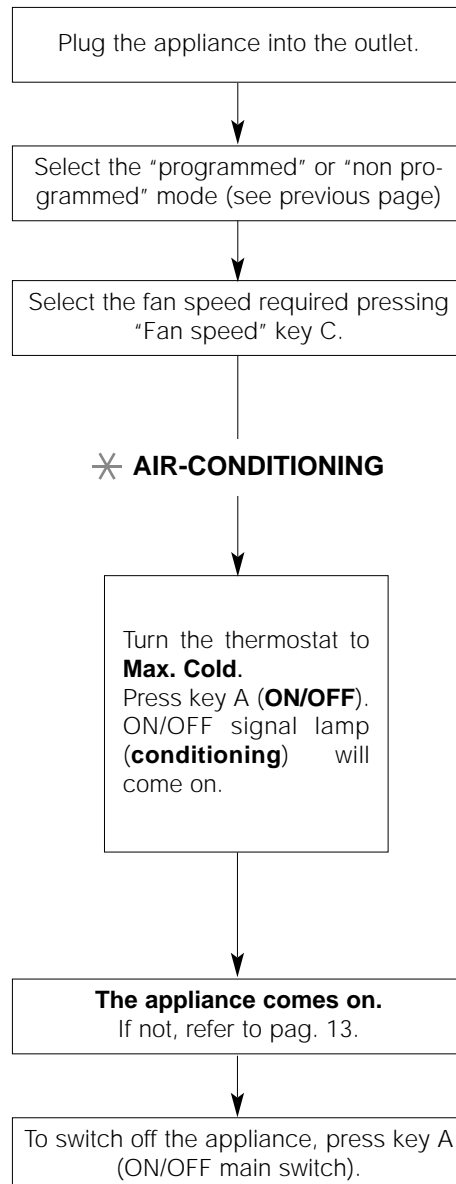
## NON-PROGRAMMED MODE

- 1) B TIMER button must be pressed
- 2) Select the desired function as shown in the chart on the following page.

For technical reasons, the temperature is not expressed in degrees but by a line increasing in thickness. We therefore recommend that when starting up the appliance, the thermostat be turned to maximum (Pos. "Coolest"). When the desired temperature has been reached move the thermostat slider slowly away from the maximum cold position until the appliance is switched off by operation of the thermostat. In this way the appliance has been programmed with the exact temperature degree required, which is then maintained automatically by the thermostat

# How to operate the air conditioner

(REFER TO THE CONTROL PANEL ON THE OPPOSITE PAGE)



**This appliance is fitted with a special safety circuit. When the compressor switches off, this circuit prevents it from switching on again for at least 3 minutes.**

# Cleaning and maintenance

## MAINTENANCE

Always pull the plug from the electrical outlet before beginning any cleaning or maintenance operations.

For safety reasons, never wash the air conditioner with water.

## CLEANING THE UNIT

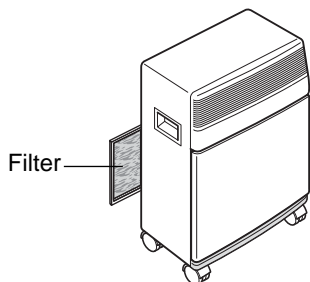
Clean your air-conditioner with a damp cloth and then wipe it with a dry cloth.

### Precautions:

Never use gasoline, alcohol or solvents to clean this appliance. Never spray it with insecticide or similar liquids, because the paint might then peel off and the plastic portions might lose their true shape.

## CLEANING THE AIR FILTER

- If the air filter gets dirty, it will be difficult for the air to circulate and the air-conditioner will lose much of its efficiency, thus leading to about an 8% increase in electrical consumption. For this reason, it is a good idea to clean the filter
- Remove the air filter as shown below.



- Use a vacuum cleaner to remove the dust on the filter. If the filter is very dirty, dip it in warm water (of less than 40° C.) and rinse it several times. After having washed the filter, let it dry completely before putting it back in place.

## CHECKS TO MAKE AT A SEASON'S BEGINNING

Check to make certain that the power cord and the electrical outlet are in perfect condition and that there is a suitable grounding system.

Give strict observance to all installation norms.

## WORK TO BE DONE AT A SEASON'S END

Turn off the air-conditioner.


Clean the filter and dry it before putting it back in place.

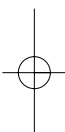
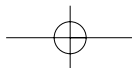
Cover the air conditioner with a plastic bag to keep the appliance from getting dusty.

# Troubleshooting

## IF SOMETHING GOES WRONG

Most malfunctions are caused by a very minor and easily solved problem. So carefully check this list before contacting a Delonghi Service Center.

PROBLEMS	CAUSES	REMEDIES
<p><b>The air conditioner does not function</b></p>	<ul style="list-style-type: none"> <li>• Power failure</li> <li>• The appliance is not plugged in</li> <li>• Less than 3 minutes have passed since the appliance was last switched off</li> <li>• Timer key is in STOP position</li> <li>• The fuse is blown</li> </ul>	<ul style="list-style-type: none"> <li>• Wait until the power supply is restored</li> <li>• Insert the plug</li> <li>• Wait three minutes</li> <li>• Release the TIMER key</li> <li>• Contact a Delonghi Service Centre</li> </ul>
<p><b>The air conditioner works for a short time.</b>  <b>The pilot lamp  comes on</b></p>	<ul style="list-style-type: none"> <li>• The safety float has switched the appliance off because the condensation tray inside the appliance is full</li> </ul>	<ul style="list-style-type: none"> <li>• Remove the plug from the drainage tube and drain the condensation from the tray. If this fault persists, contact a Delonghi Service Centre</li> </ul>
<p><b>The appliance functions for only brief periods because reset switch activates</b></p>		<ul style="list-style-type: none"> <li>• Switch the appliance off and contact a Delonghi Service Center.</li> </ul>
<p><b>The air conditioner functions but the room is not cooled</b></p>	<ul style="list-style-type: none"> <li>• Window open</li> <li>• Source of heat in the room (heater, lamp, etc.) or the room is very crowded</li> <li>• The thermostat is set too high</li> <li>• The air filter is dirty</li> <li>• The air conditioner is not powerful enough for the size or the conditions of the room</li> </ul>	<ul style="list-style-type: none"> <li>• Close the window</li> <li>• Remove source of heat</li> <li>• Lower the thermostat setting</li> <li>• Clean the filter</li> </ul>



### LIMITED WARRANTY

We warrant each DE'LONGHI AIR CONDITIONER to be free from defects in material and workmanship. Our obligation under this warranty is to provide one year parts and labor free from purchase date, with an additional four (4) years on any part of the sealed system consisting of the compressor, evaporator, condenser and factory connected refrigerant tubing. This warranty shall apply only if the AIR CONDITIONER is used in accordance with the factory directions which accompany it, and on Alternating Current (AC) circuit. This warranty is in lieu of all other warranties and representations, expressed or implied, and all other obligations or liabilities on our part. We do not authorize any other person or company to assume for us any liability in connection with the sale or use of our AIR CONDITIONER. This warranty shall not apply to assume for us any liability in connection with the sale or use of our AIR CONDITIONER. This warranty shall not apply to any AIR-CONDITIONER which shall have been repaired or altered outside our factory nor shall it apply to any AIR CONDITIONER which has been subjected to misuse, negligence or accidents.

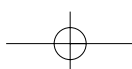
If repairs become necessary or spare parts are needed, please write to:

**De'Longhi America Inc.**

Park 80 West Plaza One 4th floor  
Saddle Brook, NJ 07663  
or call Service Tel. No. 1-800-322-3848

**De' Longhi CANADA**

1040 Ronsa Court  
MISSISSAUGA, ONTARIO  
L4W 3Y4 CANADA  
or call Service Tel. No. 1-888-335-6644



## Free Manuals Download Website

<http://myh66.com>

<http://usermanuals.us>

<http://www.somanuals.com>

<http://www.4manuals.cc>

<http://www.manual-lib.com>

<http://www.404manual.com>

<http://www.luxmanual.com>

<http://aubethermostatmanual.com>

Golf course search by state

<http://golfingnear.com>

Email search by domain

<http://emailbydomain.com>

Auto manuals search

<http://auto.somanuals.com>

TV manuals search

<http://tv.somanuals.com>