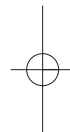
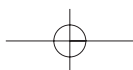
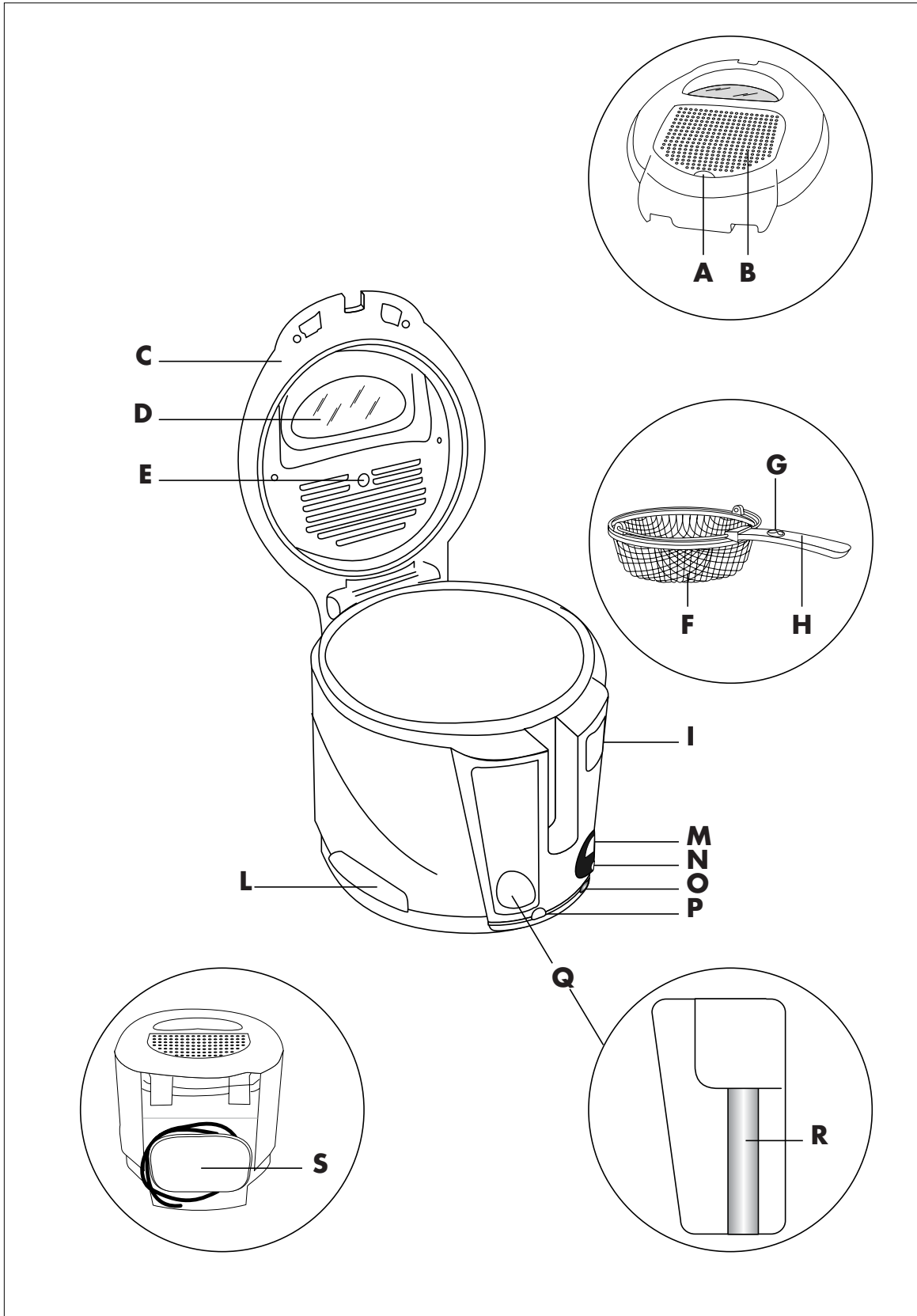


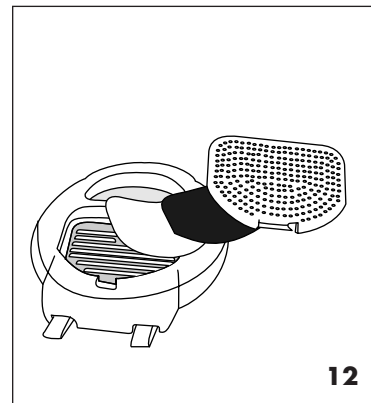
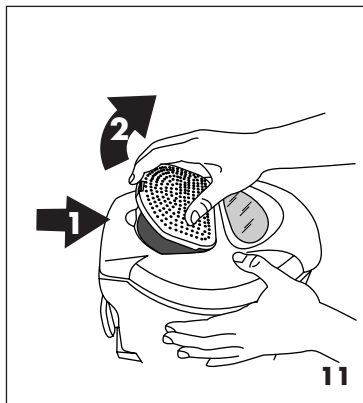
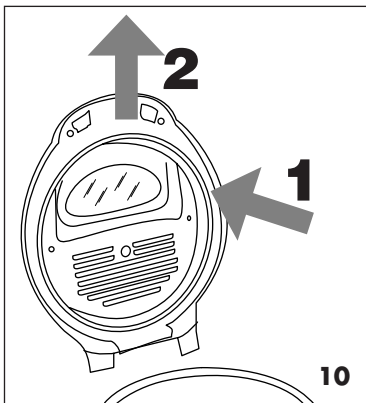
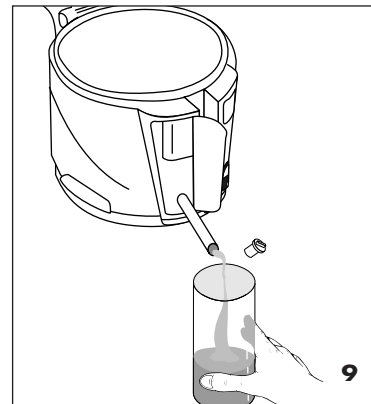
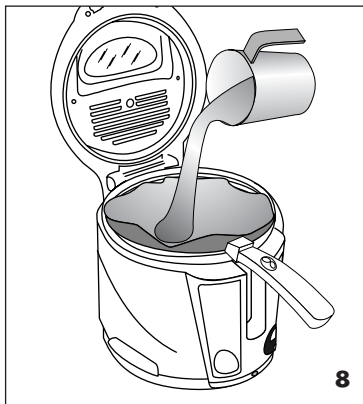
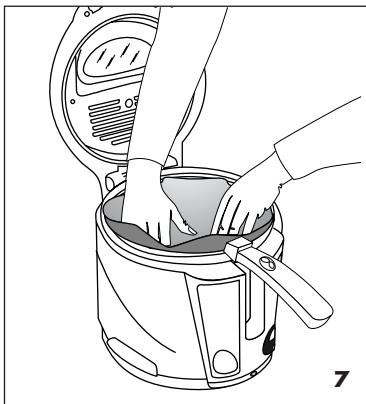
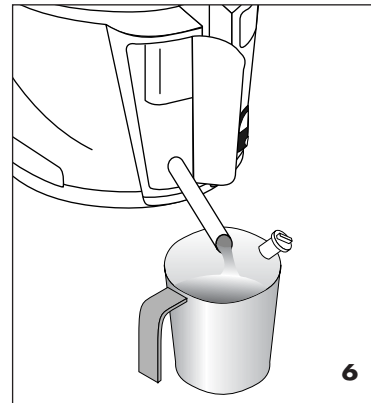
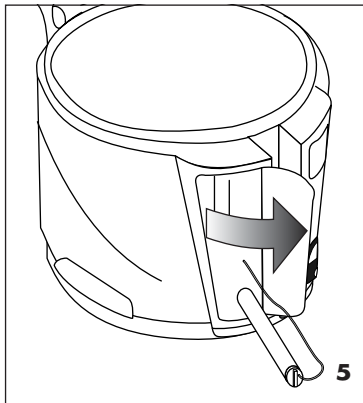
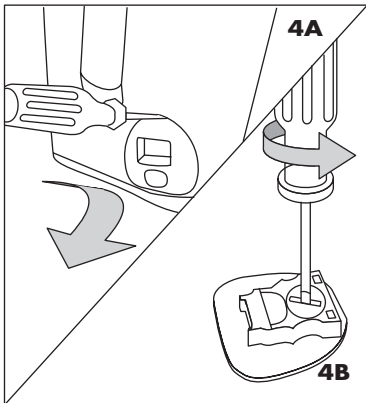
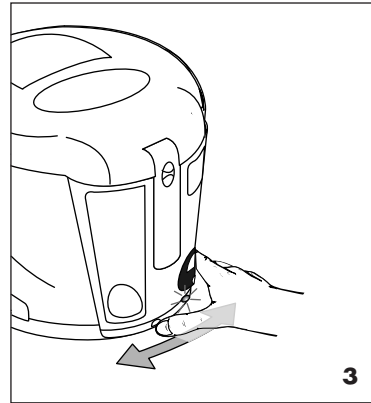
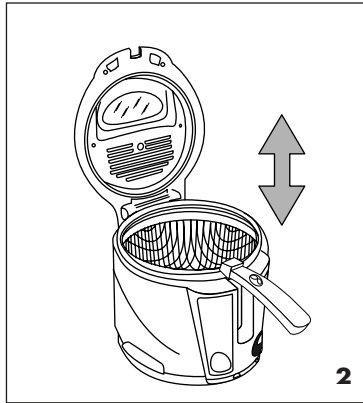
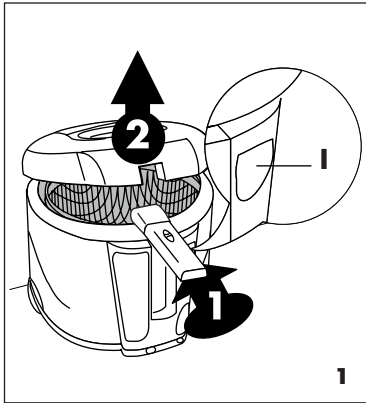
ELECTRIC DEEP FRYER
FRITEUSE ELECTRIQUE
FREIDORA ELECTRICA
FRITADEIRA ELECTRICA



Instructions for use
Mode d'emploi
Instrucciones para el uso
Instruções









IMPORTANT SAFEGUARDS

When using electrical appliances, basic safety precautions should always be followed, including the following:

1. Read all instructions.
2. Do not touch hot surfaces. Use handles and knobs.
3. To protect against electric shock do not immerse cord, plug and fryer in water or other liquid.
4. Close supervision is necessary when any appliance is used by or near children.
5. Unplug from outlet when not in use and before cleaning. Allow to cool before putting on or taking off parts, and before cleaning the appliance.
6. Do not operate any appliance with a damaged cord or plug or after the appliance malfunctions, or has been damaged in any manner. Return appliance to the nearest authorized service facility for examination, repair or adjustment.
7. The use of accessory attachments not recommended by the appliance manufacturer may cause injuries.
8. Do not use outdoors.
9. Do not let cord hang over edge of table or counter, or touch hot surfaces.
10. Do not place on or near a hot gas or electric burner or in a heated oven.
11. Extreme caution must be used when moving an appliance containing hot oil or other liquids.
12. Always attach plug to appliance first, then plug cord into the wall outlet. To disconnect, turn the thermostat to the "OFF" position, then remove plug from wall outlet.
13. Do not use appliance for other than intended use.
14. Be sure handle is properly assembled to basket and locked in place. See detailed assembly instructions.

SAVE THESE INSTRUCTIONS THIS PRODUCT IS FOR HOUSEHOLD USE ONLY

WARNING

- **Do not use the fryer without oil.** The fryer will be severely damaged if heated dry.
- This fryer has a thermal cut-out, thus preventing overheating.
- Plug cord into a 120 volt AC outlet.
- If your product is provided with a polarized alternating current plug (a plug having one blade wider than the other), this plug will fit into the power outlet only one way. This is a safety feature. If you are unable to insert the plug fully into the outlet, try reversing the plug. If the plug should still fail to fit, contact your electrician to replace your obsolete outlet. Do not defeat the safety purpose of the polarized plug.
- Before using the fryer for the first time, wash the aluminum pot, basket and lid (remove the filter) thoroughly with hot soapy water, carefully dry the aluminum pot to maintain its attractive finish.
- Should the fryer leak, contact your nearest Service Center or authorized Dealer for qualified assistance.
- To assure safe operation, oversized foods or utensils must not be inserted into the fryer.
- Children or infirm persons should not be allowed to use this product unsupervised.
- Children should not be allowed to play with this appliance.
- During use and when the oil is hot, the pipe compartment inspection door must always be closed.
- It is totally normal that, on first use, the appliance emits a "new appliance" smell. If this happens, aerate the room.
- To avoid injury or burns, do not touch any metal parts on the deep fryer because they may be hot!

DO NOT USE AN EXTENSION CORD

A short power supply cord is provided to reduce the risks resulting from being entangled in or tripping over a longer cord.

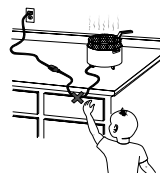
DESCRIPTION OF THE APPLIANCE (pag. 2)

- | | |
|--|--|
| A Filter cap fastening hook | L Handle for lifting appliance |
| B Anti-odour filter cap | M Minute timer (if supplied) |
| C Lid | N Minute timer key (if supplied) |
| D Inspection window (if provided) | O Pilot lamp |
| E Filter inspection opening | P Sliding thermostat control/OFF switch |
| F Basket | Q Drainage tube panel (if provided) |
| G Handle slider | R Drainage tube "easy clean system" (if provided) |
| H Basket handle | S Cord holder (if provided) |
| I Lid opening button | |

WARNING

SERIOUS HOT-OIL BURNS MAY RESULT FROM A DEEP FRYER BEING PULLED OFF A COUNTERTOP. DO NOT ALLOW THE CORD TO HANG OVER THE EDGE OF THE COUNTER WHERE IT MAY BE GRABBED BY CHILDREN OR BECOME ENTANGLED WITH THE USER. DO NOT USE EXTENSION CORD.

**DO NOT DRAPE
CORD!**



**KEEP FROM
CHILDREN!**

IF YOUR DEEP FRYER IS SUPPLIED WITH A CORD SET WITH MAGNETIC CONNECTOR:

First fit the magnetic connector to the appliance, as seen in Figure 13, making sure that the protruding part of the connector "X" is correctly inserted in the corresponding slot on the appliance, and then plug the cable into the power outlet.

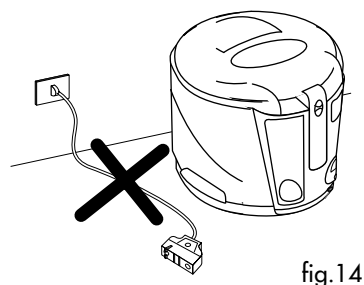
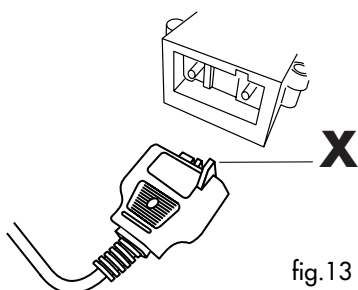
Warning

Never leave the appliance plugged into the power outlet if the magnetic connector is not fitted to the deep fryer, Figure 14.

If the magnetic connector does not remain in place, check that it has been inserted correctly, see Figure 13. If the problem persists, contact an authorised service centre.

When the appliance is powered, always leave some free space around the magnetic connector, so as to prevent it from becoming detached.

Only use a type TA-35PA cord set supplied by De'Longhi authorised service centres.



OPERATING INSTRUCTIONS

FILLING THE BOWL

- Raise the basket into its upper position by lifting upwards on the handle (Fig. 1).
- Push on the I button (Fig. 1) and open the lid.
- Remove the basket by pulling it up (Fig. 2).

The cover must ALWAYS be closed whenever the basket is raised or lowered.

- Pour 2 lt. of oil into the bowl (or approx. 1,8 kg./3,6 lb fat).

The level of oil in the bowl must always be between the minimum and maximum marks.

The maximum level mark should never be exceeded.

For best results use a good **peanut seed oil**. Olive oil is optimal due to its slower degradation, but prolonged use accentuates its flavour. Above all, avoid mixing different oils.

If using blocks of solid fat, cut into small pieces to avoid fryer heating dry in the first few minutes.

The temperature must be set to 150°C/300°F until the fat has melted completely. The required temperature can then be set.

Melt solid fat directly in pot. Only when completely melted, should the basket be lowered.

PRE-HEATING

1. Place the food to be fried in the basket. Do not overfill the basket (maximum 1 kg/2lb of fresh potatoes).
2. Replace the basket in the bowl in the raised position and close lid by lightly pushing down until catch snaps shut.
3. Set the sliding thermostat control (P) (fig. 3) to the desired temperature (see enclosed table). When the selected temperature is reached, the control light will switch off.

FRYING

1. **As soon as the pilot lamp switches off**, move the handle slider in the handle (G) backwards, then move the handle downwards to lower the basket into the oil.
 - **A considerable quantity of steam will escape from the filter cover, when the basket is lowered into the oil. This is perfectly normal.**
 - **It is also normal for drops of condensation to fall from the lid onto the plastic sides and around the basket handle while in use.**

- When basket is lowered into the oil, the inside of the inspection window (if provided) will immediately become steam up. This steam will disappear gradually as the food is cooked.

For models with viewing window, grease the glass door with a little oil before cooking to reduce the accumulation of condensate and thereby improve visibility.

- **Never move the appliance while the oil is still hot.**
- **To move the appliance, use the special lifting handles (L). (Never lift by the basket handle).**

IN THE MODELS FITTED WITH THE ELECTRONIC MINUTE TIMER

1. Set the cooking time by pressing key "N"; display "M" will show the minutes set.
2. The figures will begin flashing immediately afterwards, signifying that the cooking time has started. The last minute will be visualised in seconds.
3. In the event of error, the new cooking time can be set by keeping the button pressed down for more than 2 seconds. The display will reset itself, then repeat as for point 1 (above).
4. The minute timer will show the end of the cooking time with two series of beeps at an interval of about 20 seconds. In order to switch off the audible alarm you only need press minute timer key "N".

WARNING: the minute timer does not switch the appliance off.

Replacing the minute timer battery (fig.4)

- Remove the minute timer from its compartment by prying it from the upper side (see fig. 4A).
- Turn the battery cover (fig. 4B) placed on the back in an anticlockwise direction until it is released.
- Replace the battery with another of the same type.
- Remember to dispose of the battery in accordance with the laws currently in force regarding the disposal of toxic products.

END OF FRYING TIME

When the selected frying time is elapsed, raise the basket and check that food is golden brown as desired. This can be done without opening the lid in models with window.

When the food is completely cooked, switch the appliance off by setting the thermostat control to "Off"

until the switch is heard to click off. Leave the contents to drip for a moment and then open the lid and remove the basket without shaking it too vigorously.

For two-stage frying (e.g. potatoes), lift the basket at the end of the first stage, wait for the indicator light to go off and then lower the basket into the oil a second time (see enclosed table).

FILTERING OF OIL OR FAT

It is advisable to filter the oil or fat after frying in order to remove any food particles, especially if the food is coated in breadcrumbs or flour. Food particles remaining in the oil tend to burn, which causes the oil to deteriorate more quickly.

FOR MODELS FITTED WITH A DRAINAGE TUBE

Proceed as follows:

1. Raise the lid of the fryer and remove the basket. **Check that the oil is sufficiently cool** (about 2 hours).
2. Open the panel (Q) and remove the drainage tube (R) as shown in fig. 5.
3. Remove the cap (fig. 6). Take care to pinch the end of the tube with two fingers so that the oil does not drain until the tube has been placed in a receptacle.
4. Drain the oil into a suitable receptacle (fig. 6)
5. Use a sponge or a paper kitchen towel to remove any deposits from the bowl.
6. Replace the drainage tube in its compartment. **Do not forget to replace the cap.**
7. Place the filter supplied with the appliance in the bottom of the basket (fig. 7). Spare filters can be obtained from your dealer or from our service centres.
8. Pour the oil very slowly into the basket, ensuring that it does not overflow from the filter (fig. 8).

Note: After filtering the oil, it can be left in the fryer. However, should a long period of time pass between one frying and the next, it is advisable to store the oil in a closed container, not exposed to direct light in order to avoid its deterioration.

To drain the oil into the receptacle, remove the drainage tube and proceed as shown in fig. 9.

Oil used for frying fish should be stored separately from oil used for other foods.

If fat is used for frying, this should not be allowed to cool too much, otherwise it may solidify.

CHANGING THE ANTI-ODOUR FILTERS

With time the odour-eater filters placed inside the lid lose their effectiveness. A change of colour in the filter, visible through hole (E) on the inside cover, shows that the filter needs to be changed. To replace it, remove plastic filter cover (fig. 11) by pressing hook in the direction of arrow 1, then raise it in the direction of arrow 2. Replace the filters.

Note: The white filter must be inserted first with the black filter on top. The filter cover must be placed over the black filter (fig. 12).

CLEANING

Before cleaning, always **remove the plug from the electrical socket.**

• **Never immerse the deep fryer in water or hold it under the tap. By getting inside the water would cause short circuiting.**

Do not immerse the lid in water without having first removed the filters.

To clean the boiler pan, proceed as follows:

- **Check that the oil is sufficiently cold (wait about 2 hours),** then empty out the oil or fat as previously described in the paragraph headed "filtering the oil or fat".
- Remove any deposit from the bottom of the bowl using a sponge or a paper towel.
- Wash the tank with hot water and washing up liquid, then rinse.
- We advise regular cleaning of the basket, with care being taken to eliminate any deposits.
- The basket can be washed in a dishwasher.
- After frying, wipe the outside of the fryer with a soft damp cloth in order to remove any oil smears and condensation.
- Remove the lid by pushing it gently backwards (see arrow "1" fig. 10) and pulling upwards (see arrow "2" fig. 10).
- After washing, dry thoroughly. Remove any water left in the bottom of the container and, in particular, inside the oil drainage pipe. This avoids dangerous spurts of hot oil during use.

MODEL WITH NON-STICK BOILER PAN

To clean the boiler pan use a soft cloth with a neutral detergent never using objects or abrasive detergents.

COOKING HINTS

HOW LONG THE OIL OR FAT LASTS

When oil goes below minimum level mark, add new oil. It is advisable to remove the oil from time to time in order to preserve not only the quality of its flavour, but also the digestibility of the fried food.

The number of times the oil can be used depends on the type of food you fry. For example, the oil must be changed more often if food coated in breadcrumbs is fried frequently.

We advise that the oil be completely changed every 5/8 times or it should be completely changed in the following circumstances:

- unpleasant odour
- smoke when frying
- becomes dark in colour.

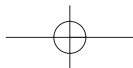
FOR PERFECT FRYING

- **The food to be fried should not be lowered into the oil until the the pilot lamp switches off.**
- Do not overfill the basket. Too much food in the basket lowers the temperature of the oil suddenly, with the result that the food will be greasy and unevenly-fried.
- When frying small quantities of food, the temperature of the oil must be set lower than the temperature indicated to avoid the oil boiling too violently.
- Check that the food is sliced thinly and evenly. Thick slices will not be fried throughout, although they will look very attractive on the outside. If the food is evenly sliced, each slice will be perfectly fried at the same time.
- **Be sure to dry the food carefully before frying.** Damp foods - especially potatoes - remains soggy after frying. Foods with a high water content (e.g. fish, meat and vegetables) should be dipped in breadcrumbs or flour. Remember to shake off any excess flour or breadcrumbs before frying.

FRYING NON-FROZEN FOOD

Bear in mind that the cooking times and temperatures are approximate and must regulated according to the amount of food which is to be fried and to personale taste.

Type of food		Max. Quantity	Temperature (°C) (°F)		Time in Minutes
Fried potatoes	half portion	1.1 lb / 500 gr	190	370	phase 1 5 - 6 phase 2 2 - 3
	whole portion	2.2 lb / 1000 gr	190	370	phase 1 7 - 9 phase 2 6 - 8
Fish	Squid	1.1 lb / 500 gr	160	320	12 - 13
	"Canestrelli"	1.1 lb / 500 gr	160	320	12 - 13
	Scampi	1.1 lb / 500 gr	160	320	10 - 11
	Sardines	1.1 lb / 500 gr	170	340	12 - 13
	Baby cuttlefish	1.1 lb / 500 gr	170	340	12 - 13
	Soles (1)	0.9 lb / 400 gr	160	320	8 - 9
Meat	Beef cutlets (1)	0.7 lb / 300 gr	170	340	8 - 9
	Chicken cutlets (1)	0.7 lb / 300 gr	170	340	7 - 8
	Meatballs (13)	1.2 lb / 550 gr	160	340	7 - 8
Vegetables	Artichokes	0.6 lb / 250 gr	150	300	11 - 12
	Cauliflower	0.9 lb / 400 gr	160	320	9 - 10
	Mushrooms	0.9 lb / 400 gr	150	300	9 - 10
	Aubergines (4 slices)	0.2 lb / 100 gr	170	340	7 - 8
	Courgettes	0.7 lb / 300 gr	160	320	11 - 12



FRYING FROZEN FOODS

1. Due to their extremely low temperature, frozen foods inevitably lower the temperature of the oil. For good results each time you fry, we recommend you don't exceed the maximum quantities set out in the following table.
2. **Frozen foods are frequently covered with a coating of ice crystals, which should be removed before frying.** Lower the basket very slowly into the oil in order to ensure that the oil does not boil over. **Before lowering the basket into the oil, ensure that the lid is securely closed.**
3. To obtain best results, do not exceed recommended max. quantity of food.

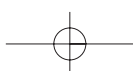
The cooking time shown in this table are approximate, and may vary according to the initial temperature of the food and to the cooking temperature recommended on the packet.

Food	Max. quantity	Temperature		Time (minutes)	
		(°C)	(°F)		
Pre-cooked frozen potatoes	0.7 lb / 300 gr (*)	190	370	phase 1 5 - 6 phase 2 2 - 3	
Potato croquettes	1.1 lb / 500 gr	190	370	7 - 8	
Fish	Fish-fingers	0.7 lb / 300 gr	190	370	6 - 7
	Prawns	0.7 lb / 300 gr	190	370	6 - 7
Meat	Chicken cutlets (2)	0.4 lb / 200 gr	190	370	7 - 8

(*) This is the recommended quantity for excellent results. Naturally a larger quantity of frozen potatoes can be fried, taking into consideration that they will be a little more greasy due to the sudden drop in the temperature of the oil, upon immersion.

TROUBLESHOOTING

Anomaly	Cause	Solution
Unpleasant odours	Anti-odour filter saturated The oil or fat has deteriorated The oil or fat is not suitable	Change the filter Change the oil (or fat) Use a good-quality peanut oil
The oil overflows	The basket has been lowered too quickly into the oil Too much oil in the fryer Food not dried sufficiently before immersing in the oil Recommended max. quantity exceeded	Lower the basket slowly Reduce quantity of oil in the fryer Dry the food thoroughly 2.2 lb / 1 kg (fresh potatoes)
Oil does not heat	Fryer has been previously switched on without oil in pot causing the thermal cut-out failure. The magnetic convector is not correctly inserted	Contact Service Centre (fuse change necessary) Insert the connector with the jut "X" on the top side Contact the Service Centre



The De'Longhi logo is enclosed in a stylized oval border with a decorative, repeating pattern of small circles.

Limited Warranty

What Does This Warranty Cover? We warrant each appliance to be free from defects in material and workmanship. Our obligation under this warranty is limited to replacement or repair, free of charge at our factory or authorized service centers, of any defective part or parts thereof other than parts damaged in transit, which shall be returned to us, transportation prepaid. This warranty shall apply only if the appliance is used in accordance with the factory directions which accompany it, and on an Alternating Current (AC) circuit.

How Long Does The Coverage Last? This warranty runs for one year from the date of delivery and applies only to the original purchaser.

What Does This Warranty Not Cover? This warranty does not cover defects or damage of the appliance which result from repairs or alterations to the machine outside our factory or authorized service centers, nor shall it apply to any appliance which has been subject to abuse, misuse, negligence or accidents. Also, consequential and incidental damages resulting from the use of this product or arising out of any breach of contract or breach of this warranty are not recoverable under this warranty. Some states do not allow the exclusion or limitation of incidental or consequential damages, so the above limitation may not apply to you.

How Do You Get Service? If repairs become necessary or spare parts are needed, please write to:

De'Longhi America Inc.

Park 80 West Plaza One, 4th floor
Saddle Brook N.J. 07663
or call Service Tel. No. 1-800-322-3848
www.delonghiusa.com

De' Longhi CANADA

1040 Ronsa Court
MISSISSAUGA, ONTARIO
L4W 3Y4 CANADA

The above warranty is in lieu of all other express warranties and representations; All implied warranties are limited to the applicable warranty period set forth above. This limitation does apply if you enter into an extended warranty with De'Longhi. Some states do not allow limitations on how long an implied warranty lasts, so the above exclusions connection with the sale or use of its appliance.

How Does State Law Apply? This warranty gives you specific legal rights, and you may also have other rights which vary from state to state.



PRECAUTIONS IMPORTANTES

Il est toujours de mise de prendre certaines précautions lorsqu'on utilise un appareil électrique. La friteuse ne fait pas exception à la règle:

1. Lisez toutes les instructions.
2. Ne pas touchez les surfaces chaudes; utilisez les poignées ou les boutons de réglage.
3. Afin d'éviter les risques d'électrocution, ne pas immergez le cordon, la fiche ou l'appareil dans l'eau ou dans tout autre liquide.
4. Si l'appareil est utilisé par des enfants, ou en présence d'enfants, une surveillance étroite est de rigueur.
5. Débranchez l'appareil avant de le nettoyer ou lorsque vous ne l'utilisez pas. Le laissez refroidir avant d'installer ou d'enlever des pièces et avant de le nettoyer.
6. Ne pas utilisez l'appareil si le cordon ou la fiche est endommagé, s'il est défectueux, ou s'il a subi quelque dommage que se soit. Dans un tel cas, expédiez l'appareil à un centre de service après-vente autorisé pour examen, réparation ou réglage.
7. L'utilisation d'accessoires non recommandés par le fabricant peut causer des blessures.
8. Ne pas utilisez l'appareil à l'extérieur.
9. Ne pas laissez le cordon pendre d'une table ou d'un comptoir ou entrer en contact avec une surface chaude.
10. Ne pas placez l'appareil sur ou près d'un brûleur, d'une cuisinière au gaz ou électrique ou dans un four chaud.
11. Soyez extrêmement prudent si vous le transportez alors qu'il contient de l'huile chaude ou un autre liquide chaud.
12. Toujours branchez le cordon à l'appareil pour premier, et ensuite dans la prise murale. Pour débrancher, mettre toutes les commandes sur la position "OFF" et retirer la fiche de la prise murale.
13. N'utilisez cet appareil que pour l'emploi auquel il est destiné.
14. Assurez-Vous que la poignée soit solidement fixée au panier et engagée à l'endroit prévu.

CONSERVEZ LES PRESENTES INSTRUCTIONS PRODUIT À USAGE DOMESTIQUE UNIQUEMENT

ATTENTION

- **Ne pas oubliez de remplir la friteuse d'huile avant son fonctionnement.** Un fonctionnement à sec de l'appareil entraîne sa destruction.
- Cette friteuse est équipée d'un dispositif de sécurité thermique. En cas de panne du thermostat, le circuit électrique s'interrompt de façon automatique. Cela évite tout risque de surchauffage.
- Branchez le cordon dans une prise de courant alternatif 120 volts.
- Si votre produit est muni d'une fiche polarisée de courant alternatif (à savoir une fiche ayant une dent plus large que l'autre), cette fiche ne peut être enfoncée dans la prise que dans une seule position. Il s'agit d'une mesure de sécurité. Si vous ne pouvez pas enfoncer complètement la fiche dans la prise, essayer de la tourner. Si malgré tout vous ne pouvez pas encore la brancher, demandez à un électricien de remplacer la prise obsolète. Ne pas annuler la sécurité de la fiche polarisée.
- Avant d'utiliser la friteuse pour la première fois, lavez soigneusement le bac en aluminium, le panier et le couvercle à l'eau chaude en ajoutant un peu de produit à vaisselle, après sécher soigneusement pour maintenir inaltérée l'esthétique du bac en aluminium.
- Dans le cas de fuites d'huile de la friteuse, s'adressez au centre après-vente ou à un distributeur agréé par le fabricant.
- Pour des raisons de sécurité, il ne faut pas introduire dans la friteuse des aliments ou des ustensiles trop grands.
- Il est préférable de ne pas laisser les enfants, ni les personnes incapables, utiliser cet appareil sans surveillance.
- Ne laissez pas les enfants jouer avec l'appareil.
- Pendant le fonctionnement et quand l'huile est chaude, le logement du tuyau doit toujours être fermé.
- A la première utilisation l'appareil dégage une odeur de neuf qui est tout à fait normale. Aérer la pièce.
- Afin d'éviter des brûlures, ne pas toucher les parties métalliques de la friteuse car elles peuvent être chaudes.

NE PAS UTILISEZ LA FRITEUYSE EN AJOUTANT UN CORDON PROLONGATEUR

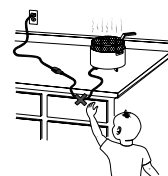
Nous livrons un cordon d'alimentation court pour réduire les risques d'enchevêtrement et la possibilité de trébucher sur un cordon plus long.

DESCRIPTION DE L'APPAREIL (Voir schéma sur le volet)

- | | |
|---|---|
| <p>A Crochet du couvercle filtre</p> <p>B Anti-odour filter cap</p> <p>C Couvercle</p> <p>D Hublot (si prévu)</p> <p>E Orifice pour contrôle filtre</p> <p>F Panier</p> <p>G Curseur poignée</p> <p>H Poignée panier</p> <p>I Poussoir pour ouverture couvercle</p> <p>L Emplacement mains pour soulever l'appareil</p> | <p>M Afficheur minuteur (seulement sur certains modèles)</p> <p>N Touche minuteur (seulement sur certains modèles)</p> <p>O Voyant lumineux</p> <p>P Curseur thermostat et arrêt</p> <p>Q Volet pour logement tuyau d'évacuation (si prévu)</p> <p>R Tuyau d'évacuation "Easy Clean System" (si prévu)</p> <p>S Rangement câble (si prévu)</p> |
|---|---|

IMPORTANT

DE SERIEUSES BRULURES PEUVENT ETRE CAUSEES PAR L'HUILE CHAUDE DE LA FRITEUSE. POUR CETTE RAISON, ASSUREZ-VOUS DE NE PAS LAISSER LE CORDON TRAINER SUR LA SURFACE DU TRAVAIL, OU DE LE LAISSER PENDRE A UN ENDROIT OU QUELQU'UN POURRAIT L'ACCROCHER OU TREBUCHER DESSUS PAR ACCIDENT.



**NE PAS LAISSER
A LA PORTEE
DES ENFANTS**

SI VOTRE FRITEUSE EST MUNIE D'UN CORDON D'ALIMENTATION AVEC CONNECTEUR MAGNETIQUE:

Brancher d'abord le connecteur magnétique sur l'appareil, voir figure 13, en faisant attention à ce que la partie saillante du connecteur "X" entre correctement dans le logement prévu à cet effet sur l'appareil, puis brancher la fiche sur la prise de courant.

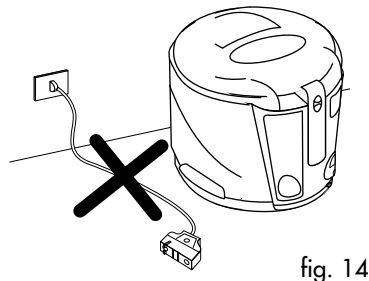
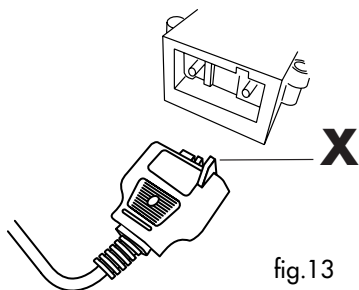
Attention

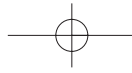
Ne jamais laisser la fiche branchée sur la prise de courant si le connecteur magnétique n'est pas branché sur la friteuse, figure 14.

Si le connecteur magnétique ne reste pas en place, vérifier qu'il est bien enfoncé, voir figure 13. Si le connecteur ne tient toujours pas contacter un réparateur agréé.

Quand l'appareil est branché laisser toujours un espace libre près du connecteur magnétique, pour éviter qu'il puisse se détacher.

Utiliser seulement un cordon d'alimentation de type TA-35PA fourni dans les SAV agréés.





MODE D'EMPLOI

REPLISSAGE DE L'HUILE OU DE LA GRAISSE

- Soulever le panier dans la position la plus élevée en tirant vers le haut la poignée prévue à cet effet (Fig. 1).
- Appuyer sur le bouton I (Fig. 1) et ouvrir le couvercle.
- Enlever le panier en le tirant vers le haut (Fig. 2).
Le panier peut être soulevé ou abaissé UNIQUEMENT quand le couvercle est fermé.
- Verser 2 litres (1,8 qt.) d'huile dans le récipient (ou 1,8 kilos./3,6 de matière grasse).

Le niveau doit toujours se situer entre les deux repères maximum et minimum. Ne jamais dépasser le repère max.

On obtient les meilleurs résultats en utilisant une bonne huile d'arachide. Grâce à sa dégradation très progressive l'huile d'olive est l'huile idéale, de plus son utilisation prolongée en accentue le saveur. Eviter surtout de mélanger des huiles de nature différente.

Dans le cas d'utilisation de graisse solide, couper en petits morceaux afin que la friteuse ne fonctionne pas à sec pendant les premières minutes. La température doit être de 150 °C/300°F tant que toute la graisse ne s'est pas liquéfiée. Après quoi, elle pourra être réglée sur la valeur souhaitée.

Laisser dissoudre la graisse directement dans le bac. Immerger le panier uniquement lorsque la graisse a complètement fondu.

PRÉCHAUFFAGE

1. Disposer les aliments dans le panier, en ayant soin de ne jamais le remplir de façon excessive (1 kg/2lb max. de pommes de terre fraîches).
2. Introduire le panier dans le bac dans la position soulevée et fermer le couvercle en exerçant une légère pression sur celui-ci jusqu'à ce que l'on obtienne le dé clic des crochets.
3. Placer le curseur (P) (fig. 3) sur la température désirée (voir tableau). Le voyant s'éteint lorsqu'on a atteint la température programmée.

DEBUT DE CUISSON

- Dès que le témoin lumineux s'éteint, plonger le panier dans l'huile en abaissant lentement la poignée, après avoir fait coulisser le curseur (G) de la poignée vers l'arrière
 - Il est tout à fait normal que, tout de suite après cette opération, se dégage du couvre-filtre une grande quantité de vapeur très chaude.
 - Il est normal aussi que pendant le fonctionnement quelques gouttes de condensation débordent

du couvercle le long des parois métalliques ou en plastique de l'appareil.

- Au début de la cuisson, dès que l'on aura plongé les aliments dans l'huile, la paroi interne du hublot (si prévu) se recouvrira de vapeur. Celle-ci disparaîtra progressivement.
Pour les modèles équipés du hublot, si l'on enduit le hublot avec de l'huile, avant la cuisson, la buée ne se dépose pas et la visibilité est meilleure.
- Ne pas déplacer l'appareil quand l'huile est encore chaude.
- Pour déplacer l'appareil, saisissez-le par les poignées (L), jamais par la poignée du panier !

POUR LES MODELES EQUIPES D'UN MINUTEUR ELECTRONIQUE

- 1 Régler le temps de cuisson en appuyant sur la touche "N", l'afficheur "M" visualisera les minutes fixées.
- 2 Tout de suite après cette opération, les chiffres commenceront à clignoter signalant que le temps de cuisson a commencé. La dernière minute sera visualisée en secondes.
- 3 En cas d'erreur, il est possible de régler un nouveau temps de cuisson en maintenant pressé la touche pendant plus de 2 secondes pour remettre à zéro l'afficheur. Renouveler ensuite les opérations à partir du point 1.
- 4 Le minuteur signalera la fin du temps de cuisson par deux séries de bips avec un intervalle d'environ 20 secondes. Pour interrompre le signal sonore, il suffit d'appuyer sur la touche "N" du minuteur.

ATTENTION: le minuteur n'éteint pas la friteuse.

Remplacement de la batterie du minuteur (fig. 4)

- Extraire le minuteur de son logement en faisant levier sur la partie supérieure (voir fig. 4 A).
- Tourner dans le sens inverse à celui des aiguilles d'une montre le couvercle de la batterie (fig. 4 B) situé à l'arrière de manière à le dégager.
- Remplacer la batterie par une batterie du même type.
- N'oubliez pas de jeter la batterie en respectant les dispositions des lois en vigueur concernant l'élimination des produits toxiques.

FIN DE LA CUISSON

A la fin du temps programmé remonter le panier et vérifier si les aliments sont bien dorés. Pour les modèles équipés de hublot, cette vérification peut s'effectuer visuellement, à travers le hublot, sans qu'il soit nécessaire d'ouvrir le couvercle. Lorsque



vous estimez que la cuisson est terminée, éteindre l'appareil en ramenant le curseur du thermostat sur la pos. "Off" jusqu'à ce que l'on entende le dé clic de l'interrupteur. Laisser égoutter l'huile pendant quelques instants.

Si la cuisson est prévue en deux temps (ex. pommes de terre), remonter le panier quand le premier bain est fini, attendre que le voyant s'éteigne puis plonger le panier dans l'huile pour le deuxième bain (voir tableaux joints).

FILTRAGE DE L'HUILE OU DE LA GRAISSE

Il est conseillé d'effectuer cette opération après chaque cuisson, car les particules des aliments (surtout s'il s'agit d'aliments panés ou farinés) qui restent dans le liquide, ont tendance à brûler et donc à altérer plus rapidement l'huile ou la matière grasse.

MODÈLES DOTÉS DE TUYAU:

Procéder de la façon suivante:

1. Ouvrir le couvercle de la friteuse et enlever le panier. **Vérifier que l'huile soit suffisamment froide** (environ 2 heures).
2. Ouvrir le volet (Q) de la façon indiquée dans la fig. 5. et extraire le tuyau d'évacuation (R).
3. Enlever le bouchon (fig. 6) et, en même temps, serrer le tuyau avec deux doigts pour empêcher l'écoulement de l'huile ou de la matière grasse tant que celui-ci n'est pas dirigé dans un récipient.
4. Faire couler l'huile ou la matière grasse dans un récipient. (fig. 6).
5. Enlever les éventuels dépôts à l'intérieur du bac en utilisant une éponge ou du papier absorbant.
6. Ramener le tuyau d'évacuation à sa place **après avoir remis le bouchon**.
7. Remettre le panier en position haute et placer sur le fond du panier le filtre fourni avec l'appareil (fig. 7). Les filtres sont disponibles chez votre revendeur ou auprès de l'un de nos centres de service après-vente.
8. Verser à nouveau l'huile ou la matière grasse dans la friteuse, en procédant très lentement, afin qu'elle ne déborde pas du filtre (fig. 8). Les filtres sont disponibles chez votre revendeur ou auprès de notre service après-vente.

N.B: L'huile ainsi filtrée peut être conservée à l'intérieur de la friteuse. Toutefois, si une longue période de temps s'écoule entre une cuisson et l'autre, il est conseillé de conserver l'huile dans un récipient fermé afin d'éviter sa détérioration (fig. 9). Il est préférable de conserver séparément l'huile utilisée pour frire le poisson et l'huile utilisée pour frire d'autres aliments.

- **Dans le cas d'utilisation de graisse, ne pas la laisser trop refroidir sinon elle se solidifiera.**

REMPACEMENT DU FILTRE ANTI-ODEURS

Les filtres anti-odeur qui se trouvent à l'intérieur du couvercle perdent leur efficacité après un certain temps. Le

changement de couleur du filtre, visible à travers l'orifice E du contre-couvercle, indique que le filtre doit être remplacé. Pour son remplacement, retirer le cache-filtre en plastique (fig. 11) en appuyant sur le cran dans le sens de la flèche 1, puis soulever dans le sens de la flèche 2. Remplacer les filtres.

N.B. Insérer en premier lieu le filtre blanc et au-dessus le filtre noir. Positionner ensuite le couvre-filtre au-dessus du filtre noir (fig. 12).

NETTOYAGE

Avant d'effectuer tout travail de nettoyage, **débrancher toujours la fiche de la prise de courant.**

- **Ne jamais immerger la friteuse dans l'eau et ne jamais la laver sous un jet de robinet. Une infiltration d'eau pourrait entraîner des électrocutions**

Ne pas immerger le couvercle dans l'eau sans avoir au préalable enlevé les filtres.

Procédure de nettoyage du bac :

- **Après avoir laissé refroidir l'huile pendant 2 heures environ**, vider le liquide de friture en suivant les instructions données dans le paragraphe "Filtrage de l'huile ou de la graisse"
- Enlever le dépôt à l'intérieur du bac en utilisant une éponge ou du papier absorbant.
- Nettoyer la cuve avec de l'eau chaude et du produit à vaisselle liquide, puis rincer.
- Il est recommandé de nettoyer régulièrement le panier, en ayant soin d'éliminer tous les dépôts éventuels.
- On peut entièrement introduire le panier dans le lave-vaisselle pour le nettoyer.
- Après chaque cuisson, essuyer le revêtement extérieur de la friteuse à l'aide d'un chiffon doux et humide pour éliminer les projections et les éventuelles traces d'huile ou de vapeur.
- Le couvercle est amovible, pour l'enlever procéder de la manière suivante: le pousser vers l'arrière (voir flèche "1", fig.10) et le tirer en même temps vers le haut (voir la flèche "2", fig.10).
- L'opération étant terminée, essuyer le tout soigneusement et éliminer l'eau résiduelle dans le fond de la cuve et surtout dans le tuyau de vidange. Ce, pour éviter le risque de giclées d'huile chaude pendant le fonctionnement.

MODELE AVEC CUVE ANTIADHESIVE

Pour le nettoyage de la cuve, ne jamais utiliser d'objets ou de produits détergents abrasifs, mais uniquement un chiffon doux avec un détergent neutre.

CONSEILS POUR LA CUISSON

DUREE DE L'HUILE OU DE LA GRAISSE

L'huile ou la graisse ne doivent jamais descendre au dessous du niveau minimum. Il est conseillé de remplacer périodiquement la totalité de l'huile afin de conserver la saveur des aliments. La durée du liquide de cuisson dépend de la nature des aliments. Par exemple, la chapelure des aliments panés laisse dans l'huile plus de particules qu'une simple friture. Nous conseillons de remplacer l'huile toutes les 5-8 utilisations de la friteuse et de toute façon lorsque:

- elle commence à avoir une mauvaise odeur
- elle fume au cours de la cuisson
- elle devient sombre.

POUR UNE CUISSON CORRECTE

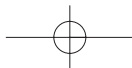
- **Les aliments à frire ne doivent être plongés dans l'huile que lorsque celle-ci a atteint la bonne température, c'est-à-dire lorsque le voyant lumineux s'éteint.**

- Ne pas remplir excessivement le panier. Cela entraînerait une baisse immédiate de la température de l'huile et donc une cuisson trop grasse et non uniforme.
- Pour éviter les gros bouillonnements dans le cas de petites quantités de friture, la température de l'huile devra être plus basse que celle indiquée.
- Vérifier que les aliments soient minces et qu'ils aient la même épaisseur. Si l'épaisseur des aliments est excessive, l'intérieur de l'aliment cuit mal malgré un bel aspect extérieur. Les aliments de même épaisseur atteignent en même temps le degré de cuisson désiré.
- **Essuyer les aliments correctement avant de les plonger dans l'huile ou dans la matière grasse.** S'ils sont humides, les aliments restent mous après la cuisson (surtout les pommes de terre). Il est conseillé de paner ou de fariner les aliments très riches en eau (poisson, viandes, légumes), en ayant soin d'éliminer l'excédent de chapelure ou de farine avant de les plonger dans l'huile.

CUISSON DES ALIMENTS NON SURGELES

Consulter le tableau suivant en tenant compte que les temps et les températures de cuisson sont fournis à titre indicatif et qu'ils doivent être modifiés en fonction de la quantité et du goût personnel.

Aliments	Quantité max.	Température		Temps (minutes)	
		(°C)	(°F)		
Frites	Demi-portion	1.1 lb / 500 gr	190	370	1 ^o phase 5 - 6 2 ^o phase 2 - 3
	Portion entière	2.2 lb / 1000 gr	190	370	1 ^o phase 7 - 9 2 ^o phase 6 - 8
Poisson	Calmars	1.1 lb / 500 gr	160	320	12 - 13
	Pétoncles	1.1 lb / 500 gr	160	320	12 - 13
	Langoustines	1.1 lb / 500 gr	160	320	10 - 11
	Sardines	1.1 lb / 500 gr	170	340	12 - 13
	Seiches	1.1 lb / 500 gr	170	340	12 - 13
	Soles (1)	0.9 lb / 400 gr	160	320	8 - 9
Viande	Tranches de boeuf (1)	0.7 lb / 300 gr	170	340	8 - 9
	Blancs de poulet (1)	0.7 lb / 300 gr	170	340	7 - 8
	Boulettes (6)	1.2 lb / 550 gr	160	340	7 - 8
Legumes	Artichauts	0.6 lb / 250 gr	150	300	11 - 12
	Chou-fleur	0.9 lb / 400 gr	160	320	9 - 10
	Champignons	0.9 lb / 400 gr	150	300	9 - 10
	Aubergines (4 slices)	0.2 lb / 100 gr	170	340	7 - 8
	Courgettes	0.7 lb / 300 gr	160	320	11 - 12



CUISSON DES ALIMENTS SURGELES

1. Les produits surgelés ont des températures très basses. Aussi, ils provoquent inévitablement une baisse sensible de la température de l'huile ou de la matière grasse de cuisson. Pour obtenir un bon résultat, nous vous conseillons de ne pas dépasser les quantités maximum d'aliments indiquées pour chaque cuisson dans le tableau ci-après.
2. **Les aliments surgelés sont souvent recouverts de nombreux cristaux de glace qu'il convient d'éliminer avant la cuisson.** Plonger ensuite le panier dans l'huile très lentement, afin d'éviter le bouillonnement de l'huile.
Avant de plonger le panier dans l'huile, vérifier si le couvercle est fermé correctement.

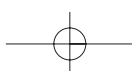
Les temps de cuisson sont donnés ci-dessous également à titre indicatif et ils peuvent varier en fonction de la quantité et du goût personnel.

Aliment	Quantité max.	Température		Temps (minutes)
		(°C)	(°F)	
Pommes de terre precuites	0.7 lb / 300 gr (*)	190	370	1 st phase 5 - 6 2 nd phase 2 - 3
Croquettes de pommes de terre	1.1 lb / 500 gr	190	370	7 - 8
Poisson				
Sticks de merlan	0.7 lb / 300 gr	190	370	6 - 7
Crevettes	0.7 lb / 300 gr	190	370	6 - 7
Viande				
Blancs de poulet	0.4 lb / 200 gr	190	370	7 - 8

(*) Il s'agit de la quantité conseillée pour obtenir une excellente friture. Naturellement, il est possible de cuire une plus grande quantité de frites surgelées en tenant compte cependant du fait qu'elles seront dans ce cas un peu plus grasses à cause de la baisse rapide de la température de l'huile au moment de l'immersion du panier.

ANOMALIES DE FONCTIONNEMENT

Anomalie	Cause	Solution
Dégagement de mauvaises odeurs	Le filtre anti-odeurs est colmaté L'huile est trop vieille Le corps gras de cuisson n'est pas approprié	Remplacer le filtre Remplacer l'huile ou la graisse Utiliser une bonne huile d'arachide
L'huile déborde	Immersion trop rapide du panier Le niveau de l'huile dans la friteuse dépasse la limite max. Vous avez plongé dans l'huile chaude des aliments insuffisamment séchés Vous avez dépassé la quantité maxi. recommandée	Plonger très lentement Diminuer la quantité d'huile à l'intérieur du bac Sécher correctement les aliments 2.2 lb / 1 kg (pommes de terre fraîches) ou 0.7 lb / 300 gr (pommes de terre congelées)
L'huile ne chauffe pas	La friteuse a été précédemment utilisée sans huile dans le bac, ce qui a endommagé le dispositif de sécurité thermique Le connecteur magnétique n'est pas correctement insérée.	S'adresser au service après-vente (le fusible doit être remplacé) Connecter le connecteur avec la silie "X" sur la partie haute. S'adresser au Centre d'assistance





GARANTIE

Nous garantissons que tous les APPAREILS ELECTRIQUES DE' LONGHI sont exempts de tout défaut de matériaux et de manufacture. Notre obligation sous cette garantie est limitée au remplacement ou à la réparation gratuite dans notre usine de toutes les pièces défectueuses autre que les pièces endommagées durant le transport, qui nous seront retournées - transport pré-payé - en dedans d'un an après la livraison à l'acheteur - utilisateur. Cette garantie ne sera applicable que si l'appareil a été utilisé selon les instructions du fabricant qui accompagnent l'appareil, et sur courant alternatif (AC). Cette garantie remplace toutes les autres garanties et représentations, exprimées ou impliquées, et toute autre obligation ou responsabilité de notre part. Nous n'autorisons aucune autre personne ou compagnie à assumer pour nous une quelconque responsabilité en relation avec la vente ou l'utilisation de nos appareils.

Cette garantie ne s'appliquera ni aux appareils qui seront réparés ou endommagés hors de notre usine, ni aux appareils qui auront été sujets à une mauvaise utilisation, à une négligence ou à un accident.

Si des réparations ou des pièces de rechange sont nécessaires, vous êtes priés d'écrire à:

De' Longhi CANADA
1040 Ronsa Court
MISSISSAUGA, ONTARIO
L4W 3Y4 CANADA



WARRANTY

All DE' LONGHI electrical appliances are guaranteed to be free from defects in material and workmanship. Our obligation under this warranty is limited to the replacement or repair, free of charge, at our factory or authorized Service Centers, of any defective part or parts thereof other than parts damaged in transit, which shall be returned to us, transportation pre-paid, within one year from the date of delivery to the purchaser/user. This warranty shall apply only if the appliance is used in accordance with the factory directions which accompany it, and on an alternating current (AC) circuit. This warranty is in lieu of all other express or implied warranties and representations and any other obligation or responsibility of the manufacturer. No other person or company is authorized to assume for us any liability in connection with the sale or use of our products.

This warranty does not cover appliances that have been repaired or modified outside our factory, nor to appliances which have been subject to misuse, negligence or accidents.

If repairs become necessary or spare parts are needed, please write to:

De' Longhi CANADA
1040 Ronsa Court
MISSISSAUGA, ONTARIO
L4W 3Y4 CANADA



PRECAUCIONES IMPORTANTES

Al utilizar dispositivos eléctricos se deben observar algunas medidas básicas de seguridad. He aquí algunas de ellas:

1. Lea todas las instrucciones.
2. No toque las superficies calientes: sírvase de las asas y los selectores.
3. No moje el aparato, ya que podría ocasionar una descarga eléctrica. Siga las instrucciones que se dan para la limpieza.
4. Extreme los controles cuando el aparato sea utilizado por o cerca de los niños.
5. Desenchufe el aparato para limpiarlo y cuando esté fuera de uso. Déjelo enfriar antes de colocarle o extraerle algún componente y para limpiarlo.
6. No utilice el aparato si el cable o el enchufe están deteriorados, o si ha sufrido algún daño. Llévelo al servicio técnico más cercano para su revisión, reparación o ajuste.
7. El uso de accesorios no recomendados puede ser causa de accidentes.
8. No utilice el horno al aire libre.
9. No deje que el cable cuelgue de la encimera, ni que toque ninguna superficie caliente.
10. No coloque el aparato encima ni cerca de quemadores de gas o placas radiantes encendido o también en un horno calentado.
11. No transportar la freidora cuando el aceite está caliente, porque se corre el peligro de graves quemaduras.
12. Primero, insertar siempre el enchufe en el aparato y luego conectar el cable en el tomacorriente. Para desconectar el cable, colocar en "OFF" cualquier mando y luego sacar el enchufe del tomacorriente.
13. No utilice el aparato para usos diversos de los previstos.

CONSERVE ESTAS INSTRUCCIONES ESTE PRODUCTO ESTÁ DISEÑADO PARA USO DOMÉSTICO EXCLUSIVAMENTE

ATENCIÓN

- **La freidora tiene que ponerse en marcha sólo tras haberla llenado con aceite o manteca;** en efecto, si se calienta en vacío, interviene un dispositivo de seguridad térmico que interrumpe su funcionamiento.
- Conectar el aparato solo con enchufes de corriente alterna 120 volts.
- Si su aparato está provisto de un enchufe polarizado para línea de corriente alterna (un enchufe que tiene una espiga más larga que la otra). Este enchufe se adaptará en el tomacorriente de una sola manera, la cual es una característica de seguridad. Si no logra introducir completamente el enchufe en el toma corriente, inviértalo. Si el enchufe no entra aún, llame al electricista de manera de que sustituya el tomacorriente anómalo. No eludir el objetivo de seguridad del enchufe polarizado.
- Antes de usar la freidora por primera vez lavar esmeradamente la cuba y el cesto con agua caliente y poco detergente líquido para vajillas; despues sacarlo atentamente.
- Si la freidora perdiera aceite, dirigirse al centro de asistencia técnica o al personal autorizado de la empresa.
- No introducir en la freidora alimentos demasiado grandes o utensilios.
- Está prohibido el uso de este aparato por parte de niños y de personas incapaces sin la oportuna vigilancia.
- No dejar que los niños jueguen con el aparato.
- Durante el funcionamiento y cuando el aceite está caliente, la tapa del alojamiento del tubo siempre tiene que estar cerrada.
- Es del todo normal que durante la primera utilización, el aparato emane un olor de nuevo. Ventilar la habitación.
- Para evitar heridas o quemaduras no tocar las partes de metal de la freidora por que podrían estar calientes.

NO UTILISA LA FREIDORA CON CABLES DE PROLONGACIÓN

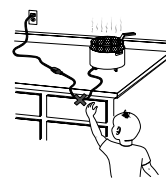
Se suministra un cable de alimentación corto para reducir los riesgos consecuentes de un enganche o tropezadura con un cable largo.

DESCRIPCIÓN DEL APARATO (pág. 2)

- A** Gancho de la tapa del filtro
- B** Tapa del filtro antiolor
- C** Tapadera
- D** Portillo (donde es suministrado)
- E** Mirilla para el control del filtro
- F** Cesto
- G** Cursor del mango
- H** Mango del cesto
- I** Pulsador para la apertura de la tapadera
- L** Asas para levantar el aparato
- M** Temporizador electrónico (si lo hay)
- N** Botón do Temporizador (si lo hay)
- O** Indicador luminoso
- P** Cursor termostato y apagado
- Q** Portillo para el alojamiento del tubo de drenaje (donde es suministrado)
- R** Tubito de drenaje "Easy Clean System" (donde es suministrado)
- S** Alojamiento del cable (donde es suministrado)

IMPORTANTE

QUEMADURAS GRAVES PUEDEN PRODUCIRSE SI UNA FREIDORA CAE. NO DEJAR QUE EL CABLE JUEGUE DEL BORDE DE LA SUPERFICIE EN LA QUAL ESTÁ LA FREIDORA, DESDE DONDE PODERÍA SER FACILMENTE ALCAN-CE DE UN NIÑO O CAUSAR MOLESTIA PARA EL UTILIZADOR.



**NO DEJAR LA
FREIDORA CERCA
DE LOS NIÑOS**

SI SU FREIDORA ESTÁ EQUIPADA CON UNA CABLE DE ALIMENTACIÓN CON CONECTOR MAGNÉTICO:

Conecte en primer lugar el conector magnético al aparato, como se representa en la figura 13, teniendo cuidado de que la parte sobresaliente del conector encaje perfectamente en la sede específica prevista en el aparato, a continuación enchufe la clavija a la toma de corriente.

Atención

No deje nunca la clavija enchufada a la toma de corriente cuando el conector magnético no esté conectado a la freidora, figura 14.

Si el conector magnético no está conectado al aparato, compruebe la correcta colocación vea la figura 13. Si el conector sigue sin estar colocado en su posición, póngase en contacto con un centro de asistencia autorizado.

Cuando el aparato está alimentado deje siempre un poco de espacio libre en las inmediaciones del conector magnético, para prevenir una eventual desconexión. Use solamente el cable de alimentación type TA-35PA, suministrado por centros de asistencia autorizados.

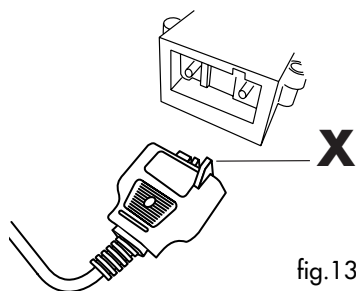


fig.13

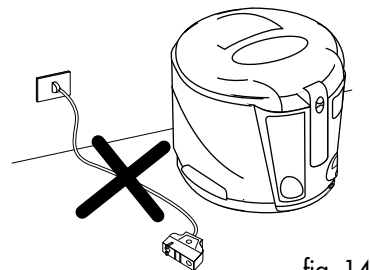


fig. 14

INSTRUCCIONES PARA EL USO

LLENADO CON ACEITE O GRASA

- Levantar la cesta hasta la posición más alta, halando hacia arriba la empuñadura al efecto (fig. 1).
- Pulsar I (fig. 1) y abrir la tapa.
- Sacar la cesta halándola hacia arriba (fig. 2).

La operación de levantamiento y descenso de la cesta se tendrá que llevar a cabo SIEMPRE con la tapa cerrada.

- Verter en la freidora 2 litros de aceite (o 1,8 kilos/3,6 lb de grasa).

El nivel debe hallarse siempre dentro de las marcas de referencia mínima y máxima. No sobrepasar nunca el máximo nivel.

El mejor resultado se obtiene con un **buen aceite de cacahuetes**. El aceite de oliva es el ideal puesto que se degrada menos fácilmente, pero una utilización prolongada acentúa su sabor. Evitar sobrtodo mezclar aceites diferentes.

Si se utiliza grasa sólida, cortarla a trozos pequeños de modo que la freidora no **caliente en seco** durante los primeros minutos. Programar la temperatura a 150°C/300°F hasta que toda la grasa se haya licuado, sólo a continuación se podrá pasar a la temperatura deseada. Hacer deshacer los trozos de grasa directamente en el recipiente. Solamente cuando se hayan deshecho completamente, se bajará el cesto.

PRECALIENTAMIENTO

1. Colocar los alimentos a freír en el cesto, sin sobrecargarlo (máx. 1 kg/2lb max. de patatas frescas).
2. Inserir luego el cesto en la cuba, en posición subida y cerrar la tapadera apretando ligeramente hacia abajo hasta hacer saltar el gancho.
3. Colocar el termostato (P) (fig. 3) en la temperatura deseada (ver tabla adjunta). Al alcanzar la temperatura programada, el indicador luminoso se apaga.

PARA FREIR

1. **Una vez apagado el indicador luminoso**, sumergir inmediatamente el cesto en aceite, bajando lentamente el mango después de haber deslizado el cursor (G) hacia atrás.
 - **Es completamente normal que, inmediatamente después de esta operación, del cubrefiltro salga una notable cantidad de vapor muy caliente.**
 - **También es normal que durante el funcionamiento caigan de la tapa algunas gotas de agua condensada, a lo largo de las paredes de plástico del aparato y en proximidad del asa del cesto.**
 - Al dar principio a la cocción, inmediatamente después de haber sumergido los alimentos en

aceite, el interior del portillo (donde es suministrado) irá llenándose de vapor, que desaparecerá gradualmente.

En los modelos dotados con portillo de inspección si se unta la mirilla con aceite antes de la cocción, el agua condensada no se deposita y la visibilidad resulta mayor.

- **No desplazar el aparato mientras el aceite esté todavía caliente.**
- **Desplazar el aparato utilizando las asas correspondientes (L) (No utilizar nunca el mango del cesto para realizar esta operación).**

EN LOS MODELOS DOTADOS DE CUENTAMINUTOS ELECTRONICO

1. Plantear el tiempo de cocción apretando el botón "N", el visor "M" visualizará los minutos planteados.
2. Inmediatamente después, las cifras comenzarán a centellar, esto significa que el tiempo de cocción ha comenzado. El último minuto se visualiza en segundos.
3. En caso de error se debe plantear el nuevo tiempo de cocción, manteniendo apretado el pulsante por más de 2 segundos. El visor se ajustará a cero, repetir desde el punto 1.
4. El cuenta minutos indicará la finalización del tiempo de cocción con dos series de bipóbip a intervalos de 20 segundos. Para apagar el avisador acústico basta apretar el botón cuentaminutos (N).

ATENCIÓN: el cuentaminutos no apaga el aparato.

Cambio de la pila cuentaminutos (fig. 4)

- *Quitar el cuentaminutos de su alojamiento haciendo palanca en el lado superior ver fig. 4A.*
- *Girar en sentido contrario a las agujas del reloj la tapa de la pila fig. 4 B colocado en la parte posterior del mismo hasta que se desenganche.*
- *Extraer la pila y cambiarla con otra de las mismas características.*
- *Para deshacerse de la pila, respetar las disposiciones de ley vigentes para la descarga de productos tóxicos.*

FINAL DE LA OPERACIÓN DE FRITURA

Al finalizar el tiempo programado, subir el cesto y controlar si la comida está dorada como se desea. En los modelos dotados con portillo de inspección, esta operación se puede efectuar a través del mismo, sin

abrir la tapadera. Si se opina que la cocción haya acabado, apagar el aparato llevando el cursor del termostato en la posición "OFF" hasta que dispare el interruptor interno. Dejar gotear el aceite por un instante.

NOTA: Si la cocción está prevista en dos fases (ej. Patatas), levantar el cesto al final de la primera fase y esperar hasta que la señal luminosa se haya apagado para volver a introducir el cesto en el aceite por segunda vez (véanse tablas adjuntas).

FILTRACIÓN DEL ACEITE O GRASA

Se aconseja realizar esta operación después de cada fritura, ya que las partículas de alimentos, sobre todo si están empanados o enharinados, quedando en el líquido, tienden a quemar y luego a producir una alteración mucho más rápida del aceite o grasa.

Modelos con tubo para vaciar el aceite

Proceder en el siguiente modo:

1. Abrir la tapadera de la freidora y sacar el cesto. **Controlar que el aceite esté bastante frío (2 horas aproximadamente).**
2. Abrir la puerta (Q) como se indica en la fig. 5 y sacar el tubito de drenaje (R).
3. Quitar el tapón (fig. 6) y al mismo tiempo aplastar con los dedos el tubito de drenaje para evitar que sobresalga el líquido de freír mientras no esté colocado en un recipiente.
4. Dejar salir el líquido de freír en un contenedor (fig. 6).
5. Eliminar de la cuba los depósitos eventuales por medio de una esponja o papel secante.
6. Volver a colocar el tubito de drenaje en su alojamiento **después de haberlo tapado nuevamente.**
7. Volver a colocar el cesto en posición subida y disponer en el fondo el filtro de equipamiento (fig. 7). (El filtro se encontrará en su comercio o bien en nuestros centros de asistencia).
8. Volver a verter muy lentamente el líquido de cocción en la freidora para que no sobresalga del filtro (fig. 8).

N.B: El aceite filtrado se puede dejar en el interior de la freidora. Sin embargo, si entre una cocción y la otra transcurriera mucho tiempo, se aconseja guardar el aceite en la obscuridad y en un recipiente cerrado, al objeto de evitar su deterioro.

Para llenar este recipiente, sacar de nuevo el tubito y actuar como se indica en la fig. 9.

Es buena regla conservar el aceite empleado para freír pescado separado del que se ha usado para freír otros alimentos.

Caso de que se utilice grasa, cuidar que no se enfríe demasiado, porque se volvería sólida.

SUSTITUCIÓN DEL FILTRO ANTILORES

Con el pasar del tiempo, los filtros antiolores que se encuentran en el interior de la tapa, pierden su eficacia. El cambio de color del filtro, visible a través del agujero (E) de la contratapa, indica que se debe susti-

tuir el filtro. Para la sustitución es necesario sacar las tapaderas de plástico (fig. 11) apretando el gancho en dirección de la flecha 1, luego levantar en dirección de la flecha 2. Cambiar los filtros.

N.B. El filtro blanco se coloca primero y arriba el filtro negro. El cubre filtro se debe colocar sobre el filtro negro (fig. 12).

LIMPIEZA

Antes de cualquier operación de limpieza, **desenchufar el aparato.**

* **No sumergir nunca la freidora en agua ni ponerla debajo del grifo. Si entrara agua en su interior se producirían descargas eléctricas.**

No poner la tapadera debajo del agua sin haber quitado previamente los filtros.

Para la limpieza de la cuba, actuar del modo siguiente:

- **Después de haber dejado enfriar oportunamente el aceite**, vaciar el líquido de freír (véase "filtración del aceite ou grasa").
- Para una limpieza a fondo del recipiente usar agua caliente y detergente para platos, después enjuagar y secar con cuidado.
- Lavar el recipiente con agua caliente y detergente líquido para platos, luego enjuagar.
- Se aconseja limpiar regularmente el cesto cuidando eliminar todos los depósitos eventuales.
- El cesto se puede introducir completamente en el lavavajillas para su limpieza.
- Después de cada uso secar la parte externa de la freidora con un paño suave y húmedo en modo de eliminar las salpicaduras y eventuales pequeñas manchas de aceite o de vapor.
- La tapa es amovible, para sacarla realizar lo siguiente: empujarla hacia atrás (ver flecha "1", fig.10) y al mismo tiempo tirarlo hacia arriba (ver flecha "2", fig.10).
- Al final de la operación, seque todo muy bien y elimine el posible residuo de agua que se acumula en el fondo del depósito y, principalmente, en el interior del tubo de descarga del aceite. Esto sirve para que durante el funcionamiento no salgan peligrosos chorros de aceite caliente.

MODELO CON CUBA ANTIADHERENTE

Para la limpieza de la cuba no usar detergentes ni esponjas abrasivas, sino un paño suave con detergente neutro.

CONSEJOS PARA LA COCCIÓN

DURACIÓN DEL ACEITE O GRASA

Cuando el aceite queda por debajo del nivel mínimo, añadir aceite nuevo. De vez en cuando, sin embargo, es mejor renovarlo completamente, para conservar no sólo la calidad gustativa, sino también la digestibilidad de los alimentos freídos.

La duración del aceite depende de lo que se frie. El rebozado, por ejemplo, ensucia el aceite más que una simple fritura.

Aconsejamos cambiar totalmente el aceite cada 5÷8 frituras y, en cualquier caso, cuando:

- comience a tener mal olor
- humea cuando se frie
- se vuelve oscuro

PARA FREÍR NEL MODO CORRECTO

- **Los alimentos a freír se deben sumergir sólo cuando el aceite ha alcanzado la justa temperatura, o**

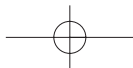
sea cuando el indicador luminoso se apaga.

- No sobrecargar el cesto. Esto provocaría la disminución repentina de la temperatura del aceite y por tanto una fritura demasiado grasa y no uniforme.
- Para freír una pequeña cantidad de alimentos, programar una temperatura para el aceite inferior a la indicada para evitar borboteos del aceite
- Controlar que los alimentos sean finos y tengan igual espesor. Si demasiado espesos, se cuecen mal interiormente, a pesar de tener un buen aspecto. De espesor igual, alcanzan al mismo tiempo la cocción ideal.
- **Asciugare Secar perfectamente los alimentos antes de sumergirlos en el aceite o grasa.** Estando húmedos, quedarían blandos después de la cocción (sobre todo si se trata de patatas). Se aconseja empanar o enharinar los alimentos muy ricos en agua (pescado, carne verduras), cuidando eliminar el pan o la harina sobrantes antes de introducirlos en el aceite.

FRITURA DE ALIMENTOS NO CONGELADOS

Consúltese la tabla siguiente, teniendo en cuenta de que los tiempos y las temperaturas de cocción son estimados y tienen que ajustarse en función de la cantidad y del gusto personal.

Alimento	Cantidad máx.	Temperaturas		Tiempo (min)	
		(°C)	(°F)		
Patatas frescas	media ración	1.1 lb / 500 gr	190	370	1ª phase 5 - 6 2ª phase 2 - 3
	una ración	2.2 lb / 1000 gr	190	370	1ª phase 7 - 9 2ª phase 6 - 8
Pescado	Calamares	1.1 lb / 500 gr	160	320	12 - 13
	"Canestrelli"	1.1 lb / 500 gr	160	320	12 - 13
	Cigalas	1.1 lb / 500 gr	160	320	10 - 11
	Sardas	1.1 lb / 500 gr	170	340	12 - 13
	Sepias	1.1 lb / 500 gr	170	340	12 - 13
	Lenguados (2)	0.9 lb / 400 gr	160	320	8 - 9
Carne	Escalopes de novillo (2)	0.7 lb / 300 gr	170	340	8 - 9
	Milanesas de pollo (2)	0.7 lb / 300 gr	170	340	7 - 8
	Albóndigas (13)	1.2 lb / 550 gr	160	340	7 - 8
Verduras	Alcachofas	0.6 lb / 250 gr	150	300	11 - 12
	Coliflor	0.9 lb / 400 gr	160	320	9 - 10
	Setas	0.9 lb / 400 gr	150	300	9 - 10
	Berenjenas (4 lonchas)	0.2 lb / 100 gr	170	340	7 - 8
	Calabacines	0.7 lb / 300 gr	160	320	11 - 12



FRITURA DE ALIMENTOS CONGELADOS

1. Los alimentos congelados tienen temperaturas muy bajas. Por consiguiente producen inevitablemente una notable disminución de la temperatura del líquido de cocción. Para obtener un buen resultado, les aconsejamos que no sobrepasen las cantidades máximas de alimentos para cada fritura que se aconsejan en la tabla siguiente:
2. **Los alimentos congelados a menudo están cubiertos por numerosos cristales de hielo que se debe tratar de eliminar antes de la cocción.** Sumergir muy lentamente el cesto en el aceite caliente para evitar su ebullición.
Asegurarse de que la tapadera esté bien cerrada tras haber introducido el cesto.

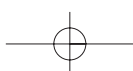
Los tiempos de cocción de esta tabla son aproximados y pueden variar en función de la temperatura inicial de los alimentos y de la temperatura de cocción indicada en el envase.

Alimento		Cantidad máx.	Temperaturas (°C) (°F)		Tiempo (minuti)
Patatas pre-cocinadas		0.7 lb / 300 gr (*)	190	370	1 st phase 5 - 6 2 nd phase 2 - 3
Croquetas de patatas		1.1 lb / 500 gr	190	370	7 - 8
Pescado	Varitas de merluza	0.7 lb / 300 gr	190	370	6 - 7
	Gambas	0.7 lb / 300 gr	190	370	6 - 7
Carne	1 milanesa de pollo	0.4 lb / 200 gr	190	370	7 - 8

(*) Esta es la dosis aconsejada para obtener una fritura óptima. Claramente, es posible freír una cantidad mayor de patatas congeladas, pero teniendo en cuenta de que en este caso resultarán un poco untuosas debido al repentino descenso de la temperatura del aceite durante la inmersión.

ANOMALIAS DE FUNCIONAMIENTO

Anomalia	Causa	Rimedio
Emanación de malos olores	El filtro anti-olores está lleno El aceite está deteriorado El líquido de cocción no es apropiado	Sustituir el filtro Sustituir el aceite o la grasa Utilizar un buen aceite de cacahuete
El aceite rebosa	Se ha sumergido el cesto demasiado rápidamente El nivel de aceite en la freidora excede del límite máximo Se han sumergido en el aceite caliente alimentos no suficientemente secos Se ha superado la cantidad máxima aconsejada	Sumergirlo lentamente Reducir la cantidad de aceite en el interior de la cuba Secar bien los alimentos 2.2 lb / 1 kg. (patatas frescas) 0.7 lb / 300 gr. (patatas congeladas)
El aceite no se calienta	La freidora ha estado puesta anteriormente en funcionamiento sin aceite en el recipiente, provocando la rotura. El conector magnético no está bien conectado.	Dirigirse al Servicio de Asistencia Técnica (el fusible tiene que ser sustituido) Conectar el conector magnético prestando atención que el resalto "X" está rivolto en alto. Contacte el centro de asistencia





Garantía limitada

Garantizamos todo producto DE'LONGHI por defectos de material y mano de obra. Nuestra obligación dentro de esta garantía es proporcionar gratuitamente las refacciones y el servicio durante un año a partir de la fecha de compra. Esta garantía se aplicará únicamente si el producto se utiliza de acuerdo con las anexas instrucciones del fabricante y con un circuito de corriente alterna (AC). Esta garantía reemplaza a cualquier otra garantía y acuerdo, expreso o implícito y a todas las demás obligaciones o responsabilidades de nuestra parte. No autorizamos a ninguna otra persona o compañía a asumir nuestras responsabilidades relacionadas con la venta y el uso de nuestro producto. Esta garantía no implica ninguna responsabilidad de parte nuestra en relación con la venta o el uso de nuestro producto. Esta garantía no es válida para los productos que hayan sido reparados o alterados fuera de nuestra fábrica ni tampoco para los productos que hayan sido sometidos a uso inadecuado, negligencia o accidentes. Si se necesitan reparaciones o refacciones, se ruega escribir a:

CENTRO NACIONAL DE SERVICIO

(5) 5 549 8362

(5) 5 549 3904

DEMOTECNIC DE MÉXICO, S.A. DE C.V.

Ave, del Convento No. 136

Col Parque San Andrés, Coyoacán

MEXICO, 04120 D.F.



AVISOS IMPORTANTES

Ao usar aparelhos eletrodomésticos, precauções básicas de segurança devem sempre ser seguidas, incluindo-se o que se segue:

- 1 Leia todas as instruções.
- 2 Não toque superfícies quentes. Use os punhos e os botões.
- 3 Para proteger contra incêndio, choque elétrico e danos pessoais, não mergulhe o cabo, o plugue ou o aparelho em água ou outro líquido.
- 4 Não deixe que o aparelho seja utilizado por crianças ou pessoas irresponsáveis, a não ser que supervisionadas.
- 5 Retire o plugue da tomada quando o aparelho não estiver em uso e antes da limpeza. Deixe-o esfriar antes de montar ou tirar partes e antes de limpar o aparelho.
- 6 Não opere o aparelho com o cabo ou plugue danificados, ou depois de mau funcionamento do aparelho, ou quando o aparelho sofrer danos de alguma forma. Devolva o aparelho

ao posto de serviço autorizado mais próximo para exame, conserto ou ajuste.

- 7 O uso de acessórios ou peças de reposição não recomendados pelo fabricante do aparelho, pode resultar em incêndio, choque elétrico ou dano pessoal.
- 8 Não use o aparelho ao ar livre.
- 9 Não deixe o cabo sobre a borda da mesa ou balcão ou tocando superfícies quentes.
- 10 Não coloque o aparelho sobre ou perto de um fogão elétrico ou numa estufa aquecida.
- 11 Para desconectar o aparelho, coloque o controle na posição "desligada" e em seguida remova o plugue da tomada.
- 12 Não use o aparelho para outros fins diferentes do uso recomendado.
- 13 Esta máquina é apenas para a utilização doméstica. Qualquer outro tipo de utilização doméstica, é considerado impróprio ou incorrecto.

GUARDE ESTAS INSTRUÇÕES

ESTE APARELHO SÓ SE DESTINA AO USO DOMÉSTICO

Ler com atenção este manual de instruções antes de instalar e de usar o aparelho. Só assim se podem obter os melhores resultados e uma maior segurança de utilização.

- Verifique se a voltagem do aparelho é compatível com sua tomada.
- Este aparelho foi concebido para fritar alimentos e para uma utilização exclusivamente doméstica. Não deve ser utilizado para outros fins e não deve ser modificado ou alterado de modo nenhum.
- Não ligar o aparelho de estiver danificado (por ex: devido a uma queda).
- Antes de usar a fritadeira pela primeira vez, lavar bem a cuba e o cesto com água quente e detergente para louça; depois da lavagem enxugar toda a água que possa ter ficado na cuba.
- A fritadeira só deve ser ligada depois de se ter completada com óleo ou banha.
- Caso seja ligada sem óleo, é acionado um dispositivo de segurança que interrompe seu funcionamento. Neste caso, para ligar novamente o aparelho é necessário contactar um nosso Centro Autorizado.
- Antes da utilização, verificar se a tensão da rede corresponde à indicada na etiqueta das características técnicas do aparelho.
- Ligar o aparelho exclusivamente a tomadas de corrente com a capacidade mínima de 15 A e com uma ligação à terra eficiente.
- Durante o funcionamento, o aparelho pode ficar

muito quente. NUNCA DEIXAR O APARELHO AO ALCANCE DAS CRIANÇAS.

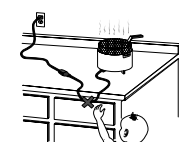
- Durante o funcionamento, o tubo de descarga (se existente) deve estar sempre fechado e colocado no seu lugar.
- Não deslocar a fritadeira quando o óleo está quente, pois podem-se sofrer queimaduras graves.
- Se a fritadeira perder óleo, contactar o Centro de Assistência Técnica ou o pessoal autorizado pelo Fabricante.
- Não desligar o plugue puxando pelo cabo de alimentação: puxar sempre pelo próprio plugue.
- Se a fritadeira cair pode provocar queimaduras graves. Não deixar o cabo de alimentação pendurado fora da superfície em que está apoiada a fritadeira, onde poderia estar ao alcance das crianças ou ser um obstáculo para o consumidor. Não usar extensões elétricas.
- Sem adequada supervisão, o uso deste aparelho não deveria ser permitido a crianças ou pessoas inábeis.
- Não deixar as crianças brincarem com o aparelho.
- Deslocar o aparelho utilizando as respectivas alças (L). (Nunca utilizar a alça do cesto para efetuar esta operação).
- É absolutamente normal que na primeira utilização o aparelho libere um cheiro de novo. Arejar o ambiente.
- Para evitar queimaduras, não tocar nas partes metálicas da fritadeira pois poderão estar muito quentes!

DESCRIÇÃO (pag. 2)

- A** Trava de abertura da tampa do filtro
- B** Tampa do filtro de odor
- C** Tampa
- D** Visor (se existente)
- E** Furo para controlo do filtro
- F** Cesto
- G** Trava do cabo do cesto
- H** Cabo do cesto
- I** Botão de abertura da tampa
- L** Encaixe para levantar o aparelho
- M** Timer (se existente)
- N** Tecla do timer (se existente)
- O** Led de sinalização
- P** Cursor do termostato e desligamento
- Q** Tampa do encaixe do tubo de descarga do óleo (se existente)
- R** Tubo de descarga do óleo "easy clean system" (se existente)
- S** Enrolador do cabo de força (se existente)

IMPORTANTE

QUEIMADURAS GRAVES PODEM SER CAUSADAS PELO DERRAME DE ÓLEO A FERVER, POR ISSO TER MUITO CUIDADO. EVITAR DEIXAR O CABO DA FRITADEIRA MAL COLOCADO PORQUE PODE CAUSAR ACIDENTES A CRIANÇAS E AO UTILIZADOR. EVITAR USAR EXTENSÕES DE CABOS PARA LIGAR A FRITADEIRA.



NÃO DEIXAR O APARELHO AO ALCANCE DAS MÃOS DAS CRIANÇAS.

SE A SUA FRIGIDEIRA DISPÕE DE CABO DE ALIMENTAÇÃO COM CONECTOR MAGNÉTICO:

Antes de tudo, ligue o conector magnético ao aparelho, como indicado na figura 13, prestando atenção que a parte saliente do conector se encaixe perfeitamente no expresso alojamento, previsto no aparelho, em seguida, insira o plugue na tomada de corrente elétrica.

Atenção

Nunca deixe o plugue inserido na tomada de corrente se o conector magnético não estiver ligado à frigideira, figura 14.

Se o conector magnético não ficar em posição, verifique o seu perfeito encaixe, veja a figura 13.

Se o conector persiste em não ficar em posição, consulte um centro de assistência autorizado.

Quando o aparelho está sendo alimentado, deixe sempre um pouco de espaço livre nas proximidades do conector magnético, isto a fim de prevenir um seu eventual desprendimento.

Use somente cabo de alimentação de tipo TA-35PA, fornecido por centros de assistência autorizados.

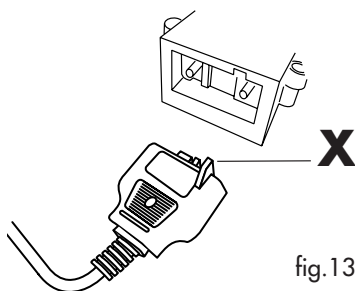


fig. 13

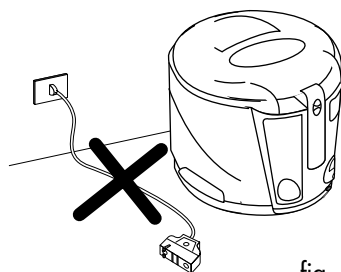


fig. 14

INSTRUÇÕES

ENCHIMENTO COM ÓLEO OU BANHA

- Levantar o cesto para a posição mais alta puxando para cima o respectivo cabo (Fig. 1).
- Abrir a tampa premindo o botão I (Fig. 1).
- Extrair o cesto puxando-o para cima (Fig. 2).

A operação de levantamento e abaixamento do cesto deve ser SEMPRE efetuada com a tampa fechada.

- Colocar na cuba 2 lt. de óleo (ou 1,8 kg de banha).

O nível do óleo deverá encontrar-se sempre entre as marcas de máximo e mínimo.

Nunca ultrapassar o nível máximo de referência.

Obtêm-se os melhores resultados utilizando um bom óleo de amendoim. Evitar a mistura de óleos diferentes. Utilizando placas de banha sólida, cortá-las em pequenos pedaços de modo que a fritadeira não aqueça a seco nos primeiros minutos. A temperatura deve ser programada para 150°C até à completa liquefação da gordura. Só posteriormente é que se deverá passar à temperatura desejada.

Derreter os pedaços de banha diretamente na cuba e não no cesto. Começar a fritar somente quando estes estiverem completamente derretidos.

PRÉ-AQUECIMENTO

1. Colocar no cesto os alimentos para fritar, sem nunca o sobrecarregar (máx. 1 kg de batatas frescas).
2. Introduzir o cesto na cuba, na posição elevada, e fechar a tampa fazendo uma leve pressão na mesma para encaixar os ganchos.
3. Girar o manípulo do termostato "P" para a temperatura desejada (fig. 3). Ao atingir a temperatura programada, a lâmpada de sinalização apaga-se.

INÍCIO DA FRITURA

1. Logo que se apaga a lâmpada de sinalização, mergulhar imediatamente o cesto no óleo, baixando lentamente o cabo depois de ter deslizado o cursor "G" da mesma, para trás.
 - **É absolutamente normal que, logo depois desta operação, saia uma grande quantidade de vapor muito quente pelas ranhuras da tampa.**
 - **É também normal que, durante o funcionamento, escurram algumas gotas de condensação pela tampa ao longo das paredes de plástico do aparelho.**
- No início da fritura, logo depois de se terem mergulhado os alimentos no óleo, a parede

interna da janela (se existente) cobre-se de vapor, que depois desaparecerá progressivamente. Untando a janela com óleo, antes da fritura, a condensação não se depositará e a visibilidade será melhor.

NOS MODELOS EQUIPADOS COM TIMER

1. Programar o tempo de fritura, premindo a tecla "N", o visor "M" visualizará os minutos programados.
2. Logo depois os algarismos começarão a piscar, indicando que iniciou o tempo de fritura. O último minuto é visualizado em segundos.
3. No caso de erro pode-se programar o novo tempo de fritura mantendo premida a tecla por mais de 2 segundos. O visor passa a zeros e depois repetir a alínea 1.
4. O timer indicará o final do tempo de fritura com duas séries de bip-bip intervaladas de cerca de 20 segundos. Para desligar o sinal sonoro basta premir a tecla do timer "N".

ATENÇÃO: o timer não desliga o aparelho.

Substituição da bateria do timer (fig. 4).

- *Extrair o timer da sua base fazendo alavanca no lado direito, ver fig. 4 A.*
- *Girar a tampa da bateria para a esquerda fig. 4 B, que se encontra na traseira do timer até que se solte.*
- *Substituir a bateria por uma do mesmo tipo.*
- *Lembrar-se de deitar fora a bateria respeitando as disposições de lei vigentes para a descarga dos produtos tóxicos.*

FINAL DA FRITURA

No final do tempo de fritura, levantar o cesto e verificar se os alimentos estão dourados como se desejava. Nos modelos equipados com janela, esta verificação pode ser efetuada olhando através da mesma, sem abrir a tampa.

Se a fritura estiver terminada, desligar o aparelho girando o manípulo do termostato para a posição "Off", até se sentir o clique do interruptor interno.

Deixar escorrer o óleo em excesso deixando o cesto por algum tempo na fritadeira, na posição alta.

N.B.: Se for prevista uma fritura em duas fases (por ex.: batatas), levante o cesto no final da primeira fase, aguarde que se apague a luz e mergulhe pela segunda vez o cesto no óleo (consulte as tabelas anexas).

FILTRAGEM DO ÓLEO OU DA BANHA

Aconselhamos efetuar esta operação depois de cada fritura pois as partículas de alimentos, em especial os que são empanados ou enfarinhados, permanecendo no líquido, têm tendência para queimar e portanto provocar uma deterioração muito mais rápida do óleo ou da banha.

Verificar se o óleo está suficientemente frio, aguardar cerca de 2 horas.

MODELOS COM TUBO DE DRENAGEM

Proceder do seguinte modo:

1. Abrir a tampa da fritadeira e retirar o cesto. **Verificar se o óleo está suficientemente frio, aguardar cerca de 2 horas.**
2. Abrir a portinhola (Q) como indicado na fig. 5 e extrair o tubo de drenagem "R".
3. Retirar o tampão (fig. 6) e, ao mesmo tempo, apertar o tubo com dois dedos para evitar que o óleo ou a gordura saiam enquanto não se colocar um recipiente debaixo do mesmo para recolher o óleo ou banha. Deixar escorrer o óleo ou banha para um recipiente (fig. 6).
4. Retirar os possíveis depósitos da cuba com uma esponja ou com papel absorvente.
5. No final da operação colocar o tubo de drenagem **no seu lugar depois de se ter aplicado o tampão.**
6. Colocar o cesto na posição elevada e colocar no fundo do cesto um dos filtros fornecidos (fig. 7). Os filtros podem ser comprados no vosso revendedor ou num dos nossos Centros de Assistência.
7. Colocar então muito lentamente o óleo ou a banha na fritadeira para que não transborde do filtro (fig. 8).

Notas: O óleo assim filtrado pode ser conservado no interior da fritadeira. Todavia, se passar muito tempo entre duas frituras, é aconselhável conservar o óleo num recipiente fechado para evitar a sua deterioração. Para transferir o óleo para um recipiente, extrair o tubo de drenagem e proceder como indicado na fig. 9.

É aconselhável conservar o óleo num recipiente fechado para evitar a sua deterioração.

No caso de utilização de banha, tomar atenção para não deixá-la esfriar demasiado pois solidifica.

SUBSTITUIÇÃO DO FILTRO DE ODORES

Com o tempo, os filtros de odores, situados no interior da tampa, perdem a sua eficácia. A alteração de cor do filtro, que se pode observar através do furo da fig. 10 da

contra-tampa, indica que o filtro deve ser substituído.

Para a sua substituição, retirar a cobertura de plástico do filtro (fig. 11) premindo o gancho na direção da seta 1, depois levantar na direção da seta 2. Substituir os filtros.

N.B.: O filtro branco deve ser colocado em apoio na parte metálica e o filtro preto deve ser apoiado em cima. Montar novamente a cobertura do filtro (fig. 12).

LIMPEZA

Antes de qualquer limpeza **desligar sempre o plugue da tomada de corrente.**

• **Nunca mergulhar a frigideira na água e não colocá-la por baixo do jacto de água da torneira. Infiltrando-se, a água provocaria descargas elétricas.**

Não mergulhar a tampa em água sem primeiro tirar os filtros.

Para a limpeza da bacia, proceder do seguinte modo:

- **Verificar se o óleo está suficientemente frio (aguardar cerca de 2 horas).** Esvaziar o óleo ou banha, como já atrás mencionado no parágrafo "filtragem do óleo ou da banha".
- Retirar os depósitos que se formaram na bacia com o auxílio de uma esponja ou com papel absorvente.
- Lavar a cuba com água quente e detergente líquido para louça, depois enxaguar e enxugar bem.
- Recomenda-se de limpar regularmente o cesto tendo o cuidado de eliminar os possíveis depósitos que se possam ter acumulado.
- O cesto pode ser lavado na máquina de lavar louça.
- Depois de cada fritura, limpar o exterior da fritadeira com um pano macio e úmido de modo a eliminar os salpicos e os possíveis escorrimientos de óleo ou de condensação.
- A tampa é amovível. Para retirá-la, seguir estas instruções: empurrá-la para trás (ver seta "1", fig. 10) e simultaneamente puxá-la para cima (ver seta "2", fig. 10)".
- Depois de esvaziada a água, secar tudo muito bem e retirar também a água que fica no fundo do recipiente e sobretudo dentro do tubo de drenagem do óleo. Isto para evitar que, durante o funcionamento, possam saltar pingos de óleo quente o que pode ser perigoso.

MODELO COM CUBA ANTIADERENTE

Para limpar a cuba, não utilizar objetos ponteados ou detergentes abrasivos, mas somente um pano macio com detergente neutro.

CONSELHOS PARA A COZEDURA

DURAÇÃO DO ÓLEO OU DA BANHA

Quando o óleo desce abaixo do nível MÍN, juntar mais óleo. De vez em quando é melhor removê-lo completamente para não só manter a qualidade do sabor mas também a digestibilidade dos alimentos fritos.

A duração do líquido da fritura depende do que se frita: os panados, por exemplo, sujaram mais o óleo do que a simples fritura.

Aconselhamos a substituição total do óleo cada 5 a 8 frituras e sempre que:

- começar a ter um mau cheiro
- fumaça durante a fritura
- torna-se escuro

PARA FRITAR DA MELHOR MANEIRA

- Os alimentos a fritar só devem ser mergulhados quando o óleo estiver à temperatura correta, isto

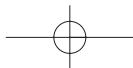
é quando a lâmpada de sinalização se apagar.

- Não sobrecarregar o cesto. Isso pode provocar um abaixamento repentino da temperatura do óleo e portanto provocar uma fritura muito gordurosa e não uniforme.
- Se fritar uma quantidade reduzida de alimentos, programe a temperatura do óleo para uma temperatura mais baixa do que a indicada para evitar que o óleo ferva excessivamente.
- Verificar se os alimentos estão cortados finos e com espessura igual, pois os alimentos muito grossos cozem mal no seu interior, apesar do bom aspecto exterior, enquanto que os de espessura uniforme alcançam a cozedura ideal ao mesmo tempo.
- **Enxugar bem os alimentos antes de os mergulhar no óleo ou banha**, pois os alimentos úmidos ficam moles depois da cozedura (em especial as batatas). Aconselha-se panar ou enfarinhar os alimentos muito ricos em água (peixe, carne, verduras), tendo o cuidado de eliminar o pão ou farinha em excesso antes de os mergulhar no óleo.

FRITURA DE ALIMENTOS NÃO CONGELADOS

Consultar a tabela seguinte tendo presente que os tempos e as temperaturas de cozedura são aproximativos e devem ser regulados em função da quantidade e do gosto pessoal.

Alimento	Quantidade máx.	Temperature		Tempo (minutos)	
		(°C)	(°F)		
Batatas frescas	meia porção	1.1 lb / 500 gr	190	370	1 fase 5 - 6
					2 fase 2 - 3
	porção inteira	2.2 lb / 1000 gr	190	370	1 fase 7 - 9
					2 fase 6 - 8
Peixe	Lulas	1.1 lb / 500 gr	160	320	12 - 13
	Lulas às rodela	1.1 lb / 500 gr	160	320	12 - 13
	Caudas de lagostim	1.1 lb / 500 gr	160	320	10 - 11
	Sardinhas	1.1 lb / 500 gr	170	340	12 - 13
	Choquinhos	1.1 lb / 500 gr	170	340	12 - 13
	Solhas (1)	0.9 lb / 400 gr	160	320	8 - 9
Carne	Panados de vaca (1)	0.7 lb / 300 gr	170	340	8 - 9
	Panados de frango (1)	0.7 lb / 300 gr	170	340	7 - 8
	Croquetes (13)	1.2 lb / 550 gr	160	340	7 - 8
Verduras	Alcachofras	0.6 lb / 250 gr	150	300	11 - 12
	Couve-flor	0.9 lb / 400 gr	160	320	9 - 10
	Cogumelos	0.9 lb / 400 gr	150	300	9 - 10
	Beringelas (4 fatias)	0.2 lb / 100 gr	170	340	7 - 8
	Courgettes	0.7 lb / 300 gr	160	320	11 - 12



FRITURA DE ALIMENTOS CONGELADOS

- Os alimentos congelados têm temperaturas muito baixas. Consequentemente, provocam inevitavelmente um significativo abaixamento da temperatura do líquido de fritura. Para se obter um bom resultado, aconselhamos de não ultrapassar as quantidades máximas de alimentos por cada fritura, recomendadas na seguinte tabela.
- Os alimentos congelados estão frequentemente cobertos por numerosos cristais de gelo que se devem tentar eliminar antes da fritura.** Mergulhar depois o cesto muito lentamente no óleo de fritura para evitar a ebulição do óleo.
Antes de mergulhar o cesto, assegurar-se que a tampa esteja bem fechada.

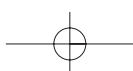
Os tempos de cozedura são aproximativos e devem ser variados em função da temperatura inicial dos alimentos a fritar e em função da temperatura aconselhada pelo fabricante dos congelados.

Alimento	Quantidade máx.	Temperature		Tempo (minutos)
		(°C)	(°F)	
Batatas pré-cozinhadas congeladas	0.7 lb / 300 gr (*)	190	370	1 fase 5 - 6 2 fase 2 - 3
Croquetes de batata	1.1 lb / 500 gr	190	370	7 - 8
Peixe Filetes de pescada	0.7 lb / 300 gr	190	370	6 - 7
Gambas	0.7 lb / 300 gr	190	370	6 - 7
Carne 2 panados de frango	0.4 lb / 200 gr	190	370	7 - 8

(*) Esta é a dose aconselhada para se obter uma boa fritura. Naturalmente é possível fritar uma quantidade maior de batatas congeladas, mas deve-se ter em linha de conta que nesse caso ficarão mais engorduradas devido ao abaixamento repentino da temperatura do óleo no momento da imersão.

ANOMALIAS DE FUNCIONAMENTO

Anomalia	Causa	Solução
Emanação de maus cheiros	<ul style="list-style-type: none"> ○ filtro dos cheiros está saturado ○ óleo está deteriorado ○ líquido de fritura não é adequado 	Substituir o filtro Substituir o óleo ou a banha Utilizar óleo de amendoim de qualidade
○ óleo transborda	Imersão demasiado rápida do cesto ○ nível do óleo na fritadeira ultrapassa o limite máximo Os alimentos que foram mergulhados no óleo quente não estavam suficientemente enxutos Foi ultrapassada a quantidade máxima recomendada	Mergulhar lentamente Diminuir a quantidade de óleo no interior da bacia Enxugar bem os alimentos 2.2 lb / 1 kg (batatas frescas)
○ óleo não aquece	A fritadeira foi ligada sem óleo na bacia provocando assim que o fusível se fundisse. ○ conector magnético no está conectado.	Contatar o Serviço de Assistência (o fusível deve ser substituído) Conectar o conector magnético com o ressalto "X" em cima do conector Contactar o Centro de Assistência (o dispositivo tem que ser substituído)





Garantia

A DLB solicita a todas as pessoas que, ao abrir a embalagem do produto De'Longhi, antes de qualquer atitude com relação a ele, leiam atentamente o manual por inteiro e principalmente verifiquem se a voltagem do aparelho é compatível com a sua tomada.

Nós garantimos que todos os aparelhos elétricos De'Longhi são isentos de quaisquer defeitos de materiais bem como de sua manufatura.

Nossa obrigação sobre este termo de garantia está limitada à troca ou conserto gratuito, desde que executados em nossa rede autorizada de assistência técnica, de peças ou dos conjuntos que apresentam defeitos de fabricação, bem como problemas ocorridos durante o transporte até o revendedor a sua escolha, valendo sempre a data da venda ao consumidor.

Esta garantia não se aplica caso seja comprovado o uso indevido do produto.

Este produto De'Longhi é fabricado para uso doméstico, não se recomenda sua utilização em locais comerciais sob a pena de perda de sua garantia.

Não autorizamos qualquer outra pessoa ou empresa, que não seja posto autorizado De'Longhi a efetuar conserto em nossos produtos, bem como não autorizados quaisquer terceiros a assumir em nosso nome qualquer responsabilidade em relação à venda ou quanto o uso de qualquer produto.

Esta garantia tem prazo de validade de doze meses (um ano) a partir da data de sua venda ao primeiro consumidor, com a obrigatoriedade de constar na nota fiscal o número do CFP do mesmo.

ATENÇÃO: A NOTA FISCAL deverá ser apresentada com garantia no exercício dos seus direitos.

DLB INDÚSTRIA E COMÉRCIO LTDA.

DDG 0800-151516

sad@delonghi.com.br

Free Manuals Download Website

<http://myh66.com>

<http://usermanuals.us>

<http://www.somanuals.com>

<http://www.4manuals.cc>

<http://www.manual-lib.com>

<http://www.404manual.com>

<http://www.luxmanual.com>

<http://aubethermostatmanual.com>

Golf course search by state

<http://golfingnear.com>

Email search by domain

<http://emailbydomain.com>

Auto manuals search

<http://auto.somanuals.com>

TV manuals search

<http://tv.somanuals.com>