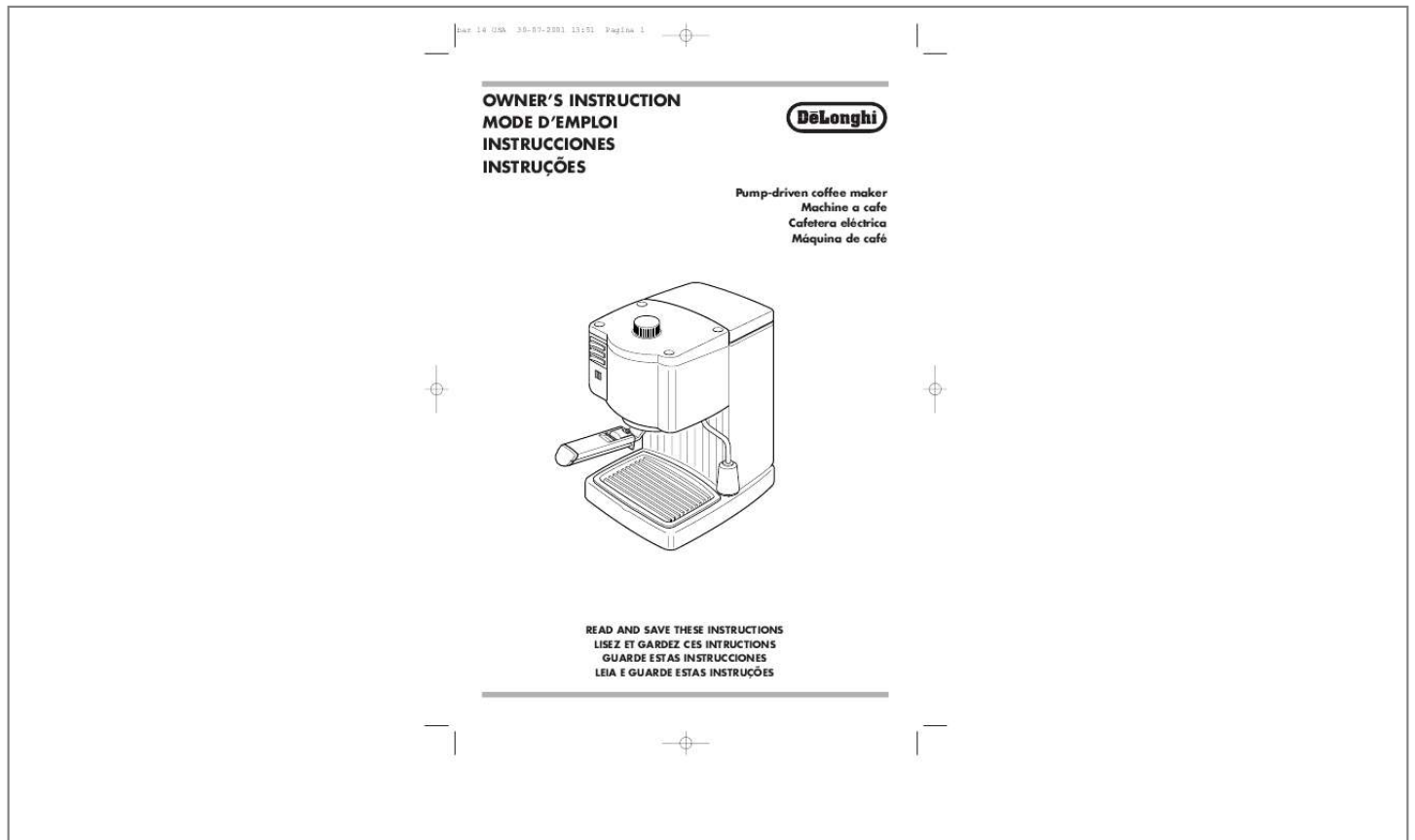




myPDFmanuals

You can read the recommendations in the user guide, the technical guide or the installation guide for DELONGHI CA F FE' TREVISO BAR 14 F. You'll find the answers to all your questions on the DELONGHI CA F FE' TREVISO BAR 14 F in the user manual (information, specifications, safety advice, size, accessories, etc.). Detailed instructions for use are in the User's Guide.

User manual DELONGHI CA F FE' TREVISO BAR 14 F
User guide DELONGHI CA F FE' TREVISO BAR 14 F
Operating instructions DELONGHI CA F FE' TREVISO BAR 14 F
Instructions for use DELONGHI CA F FE' TREVISO BAR 14 F
Instruction manual DELONGHI CA F FE' TREVISO BAR 14 F



[Your user manual](#)
[DELONGHI CA F FE' TREVISO BAR 14 F](#)

Manual abstract:

If an extension cord is used, the marked electrical rating should be at least as great as the electrical rating of the appliance. If the appliance is provided with 3-wire, grounding type cord, the extension should be a GROUNDING TYPE 3 - WIRE CORD. The longer cord should be arranged so that it will not drape over the counter-top or table top where it can be pulled on by children or tripped over. Your product is equipped with a polarized alternating current line plug (a plug having one blade wider than the other). This plug will fit into the power outlet only one way. This is a safety feature. If you are unable to insert the plug fully into the outlet, try reversing the plug. If the plug should still fail to fit, contact your electrician to replace your obsolete outlet. Do not defeat the safety purpose of the polarized plug. - 5 bar 14 USA 30-07-2001 13:51 Pagina 6 USE OF THE MACHINE THIS MACHINE IS FOR HOUSEHOLD USE

ONLY When using for the first time After unpacking the appliance, remove the plastic bag containing the accessories.

All accessories (filterholder, measuring spoon, two filters) must be washed with detergent and lukewarm water, then rinsed thoroughly. Then the internal circuit should be washed as follows: Filling the reservoir Remove the tank cover and pour fresh water into the tank (fig. 1). In some models the tank can be removed by lifting it upwards and, at the same time, lifting the intake tubes (fig. 2).

Rinse the tank and fill with cold water to the upper mark (MAX.), then replace the tank in its housing, ensuring that the tubes are immersed in the water. Pre-wash - Insert the plug into the power socket (do not forget the safety warnings). - Press the ON/OFF switch (S) and the delivery switch (U). The ON/OFF pilot lamp will light (fig.

3) and the pump will switch on. Wait until water begins to flow from the boiler nozzle; then turn the delivery switch off. After about 2 minutes, the pilot lamp will light (fig. 4) to indicate that the water in the boiler has reached the correct temperature. - Press the delivery switch again for 10/15 seconds, allowing water to flow from the boiler nozzle (fig. 5). Then turn the delivery switch off. - To ensure perfect pre-washing, repeat this procedure at least five or six times.

The machine is now ready for use. Positioning the filter-holder To insert the filter-holder in the machine, position it under the nozzle (fig.

6). Then push the filter holder upwards and at the same time rotate it towards the right as far as it will go. **HOW TO MAKE A PERFECT ESPRESSO COFFEE** Some suggestions - Always use fresh water and keep the tank clean. - Before making coffee, always wait for the "OK" pilot lamp to light. (This lamp indicates that the water in the boiler has reached the correct temperature for brewing coffee). - Before making coffee, heat the cups, filter-holder and filters by holding them under a hot water tap for a few moments. Alternatively, proceed as follows to pre-heat: - Turn the machine on by pushing the ON/OFF switch (S). - Insert the 1 or 2-cup filter into the filter holder (fig. 7) and without adding coffee, insert the filter holder in the machine as described previously. - Wait until the "OK" pilot lamp lights (fig.

4), then push the delivery switch (U) and allow the hot water to heat the filter-holder, filter and cups. When making coffee after using the machine to produce steam, it is advisable to let the water flow from the boiler nozzle in order to bring the machine back to the ideal temperature required to make a perfect cup of coffee. Top-quality beans, correctly roasted and ground, will always produce the best coffee. How to operate - Switch on the machine by pushing the ON/OFF switch. The ON/OFF pilot lamp will light.

A few drop of water may escape from the boiler nozzle. This is perfectly normal. Insert the 1- or 2-cup filter (fig. 7). Place 1 or 2 measures of ground coffee in the filter.

Spread the coffee evenly and press down lightly with the measuring/pressing spoon. 6 bar 14 USA 30-07-2001 13:51 Pagina 7 - - If the machine features a tamper, this can be used to press the coffee more uniformly (fig. 8), which gives a even better cup of espresso..



[Your user manual](#)

[DELONGHI CAFFE' TREVISO BAR 14 F](#)

Free Manuals Download Website

<http://myh66.com>

<http://usermanuals.us>

<http://www.somanuals.com>

<http://www.4manuals.cc>

<http://www.manual-lib.com>

<http://www.404manual.com>

<http://www.luxmanual.com>

<http://aubethermostatmanual.com>

Golf course search by state

<http://golfingnear.com>

Email search by domain

<http://emailbydomain.com>

Auto manuals search

<http://auto.somanuals.com>

TV manuals search

<http://tv.somanuals.com>