

EC220 CD

Instructions for use | COFFEE MAKER



- A) If your appliance comes fitted with a plug, it will incorporate a 13 Amp fuse. If it does not fit your socket, the plug should be cut off from the mains lead, and an appropriate plug fitted, as below.

WARNING: Very carefully dispose of the cut off plug after removing the fuse: do not insert in a 13 Amp socket elsewhere in the house as this could cause a shock hazard.

With alternative plugs not incorporating a fuse, the circuit must be protected by a 15 Amp fuse. If the plug is a moulded-on type, the fuse cover must be re-fitted when changing the fuse using a 13 Amp Asta approved fuse to BS 1362. In the event of losing the fuse cover, the plug must NOT be used until a replacement fuse cover can be obtained from your nearest electrical dealer. The colour of the correct replacement fuse cover is that as marked on the base of the plug.

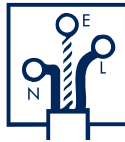
- B) If your appliance is not fitted with a plug, please follow the instructions provided below:

WARNING - THIS APPLIANCE MUST BE EARTHED

IMPORTANT

The wires in the mains lead are coloured in accordance with the following code:

Green and yellow:	Earth
Blue:	Neutral
Brown:	Live

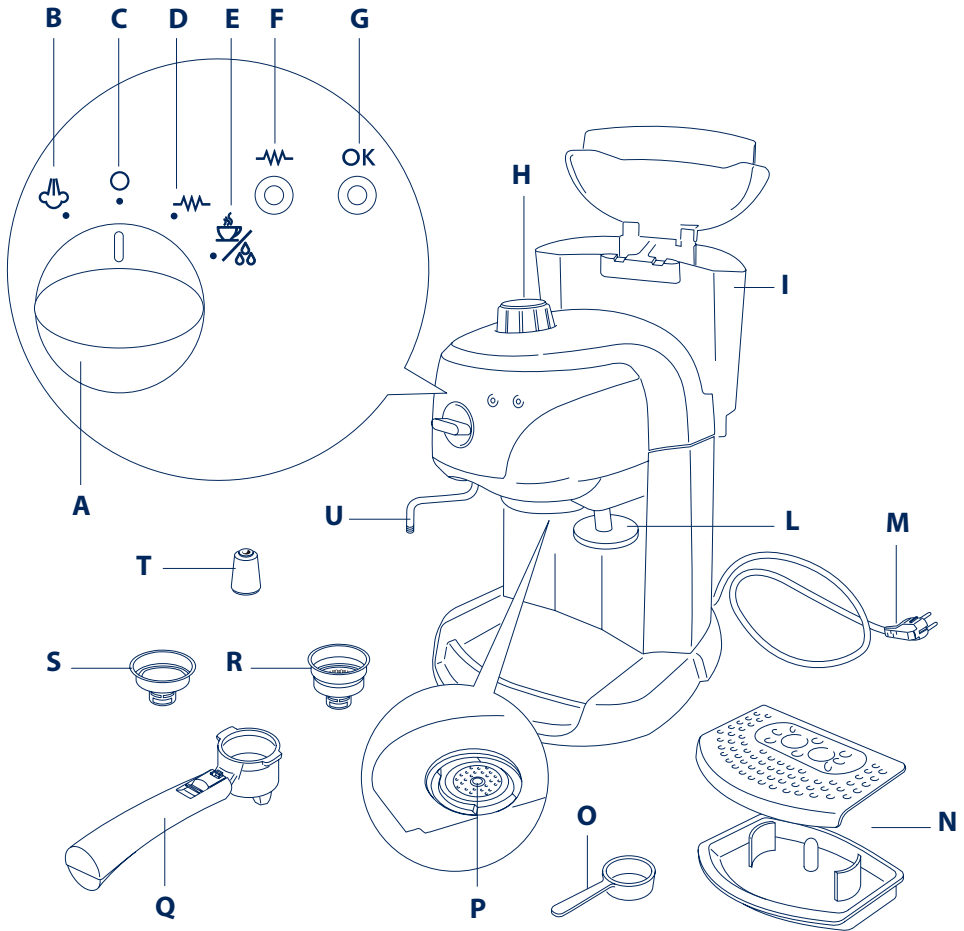


As the colours of the wires in the mains lead may not correspond with the coloured markings identifying the terminals in your plug, proceed as follows:

The green and yellow wire must be connected to the terminal in the plug marked with the letter E or the earth symbol  or coloured green or green and yellow.

The blue wire must be connected to the terminal marked with the letter N or coloured black.

The brown wire must be connected to the terminal marked with the letter L or coloured red.



Description of appliance

- A Selector dial
- B Steam position
- C "OFF" position
- D "ON"/heating position
- E Coffee/hot water dispensing position
- F "ON" light
- G OK light for espresso coffee or steam
- H Steam dial
- I Water tank
- L Coffee tamper
- M Supply lead
- N Cup tray
- O Measure
- P Boiler outlet
- Q Filter-holder cup
- R 2-cup coffee filter
- S 1-cup coffee filter
- T Cappuccino-nozzle
- U Steam/hot water dispensing tube

Technical data

- Mains voltage: 220-240V 50/60Hz
- Power input: 1100W
- Dimensions: L x W x H : 195x285x240 (330) mm
- Boiler: Stainless steel
- Pressure: 15 bar
- Water tank capacity: 1 L
- Supply lead length: 1,2 m
- Weight: 3.3 kg

Symbols used in these instructions

Important warnings carry these symbols. These warnings must be strictly observed.

Danger!

Failure to comply can be or is the cause of injury due to life-threatening electric shocks

Important!

Failure to comply can be or is cause of injury or damage to the appliance.

Scalding hazard!

Failure to comply can be or is the cause of scalding or burns.

Please note:

This symbol highlights recommendations and important information for the user.

Essential advice regarding safety

Danger!

As the appliance operates on electric current, the possibility of electric shocks cannot be excluded.

It is therefore important to comply with the following safety warnings:

- Do not touch the appliance when you have wet hands or feet.
- Never touch the plug with damp hands.
- Make sure the socket used is freely accessible at all times, enabling the appliance to be unplugged when necessary.
- If you wish to remove the plug from the socket, hold the plug itself. Never pull the power cable as you could damage it.
- Remove the plug from the socket to disconnect the appliance completely.
- If the appliance breaks down, do not attempt to repair it. Turn off the appliance, remove the plug from the mains socket and contact the Technical Assistance service.
- If the plug or power cable are damaged, to avoid any possible risks they must only be replaced by the De'Longhi Technical Assistance service.

Important!

Keep the packaging material (plastic bags, expanded polystyrene) out of the reach of children.

Important!

Do not allow the appliance to be used by persons (including children) with psychological, physical or sensory impairments or with inadequate experience or knowledge, unless closely supervised and instructed by someone responsible for their safety. Children should be supervised and not allowed to play with the appliance.

Scalding hazard!

This appliance produces hot water and steam may form when it is operating.

Take care not to come into contact with jets of hot water or steam.

Do not touch the cup warmer plate when the appliance is on, because it is hot.

Use in conformity with purpose

This appliance is manufactured for the preparation of coffee, and to heat beverages.

This appliance is intended solely for domestic use. It is not meant to be used in:

- rooms used as kitchens by the staff of shops, offices and other work-places
- farmhouse holiday accommodation
- hotels, motels and other places offering hospitality
- room lets

Any other use must be considered improper and therefore dangerous. The manufacturer is not liable for damage resulting from improper use of the appliance.

Instructions for use

Read these instructions carefully before using the appliances. Failure to respect these instructions may result in burns or damage to the appliance.


The manufacturer is not liable for damage resulting from the failure to comply with the user instructions.

Please note:

Keep these instructions carefully. If this appliance is ever passed on to other persons, ensure that they are also given these instructions for use.

Please note: before first use

Before using for the first time, all the internal pipes of the appliance should be well rinsed. Proceed as if making coffee, repeating until at least two tanks of water have been emptied out. The coffee can then be prepared.

 **Important!** It is advisable to de-scale the machine after the preparation of every 200 cups of coffee.

Check after delivery

After removing the packaging, make sure the product is complete and undamaged and that all accessories are present. Do not use the appliance if it is visibly damaged. Contact the Customer Experience Service. See enclosed guarantee.

Disposal



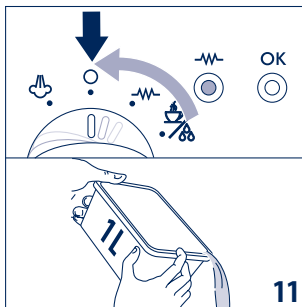
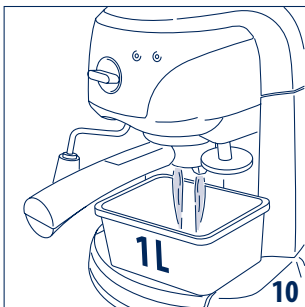
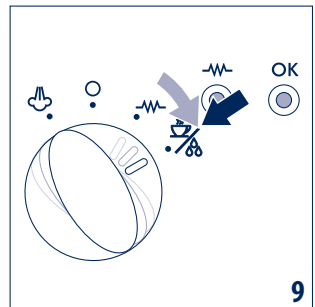
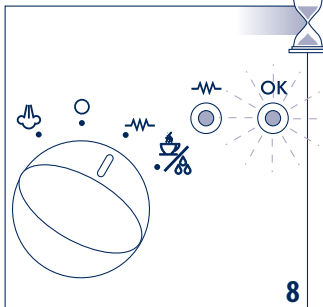
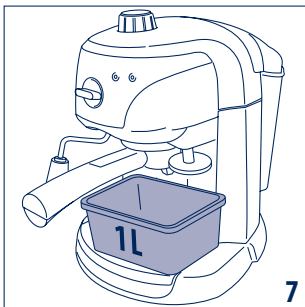
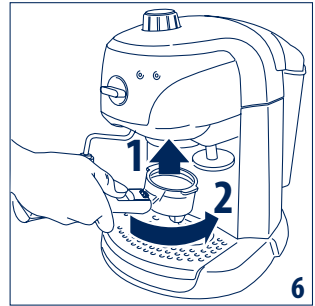
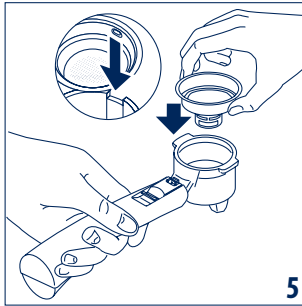
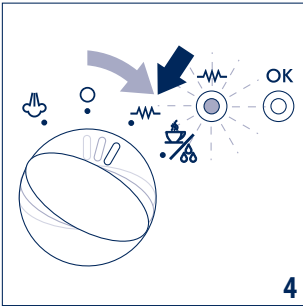
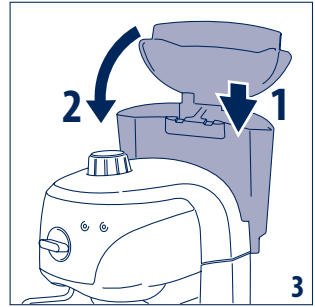
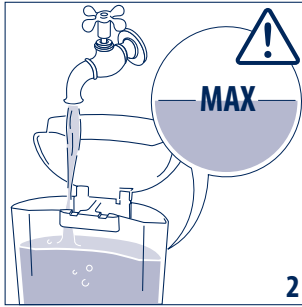
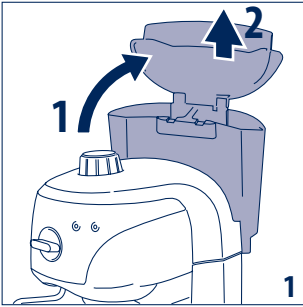
Recommendations for the correct disposal of the product in compliance with the 2002/96/EC European Directive. The product must not be disposed of as urban waste at the end of its working life.

It must be taken to appropriate local authority separate waste collection centres or to dealers providing this service. Disposing of a household appliance separately avoids possible negative consequences for the environment and health resulting from unsuitable disposal, and allows for recovery of its constituent materials, thus promoting significant savings in energy and resources.

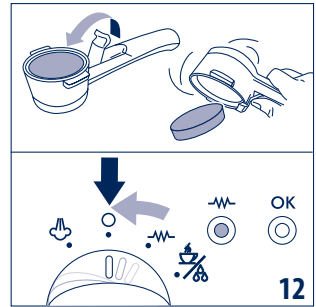
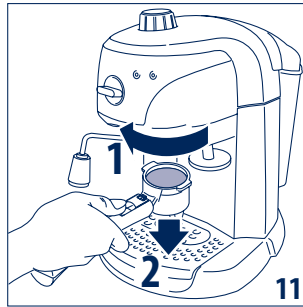
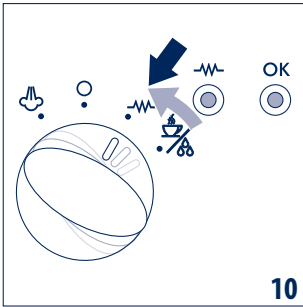
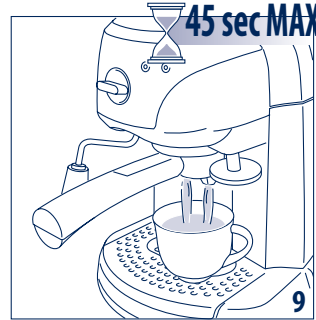
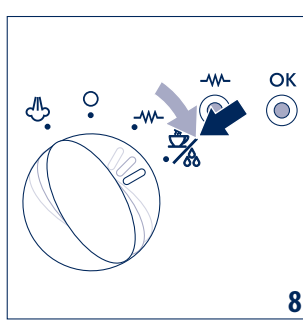
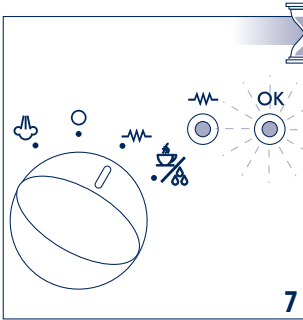
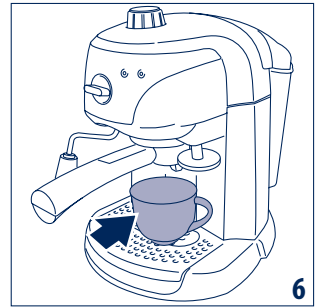
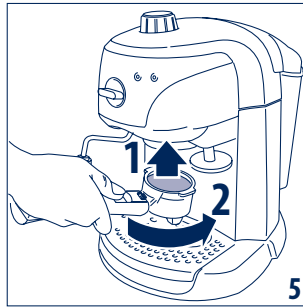
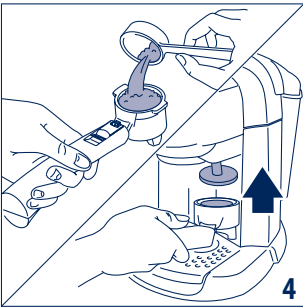
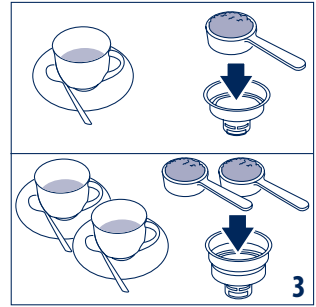
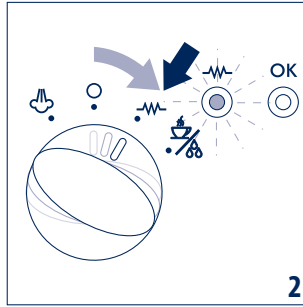
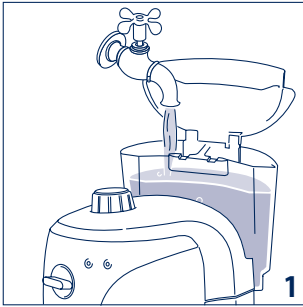
As a reminder of the obligation to dispose of household appliances separately, the product carries the symbol of a movable refuse bin with a cross.

 The appliance is in compliance with the following EC Directives:

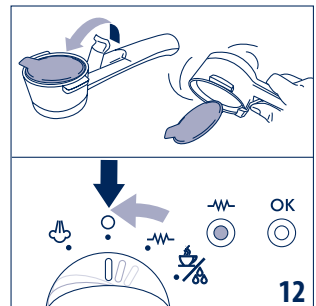
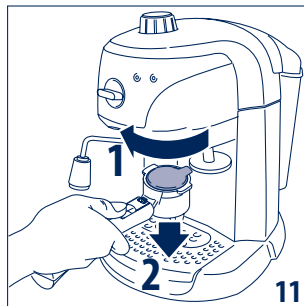
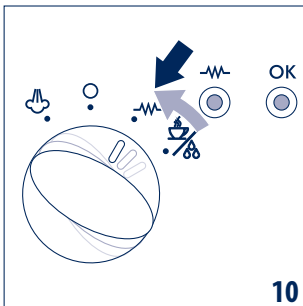
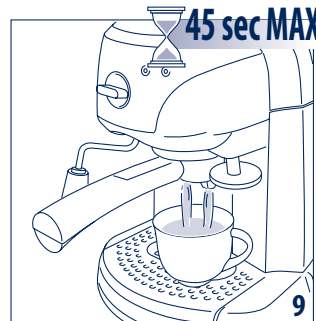
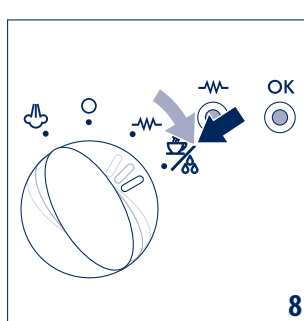
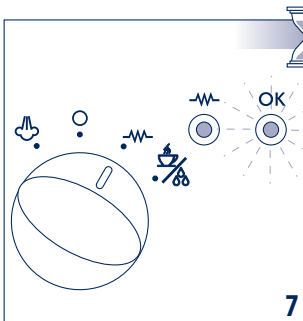
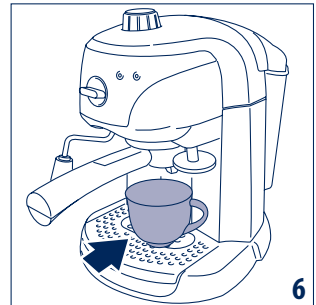
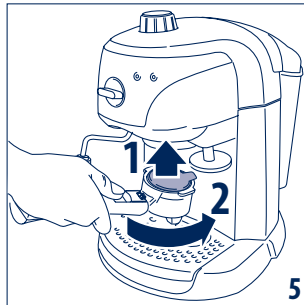
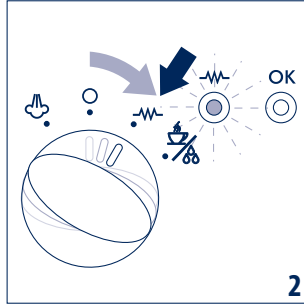
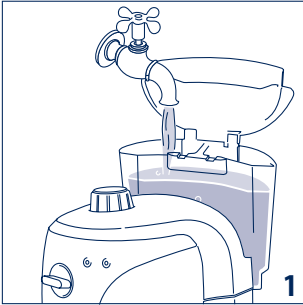
- Low Voltage Directive 2006/95/EC and subsequent amendments;
- EMC Directive 2004/108/EC and subsequent amendments;
- Materials and objects intended to come into contact with food must conform to the requirements of European Regulation 1935/2004.



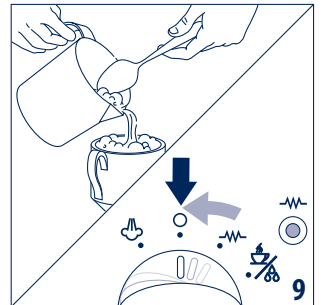
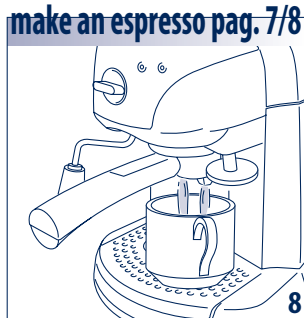
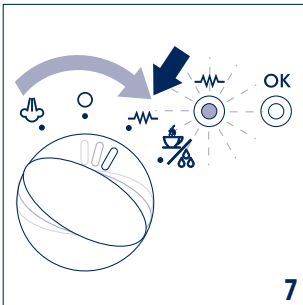
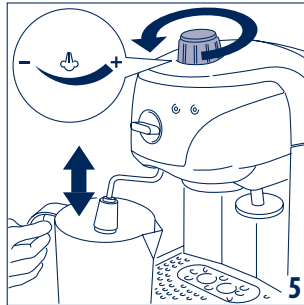
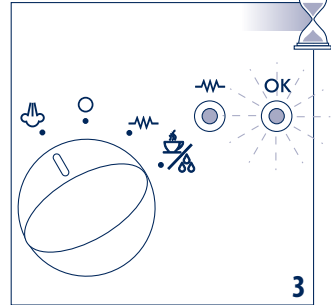
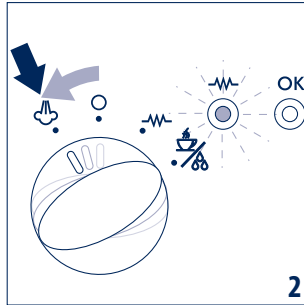
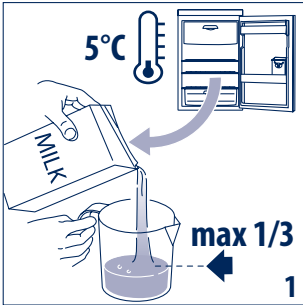
espresso with ground coffee



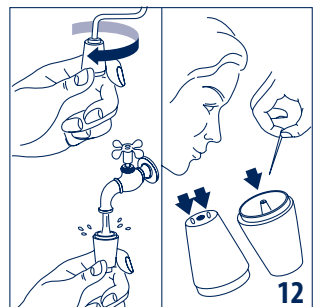
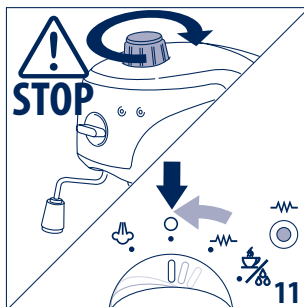
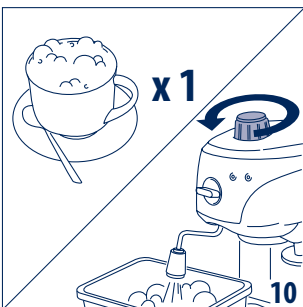
espresso with pods

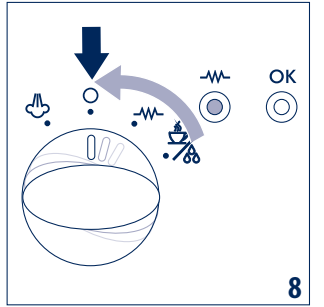
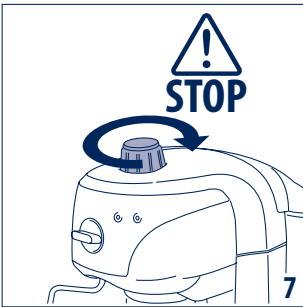
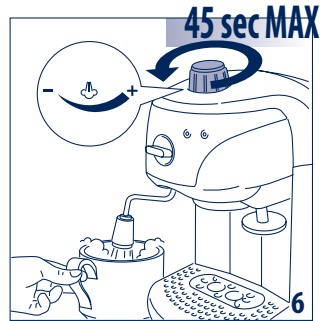
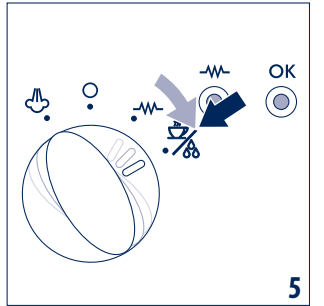
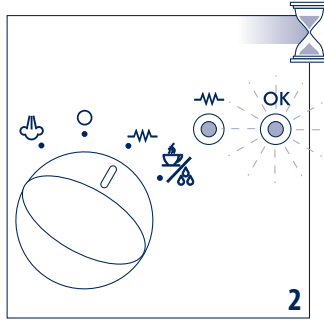
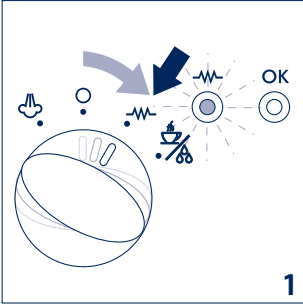


cappuccino



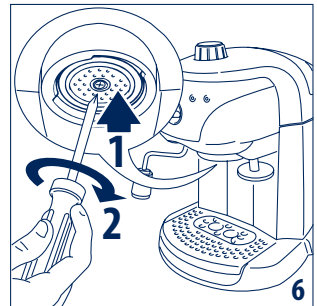
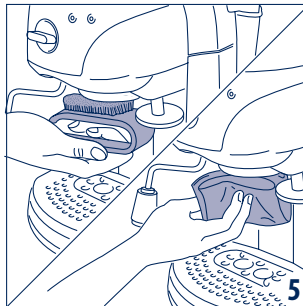
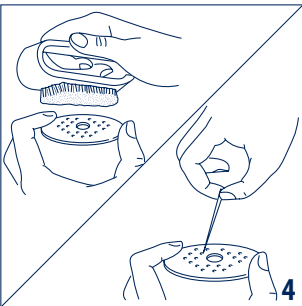
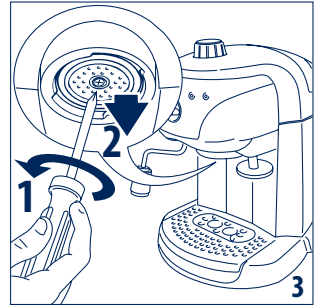
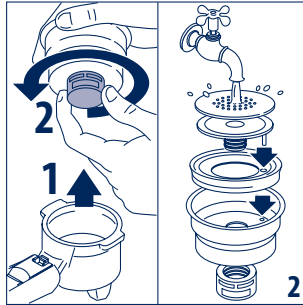
cleaning after cappuccino



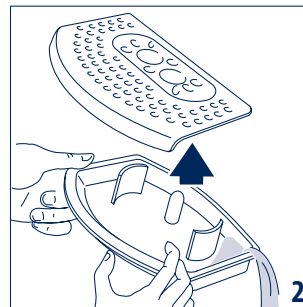
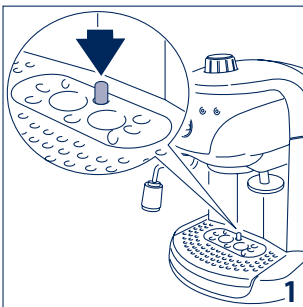


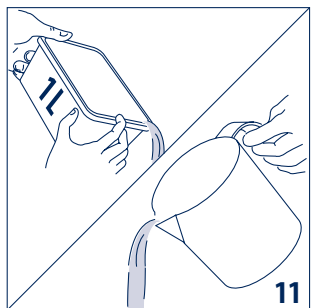
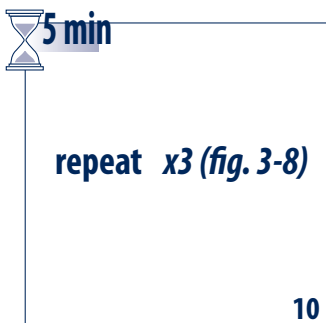
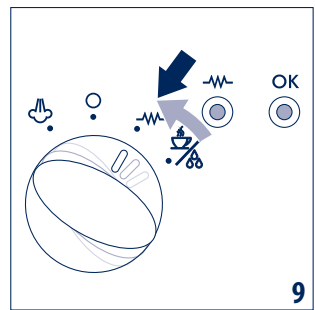
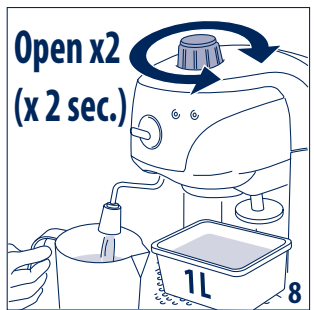
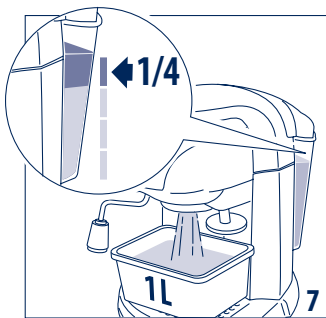
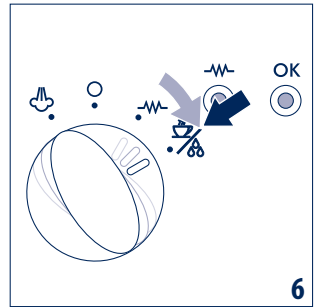
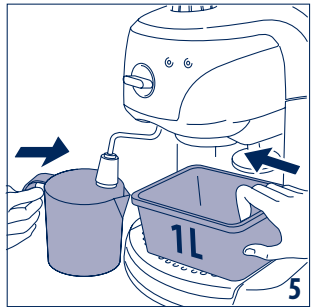
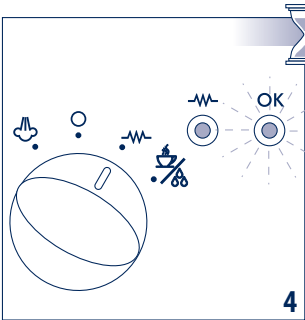
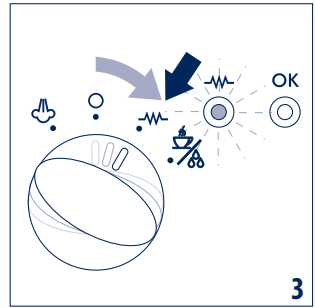
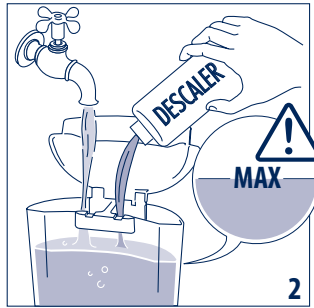
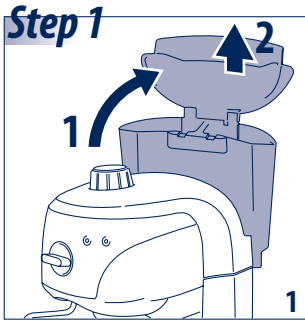
regular cleaning

espresso

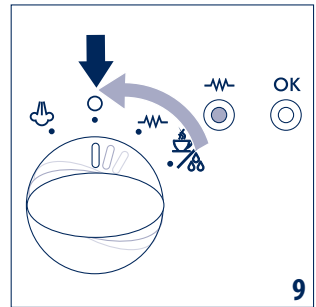
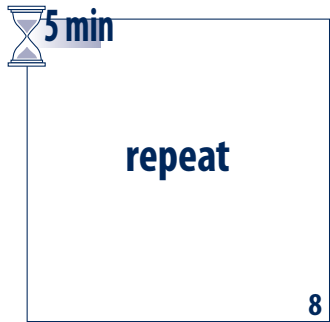
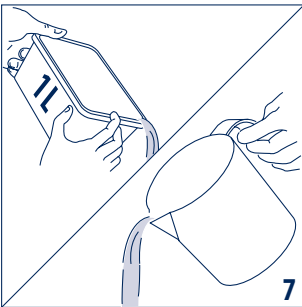
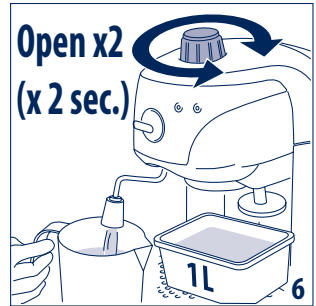
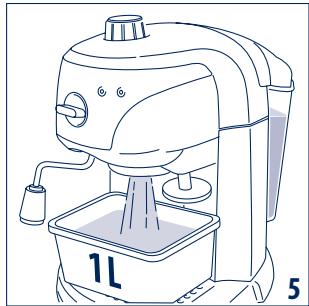
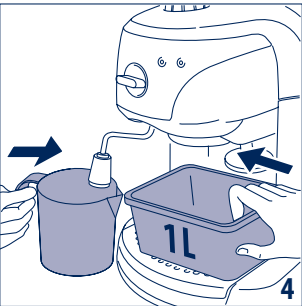
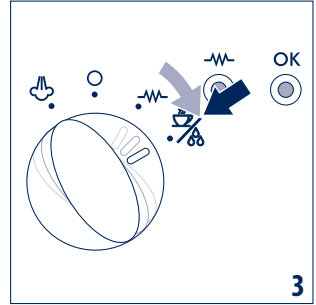
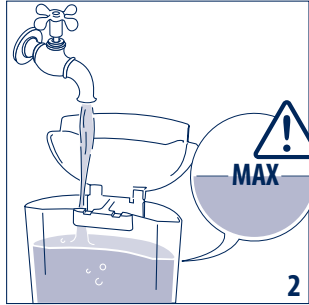
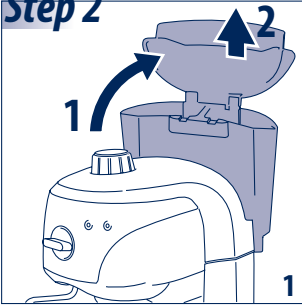


maintenance





Step 2



If something does not work...

Problem	Possible causes	Solution
Espresso coffee does not flow out	No water in the tank	Fill the water tank
	The holes in the filter-holder are blocked	Clean the holes in the filter-holder spouts
	The espresso boiler outlet is blocked	Carry out the cleaning operation as described in the paragraph headed "Cleaning"
Espresso coffee drips from the edges of the filter-holder instead of through the holes	The filter-holder is inserted incorrectly	Attach the filter-holder correctly and turn it firmly until fully home
	The espresso boiler gasket has lost elasticity	Obtain a replacement for the espresso boiler gasket from your Service Centre. See enclosed guarantee.
	The holes in the filter-holder spout are blocked	Clean the holes in the spouts.
The espresso coffee is cold	The OK light for making espresso is not alight at the time the coffee-dispenser button is pressed	Wait for the OK light to come on
	Pre-heating has not been carried out	Carry out the pre-heating operation as described in the paragraph headed "Pre-heating"
	The cups have not been pre-heated	Pre-heat the cups using hot water
Loud pump noise	The water tank is empty	Fill up the tank
	The tank is improperly inserted and the valve on its base is not open	Put light pressure on the tank to open the valve on its base
The consistency of the coffee is thin and pale (it emerges rapidly from the spout)	The ground coffee is insufficiently tamped	Increase tamping of ground coffee
	The quantity of ground coffee is insufficient	Increase the amount of ground coffee
	The coffee is too coarsely ground	Only use ground coffee designed for use with espresso coffee machines
	The ground coffee is not the correct type	Change the type of ground coffee used
The consistency of the coffee is thick and dark (it emerges slowly from the spout)	The ground coffee has been tamped too firmly	Tamp the coffee less firmly
	Too much ground coffee has been used	Reduce the quantity of ground coffee
	The outlet of the espresso boiler is clogged up	Carry out the cleaning operation, as described in the paragraph headed "Cleaning"
	The filter is blocked	Carry out the cleaning operation, as described in the paragraph headed "Cleaning"
	The coffee is too finely ground	Only use ground coffee for espresso coffee machines
	The ground coffee is too fine, or is damp	Only use ground coffee for espresso coffee machines and ensure it is not too damp
	The ground coffee is not the correct type	Change the type of ground coffee powder
The milk does not froth when making a cappuccino	The milk is not cold enough	Always use semi skimmed milk straight from the refrigerator at 5°C
	The cappuccino-nozzle is dirty	Clean the small holes in the cappuccino-nozzle carefully, especially those indicated in the diagram



De'Longhi Appliances
via Seitz, 47
31100 Treviso Italia

Free Manuals Download Website

<http://myh66.com>

<http://usermanuals.us>

<http://www.somanuals.com>

<http://www.4manuals.cc>

<http://www.manual-lib.com>

<http://www.404manual.com>

<http://www.luxmanual.com>

<http://aubethermostatmanual.com>

Golf course search by state

<http://golfingnear.com>

Email search by domain

<http://emailbydomain.com>

Auto manuals search

<http://auto.somanuals.com>

TV manuals search

<http://tv.somanuals.com>