



INSTALLATION and SERVICE INSTRUCTIONS  
USE and CARE INSTRUCTIONS

**DOMINO**  
**VITROCERAMIC HOB**  
**model DE302HB**



distributed by  
**DèLonghi**  
Pty Ltd

***Dear Customer,***

*Thank you for having purchased and given your preference to our product.*

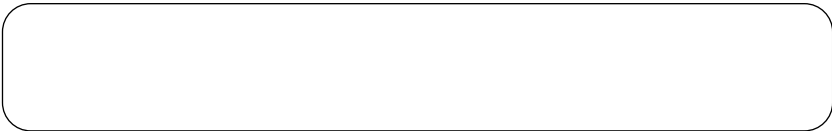
*The safety precautions and recommendations reported below are for your own safety and that of others. They will also provide a means by which to make full use of the features offered by your appliance.*

*Please keep this booklet in a safe place. It may be useful in future, either to yourself or to others in the event that doubts should arise relating to its operation.*

***This appliance must be used only for the task it has explicitly been designed for, that is for cooking foodstuffs. Any other form of usage is to be considered as inappropriate and therefore dangerous.***

***The manufacturer declines all responsibility in the event of damage caused by improper, incorrect or illogical use of the appliance or by faulty installation.***

## PRODUCT LABEL



---

This cooktop has been designed and constructed in accordance with the following codes and specifications:

AS/NZS 60335.1    General Requirements for Domestic electrical appliances  
AS/NSZ 60335.2.6    Particular Requirements for Domestic electrical cooking appliances  
AS/NZS CISPR 14.1    Electromagnetic Compatibility Requirements.

## BEFORE USING FOR THE FIRST TIME

- Read the instructions carefully before installing and using the appliance.
- After unpacking the appliance, make sure it is not damaged. In case of doubt, do not use the appliance and contact your supplier or a qualified engineer.
- Remove all packaging and do not leave the packing material (plastic bags, polystyrene, bands etc) in easy reach of children as they may cause serious injury. The packaging materials are recyclable.
- The appliance should be installed and all the electrical connections made by a qualified engineer in compliance with local regulations in force and following the manufacturer's instructions.
- Do not attempt to modify the technical properties of the appliance, as it may become dangerous to use.

## IMPORTANT SAFEGUARDS & RECOMMENDATIONS

- Do not carry out any cleaning or maintenance without first disconnecting the appliance from the electrical supply.
- During and after use of the hob, certain parts will become very hot. Do not touch hot parts.
- After use always ensure that the control knobs are in the "0" OFF position.
- Household appliances are not intended to be played with by children.
- Keep children away from the hob during use.
- Children, or persons with a disability which limits their ability to use the appliance, should have a responsible person to instruct them in its use. The instructor should be satisfied that they can use the appliance without danger to themselves or their surroundings.

### • **WARNING**

When correctly installed, your product meets all safety requirements laid down for this type of product category. However special care should be taken around the underneath of the appliance as this area is not designed or intended to be touched and may contain sharp or rough edges, that may cause injury.

- **Fire Risk!** Do not leave inflammable materials on the Hob top.
- Make sure that electrical cords connecting other appliances in the proximity cannot come in to contact with the Hob top.
- Do not allow heavy or sharp objects to drop on the glass ceramic hob. If the hob is cracked or damaged, disconnect the appliance from the electrical supply and call the after-sales service.
- Do not scratch the hob with sharp objects. Don't use the hob as a work surface.
- Before disposing of an unwanted appliance, it is recommended that it is made inoperative and that all potentially hazardous parts are made harmless.
- **Important:** This appliance has been designed for domestic use only. The appliance is NOT suitable for use within a semi-commercial, commercial or communal environment.
- **If the supply cord is damaged, it must be replaced by the manufacturer or its service agent or a similarly qualified person in order to avoid a hazard.**
- Do not operate your appliance by means of an external timer or separate remote-control system.

# INSTALLATION

## CAUTION:

This appliance shall only be serviced by authorized personnel.

- This appliance is to be installed only by an authorised person according to the current local regulations and in observation of the manufacturer's instructions.
- Incorrect installation, for which the manufacturer accepts no responsibility, may cause personal injury or damage.
- Always disconnect the cooktop from mains power supply before carrying out any maintenance operations or repairs.

## WARNING !

- We would point out that the adhesive which bonds the plastic laminate to the furniture must withstand temperatures not less than 150 °C to avoid delamination.
- The appliance must be housed in heat resistant units.
- The walls of the units must be capable of resisting temperatures of 75 °C above room temperature.

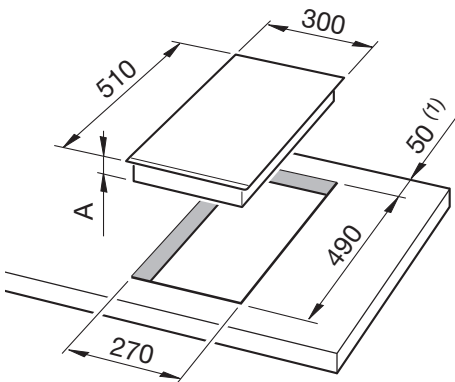


Figure 1

A	45,2 mm	from the top of countertop to bottom metal cover
	63,5 mm	from the top of countertop to terminal block

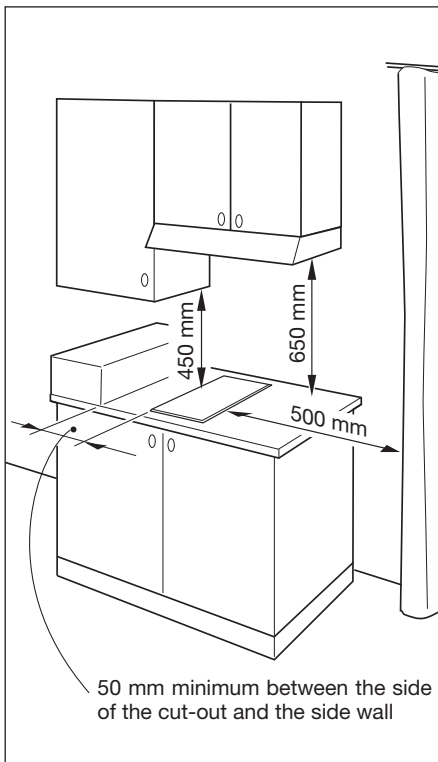
(1): at least 50 mm between the back side of the cut-out and the back of the countertop.

This cooktop can be built into a working surface 20 to 40 mm thick and 600 mm deep.

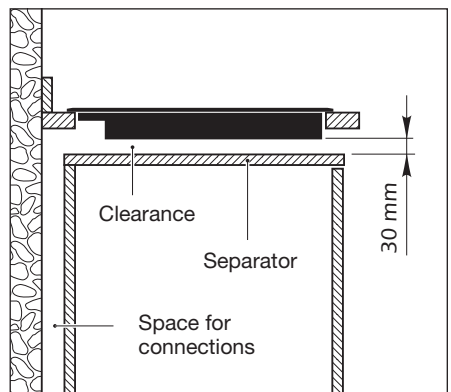
In order to install the ceramic hob into the kitchen fixture, a hole with the dimensions shown in figure 1 has to be made, keeping in consideration the following:

- Within the unit, between the bottom of the hob and the upper surface of a shelf there must be a clearance of at least 30 mm (fig. 2b).
  - It is absolutely essential that you place a separator between the base of the hob and the built-in unit.
  - If the hob is installed over a built-in oven, there must be a distance of at least 30 mm between the two appliances. The oven shall be provided with cooling fan. The two appliances should be connected to the electrical supply with independent connections.
  - The ceramic hob must be kept no less than 50 mm away from any side wall.
  - The rear wall must be at least 50 mm from the ceramic hob.
  - There must be a distance of at least 650 mm between the hob and any wall cupboard or extractor hood positioned immediately above (see fig. 2a).
  - The coatings of the walls of the unit or appliances near the cooktop must be heat resistant.
- **Do not install the appliance near inflammable materials (eg. curtains).**

**Figure 2a**



**Figure 2b**

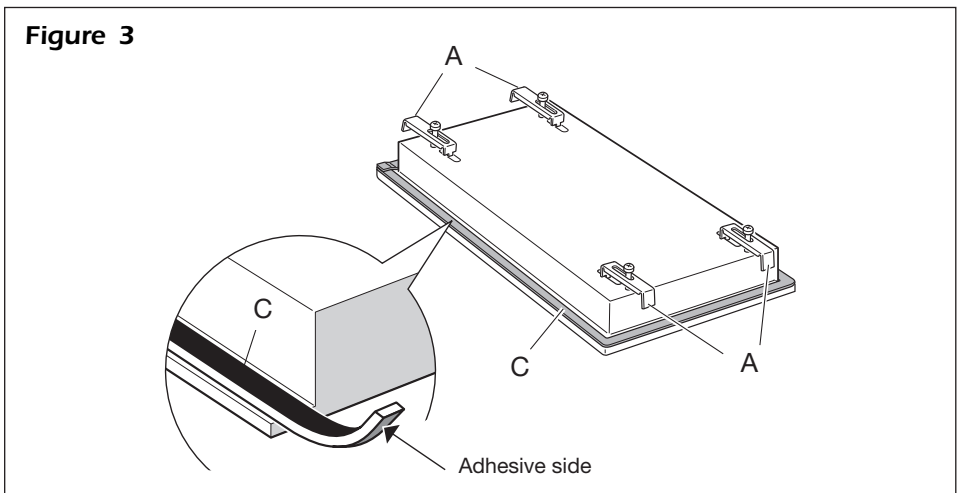
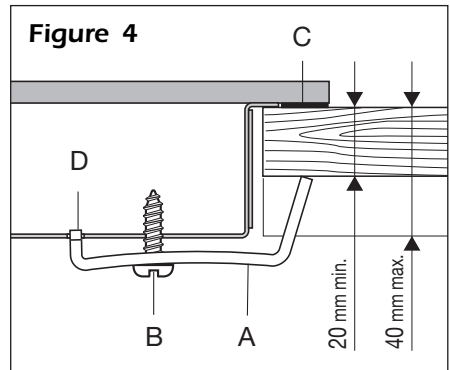


## FASTENING THE COOKTOP

Each cooktop is supplied with a set of tabs and screws to fasten it on units with a working surface from 2 to 4 cm deep.

The kit includes 4 tabs **A** and 4 self-threading screws **B** (fig. 4).

- Cut the unit.
- Turn the hob upside down and rest the glass side on a cloth.
- Spread the seal **C** around the edge of the hob (fig. 3).
- Put tabs **A** into the mountings; only tighten screws **B** a few turns. Make sure that the tabs are mounted correctly as shown in the figure 4.
- Put the cooktop into the hole cut into the unit and position it correctly.
- Put tabs **A** into place, tooth **D** of the tabs should go into the hole.
- Tighten screws **B** until the cooktop is completely secured.
- Using a sharp tool cut off the part of gasket **C** which protrudes from the cooktop. Take care not to damage the workbench.



# ELECTRICAL SECTION

**IMPORTANT:** Installation must be carried out according to the manufacturer's instructions. Incorrect installation may cause harm and damage to people, animals or property, for which the manufacturer accepts no responsibility.

Before carrying out any work on the electrical section of the appliance, it must be disconnected from the mains.

Connection to a good earth wiring system is absolutely essential.

The manufacturer accepts no responsibility for any inconvenience caused by failure to comply with this rule.

## ELECTRICAL REQUIREMENTS

- Connection to the electric power supply must be carried out by a qualified technician and following the appropriate safety regulations.
- The appliance must be connected to the mains checking that the voltage corresponds to the value given in the rating plate and that the electrical cable sections can withstand the load specified on the plate.
- If the hob is supplied without plug, fit a standard plug which is suitable for the power absorbed by the appliance and in conformity with the local rules in force.
- The plug must be put into a socket connected to the earth system in compliance with safety rules.
- A suitable isolating switch providing full disconnection from the mains power supply (under overvoltage category III conditions) shall be incorporated in the permanent wiring, mounted and positioned to comply with the local wiring rules and regulations. The isolating switch must be of an approved type and provide a 3 mm air gap contact separation in all poles (or in all active [phase] conductors if the local wiring rules allow for this variation of the requirements).
- The power supply cable must not touch the hot parts and must be positioned so that it does not exceed 50°C above ambient.
- Once the appliance has been installed, the power switch or power plug must always be in a accessible position.

**N.B. For connections to the mains power supply, never use adaptors, reductions or multiple power points as these may overheat and catch fire.**

In the event that installation should require modifications to the mains supply wiring system, it is recommended that a qualified technician be called to carry out substitution. The technician will also have to verify that the cross-section of the electric cables on the power point match the appliance's power rating.

**If the hob surface is cracked disconnect the appliance from the mains and contact the After-Sales Service.**

# REPAIRS

## Replacing the supply cable

Turn the cooktop over and unhook the terminal board cover by inserting a screwdriver into the two hooks "A".

Open the cable gland by unscrewing screw "F", unscrew the terminal screws and remove the cable.

The new supply cable, of suitable type and section, is connected to the terminal board following the diagrams shown below.

Figure 5

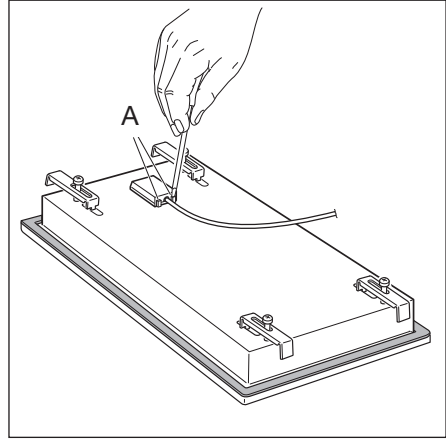
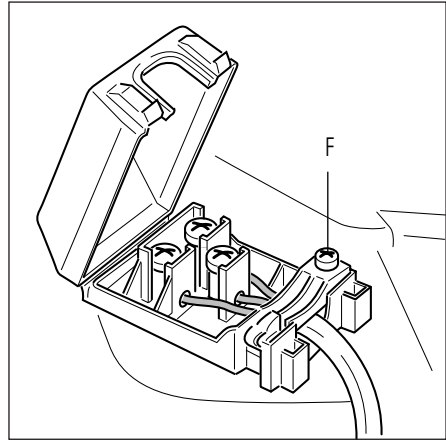


Figure 6



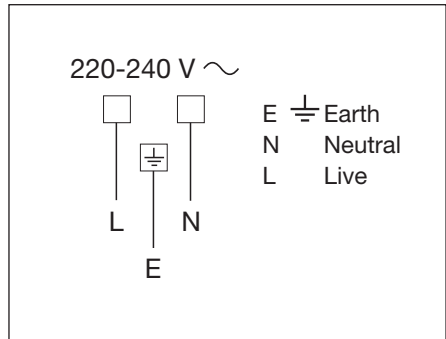
## SECTION OF THE SUPPLY CABLE

### Use H05RR-F cables

220-240 V ~, 50/60 Hz, 2900 W (12.6 A)

section: 3 x 1,5 mm<sup>2</sup>

Figure 7

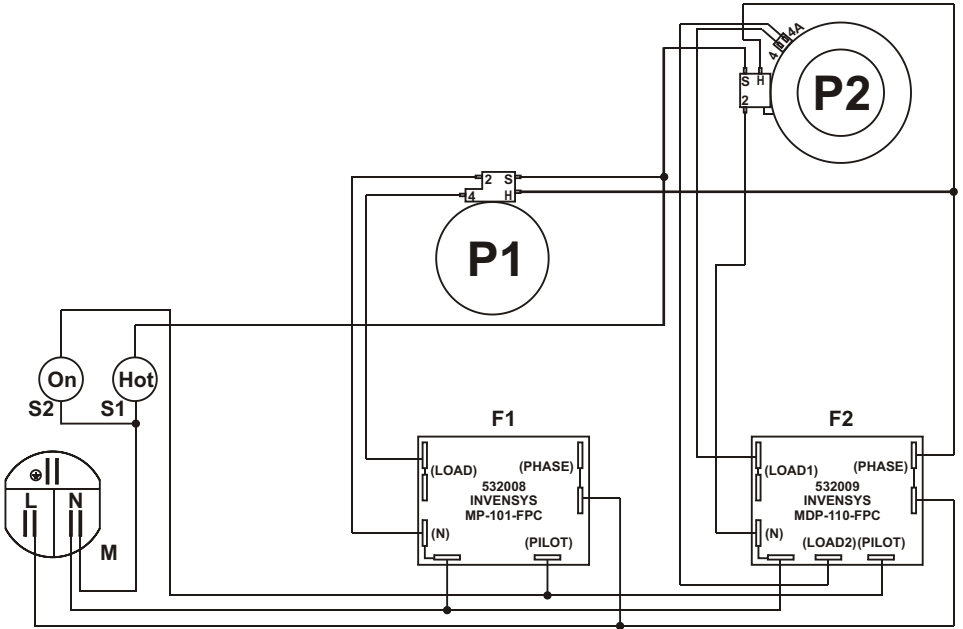


**WARNING:** If the power supply cable is damaged, it must be replaced only by an authorised service agent in order to avoid a hazard.



# ELECTRIC DIAGRAM

Figure 8

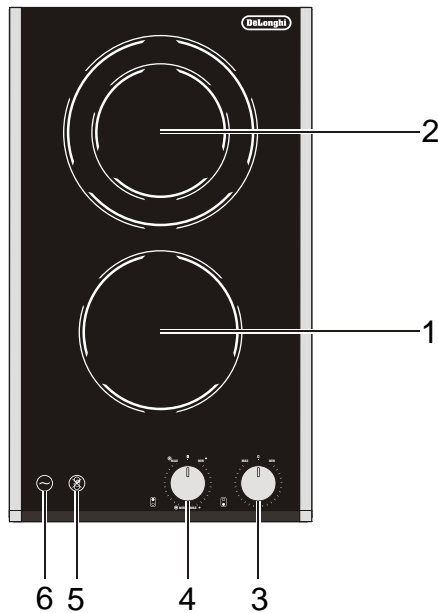


## ELECTRIC DIAGRAM KEY

- F1** Radiant heater energy regulators
- F2** Radiant heater energy regulators
- S2** Line pilot lamp
- S1** Radiant heaters pilot lamp
- P1/P2** Radiant heaters
- M** Terminal block
- T** Earth connection

# VITROCERAMIC HOB

Figure 9



## FEATURES

- **Electrical insulation Class I.**

## GENERAL FEATURES

1. Hi-light cooking zone  $\varnothing$  140 mm - 1200 W
2. Double hi-light cooking zone  $\varnothing$  180/120 mm - 1700/700 W

## CONTROL PANEL DESCRIPTION

3. Hotplate 1 control knob
4. Hotplate 2 control knob
5. Residual heat indicator light
6. Power ON indicator light

# How to use your Ceramic Hob

The ceramic surface of the hob allows a fast transmission of heat in the vertical direction, from the heating elements underneath the ceramic glass to the pans set on it. The heat does not spread in a horizontal direction, so that the glass stays “cool” at only a few centimeters from the cooking plate.

The cooking zones are shown by painted disks on the ceramic surface.

Before switching on the cooktop make sure that it is clean.

## IMPORTANT NOTE:

The heating elements incorporate a thermolimiter that switches the element ON/OFF during all settings to protect the ceramic glass from overheating.

The use of incorrect pans and/or wrong pan positioning will cause the temperature limiter to operate more frequently, resulting in a reduction of cooking performance.

The temperature limiter can be seen under the glass dissecting the element.

This is not a fault with the appliance.

## HI-LIGHT SINGLE ZONE (fig.10)

The heating element is formed of a coil of resistant material which reaches the working temperature quickly.

This zone is controlled by a continuous energy regulator switch (fig. 11).

The heat intensity can be regulated continuously from “MIN” to “MAX”.

Check that the hob is clean and then switch on by turning the control knob.

When the hob is working, the pilot light


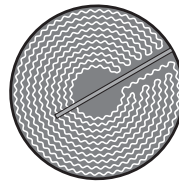
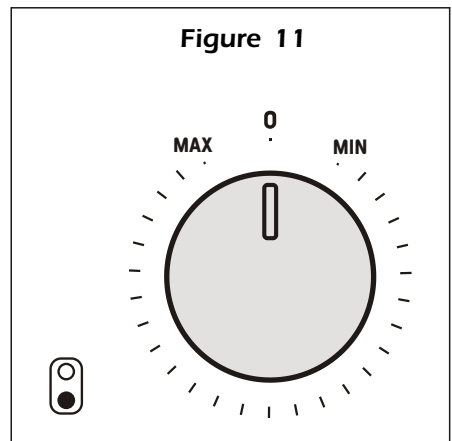
 will be on.

Figure 10



Hi-light single cooking zone

Figure 11



## HI-LIGHT DOUBLE ZONE (fig. 12)

The heating element is formed of a 2 coils of resistant material which reaches the working temperature quickly.

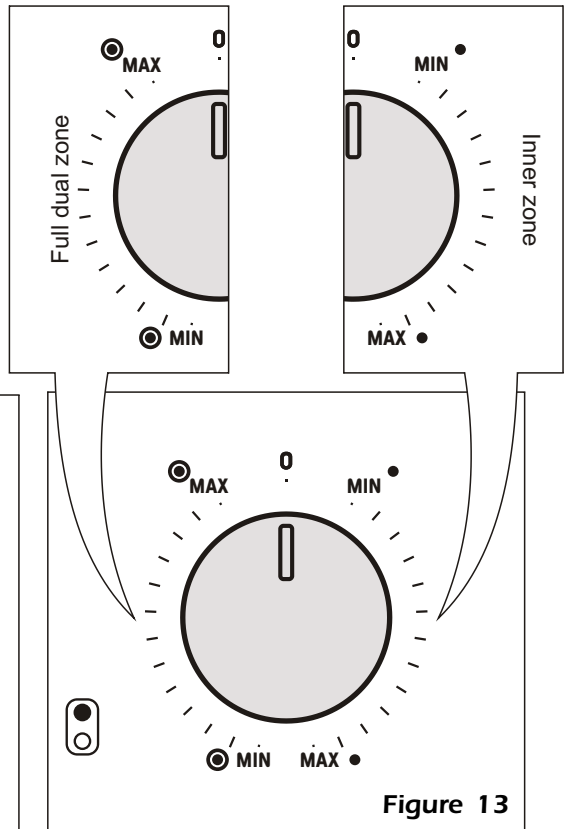
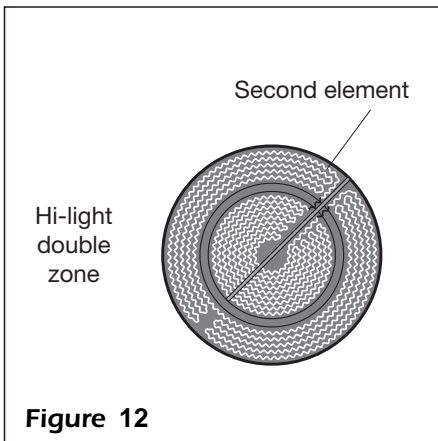
These zones are controlled by a continuous energy regulator switch (fig. 13).

You may choose to use the inner zone only (●) or the full dual cooking zone (⊙).

The heat intensity can be regulated continuously from "MIN" to "MAX".

Check that the hob is clean and then switch on by turning the control knob.

When the hob is working, the pilot light  will be on.



## RESIDUAL HEAT INDICATOR

The hob also features a warning lamp which is wired to the cooking zones.

When the temperature of a cooking plate is over 60°C, the warning lamp is also lit-up to warn of heat on the surface of the hob.

This lamp also stays on after the cooking plates have been switched off to shown that the hob surface is still hot.

This residual heat will lasts for a long time after the cooking plate has been switched off.

**During this time you should avoid touching the hob surface over the cooking area.**

**Please pay special attention to ensure that children are not allowed near the hob.**

The lamp will switch off automatically as soon as the surface temperature of the cooking zone falls below 60°C.

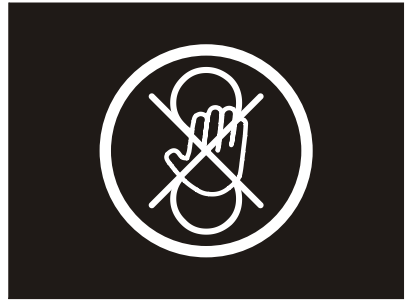


Figure 14

## COOKING HINTS

- To reduce the cooking time, you can turn the control knob to the max when you switch the plate on. After a short time you will set the control knob to the required position for the cooking.
- You should use pots and pans with flat bases (pans with the test mark for glass-ceramic hobs are available from specialist shops).
- The diameter of the pan should match that of the cooking plate (or be slightly bigger) to make the most of the energy.
- Since the cooking surface stays hot for a certain time after the plate has been switched off, you can switch it off 5 or 10 minutes before the end of the cooking. The residual heat of the hob will complete the cooking.
- To save electricity, use pan lids whenever possible.

**Never cook the food directly on the glass ceramic cooktop, but in special pans or containers.**

**WARNING: Hobs become very hot with use, and retain their heat for a long time after cooking has finished (about 30 minutes). Children should be supervised at all times and be prevented from touching the hot surfaces, until such time as the appliance has cooled.**

## SAFETY HINTS

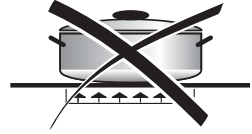
- Before you switch the hob on, make sure you know which knob controls the required cooking zone. We advise you to set the pan over the cooking zone before switching it on.
- Do not use pots and pans with rough bases (pay attention to cookware made of cast-iron). Rough bases can damage the glass surface of the hob (scratches).
- Always ensure that the base of your saucepan is clean and dry before placing on the hob.
- Pots with aluminium bottoms may leave silver streaks or spots on the hob.
- Do not leave wet or damp lids on the hob.
- The glass-ceramic surface and pans must be clean. Carefully eliminate any food remains (especially containing sugar), dirt etc. with the aid of a cleansing agent.
- Pan handles should never stand out beyond the kitchen worktop, as there is a great danger of knocking the pan over.

**This will also ensure that children cannot reach them.**

- **Do not use the hob if the glass surface is broken or cracked in any way. Please disconnect the hob from the mains and contact the after-sales service.**
- Do not lean over the cooking plate when in use.
- Do not lay cooking foil or plastic materials on the ceramic surface when it is hot.
- Remember that the surface remains hot for a long time (about 30 min.) after the cooking plate has been switched off.
- Follow the cleaning instructions carefully.
- Never use the glass surface for storage.

**Figure 15**

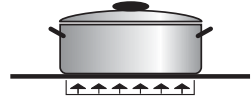
DISTORTED  
PANBASE  
**WRONG**



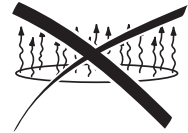
DISTORTED  
PANBASE  
**WRONG**



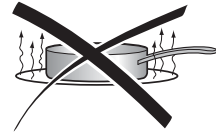
LEVEL  
PANBASE  
**CORRECT**



**WRONG**  
WASTING  
POWER



**WRONG**  
WASTING  
POWER



**WRONG**  
WASTING  
POWER



**CORRECT**  
COMPLETE USE  
OF THE HEAT



**DO NOT USE GLASSWARE ON CERAMIC HOBBS.  
DO NOT USE PANS WITH ROUGH CIRCULAR MACHINED BASE.**



**Figure 16**

# Cleaning and Maintenance

**Before you begin cleaning make sure that the hob is switched off.**

- Remove spillages and other types of incrustations.
- Dust or food particles can be removed with a damp cloth.
- If you use a detergent, please make sure that it is not abrasive or scouring. Abrasive or scouring powders can damage the glass surface of the hob.
- All traces of the cleaner must be removed with a damp cloth.
- Dust, fat and liquids from food that has boiled over must be removed as soon as possible.
- If they are allowed to harden they become increasingly difficult to remove.  
**This is especially true in the case of sugar/syrup mixtures which could permanently pit the surface of the hob if left to burn on it.**
- If any of these products has melted on the ceramic surface, you should remove it immediately (when the surface is still hot) by using a scraper to avoid any permanent damage to the surface of the hob (available under part no. 103138).
- Do not put articles on the hob which can melt: i.e plastic, aluminium foil, sugar, sugar syrup mixtures etc.
- Avoid using a knife or other sharp utensil as these may damage the ceramic surface.
- Do not use steel wool or an abrasive sponge which could scratch the surface permanently.
- Do not use cleaning products with a chlorine or acidic base.

## SIDE STAINLESS STEEL TRIMS

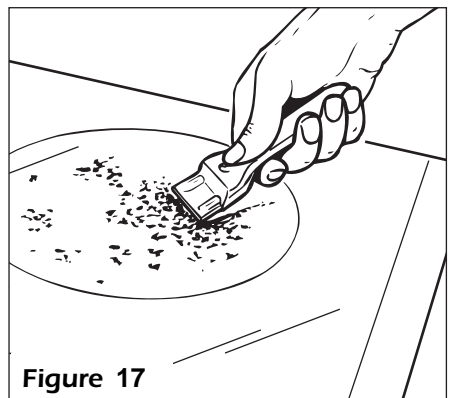
- Stainless steel parts must be rinsed with water and dried with a soft and clean cloth.
- For persistent dirt, use specific non-abrasive products available commercially or a little hot vinegar.

## CONTROL KNOBS

- The control knobs may be removed for cleaning but care should be taken not to damage the seal.

**Do not use harsh abrasive cleaners or sharp metal scrapers to clean the glass since they can scratch the surface, which may result in shattering of the glass.**

**Do not use a steam cleaner because the moisture can get into the appliance thus make it unsafe.**



**Figure 17**

Descriptions and illustrations in this booklet are given as simply indicative. The manufacturer reserves the right, considering the characteristics of the models described here, at any time and without notice, to make eventual necessary modifications for their construction or for commercial needs.



*Living innovation*

cod. 1103769 - R1



## Free Manuals Download Website

<http://myh66.com>

<http://usermanuals.us>

<http://www.somanuals.com>

<http://www.4manuals.cc>

<http://www.manual-lib.com>

<http://www.404manual.com>

<http://www.luxmanual.com>

<http://aubethermostatmanual.com>

Golf course search by state

<http://golfingnear.com>

Email search by domain

<http://emailbydomain.com>

Auto manuals search

<http://auto.somanuals.com>

TV manuals search

<http://tv.somanuals.com>