



OIL FILLED RADIATOR
RADIATEUR A BAIN D'HUILE
RADIADOR DE ACEITE
RADIADOR ELÉCTRICO A ÓLEO

Instruction for use
Mode d'emploi
Instrucciones para el uso
Instruções para o uso



IMPORTANT SAFEGUARDS

When using electrical appliances, basic precautions should always be followed to reduce risk of fire, electric shock, and injury to persons, including the following:

1. Read all instructions before using this heater.
2. **Never for any reason cover the appliance during operation as this could lead to dangerous overheating.**
3. This heater is hot when in use. To avoid burns, do not let bare skin touch hot surfaces. Use handle when moving this heater. Keep combustible materials, such as furniture, pillows, bedding, papers, clothes, and curtains at least 3 feet (0,9 m) from the front and top of the heater and keep them away from the sides and rear.
4. Extreme caution is necessary when any heater is used by or near children or invalids and whenever the heater is left operating and unattended.
5. Always unplug heater when not in use.
6. **Do not operate any heater with a damaged cord or plug or after the heater malfunctions, has been dropped or damaged in any manner. If heater has leaked any oil, discontinue using the heater and contact the service center as indicated in this instructions leaflet. Return heater to authorized service facility for examination, electrical or mechanical adjustment, or repair.**
7. Do not use outdoors.
8. This heater is not intended for use in bathrooms, laundry areas and similar indoor locations. Never locate heater where it may fall into a bathtub or other water container.
9. **Do not run cord under carpeting. Do not cover cord with throw rugs, runners, or the like. Arrange cord away from traffic area and where it will not be tripped over.**
10. To disconnect heater, turn controls to off, then remove plug from outlet.
11. Connect to properly polarized outlets only.
12. Do not insert or allow foreign objects to enter any ventilation or exhaust opening as this may cause an electric shock, fire, or damage the heater.
13. To prevent a possible fire, do not block air intakes or exhaust in any manner. Do not use on soft surfaces, like a bed, where openings may become blocked.
14. **A heater has hot or arcing or sparking parts inside. Do not use it in areas where gasoline, paint, or flammable liquids are used or stored.**
15. Use this heater only as described in this manual. Any other use not recommended by the manufacturer may cause fire, electric shock, or injury to persons.
16. To prevent overload and blown fuses, be sure that no other appliance is plugged into the same outlet (receptacle) or into another outlet (receptacle) wired into the same circuit.
17. It is normal for the heater's plug and cord to feel warm to the touch. A plug or cord which becomes hot to the touch or becomes distorted in shape may be a result of a worn electrical outlet. Worn outlets or receptacles should be replaced prior to further use of the heater. Plugging heater into a worn outlet /receptacle/ may result in overheating of the power cord or fire.
18. **Do not use an extension cord because it may overheat and cause a risk of fire. However, if you have to use an extension cord, the cord shall be properly grounded No. 14 AWG minimum size and rated not less than 1875 watts, and has to be used only for supplying power to this heater.**
19. Be sure that the plug is fully inserted into an appropriate receptacle in order to prevent any danger of overheating or arcing. Please remember that receptacles also deteriorate due to aging and continuous use: check periodically if signs of overheating or deformations are evidenced by the plug. Do not use the receptacle and CALL your electrician.
20. Check that neither the appliance nor the power cable have been damaged in any way during transportation.
21. Make sure that no pieces of polystyrene or other packaging material have been left between one element of the appliance and another. It may be necessary to pass over the appliance with a vacuum cleaner.
22. **When switching on the appliance for the first time, allow it to run at full power for about two hours to get rid of the unpleasant smell. Make sure that the room in which the appliance is located is well ventilated during this operation. It is normal for the appliance to emit small cracking sounds when you turn it on for the first time.**

SAVE THESE INSTRUCTIONS

ASSEMBLY OF THE BASE (bottom view)

fig. 1

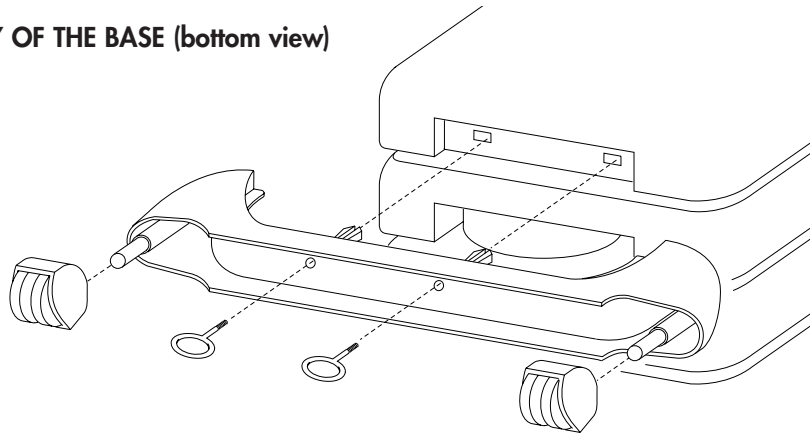


fig. 2b

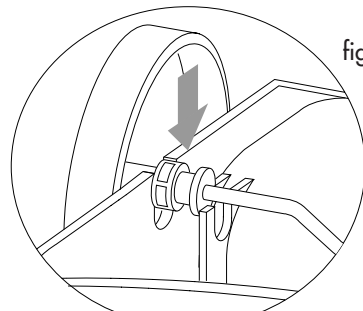
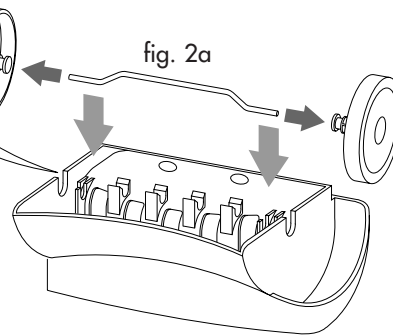


fig. 2a



CONTROL PANEL

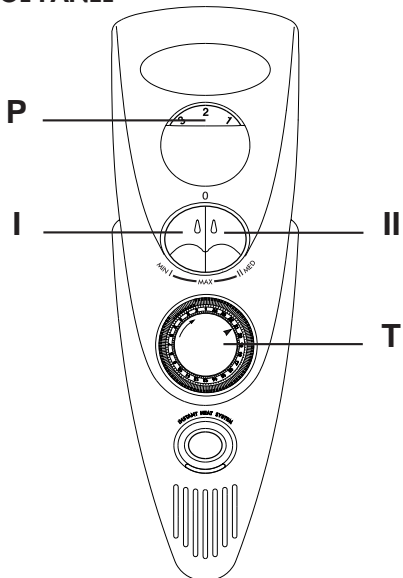


fig. 3

The Rapido heater is an extremely versatile oil filled radiator with three selectable power levels. The Rapido ensures that the optimum comfort level is achieved in any given situation. In order to use this heater to its maximum potential we suggest to carefully read the instructions that follow.

1. GENERAL INSTRUCTIONS

Remove the appliance from its box and packaging and turn it over resting it on the protective polystyrene packaging. Check that the appliance is intact, complete with the power cable and that it hasn't suffered damage during transportation. Do not use the appliance if it is damaged.

2. ASSEMBLY OF THE BASE

Remove the castors, wheels and assemblies from the polystyrene packaging. Insert the castors into the pins of the plastic castors holder and push them all the way in until a click can be heard (fig1) Make sure that they are in tightly by pulling the wheels gently. Attach the castor assembly into the base of the unit by inserting the guiding ridges between the control panel and the first heating element; insert the two location lugs into their housings and lock the castor assembly to the product by inserting the eye screws, screwing them in tightly. (fig1) Fit the two rear wheels onto the rear wheel metal bar. Allocate the metal bar with mounted wheels into the grooves (2a). The slots of the internal part of the wheels must fit into the appropriate housing (2b). Check that the wheels can turn freely. Finally turn the heater over to its upright position, ensuring you do not damage the wheels.

3. LOCATION

Place heater on floor beneath coldest window in the room or any desired location. Your heater will minimize the effect of cold drafts. The heater must not be located immediately below a socket-outlet. Do not use this radiator in rooms having a surface area less than 42 sq. ft (4m²).

4. CONNECTION

The radiator must be connected to a properly polarized A/C 110/120 V household outlet in perfect working conditions. Keep loose clothing or bedding, furniture and flammable material away from the wall outlet where the heater plug is fitted in.

5. USING THE FUNCTIONS

In order to use all the functions of this heater to their maximum potential follow carefully the instructions below and those shown in the table on page 5.

POWER MODULATION FUNCTION

By turning on switches I and II, the power regulation function is activated. With this function, your heater will be able to select the power level most comfortable to suit your needs (see chart below).

Turning the appliance on

Insert the plug into the electrical socket; turn the thermostat until it stops at the maximum position (6); turn on the heater using one or a combination of switches as indicated in the table.

Regulation of the thermostat (Fig. 3-P)

When the room has reached the desired temperature, turn the thermostat slowly in an anticlockwise direction until it arrives at the position where a click can be heard and not beyond this point. The temperature selected in this way will be automatically regulated and maintained.

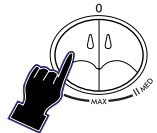
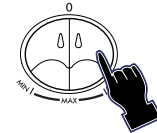
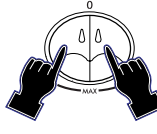
Anti-frost Function

With the thermostat in the * position and the I and /or II switches pressed down the room temperature is maintained and does not fall below 41°F (5°C), whilst using minimum energy.

REMINDER

To completely shut unit off, ON/OFF switches must be placed in OFF position.

Your product is equipped with a polarized alternating current line plug (a plug having one blade wider than the other). This plug will fit into the power outlet only one way. This is a safety feature. If you are unable to insert the plug fully into the outlet, try reversing the plug. If the plug should still fail to fit, contact your electrician to replace your obsolete outlet. Do not defeat the safety purpose of the polarized plug.

Selected Buttons	Functions	Additional functions
	Press the I button for normal heating at minimum power	In this mode, it is possible to activate the Anti-Frost function. (see page 4 Anti-Frost function)
	Press the II button for normal heating at medium power	In this mode, it is possible to activate the Anti-Frost function. (see page 4 Anti-Frost function)
	Press both the I and II buttons for normal heating at the maximum power available without the instant heat system	In this mode, it is possible to activate the Anti-Frost function. (see page 4 Anti-Frost function)

6. UNITS WITH TIMER

Clock setting

The programme/timer, as in all clocks, must be set to the correct time. If for example the time is 9.30 a.m. (day zone), rotate the dial clockwise (following the direction of the arrow) until 9.30 is aligned with the triangular pointer.

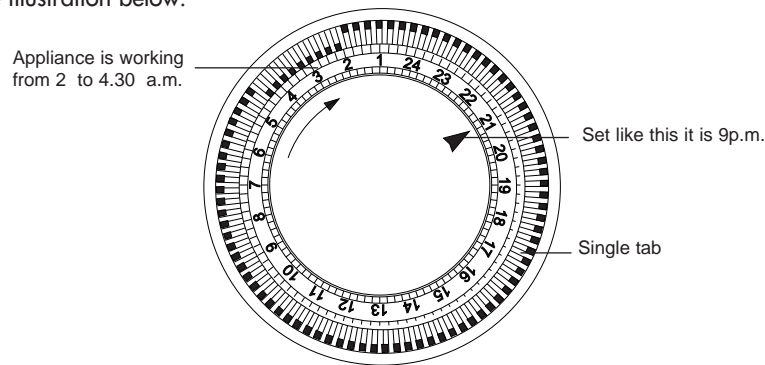
IMPORTANT:

DO NOT ROTATE CLOCK DIAL COUNTER CLOCKWISE.

The timer is in effect an electric clock and only works while plug is connected to the power supply. Whenever the plug is disconnected, the timer stops and must be re-set.

HOW TO USE THE TIMER

Please refer to the illustration below:



IMPORTANT: There are 96 tabs around the dial. Each tab represents a 1/4 hour (15 minutes) and there is a tab for every quarter hour of the 24 hour day. Your appliance can be programmed to switch itself ON and OFF at the time you want. With the timer you can approximate your setting to within 15 minutes and program up to 48 cycles (1 cycle = 1 "ON" + 1 "OFF") over a period of 24 hours (12 hours a.m.+12 hours p.m.).

The tabs can be pushed inwards or pulled outwards by merely using your fingers. When the tab is in the inward position (towards the center of the dial), the heater **will operate** during that 15 minute period. If the tab is in the outward position, the heater **will not operate** during this period.

Please note when you first use your heater, all the tabs are outwards. You must push in those tabs for the period that you want the heater to work. (If you want to bypass the timer you must push all 96 tabs inward).

Timer operation

- Plug in the heater.
- Turn timer dial clockwise to set clock with the current time of day (see CLOCK SETTING).
- Push tabs inwards for the period you want the heater to operate. For example, the illustration shows that appliance will operate from 2 a.m. to 4.30 a.m.
- Push switch(-es) in.
- Once you have set the tabs for the desired heating periods, your heater will cycle on and off according to these settings.
- As long as you keep the heater plugged in, the timer will continue to keep proper time.

6. MAINTENANCE AND SERVICE

Always remove the plug from the power socket and allow the radiator to cool. Wipe radiator with a soft damp cloth, do not use detergents and abrasives.

Should the radiator not be in use over a certain length of time, wind the cable round the holder and store it in a dry place (see fig. in front page).

This appliance has been built to give many years of trouble free service.

In case of malfunction or doubt, do not try to repair the heater by yourself: it may result in fire hazard or electric shock.

Call nearest Service Center (see attached list of Service Centers).

PROTECT YOUR INVESTMENT WITH DELONGHI'S EXTENDED SERVICE PLAN

For your convenience and protection an optional Extended Service Plan is available!

At a small cost you may be sure that if your small appliance needs repair, it will be repaired at no cost for parts and labor, for a period of two years beyond the manufacturer's limited warranty.

If you choose to enroll, please detach and fill out this form and mail with payment (check or money order only) in this envelope. Your extended service plan certificate will be sent to you by return mail.

PLEASE PRINT

Name: _____

Address: _____

City: _____ State: _____ Zip: _____

TWO YEARS EXTENDED SERVICE PLAN

Food processor	\$ 15.00
Toasters	\$ 10.00
Espresso	\$ 16.00
Toaster ovens	\$ 12.00
Deep fryers & barbecues & contact-grills	\$ 12.00
Heaters	\$ 10.00

NJ - CA - NY - WA residents please add sales tax
(check for money order for this amount) total: _____

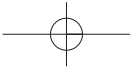
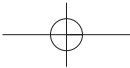
Date of purchase: _____ Model: _____

Small appliance serial no. _____

Signature: _____

MAIL TO:

**DeLonghi America, Inc.
PARK 80 WEST, PLAZA ONE
SADDLE BROOK, NJ 07663
ATTN. CONSUMER SERVICE DEPT.**



The De'Longhi logo is centered at the top of the page, enclosed in a rounded rectangular border. The text 'De'Longhi' is written in a bold, sans-serif font, with the apostrophe in the 'e'.

LIMITED WARRANTY

What Does This Warranty Cover? We warrant each appliance to be free from defects in material and workmanship. Our obligation under this warranty is limited to replacement or repair, free of charge at our factory or authorized service centers, of any defective part or parts thereof other than parts damaged in transit, which shall be returned to us, transportation prepaid. This warranty shall apply only if the appliance is used in accordance with the factory directions which accompany it, and on an Alternating Current (AC) circuit.

How Long Does The Coverage Last? This warranty runs for one year from the date of delivery and applies only to the original purchaser for use.

What Does This Warranty Not Cover? This warranty does not cover defects or damage of the appliance which result from repairs or alterations to the appliance outside our factory or authorized service centers, nor shall it apply to any appliance which has been subject to abuse, misuse, negligence or accidents. Also, consequential and incidental damages resulting from the use of this product or arising out of any breach of contract or breach of this warranty are not recoverable under this warranty. Some states do not allow the exclusion or limitation of incidental or consequential damages, so the above limitation may not apply to you.

How Do You Get Service? If repairs become necessary or spare parts are needed, please write to:

De' Longhi America Inc.
Park 80 West Plaza One
4th floor
Saddle Brook, NJ 07663
or call Service Tel. No. 1-800-322-3848
or visit our internet site www.delonghi.com

The above warranty is in lieu of all other express warranties and representations. All implied warranties are limited to the applicable warranty period set forth above. This limitation does apply if you enter into an extended warranty with De' Longhi. Some states do not allow limitations on how long an implied warranty lasts, so the above exclusions may not apply to you. De' Longhi does not authorize any other person or company to assume for it any liability in connection with the sale or use of its appliance.

How Does State Law Apply? This warranty gives you specific legal rights, and you may also have other rights which vary from state to state.



PRÉCAUTIONS IMPORTANTES

Quand on utilise des appareils électriques, il faut prendre certaines précautions pour éviter tout risque d'incendie, de décharges électriques ou de blessures.

1. Lire les instructions dans leur totalité avant d'utiliser le radiateur.
2. **Ne jamais couvrir l'appareil pendant qu'il fonctionne car cela pourrait entraîner une surchauffe de l'appareil.**
3. Ce radiateur est très chaud quand il fonctionne. Afin d'éviter les brûlures, éviter de toucher les parties chaudes. Se servir de la poignée pour déplacer le radiateur. Ne pas laisser d'objets et matériaux inflammables, tels que meubles, coussins, literies, papiers, vêtements et rideaux devant ou sur le radiateur (pas à moins de 1 m). Les côtés et l'arrière de l'appareil doivent rester libres.
4. Faire très attention quand le radiateur est utilisé par ou près d'enfants ou d'handicapés, et chaque fois que le radiateur fonctionne sans surveillance.
5. Débrancher toujours le radiateur quand il n'est pas utilisé.
6. **Ne pas utiliser le radiateur si le cordon d'alimentation ou la prise sont abîmés, s'il fonctionne mal, si on l'a fait tomber ou s'il est endommagé. Si le radiateur perd de l'huile, ne pas l'utiliser et contacter un centre S.A.V. Renvoyer le radiateur au centre S.A.V. pour les contrôles, réglages et réparations nécessaires.**
7. Ne pas utiliser à l'extérieur.
8. Ce radiateur ne doit pas être utilisé dans les salles de bains et buanderies. Ne jamais placer le radiateur près d'une baignoire ou tout autre récipient plein d'eau dans lequel il pourrait tomber.
9. Ne pas faire passer le cordon d'alimentation sous la moquette. Ne pas le couvrir avec des tapis, descentes de lit, chemins de couloir ou autres. Faire en sorte qu'on ne puisse pas piétiner ou trébucher sur le cordon.
10. Pour éteindre le radiateur, ramener le bouton sur off et débrancher la fiche de la prise de courant.
11. Brancher uniquement sur une prise avec terre.
12. Ne pas introduire ou éviter que des corps étrangers puissent pénétrer dans les fentes d'aération car cela pourrait provoquer une décharge électrique, un feu ou endommager le radiateur.
13. Ne pas boucher les fentes d'aération, l'appareil pourrait prendre feu. Ne pas utiliser sur une surface molle, un lit par exemple, qui pourrait boucher les ouïes.
14. **Un radiateur contient des pièces incandescentes, à arc électrique ou à étincelle. Ne pas utiliser dans des endroits où sont stockés ou utilisés de l'essence, des peintures ou des liquides inflammables.**
15. Respecter le mode d'emploi de l'appareil. Toute utilisation anormale pourrait provoquer un feu, une décharge électrique ou causer des blessures.
16. Pour éviter les surcharges ne pas brancher d'autres appareils sur la même prise ou sur une autre prise installée sur le même circuit.
17. Il est normal que la fiche et le cordon du radiateur semblent chauds au toucher. Si la fiche ou le cordon deviennent trop chauds ou se déforment c'est peut-être dû à une prise en mauvais état. Remplacer les prises en mauvais état. Une prise de courant en mauvais état peut provoquer un échauffement excessif du cordon d'alimentation et entraîner un risque d'incendie.
18. **Ne pas utiliser de prolongateur car cela peut provoquer un échauffement du cordon et causer un risque d'incendie. Toutefois, si nécessaire, utiliser un prolongateur avec prise de terre incorporée, d'une dimension de No. 14 AWG minimum et d'une puissance de 1875 watts, qui ne doit être utilisé que pour alimenter le radiateur.**
19. Vérifier que la fiche est bien insérée dans la prise de courant afin d'éviter tout risque de surchauffe ou d'arc. Ne pas oublier que les prises se détériorent à la longue: contrôler périodiquement si la fiche présente des signes de surchauffe ou si elle est déformée. Ne pas utiliser la prise et faire venir un électricien.
20. Contrôler que ni l'appareil ni le câble n'ont été endommagés pendant le transport.
21. Vérifier qu'il n'y a aucun morceau de polystyrène ou autre matériau d'emballage coincé entre les éléments de l'appareil. Si nécessaire, passer l'aspirateur sur l'appareil.
22. **Quand on allume l'appareil pour la première fois, le faire fonctionner à la puissance maximum pendant environ deux heures afin d'éliminer les mauvaises odeurs. Aérer la pièce pendant cette opération. Il est normal que l'appareil "craque" légèrement quand on l'allume pour la première fois.**

CONSERVER CES INSTRUCTIONS

Le radiateur Rapido est un appareil de chauffage extrêmement polyvalent grâce à ses trois niveaux de puissances. Le Rapido assure un confort optimal. Nous vous conseillons de lire attentivement cette notice pour utiliser au mieux votre radiateur.

1. INSTRUCTIONS GÉNÉRALES

Sortez l'appareil de sa boîte et de son emballage, retournez-le et posez-le sur le polystyrène. Assurez-vous que l'appareil est intact, complet, avec son cordon d'alimentation, et qu'il n'a pas subi de dommages pendant le transport. Ne pas utiliser l'appareil s'il est endommagé.

2. MONTAGE DE LA BASE

Sortez les roulettes pivotantes, les roues et la visserie de l'emballage.

Emboîtez les roulettes sur les axes des pieds et appuyez à fond jusqu'à entendre un déclic (fig.1). Tirez, sans forcer, sur les roulettes pour vérifier si elles sont bien emboîtées.

Montez les pieds avec les roulettes dans la base de l'appareil en glissant les guides entre le panneau de commande et le premier élément chauffant; placez les deux pattes de fixation dans leurs logements, introduisez les vis à œillet, vissez à fond. (fig.1)

Montez les deux roues arrières sur les axes de roue arrière (fig. 2a et 2b). Assurez-vous que les roues tournent librement. Retournez le radiateur et remettez-le en position verticale en vérifiant que vous n'avez pas endommagé les roulettes.

3. EMPLACEMENT

Placer le radiateur par terre sous la fenêtre la plus froide de la pièce. Le radiateur minimisera les courants d'air froids.

Le radiateur ne doit pas être placé juste au-dessous d'une prise de courant fixe.

Ne pas utiliser le radiateur dans des pièces dont la superficie est inférieure à 4 m².

4. BRANCHEMENT

Le radiateur doit être branché sur une prise avec terre 220V ca, en parfait état.

Ne pas poser de vêtements, meubles ou produits inflammables près de la prise où est branché le radiateur.

5. FONCTIONS

Afin d'utiliser au mieux toutes les fonctions de ce radiateur lire soigneusement les instructions ci-dessous et celles qui sont indiquées dans le tableau page 12.

FONCTION DE MODULATION DE PUISSANCE

Si on appuie sur les interrupteurs I et II, on active la fonction de régulation de puissance.

Cette fonction permet de sélectionner la puissance qui convient le mieux à vos exigences (voir le tableau à la page 12).

Allumer l'appareil

Brancher la fiche dans la prise de courant; tourner le thermostat à fond (6); Allumer le radiateur à l'aide de l'interrupteur ou des interrupteurs comme indiqué dans le tableau.

Réglage du thermostat (fig. 3-P)

Quand la pièce a atteint la température désirée, tourner le thermostat lentement dans le sens inverse des aiguilles d'une montre jusqu'à la butée.

La température ainsi sélectionnée sera réglée automatiquement et maintenue constante.

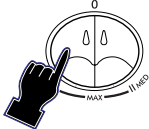

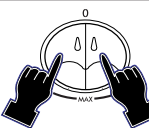
Fonction hors-gel

Quand le thermostat est sur * et l'interrupteur I et/ou II sont enfoncés, la température de la pièce est maintenue constante et ne descend pas au-dessous de 5°C environ, avec une consommation d'énergie réduite.

RAPPELEZ-VOUS

Pour arrêter complètement l'appareil, les interrupteurs ON/OFF doivent être sur OFF.

Votre appareil est équipé d'une fiche avec terre (fiche ayant une broche plus large que l'autre). Cette fiche ne peut entrer dans la prise que dans un sens. C'est un dispositif de sécurité. Si vous n'arrivez pas à mettre la fiche complètement dans la prise, essayer de retourner la fiche. Si la fiche n'entre toujours pas contacter votre électricien pour remplacer votre prise. Ne démontez surtout pas le dispositif de sécurité de la fiche.

Boutons enfoncés	Fonctions activées	Modes de fonctionnement
	Appuyer sur le bouton I pour le chauffage normal à la puissance minimum	De cette façon il est possible d'activer la fonction hors-gel (voir page 4 Fonction hors-gel).
	Appuyer sur le bouton II pour le chauffage normal à la puissance moyenne.	De cette façon il est possible d'activer la fonction hors-gel (voir page 4 Fonction hors-gel).
	Appuyer sur les deux boutons I et II pour le chauffage normal à la puissance maximale disponible, sans le système de chauffage instantané.	De cette façon il est possible d'activer la fonction hors-gel (voir page 4 Fonction hors-gel).

6. UNITÉS AVEC HORLOGE

Réglage de l'horloge

Mettre à l'heure le programmateur/horloge. Si par exemple il est 9h30 du matin, tourner le boîtier dans le sens des aiguilles d'une montre (dans le sens de la flèche) jusqu'à ce que 9.30 coïncide avec la flèche gravée sur le cadran.

IMPORTANT

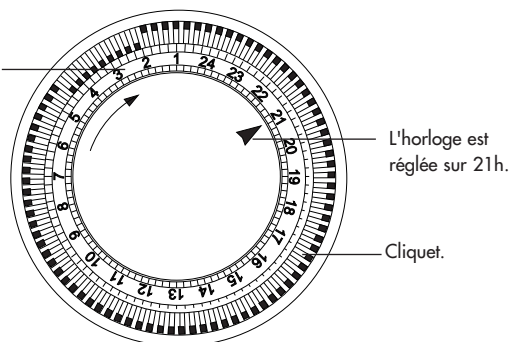
NE PAS TOURNER LE CADRAN DANS LE SENS INVERSE DES AIGUILLES D'UNE MONTRE

Le temporisateur est une horloge électrique et ne fonctionne que quand la fiche est branchée. Quand l'appareil est débranché le temporisateur s'arrête et doit être réglé de nouveau.

COMMENT UTILISER L'HORLOGE

Se référer à ce illustration:

L'appareil fonctionne de 2h à 4h30



IMPORTANT: il y a 96 cliquets autour du boîtier. Chaque cliquet correspond à un 1/4 h. (15 minutes). Votre appareil peut être programmé pour se mettre en marche ou s'arrêter automatiquement à l'heure que vous voulez. Vous pouvez programmer, par sections de 15 minutes, jusqu'à 48 cycles (1 cycle = 1 "ON" + 1 "OFF") sur une période de 24 heures (12 heures matin + 12 heures après-midi).

Les cliquets peuvent être poussés vers l'intérieur ou tirés vers l'extérieur (uniquement avec les doigts). Quand le cliquet est vers l'intérieur (vers le centre du boîtier) le radiateur fonctionnera pendant cette période de 15 minutes. Si le cliquet est vers l'extérieur, le radiateur ne fonctionnera pas pendant cette période.

Remarquer que lorsque vous utilisez votre radiateur pour la première fois les cliquets sont à l'extérieur. Vous devez pousser les cliquets vers l'intérieur pour programmer la durée pendant laquelle l'appareil fonctionnera (si vous voulez désactiver le temporisateur vous devez pousser les 96 cliquets vers l'intérieur).

Fonctionnement du temporisateur

- a) brancher le radiateur
- b) tourner le boîtier dans le sens des aiguilles d'une montre pour mettre l'horloge à l'heure (voir RÉGLAGE DE L'HORLOGE)
- c) pousser vers l'intérieur le nombre de cliquets correspondant à la durée pendant laquelle le radiateur doit fonctionner. Par exemple, sur le dessin l'appareil fonctionnera de 2 h à 4h30 du matin.
- d) appuyer sur le/les interrupteur(s)
- e) votre radiateur fonctionnera ou s'arrêtera selon les périodes que vous aurez programmées à l'aide des cliquets.
- f) tant que le radiateur est branché l'horloge reste à l'heure.

7. MAINTENANCE ET RÉPARATION

Débrancher la fiche et faire refroidir le radiateur. Nettoyer le radiateur avec un chiffon doux, ne pas utiliser de détergents ou d'abrasifs.

Si le radiateur ne doit pas fonctionner pendant un certain temps, enrouler le cordon autour de son support et le ranger dans un endroit sec (voir fig. ci-contre).

Cet appareil a été conçu pour fonctionner pendant plusieurs années sans entretien.

En cas de mauvais fonctionnement ou de doutes, ne pas essayer de réparer soi-même le radiateur: cela pourrait être dangereux.

Appeler le centre S.A.V le plus proche (voir la liste des centres SAV).

**Warranty**

All DE'LONGHI electrical appliances are guaranteed to be free from defects in material and workmanship. Our obligation under this warranty is limited to replacement or repair, free of charge, at our factory or authorized Service Centers, on any defective part or parts thereof other than parts damaged in transit, which shall be returned to us, transportation pre-paid, within one year from the date of delivery to the purchaser/user. This warranty shall apply only if the appliance is used in accordance with the factory directions which accompany and representations and any other obligation or responsibility of the manufacturer. No other person or company is authorized to assume for us any liability in connection with the sale or use of our products.

This warranty does not cover appliances that have been repaired or modified outside our factory, nor to appliances which have been subject to misuse, negligence or accidents.

If repairs become necessary or spare parts are needed, please write to:

DE' LONGHI CANADA

5610 Timberlea bldv
Mississauga, Ontario
L4W4M6 CANADA

**Garantie**

Nous garantissons que tous les APPAREILS ELECTRIQUES DE'LONGHI sont exempts de tout défaut de matériaux de fabrication. Notre obligation vis-à-vis de cette garantie est limitée au remplacement ou à la réparation, gratuite dans notre usine, de toutes les pièces défectueuses autres que les pièces endommagées durant le transport, qui nous seront retournées - transport payé d'avance - endéans un an après la livraison à fabricant lesquelles accompagnent l'appareil, et si l'appareil a été utilisé sur courant alternatif (AC). Cette garantie remplace toutes les autres garanties et représentations, exprimées ou impliquées, et toutes autres obligations ou responsabilités de notre part. Nous n'autorisons aucune autre personne ou compagnie à assumer pour nous une quelconque responsabilité pour la vente ou l'utilisation de notre appareil.

Cette garantie ne s'appliquera ni aux appareils qui seront réparés ou endommagés hors de notre usine, ni aux appareils qui auront fait l'objet d'une mauvaise utilisation, d'une négligence ou d'un accident.

Si des réparations ou des pièces de rechange sont nécessaires, veuillez écrire à:

DE' LONGHI CANADA

5610 Timberlea bldv
Mississauga, Ontario
L4W4M6 CANADA



PRECAUCIONES IMPORTANTES

Cuando utilice aparatos eléctricos deberá siempre tomar unas precauciones básicas para evitar todo riesgo de incendio, electrocución y daños personales, que incluyen lo siguiente:

1. Leer atentamente las instrucciones antes de utilizar este calefactor.
2. **En ningún caso y bajo ninguna circunstancia cubra el aparato mientras esté en funcionamiento, dado que podría dar lugar a un sobrecalentamiento muy peligroso.**
3. Este aparato se calienta cuando está en funcionamiento. Para evitar quemaduras no tocar nunca la superficie del aparato. Utilizar el asa para transportar el aparato. Mantener todo material combustible - como muebles, cojines, ropa de cama, papeles, ropas y cortinas - como mínimo a unos 3 pies (0,9 m) de distancia de la parte delantera y superior del calefactor y alejado de los laterales y de la parte posterior.
4. Extremar las precauciones cuando se utilice el calefactor en una habitación con niños o personas inválidas. No dejar nunca el aparato en funcionamiento sin vigilancia.
5. Desenchufar el aparato cuando no esté en funcionamiento.
6. **No poner nunca en marcha ningún aparato con el cable o el enchufe en mal estado o tras haber detectado cualquier problema en su funcionamiento. En caso de producirse pérdidas de aceite, dejar de utilizarlo y ponerse en contacto con el centro de asistencia indicado en este manual de instrucciones. Remitir el calefactor a un distribuidor autorizado para inspección del sistema eléctrico o mecánico y/o su reparación.**
7. No utilizar en exteriores
8. Este calefactor no está diseñado para ser utilizado en cuartos de baño, zonas de lavandería y emplazamientos interiores de características similares. No situar nunca el calefactor junto a bañeras u otros depósitos de agua.
9. **No pasar el cable por debajo de alfombras. No cubrir el cable con alfombrillas, tapetes, mantas o similares. Disponer el cable fuera de la zona de paso y donde no pueda ser pisado.**
10. Para desconectar el calefactor apagar los conmutadores y desenchufar de la toma de corriente.
11. Conectar únicamente a tomas de corriente correctamente polarizadas.
12. No introducir ni permitir el paso de ningún objeto extraño en las salidas de ventilación o las aberturas de escape dado que podría dar lugar a electrocución, incendio o daños al calentador.
13. Para evitar cualquier riesgo de incendio no bloquear las entradas de aire ni las salidas de escape en modo alguno. No utilizar sobre superficies blandas, como una cama, en que las aberturas pueden quedar bloqueadas.
14. **El calefactor dispone de elementos conductores, emisores de calor o productores de chispas en su interior. No utilizar en lugares junto a recipientes con gasolina, pintura o líquidos inflamables.**
15. Utilizar este calefactor solo en el modo descrito en este manual. Todo uso diferente al recomendado por el fabricante puede dar lugar a incendio, electrocución o daños personales.
16. Para evitar una sobrecarga de fusibles, asegurarse de que no hay ningún otro aparato conectado a la misma toma (receptáculo) u otra toma (receptáculo) conectada al mismo circuito.
17. Es normal que el cable y el enchufe del calentador se calienten ligeramente durante el funcionamiento. Un cable o un enchufe demasiado calientes o deformados pueden ser el resultado de una toma eléctrica en mal estado. En tal caso, cambiar inmediatamente la toma / receptáculo, ya que de lo contrario podría producirse un sobrecalentamiento del cable eléctrico y riesgo de incendio.
18. **No emplear alargos o extensiones porque pueden dar lugar a sobrecalentamiento y conllevan un riesgo de incendio. Sin embargo, en caso de tener que emplear un alargo, el cable del mismo deberá disponer de una puesta a tierra correcta de un tamaño mínimo de 14 AWG (calibrador americano) y de una potencia no inferior a 1875 vatios, y deberá ser empleado únicamente para suministrar energía a dicho calentador.**
19. Asegurarse de que el enchufe esté correctamente conectado a la toma adecuada para evitar cualquier riesgo de sobrecalentamiento o emisión de chispas. Recuerde que los receptáculos también se deterioran con el uso y el paso del tiempo: compruébelos periódicamente si detectara cualquier signo de sobrecalentamiento o deformación en el enchufe. En tal caso, no lo siga utilizando y avise a un electricista.
20. Compruebe que ni el aparato ni el cable hayan sufrido ningún deterioro durante el transporte.
21. Asegúrese de retirar todo resto de poliestireno u otro material de embalaje al sacar el aparato. Puede resultar necesario pasar el aspirador por encima del aparato para eliminar todo resto.
22. **Cuando conecte el aparato por primera vez, déjelo funcionar a la máxima potencia durante unas dos horas para que deje de emitir posibles malos olores. Compruebe la ventilación de la habitación en la que se va a situar el calefactor para realizar esta operación. Al conectarlo por primera vez es normal que el aparato emita algunos chasquidos.**

GUARDE ESTAS INSTRUCCIONES

El calefactor Rapido es un aparato de calefacción extremadamente versátil, que dispone de 3 niveles de potencia seleccionables. El Rapido garantiza el nivel de confort óptimo en cualquier situación. Para aprovechar todo el potencial de este aparato, le recomendamos que lea atentamente las instrucciones aquí facilitadas.

1. INSTRUCCIONES GENERALES

Extraiga el aparato de su caja y embalaje y colóquelo de modo que repose sobre el embalaje protector de poliestireno. Compruebe que esté intacto, así como el cable, y que no haya sufrido ningún daño durante el transporte. No utilice el aparato si piensa que no está intacto.

2. MONTAJE DE LA BASE

Extraiga las horquillas, las ruedas y los accesorios del embalaje de poliestireno

Inserte las horquillas en las clavijas del pie y empújelas hasta que perciba un chasquido (fig.1). Asegúrese de que están bien fijas tirando suavemente de las ruedas.

Monte el conjunto de la horquilla en la base del panel de control insertando las acanaladuras de guía entre el panel de control y el primer elemento calentador; inserte las dos patas en sus alojamientos y fije el conjunto de la horquilla al aparato insertando las arandelas roscadas y roscándolas firmemente (fig 1).

Coloque las dos ruedas traseras en el eje de rueda posterior (fig. 2a/2b). Compruebe que las ruedas giren libremente. Finalmente, dele la vuelta al calefactor y colóquelo de pie, comprobando que las ruedas se mantienen en su lugar.

3. EMPLAZAMIENTO

Coloque el calefactor sobre el suelo bajo una ventana o en el lugar que desee. El calefactor reduce los efectos de las filtraciones de aire frío.

El calefactor no debe colocarse inmediatamente debajo de una toma de corriente.

No emplear este radiador en habitaciones con una superficie inferior a 4m².

4. CONEXIÓN

El radiador debe estar conectado a una toma de corriente adecuadamente polarizada A/C de 110/120V en excelentes condiciones.

Mantenga alejado de la toma de corriente todo tejido, ropa de cama y material inflamable una vez enchufado el aparato.

5. EMPLEO DE LAS FUNCIONES

Para aprovechar todas las funciones de que dispone este calefactor, siga cuidadosamente las instrucciones siguientes y las indicadas en la tabla de la página 17.

FUNCIÓN DE MODULACIÓN DE POTENCIA

Activando los conmutadores I y II, se activa la función de regulación de potencia.

Mediante esta función, además del sistema de calefacción instantánea, su calefactor podrá seleccionar el nivel de potencia más adecuado para sus necesidades (tabla de la página 17).

Puesta en marcha del aparato

Insertar el enchufe en la toma eléctrica; girar el termostato hasta el tope de la posición máxima (6); encender el calefactor mediante uno o varios conmutadores, según lo indicado en la tabla.

Regulación del termostato (fig.3-p)

Una vez que la habitación ha alcanzado la temperatura deseada, girar lentamente el termostato en sentido contrario a las agujas del reloj, hasta percibir un chasquido, y nunca sobrepasar este punto.

La temperatura así seleccionada quedará automáticamente regulada y mantenida.

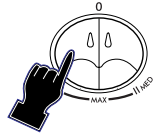

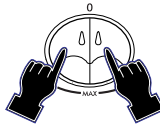
Función anti-escarcha

Con el termostato en posición * y los conmutadores I y II pulsados, se garantiza que la temperatura de la habitación se mantiene y que no desciende por debajo de los 5°C, utilizando el mínimo de energía.

RECUERDE

Para apagar completamente la unidad, los conmutadores ON/OFF deben situarse en posición OFF.

Este producto está provisto de un enchufe polarizado de corriente alterna (un enchufe que tiene una clavija más ancha que la otra). Este enchufe encaja en la toma de corriente únicamente en un sentido. Constituye una característica de seguridad. Si no puede insertar el enchufe completamente en la toma, intente hacerlo al revés. Si sigue sin ajustarse, póngase en contacto con su electricista para cambiar su toma de corriente anti-cuada. No anule la característica de seguridad del enchufe polarizado mediante ningún tipo de modificación.

Botones pulsados	Funciones activadas	Modalidades de funcionamiento
	Pulse el botón I para calefacción normal a la mínima potencia..	En esta modalidad se puede activar la función Anti-escarcha. (ver pág. 4 Función Anti-Escarcha).
	Pulse el botón II para calefacción normal a una potencia media.	En esta modalidad se puede activar la función Anti-escarcha. (ver pág. 4 Función Anti-Escarcha)..
	Pulse los botones I y II al mismo tiempo para calefacción normal a la máxima potencia disponible sin sistema de calefacción instantánea.	En esta modalidad se puede activar la función Anti-escarcha. (ver pág. 4 Función Anti-Escarcha).

6. UNIDADES CON PROGRAMADOR

Reloj

El programador / medidor, como todos los relojes, debe ser correctamente puesto en hora. Si, por ejemplo, la hora es las 9:30 a.m. (diurnas), gire el dial en sentido de las agujas del reloj (siguiendo la dirección de la flecha) hasta que las 9.30 se alineen con la aguja triangular.

IMPORTANTE:

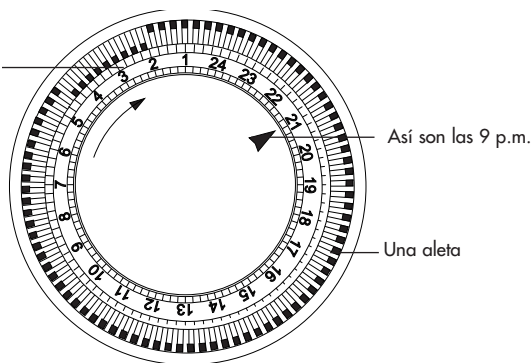
NO GIRE EL DIAL DEL CONTADOR DEL RELOJ EN SENTIDO CONTRARIO A LAS AGUJAS DEL RELOJ.

El programador es de hecho un reloj eléctrico y solamente funcionará si el enchufe está conectado a la corriente. Cuando desenchufe el aparato el programador se detendrá y deberá volver a ajustarse en posteriores usos.

CÓMO EMPLEAR EL PROGRAMADOR

Consulte la ilustración siguiente:

El aparato funciona desde las 2 hasta las 4:30 a.m.



IMPORTANTE: El dial está dividido en 96 aletas. Cada aleta representa $\frac{1}{4}$ de hora (15 minutos) y hay una aleta para cada cuarto de hora en un día de 24 horas. El aparato puede ser programado para que se encienda o apague por sí mismo a la hora que Ud. establezca. Mediante el programador podrá establecer la hora desde en 15 minutos hasta un máximo de 48 ciclos (1 "ON" + 1 "OFF") durante un período de 24 horas (12 horas a.m. + 12 horas p.m.).

Las aletas pueden empujarse hacia adentro o tirarse hacia afuera con los dedos. Cuando la aleta está en posición hacia adentro (hacia el centro del dial), el calefactor funcionará durante ese período de 15 minutos. Si la aleta está hacia afuera el calefactor no funcionará durante ese período.

Tenga en cuenta que cuando utilice su calefactor por primera vez todas las aletas se hallarán hacia afuera. Deberá empujar aquellas aletas correspondientes al período durante el que desee que el calefactor funcione. (Si desea omitir la función del programador deberá empujar las 96 aletas hacia adentro)

Funcionamiento del programador

- Enchufe el calefactor
- Gire el dial del programador en el sentido de las agujas del reloj con la hora del día correcta (ver RELOJ).
- Empuje las aletas correspondientes al período en que desee que el calefactor funcione hacia adentro. Por ejemplo, la ilustración muestra que el aparato funcionará desde las 2 a.m hasta las 4:30 a.m.
- Pulse el/los conmutador/es

- e) Una vez establecidos los períodos de funcionamiento deseados, el calefactor se encenderá o apagará en función de dichos valores.
- f) Mientras el aparato esté enchufado el programador seguirá manteniendo la hora correcta.

6. MANTENIMIENTO Y SERVICIO

Desenchufe siempre el aparato de la toma de corriente y déjelo enfriar. Pase un paño suave húmedo sobre el radiador y no utilice detergentes ni productos abrasivos.

Si el radiador debe permanecer fuera de servicio durante un cierto período de tiempo, enrolle el cable alrededor del soporte y guarde el aparato en un lugar seco (ver fig. cubierta)

Este aparato ha sido diseñado y construido para que funcione correctamente durante muchos años sin necesidad de servicio.

En caso de mal funcionamiento o duda no intente reparar el aparato Ud. mismo: podría originar un incen-

The DeLonghi logo is centered at the top of a decorative frame. The frame is composed of a series of overlapping, horizontal, oval-shaped elements that resemble a radiator's coils, forming a rectangular border around the central text.

GARANTÍA LIMITADA

Garantizamos todo producto DE'LONGHI por defectos de material y mano de obra. Nuestra obligación dentro de esta garantía es proporcionar gratuitamente las refacciones y el servicio durante un año a partir de la fecha de compra. Esta garantía se aplicará únicamente si el producto se utiliza de acuerdo con las anexas instrucciones del fabricante y con un circuito de corriente alterna (AC). Esta garantía reemplaza a cualquier otra garantía y acuerdo, expreso o implícito y a todas las demás obligaciones o responsabilidades de nuestra parte. No autorizamos a ninguna otra persona o compañía a asumir nuestras responsabilidades relacionadas con la venta y el uso de nuestro producto. Esta garantía no implica ninguna responsabilidad de parte nuestra en relación con la venta o el uso de nuestro producto. Esta garantía no es válida para los productos que hayan sido reparados o alterados fuera de nuestra fábrica ni tampoco para los productos que hayan sido sometidos a uso inadecuado, negligencia o accidentes. Si se necesitan reparaciones o refacciones, se ruega escribir a:

TEL. DE SERVICIO
5 - 6657432

DEMOTECNIC S.A.
Blvd. Adolfo Ruiz Cortinez
(Periferico Sur) n° 5379
Col Isidro Fabela
14030 MEXICO, D.F.



AVISOS DE SEGURANÇA IMPORTANTES

Quando se usam aparelhos eléctricos devem-se tomar sempre precauções para evitar o perigo de incêndio, choque eléctrico e danos em pessoas, incluindo as seguintes:

1. Ler atentamente as instruções antes de utilizar este radiador.
2. **Nunca cobrir o radiador quando está a funcionar pois isso pode levar a um perigoso aquecimento excessivo.**
3. Este radiador está quente quando está a funcionar. Para evitar queimaduras, não tocar com a pele nas superfícies quentes. Usar as pegas quando se desloca o radiador. Manter os materiais combustíveis, tais como mobílias, almofadas, camas, papéis, roupas, e cortinas pelo menos a 1 metro da parte da frente e superior deste radiador e afastá-los das partes laterais e traseira.
4. É necessário muito cuidado quando qualquer tipo de radiador for usado por ou próximo de crianças ou inválidos e quando o radiador é deixado ligado sem vigilância.
5. Desligar sempre o radiador da tomada de corrente quando não está a ser usado.
6. **Não pôr a funcionar o radiador se o cabo de alimentação ou a ficha estiverem danificados ou se este apresenta anomalias, tombou no chão ou apresentar danos de qualquer tipo. Se o radiador tiver fugas de óleo, não usá-lo e contactar o Serviço de Assistência como indicado neste manual de instruções. Entregar o radiador a um Centro de Assistência Técnica autorizado para verificação, regulação eléctrica ou mecânica, ou para reparação.**
7. Não usar no exterior.
8. Este radiador não está preparado para ser utilizado em casas de banho, áreas de lavandaria ou locais interiores semelhantes. Nunca colocar o radiador onde possa cair dentro de uma banheira ou qualquer outro recipiente com água.
9. **Não passar o fio por baixo dos tapetes. Não cobrir o fio com capachos, passadeiras ou semelhantes. Colocar o fio fora na zona de passagem de modo que não seja pisado.**
10. Para desligar o radiador, girar o botão para off e retirar a ficha da tomada.
11. Ligar apenas a tomadas adequadas.
12. Não introduzir nem deixar que objectos estranhos entrem nas aberturas de ventilação pois podem provocar um choque eléctrico, incêndio, ou danos no radiador.
13. Para evitar a possibilidade de incêndio, não tapar as entradas de ar de modo nenhum. Não usar em superfícies macias, tais como em cima da cama, onde as aberturas podem ficar tapadas.
14. **O radiador tem no seu interior partes quentes, incandescentes ou que produzem faíscas. Não usá-lo em locais onde são usados ou estão armazenados líquidos inflamáveis tais como gasolina ou tintas.**
15. Usar este radiador exclusivamente como descrito neste manual. Qualquer outra utilização não recomendada pelo fabricante pode provocar incêndio, choques eléctricos ou ferimentos em pessoas.
16. Para evitar sobrecarga e fusíveis fundidos, certificar-se que não esteja ligado mais nenhum aparelho à mesma tomada ou a outra tomada ligada ao mesmo circuito.
17. É normal que a ficha e o cabo de alimentação do radiador estejam quentes quando se toca. Uma ficha ou cabo de alimentação que fica quente ou que apresente deformação pode ser o resultado de uma tomada eléctrica avariada. As tomadas avariadas devem ser substituídas antes de utilizar novamente o radiador. A ligação do radiador a uma tomada avariada pode provocar o aquecimento excessivo ou mesmo o incendiar do cabo de alimentação.
18. **Não usar uma extensão pois esta pode aquecer e provocar um incêndio. Contudo, se for necessário utilizar uma extensão, esta deve ter uma ligação à terra adequada No. 14 AWG de secção mínima e com uma capacidade não inferior a 1875 watts, e só deve ser utilizada para alimentar este radiador.**
19. Certificar-se que a ficha esteja bem introduzida na tomada adequada de modo a evitar o perigo de aquecimento excessivo ou a formação de faíscas. Recordar-se que as tomadas também se deterioram com o tempo e com o uso contínuo: verificar periodicamente se há sinais de aquecimento excessivo ou se a ficha apresenta deformação. Não usar a tomada e chamar um electricista.
20. Verificar se o aparelho ou o fio de alimentação sofreram danos durante o transporte.
21. Certificar-se que não tenham ficado pedaços de esferovite ou outro material de embalagem entre os elementos do aparelho. Pode ser necessário passar com o aspirador no aparelho.
22. **Quando se liga o aparelho pela primeira vez, regulá-lo para a potência máxima durante cerca de duas horas para eliminar os cheiros desagradáveis a novo. Certificar-se que o local onde se encontra o aparelho está bem arejado durante esta operação. É normal que o aparelho emita "crepitações" quando se liga pela primeira vez.**

CONSERVAR ESTAS INSTRUÇÕES

dio o electrocutarse.

Póngase en contacto con el Centro de Servicio más próximo (consulte la lista adjunta)

O radiador Rapido é um radiador muito versátil com 3 níveis de potência. Rapido assegura um ótimo nível de conforto em qualquer condição. De modo a utilizar melhor as potencialidades deste radiador, aconselhamos uma leitura atenta das instruções fornecidas.

1. INSTRUÇÕES GERAIS

Tirar o aparelho a caixa e da embalagem e virá-lo ao contrário mantendo-o dentro da embalagem de esferovite. Verificar se o aparelho está completo, com o cabo de alimentação e se não sofreu danos durante o transporte. Não utilizar o aparelho se estiver danificado.

2. MONTAGEM DA BASE

Remover os rodízios, rodas e acessórios da embalagem de esferovite

Introduzir os rodízios nos pinos do pé e empurrá-los até que se sinta um estalido (fig1) Certificar-se que as rodas estejam bem fixadas puxando-as com cuidado.

Encaixar o conjunto dos rodízios na base do painel de controlo introduzindo as arestas de guia entre o painel de controlo e o primeiro elemento de aquecimento; introduzir os dois encaixes nas suas bases e apertar o conjunto dos rodízios ao aparelho introduzindo os parafusos de olhal e apertando-os bem. (fig1)

Fixar as duas rodas traseiras no eixo da roda traseira (fig 2a/2b). Verificar se as rodas giram livremente. Finalmente virar o radiador para a sua posição correcta, tendo o cuidado de não danificar as rodas.

3. LOCALIZAÇÃO

Colocar o radiador no chão por baixo da janela mais fria do local ou em qualquer outro lugar. Este radiador reduzirá o efeito das correntes de ar.

O radiador não deve ser colocado logo por baixo de uma tomada de corrente.

Não utilizar este radiador em locais com uma área inferior a 4 m².

4. LIGAÇÃO

O radiador deve ser ligado a uma tomada de corrente doméstica 220/230 V CA que esteja em bom estado de funcionamento.

Manter vestuário ou roupas da cama, móveis e materiais inflamáveis afastados da tomada onde a ficha do radiador está ligada.

5. UTILIZAÇÃO DAS FUNÇÕES

De modo a utilizar todas as funções deste radiador com todas as suas potencialidades, seguir atentamente as instruções abaixo e as que se encontram na tabela da página 22.

FUNÇÃO DE MODULAÇÃO DE POTÊNCIA

Accionando os interruptores I e II, acciona-se a função de regulação de potência.

Com esta função o radiador poderá seleccionar o nível de potência mais confortável para satisfazer as vossas necessidades (tabela da página 22).

Ligação do aparelho

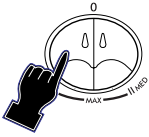
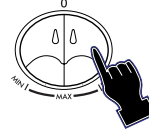
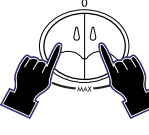
Introduzir a ficha na tomada de corrente eléctrica; girar o termóstato até que este pare na posição máxima (6); ligar o radiador usando um interruptor ou uma combinação de interruptores como indicado na tabela.

Regulação do termóstato (Fig 3-P)

Quando o ambiente alcançou a temperatura desejada, girar o termóstato lentamente no sentido contrário aos ponteiros do relógio até chegar à posição em que se sente um estalido e não para além desse ponto. A temperatura seleccionada deste modo será regulada e mantida automaticamente.

Função Anti-gelo

Com o termóstato na posição * e com os interruptores I e/ou II carregados a temperatura do ambiente é mantida e não desce abaixo de cerca de 5°C, consumindo o mínimo de energia.

Botões carregados	Funções activadas	Modalidades de funcionamento
	Carregar no botão I para aquecimento normal à potência mínima	Nesta modalidade é possível activar a função Anti-gelo. (ver página 4 Função Anti-gelo)
	Carregar no botão II para aquecimento normal à potência média	Nesta modalidade é possível activar a função Anti-gelo. (ver página 4 Função Anti-gelo)
	Carregar nos botões I e II para aquecimento normal à potência máxima disponível sem o sistema de aquecimento instantâneo	Nesta modalidade é possível activar a função Anti-gelo. (ver página 4 Função Anti-gelo)

ADVERTÊNCIAS

Para desligar totalmente o aparelho, os interruptores ON/OFF devem estar na posição OFF.

6. APARELHOS COM TEMPORIZADOR

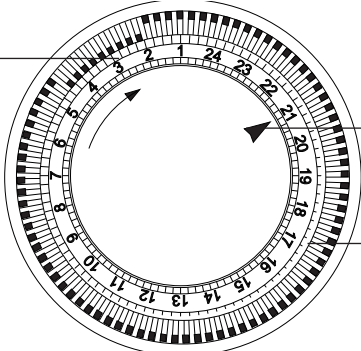
Programação do relógio

O programador/temporizador, tal como em todos os relógios, deve ser regulado para a hora correcta. Por exemplo, se forem as 9.30 da manhã, girar o mostrador no sentido dos ponteiros do relógio (segundo a direcção da seta) até que as 9.30 estejam alinhadas com o ponteiro triangular.

IMPORTANTE:

NÃO GIRAR O MOSTRADOR DO RELÓGIO NO SENTIDO CONTRÁRIO AOS PONTEIROS DO RELÓGIO. De facto, o temporizador é um relógio eléctrico e só funciona se a ficha estiver ligada á tomada de corrente. Quando a ficha é desligada, o temporizador pára e deve ser novamente regulado.

O aparelho está a funcionar entre as 2 e as 4.30 da manhã.



Programado assim são as 21h.

Dente individual

COMO UTILIZAR O TEMPORIZADOR

Consultar a ilustração abaixo:

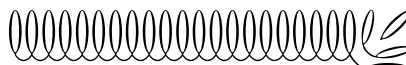
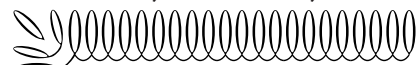
IMPORTANTE: Existem 96 dentes em redor do mostrador. Cada dente representa 1/4 de hora (15 minutos) e existe um dente para cada quarto de hora das 24 horas do dia. O aparelho pode ser programado para passar automaticamente para ON ou OFF à hora que se deseja. Com o programador pode-se aproximar a programação a cada 15 minutos e programar até 48 ciclos (1 ciclo = 1 "ON" + 1 "OFF") durante o período das 24 horas.

Os dentes podem ser empurrados para dentro ou puxados para fora com os dedos. Quando o dente está na posição interna (em direcção ao centro do mostrador), o radiador funcionará durante um período de 15 minutos. Se o dente estiver puxado para fora, o radiador não funcionará durante esse período de tempo. Recordar-se que quando se usa o aparelho pela primeira vez, os dentes estão todos puxados para fora. Devem-se empurrar para dentro os dentes relativos ao período em que se pretende que o radiador funcione. (Se desejar pôr o aparelho a funcionar sem programação, deve empurrar todos os 96 dentes para dentro)..

Funcionamento do temporizador

- Ligar a ficha do radiador à tomada.
- Girar o mostrador do temporizador no sentido dos ponteiros do relógio para regular o relógio na hora corrente (ver PROGRAMAÇÃO DO RELÓGIO).
- Empurrar para dentro os dentes relativos ao período em que se pretende que funcione o radiador. Por exemplo, a ilustração mostra que o aparelho funcionará entre as 2 e as 4.30 da manhã.
- Carregar no(s) interruptor(es).
- Depois de se terem empurrado os dentes que correspondem aos períodos de aquecimento desejados, o radiador iniciará os ciclos de ON e OFF de acordo com a programação efectuada.
- Enquanto o radiador estiver ligado à tomada de corrente, o temporizador manterá a hora correcta.

6. MANUTENÇÃO E REPARAÇÃO



Garantia

A DLB solicita a todas as pessoas que, ao abrir a embalagem do produto De'Longhi, antes de qualquer atitude com relação a ele, leiam atentamente o manual por inteiro e principalmente verifiquem se a voltagem do aparelho é compatível com a da sua tomada.

Nós garantimos que todos os aparelhos eléctricos De'Longhi são isentos de quaisquer defeitos de materiais bem como de sua manufatura.

Nossa obrigação sobre este termo de Garantia está limitada à troca ou conserto gratuito, desde que executados em nossa rede autorizada de assistência técnica, das peças ou dos conjuntos que apresentem defeitos de fabricação, bem como problemas ocorridos durante o transporte até o revendedor de sua escolha, valendo sempre a data da venda ao consumidor.

Esta garantia não se aplica caso seja comprovado o uso indevido do produto.

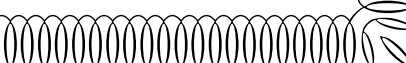
Este produto De'Longhi é fabricado para uso doméstico, não se recomenda sua utilização em locais comerciais sob pena de perda de sua Garantia.

Não autorizamos qualquer outra pessoa ou empresa, que não seja posto autorizado De'Longhi a efetuar conserto em nossos produtos, bem como não autorizamos quaisquer terceiros a assumir em nosso nome qualquer responsabilidade em relação à venda ou quanto ao uso de qualquer produto.

Esta garantia tem prazo de validade de doze meses (Um Ano) a partir da data de sua venda ao primeiro consumidor, com a obrigatoriedade de constar na nota fiscal o número do CPF do mesmo.

ATENÇÃO: A NOTA FISCAL deverá ser apresentada com a garantia no exercício dos seus direitos.

DLB INDUSTRIA E COMERCIO LTDA
Rua Alcides Lourenço da rocha, 167-6º ANDR,
BROOKLIN NOVO
04571-110
SÃO PAULO-SP
TEL: ++(55.11) 5503-3131





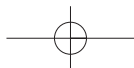
Desligar sempre a ficha da tomada de corrente e deixar que o radiador arrefeça. Limpar o radiador com um pano macio e enxuto e não usar detergentes e abrasivos.

Se o radiador não for utilizado durante um certo tempo, enrolar o cabo de alimentação no suporte e arrumá-lo num local seco (ver a fig. na página frontal).

Este aparelho foi concebido para trabalhar diversos anos sem manutenção.

Em caso de mau funcionamento ou dúvidas, não tentar reparar o radiador pessoalmente: pode provocar incêndio ou choque eléctrico.

Contactar o Centro de Assistência Técnica mais próximo (consultar a lista dos Centros de Assistência em anexo).



Free Manuals Download Website

<http://myh66.com>

<http://usermanuals.us>

<http://www.somanuals.com>

<http://www.4manuals.cc>

<http://www.manual-lib.com>

<http://www.404manual.com>

<http://www.luxmanual.com>

<http://aubethermostatmanual.com>

Golf course search by state

<http://golfingnear.com>

Email search by domain

<http://emailbydomain.com>

Auto manuals search

<http://auto.somanuals.com>

TV manuals search

<http://tv.somanuals.com>