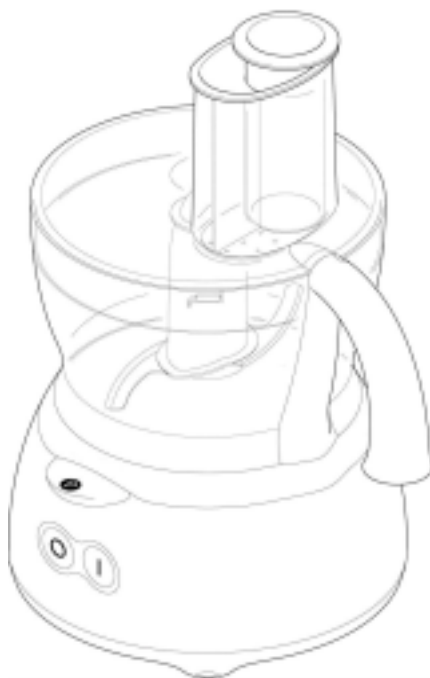


Instruction Manual
Food Processors



Living innovation

Mode D'emploi
Robots de cuisine



DFP880 Series

DFP880 S ries

IMPORTANT SAFEGUARDS

When using electrical appliances, basic safety precautions should always be followed to reduce the risk of fire, electrical shock and/or personal injury.

- 1) Read all instructions.
- 2) Close supervision is necessary when any appliance is used by or near children.
- 3) To protect against fire, electric shock and/or personal injury, do not place cord, plugs, or appliance in water or any other liquid.
- 4) Turn the unit off and unplug it from the outlet when not in use, before cleaning and before installing or removing attachments.
- 5) Do not operate any appliance with a damaged cord or plug or after the appliance malfunctions, or has been damaged in any manner. Return appliance to an authorized DeLonghi service center for examination, repair or adjustment.
- 6) To disconnect, remove plug from wall outlet. Always hold plug, but never pull the cord.
- 7) Do not use outdoors.
- 8) Do not let cord hang over edge or counter, or touch hot surfaces.
- 9) Do not use appliance for other than intended use.
- 10) Keep fingers away from moving parts and fitted attachments.
- 11) Do not leave machine unattended.
- 12) Do not use unauthorized attachments.
- 13) The blades and discs are extremely sharp, handle with care. Always hold the blade assembly by the finger grip at the top, away from the cutting edge, both when handling and cleaning.
- 14) Always remove the blade assembly before pouring contents from bowl.

IMPORTANT SAFEGUARDS

- 15) Keep hands and utensils out of the processor bowl and blender / chopper when in use.
- 16) Never use your fingers to push food down the feed tube. Always use the stomper (included).
- 17) Before removing the lid from the bowl or blender / chopper from the power unit: switch off the unit, wait until the attachment / blades have come to a complete stop and be careful not to unscrew the blender or chopper from the blade assembly.
- 18) Allow hot liquids to cool before putting them in the blender.
- 19) Do not use the scraper while the unit is still running.
- 20) Always operate blender with cover in place.
- 21) If you are blending hot liquids, remove the center part of the two-piece cover.
- 22) To reduce the risk of injury, never place cutting blade or discs on base without first putting the bowl properly in place.
- 23) Be certain cover is securely locked into place before operating appliance.
- 24) Do not attempt to defeat the cover interlock mechanism.

**READ AND SAVE
THESE INSTRUCTIONS**

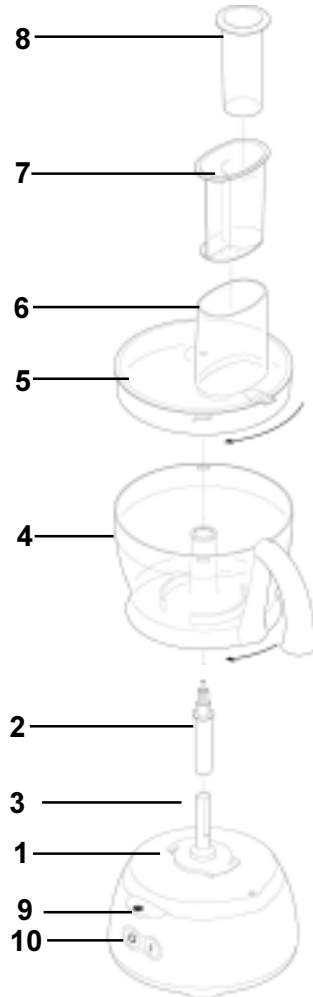
SHORT CORD INSTRUCTIONS

A short power cord is provided to reduce the risk resulting from entanglement or tripping over a longer cord. Longer detachable power supply cords are available and may be used if care is exercised in their use. If a longer detachable power cord or extension cord is used (1) the marked electrical rating of the extension cord should be at least as great as the electrical rating of the appliance, and (2) the longer cord should be arranged so that it will not drape over the counter top or table top where it can be pulled on by children or tripped over unintentionally. The electrical rating of the appliance is listed on the bottom of the unit. If the appliance is of the grounded type, the extension cord should be a grounded type 3-wire cord. This appliance has a polarized plug. One blade is wider than the other. As a safety feature this plug will fit in a polarized outlet only one way. If the plug does not fit, contact a qualified electrician. Do not attempt to defeat this safety feature.

KNOW YOUR FOOD PROCESSOR

Food Processor:

- 1) Power Unit
- 2) Detachable Drive Shaft
- 3) Power Unit Fixed Shaft
- 4) Plastic Bowl
- 5) Lid
- 6) Large Feed Tube
- 7) Stomper for Large Feed Tube
Small Feed Tube Adapter
- 8) Stomper For Small Feed Tube
- 9) Pulse Control
- 10) On-Off Control



ADDITIONAL ATTACHMENTS

Note: Not all attachments below will be included with your food processor. Please refer to the packaging the food processor came in to determine which attachments you should have.

- 1) Stainless Steel Blade Assembly
- 2) Dough Hook
- 3) Double Whisk Beater - Stainless Steel
- 4) Maxi-Blend Canopy
- 5) Thick Slicing / Shredding Disc (2.5 mm)
- 6) Thin Slicing / Shredding Disc (1.5 mm)
- 7) Julienne Disc (4x4 mm)
- 8) Disc Storage Container



1



2



3



4



5



6



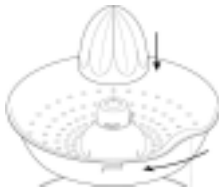
7



8

ADDITIONAL ATTACHMENTS (continued)

- 9) Citrus Juicer
- 10) 4 Cup Capacity bowl with stainless steel blade
- 11) Spatula
- 12) Recipe Book



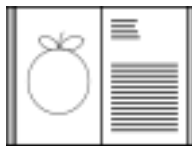
9



10



11



12

BEFORE YOUR FIRST USE

Carefully unpack your food processor and remove all packaging material, including the plastic blade covers from the blade assembly. Use caution when removing the plastic covers, the blades are extremely sharp. These covers should be discarded as they are to protect the blades during manufacture and shipment. Remove any labels or stickers from the food processor. To remove any dust that may have accumulated during packaging, clean the food processor and its included attachments thoroughly before using for the first time. See “Cleaning Your Food Processor and Parts” section of this manual for detailed instructions.

OPERATING YOUR FOOD PROCESSOR

- 1) Fit the detachable drive shaft (2) over the fixed shaft (3). Then fit the bowl to the drive shaft. Place the handle towards the back and turn clockwise until it locks.
- 2) Fit an attachment over the drive shaft. Use caution when attaching the blades, they are very sharp. Be sure to always fit the bowl and attachment onto the machine before adding ingredients.
- 3) Fit the lid (5), ensuring that the top of the drive shaft is centered inside the lid. Note: Do not use the lid to operate the processor, always use the on/off or speed control (11).
Figure 2.

OPERATING YOUR FOOD PROCESSOR (con't)

- 4) Plug the unit into a 120V/60Hz AC only outlet.
Press the "I" button (11) to switch the unit "on".
Note: The food processor will not work if the bowl and lid are not fitted properly.
- 5) Use the pulse control (9) for short bursts. The pulse will operate for as long as the lever is held down. The pulse control is indicated by the letter "P".
- 6) Turn the unit "off" and unplug it before removing lid, attachments and bowl. To remove the bowl, turn it in a counterclockwise direction. To remove the detachable drive shaft from the bowl, just pull the shaft down.

Note: Do not grind coffee beans or other food items of a similar texture in the main bowl of the food processor. When adding flavoring mixtures, avoid contact with the plastic as this may result in permanent staining.



Figure 2

USING THE ATTACHMENTS

Stainless Steel Blade Assembly: *Figure 4*

- 1) The blade assembly is the most versatile of all the attachments. The length of the processing time will determine the texture achieved. For more coarse texture use the pulse control.
- 2) Cut food such as meat, bread and vegetables into cubes approximately $\frac{3}{4}$ -inch (1.9 cm) thick.
- 3) Take care not to over-process.

Dough Hook: *Figure 5*

- 1) Place the dry ingredients in the bowl and pour the liquid down the feed tube while the machine is running. Process until a smooth elastic ball of dough is formed (this will take about 60 – 90 seconds).
- 2) Re-knead the dough by hand only. Re-kneading the dough in the bowl is not recommended as it may cause the processor to become unstable.



Figure 4



Figure 5



Figure 6

USING THE ATTACHMENTS (con't)

Double Whisk Beater: *Figure 6*

- 1) Use for light mixtures only. For example: egg whites, cream, evaporated milk and for whisking eggs and sugar. Heavier mixtures such as flour will damage the beater.
- 2) Fit the detachable drive shaft and bowl onto the power unit. Push each beater securely into the drive head.
- 3) Fit the whisk by carefully turning it until it drops over the drive shaft.
- 4) Add the ingredients. Fit the lid, ensuring the end of the shaft is centered inside the lid.
- 5) Best results are obtained when the eggs are at room temperature. Ensure that the bowl and whisks are clean and free from grease before whisking.

Maxi-Blend Canopy: *Figure 7*

- 1) When blending liquids, use the maxi-blend canopy with the blade assembly. It allows you to increase the liquid processing capacity from 1 liter (34 oz.) to 1.5 liters (50 oz.). It prevents leaking and improves the chopping performance of the blade.
- 2) Fit the detachable drive shaft and bowl onto the power unit.
- 3) Carefully fit the blade assembly and add ingredients to be processed.
- 4) Fit the canopy over the top of the blade ensuring that it sits on the ledge inside the bowl. Note: Do not push down on the canopy, hold it by the center grip.
- 5) Fit the lid.



Figure 7



Figure 8

USING THE ATTACHMENTS (con't)

Stainless Steel Discs: *Figure 8*

Double Sided Thick / Thin Slicing and Shredding Discs:

- 1) Use the shredding section for cheese, carrots, potatoes and foods of a similar texture.
- 2) Use the slicing section for cheese, carrots, potatoes, cabbage, cucumbers and onions.
- 3) Thick disc (2.5 mm) / Thin disc (1.5 mm)

Julienne Disc: (4x4 mm)

- 1) Use it to cut: potatoes for Julienne-style French fries or ingredients for salads, casseroles and stir fries (Ex. carrots, cucumbers, etc.) Note: Never remove the lid until the disc has completely stopped rotating. Handle the discs with care, they are extremely sharp.
- 2) Fit the detachable drive shaft and bowl onto the power unit. Holding the disc by the center grip, place the disc onto the drive shaft with the side that you want to use facing upright. Fit the lid.
- 3) Choose which size feed tube you want to use. The large feed tube contains a smaller feed tube for processing individual items or small ingredients. To use the small feed tube, place it inside the large feed tube.
- 4) Put the food in the feed tube. Turn the unit "on" and push food down evenly with the stomper. Note: Never put your fingers in the feed tube when the unit is "on".

Suggestions for Use:

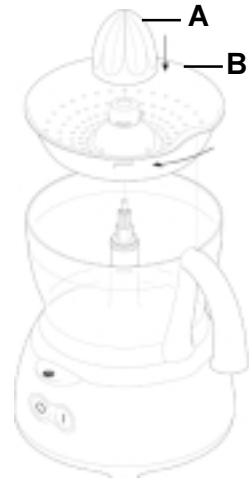
- 1) Use fresh ingredients. Do not cut food too small. Fill the width of the large feed tube fairly full. This prevents the food from slipping sideways during processing. Alternatively, use a small feed tube.
- 2) When slicing and shredding, food placed upright comes out shorter than food placed horizontally.
- 3) There will always be a small amount of excess food on the plate or in the bowl after processing.

USING THE ATTACHMENTS (con't)

Citrus Juicer: *Figure 9*

- 1) Use the citrus juicer to squeeze juice from citrus fruits (Ex. oranges, lemons, limes and grapefruits).
- 2) Parts:
 - A) Juicing Cone
 - B) Strainer
- 3) Fit the detachable drive shaft and bowl onto to the power unit.
- 4) Fit the strainer into the bowl, ensuring that the lip of the strainer is locked into position directly over the bowl handle.
- 5) Place the juicing cone over the drive shaft turning it until it drops all the way down.
- 6) Cut the fruit in half. Then switch the unit "on" and press the fruit onto the juicing cone.
- 7) The citrus juicer will not operate if the strainer is not locked correctly.

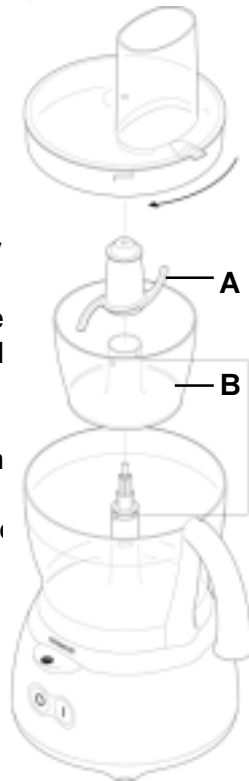
Figure 9



USING THE ATTACHMENTS (con't)

4-Cup Capacity Bowl with Blade Assembly:

- 1) Use the 4-cup capacity bowl to chop herbs and process small quantities of ingredients (Ex. meat, onion, nuts mayonnaise, vegetables, purees, sauces and baby foods.)
- 2) Parts:
 - A) Stainless Steel Blade Assembly
 - B) 4-Cup Capacity Bowl
- 3) Fit the main food processor bowl to the power unit. Fit the 4-cup capacity bowl inside the main food processor bowl, ensuring that the slots on the 4-cup capacity bowl align with the grooves on the main bowl.
- 4) Place the blade assembly over the drive shaft.
- 5) Add the ingredients to be processed.
- 6) Fit the lid and switch the unit "on".
- 7) Never remove the lid until the blade assembly has completely stopped rotating.
- 8) The blade assembly is very sharp, so always handle with care.



USING THE ATTACHMENTS (con't)

4-Cup Capacity Bowl with Blade Assembly: (con't)

- 9) Do not process spices as they may damage the plastic.
- 10) Do not process hard foods such as coffee beans, ice cubes or chocolate. These foods may damage the blades.

Suggestions for Use:

- 1) Herbs are best chopped when dry and clean.
- 2) Always add a little liquid when blending cooked ingredients to make baby food.
- 3) Cut foods such as meat, bread, vegetables into cubes approximately $\frac{1}{2}$ - $\frac{3}{4}$ inch thick before processing.
- 4) When making mayonnaise add the oil down the feed tube.

SPEED SUGGESTIONS FOR ATTACHMENTS

ATTACHMENT	FOOD / FUNCTION	SPEED
Blade Assembly	1) Mixing	1) 1 - 8
	2) Liquefying	2) 1 - 5
Whisk	1) Egg Whites	1) 8
	2) Egg & Sugar	2) 8
Dough Hook	1) Yeast Mixtures	1) 5 - 8
Slicing / Shredding Discs	1) Hard Vegetables and Cheeses	1) 5 - 8
	2) Soft Vegetables	2) 1 - 5
Citrus Juicer	1) Citrus Fruits	1) 1
Juice Extractor	1) Fruits and Vegetables	1) 8
Blender	1) Batters	1) 8
	2) Milkshakes or Smoothies	2) 8
	3) Soups and Sauces	3) 8
	4) Paté or Mayonnaise	4) 8
Mini Food Processor and Chopper	1) Small Food Items	1) 8

MAXIMUM CAPACITIES

TYPE	CAPACITY
• Pastries	340 grams / 12 oz.
• Yeast Dough	500 grams / 1 lb. 2 oz.
• Cake Mix	1.5 kg. / 3 lb. 5 oz.
• Ground Meat	600 grams / 1 lb. 6 oz.
• Liquid with Canopy	1.5 liters / 2 pints / 12 fluid oz.
• Whisk	6 egg whites
• Food Chopper	200 grams / 7 oz.

Oriental Fish Ball Recipe (Stainless Steel blade assy)

To make tasty oriental style fish balls, try this recipe :

- 600g fish
- 120g flour
- 12g vegetable oil

Preparataion method

- 1) extract the fish meat - discard the bones, head and tail.
- 2) cut the fish meat into squares around 3.5cm x 4cm
- 3) put all the ingredients into the bowl and using the knife blade - mix for 60 seconds.
- 5) use a spoon to scoop the mixture and using your fingers, compress into a ball approx 1 inch round.
- 6) cook fish balls by boiling in seasoned water (add a little salt) for approx. 2-3 minutes until fish ball is cooked.
- 7) serve with noodles or rice for a tasty snack

CLEANING YOUR FOOD PROCESSOR AND PARTS

- 1) **CAUTION:** Be sure to switch “off” and unplug this appliance before cleaning the body and its attachments. To protect against electrical shock, do not immerse cord, plug or unit in water or liquid. After each use, always make sure plug is first removed from wall outlet.
- 2) Use caution when handling the blades, they are extremely sharp.
- 3) Some foods may discolor the plastic of the bowl. This is perfectly normal and will not harm the plastic or affect the flavor of your food. Rub with a cloth dipped in vegetable oil to remove discoloration.

CLEANING YOUR FOOD PROCESSOR AND PARTS (con't)

- **Power Unit:** Wipe with a damp cloth, and then dry thoroughly. Ensure that the interlock area is clear of food particles. Store excess cord in the storage area at the back of the machine.
- **Blender and Food Processor / Chopper:** Empty the container of its contents before unscrewing the blade unit. Wash the empty container by hand in warm water with mild detergent, and then rinse and dry thoroughly. Remove and wash the sealing ring by hand in the same manner as the container. Note: Use caution when handling the blades, they are very sharp. Carefully clean the blades by washing them in warm water with mild detergent, and then rinse and dry thoroughly. Do not immerse the blade unit in water. Leave to dry upside down.
- **Double Whisk Beater:** Detach the beaters from the drive head by gently pulling on them. Wash the beaters by hand in warm water with mild detergent, and then rinse and dry thoroughly. Wipe the drive head with a damp cloth, and then dry thoroughly. Do not immerse the drive head in water.
- **Other Parts:** Wash by hand in warm water with mild detergent, and then rinse and dry thoroughly. Alternatively, they can be placed in the top rack of your dishwasher.

ADDITIONAL PRODUCT INFORMATION

Designed and Engineered in the U.S.

Made in P.R.C.

Power Requirement: 120 Volts / 60 Hz

Website: www.delonghi.com

10-Year Warranty on DFP880 Motor

© 2002 DeLonghi

••Limited Warranty••

WHAT DOES THE WARRANTY COVER?

We warrant each appliance to be free from defects in material and workmanship. Our obligation under this warranty is limited to replacement or repair, free of charge at our factory or authorized service centers of any defective part or parts thereof other than parts damaged in transit, which shall be returned to us, transportation prepaid. This warranty shall apply only if the appliance is used in accordance with the factory directions which accompany it, and on an Alternating Current (AC) circuit.

HOW LONG DOES THE COVERAGE LAST?

This warranty runs for one year from the date of delivery and applies only to the original purchaser for use.

WHAT IS NOT COVERED BY THE WARRANTY?

The warranty does not cover defects or damage of the appliance which result from repairs or alterations to the appliance outside our factory or authorized service centers, nor shall it apply to any appliance which has been subject to abuse, misuse, negligence or accidents. Also, consequential and incidental damage resulting from the use of this product or arising out of any breach of contract or breach of this warranty are not recoverable under this warranty. Some states do not allow the exclusion or limitation of incidental or consequential damage, so the above limitation may not apply to you.

HOW DO YOU GET SERVICE?

If repairs become necessary or spare parts are needed, please contact:

DeLonghi America, Inc.
Park 80 West, Plaza One
Saddle Brook, NJ 07663
Or call us at: 1-800-322-3848

The above warranty is in lieu of all other express warranties and representations. All implied warranties are limited to the applicable warranty period set forth above. This limitation does not apply if you enter into an extended warranty with DeLonghi. Some states do not allow limitations on how long an implied warranty lasts, so the above exclusions may not apply to you. DeLonghi does not authorize any other person or company to assume for it any liability in connection with the sale or use of its appliance.

HOW DOES STATE LAW APPLY?

This warranty gives you specific legal rights, and you may also have other rights which vary from state to state.

PRÉCAUTIONS IMPORTANTES

Lorsque vous utilisez des appareils électriques, vous devriez toujours respecter des précautions élémentaires pour réduire les risques d'incendie, d'électrocution ou de blessures.

- 1) Lisez toutes les instructions.
- 2) Une surveillance constante est nécessaire lorsqu'un appareil est utilisé en présence d'enfants.
- 3) Pour éviter les risques d'incendie, d'électrocution ou de blessures, ne plongez pas le cordon, la fiche ou l'appareil dans l'eau ou dans un autre liquide.
- 4) Éteignez et débranchez l'appareil de la prise électrique lorsqu'il n'est pas en service, avant de le nettoyer ou avant d'y installer ou d'en retirer des accessoires.
- 5) N'utilisez aucun appareil qui a été endommagé, dont la fiche ou le cordon électrique est abîmé ou dont le fonctionnement est anormal. Retournez l'appareil à un centre de réparation DçLonghi autorisé pour y être examiné, réparé ou réglé.
- 6) Débranchez l'appareil en retirant la fiche de la prise électrique. Pour le faire, tirez uniquement sur la fiche et jamais sur le cordon électrique.
- 7) Ne l'utilisez pas en plein air.
- 8) Ne laissez pas le cordon électrique pendre sur le côté d'une table ou d'un comptoir et ne le laissez pas toucher des surfaces chaudes.
- 9) N'utilisez pas l'appareil à des fins autres que celle pour laquelle il est prévu.
- 10) Éloignez vos doigts des pièces mobiles et des accessoires installés.
- 11) Ne laissez pas l'appareil sans surveillance.
- 12) N'utilisez pas d'accessoires non autorisés.

PRÉCAUTIONS IMPORTANTES

- 13) Les lames et les disques sont extrêmement tranchants; manipulez-les avec prudence. Tenez toujours l'ensemble à lames par la partie de préhension en haut, loin du bord tranchant, pendant la manipulation et le nettoyage.
- 14) Retirez l'ensemble à lames avant de vider le bol de son contenu.
- 15) Ne mettez ni les mains ni des ustensiles dans le bol ou le mélangeur/hachoir de l'appareil lorsqu'il est en marche.
- 16) N'utilisez jamais vos doigts pour pousser des aliments dans le tube de remplissage. Utilisez toujours le poussoir (fourni).
- 17) Avant de retirer le couvercle du bol ou du mélangeur/hachoir de l'appareil, éteignez l'appareil, attendez que les l'accessoire ou les lames soient complètement arrêtés et faites attention à ne pas dévisser le mélangeur ou le hachoir de l'ensemble à lames.
- 18) Laissez les liquides chauds refroidir avant de les verser dans le mélangeur.
- 19) N'utilisez pas le racloir pendant que l'appareil est en marche.
- 20) Utilisez toujours le mélangeur avec le couvercle installé.
- 21) Si vous mélangez des liquides chauds, retirez la partie centrale du couvercle à deux pièces.
- 22) Pour réduire les risques de blessures, ne placez jamais la lame ou les disques sur le socle sans bien mettre en place d'abord le bol.
- 23) Vérifiez que le bol est solidement verrouillé en position avant d'utiliser l'appareil.
- 24) N'essayez jamais de neutraliser le mécanisme de verrouillage du couvercle.

***LISEZ ET CONSERVEZ
CES INTRUCTIONS***

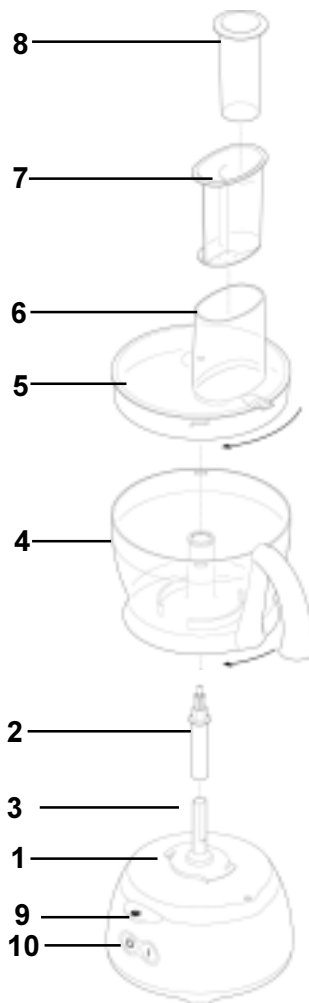
INSTRUCTIONS SPÉCIALES POUR LE CORDON ÉLECTRIQUE

Le cordon électrique est court pour réduire les risques d'entortillement et de trébuchement associés à un cordon électrique plus long. Un prolongateur peut être utilisé s'il est utilisé avec soin. Cependant, en cas d'utilisation d'un prolongateur, son régime électrique devrait être au moins aussi grand que celui de l'appareil. Le prolongateur devrait être disposé afin qu'il ne pende pas du comptoir ou de la table là où il pourrait être tiré par des enfants ou faire trébucher quelqu'un par accident. Le régime électrique de la cafetière est inscrit sur le panneau inférieur de l'appareil.

Cet appareil possède une fiche polarisée (une branche est plus large que l'autre). À titre de sécurité, cette fiche ne peut être insérée que d'une seule façon dans une prise murale. Si elle ne s'insère complètement dans un sens ou dans l'autre, contactez un électricien qualifié pour faire remplacer la prise obsolète. N'essayez en aucun cas d'en modifier les branches.

VOTRE ROBOT DE CUISINE

- 1) Bloc d'alimentation
- 2) Tige d'entraînement détachable
- 3) Bloc d'alimentation à tige fixe
- 4) Bol en plastique
- 5) Couvercle
- 6) Gros tube de remplissage
- 7) Poussoir pour le grand tube de remplissage
Adaptateur pour le petit tube de remplissage
- 8) Poussoir pour le petit tube de remplissage
- 9) Commande d'impulsion
- 10) Commande de marche/arrêt



AUTRES ACCESSOIRES

Remarque : Les accessoires ci-dessous ne seront pas tous fournis avec votre robot de cuisine. Veuillez consulter l'emballage de votre robot de cuisine pour savoir quels sont les accessoires que vous devriez avoir.

- 1) Ensemble de lames
- 2) Crochet pétrisseur
- 3) Double fouet - Acier inoxydable
- 4) Auvent maxi-mélange
- 5) Disque de tranchage/déchiquetage épais (2,5 mm)
- 6) Disque de tranchage/déchiquetage mince (1,5 mm)
- 7) Disque de préparation julienne (4 x 4 mm)
- 8) Compartiment de rangement des disques



1



2



3



4



5



6



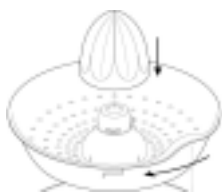
7



8

AUTRES ACCESSOIRES (suite)

- 9) Presse-agrumes
- 10) Bol d'une contenance de 4 tasses avec un ensemble de lames en acier inoxydable (à utiliser uniquement avec la série DFP880)
- 14) Racloir
- 15) Livre de recettes



9



10



11



12

Pour acheter un accessoire inclus supplémentaire ou un accessoire vendu séparément, contactez le service à la clientèle de DeLonghi au 1-888-335-6644 pour l'acheter directement.

AVANT LA PREMIÈRE UTILISATION

Déballez soigneusement votre robot de cuisine et retirez-en tous les matériaux d'emballage, y compris les protège-lames en plastique qui recouvre les lames. Soyez prudent lorsque vous retirez les protège-lames, les lames sont extrêmement tranchantes. Ces protège-lames devraient être jetés car ils servent à protéger l'ensemble à lames pendant la fabrication et le transport. Retirez toutes les étiquettes et tous les autocollants de l'appareil. Pour retirer la poussière qui aurait pu s'accumuler pendant l'emballage, lavez bien le robot de cuisine et ses accessoires inclus avant de l'utiliser pour la première fois. (Consultez la section « Nettoyage du robot de cuisine et des pièces » dans ce manuel.)

UTILISATION DU ROBOT DE CUISINE

- 1) Installez la tige d'entraînement détachable (2) sur la tige fixe (3). Puis installez le bol sur la tige d'entraînement. Placez la poignée vers l'arrière et tournez dans le sens des aiguilles d'une montre jusqu'à ce que le bol soit verrouillé en position.
- 2) Installez un accessoire sur la tige d'entraînement. Soyez prudent lorsque vous fixez les lames car elles sont extrêmement tranchantes. Veillez à installer d'abord le bol et l'accessoire sur l'appareil avant d'ajouter des ingrédients.
- 3) Installez le couvercle (5) en veillant à ce que le sommet de la tige d'entraînement soit centré dans le couvercle.
Remarque : N'utilisez pas le couvercle pour faire fonctionner le robot, utilisez toujours l'interrupteur de marche/arrêt ou la commande de vitesse (11). *Figure 2.*
- 4) Branchez l'appareil à une prise de courant de 120 V/60 Hz c.a. uniquement.
Enfoncez le bouton « I » (11) pour allumer l'appareil.
Consultez la section « Fonctions de vitesse » de votre mode d'emploi pour plus de détails sur la vitesse à choisir.
Remarque : Le robot de cuisine ne fonctionnera pas si le bol et le couvercle ne sont pas correctement installés.

UTILISATION DU ROBOT DE CUISINE (suite)

- 5) Utilisez la commande d'impulsion (9) pour produire de courtes actions. L'impulsion fonctionnera tant que le levier est abaissé. La commande d'impulsion est indiquée par la lettre « P ».
- 6) Éteignez l'appareil et débranchez-le avant d'en retirer le couvercle, les accessoires et le bol. Pour retirer le bol, tournez-le dans le sens inverse des aiguilles d'une montre. Pour retirer la tige d'entraînement détachable du bol, tirez simplement la tige vers le bas.

Remarque : Ne broyez pas de grains de café ou d'autres aliments de texture similaire dans le bol principal du robot de cuisine. Lorsque vous ajoutez des mélanges aromatisants, évitez qu'ils entrent en contact avec le plastique car ils pourraient le tacher de manière permanente.



Figure 2

UTILISATION DES ACCESSOIRES

Ensemble à lames : *Figure 4*

- 1) L'ensemble à lames est l'accessoire le plus polyvalent. La durée d'utilisation déterminera la texture obtenue. Pour une texture plus grossière, utilisez la commande d'impulsion.
- 2) Découpez les aliments comme la viande, le pain et les légumes en dés d'une épaisseur de $\frac{3}{4}$ de pouce environ.
- 3) Veillez à ne pas trop déchiqueter les aliments.

Crochet pétrisseur : *Figure 5*

- 1) Placez les ingrédients secs dans le bol et versez le liquide par le tube de remplissage pendant que l'appareil tourne. Faites fonctionner l'appareil jusqu'à ce qu'une boule de pâte élastique et lisse se forme (cela prendra environ 60 à 90 secondes).
- 2) Pétrissez de nouveau la pâte à la main. Un autre pétrissage de la pâte dans le bol n'est pas recommandé car il pourrait rendre le bol instable.



Figure 4



Figure 5



Figure 6

UTILISATION DES ACCESSOIRES (suite)

Double fouet : *Figure 6*

- 1) Utilisez-le uniquement pour les mélanges légers, comme les blancs d'œuf, la crème, le lait concentré et pour battre des œufs et du sucre. Les mélanges plus lourds, comme la farine, abîmeront le fouet.
- 2) Installez la tige d'entraînement détachable et le bol sur le bloc d'alimentation. Enfoncez bien chaque fouet dans la tête d'entraînement.
- 3) Installez le fouet en le tournant soigneusement jusqu'à ce qu'il tombe au-dessus de la tige d'entraînement.
- 4) Ajoutez les ingrédients. Installez le couvercle en veillant à ce que l'extrémité de la tige soit centrée dans le couvercle.
- 5) Les meilleurs résultats sont obtenus lorsque les œufs sont à la température ambiante. Veillez à ce que le bol et les fouets soient propres et sans huile avant de commencer à fouetter.

Auvent maxi-mélange : *Figure 7*

- 1) Lorsque vous mélangez des liquides, utilisez l'auvent maxi-mélange avec l'ensemble à lames. Il vous permet d'augmenter la capacité de l'appareil de 1 litre à 1,5 litre (50 onces). Il empêche les fuites et améliore l'efficacité de la lame.
- 2) Installez la tige d'entraînement détachable et le bol sur le bloc d'alimentation. Enfoncez bien chaque fouet dans la tête d'entraînement.
- 3) Installez prudemment l'ensemble à lames et ajoutez les ingrédients à mélanger.
- 4) Installez le couvercle au-dessus du bloc de lames en veillant à ce qu'il repose sur le rebord à l'intérieur du bol.
Remarque : N'appuyez pas sur l'auvent maxi-mélange; tenez-le par la poignée centrale.
- 5) Installez le couvercle.

UTILISATION DES ACCESSOIRES (suite)

Disques en acier inoxydable : *Figure 8*

Disques de tranchage et déchiquetage, épais et mince

- 1) Utilisez la section déchiquetage pour le fromage, les carottes, les pommes de terre et les aliments de texture similaire.
- 2) Utilisez la section tranchage pour le fromage, les carottes, les pommes de terre, les choux, les concombres et les oignons.
- 3) Disque épais (2,5 mm)/Disque mince (1,5 mm)

Disque de préparation julienne : (4 x 4 mm)

- 1) Utilisez-le pour couper des pommes de terre pour des frites de type julienne ou des ingrédients préparés en salade, en casserole ou sautés (ex : carottes, concombres, etc.). Remarque : Ne retirez jamais le couvercle avant que le disque n'ait complètement cessé de tourner. Manipulez les disques avec prudence; ils sont extrêmement tranchants.
- 2) Installez la tige d'entraînement détachable et le bol sur le bloc d'alimentation. Enfoncez bien chaque fouet dans la tête d'entraînement. En tenant le disque par sa poignée centrale, placez-le sur la tige d'entraînement avec le côté que vous voulez utiliser vers le haut. Installez le couvercle.
- 3) Choisissez la taille du tube de remplissage que vous voulez utiliser. Le grand tube contient un tube de remplissage plus petit pour des petits morceaux ou ingrédients. Pour utiliser le petit tube de remplissage, placez-le à l'intérieur du grand tube de remplissage.



Figure 7



Figure 8

UTILISATION DES ACCESSOIRES (suite)

- 4) Placez l'aliment dans le tube de remplissage. Allumez l'appareil et poussez l'aliment progressivement avec le poussoir. Remarque : Ne mettez jamais les doigts dans le tube de remplissage lorsque l'appareil est allumé.

Suggestions d'utilisation :

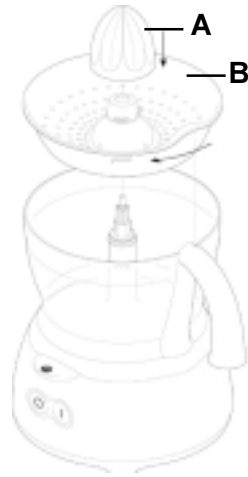
- 1) Utilisez des ingrédients frais. Ne coupez pas les aliments en morceaux trop petits. Remplissez bien la largeur du grand tube. Cela empêchera les aliments de glisser sur le côté pendant la préparation. Autrement, utilisez le petit tube de remplissage.
- 2) Lors du tranchage et du déchiquetage, les aliments placés verticalement donneront des morceaux plus courts que ceux placés horizontalement.
- 3) Il y aura toujours une petite quantité d'aliments restant dans le plat ou dans le bol après la préparation.

UTILISATION DES ACCESSOIRES (suite)

Presse-agrumes : *Figure 9*

- 1) Utilisez le presse-agrumes pour extraire le jus d'agrumes (ex : oranges, citrons, citrons verts et pamplemousses).
- 2) Pièces :
 - A) Cône d'extraction
 - B) Passoire
- 3) Installez la tige d'entraînement détachable et le bol sur le bloc d'alimentation.
- 4) Installez la passoire dans le bol, en veillant à ce que le bord de la passoire soit verrouillé en position directement au-dessus de la poignée du bol.
- 5) Placez le cône d'extraction sur la tige d'entraînement en le tournant jusqu'à ce qu'il tombe jusqu'au fond.
- 6) Coupez le fruit en deux moitiés. Puis allumez l'appareil et appuyez le fruit sur le cône d'extraction.
- 7) Le presse-agrumes ne fonctionnera pas si la passoire n'est pas correctement verrouillée.

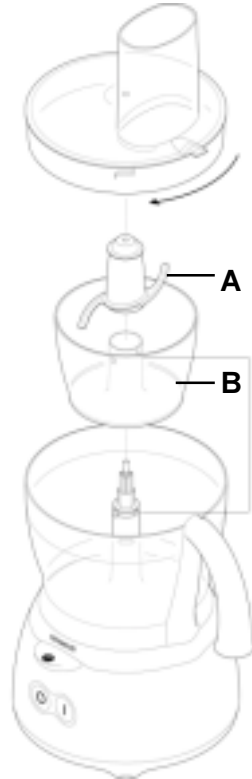
Figure 9



UTILISATION DES ACCESSOIRES (suite)

Bol d'une contenance de 4 tasses avec ensemble à lames:

- 1) Utilisez le bol d'une contenance de 4 tasses pour hacher des herbes et des petites quantités d'aliments (ex : viande, oignons, noix, mayonnaise, légumes, purées, sauces et aliments pour bébé).
- 2) Pièces :
 - A) Ensemble à lames
 - B) Bol d'une contenance de 4 tasses
- 3) Installez le bol principal du robot de cuisine sur le bloc d'alimentation. Installez le bol d'une capacité de 4 tasses dans le bol principal, en veillant à ce que ses fentes soient alignées avec les rainures du bol principal.
- 4) Placez l'ensemble à lames sur la tige d'entraînement.
- 5) Ajoutez les ingrédients à préparer.
- 6) Installez le couvercle et allumez l'appareil.
- 7) Ne retirez jamais le couvercle avant que l'ensemble à lames n'ait complètement cessé de tourner.
- 8) L'ensemble à lames est extrêmement tranchant. Manipulez-le avec prudence.
- 9) Ne préparez pas d'épices car elles pourraient abîmer le plastique.
- 10) Ne préparez pas d'aliments durs, comme des grains de café, des



UTILISATION DES ACCESSOIRES (suite)

Suggestions d'utilisation :

- 1) Il est préférable de hacher des herbes lorsqu'elles sont sèches et propres.
- 2) Ajoutez toujours un peu de liquide lorsque vous mélangez des ingrédients cuits pour préparer des aliments pour bébé.
- 3) Coupez les aliments comme la viande, le pain et les légumes en dés de $\frac{1}{2}$ à $\frac{3}{4}$ de pouce environ avant de les hacher.
- 3) Lorsque vous préparez une mayonnaise, ajoutez l'huile par le tube de remplissage.

SUGGESTIONS DE VITESSE POUR LES ACCESSOIRES

ACCESSOIRE	ALIMENT/FONCTION	VITESSE
Ensemble à lames	1) Mélange	1) 1 à 8
	2) Liquéfaction	2) 1 à 5
Fouet	1) Blancs d'œuf	1) 8
	2) Œufs et sucre	2) 8
Crochet pétrisseur	2) Mélanges de levure	1) 5 à 8
Disques de tranchage/déchiquetage	1) Légumes et fromages durs	1) 5 à 8
	2) Légumes tendres	2) 1 à 5
Presse-agrumes	1) Agrumes	1) 1
Centrifugeuse	1) Fruits et légumes	1) 8
Mélangeur	1) Pâte	1) 8
	2) Lait fouetté	2) 8
Mini robot de cuisine et hachoir	1) Petits aliments	1) 8

CAPACITÉS MAXIMALES

TYPE

CAPACITE

Pâtisseries	340 grammes / 12 oz.
Pâte levée	500 grammes / 1 lb. 2 oz.
Mélange à gâteau	1,5 kg. / 3 lb. 5 oz.
Viande hachée	600 grammes / 1 lb. 6 oz.
Liquide avec l'aérateur	1,5 litres / 2 quarts / 12 oz liq.
Fouet	6 blancs d'œuf
Bol d'une contenance de 4 tasses	200 grammes / 7 oz.

NETTOYAGE DU ROBOT DE CUISINE ET DES PIÈCES

- 1) **ATTENTION** : Veillez à bien éteindre et débrancher cet appareil avant d'en nettoyer le boîtier et ses accessoires. Pour éviter les électrocutions, ne plongez pas le cordon électrique, la fiche ou l'appareil dans l'eau ou dans un liquide. Après chaque utilisation, vérifiez toujours que la fiche est d'abord débranchée de la prise de courant.
- 2) Soyez prudent lorsque vous manipulez les lames; elles sont extrêmement tranchantes.

NETTOYAGE DU ROBOT DE CUISINE ET DES PIÈCES (suite)

- 3) Certains aliments peuvent décolorer le plastique du bol. Cela est parfaitement normal et n'abîmera pas le plastique ou ne modifiera pas le goût des aliments. Frottez avec un chiffon imbibé d'huile végétale pour éliminer la décoloration.
- **Bloc d'alimentation** : Essuyez-le avec un chiffon humide et séchez-le bien. Vérifiez que la zone de verrouillage est bien propre. Rangez l'excédent de cordon électrique dans le compartiment de rangement à l'arrière de l'appareil.
 - **Mélangeur et robot de cuisine/hachoir** : Videz le contenant de son contenu avant de dévisser le bloc des lames. Lavez à la main le contenant vide à l'eau tiède et au détergent doux puis rincez et séchez bien. Retirez et lavez à la main l'anneau d'étanchéité de la même manière que le contenant. Remarque : soyez prudent lorsque vous manipulez les lames, elles sont extrêmement tranchantes. Nettoyez avec prudence les lames en les lavant à l'eau tiède et au détergent doux, puis rincez et séchez bien. Ne plongez pas le bloc des lames dans l'eau. Laissez-les sécher à l'envers.
 - **Double fouet** : Détachez les fouets de la tête d'entraînement en tirant doucement dessus. Lavez à la main les fouets à l'eau tiède et au détergent doux, puis rincez et séchez bien. Essuyez la tête d'entraînement avec un chiffon humide, puis rincez bien. Ne plongez pas la tête d'entraînement dans l'eau.
 - **Autres pièces** : Lavez à la main à l'eau tiède et au détergent doux, puis rincez et séchez bien. Elles peuvent aussi être placées dans le chariot supérieur de votre lave-vaisselle.

.....

AUTRES RENSEIGNEMENTS SUR LE PRODUIT

- Conception et Ingénierie aux Etas-Unis
- Fabriqué en RPC
- Caractéristiques électriques : 120 volts/60 Hz
- Site Web : www.delonghi.com
- Garantie de 10 ans sur le moteur du DFP880

••Garantie limitée••

QU'EST-CE QUE CETTE GARANTIE COUVRE?

Nous garantissons que chaque appareil sera exempt de tout vice de matériau ou de main-d'œuvre. Notre obligation selon cette garantie est limitée au remplacement ou la réparation, sans frais, à notre usine ou aux centres de réparation autorisés, de toutes les pièces défectueuses qui nous seront retournées, port payé, à l'exception des pièces endommagées pendant le transport. Cette garantie n'entre en vigueur que si l'appareil est utilisé conformément aux instructions de l'usine qui l'accompagnent et sur un circuit électrique à courant alternatif (c.a.).

COMBIEN DE TEMPS DURE LA GARANTIE?

Cette garantie dure une année à partir de la date de livraison et s'applique uniquement à l'acheteur et utilisateur initial.

QU'EST-CE QUE CETTE GARANTIE NE COUVRE PAS?

Cette garantie ne couvre pas les défauts de l'appareil ou les dégâts résultants de travaux de réparation ou de modifications effectués en dehors de notre usine ou des centres de réparation autorisés. Elle ne couvre pas non plus les appareils qui ont fait l'objet d'une utilisation abusive, incorrecte ou négligente ou d'accidents. En outre, les dommages indirects ou consécutifs résultant de l'utilisation de ce produit ou d'une rupture de contrat ou de la violation de cette garantie ne sont pas remboursables par cette garantie. Certains états ou provinces n'autorisent pas l'exclusion ou la limitation des dommages indirects ou consécutifs; les restrictions ci-dessus peuvent ne pas s'appliquer à votre cas.

COMMENT OBTENIR DU SERVICE?

S'il faut réparer l'appareil ou obtenir des pièces de rechange, veuillez écrire à :

DeLonghi Canada Inc.

1040 Ronsa Court

Mississauga (Ontario)

L4W 3Y4 Canada

Ou appelez-nous au: 1-888-335-6644

La garantie ci-dessus remplace toute autre garantie et représentation expresse. Toute garantie implicite est limitée à la période de garantie applicable établie ci-dessus. Cette limitation ne s'applique pas si vous concluez un contrat de garantie prolongée avec DeLonghi. Certains états ou provinces n'autorisent pas les limitations sur la durée d'une garantie implicite; les restrictions ci-dessus peuvent ne pas s'appliquer à votre cas. DeLonghi n'autorise aucune personne ou société à assumer en son nom une responsabilité liée à la vente ou à l'utilisation de ses appareils.

COMMENT S'APPLIQUE LA LOI DE L'ÉTAT OU DE LA PROVINCE?

Cette garantie vous donne des droits juridiques précis et vous pouvez aussi avoir d'autres droits qui peuvent varier d'un état ou province à un autre.

PROTECT YOUR INVESTMENT
WITH DELONGHI'S EXTENDED SERVICE PLAN

For your convenience and protection an optional Extended Service Plan is available!

For a small price you can be sure that your appliance is protected. If your product needs repair two years beyond the manufacturer's limited warranty, we will fix it at no cost to you. Note: The motors for the stand mixers and food processors are not covered under this extended service plan.

If you choose to enroll, please detach and fill out this form and mail with payment (check or money order only). Your Extended Service Plan certificate will be sent to you by return mail.

PLEASE PRINT

Name: _____

Address: _____

City, State and Zip Code: _____

TWO YEARS EXTENDED SERVICE PLAN

Stand Mixers.....	\$90.00
Food Processors.....	\$70.00
Mini Food Processor and Chopper.....	\$20.00
Electric Citrus Juicer.....	\$15.00
Electric Food and Cheese Grater.....	\$15.00

MAIL TO:

DeLonghi America, Inc.
Park 80 West Plaza One
Saddle Brook, NJ 07663
Attn: Consumer Service Dept.

CUT ALONG DOTTED LINE

**PROTÉGEZ VOTRE INVESTISSEMENT AVEC LE PROGRAMME DE
GARANTIE PROLONGÉE**

Pour votre tranquillité d'esprit et votre protection, vous pouvez acheter un programme de garantie prolongée!

Pour un coût minime, vous pouvez veiller à ce que votre appareil soit protégé. Si votre produit doit être réparé dans un délai de deux années après la garantie limitée du fabricant, nous le réparerons sans frais pour vous. Remarque : Les moteurs des batteurs sur socle et des robots de cuisine ne sont pas couverts par ce programme de garantie prolongée.

Si vous décidez de l'acheter, détachez et remplissez ce formulaire et envoyez-le avec votre paiement (chèque ou mandat uniquement) par la poste. Votre certificat de programme de garantie prolongée vous sera envoyé par retour du courrier.

EN CARACTÈRES D'IMPRIMERIE, S.V.P.

Nom: _____

Adresse: _____

Ville, Province et Code postal: _____

PROGRAMME DE GARANTIE PROLONGÉE DE DEUX ANS

Batteurs sur socle.....	\$90.00 USD
Robots de cuisine.....	\$70.00 USD
Mini robot de cuisine et hachoir.....	\$20.00 USD
Presse-agrumes électrique.....	\$15.00 USD
Râpe électrique.....	\$15.00 USD

ENVOYEZ À :

DeLonghi America, Inc.
Park 80 West, Plaza One
Saddle Brook, NJ 07663
États-Unis

À l'attention du service à la clientèle

Free Manuals Download Website

<http://myh66.com>

<http://usermanuals.us>

<http://www.somanuals.com>

<http://www.4manuals.cc>

<http://www.manual-lib.com>

<http://www.404manual.com>

<http://www.luxmanual.com>

<http://aubethermostatmanual.com>

Golf course search by state

<http://golfingnear.com>

Email search by domain

<http://emailbydomain.com>

Auto manuals search

<http://auto.somanuals.com>

TV manuals search

<http://tv.somanuals.com>