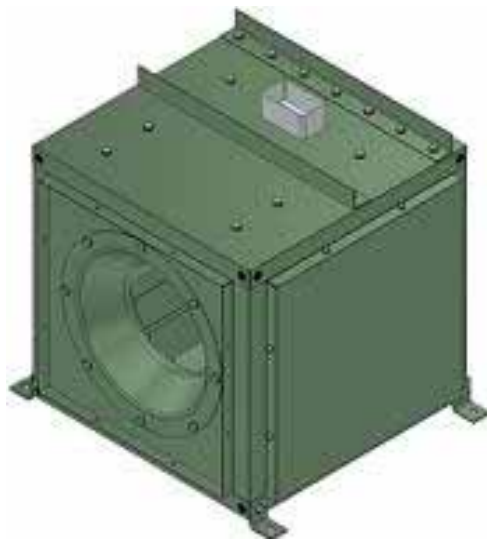


**DSQ-D SERIES - DIRECT DRIVE SQUARE INLINE BLOWERS**  
**OPERATION INSTRUCTIONS AND PARTS MANUAL**  
**MODELS: DSQ-D-10, DSQ-D-12, DSQ-D-13, DSQ-D-15**

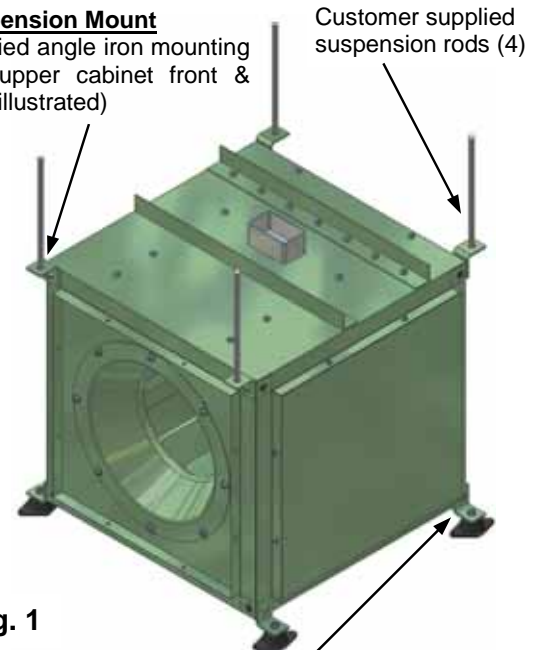
**General Safety**

Rotating parts on fans should not be exposed. Where these components are not protected by ductwork, cabinets or covers, appropriate guards should be employed to restrict exposure to rotating parts. Access doors should not be opened with the fan operating to avoid foreign objects being drawn into the system. On initial start-up a careful inspection should be carried out to ensure no foreign material is present which could become airborne in the system.

Read installation and operation instructions carefully before attempting to install, operate or service Delhi DSQ-D Series Blowers. Failure to comply with instructions could result in personal injury and/or property damage. Retain instructions for future reference.



**Suspension Mount**  
 Install 4 supplied angle iron mounting brackets on upper cabinet front & rear or sides (illustrated)



**Fig. 1**

**Base Mount**  
 4 angle iron mounting brackets are supplied on the cabinet bottom (illustrated).

Model	Motor	Weight (lbs.)
DSQ-D-10	1/4 HP 120V 60 Hz	55
DSQ-D-12	1/2 HP 120V 60 Hz	77
DSQ-D-13	3/4 HP 120V 60 Hz	86
DSQ-D-15	1-1/2 HP 120V 60 Hz	115

**General**

Inspect unit for damage, report any shipping damage to carrier. Check all fasteners, re-tighten as required. Rotate the blower wheel by hand to ensure free rotation. If rubbing occurs, loosen the inlet venturi bolts, re-position the venturi to establish clearance, re-tighten bolts.

**Installation (Fig. 1)**

The 4 angle brackets provided allow for base or suspension mounting.

**Suspension Mounting**

For suspension mounting, move the 4 angle iron mounting brackets to the four upper corners (front & rear or both sides) using the hardware provided, secure the unit to 4 customer provided suspension rods.

**Base Mounting**

For base mounting, 4 angle iron mounting brackets are supplied in the four lower corners (front & rear or both sides) secure these to the customer supplied base.

Vibration isolation (not included).

Recommended (spring or rubber) for both suspension or base mount.

## Electrical

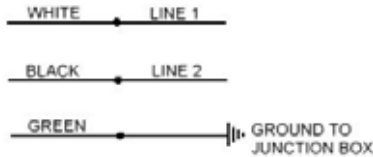
**Warning:** Ensure power supply is disconnected & locked out prior to making electrical connections.

Before connecting the motor to the electrical supply, check the electrical characteristics and wiring instructions as indicated on the motor nameplate or as shown below. Complete electrical connections as indicated.

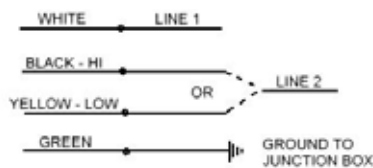
**Warning:** A ground wire must be connected from the motor housing to a suitable electrical ground.

### Motor Wiring Diagram

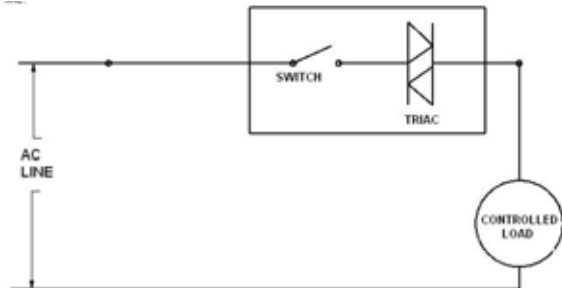
#### DSQ-D-10, 12 & 13 MOTOR WIRING - SINGLE SPEED



#### DSQ-D-15 MOTOR WIRING - TWO SPEED



### Speed Control Wiring Diagram For DSQ-D10, 12 & 13 Single Speed Motors Only



**WARNING:** Power must be turned off before wiring. Connect control in series with motor and line voltage - never connect control across line.

Minimum speed adjustment - factory set.

See installation instructions provided with speed control.

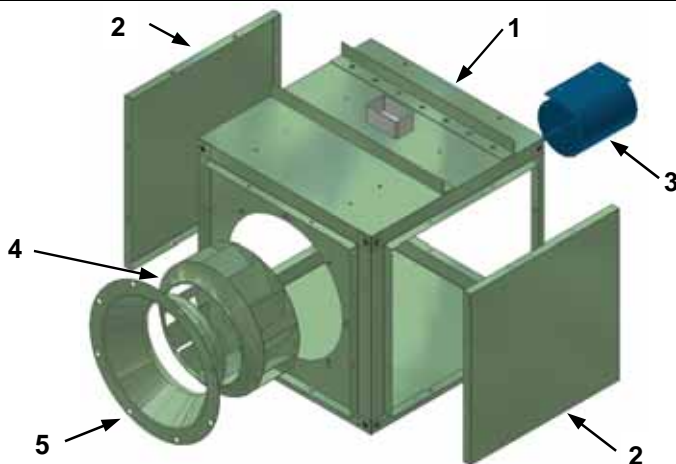
## Operation

1. Complete the electrical connections, energize the unit momentarily and ensure proper wheel rotation.
2. Apply full power.
3. With all ducts attached, the access doors in place and the air system in full operation, measure the motor current and ensure that it is less than the rated full load motor amperage as indicated on the motor nameplate.

## Maintenance

**Ensure power supply is disconnected and locked out prior to performing maintenance.**

1. Inspect and tighten the wheel set screw after the first 50 to 100 hours of operation and periodically thereafter.
2. Follow the motor manufacturer's instructions for motor lubrication. Remove any excess lubrication.
3. Clean the blower wheel periodically. Material build up on the blades can cause wheel imbalance which may result in wheel or motor bearing failure.



### Parts List

- |   |                   |
|---|-------------------|
| 1 | Cabinet           |
| 2 | Side Access Panel |
| 3 | Motor             |
| 4 | Wheel             |
| 5 | Inlet Venturi     |

## Warranty

Delhi Industries Inc. Air Moving Products are guaranteed for a period of one year against manufacturing defects in material and workmanship when operating under normal conditions. Liability is limited to the replacement of defective parts. Labour and transportation costs are not included.

## Free Manuals Download Website

<http://myh66.com>

<http://usermanuals.us>

<http://www.somanuals.com>

<http://www.4manuals.cc>

<http://www.manual-lib.com>

<http://www.404manual.com>

<http://www.luxmanual.com>

<http://aubethermostatmanual.com>

Golf course search by state

<http://golfingnear.com>

Email search by domain

<http://emailbydomain.com>

Auto manuals search

<http://auto.somanuals.com>

TV manuals search

<http://tv.somanuals.com>