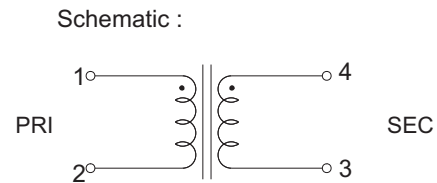
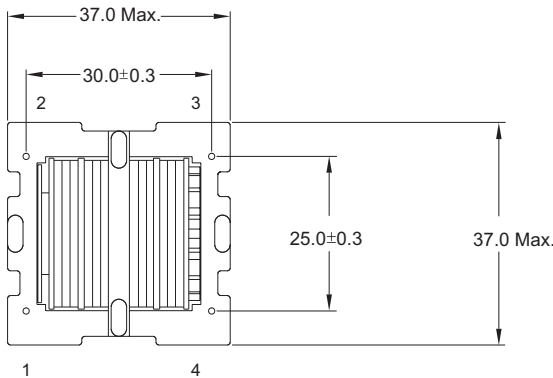
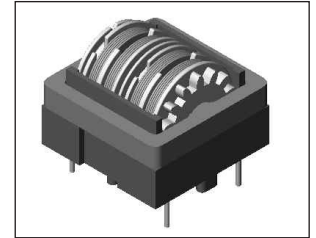
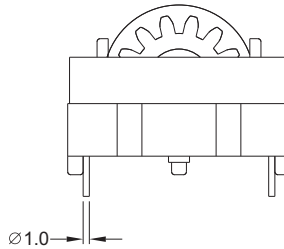
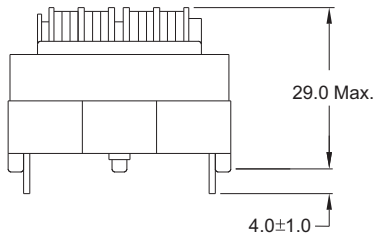


Common Chokes

EMI Common-Mode Suppression Inductors

LFZ35H Type

Mechanical Dimension: Unit: mm



Electrical Characteristics:

■ AT 25°C, 40KHz/1V Tested:

PART NO.	INDUCTANCE (mH) MIN	DCR (mΩ) MAX	RATED CURRENT (Aac)	TEMPERATURE RISE (°C) MAX
LFZ35H01	48.0	590	1.1	45
LFZ35H02	34.0	416	1.4	45
LFZ35H03	29.0	320	1.6	45
LFZ35H04	18.0	220	2.0	45
LFZ35H05	13.0	147	2.5	45
LFZ35H06	8.3	96	3.0	45
LFZ35H07	5.2	77	3.5	45
LFZ35H08	4.4	55	4.0	45
LFZ35H09	3.3	47	4.3	45
LFZ35H10	2.7	36	5.0	45

* WITHSTANDING VOLTAGE BETWEEN L1 & L2 1.5KV 1 MINUTE
* GOOD DIFFERENCE IN WINDING L1 & L2 INDUCTANCE



DELTA ELECTRONICS, INC.

(TAOYUAN PLANT CPBG) 252, SAN YING ROAD, KUEISAN INDUSTRIAL ZONE, TAOYUAN SHIEN, 333, TAIWAN, R.O.C.

TEL: 886-3-3591968; FAX: 886-3-3591991

<http://www.deltawww.com>

Free Manuals Download Website

<http://myh66.com>

<http://usermanuals.us>

<http://www.somanuals.com>

<http://www.4manuals.cc>

<http://www.manual-lib.com>

<http://www.404manual.com>

<http://www.luxmanual.com>

<http://aubethermostatmanual.com>

Golf course search by state

<http://golfingnear.com>

Email search by domain

<http://emailbydomain.com>

Auto manuals search

<http://auto.somanuals.com>

TV manuals search

<http://tv.somanuals.com>