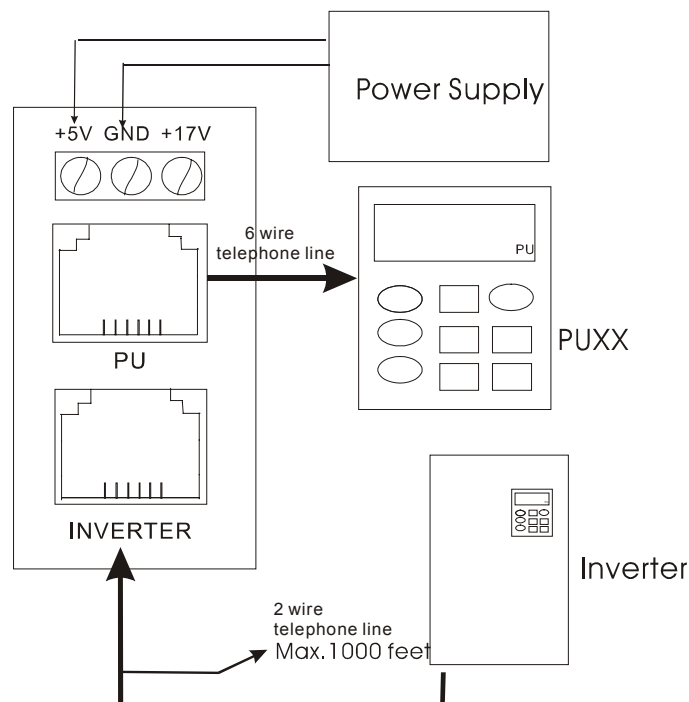


Power Connection Interface for Digital Keypad

VFD-PSD01 User Manual

To complete the communication function of Delta Inverter with digital communication device control model (PUXX) and for the reason of voltage falling-down due to the wiring length, Delta produces communication control device power convection interface by itself.

The data of Inverter will transmitted to the Inverter terminal of PSD01 via a simple telephone line (two wire: SG+/SG-; Max. =1000 feet) from RS-485 communication port. The power source of digital communication device PUXX can be supplied by a simple AC to DC power converter (Max. wiring length= 16 feet) connected to the 3pin(+5V/GND/+17V) terminal of VFD-PSD01. The data and power will transmit form the PU terminal of PSD01 to PUXX via a 6 wires telephone line. The wiring diagram as follows:



Free Manuals Download Website

<http://myh66.com>

<http://usermanuals.us>

<http://www.somanuals.com>

<http://www.4manuals.cc>

<http://www.manual-lib.com>

<http://www.404manual.com>

<http://www.luxmanual.com>

<http://aubethermostatmanual.com>

Golf course search by state

<http://golfingnear.com>

Email search by domain

<http://emailbydomain.com>

Auto manuals search

<http://auto.somanuals.com>

TV manuals search

<http://tv.somanuals.com>