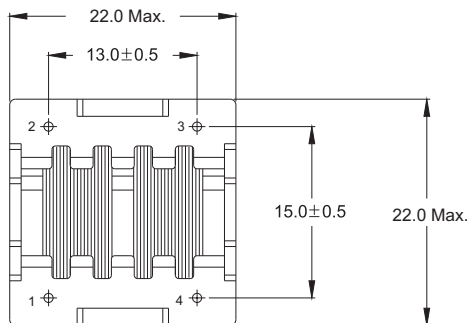
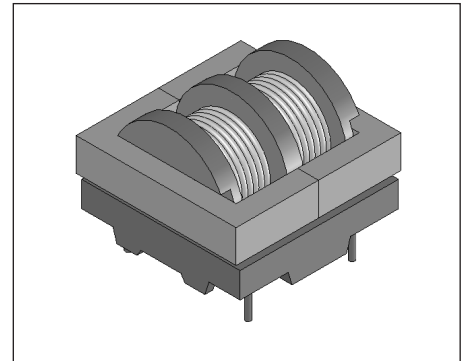
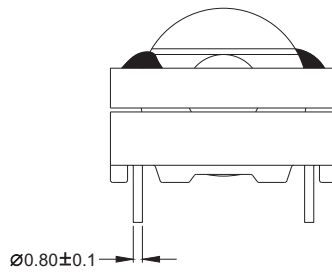
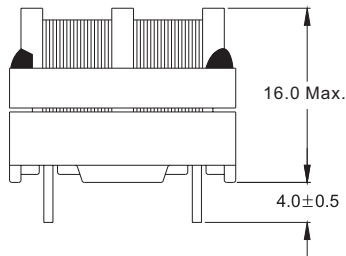


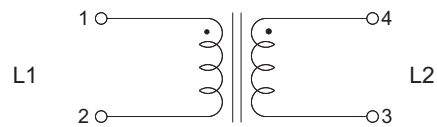
# Hybrid Choke

## CDE20H Type

Mechanical Dimension: Unit: mm



Schematic :



### Electrical Characteristics:

■ AT 25°C, 40KHz/1V Tested:

PART NO.	INDUCTANCE		DCR (mΩ)Max.	RATED CURRENT (Aac)	TEMPERATURE RISE(°C)Max.
	COMMON MODE (mH) Min.	NORMAL MODE (μH) Min.			
CDE20H01	23.2	1365	1200	0.6	45
CDE20H02	13.4	790	685	0.8	45
CDE20H03	8.3	422	425	1.2	45
CDE20H04	6.3	292	290	1.6	45
CDE20H05	3.7	160	185	2.2	45
CDE20H06	2.4	112	120	2.5	45
CDE20H07	1.7	84	85	2.8	45

\* WITHSTANDING VOLTAGE BETWEEN L1 & L2 1.5KV 1 MINUTE.

\* NORMAL MODE INDUCTANCE TEST CONDITION IS AT RATED CURRENT.



**DELTA ELECTRONICS, INC.**

(TAOYUAN PLANT CPBG) 252, SAN YING ROAD, KUEISAN INDUSTRIAL ZONE, TAOYUAN SHIEN, 333, TAIWAN, R.O.C.

TEL: 886-3-3591968; FAX: 886-3-3591991

<http://www.deltawww.com>

## Free Manuals Download Website

<http://myh66.com>

<http://usermanuals.us>

<http://www.somanuals.com>

<http://www.4manuals.cc>

<http://www.manual-lib.com>

<http://www.404manual.com>

<http://www.luxmanual.com>

<http://aubethermostatmanual.com>

Golf course search by state

<http://golfingnear.com>

Email search by domain

<http://emailbydomain.com>

Auto manuals search

<http://auto.somanuals.com>

TV manuals search

<http://tv.somanuals.com>