

INSTALLATION INSTRUCTIONS FOR BLOWER KIT MODEL DVFFBK

⚠ WARNING: Disconnect all electrical power to the fireplace. Be careful of burrs and sharp edges.

BLOWER ASSEMBLY INSTALLATION

1. To remove lower louver, pull both top spring latches toward the center of the appliance at the same time until they are disengaged from the locating holes. Repeat for bottom spring latches and pull louver outward.
2. Place blower assembly so it rests flush against the inside wall on the flue exit side of the firebox (see Figure 1). There are four magnets on the bottom of the blower assembly that will keep the blower in place on firebox bottom. **Note:** If the blower kit is not installed flush against the inside side wall of the fireplace, the circulating air from the blower system will not flow properly.

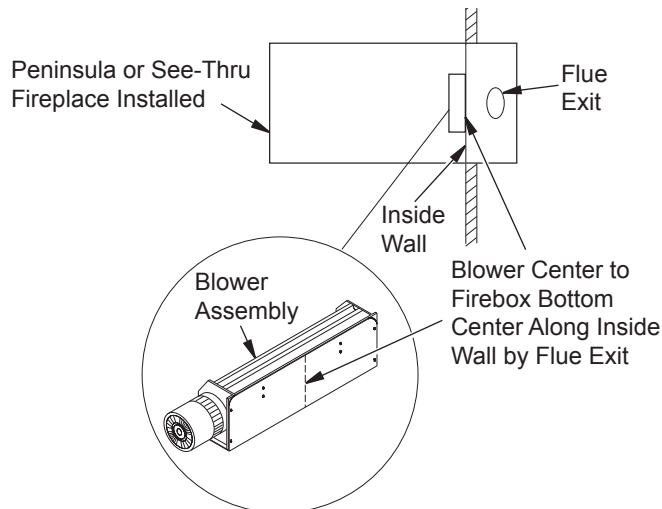


Figure 1 - Blower Assembly Placement

BLOWER SPEED CONTROL INSTALLATION

1. Place speed control switch assembly on the bottom of the inside of the firebox (see Figure 2). The assembly is equipped with magnets on the left and right to properly anchor it to the firebox.
2. Plug blower with speed control assembly into a power source. Keep hands clear of fan when running.

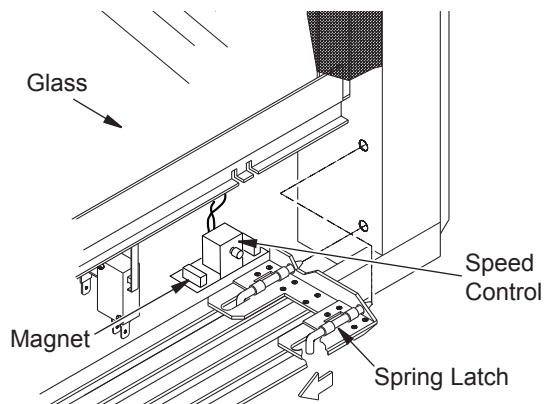


Figure 2 - Blower Speed Control Location

BLOWER SPEED CONTROL OPERATION

1. To operate blower, turn the blower speed control knob clockwise to the ON position (see Figure 3). This will be the highest blower speed. Continue turning knob clockwise to reduce blower speed. Turn knob only within the specified range (1/4 revolution, see Figure 3).
2. To turn blower off, turn blower speed control knob counter-clockwise until it clicks into the OFF position. You must turn until knob clicks for the unit to be completely off.

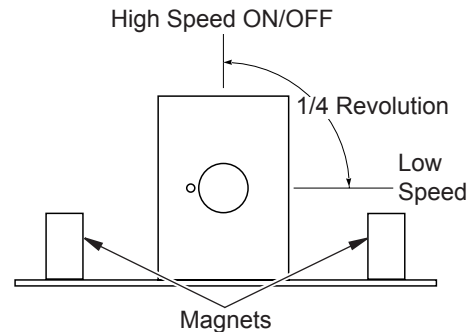


Figure 3 - Blower Speed Control

WIRING DIAGRAM

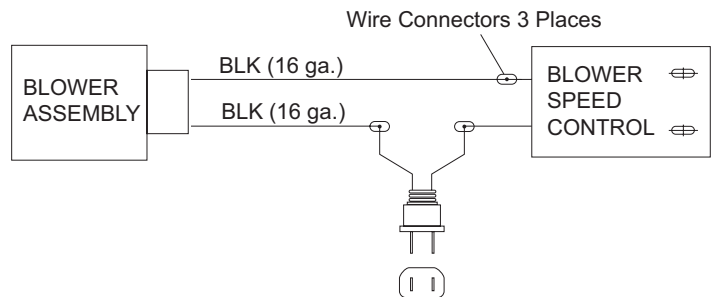


Figure 4 - Wiring Diagram for Blower Assembly

DESA
HEATING PRODUCTS
2701 Industrial Drive
PO Box 90004
Bowling Green, KY 42102-9004



107514 01
NOT A UPC

107514-01
REV. B
02/06

For more information visit www.desatech.com

Free Manuals Download Website

<http://myh66.com>

<http://usermanuals.us>

<http://www.somanuals.com>

<http://www.4manuals.cc>

<http://www.manual-lib.com>

<http://www.404manual.com>

<http://www.luxmanual.com>

<http://aubethermostatmanual.com>

Golf course search by state

<http://golfingnear.com>

Email search by domain

<http://emailbydomain.com>

Auto manuals search

<http://auto.somanuals.com>

TV manuals search

<http://tv.somanuals.com>