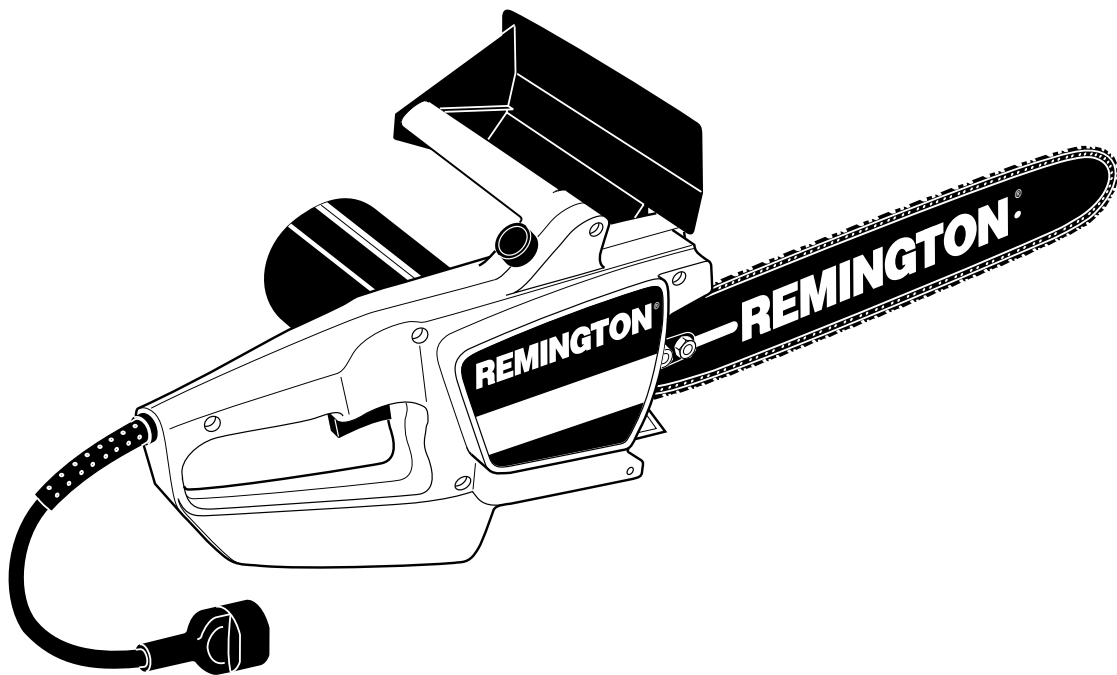


# REMINGTON®

## ELECTRIC CHAIN SAW OWNER'S MANUAL



### MODELS

**LNT-2:** 076728K, 100089-06, & 099178H

**EL-1, EL-1 Fast Sharp**

**EL-7:** 075762J, 098031J, 099039J, 100015,  
100089-01, 100089-04, 100089-05, & 100089-07

**EL-7 Fast Sharp:** 076702J

**Pole Saw:** 104316-04

**Pole Saw Assembly:** 104317

**IMPORTANT:** Read and understand this manual before assembling or operating this chain saw. Improper use of saw can cause severe injury. Keep this manual for future reference.



## ELECTRIC CHAIN SAW



### SAFETY WARNINGS

**Make certain you read and understand all *Safety Warnings* on pages 2 and 3. Improper use of this chain saw can cause severe injury or death from fire, electrical shock, body contact with moving chain, or falling wood.**

### BEFORE OPERATING SAW

1. Read and understand this owner's manual before operating chain saw.
2. Watch what you are doing. Use common sense. Do not operate saw when you are tired.
3. Use chain saw for cutting wood only. Do not use chain saw for purpose not intended. Do not use for cutting plastic, masonry, etc.
4. Only well-instructed adults should operate chain saw. Never allow children to operate chain saw.
5. Use only electrical voltage noted on model plate of chain saw.
6. Use only extension cords marked for outdoor use. See page 8 for extension cord requirements.
7. Do not operate chain saw
  - while under the influence of alcohol, medication, or drugs
  - in rain or in damp or wet areas
  - where highly flammable liquids or gases are present
  - if saw is damaged, adjusted wrong, or not fully and securely assembled
  - if trigger does not turn saw on and off. Chain must stop moving when you release trigger. Have faulty switch replaced by authorized service center.
  - while in a hurry
  - while in tree or on a ladder unless trained to do so

8. Wear snug-fitting clothes when operating chain saw. Do not wear loose clothing or jewelry. They can get caught in moving saw chain.
9. Wear the following safety gear when operating chain saw.
  - heavy-duty gloves (wear rubber gloves when working outdoors)
  - steel-toed safety footwear with non-skid soles
  - eye protection such as safety glasses, goggles, or face screen
  - safety hard hat
  - ear muffers or ear plugs
  - hair covering to contain long hair
  - face or dust mask (if working in dusty areas)
10. Before cutting, always provide the following:
  - clear work area
  - secure footing
  - planned retreat path from falling tree
11. Inspect tree before cutting down. Make sure there are no dead limbs or branches that may fall on you.
12. To reduce the risk of electric shock, this saw has a polarized plug (one blade is wider than the other). This plug will fit in a polarized outlet only one way. If the plug does not fit fully in the outlet of your extension cord, reverse the plug. If it still does not fit, a polarized extension cord will be necessary. Do not change the plug in any way.

### WHILE OPERATING SAW

1. Stay alert. Use common sense while operating chain saw.
2. Keep work area clean. Cluttered areas invite injuries.
3. Be aware of extension cord while operating chain saw. Be careful not to trip over cord. Keep cord away from chain and operator at all times.
4. Keep children, animals, and bystanders away from chain saw and extension cord. Only chain saw user should be in work area.
5. Do not cut down a tree unless you are trained or have expert help.
6. If two or more persons perform bucking and felling operations at the same time, provide plenty of distance between operations. Provide distance of at least twice the height of tree being felled.
7. Secure wood you are cutting by using clamps or chocks.
8. Grip chain saw firmly with both hands. Never operate chain saw with one hand. Never use hand guard as handle.
9. Keep finger off trigger until ready to make cut.
10. Before starting chain saw, make sure chain is not touching anything.
11. To guard against electrical shock, avoid body contact with grounded objects such as pipes, fences, and metal posts.
12. Keep all parts of body away from chain when saw is running.
13. Do not force chain saw while cutting. Apply light pressure. It will do the job better and safer at the rate for which it was intended.
14. Cut small brush and saplings with extreme care. Slender material may catch in chain and be whipped toward you. This could also pull you off balance.
15. When cutting limb or tree trunk that is under tension, use extreme caution. Be alert for wood springing back. When wood tension is released, limb could spring back and strike operator causing severe injury or death.
16. Carry chain saw from one place to another
  - with saw stopped and unplugged
  - by holding front handle (never use hand guard as handle)
  - with finger off trigger
  - with guide bar and chain to rear

## SAFETY WARNINGS

### KICKBACK

**⚠ WARNING:** Kickback may occur when the nose or tip of the guide bar touches an object, or when the wood closes in and pinches the saw chain in the cut. Tip contact in some cases may cause a lightning fast reverse reaction, kicking the guide bar up and back towards the operator. Pinching the saw chain along the top of the guide bar may push the guide bar rapidly back towards the operator. Either of these reactions may cause you to lose control of the saw which could result in serious injury to user.

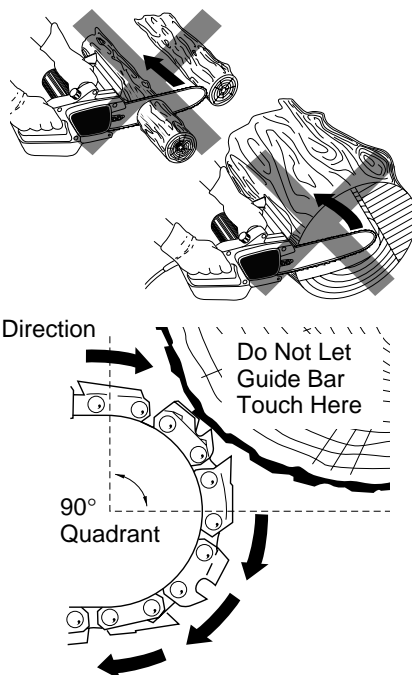
### Kickback Safety Devices On This Saw

This saw has a low-kickback chain and reduced kickback guide bar. Both items reduce the chance of kickback. Kickback can still occur with this saw.

Properly install front hand guard. This item can reduce injuries from kickback. Follow assembly instructions on page 6. Do not remove front hand guard. Do not replace front hand guard with substitute.

The following steps will reduce the risk of kickback.

- Use both hands to grip saw while saw is running. Use firm grip. Thumbs and fingers must wrap around saw handles.
- Keep all safety items in place on saw. Make sure they work properly.
- Do not overreach or cut above shoulder height.
- Keep solid footing and balance at all times
- Stand slightly to left side of saw. This keeps your body from being in direct line with chain.
- Do not let guide bar nose touch anything when chain is moving (see Figure 1).



**Figure 1 - Kickback Hazard Example: Do Not Let Nose of Guide Bar Touch Object While Chain is Moving**

- Never try cutting through two logs at same time. Only cut one log at a time.
- Do not bury guide bar nose or try plunge cut (boring into wood using guide bar nose).
- Watch for shifting of wood or other forces that may pinch chain.
- Use extreme caution when reentering a previous cut.
- Use low-kickback chain and guide bar supplied with this chain saw. Only replace these parts with chains and guide bars listed in this manual.
- Never use dull or loose chain. Keep chain sharp with proper tension.
- Do not hand sharpen chain on automatic chain sharpening (Fast Sharp) models.

### Saw Maintenance and Kickback Safety

Follow maintenance instructions in this manual. Proper cleaning of saw and chain and guide bar maintenance can reduce chances of kickback. Inspect and maintain saw after each use. This will increase the service life of your saw. **Note:** Even with proper sharpening, risk of kickback can increase with each sharpening.

## MAINTENANCE AND STORAGE OF CHAIN SAW

1. Unplug chain saw from power source
  - when not in use
  - before moving from one place to another
  - before servicing
  - before changing accessories or attachments, such as saw chain and guard
2. Inspect chain saw before and after each use. Check saw closely if guard or other part has been damaged. Check for any damage that may affect operator safety or operation of saw. Check for alignment or binding of moving parts. Check for broken or damaged parts. Do not use chain saw if damage affects safety or operation. Have damage repaired by authorized service center.
3. Maintain chain saw with care.
  - Never expose saw to rain.
  - Keep chain sharp, clean, and lubricated for better and safer performance.
  - Follow steps outlined in this manual to sharpen chain.
  - Keep handles dry, clean, and free of oil and grease.
  - Keep all screws and nuts tight.
  - Inspect power cord often. If damaged, have repaired by authorized service center.
  - Never carry chain saw by power cord.
  - Never yank power cord to unplug it.
  - Keep power cord from heat, oil, and sharp edges.
  - Inspect extension cords often and replace if damaged.
4. When servicing, use only identical replacement parts.
5. When not in use, always store chain saw
  - in a high or locked place, out of children's reach
  - in a dry place
  - in a carrying case or with scabbard over guide bar

Keep this manual for reference. It is your guide to safe and proper operation of this chain saw.

## ELECTRIC CHAIN SAW

---

### CHAIN SAW NAMES AND TERMS

**Bucking** Process of cutting a felled tree or log into lengths.

**Felling** Process of cutting down a tree.

**Felling Cut** Final cut when felling a tree. Make this cut on opposite side of tree from notching cut.

**Front Handle** Located at front of saw body.

**Front Hand Guard** Shield between front handle and guide bar. Protects left hand while using saw.

**Guide Bar** Metal bar that extends from saw body. The guide bar supports and guides chain.

**Guide Bar Nose** Tip or end of guide bar.

**Kickback** Quick backward and upward motion of guide bar. Kickback may occur when tip of guide bar touches an object while chain is moving. The guide bar will kick up and back towards operator.

**Limbing** Process of cutting limb(s) from a felled tree.

**Low-Kickback Chain** Chain that reduces chance of kickback as required by ANS B175.1.

**Normal Cutting Position** Stance used while making bucking and felling cuts.

**Notching Cut** Notch cut in tree that directs fall of tree.

**Oiler Control** System for oiling guide bar and chain.

**Power Head** Chain saw without chain and guide bar. Also known as saw body.

**Pushback (Kickback, Pinch)** Rapid pushback of chain saw. Pushback may occur if chain along top of guide bar is pinched, caught, or contacts a foreign object.

**Rear Handle** Handle located at rear of saw body.

**Reduced Kickback Guide Bar** Guide bar that reduces chance of kickback.

**Replacement Chain** Chain that complies with ANS B175.1 when used with a specific saw. It may not meet ANS requirements when used with other saws.

**Saw Chain (Chain)** Loop of chain having cutting teeth for cutting wood. The motor drives chain. The guide bar supports chain.

**Spiked Bumper (Spike)** Pointed teeth at front of saw body beside guide bar. Keep spiked bumper in contact with wood when felling or bucking. It helps maintain position of saw while cutting.

**Sprocket** Toothed wheel that drives chain.

**Switch** Device that completes or interrupts electrical circuit to motor of saw.

**Switch Linkage** This device connects switch to trigger. It moves switch when you squeeze trigger.

**Switch Lockout** Device that reduces accidental starting of saw.

**Trigger** Device that turns saw on and off. Squeezing trigger turns saw on.

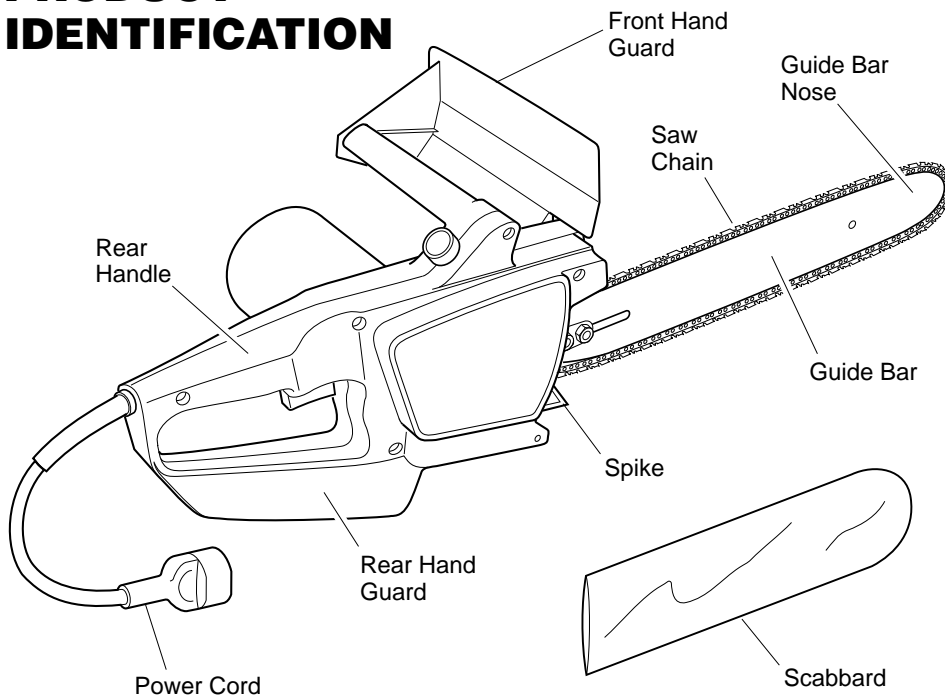
Releasing trigger turns saw off.

**Trimming (Pruning)** Process of cutting limb(s) from a living tree.

**Undercut** An upward cut from underside of log or limb. This is done while in normal cutting position and cutting with top of guide bar.

# OWNER'S MANUAL

## PRODUCT IDENTIFICATION



## UNPACKING

1. Remove all items from carton.
2. Check all items for any shipping damage. If you find any damage or if any parts are missing, promptly inform dealer where you bought chain saw.

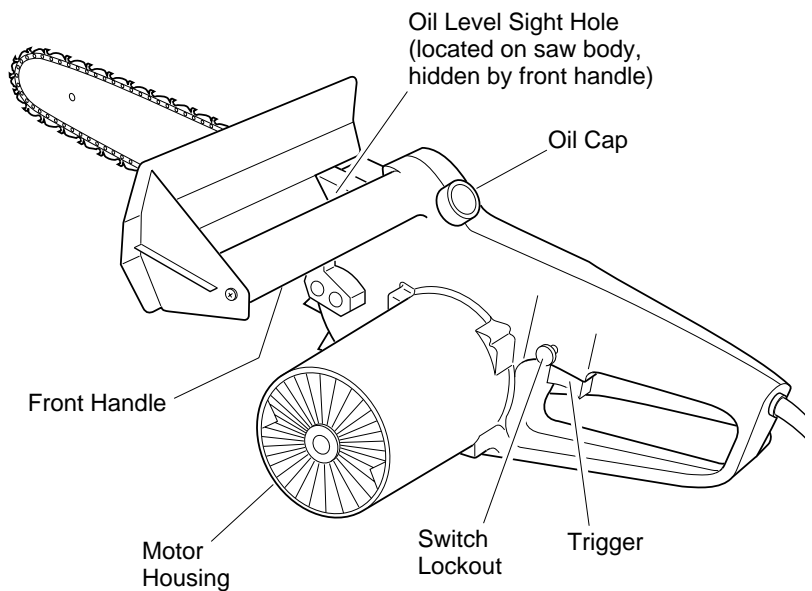


Figure 2 - Electric Chain Saw

# REMINGTON®

## ELECTRIC CHAIN SAW

### ASSEMBLY

*Note:* Some models are pre assembled. Assembly is not needed on these models.

See *Saw Chain Tension Adjustment*, page 7.

**⚠ WARNING:** Cutting edges on chain are sharp. Use protective gloves when handling chain.

**IMPORTANT:** Do not clamp chain saw in vise during assembly.

The plastic hardware bag should include:

- two guide bar bolts
- two guide bar nuts
- one Phillips-head tapping screw
- automatic chain sharpener (Fast Sharp models only)

1. Lay chain out flat.
2. Install front hand guard onto saw body. Do this by pressing two mounting stand-outs on hand guard into hex-shaped holes in saw body (see Figure 3).
3. Insert tapping screw through hand guard and into saw handle. Tighten screw firmly.
4. Turn adjusting screw counterclockwise (see Figure 4). Continue to turn adjusting screw until adjusting block is to rear of adjusting plate.
5. Install guide bar onto saw body. Place rear of guide bar between adjusting plate and sprocket support.

**IMPORTANT:** Make sure to insert adjusting block into oval adjusting hole on guide bar.

6. Line up holes on sprocket support with center slot on guide bar and holes in saw body.
7. Insert guide bar bolts through front hand guard, saw body, center slot of guide bar, and sprocket support. Attach guide bar nuts to guide bar bolts.

**IMPORTANT:** Tighten guide bar nuts finger tight only. Make sure adjusting block is in oval adjusting hole on guide bar.

8. Place chain around drive sprocket, then along top groove of guide bar and around guide bar nose. *Note:* Make sure cutting edges of chain are facing the right direction. Position chain so cutting edges on top of guide bar face guide bar nose (see Figure 3).

**⚠ CAUTION:** Do not place chain on saw backwards. If chain is backwards, saw will vibrate badly and will not cut.

9. Adjust saw chain tension. Follow steps under *Saw Chain Tension Adjustment*, page 7.

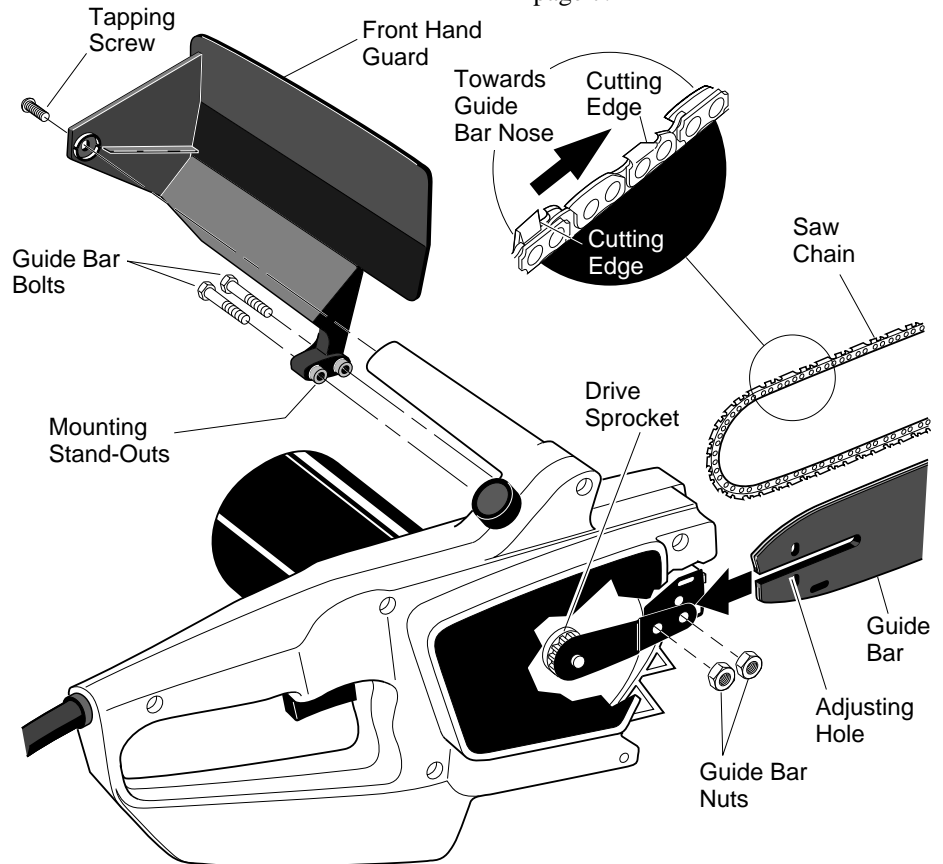


Figure 3 - Assembling Guide Bar, Chain, and Hand Guard

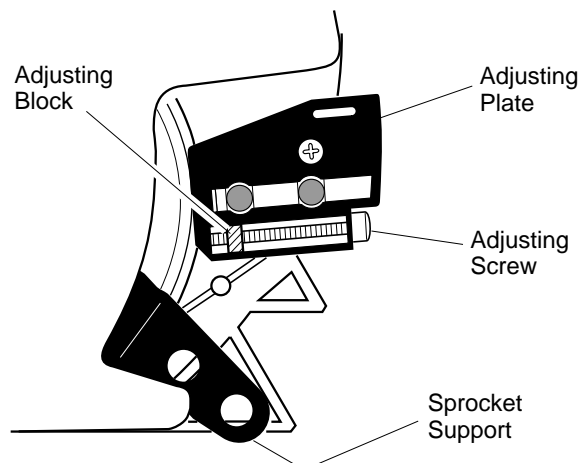


Figure 4 - Part Locations For Assembling Guide Bar

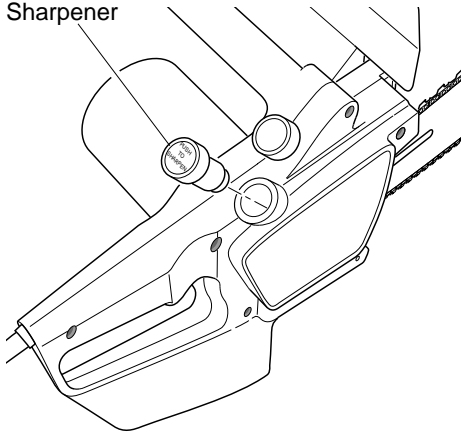
## ASSEMBLY

*Continued*

### INSTALLING AUTOMATIC CHAIN SHARPENER (Fast Sharp Models Only)

1. Screw automatic chain sharpener into threaded hole.
2. Continue turning automatic chain sharpener until you hear five (5) clicks.

Automatic Chain Sharpener



**Figure 5 - Automatic Chain Sharpener (Fast Sharp Models Only)**

## SAW CHAIN TENSION ADJUSTMENT

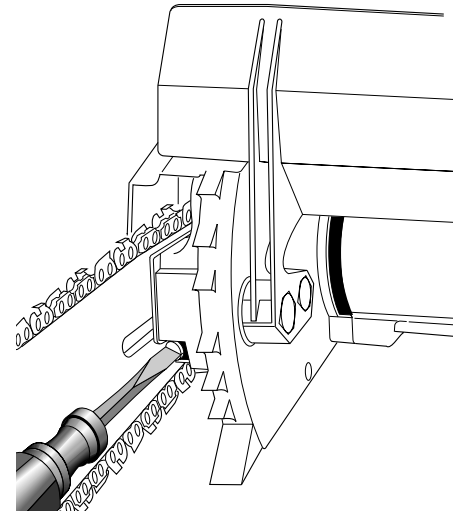
**⚠ WARNING:** Unplug chain saw from power source before adjusting saw chain tension.

**⚠ WARNING:** Cutting edges on chain are sharp. Use protective gloves when handling chain.

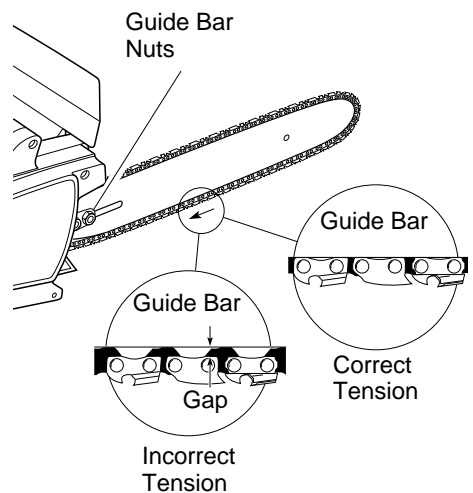
**⚠ WARNING:** Maintain proper chain tension always. A loose chain will increase the risk of kickback. A loose chain may jump out of guide bar groove. This may injure operator and damage chain, guide bar, and sprocket to wear rapidly.

*Note:* For pre-assembled models, the saw chain tension is properly set at factory. A new chain will stretch. Check new chain after first few minutes of operation. Allow chain to cool down. Follow steps below to readjust saw chain tension.

1. Before adjusting chain, make sure guide bar nuts are only finger tight (see Figure 3, page 6). Also make sure adjusting block is in oval adjusting hole on guide bar (see Figures 3 and 4, page 6).
2. Turn adjusting screw clockwise until all slack is out of chain (see Figure 6). *Note:* There should be no gap between side links of chain and bottom of guide bar (see Figure 7).
3. Wearing protective gloves, move chain around guide bar. Chain should move freely. If chain does not move freely, loosen chain by turning adjusting screw counterclockwise.
4. After chain tension is correct, tighten guide bar nuts firmly. If not, guide bar will move and loosen chain tension. This will increase the risk of kickback. This can also damage saw. *Note:* A new chain will stretch. Check new chain after first few minutes of operation. Allow chain to cool down. Readjust chain tension.



**Figure 6 - Turning Adjusting Screw**



**Figure 7 - Saw Chain Adjustment**

## FILLING OIL TANK

1. Remove oil cap.
2. Fill oil tank with SAE #30 motor oil. *Note:* For temperatures below 30°F, use SAE #10 oil. For temperatures above 75°F, use SAE #40 oil.
3. Replace oil cap at once. Tighten oil cap firmly for good seal. This will avoid oil seepage from tank.
4. Wipe off excess oil.

*Note:* It is normal for oil to seep when saw is not in use. Empty oil tank after each use to prevent seepage.

# REMINGTON®

## ELECTRIC CHAIN SAW

### OPERATING CHAIN SAW

**⚠ WARNING:** Read and understand this owner's manual before operating this saw. Make certain you read and understand all *Safety Warnings*, pages 2 and 3. Improper use of this chain saw can cause severe injury or death from fire, electrical shock, or body contact with moving chain, or falling wood.

### EXTENSION CORDS

Use proper extension cords with this saw. Use only extension cords marked for outdoor use. The cord must be marked with suffix W or W-A following the cord type designation. *Example:* SJTW-A or SJTW.

Use proper sized cord with this saw. Cord must be heavy enough to carry current needed. An undersized cord will cause voltage drop at saw. Saw will lose power and overheat. Follow cord size requirements listed below.

Cord Length	AWG Cord Size
25 feet	16 AWG
50 feet	16 AWG
100 feet	16 AWG
150 feet	14 AWG

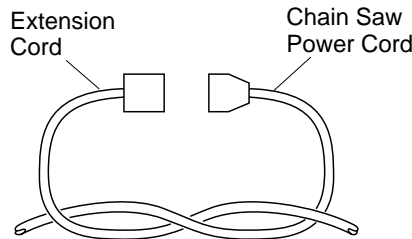
**Models LNT-2: 076728K, 100089-06, & 099178H; Pole Saw Assy 104317, Pole Saw 104316-04**

Cord Length	AWG Cord Size
25 feet	16 AWG
50 feet	16 AWG
100 feet	14 AWG
150 feet	12 AWG

**Models EL-7: 075762J, 098013J, 099039J, 100015, 100089-01, 100089-04, 100089-05, & 100089-07; EL-7 Fast Sharp 076702J; EL-1, EL-1 Fast Sharp**

Keep cord away from cutting area. Make sure cord does not catch on branches or logs during cutting. Inspect cords often. Replace damaged cords.

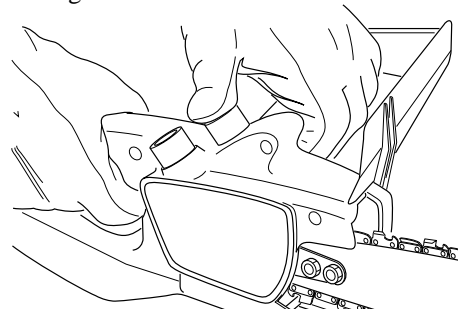
The extension cord may come undone from the power cord during use. To avoid this, make a knot with the two cords as shown in Figure 8 below.



**Figure 8 - Tying Extension Cord and Power Cord in Knot**

### OILING CHAIN

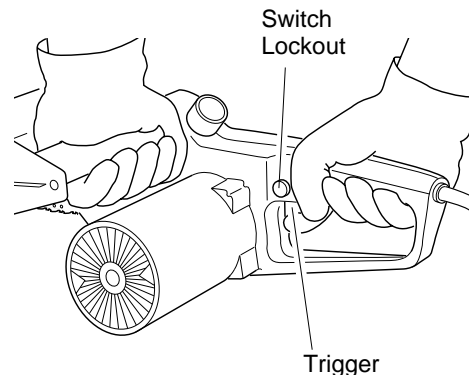
Always check oil level before using saw. To oil chain, press oil cap. Do not attempt to operate the oiler while cutting with the saw. Oil will feed onto guide bar and chain. Press oil cap at least once before each cut. Check oil level often by looking at oil sight level hole. Oil sight level hole is on left side of saw, between front handle and front hand guard.



**Figure 9 - Pressing Oil Cap to Oil Chain**

### CUTTING WITH THE CHAIN SAW

1. Connect saw to extension cord. Connect extension cord to power supply.
2. Make sure section of log to be cut is not laying on ground. This will keep chain from touching ground as it cuts through log. Touching ground with moving chain will dull chain.
3. Use both hands to grip saw. Always use left hand to grip front handle and right hand to grip rear handle. Use firm grip. Thumbs and fingers must wrap around saw handles (see Figure 10).
4. Make sure your footing is firm. Keep feet apart. Divide your weight evenly on both feet.
5. When ready to make a cut, press in switch lockout with right thumb and squeeze trigger (see Figure 10). This will turn saw on. Releasing trigger will turn saw off. Make sure saw is running at full speed before starting a cut.
6. When starting a cut, place moving chain against wood. Hold saw firmly in place to avoid possible bouncing or skating (sideways movement) of saw.
7. Guide saw using light pressure. Do not force saw. The motor will overload and can burn out. It will do the job better and safer at the rate for which it was intended.
8. Remove saw from a cut with saw running at full speed. Stop saw by releasing trigger. Make sure chain has stopped before setting saw down.
9. Practice until you can maintain a steady, even cutting rate.



**Figure 10 - Switch Lockout and Trigger Location**



## OPERATING CHAIN SAW

Continued

### FELLING A TREE (Cutting Down a Tree)

#### ⚠ WARNING:

- Avoid kickback. Kickback can result in severe injury or death. See *Kickback*, page 3 to avoid risk of kickback.
- Do not fell a tree without ample skill or expert help.
- Keep children, animals, and bystanders away from area when felling a tree.
- If two or more persons perform bucking and felling operations

⚠ **WARNING:** When felling a tree, be aware of your surroundings. Do not endanger any person, strike utility lines, or cause property damage. If tree strikes utility lines, contact utility company at once.

Felling is the process of cutting down a tree. Make sure your footing is firm. Keep feet apart. Divide your weight evenly on both feet. Follow directions below to fell a tree.

#### Before Felling a Tree

1. Before felling, inspect tree. Make sure there are no dead limbs or branches that may fall on you. Study natural lean of tree, location of larger branches, and wind direction. This will help you judge which way tree will fall.
2. Clear work area around tree.
3. Plan and clear a retreat path before felling. Make retreat path opposite to planned direction of fall of tree and at 45° angle (see Figure 11).
4. Remove dirt, stones, loose bark, nails, staples, and wire from tree where you will make felling cuts.
5. Stay on uphill side when felling tree. Tree could roll or slide downhill after falling.

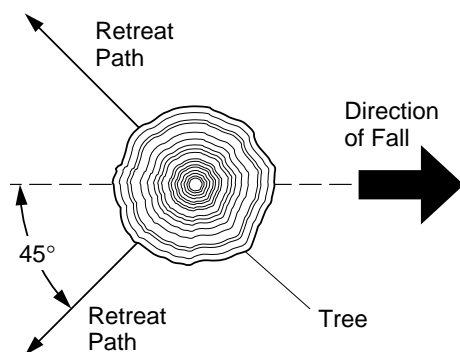


Figure 11 - Retreat Path From Tree

#### Felling Procedure

##### A) Felling Notch

A properly placed felling notch will determine direction tree will fall. Place felling notch on side of tree in direction you want tree to fall (see Figure 12). Follow directions below to create a felling notch.

1. Make lower notch cut as close to ground as possible. Hold saw so guide bar is horizontal. Cut 1/3 the diameter of tree trunk (see Figure 12). *Note:* Always make this horizontal lower notch cut first. If you make this cut second, tree can pinch chain or guide bar.
2. Start upper notch cut the same distance above first cut as first cut is deep.

Example: If lower notch cut is eight inches deep, start upper notch cut eight inches above it. Cut downward at 45° angle. The upper notch cut should meet end of lower notch cut (see Figure 12).

3. Remove tree trunk wedge created by notching cuts.

##### B) Felling Cut

1. Make felling cut two inches higher than lower notch cut and on opposite side of tree (see Figure 12). Keep felling cut parallel to lower notch cut.
2. Cut towards notch.

⚠ **WARNING:** Do not cut all the way through tree. Leave about two inches of tree diameter uncut directly behind felling notch (see Figure 12). This uncut portion acts as a hinge. The hinge helps keep tree from twisting and falling in wrong direction.

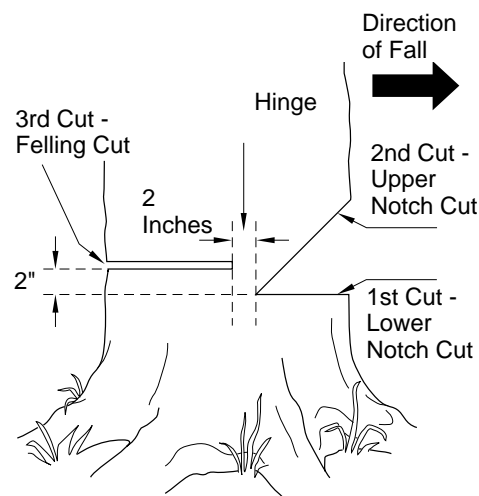


Figure 12 - Felling A Tree

3. As felling cut nears hinge, tree should begin to fall. *Note:* If needed, drive wedges into felling cut to control direction of fall. If tree settles back and pinches chain, drive wedges into felling cut to remove saw. Only use wedges made of wood, plastic, or aluminum. Never use wedge made of steel. This could cause kickback and damage to chain.
4. When tree begins to fall, quickly
  - remove saw from felling cut
  - release trigger to turn saw off
  - put saw down
  - exit area using retreat path

⚠ **WARNING:** Be alert for falling overhead limbs. Watch your footing while exiting area.

## ELECTRIC CHAIN SAW

### OPERATING CHAIN SAW

*Continued*

#### LIMBING A TREE

**⚠ WARNING:** Avoid kickback. Kickback can result in severe injury or death. See *Kickback*, page 3 to avoid risk of kickback.

**⚠ WARNING:** When cutting limb that is under tension, use extreme caution. Be alert for wood springing back. When wood tension is released, limb could spring back and strike operator causing severe injury or death.

Limbing is removing branches from a fallen tree. Make sure your footing is firm. Keep feet apart. Divide your weight evenly on both feet. Do not remove larger limbs under tree that support log off ground. Remove each limb with one cut (see Figure 13). Clear cut limbs from work area often. This will help maintain a safe work area.

Make sure you start your cut where limb will not pinch saw during cutting. To avoid pinching, start cut on freely hanging limbs from above limb. Start cut on limbs under tension from under limb. If pinch occurs, turn saw off, lift limb, and remove saw.

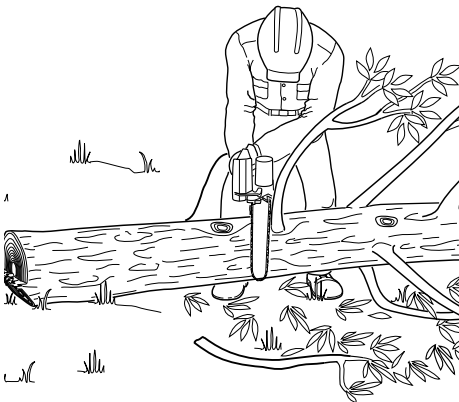


Figure 13 - Limbing A Tree

#### BUCKING A LOG

**⚠ WARNING:** Avoid kickback. Kickback can result in severe injury or death. See *Kickback*, page 3 to avoid risk of kickback.

**⚠ WARNING:**

- If on slope, make sure log will not roll down hill. Secure log by using wooden stakes. Drive wooden stakes into ground on downhill side of log. Stand on uphill side of log while cutting. Log may roll after cutting.
- Never try cutting through two logs at same time. This could increase the risk of kickback.
- While cutting log, never hold log with your hand, leg, or foot.
- While cutting log, never allow another person to hold log.
- Turn off and unplug saw before moving from one place to another.

Bucking a log is cutting a log into sections. Make sure your footing is firm. Keep feet apart. Divide your weight evenly on both feet. When possible, raise log or section off ground. Do this by using limbs, logs, chocks, etc.

When cutting through log, maintain control by reducing cutting pressure near end of cut. Do not relax your grip on chain saw handles. Do not let moving chain touch ground. Ground will dull moving chain. After cutting through log, release trigger to turn saw off before moving saw.

Follow directions below to buck a log.

#### Entire Length Of Log On Ground

Cut log from top (see Figure 14).

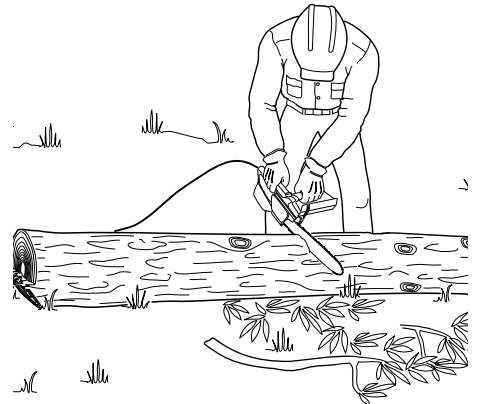


Figure 14 - Bucking Log With Entire Length On Ground

#### Log Supported On One End

1. Make first cut on underside of log (see Figure 15). Use top of guide bar to make this cut. Cut 1/3 through diameter of log. This cut will keep section from splintering when cut.
2. Make second cut directly above first cut. Cut down to meet first cut. This cut will keep log from pinching guide bar and chain.

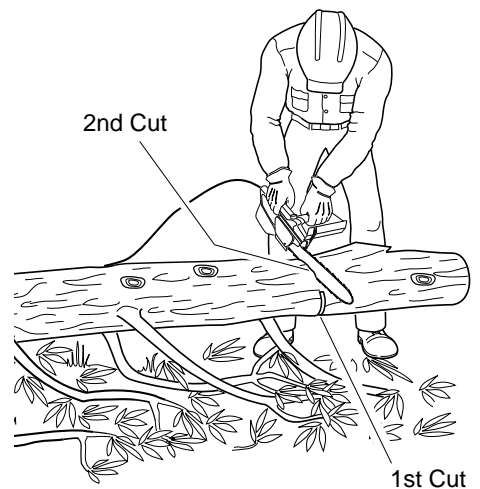


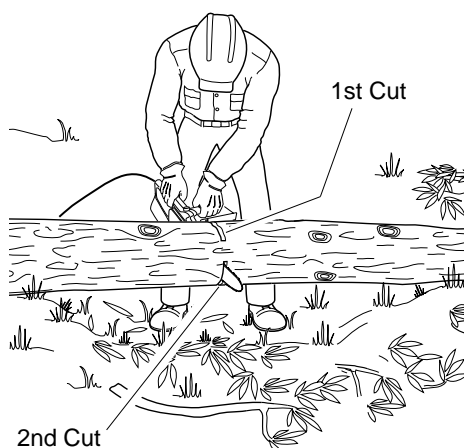
Figure 15 - Bucking Log When Log Is Supported On One End

## OPERATING CHAIN SAW

*Continued*

### Log Supported On Both Ends

1. Make first cut from above log (see Figure 16). Cut 1/3 through diameter of log. This cut will keep section from splintering when cut.
2. Make second cut on underside of log, directly under first cut. Use top of guide bar to make this cut. Cut up to meet first cut. This will keep log from pinching guide bar and chain.



**Figure 16 - Bucking Log When Log Is Supported On Both Ends**

### TRIMMING A TREE (Pruning)

**⚠ WARNING: Avoid kickback. Kickback can result in severe injury or death. See *Kickback*, page 3 to avoid risk of kickback.**

**⚠ WARNING: Do not operate chain saw while**

- in a tree
- on a ladder or any other unstable surface
- in any awkward position

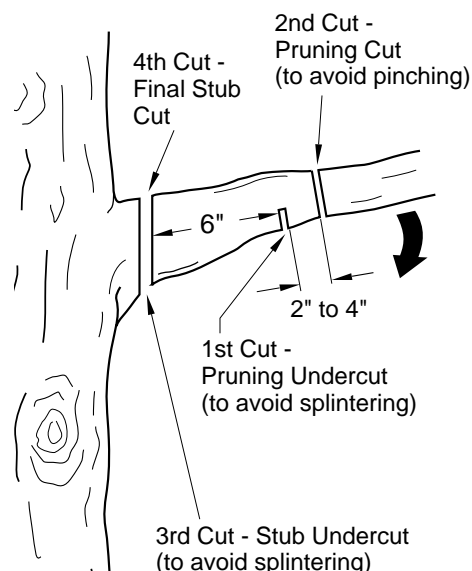
**You may lose control of saw causing severe injury.**

**⚠ WARNING: Do not cut limbs higher than your shoulders.**

**⚠ CAUTION: Seek professional help if facing conditions beyond your ability.**

Trimming a tree is the process of cutting limbs from a living tree. Make sure your footing is firm. Keep feet apart. Divide your weight evenly on both feet. Follow directions below to trim a tree.

1. Make first cut six inches from tree trunk on underside of limb. Use top of guide bar to make this cut. Cut 1/3 through diameter of limb (see Figure 17).
2. Move two to four inches farther out on limb. Make second cut from above limb. Continue cut until you cut limb off.
3. Make third cut as close to tree trunk as possible on underside of limb stub. Use top of guide bar to make this cut. Cut 1/3 through diameter of stub.
4. Make fourth cut directly above third cut. Cut down to meet third cut. This will remove limb stub.



**Figure 17 - Cutting A Limb**

## ELECTRIC CHAIN SAW

### CLEANING AND MAINTENANCE

**NOTICE:** Below are instructions for servicing your chain saw. Any servicing not mentioned below should be done by an authorized service center.

#### CLEANING SAW BODY

**⚠ WARNING:** Unplug chain saw from power source before servicing. Severe injury or death could occur from electrical shock or body contact with moving chain.

**⚠ WARNING:** Cutting edges on chain are sharp. Use protective gloves when handling chain.

**⚠ WARNING:** When cleaning saw body,

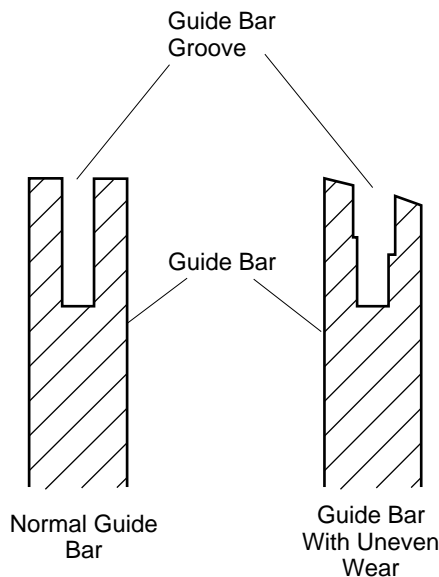
- do not submerge saw in any liquids
- do not use products that contain ammonia, chlorine, or abrasives
- do not use chlorinated cleaning solvents, carbon tetrachloride, kerosene, or gasoline

Keep saw body clean. Use a soft cloth dampened with a mild soap and water mixture. Wipe saw body to clean.

#### CARE OF GUIDE BAR

Uneven bar wear causes most guide bar problems. Incorrect sharpening of chain cutter and depth gauge settings often cause this. When bar wears unevenly, it widens guide bar groove (see Figure 18). This causes chain clatter and rivet popping. Saw will not cut straight. Replace guide bar if this occurs.

Inspect guide bar before sharpening chain. A worn or damaged guide bar is unsafe. A worn or damaged guide bar will damage chain. It will also make cutting harder.



**Figure 18 - Guide Bar Cross Section Showing Uneven Bar Wear**

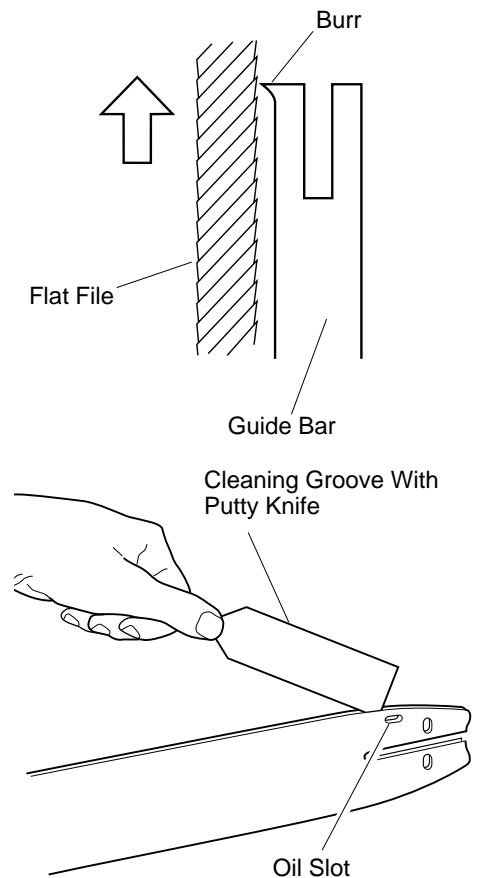
#### Normal Guide Bar Maintenance

1. Remove guide bar from chain saw.
2. Remove sawdust from guide bar groove periodically. Use putty knife or wire.
3. Clean oil slots after each day of use.
4. Remove burrs from sides of guide bar. Use flat file to make side edges square.

Replace guide bar when

- bar is bent or cracked
- inside groove of bar is badly worn

*Note:* When replacing guide bar, see *Replacement Parts and Accessories*, page 19, for proper bar.



**Figure 19 - Guide Bar Maintenance**

## CLEANING AND MAINTENANCE

*Continued*

### SHARPENING SAW CHAIN (Non-Fast Sharp Model)

**⚠ WARNING: Unplug chain saw from power source before servicing. Severe injury or death could occur from electrical shock or body contact with moving chain.**

**⚠ WARNING: Cutting edges on chain are sharp. Use protective gloves when handling chain.**

Keep chain sharp. Your saw will cut faster and more safely. A dull chain will cause undue sprocket, guide bar, chain, and motor wear. If you must force chain into wood and cutting creates only sawdust with few large chips, chain is dull.

#### Items Needed to Sharpen Chain

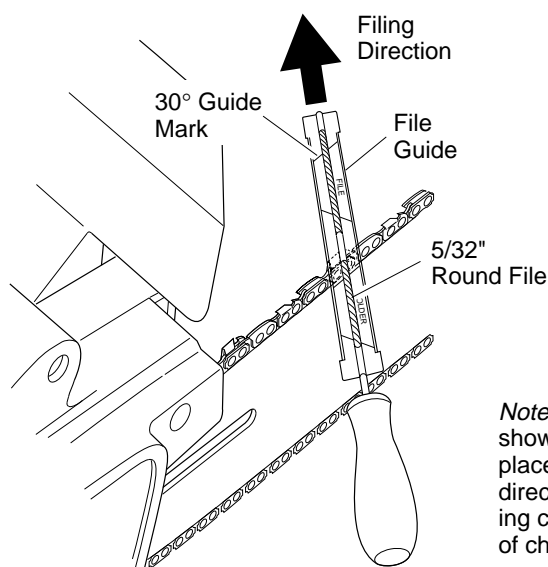
Purchase these items from your local dealer, hardware store, or chain saw supplies outlet.

- 5/32" round file
- Depth gauge tool
- File guide
- Vise
- Medium sized flat file

### Sharpening Cutters

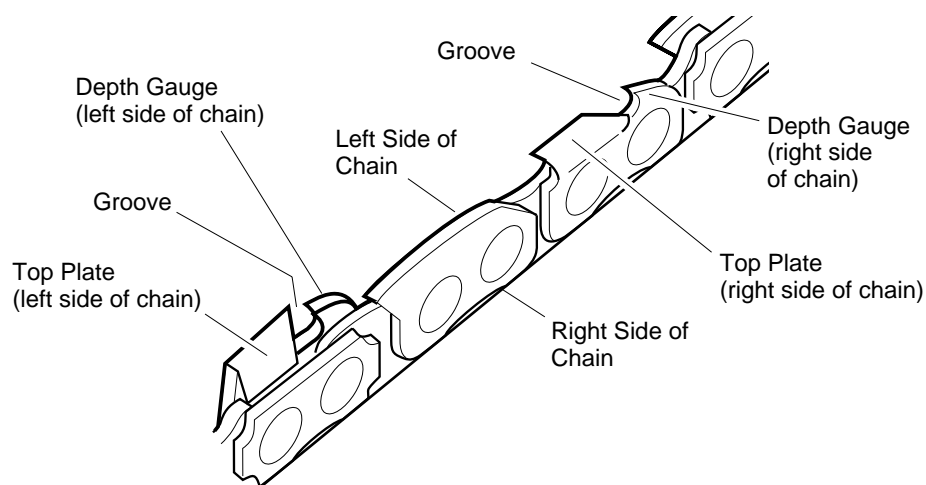
Use file guide for 30° filing.

1. Adjust chain for proper tension (see *Saw Chain Tension Adjustment*, page 7).
2. Clamp guide bar in vise to hold saw steady. *Note:* Do not clamp chain.
3. Press 5/32" round file (attached to file guide) into groove between top plate and depth gauge on chain. File guide should rest on both top plate and depth gauge (see Figures 20 and 21). *Note:* File at midpoint of guide bar.
4. Hold file guide level. Make sure 30° mark on file guide is parallel to center of guide bar (see Figure 20). This will insure that you file cutters at 30° angle.
5. File from inside towards outside of cutter until sharp. Only file in this one direction (see Figure 20). *Note:* Two or three strokes with file should sharpen cutter.
6. After each cutter is sharpened, move chain forward to sharpen next cutter. File all cutters on one side of chain.
7. Move to other side of chain and repeat process.



*Note:* This illustration shows file guide placement and filing direction for sharpening cutters on left side of chain.

**Figure 20 - File and File Guide Placement On Chain**



**Figure 21 - Chain Part Locations**

*Continued*

## ELECTRIC CHAIN SAW

### CLEANING AND MAINTENANCE

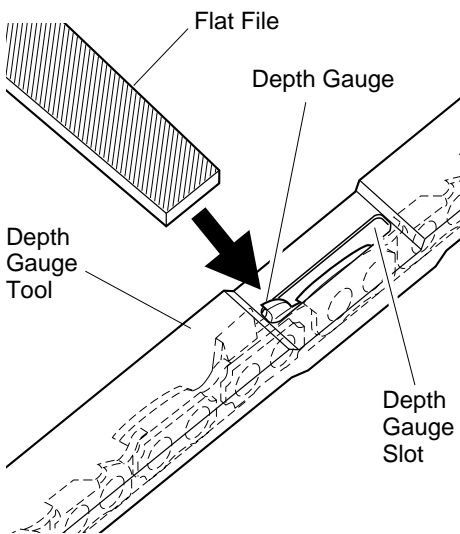
*Continued*

#### Filing Cutter Depth Gauges

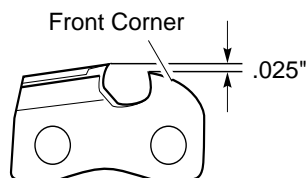
The cutter depth gauge clearance is reduced as cutters are sharpened. After every second or third sharpening, reset cutter depth gauges.

1. Place depth gauge tool (.025") firmly across top of two cutters. Make sure depth gauge enters slot in depth gauge tool (see Figure 22).
2. Use medium flat file. File depth gauge level with depth gauge tool.
3. Remove depth gauge tool. With flat file, round off front corner of cutter depth gauge (see Figure 23).

After several hand filings, have authorized service center or sharpening service machine sharpen chain. This will insure even filing.



**Figure 22 - Depth Gauge Tool On Chain**



**Figure 23 - Round Off Front Corner Of Depth Gauge**

#### SHARPENING SAW CHAIN (Fast Sharp Model)

**⚠ WARNING: Unplug chain saw from power source before servicing. Severe injury or death could occur from electrical shock or body contact with moving chain.**

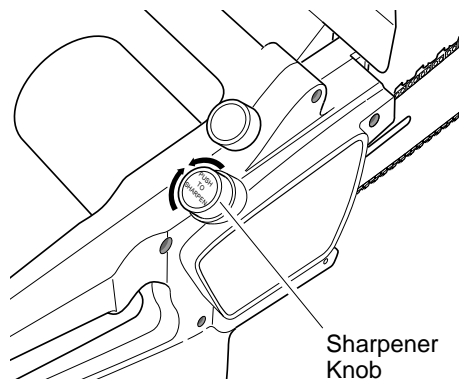
**⚠ WARNING: Cutting edges on chain are sharp. Use protective gloves when handling chain.**

**⚠ WARNING: Do not hand-sharpen this Fast Sharp chain. Hand-sharpening chain will increase risk of kickback.**

Keep chain sharp. Your saw will cut faster and more safely. A dull chain will cause undue sprocket, guide bar, chain, and motor wear. If you must force chain into wood and cutting creates only sawdust with few large chips, chain is dull.

Follow the steps below to sharpen Fast Sharp chain. The automatic chain sharpener sharpens cutter, lowers cutter depth gauge, and adjusts guard drive link.

1. Adjust saw chain for proper tension (see *Saw Chain Tension Adjustment*, page 7).
2. Clean out excess sawdust and wood chips from drive sprocket area.
3. Turn sharpener knob counterclockwise until clicking stops (see Figure 24).
4. Turn sharpener knob clockwise until you hear five distinct clicks.

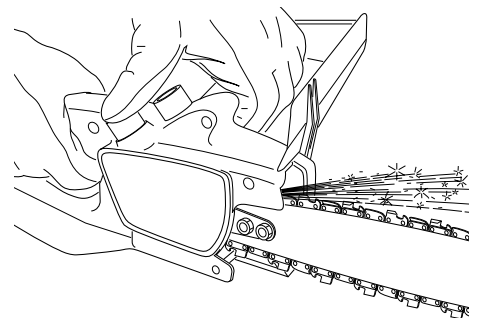


**Figure 24 - Turning Sharpener Knob**

5. Place saw on clean, flat surface.
6. Connect saw to power supply.
7. Hold saw, with both hands in normal cutting position.
8. Press in switch lockout with right thumb and squeeze trigger.
9. Gently push on sharpener knob. Saw must be running for chain to sharpen.

**Note:** Sparks appearing shows sharpener is working (see Figure 25). If no sparks appear, continue to adjust sharpener one click at a time. After each click, press sharpener knob until light flow of sparks appears.

After several sharpenings, you must turn sharpener knob more to bring stone into position.



**Figure 25 - Sharpening Fast Sharp Chain**

#### REPLACING SAW CHAIN

Replace chain when cutters are too worn to sharpen or when chain breaks. Only use replacement chain noted in this manual. Always include new drive sprocket when replacing chain. This will maintain proper driving of chain. **Note:** For proper chain and drive sprocket, see *Replacement Parts and Accessories*, page 19.

# OWNER'S MANUAL

## TROUBLESHOOTING

*Note:* For additional help, visit DESA International's Technical Service web site at [www.desatech.com](http://www.desatech.com).

**⚠ WARNING:** Unplug chain saw from power source before servicing. Severe injury or death could occur from electrical shock or body contact with moving chain.

OBSERVED FAULT	POSSIBLE CAUSE	REMEDY
Saw runs, but does not cut	Chain assembled backwards on guide bar	See <i>Assembly</i> , page 6
Saw does not cut unless heavily forced. Cutting produces only sawdust with few large chips	Chain is dull	See <i>Sharpening Saw Chain</i> , page 13 (non-Fast Sharp model) or page 14 (Fast Sharp model)
Saw runs slow. Saw stalls easily	Low power supply voltage	Extension cord wire size too small. See <i>Extension Cords</i> , page 8
Motor of saw does not run when you squeeze trigger	<ol style="list-style-type: none"><li>1. Switch lockout not pressed in to release trigger</li><li>2. Extension cord connections loose</li><li>3. Open line fuse or circuit breaker</li><li>4. Bad motor brushes</li><li>5. Open wiring circuit on saw</li></ol>	<ol style="list-style-type: none"><li>1. Press in switch lockout before squeezing trigger</li><li>2. Check cord connections</li><li>3. Check line fuse or circuit breaker</li><li>4. See authorized service center</li><li>5. See authorized service center</li></ol>
Motor of saw runs, but chain does not move	Gear train failure	See authorized service center
Chain does not get oil	<ol style="list-style-type: none"><li>1. Clogged oil slot in guide bar</li><li>2. Oil is too thick</li></ol>	<ol style="list-style-type: none"><li>1. Remove guide bar and clean oil slot</li><li>2. Use correct weight of oil. See <i>Filling Oil Tank</i>, page 7</li></ol>
Chain comes off guide bar	<ol style="list-style-type: none"><li>1. Chain is loose</li><li>2. Guide bar and chain not assembled right</li></ol>	<ol style="list-style-type: none"><li>1. Tighten chain. See <i>Saw Chain Tension Adjustment</i>, page 7</li><li>2. See <i>Assembly</i>, page 6</li></ol>
Saw smokes	Saw damaged. Do not use saw	See authorized service center
Saw leaks oil	Oil cap is not secure	Tighten oil cap. <i>Note:</i> Empty oil tank when not in use

## STORAGE

If storing saw for more than 30 days, follow steps below.

1. Drain oil tank.
2. Remove and clean guide bar and chain. Clean guide bar and chain by soaking in petroleum based solvent or mild soap and water mixture.
3. Dry guide bar and chain.
4. Place chain in container filled with oil. This will prevent rust.
5. Wipe a thin coating of oil over surface of guide bar.
6. Wipe off outside of saw body. Do this with soft cloth dampened with a mild soap and water mixture.

7. Store chain saw
  - in a high or locked place, out of children's reach
  - in a dry place
  - in a carrying case or with scabbard over guide bar

## TECHNICAL SERVICE

You may have further questions about assembling, operating, or maintaining this saw. If so, contact DESA International's Technical Service Department at 1-800-323-5190.

You can also visit DESA International's Technical Service web site at [www.desatech.com](http://www.desatech.com).

## SERVICE PUBLICATIONS

You can buy a service manual from address listed on back page of this manual. Send a check for \$5.00 payable to DESA International.

You can receive an illustrated parts list free of charge. Send a self-addressed stamped envelope to address on back page of this manual.

When writing, include model number and serial number of saw. You will find these numbers on saw motor housing decal.

# REMINGTON®

## ELECTRIC CHAIN SAW

### PARTS CENTRALS

Ray's Portable Heater Service  
3191 Myers Road  
Camino, CA 95709-9550  
530-644-7716

Baltimore Electronics  
1348 Dixwell Avenue  
Hamden, CT 06514-0322  
203-248-7553  
1-800-397-7553

Eckley's Small Engine  
31617 Spruce Drive  
Eustis, FL 32726-9592  
352-357-6764

Parts Company of America  
1657 Shermer Road  
Northbrook, IL 60062-5362  
708-498-5900  
1-800-323-0620

Portable Heater Parts  
342 North County Road 400 East  
Valparaiso, IN 46383-9704  
219-462-7441  
1-800-362-6951

FBD  
1349 Adams Street  
Bowling Green, KY 42103-3414  
502-846-1199  
1-800-654-8534

Lyons & Lyons Sales Co. Inc.  
Glen Arm Road  
Glen Arm, MD 21057-9454  
301-665-6500  
1-800-333-5966

Master Parts Distributors  
1251 Mound Ave. NW  
Grand Rapids, MI 49504-2672  
1-616-791-0505  
1-800-446-1446

Four Flags Power Products  
1115 Stateline Road  
Niles, MI 49120-4728  
616-684-2697  
1-800-268-4983

Hance Distributors Inc.  
12795 16th Avenue North  
Plymouth, MN 55441-4556  
612-559-2299

Automotive Equipment Service  
3117 Holmes  
Kansas City, MO 64109-1716  
816-531-9144  
1-800-843-3546

Sun Appliance Service Center  
1687 Central Avenue  
Albany, NY 12205-4021  
518-869-9591

Forrest Lytle and Sons Inc.  
740 West Galbraith Road  
Cincinnati, OH 45231-6002  
513-521-1464

Bortz Chain Saw Shop  
Road #2, Box 64A  
Oley, PA 19547-9412  
610-987-6452

21st Century  
2950 Fretz Valley Road  
Perkasie, PA 18944-4034  
215-795-0400  
1-800-325-4828

LaPortes' Parts & Service  
2444 N 5th Street  
Hartsville, SC 29550-7704  
803-332-0191

Webbs Appliance Center  
1519 Church Street  
Nashville, TN 37203-3004  
615-329-4079  
1-800-899-4079

Industrial Hardware  
4109 Bainbridge Blvd.  
Chesapeake, VA 23324-1403  
757-543-2232  
1-800-788-0008

Mills Lawn and Garden  
4750 B. Baxter Road, Unit B  
Virginia Beach, VA 23462-4402  
757-490-7001

Tuco Industrial Products  
5223 180th Street SW  
Suite 4A-1  
Lynnwood, WA 98037-4506  
425-743-9533  
1-800-735-1268

### AUTHORIZED SERVICE CENTERS

#### ALABAMA (AL)

A & O General Repair Service  
1470 Opelika Road  
Auburn, AL 36830  
334-821-7022

Southern Power Tool  
3956 Government Blvd.  
Mobile, AL 36693  
334-666-3623

#### ARIZONA (AZ)

Best Brothers Lawnmower Repair  
5549 W. Glendale Avenue  
Glendale, AZ 85301  
602-939-9170

D & L Small Engines, Inc.  
10023 North 19th Ave.  
Phoenix, AZ 85021  
602-861-1978

Power Tool Service Center  
660 East 19th Street  
Tucson, AZ 85719  
520-884-8974

#### CALIFORNIA (CA)

Ray's Portable Heater Service  
3191 Meyers Road  
Camino, CA 95709  
530-644-7716

California Electric Service  
1170 G. Burnett Avenue  
Concord, CA 94520  
510-827-1011

California Electric Service  
612 South Shoppers Lane  
Covina, CA 91723  
818-915-4935

California Electric Company  
1208 East Ash Avenue  
Fullerton, CA 92631  
714-870-0900

J & N Garden Equipment  
4460 W. Imperial Hwy.  
Inglewood, CA 90304  
310-671-0079

California Electric Company  
11284 Los Alamitos Blvd.  
Los Alamitos, CA 90720  
310-596-7895

California Electric Service  
23725 Via Fabricante, Unit B  
Mission Viejo, CA 92691  
714-586-9440

California Electric Service  
1139 East 12th Street  
Oakland, CA 94606  
510-834-1050

California Electric Service  
2594 East Colorado Blvd.  
Pasadena, CA 91107  
818-792-3194

California Electric Service  
1717 Bell Street  
Sacramento, CA 95814  
916-443-5711

California Electric Service  
3430 El Cajon Blvd.  
San Diego, CA 92104  
619-283-6488

California Electric Service  
1090 Bryant Street  
San Francisco, CA 94103  
415-431-8494

California Electric Service  
783 The Alameda  
San Jose, CA 95126  
408-295-0475

Lawnmower & Saw  
3115 S. Main Street  
Santa Ana, CA 92707  
714-540-5307

Rincon Valley Yard & Garden  
4972 Sonoma Hwy  
Santa Rosa, CA 95409  
707-593-4124

California Electric Service  
41715 Enterprise Circle North  
Suite 101  
Temecula, CA 92590  
909-695-5445

California Electric Service  
14753 Oxnard Street  
Van Nuys, CA 91411  
818-997-8855

California Electric Service  
2314 South Westwood Blvd.  
W. Los Angeles, CA 90064  
310-475-2532

PBI  
3160 Industrial Drive  
Yuba City, CA 95993  
916-671-1871

#### COLORADO (CO)

McGuckin Power Equipment Center  
2845 Valmont Road  
Boulder, CO 80302  
303-443-9317

Ace Mower and Small Engines  
4718 Chromium Drive  
Colorado Spring, CO 80918  
719-593-0862

Bartell Tool Service  
1448 W. Cedar Avenue  
Denver, CO 80223  
303-777-5463

Metrogas Equipment Company  
790 West 64th Ave.  
Denver, CO 80221  
303-428-3036

Winfrey's Repair  
317 8th Street  
Greeley, CO 80631  
970-353-9576

AAA Electric Company, Inc.  
24 South Main Street  
Longmont, CO 80501  
330-776-6031

Dales Electric Motor Repair  
932 Coffman Street  
Longmont, CO 80501  
303-651-6907

#### CONNECTICUT (CT)

Baltimore Electronics  
1348 Dixwell Avenue  
Hamden, CT 06514  
203-248-7553  
1-800-397-7553

Utility Electric Service  
53 Main Street  
Hartford, CT 06106  
860-246-7271

Goodies Sales and Service  
133 Hamilton Street  
New Haven, CT 06515  
203-865-1470

Appliance Servicer of Stamford  
15 Cedar Heights Road  
Stamford, CT 06905  
203-322-7656

#### FLORIDA (FL)

Cricket Shop  
3012 39th Avenue West  
Bradenton, FL 34205  
941-755-7758

Eckley's Small Engine  
31617 Spruce Drive  
Eustis, FL 32736  
352-357-6764

Al's Small Engine, Inc.  
2620 Blanding Blvd.  
Middleburg, FL 32068  
904-282-5416

S TEK Power Tools  
2605 South Orange Avenue  
Orlando, FL 32806  
407-851-5642

Lindle & Sons Electric Motor Repair  
7016 Hwy. 22  
Panama City, FL 32401  
850-871-1722

Eustis and Sons, Inc.  
7035 66th Street North  
Pinellas Park, FL 34665  
813-544-1486

Mulvaney's Inc.  
2148 W. Tennessee Street  
Tallahassee, FL 32304  
904-576-5578

A-1 Tool Rental, Inc.  
2509 South State Road 7  
West Hollywood, FL 33023  
305-961-9250

#### GEORGIA (GA)

Hamilton Hardware  
5300 Veterans Pkwy.  
Columbus, GA 31904  
706-322-6545

Cowan Ace Hardware  
1264 Green Street  
Conyers, GA 30207  
770-483-8818

Douglasville Ace Hardware  
6530 Church Street  
Douglasville, GA 30133  
770-942-7044

S & P Rental & Supply Co.  
259 Clayton Street  
Lawrenceville, GA 30245  
770-963-0392

Tifton Electric Motors  
1265 US Hwy. 82E  
Tifton, GA 31794  
912-382-4040

#### IDAHO (ID)

Rossiter Electric  
1501 S. Capitol Ave.  
Idaho Falls, ID 83403  
208-529-3665

Steam Store Rocky Mountain, Inc.  
155 North Gate Mile  
Idaho Falls, ID 83401  
208-522-0609

Steam Store of Magic Valley, Inc.  
156 4th Avenue South  
Twin Falls, ID 83301  
208-734-3694

J & J Enterprises  
1704 Addison Avenue East  
Twin Falls, ID 83301  
208-733-2001

#### ILLINOIS (IL)

Cherry Valley Small Engine Repair  
702 East State Street  
Cherry Valley, IL 61016  
815-332-5636

Chainsaw Central  
11 E. Main Street  
Chicago Heights, IL 60411  
708-756-2280

Lange Electric  
912 E. Fayette  
Effingham, IL 62401  
217-347-7626

H & R Pump Company, Inc.  
2111 E. Washington Street  
Joliet, IL 60434  
815-726-2950

Mathis-Kelley Construction  
1046 W. Jefferson Street  
Morton, IL 61550  
309-266-9733

Ambraw Power Equipment  
310 E. Decatur Street  
Newton, IL 62448  
618-783-2821



# OWNER'S MANUAL

## INDIANA (IN)

Hutchens Sales and Service  
R.R. #5, Box 550  
Bloomfield, IN 47424  
812-876-1891

Nichols Ice & Oil  
2018 Park Road  
Connersville, IN 47331  
317-825-3741

B & W Repair Service  
213 N. Main Street  
Dale, IN 47523  
812-937-2576

Reggie's Small Engine Spec.  
3011 Lower Huntington Road  
Ft. Wayne, IN 46809  
219-747-6212

Eastside Electric  
928 East Lincoln  
Goshen, IN 46526  
219-533-3823

Mills Electric  
4828 Calumet Ave.  
Hammond, IN 46307  
219-931-3114

Tyrie Mower Repair  
110 South 16th Street  
Lafayette, IN 47905  
317-742-7886

Kabelin True Value Hardware  
512 Andrew Avenue  
Laporte, IN 46350  
219-362-7917

Krep's Small Engine Repair  
3301 East County Road 350 North  
Muncie, IN 47303  
317-282-5139

Lear Lawn & Garden  
2204 N. Wolfe Street  
Muncie, IN 47303  
317-282-6273

Li'l Engine Sales & Service, Inc.  
1428 Vincennes Street  
New Albany, IN 47150  
812-944-1377

Ertel & Sons Portable Welding  
109 E. Main Street  
Swayzee, IN 46986  
317-922-4611

Portable Heater Parts  
342 North County Road, 400 East  
Valparaiso, IN 46383  
219-462-7441

D W Handy's  
2112 S. 15th Street  
Vincennes, IN 47591  
812-886-0172

## IOWA (IA)

Brown's  
408 South Fifth Street  
Abel, IA 50003  
515-993-3053

Beal's Motor Rewinding  
600 West Beach  
Cherokee, IA 51012  
712-225-6173

Blink Electric Motors  
Rear 116 N. 1st Ave.  
Marshalltown, IA 50158  
515-752-3036

Fry Company  
Box 96 Thatcher Ave.  
Millerton, IA 50165  
515-897-3235

Moreland Repair  
2145 Jericho Road  
Peosta, IA 52068  
319-583-3669

Northeast Iowa Motor Service  
24665-150th Street  
Sumner, IA 50674  
319-578-5883

Black Hawk Rental  
324 West 15th Street  
Waterloo, IA 50702  
319-234-4421

## KANSAS (KS)

Abilene Rent-All & Sales  
1701 West 1st Street  
Abilene, KS 67410  
913-263-7668

NAAB Electric, Inc.  
2013 W. Jones  
Garden City, KS 67846  
316-276-8101

Morris Electric Repair  
2423 5th Street  
Great Bend, KS 67530  
316-792-2919

McPherson Rental Center  
911 West First Street  
McPherson, KS 67460  
316-241-3333

Town and Country  
2008 Princeton  
Ottawa, KS 66067  
913-242-3133

## KENTUCKY (KY)

Hart's Motor Service  
1747 Woodlawn Road  
Bardstown, KY 40004  
502-348-3270

E-Z Rent It Inc.  
1428 U.S. 31-W By-Pass  
Bowling Green, KY 42101  
502-782-9462

Roman's Repair Shop  
601 College Street  
Bowling Green, KY 42101  
502-746-0857

Hopkinsville Electric Motor  
704 W. 15th Street  
Hopkinsville, KY 42240  
502-886-7585

Maury's Fluorescent Appliance  
1521 Bardstown Road  
Louisville, KY 40205  
502-456-1671

Rental World, Inc.  
9509 Dixie Hwy.  
Louisville, KY 40272  
502-935-8853

All States Industrial Repair  
728 E. Center Street  
Madisonville, KY 42431  
502-821-6555

Bluegrass Plumbing and Heating  
121 South First Street  
Richmond, KY 40475  
606-623-2390

## LOUISIANA (LA)

Welch Sales & Service  
13348 W. Main  
La Rose, LA 70373  
504-693-3351

Triangle Bicycle and Lawnmower  
5433 Crowder Road  
New Orleans, LA 70127  
504-241-3239

## MAINE (ME)

Richard's Electric Motor  
259 Main Street  
Caribou, ME 04736  
207-498-8950

Roger's Electric Motor Shop  
823-West Main Street  
Madawaska, ME 04756  
207-728-4253

Rent-N-Save  
28 Allen Avenue  
Portland, ME 04103  
207-797-2223

L.A. Pickard Sales & Service  
383 Lewiston Road  
Topsham, ME 04086  
207-725-2874

## MARYLAND (MD)

Center Supply Company  
6802 Industrial Drive #208  
Beltsville, MD 20705  
301-595-0860

Lehmans Hardware, Inc.  
5921 Belair Road  
Baltimore, MD 21206  
410-483-5888

Norris Taylor Contractors, Inc.  
8480 Ocean Gateway  
Easton, MD 21601  
410-822-2050

Southern States Frederick Coop  
500 E. South Street  
Frederick, MD 21705  
301-663-6165

Lyons and Lyons Sales Co., Inc.  
Glen Arm Road  
Glen Arm, MD 21057  
410-665-6500

Chesapeake Rent All  
210 N. Stokes Street  
Havre De Grace, MD 21078  
410-939-1720

Tracy's Appliance Company  
520 Soleman's Island Road  
P. Frederick, MD 20678  
301-855-1818

## MASSACHUSETTS (MA)

Holander Electric, Inc.  
36 Walton Street  
Attleboro, MA 02703  
508-226-1060

Ormond's Inc.  
115R Dean Ave.  
Franklin, MA 02038  
508-528-2013

Beacon Lumber/Beacon Rental  
513 Church Street  
New Bedford, MA 02745  
508-995-1766

Grafton Power Equipment  
North Grafton Shopping Center  
9 Williams Road  
North Grafton, MA 01536  
508-839-6366

Mott's Tool Repair Service  
92 Rayber Road  
Orleans, MA 02653  
508-240-0764

Utility Electric Service #2  
810 Main Street  
Springfield, MA 01105  
413-781-1635

Franconia Fuel Company, Inc.  
379 Main Street  
Wareham, MA 02571  
508-295-0039

## MICHIGAN (MI)

R & A Service  
12900 Haggerty Road  
Belleville, MI 48111  
313-697-1144

Thompson's Rental Resale Repair  
11973 New Lothrop Road  
Byron, MI 48418  
810-266-4969

Renter Center, Inc.  
24948 Gratiot  
East Pointe, MI 48021  
810-772-8111

Master Service Center  
7876 Division  
Grand Rapids, MI 49504  
616-455-3117

Wolf Creek Farm Supply  
8011 Wolf Creek Road  
Herron, MI 49744  
517-727-2391

Chicago Drive Rentals, Inc.  
11298 Chicago Drive  
Holland, MI 49424  
616-396-9575

Fowler's Farm City Sales  
2876 West Washington Road  
Ithaca, MI 48847  
517-875-3976

Superior Industrial Sales & Service  
116 N. State Street  
Jackson, MI 49201  
517-784-0539

Norm's Electric Motor Repair  
414 Walbridge  
Kalamazoo, MI 49001  
616-382-5054

A & J Rentals  
550 S. 11th Street  
Niles, MI 49120  
616-684-3200

Four Flags Power Products  
1115 Stateline Road  
Niles, MI 49120  
616-684-2697

Bob's Service Shop  
2537 W. Drahn Road  
Oxford, MI 48371  
810-628-2601

Don's Small Engine Repair  
630 S. Mill Street  
Plymouth, MI 48170  
313-451-5656

Bid's Service, Inc.  
11276 E. Ten Mile  
Warren, MI 48089  
810-759-3040

## MINNESOTA (MN)

Patrick's Sales & Service  
415 - 8th Ave. NE  
Brainerd, MN 56401  
218-829-5356

Perry's Electrical Rebuilders  
24630 Hale Avenue  
Forest Lake, MN 55025  
612-464-8054

Hance Distributor, Inc.  
12795 16th Avenue North  
Plymouth, MN 55441  
612-559-2299

Hance Sales and Service  
11212 Wayzata Blvd.  
Minnetonka, MN 52343  
612-545-8467

Andy's Small Engine Repair  
209 9th Avenue, NE  
Rochester, MN 55906  
507-280-0373

Reed's Sales & Service  
1260 Payne Ave.  
St. Paul, MN 55101  
612-774-9515

## MISSISSIPPI (MS)

Handy Man Rentals  
1904 Shiloh Road  
Corinth, MS 38834  
601-287-2460

## MISSOURI (MO)

Stewarts Enterprises  
7631 NW Salebarn Road  
Cameron, MO 64429  
816-632-6578

Northwest Power Sales  
RD #2, Box 200  
Maryville, MO 64468  
816-582-5080

Buchheit, Inc.  
Route 7, Box 239  
Perryville, MO 63775  
573-547-1010

## MONTANA (MT)

Tom's Service Repair  
1111-6th Avenue North  
Billings, MT 59103  
406-259-6179

Mosch Electric Motors, Inc.  
2513 - 17th St. NE  
Black Eagle, MT 59414  
406-453-2481

Sun Rental Center  
1301 - 3rd St. NW  
Great Falls, MT 59404  
406-761-6688

## NEBRASKA (NE)

Hatten's Electric Service  
130 S. Hastings, Box 843  
Hastings, NE 68901  
402-463-4596

Lincoln Tool Service Center  
3535 North 40th Street  
Lincoln, NE 68404  
402-464-1157

Flohr Electric Motor  
4356 South 90th Street  
Omaha, NE 68127  
402-331-6863

MSE Parts Unlimited  
4935 South 136th Street  
Omaha, NE 68137  
402-895-0806

Ted's Mower Sales and Service, Inc.  
5155 Q. Street  
Omaha, NE 68117  
402-731-7058

LaVern Hass Repair  
1204 - 1st Road  
Wisner, NE 68791  
402-529-6846

## NEVADA (NV)

Fallon Saw & Tool  
300 N. Marine St.  
Fallon, NV 89406  
702-423-1888

One Stop Shop  
1408 Industrial Way #3  
Gardnerville, NV 89410  
702-782-7004

## NEW HAMPSHIRE (NH)

Taylor Rental Center  
223 Winchester Street  
Keene, NH 03431  
603-352-0539

Kingston Enterprises  
85 North Road  
Kingston, NH 03848  
603-642-3506

Hammar Industrial Supply  
175 Amherst Street  
Nashua, NH 03061  
603-822-5161

Exeter Rent All  
State Rt 27, Box 68A  
Raymond, NH 03077  
603-895-6583

# REMINGTON®

## ELECTRIC CHAIN SAW

### NEW JERSEY (NJ)

Complete Saw Service  
336 River Road  
Garfield, NJ 07026  
201-478-7838

Nemeth's Mower Service  
55 - 4th Ave.  
Haskell, NJ 07420  
201-835-0080

Air & Electric Tool Service, Inc.  
215 North 8th Street  
Kenilworth, NJ 07033  
908-272-5567

Associated Industries  
Rd 38, Box 2486  
Mt. Holley, NJ 08060  
609-267-8417

Woodchuck's Lawnmower  
and Appliance  
220 Whitehorse Pike  
Magnolia, NJ 08049  
609-783-1111

Myron Tepper/Tep's Power  
Equipment  
1007 N. High Street  
Millville, NJ 08332  
609-825-8294

Capitol Service & Equipment  
551 New Market Road  
Piscataway, NJ 08855  
908-968-5577

Handyman's Tool Shop  
508 State Hwy. #10  
Randolph, NJ 07869  
201-361-1581

Sam's Repair Shop  
137 W. Bennett Ave.  
Wildwood, NJ 03077  
603-895-6583

### NEW MEXICO (NM)

K & S Service Center  
7521 Menaul N.E.  
Albuquerque, NM 87110  
505-884-6262

### NEW YORK (NY)

Sun Appliance Service Center  
1687 Central Avenue  
Albany, NY 12205  
518-869-9591

Valley Mower Service  
2857 Ellis Creek Road  
Barton, NY 13734  
607-589-4825

White Tool Supply Inc.  
3047 Atlantic Avenue  
Brooklyn, NY 11208  
718-227-8844

Shields Brothers of Buffalo  
1410 Main Street  
Buffalo, NY 14209  
716-883-3860

Lehman's Farm & Home Supply  
Route 26  
Denmark, NY 13631  
315-493-1151

John's Engine Repair  
10482 Sisson Hwy.  
Eden, NY 14057  
716-337-3719

M & S Repair Shop  
303 Hilltop Drive  
Elma, NY 14059  
716-652-0311

Crossbay Appliance Service  
158-34 Crossbay Blvd.  
Howard Beach, NY 11414  
718-843-4422

Belco Equipment Company  
3801 - 29th Street  
Long Island City, NY 11101  
718-361-1122

Para-Deys Tools  
708 Victor Road  
Macedon, NY 14502  
315-986-2520

Advanced Power Equipment  
101 Fairgrounds Drive  
Manlius, NY 13104  
315-682-4010

P & C  
12 East Street  
Nunda, NY 14517  
716-468-5050

Otega Repair  
Rd #2, Ostdawa Ave.  
Otego, NY 13825  
607-988-7859

Owego Agway Coop  
38 West Avenue  
Owego, NY 13827  
607-687-2039

Jack-n-Heater Service  
185 Beartown Road  
Painted Post, NY 14870  
607-962-1239

Larmon Small Engine  
16353 Co. Rt. 91  
Pierrepont Manor, NY 13674  
315-465-6671

R & D Mower & Snowblower  
Sales and Service  
1630 Empire Blvd.  
Webster, NY 14580  
716-671-9409

Bedford Appliance, Inc.  
1173 Yonkers Ave.  
Yonkers, NY 10704  
914-237-7575

### NORTH CAROLINA (NC)

Ray's Lawn Mower & Machine  
1414 Landis Avenue  
Charlotte, NC 28205  
704-377-1112

Martin Equipment Company  
4209-B US 70 E.  
Goldsboro, NC 27534  
919-778-5996

Hickory Home & Garden Center  
336 HWY 321 NW  
Hickory, NC 28601  
704-327-3719

Bowden Electric Motor Service  
1681 S. Wesleyan Blvd.  
Rocky Mount, NC 27803  
919-446-4203

Small Engine Performance Ctr.  
312 Eldred  
Valdese, NC 28690  
704-879-9652

### NORTH DAKOTA (ND)

Fix-It Shop  
316 - 21st St. East  
Dickinson, ND 58601  
701-225-0766

Ted's Saw Service  
412 South 4th Street  
Grand Forks, ND 58201  
701-775-7343

Craig's Small Engine Repair  
508 East 2nd Street  
Williston, ND 58801  
701-774-0798

### OHIO (OH)

Carter Electrical Repair  
3448 Lunar Rd. NE  
Carrollton, OH 44615  
330-627-4061

Northwest Mower Sales and Service  
6086 Cheviot Road  
Cincinnati, OH 45247  
513-385-2400

Forrest Lytle & Sons  
740 W. Galbraith Road  
Cincinnati, OH 45231  
513-521-1464

Anytool Precision Sharpening Repair  
21150 Lorain Road  
Cleveland, OH 44126  
216-356-1920

North East Mower Service  
412 East 156th Street  
Cleveland, OH 44110  
216-531-8197

Pecnik's Lawnmower Service  
732 East 163rd Street  
Cleveland, OH 44110  
216-531-8480

Lefeld Welding & Steel Supply  
512 N. Second Street  
Coldwater, OH 45828  
419-678-2397

Dayton Hardware & Supply  
16-32 N. Irwin Street  
Dayton, OH 45404  
513-258-3721  
1-800-762-3426 Ohio only

Ken's Repair  
3246 S. Sectionline  
Delaware, OH 43015  
614-369-4798

Lavon Dietsch Repair  
07145 Scott Rd. Rt #2  
Edgerton, OH 43517  
419-298-2948

Anytool & Outdoor Power Equip.  
21150 Lorain Road  
Fairview Park, OH 44126  
216-356-1920

LaGrange True Value  
300 E. Main Street  
LaGrange, OH 44050  
216-355-4222

Deep Run Mower Service  
58781 Heil Addn. Deep Run  
Martins Ferry, OH 43935  
614-859-6131

Worcester Sales and Service  
34200 Lorian Road  
N. Ridgeville, OH 44039  
216-327-2196

Staker Sales & Service  
1424 Ninth Street  
Portsmouth, OH 45662  
614-353-6965

Leonard Hardware  
145 North 15th Street  
Sebring, OH 44672  
330-938-6329

Sparks Sales & Service  
5184 Fletcher Chapel Road  
Springfield, OH 45502  
513-323-5925

Eckert Bros.  
244 Factory Street  
Sugarcreek, OH 44681  
216-852-2611

Larry's Mini Engines  
4732 US Route 20 West  
Wakeman, OH 44889  
216-839-2508

### OKLAHOMA (OK)

B.M.I. Inc.  
13102 East 1st Street  
Broken Arrow, OK 74012  
918-252-0011

H. L. Moss  
1714 E. 15th Street  
Tulsa, OK 74104  
918-744-1305

Kay Electric Motors Inc.  
810 48th Street  
Woodward, OK 73801  
405-256-3254

### OREGON (OR)

Turner's Lawnmower and Saw  
728 SE Robin Way  
Gresham, OR 97080  
503-665-5441

Pendleton Grain Growers  
200 S. 1st Street  
P.O. Box 1248  
Hermiston, OR 97801  
541-567-5591

Mattix Appliance Parts Company  
501 N. Main  
Phoenix, OR 97535  
541-535-6263

Oregon Appliance  
2137 East Burnside Street  
Portland, OR 97214  
503-235-6681

### PENNSYLVANIA (PA)

Albright's Hardware  
2119 Wabert Ave.  
Allentown, PA 18104  
610-433-3831

General Rental & Sales Center  
Old Rt 1 & 41  
Avondale, PA 19311  
610-268-2825

Bud's Tractor and Mower Service  
21 Bock Lane  
Baden, PA 15005  
412-869-7142

Copper Creek  
Rd. #1, Locust Valley  
Barnesville, PA 18214  
717-467-2792

Passmore Service Center  
1108 Rt. 100  
Betcheville, PA 19505  
610-367-9084

Engine Doctors  
20 Russell Blvd.  
Bradford, PA 16701  
814-362-3091

Pro-Fix  
Rear 681 Main Street  
Edwardsville, PA 18704  
717-288-0476

Carson's Hardware  
637-43 Main Street  
Hellertown, PA 18055  
610-838-7741

Eaton Enterprises  
240 Main Street  
Imperial, PA 15126  
412-695-0702

Valray Nurseries Inc.  
R.D. #8, Box 362  
Kittanning, PA 16201  
412-548-1579

Petrosky's Hardware & Supply Co.  
602 Alexandria Street  
Latrobe, PA 15650  
412-537-3541

Reddi-Rentals  
948 S. Woodbourne Rd.  
Levittown, PA 19057  
215-943-4800

Raymond, M. Nolt  
290 S. Shirk Road  
New Holland, PA 17557  
717-354-0198

Bortz Chainsaw Shop  
45 Bortz Road  
Oley, PA 19547  
610-987-6452

Snyder Electric Company  
1500 Chateau Street  
Pittsburgh, PA 15233  
412-231-3100

Stamm's Mower Repair  
Rd. 5, Pine Lane Box 150  
Selinsgrove, PA 17870  
717-743-7651

### SOUTH CAROLINA (SC)

Hall's Small Motor Repair  
225 Heathwood Drive  
Aiken, SC 29803  
803-649-6313

Todd's Electric Motor Repair  
110 Laurel Street  
Conway, SC 29526  
803-248-2444

LaPortes Parts & Service  
2444 N. 5th Street  
Hartsville, SC 29550  
803-332-0191

Turner Repair Service  
3 E. Belvue Road  
Taylors, SC 29687  
864-244-1746

### TENNESSEE (TN)

Cole's Small Equipment Center  
247-A Vance Tank Road  
Bristol, TN 37620  
615-968-1175

Vista Small Engine  
1510 Vista Lane  
Clarksville, TN 37043  
615-552-6953

Master Repair Service  
305 Elmore Road  
Crossville, TN 38555  
615-484-2061

The Speciality Shop  
2300 East Magnolia Avenue  
Knoxville, TN 37917  
423-523-6894

Authorized Equipment Service  
812 Polk Avenue  
Memphis, TN 38126  
901-774-0850

Webb's Appliance Service Center  
1519 Church Street  
Nashville, TN 37203  
615-329-4079

### TEXAS (TX)

Industrial Distributing Co.  
9411 Neils Thompson Dr.  
Austin, TX 78759  
512-837-4122

Bud's LP Gas & Supply  
225 Grand  
Channelview, TX 77330  
713-457-2456

Corpus Christi Power Tool & Rpr.  
3701 Agnes  
Corpus Christi, TX 78405  
512-883-1117

Freel Enterprise  
118 Elston  
Dallas, TX 75232  
214-376-9913

Hawn Equipment Rental  
7777 Hawn Freeway  
Dallas, TX 75217  
214-398-8121

Dyer Cycle  
4501 Dyer Street  
El Paso, TX 79930  
915-566-6022

Ray DeSpain's Inc.  
P.O. Box 184, Loop 494 North  
New Caney, TX 77357  
713-689-2121  
Service Department

# OWNER'S MANUAL

## UTAH (UT)

Roosevelt Service Center  
133 South 300 East, Box 1546  
Roosevelt, UT 84066  
801-722-2708

Longs Engine Service  
7536 Stone Road  
Salt Lake, UT 84121  
801-943-5135

Appliance Service Center  
210 E. 600 South  
Salt Lake City, UT 84111  
801-328-9703

## VERMONT (VT)

Brown and Roberts  
182 Main Street  
Brattleboro, VT 05301  
802-257-4566

## VIRGINIA (VA)

Industrial Hardware  
4109 Bainbridge Blvd.  
Chesapeake, VA 23324  
804-543-2232

Warren E. Smith Shops  
564 Reading Rd. Ext.  
300 Madestic Drive  
Christiansburg, VA 24073  
540-382-5501

Mills Repair Service  
4750 B. Baxter Road, Unit B  
Virginia Beach, VA 23462  
757-490-7001

American Power Equip. Ctr.  
6502 Horsepen Road  
Richmond, VA 23230  
804-285-4838

Stafford Equipment Sales & Service  
21055 Jefferson Davis Hwy.  
Stafford, VA 22554  
540-720-1710

Outdoor Power Equipment  
800 White Marsh Road  
Suffolk, VA 23434  
804-925-4933

## WASHINGTON (WA)

Action Small Appliance Service  
1500 145th Place SE  
Bellevue, WA 98005  
206-455-3578

TUCO Industrial Products  
5227 180th SW, Suite 4A-1  
Lynnwood, WA 98046  
206-743-9533

Action Small Appliance  
2125 Second Avenue  
Seattle, WA 98121  
206-448-2020

A to Z Rentals  
10903 E. Sprague  
Spokane, WA 99206  
509-924-2000

Lifficks Electric Shop  
8239 S. Park Avenue  
Tacoma, WA 98408  
206-474-7403

## WEST VIRGINIA (WV)

Beckley Mower Service  
3695 Robert C. Byrd Drive  
Beckley, WV 25802  
304-253-5748

Town and Country Supply  
4117 First Avenue  
Nitro, WV 25143  
304-755-3520

## WISCONSIN (WI)

Smith Petroleum Ltd.  
217 N. Walworth  
Darien, WI 53314  
414-724-3206

Ken's Economy Sales  
8887 Highway A  
Marshfield, WI 54449  
715-676-2143

Moore's Repair Service  
W287 & N2108 Stuart Drive  
Pewaukee, WI 53072  
414-691-2814

Morisse Power Center  
200 N. Chicago Avenue  
S. Milwaukee, WI 53172  
414-762-6444

## REPLACEMENT PARTS AND ACCESSORIES



**WARNING:** Use only replacement parts and accessories described in this manual. Use of other parts or accessories could damage saw or injure operator.

Purchase these accessories and parts from your nearest dealer or service center. If they can not supply these accessories or parts, either contact your nearest Parts Central or DESA International for referral information. Parts centrals are listed in this manual.

**DESA International**  
**P.O. Box 90004**  
**Bowling Green, KY 42102-9004**  
**1-800-972-7879**  
**Parts Department**

### LNT-2

Part Number	Description
104302-01S <sup>#</sup>	Guide bar, 8"
104301S <sup>#</sup>	Chain, 8"
097567-01S	Guide bar, 10"
091371S	Chain, 10"
097568-02S	Guide bar, 12"
091373S	Chain, 12"
075752	Drive sprocket

### 099178H, 100089-06, 100089-07 & EL-1

Part Number	Description
097570-01S	Guide bar, 14"
091374S	Chain, 14"
075752	Drive sprocket

<sup>#</sup> Must order both pieces.

\* Includes automatic chain sharpener.

### EL-1/EL-7 Fast Sharp

Part Number	Description
097570-01S	Guide bar, 14"
091367S*	Chain, 14"
076695	Drive sprocket

### EL-7, 098031J, 099039J, 100089-01, 100089-04, 100089-05

Part Number	Description
097572-03S	Guide bar, 16"
091375S	Chain, 16"
075752	Drive sprocket

### POLE SAW, 104316-04

### POLE SAW ASSEMBLY, 104317

Part Number	Description
104302-01S	Guidebar, 8"
104301S	Chain, 8"
075752	Drive Sprocket

### EL-7 - 100015

Part Number	Description
101623-01	Guide bar, 15"
101619-01	Chain, 15"
075752	Drive sprocket

### General

Part Number	Description
079963-02	Plastic scabbard, 8" & 10"
079963-04	Plastic scabbard, 12", 14", & 16"
079088-01	Hand Guard
077155	Adjusting Plate Assy.

## REPAIR SERVICE

*Note:* Only use original replacement parts. This will protect your warranty coverage for parts replaced under warranty.

Each authorized service center is independently owned and operated. For additional service center or warranty information, call 1-800-323-5190.

## WARRANTY SERVICE

If saw requires warranty service, return it to nearest authorized service center. You must show proof of purchase. If faulty materials or workmanship caused damage, we will repair or replace saw without charge.

## NON-WARRANTY SERVICE

If saw requires service, return it to nearest authorized service center. Repairs will be billed to you at regular repair list prices. *Note:* Normal wear, misuse, abuse, neglect, or accidental damage is not covered under warranty.

Model	_____
Serial No.	_____
Date Purchased	_____

### ELECTRIC CHAIN SAW LIMITED WARRANTY

Always specify model and serial numbers when writing the factory.

We reserve the right to amend these specifications at any time without notice. The only warranty applicable is our standard written warranty. We make no other warranty, expressed or implied.

DESA International warrants this electric chain saw and any parts thereof, to be free from defects in material and workmanship for one year from the date of first purchase from an authorized dealer, provided that the product has been properly maintained and operated in accordance with all applicable instructions. The bill of sales or proof of purchase must be presented at the time a claim is made under this warranty.

This warranty is extended only to the original retail purchaser. This warranty covers only the parts and labor required to restore this chain saw to its proper operating condition. Warranty parts must be obtained through factory authorized dealers and service centers for this product. These dealers and service centers will provide original factory replacement parts. Failure to use original factory replacement parts voids this warranty.

This warranty does not cover commercial, industrial, or rental usage, nor does it apply to parts that are not in original condition because of normal wear and tear, or parts that fail or become damaged as a result of misuse, accident, lack of proper maintenance, tampering, or alteration. Travel, handling, transportation, and incidental costs associated with warranty repairs are not reimbursable under this warranty and are the responsibility of the owner.

To the full extent allowed by the law of the jurisdiction that governs the sale of the product, this express warranty excludes any and all other expressed warranties and limits the duration of any and all implied warranties, including warranties of merchantability and fitness for a particular purpose to one year from the date of first purchase, and DESA International's liability is hereby limited to the purchase price of the product and DESA International shall not be liable for any other damages whatsoever including indirect, incidental, or consequential damages.

Some states do not allow limitation of how long an implied warranty lasts or an exclusion or limitation of incidental or consequential damages, so the above limitation of damages may not apply to you.

This warranty provides the original purchaser with specific rights. For information regarding those rights, please consult the applicable state laws.

**DESA**  
INTERNATIONAL

2701 Industrial Drive  
P.O. Box 90004  
Bowling Green, KY 42102-9004  
www.desatech.com



105419 01

NOT A UPC

105419-01  
REV. B  
07/99

## Free Manuals Download Website

<http://myh66.com>

<http://usermanuals.us>

<http://www.somanuals.com>

<http://www.4manuals.cc>

<http://www.manual-lib.com>

<http://www.404manual.com>

<http://www.luxmanual.com>

<http://aubethermostatmanual.com>

Golf course search by state

<http://golfingnear.com>

Email search by domain

<http://emailbydomain.com>

Auto manuals search

<http://auto.somanuals.com>

TV manuals search

<http://tv.somanuals.com>