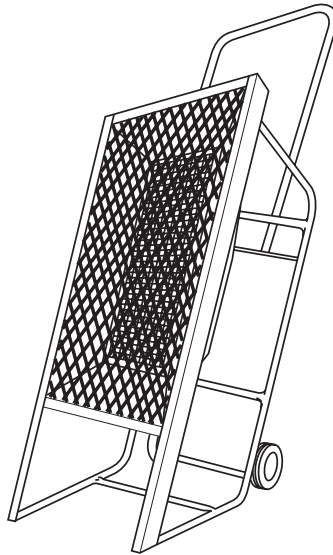


DESA™

INDOOR/OUTDOOR PRODUCTS

PROPANE GAS-FIRED RADIANT CONSTRUCTION HEATER OWNER'S MANUAL



MODEL 35-R

IMPORTANT: Read and understand this manual before assembling, starting or servicing heater. Improper use of heater can cause serious injury. Keep this manual for future reference.

⚠ GENERAL HAZARD WARNING:

Failure to comply with the precautions and instructions provided with this heater, can result in death, serious bodily injury and property loss or damage from hazards of fire, explosion, burn, asphyxiation, carbon monoxide poisoning and/or electrical shock.

Only persons who can understand and follow the instructions should use or service this heater.


If you need assistance or heater information such as an instructions manual, labels, etc. contact the manufacturer.


Save this manual for future reference.
For more information, visit www.desatech.com

TABLE OF CONTENTS

Safety Information	2	Operating Instructions	5
Product Identification	3	Cleaning and Maintenance	6
Unpacking	3	Troubleshooting	7
Theory of Operation	3	Illustrated Parts Breakdown and Parts List	8
Propane Gas Supply	4	Specifications	10
Ventilation	4	Replacement Parts	10
Installation Instructions	4	Warranty and Repair Service	12
Locating Heater	4		

SAFETY INFORMATION

 **WARNING: This product contains and/or generates chemicals known to the State of California to cause cancer or birth defects or other reproductive harm.**

 **WARNING: Fire, burn, inhalation and explosion hazard. Keep solid combustibles, such as building materials, paper or cardboard, a safe distance away from the heater as recommended by the instructions. Never use the heater in spaces which do or may contain volatile or airborne combustibles or products such as gasoline, solvents, paint thinner, dust particles or unknown chemicals.**

 **WARNING: Not for home or recreational vehicle use.**

The heater is designed for use as a construction heater in accordance with ANSI Z83.7/CGA 2.14. Other standards govern the use of fuel gases and heating products for specific uses. Your local authority can advise you about these. The primary purpose of construction heaters is to provide temporary heating of buildings under construction, alteration or repair. Properly used, the heater provides safe economical heating. Products of combustion are vented into the area being heated.

We cannot foresee every use which may be made of our heaters. **Check with your local fire safety authority if you have questions about heater use.**

Other standards govern the use of fuel gases and heat producing products for specific uses. Your local authorities can advise you about these.

Carbon Monoxide Poisoning: Some people are more affected by carbon monoxide than others. Early signs of carbon monoxide poisoning resemble the flu, with headaches, dizziness and/or nausea. If you have these signs, the heater may not be working properly. **Get fresh air at once!** Check for proper ventilation and have heater serviced.

Propane Gas: Propane gas is odorless. An odor-making agent is added to propane gas. The odor helps you detect a propane gas leak. However, the odor added to propane gas may fade. Propane gas may be present even though no odor exists.

Make certain you read and understand all warnings. Keep this manual for reference. It is your guide to safe and proper operation of this heater.

1. Install and use heater with care. Follow all local ordinances and codes. In the absence of local ordinances and codes, refer to the *Standard for Storage and Handling of Liquefied Petroleum Gas, ANSI/NFPA 58* and the *Propane Installation Code, CAN/CGA B149.2*. This instructs on the safe storage and handling of propane gases.
2. Use only the hose and factory preset regulator provided with the heater.
3. Use only propane gas set up for vapor withdrawal.
4. Provide adequate ventilation. Before using heater, provide at least a 3 ft² (0.28 m²) opening of fresh, outside air for each 100,000 Btu/hr of rating.
5. Do not use heater in occupied dwellings or in living or sleeping quarters.
6. Do not use heater in basement or below ground level.
7. Keep appliance area clear and free from combustible materials, gasoline, paint thinner and other flammable vapors and liquids. Dust is combustible. Do not use heater in areas with high dust content.

SAFETY INFORMATION

Continued

- Minimum heater clearances from combustibles: Sides 20" (50.8 cm), Top 40" (101.6 cm), Front 54" (137.2 cm).
- Keep heater at least 6 m (20 ft) from propane tank(s).
- Keep propane tank(s) below 38° C (100° F).
- Check heater for damage before each use. Do not use a damaged heater.
- Check hose before each use of heater. If highly worn or cut, replace with hose specified by the manufacturer before using heater.
- Locate heater on stable and level surface if heater is hot or operating.
- Not intended for use on finished floors.
- Never block any air inlet or air outlet openings of heater.
- Keep heater away from strong drafts, wind, water spray, rain or dripping water.
- Do not leave heater unattended.
- Keep children and animals away from heater.
- Never move, handle or service a hot or operating heater. Severe burns may result. Wait 15 minutes after turning heater off.
- To prevent injury, wear gloves when handling heater.
- Never attach duct work to heater.
- Do not alter heater. Keep heater in its original state.
- Do not use heater if altered.
- Turn off gas supply to heater when not in use.
- Use only original replacement parts. This heater must use design-specific parts. Do not substitute or use generic parts. Improper replacement parts could cause serious or fatal injuries.

PRODUCT IDENTIFICATION

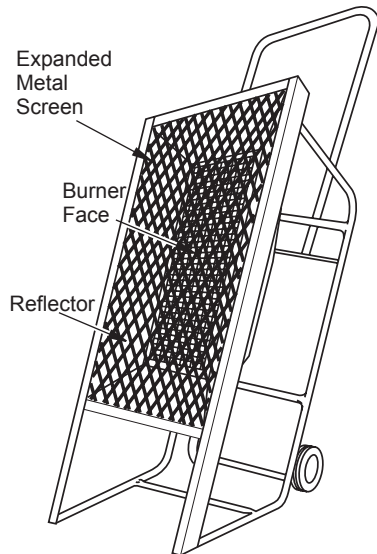


Figure 1 - Product Identification

UNPACKING

- Remove all packing items applied to heater for shipment. Keep plastic cover caps (attached to valve inlet and hose/regulator assembly) for storage.
- Remove all items from carton.
- Check all items for shipping damage. If heater is damaged, promptly inform dealer where you bought heater.

THEORY OF OPERATION

The Fuel System: For propane units, the hose/regulator assembly attaches to the propane gas supply. For natural gas units, the gas supply attaches to the heater through user supplied hose or pipe. This provides fuel to the heater.

The Ignition System: The piezo ignitor lights the burner fuel supply.

The Automatic Control System: This system causes the heater to shut down if the flame goes out.

PROPANE GAS SUPPLY

Propane gas and propane tank(s) are to be furnished by the user.

Use this heater only with a propane vapor withdrawal supply system. See Chapter 5 of the *Standard for Storage and Handling of Liquefied Petroleum Gas, ANSI/NFPA 58* and/or *CAN/CGA B149.2*. Your local library or fire department will have this booklet.

The amount of propane gas ready for use from propane tanks varies. Two factors decide this amount.

1. The amount of liquid propane gas in tank(s)
2. The temperature of tank(s)

This heater is designed to operate with a minimum 20 pound (9 kg) propane tank. You may need two or more tanks or one larger tank in colder weather. Use a 100 pound (45 kg) tank for longer operation or in very cold weather. Less gas is vaporized at lower temperatures. Your local propane gas dealer will help you select the proper supply system. The minimum surrounding air temperature rating for each heater is -20° F (-29° C).

Average Temperature At Tank Location	Number Of Tanks 100 lb (45 kg)
above 0° F (-18° C)	1
below 0° F (-18° C)	2

Smaller tanks can be used for limited run times but it is recommended to use larger tanks for optimum performance.

VENTILATION

⚠ WARNING: Provide at least a 3 ft² (0.28 m²) opening of fresh, outside air while running heater. If proper fresh, outside air ventilation is not provided, carbon monoxide poisoning can occur. Provide proper fresh, outside air ventilation before running heater.

INSTALLATION INSTRUCTIONS

Read these instructions carefully. Read and adhere to these instructions. Do not allow anyone who has not read these instructions to assemble, light, adjust or operate this heater.

Do not attempt to operate the heater with any gas other than that indicated on the heater nameplate.

For the U.S. and/or Canada, the installation of this appliance must comply with local and/or Provincial codes or, in the absence of these codes, with the (U.S.) *National Fuel Gas Code, ANSI Z223.1* – Latest Edition (for natural and propane/LP gas operation) and with the (U.S.) *Standard for the Storage and Handling of Liquefied Petroleum Gases, ANSI/NFPA 58* (for propane/LP gas operation) or with the current (Canadian) *CAN/CGA B149.1* and *B149.2* installation codes.

This heater (including hose and regulator assembly if applicable) must be inspected before each use and at least annually by a qualified service person. If the hose shows evidence of excessive abrasion or wear or if the hose is cut, it must be replaced prior to the heater being put into operation. The replacement hose assembly shall be that specified by the manufacturer.

Tip Over Switch

This heater incorporates a tip over switch which automatically shuts off the burner in the event of tipping. Ensure that this switch is in the vertical position and is secured with the screws provided.

LOCATING HEATER

Although this heater incorporates a tip over switch, the heater and propane/LP gas supply cylinder must be located on a hard, flat, level surface to minimize the risk of accidental tipping. The propane/LP gas supply cylinder should be adequately restrained to prevent accidental tipping. **DO NOT operate this heater with the supply cylinder in any other than the upright position.**

This appliance must be installed only in locations where the potential for physical damage to the appliance (i.e., due to physical contact) is reduced to a minimum.

LOCATING HEATER

Continued

The installer must inform the owner/operator of this appliance that precautions must be taken to protect the appliance from physical damage.

This appliance produces radiant heat. Therefore, it must be located at least 6 feet away from any propane/LP gas container and must not be directed toward any propane/LP gas container within 20 feet.

The heater must be installed in a location such that it will not be exposed directly to water spray, rain and/or dripping water.

Use of this heater in a draft/windy area decreases its efficiency. If possible, operate the unit in a draft free area.

CONNECTING TO GAS SUPPLY

This model may be connected to a self-contained propane/LP gas supply system using the hose and regulator assembly supplied with the appliance OR, it may be connected to a permanently installed propane/LP gas supply system.

If connected to a self-contained propane/LP gas supply system, the hose assembly must be inspected prior to each use of the heater. If it is evident that there is excessive abrasion or wear or if the hose is cut, it must be replaced prior to the heater being put into operation.

 **WARNING: Never use a fork lift truck type cylinder.**

The connection to a propane/LP cylinder must be made in a well ventilated area using the regulator and hose assembly supplied with the appliance. DO NOT attempt to adjust this regulator. It has been preset at the factory to provide safe and proper operation of the appliance. Use a 7/8" open end wrench to connect the POL fitting (supplied with the propane/LP regulator) to the propane/LP cylinder. Turn the POL nut in a counterclockwise direction (left hand thread) until tight. DO NOT use pipe compound on POL threads.

The heater must be located at least 6 feet away from any propane/LP cylinder and must not be directed toward any propane/LP cylinder within 20 feet. If more than one heater is used, they and the supply cylinders must be separated by at least 20 feet.

The gas supply must be turned off at the propane/LP supply cylinder when the heater is not in use.


When the heater is to be stored indoors, the connection between the propane/LP supply cylinder and the heater must be disconnected and the cylinder removed from the heater and stored in accordance with Chapter 5 of the *Standard for the Storage and Handling of Liquefied Petroleum Gases ANSI/NFPA 58*.


If connected to a permanently installed propane/LP supply system, the system requires the use of a two-stage gas regulator assembly which is normally provided by your propane/LP dealer as part of the propane/LP supply system. Consult with your local propane/LP dealer for details concerning proper equipment and installation.


Piping must be clean and free from scale or burrs.

 **WARNING: Never use a flame for gas leak testing.**

OPERATING INSTRUCTIONS

 **WARNING: If you do not follow these instructions exactly, a fire or explosion may result causing property damage, personal injury or loss of life.**

 **CAUTION: This appliance is hot during normal operation, avoid physical contact.**

 **CAUTION: Do not place clothing or other combustible materials on this appliance.**

DO NOT operate this heater if any part has been under water. Call a qualified service technician to inspect the appliance and to replace any part of the control system or gas control valve which has been under water.

OPERATING INSTRUCTIONS

Continued

LIGHTING HEATER

1. **Before attempting to light the heater check for gas leaks.** Turn on the gas supply to the appliance and check all fittings and connections for gas leaks using a mild soap and water solution. NEVER use a match to check for gas leaks. Should a gas leak occur, shut off the gas supply to the appliance immediately. Correct all leaks at once.
2. Use only the fuel intended for this appliance. Check the appliance rating plate for the correct fuel information.
3. Turn on the main gas supply.
4. Press and hold button on control valve.
5. Press button on piezo ignitor 6 to 8 times. Burner should light.

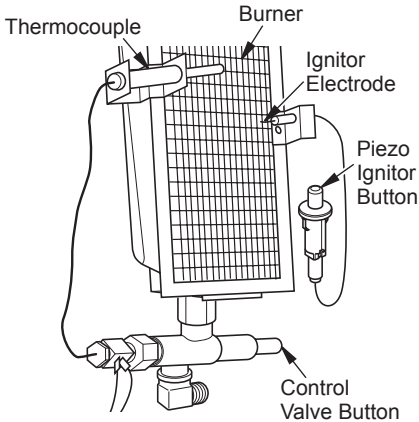


Figure 2 - Heater Parts

To Match Light the Pilot

Hold a lit match to the burner face while pressing and holding the control valve button. After the burner ignites, keep button pressed for one (1) minute or until the burner stays lit after releasing button. DO NOT light gas at the burner orifice. DO NOT face heater when attempting to light. Always stand to the side of the unit when lighting.

CAUTION: When lighting burner with a match or taper, light at bottom of screen. Not at orifice.

Note: In cases where long runs of gas supply lines have been installed ahead of the appliance, it may be necessary to bleed trapped air out of supply lines before lighting pilot. New installations generally require bleed of supply lines. Wait a minimum of five minutes after bleeding supply lines before attempting to light heater.

IMPORTANT: DO NOT attempt to adjust the main burner input using the main gas supply valve. This may cause the pilot and thermocouple to shut down the burner.

SHUTTING OFF HEATER

1. Close propane gas supply cylinder valve.
2. Observe the burner until flame is extinguished.
3. Listen for closure of the safety valve.

IMPORTANT: DO NOT reopen the propane gas supply cylinder valve before the safety valve closes.

CLEANING AND MAINTENANCE

WARNING: Never attempt to service heater while it is connected to propane supply, operating or hot. Severe burns can occur.

1. Turn heater off and let cool at least 20 minutes before cleaning.
2. Keep heater clean. Clean heater annually or as needed to remove dust and debris. If heater is dirty or dusty, clean heater with a damp cloth. Use household cleaners on difficult spots.
3. Inspect heater before each use. Check connections for leaks. Apply mixture of liquid soap and water to connections. Bubbles forming show a leak. Correct all leaks at once.
4. Clean inside of heater using compressed air. Blow air back and forth along the entire burner face until all dust has been dislodged from surface of reverberator and screen. Blow air through venturi from the control end of heater.
5. Inspect hose/regulator assembly before each use. If hose is highly worn or cut, replace.
6. Have heater inspected yearly by a qualified service agency.

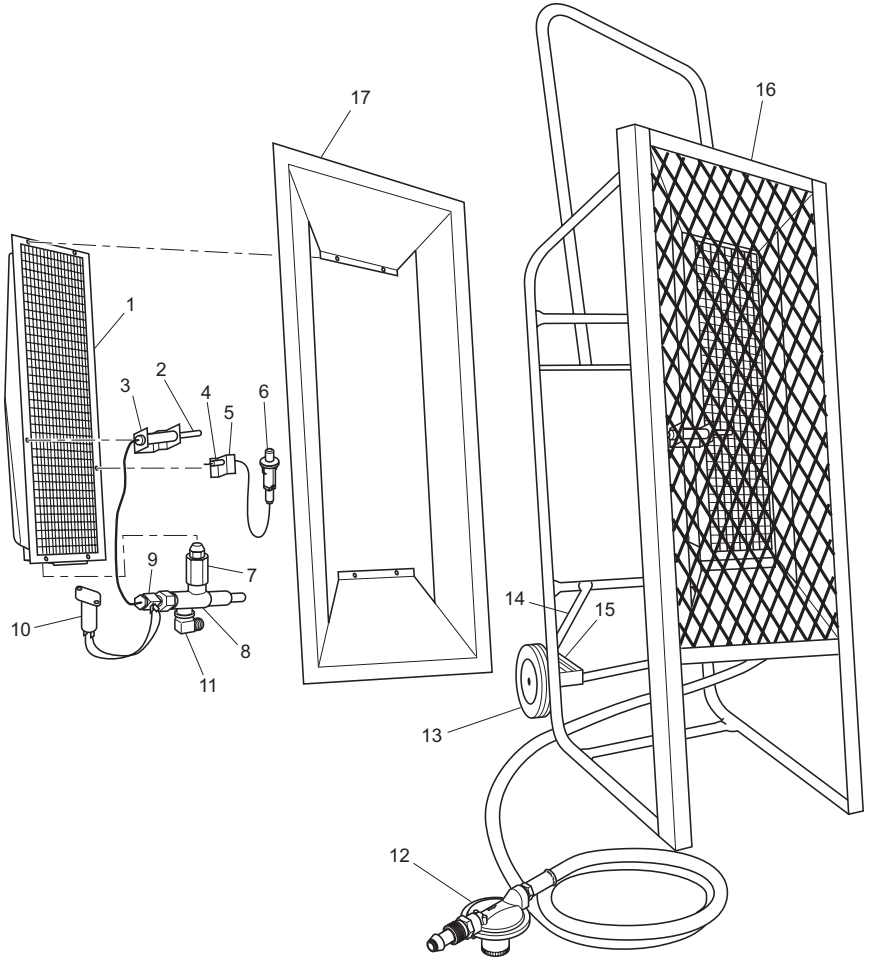
TROUBLESHOOTING

 WARNING: Never attempt to service heater while it is connected to propane supply, operating or hot. Severe burns can occur.

SYMPTOM	POSSIBLE CAUSE	REMEDY
Burner fails to light	<ol style="list-style-type: none"> 1. Gas supply valve closed 2. Excess-flow check valve closed 3. Blockage in burner orifice 4. Piezo ignition system not sparking 	<ol style="list-style-type: none"> 1. Open gas supply valve slowly 2. Close propane supply valve on propane tank and reopen slowly 3. Replace burner orifice 4. Assure ignitor electrode gap is 5.0 mm (0.195 in). Check wire lead for damage Replace piezo ignitor and/or ignitor electrode as necessary. Do not bend electrode, this may cause breakage
Pilot lights but goes out when automatic control valve button is released	<ol style="list-style-type: none"> 1. Not enough warm-up time 2. Low gas pressure 3. Thermocouple loose or needs to be replaced 4. Automatic control valve needs to be replaced 	<ol style="list-style-type: none"> 1. Relight, hold automatic control valve button in 45 seconds 2. Check for proper gas supply 3. Tighten connection or replace thermocouple 4. Replace automatic control valve
Burn rate is low	<ol style="list-style-type: none"> 1. Plugged gas orifices 2. Low gas pressure 3. Low fuel supply 	<ol style="list-style-type: none"> 1. Replace gas orifice 2. Check gas supply; check regulator output 3. Consult gas supplier to determine adequate supply. Tank could be empty
Burner lights but goes out when button is released	<ol style="list-style-type: none"> 1. Loose wires on tip over switch 2. Loose or broken lead wire 3. Loose or mislocated thermocouple wire 4. Defective thermocouple 5. Defective control 6. Defective tip over switch 	<ol style="list-style-type: none"> 1. Tighten wires on tip over switch 2. Tighten or repair wire 3. Tighten thermocouple. Make sure thermocouple is located correctly between reverberator and grid 4. Replace thermocouple 5. Replace control 6. Replace tip over switch

ILLUSTRATED PARTS BREAKDOWN

MODEL 35-R



PARTS LIST

MODEL 35-R


This list contains replaceable parts used in your heater. When ordering parts, follow the instructions listed under *Replacement Parts* on page 10 of this manual.

KEY			
NO.	PART NO.	DESCRIPTION	QTY.
1	115286-01	Burner	1
2	114121-01	Thermocouple	1
3	117384-01	Thermocouple Bracket	1
4	115291-01	Ignitor Electrode	1
5	117385-01	Ignitor Bracket	1
6	102445-01	Piezo Ignitor Kit	1
7	115287-01	Orifice	1
8	115285-01	Valve	1
9	115289-01	Junction Block	1
10	115288-01	Tip Switch	1
11	111090-02	Brass Elbow	1
12	115290-01	Hose/Regulator Assembly	1
13	115292-01	Wheel	2
14	114156-02	Axle Bracket	2
15	115294-01	Wheel Lock	2
16	117297-01	Main Frame Lower Assembly	1
17	117310-01	Reflector	1
PARTS AVAILABLE - NOT SHOWN			
	114245-06	General Information Decal	1
	115297-01	Warning Tag	1
	114246-03	Caution Decal	1

SPECIFICATIONS

- Rating: 35,000 Btu/Hr
- Fuel: Propane Vapor Only
- Fuel Consumption per Hour:
0.38 gallon (1.5 liters), 1.6 lbs (1.74 kg)
- Supply Pressure To Regulator (for input adjustment): Maximum - 200 lbs or tank pressure
Minimum - 10 psi
- Manifold Pressure: 9.5" W.C. (2.3 kPa)
- Minimum Surrounding Air Temperature:
-20° F (-29° C)

REPLACEMENT PARTS

 **WARNING: Use only original replacement parts. This heater must use design-specific parts. Do not substitute or use generic parts. Improper replacement parts could cause serious or fatal injuries. This will also protect your warranty coverage for parts replaced under warranty.**

PARTS UNDER WARRANTY

Contact authorized dealers of this product. If they can't supply original replacement part(s), either call DESA Heating Products' at 1-866-672-6040 or DESA Industries at 1-905-826-8010.

When calling DESA, have ready:

- your name and address
- model and serial numbers of your heater
- how heater was malfunctioning
- purchase date

In most cases, we will ask you to return the part to the factory.

PARTS NOT UNDER WARRANTY

Contact authorized dealers of this product. If they can't supply original replacement part(s), call DESA Heating Products' at 1-866-672-6040 or DESA Industries at 1-905-826-8010.

When calling DESA, have ready:

- model and serial numbers of your heater
- the replacement part number

NOTES

WARRANTY AND REPAIR SERVICE

KEEP THIS WARRANTY

Model _____
Serial No. _____
Date of Purchase _____

LIMITED WARRANTIES FOR NEW AND FACTORY RECONDITIONED PRODUCTS

New Products: DESA Heating Products warrants this heater and any parts thereof, to be free of defects in materials and workmanship for one (1) year from the date of first purchase, when operated and maintained in accordance with the manufacturer's instructions. These warranties are extended only to the original retail purchaser, when proof of purchase is provided.

Factory Reconditioned Heaters: DESA Heating Products warrants this factory reconditioned heater and any parts thereof, to be free of defects in materials and workmanship for thirty (30) days from the date of first purchase, when operated and maintained in accordance with the manufacturer's instructions. These warranties are extended only to the original retail purchaser, when proof of purchase is provided.

This warranty covers only the cost of parts and labor required to restore the product to proper operating condition. Transportation and incidental costs associated with warranty repairs are not reimbursable under this warranty.

Warranty service is available only through authorized dealers and service centers.

This warranty does not cover defects resulting from misuse, abuse, negligence, accidents, lack of proper maintenance, normal wear, alteration, modification, tampering, contaminated fuels, repair using improper parts or repair by anyone other than an authorized dealer or service center. Routine maintenance is the responsibility of the owner.

THIS EXPRESS WARRANTY IS GIVEN IN LIEU OF ANY OTHER WARRANTY EITHER EXPRESSED OR IMPLIED, INCLUDING WARRANTIES OF MERCHANTABILITY AND FITNESS FOR A PARTICULAR PURPOSE.

DESA assumes no responsibility for indirect, incidental or consequential damages. Some states do not allow the exclusion or limitation of incidental or consequential damages or limitations or exclusions may not apply to you. This Limited Warranty gives you specific legal rights and you may also have other rights which vary from state to state.

We reserve the right to amend these specifications at any time without notice. The only warranty applicable is our standard written warranty. We make no other warranty, expressed or implied.

WARRANTY SERVICE

Should your heater require service, return it to your nearest authorized service center. Proof of purchase must be presented with the heater. The heater will be inspected. A defect may be caused by faulty materials or workmanship. If so, DESA will repair or replace the heater without charge.

REPAIR SERVICE

Return your heater to your nearest authorized service center. Repairs not covered by the warranty will be billed at standard prices. Each Service Center is independently owned and operated. We reserve the right to amend these specifications at any time without notice.

When writing for information regarding your heater, be sure to include the model number and serial number as shown on the model plate. For more information about this warranty, write:

DESA[™]
INDOOR/OUTDOOR PRODUCTS

2701 Industrial Drive
P.O. Box 90004
Bowling Green, KY 42102-9004
ATTN: Customer Service Department

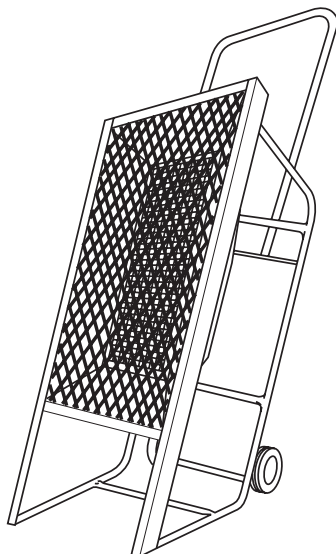
DESA[™]
INDUSTRIES OF CANADA, INC.

2220 Argentia Road, Unit #4
Mississauga, Ontario
L5N2K7

DESA™

INDOOR/OUTDOOR PRODUCTS

CALENTADOR PARA CONSTRUCCIÓN DE RADIACIÓN A GAS PROPANO MANUAL DEL PROPIETARIO



MODELO 35-R

IMPORTANTE: lea y comprenda este manual antes de ensamblar, encender o dar servicio al calentador. El uso inadecuado del calentador puede causar lesiones graves. Conserve este manual para referencias futuras.

⚠️ ADVERTENCIA GENERAL DE PELIGRO:

El incumplimiento de las precauciones e instrucciones proporcionadas con este calentador puede causar la muerte, lesiones físicas graves y pérdidas o daños a la propiedad ocasionados por incendios, explosiones, quemaduras, asfixia, intoxicación con monóxido de carbono y/o electrocución.

Únicamente las personas que puedan entender y seguir las instrucciones deberán usar o dar servicio a este calentador.


Si necesita ayuda o información sobre el calentador, por ejemplo, un manual de instrucciones, etiquetas, etc., comuníquese con el fabricante.

Guarde este manual para referencias futuras.
Para obtener más información visite www.desatech.com


TABLA DE CONTENIDO

Información de seguridad	2	Instrucciones de funcionamiento	5
Identificación del producto	3	Limpieza y mantenimiento	6
Desempaque	3	Solución de Problemas	7
Teoría de funcionamiento	3	Clasificación ilustrada de piezas y lista de piezas ..	8
Suministro de gas propano	4	Especificaciones	10
Ventilación	4	Piezas de repuesto	10
Instrucciones de instalación	4	Garantía y servicio de reparación	12
Ubicación del calentador	4		

INFORMACIÓN DE SEGURIDAD

 **ADVERTENCIA:** este producto contiene y/o genera químicos reconocidos por el estado de California como causantes de cáncer o de defectos de nacimiento, u otros daños reproductivos.

 **ADVERTENCIA:** peligro de incendio, quemaduras, inhalación y explosión Mantenga los combustibles sólidos, como materiales de construcción, papel o cartón, a una distancia segura del calentador según se recomienda en las instrucciones. Nunca use el calentador en áreas en las que haya, o pueda haber, combustibles volátiles o que se acumulen en el aire, o bien, productos como gasolina, solventes, diluyente de pintura, partículas de polvo o químicos desconocidos.

 **ADVERTENCIA:** no usar en residencias ni en vehículos recreativos.

El calentador está diseñado para usarse como calentador para construcción conforme a la norma ANSI Z83.7/CGA 2.14. Otras normas rigen el uso de gases combustibles y productos de calefacción para usos específicos. La autoridad local puede informarle acerca de éstas. El propósito principal de los calentadores para construcción es proporcionar calefacción temporal en edificios en construcción, modificación o reparación. Cuando se usa correctamente, el calentador proporciona calefacción económica y segura. Los productos de combustión se ventilan al área que se está calentando.

No podemos prever todos los usos que se les pueden dar a nuestros calentadores. **Consulte a la autoridad local de seguridad contra incendios en caso que tenga alguna pregunta acerca del uso de calentadores.**

Otras normas rigen el uso de gases combustibles y productos que producen calor para usos específicos. Las autoridades locales pueden informarle acerca de éstas.

Intoxicación con monóxido de carbono: algunas personas sufren mayores efectos del monóxido de carbono que otras. Los primeros signos de intoxicación con monóxido de carbono son semejantes a los de la gripe, con dolor de cabeza, mareo o náusea. Si usted presenta estos síntomas, es posible que el calentador no esté funcionando correctamente. **¡Respire aire fresco inmediatamente!** Compruebe que haya ventilación adecuada y haga que reparen el calentador.

Gas propano: el gas propano es inodoro. Al gas propano se le agrega un agente con olor. El olor le ayuda a detectar las fugas de gas propano. Sin embargo, el olor que se añade al gas propano puede desvanecerse. Es posible que haya gas propano a pesar de que no huela a gas.

Asegúrese de leer y comprender todas las advertencias. Conserve este manual como referencia. Es su guía para la operación segura y correcta de este calentador.

1. Instale y use el calentador con cuidado. Siga las ordenanzas y los códigos locales. A falta de reglamentos y códigos locales, consulte la *Norma de almacenamiento y manejo de gas licuado de petróleo, ANSI/NFPA 58* y el *Código de instalación de gas propano, CAN/CGA B149*. Estos proporcionan instrucciones acerca del almacenamiento y manejo seguro del propano.
2. Use sólo la manguera y el regulador preinstalado en la fábrica que se incluyen con el calentador.
3. Use solamente el montaje de gas propano para la extracción de vapores.
4. Proporcione ventilación adecuada. Antes de usar el calentador, asegúrese de que exista una abertura para aire fresco del exterior de por lo menos 0.28 m² (3 pies²) por cada 100,000 BTU/h de clasificación.
5. No use el calentador en viviendas ocupadas, en estancias ni en dormitorios.

INFORMACIÓN DE SEGURIDAD

Continuación

- No use el calentador en un sótano ni debajo del nivel del suelo.
- Mantenga el área en dónde se localiza el aparato despejada y libre de materiales combustibles, gasolina, diluyentes para pintura y otros vapores y líquidos inflamables. El polvo es combustible. No use el calentador en áreas con alto contenido de polvo.
- Distancias mínimas entre el calentador y combustibles: Laterales 50.8 cm (20"), Parte superior 101.6 cm (40"), Parte anterior 137.2 cm (54").
- Mantenga el calentador a una distancia mínima de 6 m (20 pies) de los tanques de propano.
- Mantenga los tanques de propano a menos de 38° C (100° F).
- Antes de cada uso, verifique si el calentador ha sufrido algún daño. No use un calentador dañado.
- Revise la manguera antes de cada uso del calentador. Si la manguera está muy desgastada o con roturas, reemplácela con una manguera especificada por el fabricante antes de usar el calentador.
- Cuando el calentador esté caliente o funcionando póngalo en una superficie estable y nivelada.
- No está diseñado para su uso en pisos terminados.
- Nunca bloquee ninguna de las aberturas de entrada y de salida de aire del calentador.
- Mantenga el calentador alejado de corrientes fuertes de aire, viento, rocío, lluvia y goteras de agua.
- No deje el calentador desatendido.
- Evite que los niños y los animales se acerquen al calentador.
- Nunca nueva, maneje o dé servicio a un calentador caliente o en funcionamiento. Pueden producirse quemaduras graves. Espere 15 minutos después de apagar el calentador.
- Para evitar lesiones, use guantes cuando manipule el calentador.
- Nunca fije tubería al calentador.
- No altere el calentador. Mantenga el calentador en su estado original.
- No use el calentador si éste ha sido alterado.
- Cierre el suministro de gas al calentador cuando no se esté usando.
- Use sólo piezas de repuesto originales. Este calentador debe usar piezas diseñadas específicamente. No las sustituya ni use piezas genéricas. El uso de piezas de repuesto inadecuadas puede ocasionar lesiones graves o fatales.

IDENTIFICACIÓN DEL PRODUCTO

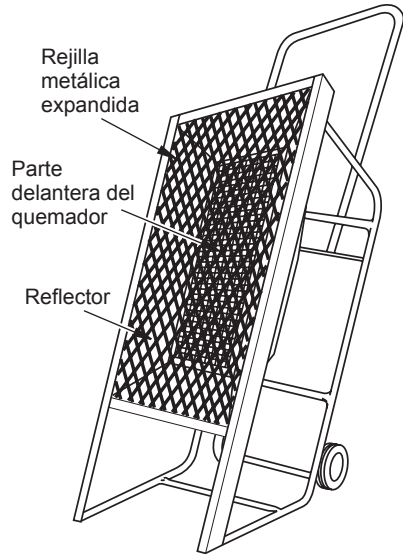


Figura 1 - Identificación del producto

DESEMPAQUE

- Retire todos los materiales en los que se empacó el calentador para el envío. Conserve los tapones de plástico (colocados en la válvula de entrada y en el conjunto de manguera y regulador) para propósitos de almacenamiento.
- Saque todas las piezas de la caja.
- Revise todas las piezas en busca de daños durante el transporte. Si el calentador está dañado, informe de inmediato al distribuidor a quien se lo compró.

TEORÍA DE FUNCIONAMIENTO

El sistema de combustible: en las unidades de gas propano, el conjunto de manguera y regulador se fija al suministro de gas propano. En las unidades de gas natural, el suministro de gas se fija al calentador mediante una manguera o tubería que el usuario debe suministrar. Esto proporciona combustible al calentador.

El sistema de encendido: el encendido piezoeléctrico enciende suministro de combustible del quemador.

El sistema de control automático: este sistema ocasiona que el calentador se apague si se extingue la llama.

SUMINISTRO DE GAS PROPANO

El gas propano y el o los tanques de propano los debe proveer el usuario.

Use el calentador solamente con un sistema de suministro con extracción de vapores de propano. Consulte el capítulo 5 de la *Norma de almacenamiento y manejo de gas licuado de petróleo, ANSI/NFPA 58* y/o la Norma *CAN/CGA B149.2*. La biblioteca local o el departamento de bomberos deben tener este folleto.

El volumen de gas listo para usarse a partir de tanques de propano varía. Dos factores determinan este volumen:

1. La cantidad de gas propano líquido en los tanques
2. La temperatura del o los tanques

Este calentador está diseñado para funcionar con un tanque de por lo menos 9 kg (20 libras). Es posible que en climas fríos necesite dos o más tanques, o un tanque de mayor capacidad. Use un tanque de 45 kg (100 lb) para operar el calentador durante un periodo de tiempo más prolongado o en clima muy frío. A temperaturas más bajas se vaporiza menos gas. Su proveedor local de gas propano le ayudará a seleccionar el sistema de suministro adecuado. La temperatura mínima del aire circundante para cada calentador es de -29 °C (-20 °F).

Temperatura promedio en la ubicación de los tanques	Número de tanques 45 kg (100 lb)
superior a -18 °C (0 °F)	1
inferior a -18 °C (0 °F)	2

Es posible usar tanques más pequeños para tiempos de funcionamiento limitados, pero se recomienda usar tanques más grandes para obtener un rendimiento óptimo.

VENTILACIÓN

⚠ ADVERTENCIA: debe haber una abertura para aire fresco del exterior de por lo menos 0.28 m² (3 pies²) cuando el calentador está encendido. Si no proporciona ventilación de aire fresco del exterior podría haber intoxicación con monóxido de carbono. Proporcione una ventilación adecuada de aire fresco del exterior antes de encender el calentador.

INSTRUCCIONES DE INSTALACIÓN

Lea estas instrucciones cuidadosamente. Lea y siga estas instrucciones. No permita que nadie que no haya leído estas instrucciones ensamble, encienda, ajuste o haga funcionar este calentador.

No intente hacer funcionar el calentador con ningún otro gas que no sea el indicado en la placa del calentador.

Para EE.UU. y/o Canadá, la instalación de este aparato debe cumplir los códigos locales y/o provinciales o, en ausencia de estos códigos, debe cumplir el *Código nacional de gas combustible, ANSI Z223.1*, última edición, (de EE.UU.) (para el funcionamiento con gas natural o con propano o gas LP) y la *Norma para el almacenamiento y manejo de gases licuados de petróleo, ANSI/NFPA 58* (de EE.UU.) (para el funcionamiento con propano o gas LP) o con los códigos de instalación CAN/CGA B149.1 y B149.2 vigentes (Canadienses).

Una técnico de servicio capacitado debe inspeccionar este calentador (incluyendo el conjunto de manguera y regulador, si es aplicable) antes de cada uso y por lo menos una vez al año. Si la manguera muestra abrasión o desgaste excesivo, o si tiene roturas, se debe reemplazar antes de poner el calentador en funcionamiento. El conjunto de la manguera de repuesto debe ser el especificado por el fabricante.

Interruptor de seguridad en caso de vuelcos

Este calentador cuenta con un interruptor de seguridad incorporado que apaga el quemador automáticamente si el calentador se vuelca o se cae. Asegúrese de que este interruptor esté en posición vertical y sujeto con los tornillos que se incluyen.

UBICACIÓN DEL CALENTADOR

Aunque este calentador cuenta con un interruptor de seguridad en caso de vuelcos, tanto el calentador como el cilindro de suministro de propano o gas LP se deben colocar en una superficie dura, plana y nivelada para minimizar el riesgo de una volcadura accidental. El cilindro de suministro de propano o gas LP debe estar adecuadamente sujetado para evitar que se vuelque accidentalmente. **NO haga funcionar este calentador si el cilindro de suministro no está en posición vertical.**

Este aparato se debe instalar solamente en ubicaciones en las que el daño físico potencial al aparato (por ejemplo, debido a contacto físico) se reduzca al mínimo.

UBICACIÓN DEL CALENTADOR *Continuación*

El instalador debe informar al propietario o al operador de este aparato que se deben tomar precauciones para proteger al mismo de daños físicos.

Este aparato produce radiación de calor. Por lo tanto, se debe situar a por lo menos 1.83 m (6 pies) de cualquier contenedor de propano o gas LP y no se debe dirigir hacia ningún contenedor de propano o gas que esté a 6.1 m (20 pies) o menos.


El calentador se debe instalar en una ubicación tal que no se exponga directamente al rocío de agua, a la lluvia ni a goteras.

El uso de este calentador en áreas con corrientes de aire o viento disminuye su eficacia. Si es posible, haga funcionar la unidad en un área sin corrientes de aire.

CONEXIÓN AL SUMINISTRO DE GAS

Este modelo se puede conectar a un sistema de suministro de propano o gas LP gas autónomo utilizando el conjunto de manguera y regulador que se incluyen con el aparato O se puede conectar a un sistema de suministro de propano o gas LP instalado permanentemente.

Si se conecta a un sistema de suministro de propano o gas LP autónomo, el conjunto de la manguera se debe inspeccionar antes de cada uso del calentador. Si es obvio que hay abrasión o desgaste excesivo, o si la manguera tiene roturas, se debe reemplazar antes de poner el calentador en funcionamiento.

 **ADVERTENCIA: nunca use un cilindro del tipo que se utiliza en montacargas.**

La conexión al cilindro de propano o gas LP se debe hacer en un área bien ventilada utilizando el conjunto de manguera y regulador que se incluye con el aparato. NO intente ajustar este regulador. Se ha configurado previamente en la fábrica para que el aparato funcione de forma segura y correcta. Use una llave española de 7/8" para instalar la conexión de rosca invertida (incluida con el regulador de propano o gas LP) al cilindro de propano o gas LP. Gire la tuerca de rosca invertida en sentido contrario al de las manecillas del reloj (rosca a la izquierda) hasta que esté apretada. NO use compuesto para tuberías en las roscas invertidas.


El calentador se debe situar a por lo menos 1.83 m (6 pies) de cualquier cilindro de propano o gas LP y no se debe dirigir hacia ningún cilindro de propano o gas que esté a 6.1 m (20 pies) o menos. Si se usa más de un calentador, éstos y los cilindros de suministro deben estar separados por lo menos 6.1 m (20 pies).

Cuando el calentador no esté en servicio debe cerrar el suministro de gas del cilindro de propano o gas LP.


Cuando el calentador se vaya a guardar en interiores, se debe desinstalar la conexión entre el cilindro de suministro de propano o gas LP y el calentador y el cilindro se debe extraer del calentador y guardar de acuerdo con el capítulo 5 de la *Norma para el almacenamiento y manejo de gases licuados de petróleo ANSI/NFPA 58*.


Si está conectado a un sistema de suministro de propano o gas LP instalado permanentemente, el sistema requiere el uso de un conjunto de regulador de gas de dos etapas que generalmente le proporcionará su distribuidor de propano o gas LP como parte del sistema de suministro. Consulte a su distribuidor local de propano o gas LP para obtener detalles acerca de la instalación y el equipo adecuados.


Las tuberías deben estar limpias y libres de impurezas o rebabas.

 **ADVERTENCIA: nunca use una llama para probar si hay fugas de gas.**

INSTRUCCIONES DE FUNCIONAMIENTO

 **ADVERTENCIA: no seguir estas instrucciones al pie de la letra puede resultar en incendio o explosión que produzcan daños a bienes, lesiones físicas o la muerte.**

 **PRECAUCIÓN: este aparato se calienta durante la operación normal, evite el contacto físico.**

 **PRECAUCIÓN: no coloque ropa ni otros materiales combustibles sobre este aparato.**

NO haga funcionar este calentador si alguna de sus partes ha estado sumergida en agua. Llame a un técnico de servicio capacitado para que inspeccione el aparato y reemplace las piezas del sistema de control o de la válvula de control de gas que hayan estado sumergidas en agua.

INSTRUCCIONES DE FUNCIONAMIENTO

Continuación

ENCENDIDO DEL CALENTADOR

1. **Antes de intentar encender el calentador, verifique que no haya fugas de gas.** Abra el suministro de gas al aparato y revise todos los conectores y las conexiones en busca de fugas utilizando una solución jabonosa suave. **NUNCA** use un fósforo para revisar si hay fugas de gas. Si se produce una fuga de gas, cierre el suministro de gas al aparato inmediatamente. Repare todas las fugas inmediatamente.
2. Use sólo el combustible indicado para este aparato. Revise la placa de clasificación del aparato para ver la información acerca del combustible correcto.
3. Abra el suministro de gas principal.
4. Oprima y mantenga oprimido el botón de la válvula de control.
5. Oprima el botón del encendedor piezoeléctrico de 6 a 8 veces. El quemador deberá encender.

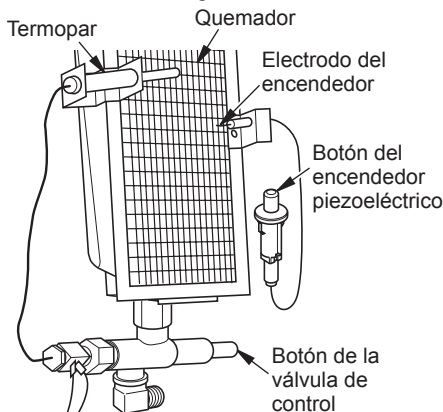


Figura 2 - Piezas del calentador

Para encender el piloto con un fósforo

Sujete un fósforo encendido en la parte delantera del quemador mientras oprime y mantiene el botón de la válvula de control oprimido. Una vez que el quemador se encienda, mantenga el botón oprimido durante un (1) minuto o hasta que el quemador permanezca encendido después de soltar el botón. **NO** encienda el gas en el orificio del quemador. **NO** se coloque frente al calentador cuando intente encenderlo. Siempre colóquese a un lado de la unidad cuando lo encienda.

⚠ PRECAUCIÓN: cuando encienda el quemador con un fósforo o una antorcha, enciéndalo por la parte inferior de la rejilla. No lo encienda por el orificio.

Nota: en los casos en que haya tuberías de suministro gas largas instaladas antes que el aparato, es posible que sea necesario purgar el aire atrapado en las tuberías antes de encender el piloto. Las instalaciones nuevas generalmente requieren la purga de las tuberías de suministro. Espere un mínimo de cinco minutos después de purgar las tuberías antes de intentar encender el calentador.

IMPORTANTE: NO intente ajustar la alimentación al quemador principal utilizando la válvula de suministro de gas principal. Esto podría ocasionar que el piloto y el termopar apaguen el quemador.

CÓMO APAGAR EL CALENTADOR

1. Cierre la válvula del cilindro de suministro de gas propano.
2. Observe el quemador hasta que la llama se extinga.
3. Escuche el cierre de la válvula de seguridad.

IMPORTANTE: NO vuelva a abrir la válvula del cilindro de suministro de gas propano antes de que la válvula de seguridad se cierre.

LIMPIEZA Y MANTENIMIENTO

⚠ ADVERTENCIA: nunca intente dar servicio a un calentador mientras esté conectado al suministro de propano, esté funcionando o esté caliente. Pueden producirse quemaduras graves.

1. Apague el calentador y déjelo enfriar por lo menos 20 minutos antes de limpiarlo.
2. Mantenga limpio el calentador. Limpie el calentador anualmente o según sea necesario para retirar el polvo y los residuos. Si el calentador está sucio o tiene polvo, límpielo con un paño húmedo. Utilice limpiadores domésticos en las manchas difíciles.
3. Inspeccione al calentador antes de cada uso. Revise las conexiones en busca de fugas. Aplique una mezcla de jabón líquido y agua en todas las conexiones. La formación de burbujas indicará una fuga. Repare todas las fugas inmediatamente.
4. Limpie el interior del calentador utilizando aire comprimido. Haga soplar el aire hacia adelante y hacia atrás a lo largo de toda la parte delantera del quemador hasta que se haya eliminado todo el polvo de la superficie del reverberador y la rejilla. Haga pasar aire a través del venturi desde el extremo del control del calentador.
5. Inspeccione el conjunto de manguera y regulador antes de cada uso. Si la manguera está muy desgastada o rota, reemplácela.
6. Haga que una agencia de servicio calificada inspeccione el calentador anualmente.

SOLUCIÓN DE PROBLEMAS

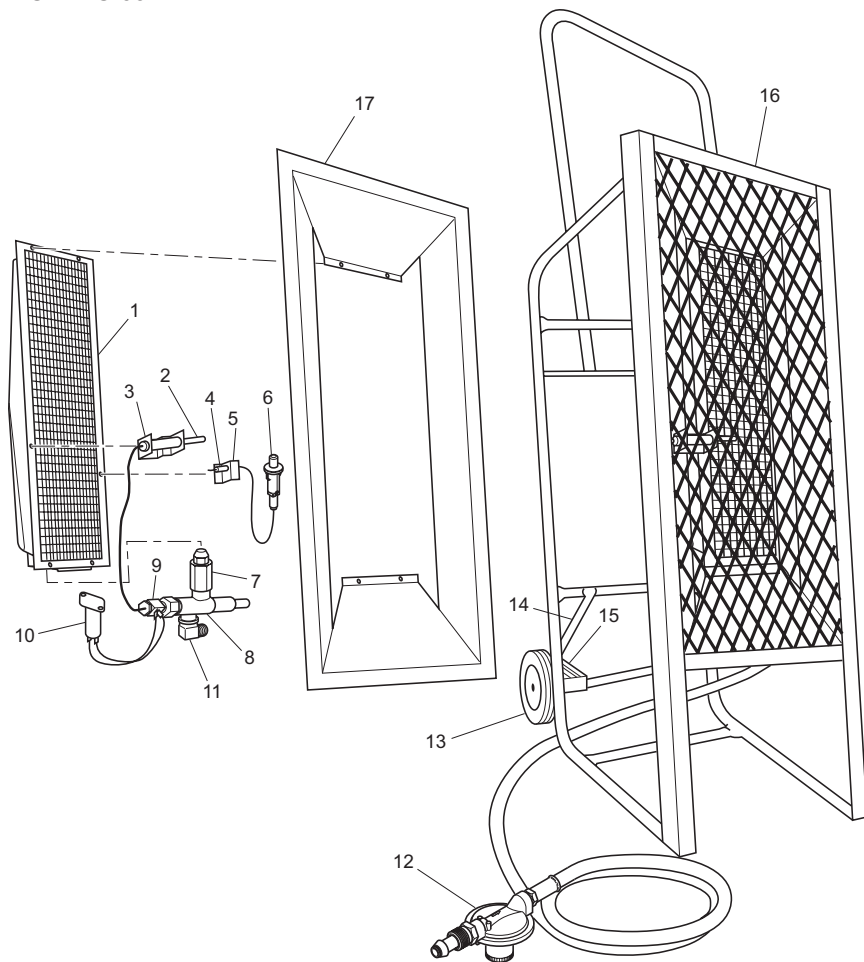


ADVERTENCIA: nunca intente dar servicio a un calentador mientras esté conectado al suministro de propano, esté funcionando o esté caliente. Pueden producirse quemaduras graves.

SÍNTOMA	CAUSA POSIBLE	REMEDIO
El quemador no se enciende	<ol style="list-style-type: none"> 1. La válvula de suministro de gas está cerrada 2. La válvula de exceso de flujo está cerrada 3. Bloqueo en el orificio del quemador 4. El sistema de encendido piezoeléctrico no produce chispa 	<ol style="list-style-type: none"> 1. Abra la válvula del suministro de gas lentamente 2. Cierre la válvula del suministro de propano en el tanque de propano y vuelva a abrirla lentamente 3. Reemplace el orificio del quemador 4. Asegúrese de que la abertura del electrodo del encendedor sea de 5.0 mm (0.195"). Verifique la terminal del cable en busca de daños. Reemplace el encendedor piezoeléctrico y/o el electrodo del encendedor según sea necesario. No doble el electrodo; esto podría ocasionar rupturas
El piloto se enciende, pero se apaga cuando se suelta el botón de la válvula de control automático	<ol style="list-style-type: none"> 1. El tiempo de calentamiento no fue suficiente 2. La presión de gas está baja 3. El termopar está flojo o se debe reemplazar 4. La válvula de control automático se debe reemplazar 	<ol style="list-style-type: none"> 1. Vuelva a encender, mantenga el botón de la válvula de control automático oprimido 45 segundos 2. Verifique que el suministro de gas sea adecuado 3. Apriete la conexión o reemplace el termopar 4. Reemplace la válvula de control automático
La tasa de consumo es baja	<ol style="list-style-type: none"> 1. Los orificios de gas están tapados 2. La presión de gas está baja 3. El suministro de combustible está bajo 	<ol style="list-style-type: none"> 1. Reemplace el orificio de gas 2. Verifique el suministro de gas; verifique la salida del regulador 3. Consulte con el proveedor de gas para determinar el suministro adecuado. El tanque podría estar vacío
El quemador se enciende, pero se apaga cuando se suelta el botón	<ol style="list-style-type: none"> 1. Los cables del interruptor de seguridad en caso de vuelcos están flojos 2. La terminal del cable está floja o rota 3. El cable del termopar está flojo o mal colocado 4. Termopar defectuoso 5. Control defectuoso 6. Interruptor de seguridad en caso de vuelcos defectuoso 	<ol style="list-style-type: none"> 1. Apriete los cables del interruptor de seguridad en caso de vuelcos 2. Apriete o repare el cable 3. Apriete el termopar. Asegúrese de que el termopar esté ubicado correctamente entre el reverberador y la parrilla 4. Reemplace el termopar 5. Reemplace el control 6. Reemplace el interruptor de seguridad en caso de vuelcos

CLASIFICACIÓN ILUSTRADA DE PIEZAS

MODELO 35-R



LISTA DE PIEZAS

MODELO 35-R


Esta lista contiene piezas reemplazables utilizadas en el calentador. Al hacer un pedido de piezas, siga las instrucciones enumeradas en *Piezas de repuesto* en la página 10 de este manual.

N°	N° DE PARTE	DESCRIPCIÓN	CANT.
1	115286-01	Quemador	1
2	114121-01	Termopar	1
3	117384-01	Soporte del termopar	1
4	115291-01	Electrodo del encendedor	1
5	117385-01	Soporte del encendedor	1
6	102445-01	Encendedor piezoeléctrico	1
7	115287-01	Orificio	1
8	115285-01	Válvula	1
9	115289-01	Bloque de conexiones	1
10	115288-01	Interruptor de seguridad en caso de vuelcos	1
11	111090-02	Codo de latón	1
12	115290-01	Conjunto de manguera y regulador	1
13	115292-01	Rueda	2
14	114156-02	Soporte del eje	2
15	115294-01	Seguro de la rueda	2
16	117297-01	Ensamble inferior del bastidor principal	1
17	117310-01	Reflector	1
PIEZAS DISPONIBLES (NO SE MUESTRAN)			
	114245-06	Etiqueta adhesiva de información general	1
	115297-01	Etiqueta de advertencia	1
	114246-03	Etiqueta de precaución	1

ESPECIFICACIONES

- Clasificación: 35,000 BTU/h
- Combustible: vapor de propano solamente
- Consumo de combustible por hora:
1.5 litros (0.38 galones), 1.74 kg (1.6 lb)
- Presión del suministro al regulador (para ajuste de entrada): máximo de 200 lb o a presión del tanque, mínima de 10 PSI
- Presión del múltiple: 2.3 kPa (9.5" C.A.)
- Temperatura mínima del aire circundante:
-29° C (-20° F)

PIEZAS DE REPUESTO

 **ADVERTENCIA:** use sólo piezas de repuesto originales. Este calentador debe usar piezas diseñadas específicamente. No las sustituya ni use piezas genéricas. El uso de piezas de repuesto inadecuadas puede ocasionar lesiones graves o fatales. Esto también protegerá la cobertura de su garantía de piezas reemplazadas con garantía.

PIEZAS CON GARANTÍA

Póngase en contacto con los distribuidores autorizados de este producto. Si no le pueden proveer las piezas repuesto originales, llame a DESA Heating Products al 1-866-672-6040 o bien a DESA Industries al 1-905-826-8010.

Cuando llame a DESA tenga listo:

- su nombre y dirección
- los números de modelo y de serie de su calentador
- la falla del calentador
- la fecha de compra

En la mayoría de los casos, le pediremos que devuelva la pieza a la fábrica.

PIEZAS NO CUBIERTAS POR LA GARANTÍA

Póngase en contacto con los distribuidores autorizados de este producto. Si no le pueden proveer las piezas repuesto originales, llame a DESA Heating Products al 1-866-672-6040 o bien a DESA Industries al 1-905-826-8010.

Cuando llame a DESA tenga listo:

- los números de modelo y de serie de su calentador
- el número de la pieza de repuesto

NOTAS

GARANTÍA Y SERVICIO DE REPARACIÓN

GUARDE ESTA GARANTÍA

Modelo _____

N° de serie _____

Fecha de compra _____

GARANTÍA LIMITADA PARA PRODUCTOS NUEVOS Y REACONDICIONADOS DE FÁBRICA

Productos nuevos: DESA Heating Products garantiza este calentador y cualquiera de sus partes contra cualquier defecto en los materiales y mano de obra por un (1) año a partir del día de la compra, siempre y cuando se haya operado y dado mantenimiento de acuerdo con las instrucciones del fabricante. Estas garantías se extienden solamente al comprador minorista original, cuando se proporciona un comprobante de compra.

Calentadores reacondicionados de fábrica: DESA Heating Products garantiza este calentador y cualquiera de sus partes contra cualquier defecto en los materiales y mano de obra por treinta (30) días a partir del día de la compra, siempre y cuando se haya operado y dado mantenimiento de acuerdo con las instrucciones del fabricante. Estas garantías se extienden solamente al comprador minorista original, cuando se proporciona un comprobante de compra.

Esta garantía sólo cubre el costo de las piezas y la mano de obra requeridas para restaurar el producto a una condición de operación correcta. Los costos de transporte e incidentales asociados con reparaciones bajo garantía no son reembolsables mediante la misma.

El servicio de garantía está disponible sólo a través de distribuidores y centros de servicio autorizados.

Esta garantía no cubre defectos ocasionados por mal uso, abuso, negligencia, accidentes, falta de mantenimiento adecuado, desgaste normal, alteración, modificación, manipulación, combustibles contaminados, reparación usando piezas inadecuadas o reparación realizada por cualquiera que no sea un distribuidor o centro de servicio autorizado. El mantenimiento de rutina es responsabilidad del propietario.

ESTA GARANTÍA EXPRESA SE OTORGA EN LUGAR DE CUALQUIER OTRA GARANTÍA, YA SEA EXPRESA O IMPLÍCITA, INCLUYENDO GARANTÍAS DE APROVECHAMIENTO Y APTITUD PARA UN PROPÓSITO EN PARTICULAR.

DESA no asume ninguna responsabilidad por daños indirectos, incidentales o consecuentes. Algunos estados no permiten la exclusión o limitación de daños incidentales o perjuicios, o es posible que las exclusiones no sean aplicables a usted. Esta garantía limitada le otorga derechos legales específicos y posiblemente tenga otros derechos que varían de un estado a otro.

Nos reservamos el derecho de modificar estas especificaciones en cualquier momento sin previo aviso. La única garantía aplicable es nuestra garantía estándar por escrito. No otorgamos ninguna otra garantía, expresa o implícita.

SERVICIO DE GARANTÍA

Si su calentador requiere servicio, regrese al centro de servicio autorizado más cercano. Se debe presentar la prueba de compra junto con el calentador. El calentador será inspeccionado. Un defecto puede ser ocasionado por materiales o mano de obra defectuosos. Si es así, DESA reparará o reemplazará el calentador sin ningún cargo.

SERVICIO DE REPARACIÓN

Devuelva su calentador al centro de servicio autorizado más cercano. Las reparaciones no cubiertas por la garantía se cobrarán a precio regular. Cada centro de servicio tiene propietario y operación independientes. Nos reservamos el derecho de modificar estas especificaciones en cualquier momento sin previo aviso.

Cuando escriba solicitando información sobre su calentador, asegúrese de incluir el número de modelo y el número de serie como se muestran en la placa del modelo. Para obtener más información sobre esta garantía escriba a:

DESA[™]
INDOOR/OUTDOOR PRODUCTS

2701 Industrial Drive
P.O. Box 90004
Bowling Green, KY 42102-9004, EE.UU.
Dirigido a: Customer Service Department

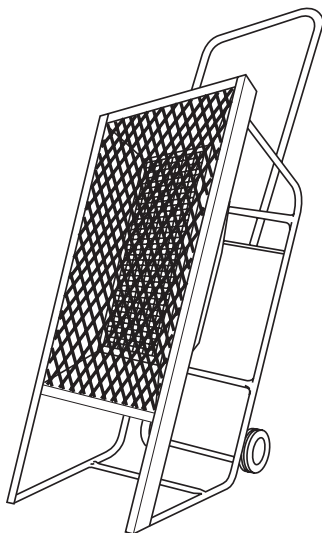
DESA[™]
INDUSTRIES OF CANADA, INC.

2220 Argenta Road, Unit #4
Mississauga, Ontario, Canadá
L5N2K7

DESA™

INDOOR/OUTDOOR PRODUCTS

APPAREIL DE CHAUFFAGE DE CHANTIER À GAZ PROPANE RAYONNANT MANUEL D'UTILISATION



MODÈLE 35-R

IMPORTANT : lisez et comprenez ce manuel avant d'assembler, d'allumer ou de réparer l'appareil de chauffage. Une mauvaise utilisation de l'appareil de chauffage peut causer des blessures graves. Conservez ce manuel pour référence future.

⚠ AVERTISSEMENT DE RISQUE GÉNÉRAL :

Tout manquement aux précautions et aux instructions fournies avec cet appareil de chauffage peut causer la mort, des blessures corporelles graves ainsi que la perte de biens et des dommages causés par les risques associés au feu, à une explosion, aux brûlures, à l'asphyxie, à l'empoisonnement au monoxyde de carbone et par les chocs électriques.

Seuls les individus qui comprennent et qui respectent ces instructions peuvent utiliser ou réparer cet appareil de chauffage.

Si vous avez besoin d'aide ou de renseignements concernant l'appareil de chauffage tels que le manuel d'instructions, les étiquettes, etc., communiquez avec le fabricant.

Conservez ce manuel pour consultation future.
Pour plus de détails, visitez le site www.desatech.com

TABLE DES MATIÈRES

Information relative à la sécurité	2	Notice d'utilisation.....	5
Identification du produit	3	Nettoyage et entretien	6
Déballage	3	Dépannage	7
Théorie de fonctionnement.....	3	Vue détaillée et liste des pièces	8
Approvisionnement en gaz propane.....	4	Spécifications	10
Ventilation.....	4	Pièces de rechange.....	10
Instructions d'installation	4	Service de garantie et de réparation	12
Placement de l'appareil de chauffage	4		

INFORMATION RELATIVE À LA SÉCURITÉ

⚠ AVERTISSEMENT : cet appareil contient ou produit des produits chimiques déterminés par l'État de Californie comme cancérigènes et pouvant causer des malformations congénitales et d'autres troubles liés à la reproduction.

⚠ AVERTISSEMENT : danger d'incendie, de brûlure, d'inhalation et d'explosion. Gardez les produits combustibles solides comme les matériaux de construction, le papier et les cartons, à une distance sûre de l'appareil de chauffage tel que recommandé dans les instructions. N'utilisez jamais l'appareil de chauffage dans des espaces susceptibles de contenir des combustibles volatils ou atmosphériques ou des produits tels que de l'essence, des diluants, du solvant à peinture, des particules de poussières ou des produits chimiques inconnus.

⚠ AVERTISSEMENT : cet appareil n'est pas conçu pour usage domestique ou les véhicules de camping.

Cet appareil de chauffage est conçu comme appareil de chauffage de chantier en conformité avec les normes ANSI Z83.7/CGA 2.14. D'autres normes régissent l'utilisation des gaz combustibles et des produits de chauffage pour des utilisations particulières. Vos autorités locales peuvent vous conseiller à propos de ces normes. La fonction principale des appareils de

chauffage de chantier est la production temporaire de chaleur pour des édifices en construction ou en cours de modification ou de réparation. Utilisés correctement, ces appareils de chauffage représentent une source de chaleur économique et sûre. Les produits de combustion sont évacués dans l'espace qui est chauffé.

Nous ne pouvons pas prévoir toutes les utilisations possibles de nos appareils de chauffage. **Vérifiez auprès de votre responsable local de la sécurité-incendie si vous avez des questions relatives à l'utilisation de l'appareil de chauffage.**

D'autres normes régissent l'utilisation des gaz combustibles et des produits de chauffage pour des utilisations particulières. Les autorités locales peuvent vous conseiller à propos de ces normes.

Empoisonnement au monoxyde de carbone : certaines personnes sont plus sensibles au monoxyde de carbone que d'autres. Les premiers symptômes d'un empoisonnement au monoxyde de carbone ressemblent à la grippe avec des maux de tête, du vertige ou de la nausée. Si vous avez ces symptômes, il se pourrait que l'appareil de chauffage ne fonctionne pas bien. **Respirez tout de suite de l'air frais !** Vérifiez si la ventilation est suffisante et faites réviser l'appareil de chauffage.

Gaz propane : le gaz propane n'a pas d'odeur. Un produit odorant est ajouté au gaz propane. Cette odeur vous permet de détecter une fuite de gaz. Cependant, cette odeur ajoutée au propane peut se dissiper. Du gaz propane peut être présent même s'il n'y a pas d'odeur.

Lisez et comprenez tous les avertissements. Conservez ce manuel pour consultation future. Il vous permettra de faire fonctionner cet appareil de chauffage correctement et en toute sécurité.

1. Installez et utilisez l'appareil de chauffage avec précaution. Respectez tous les règlements et codes locaux. En l'absence de codes ou de règlements locaux, consultez la *Norme pour l'emmagasinement et la manipulation du gaz de pétrole liquéfié (ANSI/NFPA58)* et le *Code d'installation du propane (CAN/CGA B149.2)*. Ces documents décrivent les précautions à prendre pour l'entreposage et la manutention du gaz propane.
2. N'utilisez que le tuyau et le détendeur réglé en usine qui ont été fournis avec l'appareil de chauffage.
3. N'utilisez que du gaz propane composé pour le retrait de vapeur.

INFORMATION RELATIVE À LA SÉCURITÉ *Suite*

- Assurez une ventilation suffisante. Avant d'utiliser l'appareil de chauffage, aménagez une ouverture sur l'extérieur d'au moins 0,28 m² (3 pi²) pour chaque 100 000 BTU/h de puissance.
- N'utilisez pas l'appareil de chauffage dans un édifice habité ou dans des endroits où l'on vit et dort.
- N'utilisez pas l'appareil de chauffage dans les sous-sols ou sous le niveau du sol.
- Ne placez pas de matériaux combustibles, d'essence, de solvant à peinture ou d'autres vapeurs ou liquides inflammables à proximité de l'appareil. La poussière est combustible. N'utilisez pas l'appareil de chauffage là où il y a beaucoup de poussière.
- Distances minimales entre l'appareil de chauffage et les combustibles : côtés 50,8 cm (20 po), dessus 101,6 cm (40 po), devant 137,2 cm (54 po).
- Placez l'appareil de chauffage à au moins 6 m (20 pi) des réservoirs de propane.
- Conservez les réservoirs de propane à moins de 38° C (100° F).
- Vérifiez l'appareil de chauffage avant chaque utilisation. N'utilisez pas d'appareil de chauffage endommagé.
- Avant chaque utilisation de l'appareil de chauffage, vérifiez que le tuyau n'est pas endommagé. S'il est très usé ou fendu, remplacez le tuyau par le type de tuyau spécifié par le fabricant avant d'utiliser l'appareil de chauffage.
- Placez l'appareil de chauffage sur une surface stable et de niveau si l'appareil est chaud ou en fonctionnement.
- Cet appareil n'est pas conçu pour utilisation sur des planchers finis.
- Ne bloquez jamais une ouverture d'entrée d'air ou de sortie d'air de l'appareil de chauffage.
- Éloignez l'appareil de chauffage des courants d'air, du vent, des éclaboussures, de la pluie ou de l'eau ruisselante.
- Ne laissez pas l'appareil de chauffage sans surveillance.
- Ne laissez pas les enfants et les animaux s'approcher de l'appareil de chauffage.
- Ne déplacez, ne manipulez et ne révisiez jamais un appareil de chauffage brûlant ou en opération. Vous risqueriez de vous brûler gravement. Attendez 15 minutes après avoir éteint l'appareil de chauffage.
- Pour ne pas vous blesser, portez des gants lorsque vous manipulez l'appareil de chauffage.
- Ne raccordez jamais de tuyauterie de ventilation à l'appareil de chauffage.
- Ne modifiez pas l'appareil de chauffage. Maintenez l'appareil de chauffage dans son état initial.
- N'utilisez pas l'appareil de chauffage s'il a été modifié.

- Fermez l'approvisionnement en gaz de l'appareil de chauffage s'il n'est pas utilisé.
- Utilisez seulement des pièces de rechange d'origine. Cet appareil de chauffage utilise des pièces conçues spécifiquement pour lui. N'utilisez pas de substituts ou de pièces génériques. L'utilisation de pièces de rechange inadéquates peut causer des blessures graves ou fatales.

IDENTIFICATION DU PRODUIT

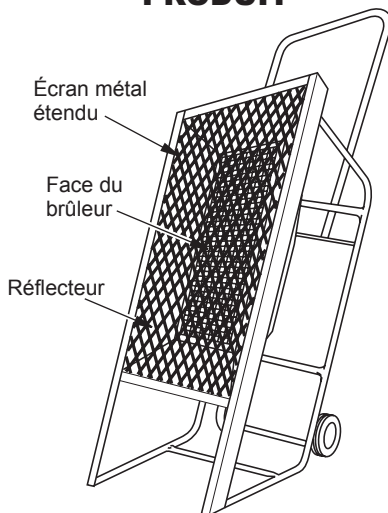


Figure 1 - Identification du produit
DÉBALLAGE

- Enlevez tout matériau d'emballage appliqué sur l'appareil de chauffage pour son expédition. Conservez les bouchons en plastique (sur la vanne et sur l'assemblage du tuyau et du détendeur) pour l'entreposage.
- Retirez toutes les pièces de l'emballage.
- Inspectez toutes les pièces pour voir si elles ont été endommagées pendant le transport. Si l'appareil de chauffage est endommagé, informez-en au plus vite le revendeur où vous l'avez acheté.

THÉORIE DE FONCTIONNEMENT

Système d'approvisionnement en carburant : pour les appareils à propane, l'assemblage de tuyau et de détendeur est relié à l'approvisionnement en gaz propane. Pour les appareils au gaz naturel, l'approvisionnement en gaz se rattache à l'appareil de chauffage par les tuyaux ou les canalisations fournis par l'utilisateur. Il achemine le combustible à l'appareil de chauffage.

Circuit d'allumage : l'allumeur piézo-électrique allume l'approvisionnement en combustible du brûleur.

Système de contrôle automatique : ce système provoque l'arrêt de l'appareil de chauffage en cas d'extinction de la flamme.

APPROVISIONNEMENT EN GAZ PROPANE

Le gaz propane et les réservoirs de propane doivent être fournis par l'utilisateur.

N'utilisez cet appareil de chauffage qu'avec un système d'approvisionnement à élimination de vapeur de propane. Consultez le chapitre 5 de la *Norme pour l'emmagasinement et la manipulation du gaz de pétrole liquéfié, ANSI/NFPA 58 et/ou CAN/CGA B149.2*. Votre bibliothèque ou votre service d'incendie a cette publication.

La quantité de gaz propane utilisable dans les réservoirs varie. Deux facteurs influencent cette quantité :

1. La quantité du liquide propane contenue dans les réservoirs
2. La température des réservoirs

Cet appareil de chauffage est conçu pour fonctionner avec un réservoir de propane d'au moins 9 kg (20 lb). Vous pourriez avoir besoin de deux ou de plusieurs réservoirs ou d'un réservoir plus grand par temps froid. Utilisez un réservoir de 45 kg (100 lb) pour allonger la période de fonctionnement à basse température. Moins de gaz se vaporise à basse température. Votre fournisseur de gaz propane local vous aidera à choisir le système d'approvisionnement qui convient. La température ambiante minimale nominale de ces appareils de chauffage est -29 °C (-20 °F).

Température moyenne ambiante	Nombre de réservoirs
supérieure à -18 °C (0 °F)	1
inférieure à -18 °C (0 °F)	2

Des réservoirs plus petits peuvent être utilisés pour des durées de fonctionnement limitées mais il est recommandé d'utiliser de grands réservoirs pour une performance optimale.

VENTILATION



AVERTISSEMENT : il doit y avoir une ouverture d'air frais sur l'extérieur d'au moins 0,28 m² (3 pi²) quand l'appareil de chauffage fonctionne. Si aucune ventilation d'air frais de l'extérieur n'est fournie, un empoisonnement au monoxyde de carbone peut se produire. Il doit y avoir une entrée d'air frais de l'extérieur adéquate pour utiliser l'appareil de chauffage.

INSTRUCTIONS D'INSTALLATION

Bien lire ces instructions. Lisez et appliquez ces instructions. Ne laissez pas une personne qui n'a pas lu ces instructions assembler, allumer, ajuster ou faire fonctionner cet appareil de chauffage.

N'essayez pas de faire fonctionner cet appareil de chauffage avec un gaz autre que celui indiqué sur la plaque signalétique de l'appareil de chauffage.

Pour les États-Unis et/ou le Canada, l'installation de cet appareil doit être conforme aux règlements locaux et/ou provinciaux ou, en l'absence de ces règlements, au *Code national sur les gaz combustibles, ANSI Z223.1 (U.S.)* – Dernière édition (pour le fonctionnement avec du gaz naturel/propane/gaz de pétrole liquéfié) et avec la *norme pour l'emmagasinement et la manipulation du gaz de pétrole liquéfié, ANSI/NFPA 58 (É.U.)* (pour le fonctionnement avec du gaz/gaz de pétrole liquéfié) ou avec les codes d'installation en vigueur CAN/CGA B149.1 et B149.2 (Canada).

Cet appareil de chauffage (y compris l'assemblage du tuyau et du détendeur) doit être vérifié avant chaque utilisation et au moins une fois l'an par un technicien qualifié. Si le tuyau montre des signes d'usure par abrasion ou s'il est fendu, il est nécessaire de le remplacer avant de faire fonctionner l'appareil de chauffage. L'assemblage du tuyau de remplacement doit être celui spécifié par le fabricant.

Interrupteur de renversement

Cet appareil de chauffage comporte un interrupteur de renversement qui éteint le brûleur automatiquement en cas de renversement. Assurez-vous que l'interrupteur est en position verticale et est bien fixé avec les vis fournies.

PLACEMENT DE L'APPAREIL DE CHAUFFAGE

Même si cet appareil de chauffage comporte un interrupteur de renversement, le réservoir d'approvisionnement en propane/gaz de pétrole liquéfié de l'appareil de chauffage doit être placé sur une surface dure et plate pour minimiser les risques de renversement accidentel. Le réservoir d'approvisionnement en propane/gaz de pétrole liquéfié doit être attaché correctement pour éviter qu'il ne se renverse. **NE PAS faire fonctionner cet appareil de chauffage avec le réservoir d'approvisionnement dans une position autre que la position verticale.**

PLACEMENT DE L'APPAREIL DE CHAUFFAGE *Suite*

Cet appareil doit être installé uniquement dans des emplacements où la possibilité de dommage physique (causés par un contact physique par exemple) est réduite au minimum.

L'installateur doit informer le propriétaire/opérateur de cet appareil que des dispositions doivent être prises pour protéger l'appareil des dommages physiques.

Cet appareil produit de la chaleur rayonnante. Il doit être situé à au moins 2 m (6 pieds) d'un réservoir de propane/gaz de pétrole liquéfié et ne doit pas être dirigé vers un tout réservoir de propane/gaz de pétrole liquéfié situé à moins de 6 m (20 pieds).

L'appareil de chauffage doit être installé dans un endroit de façon à ce qu'il ne soit pas exposé directement à des éclaboussures, de la pluie et/ou des gouttes d'eau.

L'utilisation de cet appareil de chauffage dans un endroit où il y a du vent ou des courants d'air diminue son efficacité. Si possible, faites fonctionner cet appareil dans un endroit sans courant d'air.

RACCORDEMENT À L'APPROVISIONNEMENT EN GAZ

Ce modèle peut se connecter à un système d'approvisionnement propane/gaz de pétrole liquéfié autonome en utilisant l'assemblage du tuyau et du détendeur fournis avec l'appareil OU il peut se connecter à un système d'approvisionnement propane/gaz de pétrole liquéfié installé en permanence.

Si l'assemblage du tuyau est connecté à un système d'approvisionnement propane/gaz de pétrole liquéfié autonome, il doit être vérifié avant chaque utilisation de l'appareil de chauffage. S'il existe des signes d'usure par abrasion ou si le tuyau est fendu, il est nécessaire de le remplacer avant de faire fonctionner l'appareil de chauffage.

⚠ AVERTISSEMENT : Ne jamais utiliser un réservoir conçu pour un chariot élévateur.

La connexion à une bouteille de propane ou de GPL doit être faite dans un endroit bien aéré en utilisant l'assemblage du détendeur et du tuyau fourni avec l'appareil. NE PAS essayer d'ajuster ce détendeur. Il a été réglé en usine pour fournir un fonctionnement sûr et efficace de l'appareil. Utilisez une clef 7/8 po pour connecter le raccord PP (fourni avec le détendeur propane/GPL) à une bouteille de propane ou de GPL. Tournez l'écrou PP dans le sens inverse des aiguilles d'une montre (filetage main gauche) jusqu'à ce qu'il soit bien serré. NE PAS utiliser de mastic pour joints de tubes sur le filetage PP.

L'appareil de chauffage doit être situé à au moins 2 m (6 pieds) d'une bouteille de propane/gaz de pétrole

liquéfié et ne doit pas être dirigé vers tout réservoir de propane/gaz de pétrole liquéfié situé à moins de 6 m (20 pieds). Si plus d'un appareil de chauffage est utilisé, ceux-ci doivent être à au moins 6 m (20 pieds) des bouteilles d'approvisionnement.

L'approvisionnement en gaz doit être coupé à la bouteille de gaz propane ou de GPL quand l'appareil de chauffage n'est pas utilisé.

Lorsque l'appareil de chauffage doit être entreposé à l'intérieur, la connexion entre la bouteille d'approvisionnement de propane/GPL et l'appareil de chauffage doit être déconnectée et la bouteille retirée de l'appareil de chauffage et entreposée en conformité avec le chapitre 5 de la *norme pour l'emmagasinage et la manipulation du gaz de pétrole liquéfié*. ANSII/NFPA 58.

Si le système est connecté à un système d'approvisionnement propane/GPL permanent, l'utilisation d'un assemblage de détendeur de gaz à deux phases est nécessaire, ce qui est normalement fourni par votre revendeur comme faisant partie du système d'approvisionnement propane/GPL. Consultez votre revendeur local de propane/GPL pour plus de détails concernant l'équipement et l'installation adéquate.

La canalisation doit être propre, sans calamine ou bavure.

⚠ AVERTISSEMENT : Ne jamais utiliser de flamme pour tester une fuite de gaz.

NOTICE D'UTILISATION

⚠ AVERTISSEMENT : Si vous ne suivez pas ces instructions soigneusement, un feu ou une explosion peut se produire et provoquer des dommages matériels, des blessures ou un décès.

⚠ ATTENTION : Cet appareil est brûlant durant un fonctionnement normal, évitez tout contact physique.

⚠ ATTENTION : Ne pas mettre un vêtement ou un autre matériel combustible sur cet appareil.

NE PAS faire fonctionner cet appareil de chauffage si une de ses parties a été immergée. Appelez un technicien de service qualifié pour contrôler l'appareil et remplacer une pièce quelconque du système de contrôle ou de la vanne de contrôle de gaz qui a été dans de l'eau.

NOTICE D'UTILISATION

Suite

ALLUMAGE DE L'APPAREIL DE CHAUFFAGE

1. Avant d'essayer d'allumer l'appareil de chauffage, vérifiez les fuites de gaz. Ouvrez l'approvisionnement en gaz de l'appareil et vérifiez tous les raccords et connexions pour vérifier les fuites de gaz en utilisant une solution d'eau savonneuse. NE JAMAIS utiliser une allumette pour vérifier les fuites de gaz. Si une fuite de gaz survient, fermez immédiatement l'approvisionnement en gaz de l'appareil. Réparez toutes les fuites immédiatement.
2. Utilisez uniquement le combustible destiné à cet appareil. Vérifiez la plaque signalétique de l'appareil pour l'information sur le combustible à utiliser.
3. Ouvrez l'approvisionnement en gaz principal.
4. Appuyez et maintenez enfoncé le bouton de la vanne de contrôle.
5. Appuyez sur le bouton de l'allumeur piézo-électrique de 6 à 8 fois. Le brûleur devrait s'allumer.

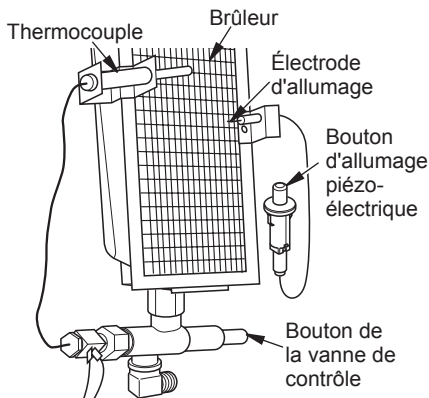


Figure 2 - Pièces de l'appareil de chauffage

Pour allumer la veilleuse avec une allumette

Tenir une allumette allumée en face du brûleur tout en maintenant enfoncé le bouton de la vanne de contrôle. Une fois que le brûleur s'allume, gardez le bouton enfoncé pendant une (1) minute ou jusqu'à ce que le brûleur reste allumé après avoir relâché le bouton. NE PAS allumer le gaz à l'orifice du brûleur. NE PAS SE METTRE en face de l'appareil de chauffage lorsque vous essayez de l'allumer. Mettez-vous toujours vers le côté de l'appareil lorsque vous l'allumez.

ATTENTION : Lorsque vous allumez le brûleur avec une allumette ou un rat-de-cave, allumez vers le bas de l'écran. Pas vers l'orifice.

Remarque : Dans les cas où de longues lignes d'approvisionnement en gaz ont été installées en amont de l'appareil, il est nécessaire d'évacuer l'air emprisonné avant d'allumer la veilleuse. Les nouvelles installations nécessitent généralement la vidange des lignes d'approvisionnement. Patientez au moins cinq minutes après la vidange des lignes d'approvisionnement avant d'essayer d'allumer l'appareil de chauffage.

IMPORTANT : NE PAS essayer de régler l'entrée du brûleur principal en utilisant la vanne principale d'approvisionnement en gaz. Cela peut entraîner la veilleuse et le thermocouple à arrêter le brûleur.

FERMETURE DE L'APPAREIL DE CHAUFFAGE

1. Fermez la vanne d'approvisionnement en gaz propane.
2. Observez le brûleur jusqu'à ce que la flamme s'éteigne.
3. Vous entendrez la fermeture de la vanne de sécurité.

IMPORTANT : NE PAS rouvrir la vanne de la bouteille d'approvisionnement en gaz avant que la vanne de sécurité ne se ferme.

NETTOYAGE ET ENTRETIEN

AVERTISSEMENT : ne tentez jamais de réparer l'appareil de chauffage pendant qu'il est branché à l'approvisionnement en propane, qu'il fonctionne ou qu'il est chaud. Des brûlures graves peuvent en résulter.

1. Éteignez l'appareil de chauffage et laissez refroidir au moins 20 minutes avant de le nettoyer.
2. Gardez l'appareil de chauffage propre. Nettoyez-le une fois l'an ou au besoin et retirez la poussière et les débris. Si l'appareil de chauffage est sale ou poussiéreux, nettoyez-le avec un chiffon humide. Employez des produits de nettoyage domestique sur les taches tenaces.
3. Inspectez l'appareil de chauffage avant chaque utilisation. Vérifiez si les branchements ne fuient pas. Appliquez une solution d'eau savonneuse sur les raccords. La présence de bulles indique une fuite. Réparez toutes les fuites immédiatement.
4. Nettoyez l'intérieur de l'appareil de chauffage en utilisant de l'air comprimé. Soufflez tout le long de la face du brûleur jusqu'à ce que toute la poussière ait été retirée de la surface du réverbère et de l'écran. Soufflez à travers le diffuseur à partir de l'extrémité de contrôle de l'appareil de chauffage.
5. Inspectez l'assemblage du tuyau et du détendeur avant chaque utilisation. Si le tuyau est très usé ou fendu, remplacez-le.
6. Faites inspecter l'appareil de chauffage une fois l'an par une entreprise de service qualifiée.

DÉPANNAGE

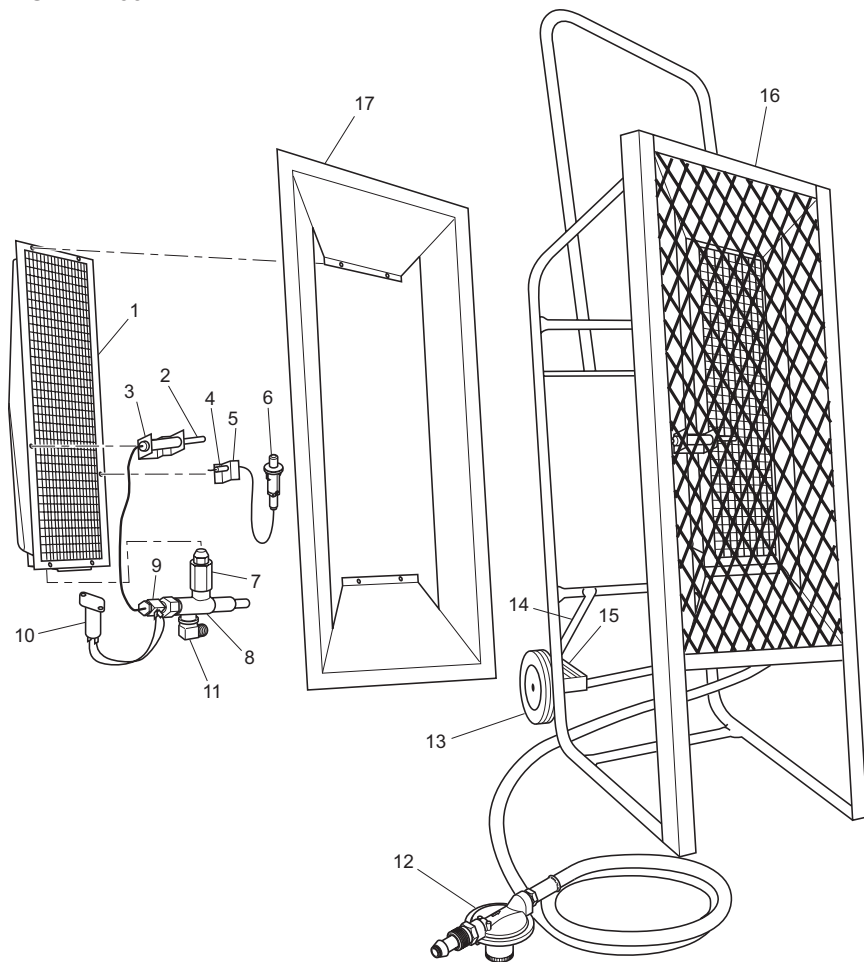


AVERTISSEMENT : ne tentez jamais de réparer l'appareil de chauffage pendant qu'il est branché à l'approvisionnement en propane, qu'il fonctionne ou qu'il est chaud. Des brûlures graves peuvent en résulter.

PROBLÈME	CAUSE POSSIBLE	SOLUTION
Le brûleur ne s'allume pas	<ol style="list-style-type: none">1. La vanne d'approvisionnement en gaz est fermée2. La vanne de limitation du débit est fermée3. L'orifice du brûleur est bouché4. Le système d'allumage piézo-électrique ne produit pas d'étincelles	<ol style="list-style-type: none">1. Ouvrez lentement la vanne d'approvisionnement en gaz2. Fermez la vanne d'approvisionnement du réservoir de propane et rouvrez-la lentement3. Remplacez l'orifice du brûleur4. Assurez-vous que l'écartement de l'électrode d'allumage est de 5 mm (0,195 po). Vérifiez si le passe-fils est endommagé et remplacez l'allumeur piézo-électrique et/ou l'électrode d'allumage si nécessaire. Ne pas courber l'électrode, cela peut la casser
La veilleuse s'allume mais s'éteint lorsque bouton du robinet de contrôle automatique est relâché	<ol style="list-style-type: none">1. Le préchauffage ne dure pas assez longtemps2. La pression du gaz est trop faible3. Le thermocouple est desserré ou doit être remplacé4. La vanne de contrôle automatique doit être remplacée	<ol style="list-style-type: none">1. Rallumez et appuyez sur le bouton de la vanne de contrôle automatique pendant 45 secondes2. Vérifiez si l'approvisionnement en gaz est conforme3. Resserrez le raccord ou remplacez le thermocouple4. Remplacez la vanne de contrôle automatique
Le taux de combustion est bas	<ol style="list-style-type: none">1. Orifices de gaz bouchés2. La pression du gaz est trop faible3. Il n'y a pas assez de carburant	<ol style="list-style-type: none">1. Remplacez l'orifice de gaz2. Vérifiez l'approvisionnement en gaz et la sortie du détendeur3. Consultez la compagnie de gaz pour déterminer l'approvisionnement adéquat. Le réservoir peut être vide
Le brûleur s'allume mais s'éteint lorsque le bouton est relâché	<ol style="list-style-type: none">1. Fils desserrés sur l'interrupteur de renversement2. Le passe-fils est desserré ou défectueux3. Le fil du thermocouple est desserré ou mal placé4. Thermocouple défectueux5. Contrôle défectueux6. Interrupteur de renversement défectueux	<ol style="list-style-type: none">1. Serrez les fils sur l'interrupteur de renversement2. Serrez ou réparez le fil3. Serrez le thermocouple. Assurez-vous que le thermocouple est situé correctement entre le réverbère et la grille4. Remplacez le thermocouple5. Remplacez le contrôle6. Remplacez l'interrupteur de renversement

VUE DÉTAILLÉE DES PIÈCES

MODÈLE 35-R



LISTE DES PIÈCES

MODÈLE 35-R

Cette liste contient les pièces de rechange utilisées dans votre appareil de chauffage. Quand vous commandez des pièces, reportez-vous aux instructions de la section *Pièces de rechange*, à la page 10 de ce manuel.

N°	N° de pièce	DESCRIPTION	QTÉ.
1	115286-01	Brûleur	1
2	114121-01	Thermocouple	1
3	117384-01	Support du thermocouple	1
4	115291-01	Électrode d'allumage	1
5	117385-01	Support du allumage	1
6	102445-01	Allumeur piézo-électrique	1
7	115287-01	Orifice	1
8	115285-01	Vanne	1
9	115289-01	Boîte de raccordement	1
10	115288-01	Interrupteur de renversement	1
11	111090-02	Coude laiton	1
12	115290-01	Assemblage du tuyau et du détendeur	1
13	115292-01	Roue	2
14	114156-02	Support de l'essieu	2
15	115294-01	Blocage de roue	2
16	117297-01	Assemblage du cadre principal inférieur	1
17	117310-01	Réflecteur	1
PIÈCES DISPONIBLES — PAS ILLUSTRÉES			
	114245-06	Étiquette de renseignements généraux	1
	115297-01	Étiquette de avertissement	1
	114246-03	Étiquette de attention	1

SPÉCIFICATIONS

- Puissance nominale : 35 000 BTU/h
- Combustible : vapeur de propane seulement
- Consommation de carburant par heure : 1,5 litres (0,38 gal.), 1,74 kg (1,6 lb)
- Pression d'approvisionnement au détendeur (pour réglage d'entrée) : Maximum : 200 lb ou pression du réservoir, Minimum : 10 lb/po²
- Pression de la tubulure : 2,3 kPa (9,5 po. C.E.)
- Température ambiante minimum de l'air : -29 °C (-20 °F)

PIÈCES DE RECHANGE

⚠ AVERTISSEMENT: n'utilisez que des pièces de rechange d'origine. Cet appareil de chauffage utilise des pièces conçues spécifiquement pour lui. N'utilisez pas de substituts ou de pièces génériques. L'utilisation de pièces de rechange inadéquates peut causer des blessures graves ou fatales. Cela protégera également la garantie des pièces remplacées sous garantie.

PIÈCES SOUS GARANTIE

Communiquez avec un revendeur autorisé de ce produit. S'il ne peut vous fournir des pièces de remplacement originales, veuillez appeler DESA Heating Products au 1-866-672-6040 ou DESA Industries au 1-905-826-8010.

Lorsque vous appelez DESA, ayez sous la main :

- votre nom et adresse
- le modèle et le numéro de série de votre appareil de chauffage
- une description de la panne de l'appareil de chauffage
- la date de l'achat

En général, nous vous demanderons de retourner la pièce à l'usine.

PIÈCES QUI NE SONT PAS SOUS GARANTIE

Communiquez avec un revendeur autorisé de ce produit. S'il ne peut vous fournir des pièces de remplacement originales, veuillez appeler DESA Heating Products' au 1-866-672-6040 ou DESA Industries au 1-905-826-8010.

Lorsque vous appelez DESA, ayez sous la main :

- le modèle et le numéro de série de votre appareil de chauffage
- le numéro de la pièce de rechange

NOTES

SERVICE DE GARANTIE ET DE RÉPARATION

CONSERVEZ CETTE GARANTIE

Modèle _____

Numéro de série _____

Date de l'achat _____

GARANTIES LIMITÉES POUR LES PRODUITS NEUFS ET LES PRODUITS REMIS EN ÉTAT

Produits neufs : DESA Heating Products garantit que cet appareil de chauffage et ses pièces sont exempts de défauts de matériaux et de fabrication et cela pour une durée d'un (1) an à partir de la date du premier achat, lorsque l'appareil de chauffage est utilisé et entretenu en conformité avec les instructions du fabricant. Ces garanties ne protègent que l'acheteur au détail d'origine, lorsqu'une preuve d'achat est fournie.

Appareils de chauffage remis en état : DESA Heating Products garantit que cet appareil de chauffage remis en état en usine et ses pièces sont exempts de défauts de matériaux et de fabrication et cela pour une durée de trente (30) jours à partir de la date du premier achat, lorsque l'appareil de chauffage est utilisé et entretenu en conformité avec les instructions du fabricant. Ces garanties ne protègent que l'acheteur au détail d'origine, lorsqu'une preuve d'achat est fournie.

Cette garantie ne couvre que le coût des pièces et de la main-d'œuvre requis pour restaurer le produit à son état de fonctionnement normal. Le transport et les frais incidents associés aux réparations sous garantie ne sont pas remboursables sous cette garantie.

Les réparations sous garantie ne sont disponibles que par l'intermédiaire de revendeurs et de centres de service autorisés.

Cette garantie ne couvre pas les défauts causés par la mauvaise utilisation, l'abus, la négligence, les accidents, le manque d'entretien adéquat, l'usure normale, les modifications, les altérations, le trafiquage, les combustibles contaminés, les réparations avec des pièces inadéquates ou les réparations par quelqu'un d'autre qu'un revendeur ou un centre de service autorisé. L'entretien de routine est la responsabilité du propriétaire.

CETTE GARANTIE EXPRESSE REMPLACE TOUTE AUTRE GARANTIE EXPRESSE OU IMPLICITE, Y COMPRIS LES GARANTIES DE COMMERCIALITÉ ET D'ADÉQUATION À UN BESOIN PARTICULIER.

DESA n'assume aucune responsabilité pour des dommages indirects, imprévus ou incidents. Certains États ou provinces ne permettent pas l'exclusion ou la restriction des dommages imprévus ou incidents et certaines restrictions ou exclusions pourraient ne pas s'appliquer à votre cas. Cette garantie limitée vous donne des droits spécifiques selon la loi; vous pourriez aussi avoir d'autres droits selon l'état ou la province où vous habitez.

Nous nous réservons le droit de modifier ces spécifications à tout moment sans préavis. La seule garantie valable est notre garantie écrite standard. Nous n'offrons aucune autre garantie, expresse ou implicite.

RÉPARATION SOUS GARANTIE

Si votre appareil de chauffage a besoin de réparation, retournez-le au centre de service autorisé le plus près de chez vous. Une preuve d'achat doit être présentée avec l'appareil de chauffage. L'appareil de chauffage sera inspecté. Un défaut peut être causé par des matériaux défectueux ou un vice de fabrication. Si tel est le cas, DESA réparera l'appareil de chauffage ou le remplacera sans frais.

SERVICE DE RÉPARATION

Retournez votre appareil de chauffage au centre de service autorisé le plus proche de chez vous. Les réparations non couvertes par la garantie seront facturées aux prix normaux. Chaque centre de service est autonome. Nous nous réservons le droit de modifier ces spécifications à tout moment sans préavis.

Lorsque vous nous écrivez pour obtenir des renseignements concernant votre appareil de chauffage, veuillez à inclure les numéros de modèle et de série qui sont inscrits sur la plaque signalétique de l'appareil. Pour plus d'informations sur cette garantie, veuillez écrire à :

DESA[™]
INDOOR/OUTDOOR PRODUCTS
2701 Industrial Drive
P.O. Box 90004
Bowling Green, KY 42102-9004, USA
ATTN: Customer Service Department

DESA[™]
INDUSTRIES OF CANADA, INC.[™]
2220 Argentia Road, Unit #4
Mississauga, Ontario
L5N 2K7



117296 01
NOT A UPC

117296-01
Rev. A
06/05

Free Manuals Download Website

<http://myh66.com>

<http://usermanuals.us>

<http://www.somanuals.com>

<http://www.4manuals.cc>

<http://www.manual-lib.com>

<http://www.404manual.com>

<http://www.luxmanual.com>

<http://aubethermostatmanual.com>

Golf course search by state

<http://golfingnear.com>

Email search by domain

<http://emailbydomain.com>

Auto manuals search

<http://auto.somanuals.com>

TV manuals search

<http://tv.somanuals.com>