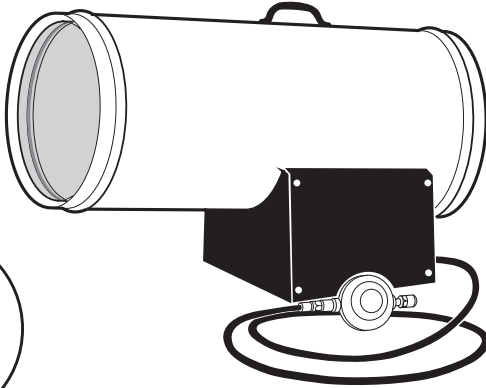




INDOOR/OUTDOOR PRODUCTS

**PROPANE/LP CONSTRUCTION FORCED AIR HEATER
OWNER'S MANUAL**



**MODELS BLP375AT, SBLP375AT AND 375-F
225,000 - 375,000 Btu/Hr With Built-In Thermostat AT Series**

IMPORTANT: Read and understand this manual before assembling, starting or servicing heater. Improper use of heater can cause serious injury. Keep this manual for future reference.

⚠ GENERAL HAZARD WARNING: Failure to comply with the precautions and instructions provided with this heater, can result in death, serious bodily injury and property loss or damage from hazards of fire, explosion, burn, asphyxiation, carbon monoxide poisoning and/or electrical shock.

Only persons who can understand and follow the instructions should use or service this heater.

If you need assistance or heater information such as an instructions manual, labels, etc. Contact the manufacturer.

Save this manual for future reference.
For more information, visit www.desatech.com

Download from www.Somanuals.com. All Manuals Search And Download.

TABLE OF CONTENTS

Safety Information	2	Service Procedures	7
Product Identification	3	Service Publications	8
Unpacking	3	Specifications	8
Theory of Operation	4	Accessories	8
Propane Supply	4	Technical Service	8
Ventilation	4	Wiring Diagrams	9
Installation	5	Replacement Parts	9
Operation	5	Illustrated Parts Breakdown and Parts List	10
Storage	6	Warranty and Repair Service	12
Maintenance	6		

SAFETY INFORMATION

⚠ WARNING: This product contains and/or generates chemicals known to the State of California to cause cancer or birth defects or other reproductive harm.

⚠ WARNING: Fire, burn, inhalation and explosion hazard. Keep solid combustibles, such as building materials, paper or cardboard, a safe distance away from the heater as recommended by the instructions. Never use the heater in spaces which do or may contain volatile or airborne combustibles or products such as gasoline, solvents, paint thinner, dust particles or unknown chemicals.

⚠ WARNING: Not for home or recreational vehicle use.

The heater is designed and approved for use as a construction heater under ANSI Z83.7•CGA 2.14-2000 Construction Heater. The purpose of construction heaters is to provide temporary heating of buildings under construction, alteration or repair. Properly used, the heater provides safe economical heating. Products of combustion are vented into the area being heated.

We cannot foresee every use which may be made of our heaters. **Check with your local fire safety authority if you have questions about heater use.**

Other standards govern the use of fuel gases and heat producing products for specific uses. Your local authorities can advise you about these.

Carbon Monoxide Poisoning: Some people are more affected by carbon monoxide than others. Early signs of carbon monoxide poisoning resemble the flu, with headaches, dizziness and/or nausea. If you have these signs, the heater may not be working properly. **Get fresh air at once!** Have heater serviced.

Propane/LP Gas: Propane/LP gas is odorless. An odor-making agent is added to propane/LP gas. The odor helps you detect a propane/LP gas leak. However, the odor added to propane/LP gas can fade. Propane/LP gas may be present even though no odor exists.

Make certain you read and understand all warnings. Keep this manual for reference. It is your guide to safe and proper operation of this heater.

1. Install and use heater with care. Follow all local ordinances and codes. In the absence of local ordinances and codes, refer to the *Standard for Storage and Handling of Liquefied Petroleum Gas, ANSI/NFPA 58* and the *Propane Installation Code, CAN/CGA B149.2*. This instructs on the safe storage and handling of propane gases.
2. Use only the electrical voltage and frequency specified on model plate. The electrical connections and grounding of the heater shall follow the *National Electric Code, ANSI/NFPA 70* or the *Canadian Electric Code, Part 1*.
3. Electrical grounding instructions - This appliance is equipped with a three-prong (grounding) plug for your protection against shock hazard and should be plugged directly into a properly grounded three-prong receptacle or extension cord.
4. This product has been approved for use in the Commonwealth of Massachusetts.
5. For indoor use only. Provide adequate ventilation.
6. Keep heater away from strong drafts, wind, water spray, rain or dripping water.

SAFETY INFORMATION

Continued

- Use only in well-vented areas. Before using heater, provide at least a three-square-foot opening of fresh, outside air for each 100,000 Btu/Hr (105,500 k/j) of rating.
 - Do not use heater outdoors or in occupied dwellings.
 - Do not use heater in living or sleeping quarters.
 - Keep appliance area clear and free from combustible materials, gasoline, paint thinner and other flammable vapors and liquids. Dust is combustible. Do not use heater in areas with high dust content.
 - This heater is equipped with a thermostat. Heater may start at anytime.
 - Check heater for damage before each use. Do not use a damaged heater.
 - Use only propane/LP gas set up for vapor withdrawal.
 - Keep propane tank(s) below 100° F (38° C).
 - Do not use heater in a basement or below ground level. Propane/LP gas is heavier than air. If a leak occurs, propane/LP gas will sink to the lowest possible level.
 - Use only the hose and factory regulator provided with the heater.
 - Check hose before each use of heater. If highly worn or cut, replace with hose specified by manufacturer before using heater.
 - Do not alter heater. Keep heater in its original state.
 - Do not use heater if altered.
 - Keep heater at least 6 feet (1.8 m) from propane/LP tank(s). Do not point heater at propane/LP tank(s) within 20 feet (6.1 m).
 - Minimum heater clearances from combustibles: Outlet: 8 Ft. (2.4 m), Sides: 2 Ft. (0.6 m), Top: 6 Ft. (1.8 m), Rear: 2 Ft. (0.6 m)
 - Locate heater on stable and level surface if heater is hot or running.
 - Keep children and animals away from heater.
 - Turn off propane/LP supply and unplug heater when not in use.
 - Never block air inlet (rear) or air outlet (front) of heater.
 - Never move, handle or service a hot, operating or plugged-in heater.
 - Never attach duct work to front or rear of heater.
- Use only original replacement parts. This heater must use design-specific parts. Do not substitute or use generic parts. Improper replacement parts could cause serious or fatal injuries.
 - Do not adjust regulator below 7 psig or above 20 psig.

PRODUCT IDENTIFICATION

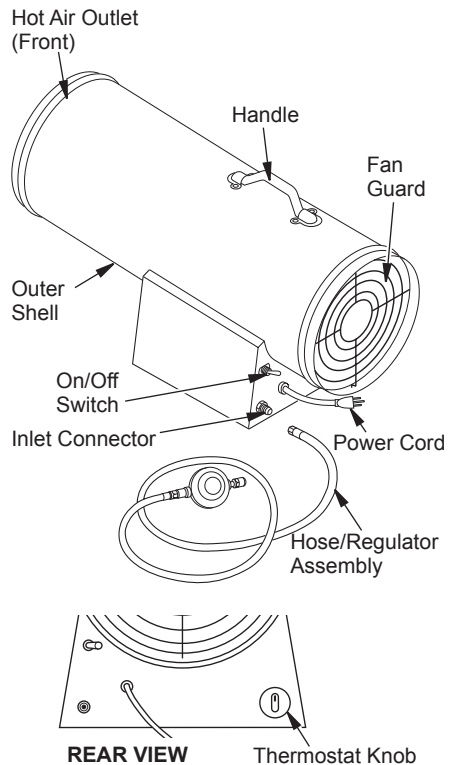


Figure 1 - 375,000 Btu/Hr Models

UNPACKING

- Remove all packing items applied to heater for shipment. Keep plastic cover cap (attached to inlet connector and hose/regulator assembly) for storage.
- Remove all items from carton.
- Check all items for shipping damage. If heater is damaged, promptly inform dealer where you bought heater.

THEORY OF OPERATION

The Fuel System: The hose/regulator assembly attaches to the propane gas supply. The propane gas moves through the solenoid valve and out the nozzle.

The Air System: The motor turns the fan. The fan pushes air into and around the combustion chamber. This air is heated and provides a stream of clean, hot air.

The Ignition System: The direct spark ignitor (DSI) sends voltage to the ignitor. The ignitor ignites the fuel and air mixture.

The Safety Control System: This system causes the heater to shut down if the flame goes out. The motor will continue to run, but no heat is produced.

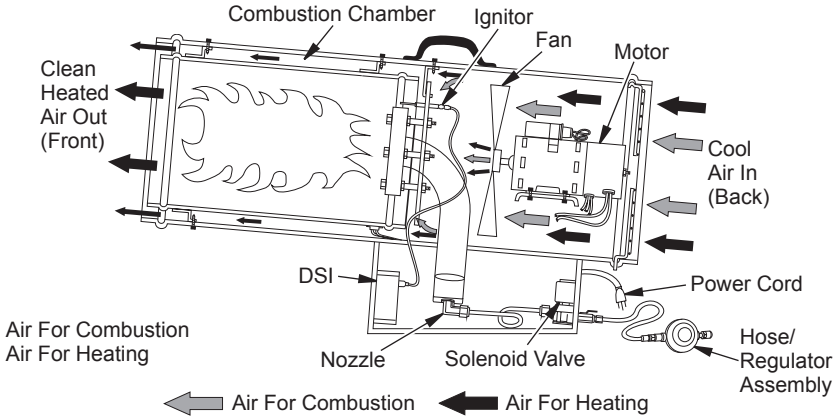


Figure 2 - Cross Section Operational View

PROPANE SUPPLY

Propane/LP gas and propane/LP tank(s) are to be furnished by the user.

Use this heater only with a propane/LP vapor withdrawal supply system. See Chapter 5 of the *Standard for Storage and Handling of Liquefied Petroleum Gas, ANSI/NFPA 58* and the *Propane Installation Code CAN/CGA B149.2*. Your local library or fire department will have these booklets.

The amount of propane/LP gas ready for use from propane/LP tanks varies. Two factors decide this amount:

1. The amount of propane/LP gas in the tank(s)
2. The temperature of tank(s)

The chart below shows the number of 100-pound tanks needed to run this heater.

Do not operate this product with any tank smaller than 100 pounds.

Temperature at tank location	Number of tanks
40° F (5° C) and above	2
Below 40° F (5° C)	(Use larger tank)

Less gas is vaporized at lower temperatures. You may need a larger tank in colder weather. Your local propane/LP gas dealer will help you select the proper supply system. The minimum surrounding air temperature rating for each heater is -20°F (-7° C).

VENTILATION

WARNING: Follow the minimum fresh, outside air ventilation requirements. If proper fresh, outside air ventilation is not provided, carbon monoxide poisoning can occur. Provide proper fresh, outside air ventilation before running heater.

Provide a fresh air opening of at least three square feet for each 100,000 Btu/Hr (105,500 k/j) rating. This heater requires a fresh air opening of at least 11.25 square feet (1.05 m²). Provide extra fresh air if more heaters are being used.

INSTALLATION

⚠ WARNING: Review and understand the warnings in the Safety Information section, page 2. They are needed to safely operate this heater. Follow all local codes when using this heater.

⚠ WARNING: Test all gas piping and connections for leaks after installing or servicing. Never use an open flame to check for a leak. Apply a mixture of liquid soap and water to all joints. Bubbles forming show a leak. Correct all leaks at once.

1. Provide propane/LP supply system (see *Propane/LP Supply*, page 4).
2. Connect POL fitting on hose/regulator assembly to propane/LP tank(s). Turn POL fitting counterclockwise into threads on tank. Tighten firmly using a wrench. **IMPORTANT:** Tighten regulator with black adjustment knob pointing down. Pointing adjustment knob down protects regulator from weather damage.
3. Connect hose to inlet connector. Tighten firmly using a wrench.

IMPORTANT: Extra hose or piping may be used if needed. Install extra hose or piping between hose/regulator assembly and propane/LP tank. You must use the regulator supplied with the heater.

4. Open propane/LP supply valve on propane/LP tank(s) slowly. **Note:** If not opened slowly, excess-flow check valve on propane/LP tank will stop gas flow. If this happens, you may hear a click inside the regulator assembly. To reset the excess flow check valve, close propane/LP supply valve and open again slowly.

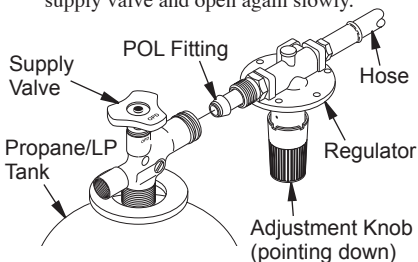


Figure 3 - Regulator With Adjustment Knob Pointing Down

5. Adjust regulator between 7 and 20 psig. **Note:** Higher regulator setting will allow heater to produce more heat.
6. Check all connections for leaks.
7. Close propane/LP supply valve.

⚠ WARNING: Do not adjust regulator below 7 psig or above 20 psig. Heater may not run properly.

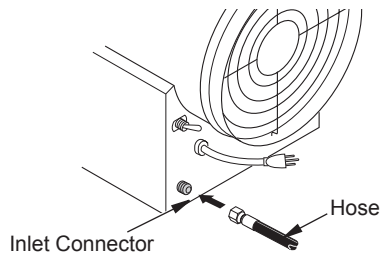


Figure 4 - Hose and Inlet Connector

OPERATION

⚠ WARNING: Review and understand the warnings in the Safety Information section, page 2. They are needed to safely operate this heater. Follow all local codes when using this heater.

TO START HEATER

1. Follow all installation, ventilation and safety information.
2. Locate heater on stable and level surface. Make sure strong drafts do not blow into front or rear of heater.
3. Plug power cord of heater into a three-prong, grounded extension cord. Extension cord must be at least six feet long. Extension cord must be UL listed.

Extension Cord Size Requirement

Up to 50 feet (15 m) long, use 18 AWG rated cord.

51 to 100 feet (15.5 to 30.5 m) long, use 16 AWG rated cord.

101 to 200 feet (30.78 to 61 m) long, use 14 AWG rated cord.

4. Plug extension cord into a 120 volt/60 hertz, three-hole, grounded outlet.

OPERATION

Continued

5. Open propane/LP supply valve on propane/LP tank(s) slowly. **Note:** If not opened slowly, excess-flow check valve on propane/LP tank will stop gas flow. If this happens, you may hear a click inside the regulator assembly. To reset the excess flow check valve, close propane/LP supply valve and open again slowly.
6. Make sure regulator is set between 7 and 20 psig. **Note:** Higher regulator setting will allow heater to produce more heat.
7. Turn on/off switch to the ON position. Adjust thermostat to desired setting. If heater does not start, thermostat setting may be too low. Turn thermostat knob to higher position to start heater. **Note:** If heater does not start, turn on/off switch to the OFF position. Wait ten seconds for safety control to reset, then try again.

TO STOP HEATER

1. Tightly close propane/LP supply valve on propane tank(s).
2. Wait a few seconds. Heater will burn gas left in supply hoses.
3. Turn on/off switch to the OFF position.
4. Unplug heater.

TO RESTART HEATER

If safety control stops gas flow to heater, motor will continue to run.

1. Turn on/off switch to the OFF position.
2. Wait ten seconds, then turn on/off switch to the ON position.

If heater does not restart

1. Check manual valves (if any) and supply valves (on propane/LP tank). Make sure they are open.
2. Check fuel level in propane/LP tank(s). If fuel level is too low, contact local propane/LP gas company.


If heater still does not restart, contact your local service center.

STORAGE

 **CAUTION: Disconnect heater from propane supply tank(s).**

1. Store propane/LP tank(s) in safe manner. See chapter 5 of *Standard for Storage and Handling of Liquefied Petroleum Gases, ANSI/NFPA 58* and the *Propane Installation Code CAN/CGA B149.2*. Follow all local codes.
2. Place plastic cover caps over brass fittings on inlet connector and hose/regulator assembly.
3. Store in dry, clean and safe place. Do not store hose/regulator assembly inside heater combustion chamber.
4. When taking heater out of storage, always check inside of heater. Insects and small animals may place foreign objects in heater. Keep inside of heater free from combustible and foreign objects.

MAINTENANCE

 **WARNING: Never service heater while it is plugged in, connected to propane supply, operating or hot. Severe burns and electrical shock can occur.**

1. Keep heater clean. Clean heater annually or as needed to remove dust and debris. If heater is dirty or dusty, clean heater with a damp cloth.
2. Inspect heater before each use. Check connections for leaks. Apply mixture of liquid soap and water to connections. Bubbles forming show a leak. Correct all leaks at once.
3. Inspect hose/regulator assembly before each use. If hose is highly worn or cut, replace.
4. Have heater inspected yearly by a qualified service agency.
5. Keep inside of heater free from combustible and foreign objects.

SERVICE PROCEDURES

⚠ WARNING: Never service heater while it is plugged in, connected to propane supply, operating or hot. Severe burns and electrical shock can occur.

CLEANING FAN

Clean fan every 500 hours of operation or as needed.

1. Remove screws on side cover using 5/16" nut-driver.
2. Remove side cover.
3. Detach the five motor wires from parts under heater shell. Be sure to detach only wires coming from motor.

The five motor wires are:

- white wire—to terminal board
- black wire—to terminal board
- blue wire—to thermal switch wire
- orange wire—to solenoid valve
- green wire—to grounding screw on shell

4. Remove fan guard from rear of heater.
5. Reach into rear of heater shell. Carefully pull motor wires through hole in bottom of shell. **Note:** Pull wires through hole one at a time.
6. Remove nuts and mounting bolts holding motor mount to shell. Use 3/8" nut-driver and 7/16" wrench.
7. Carefully pull motor and fan out of shell. **IMPORTANT:** Be careful not to damage fan. Do not set motor and fan down with the weight resting on fan. This could damage fan pitch.
8. Turn motor and fan around. Place motor and fan into shell backwards. **Note:** Motor will go into shell first (see Figure 7).
9. Line up rear mounting holes in shell with first hole on each side of motor mount (see Figure 7). **Note:** When holes are lined up, fan should be outside of shell.
10. Holding mounting bolt, carefully reach through fan blades into rear of heater. Be careful not to damage fan pitch. Insert bolt through motor mount and shell. With free hand, attach nut finger tight. Repeat process for other mounting hole.
11. Use 1/8" hex wrench to loosen setscrew which holds fan to motor shaft (see Figure 8).
12. Slip fan off motor shaft.
13. Clean fan using soft cloth moistened with kerosene or solvent.
14. Dry fan thoroughly.

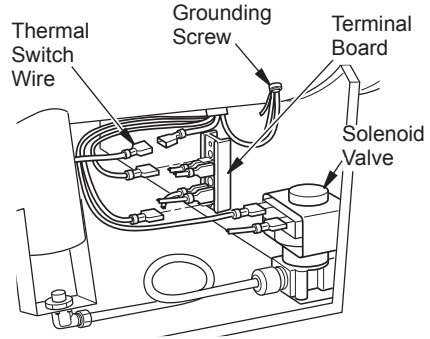


Figure 5 - Location of Motor Wires

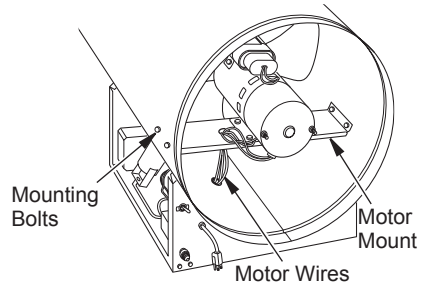


Figure 6 - Location of Fan and Motor

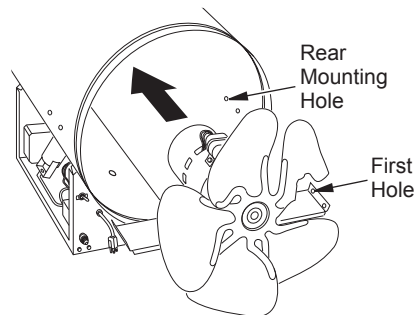


Figure 7 - Fan and Motor Turned Around

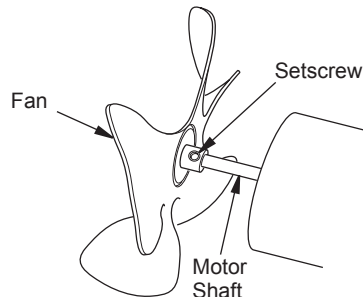


Figure 8 - Fan, Motor Shaft and Setscrew Location

SERVICE PROCEDURES

Continued

15. Replace fan on motor shaft. Make sure set-screw is touching back of flat surface on motor shaft (see Figure 9).
16. Place setscrew on flat of shaft. Tighten set-screw firmly (40-50 inch-pounds).
17. Remove two nuts and bolts securing motor mount to shell.
18. Pull motor and fan from shell. Turn motor and fan around. Carefully place back in shell.
Note: Fan will go into shell first.
19. Line up mounting holes in shell with holes on motor mount. Replace four bolts through shell and motor mount. Insert bolts from outside of heater. Tighten nuts firmly.
20. Route motor wires through hole in bottom of shell (see Figure 6, page 7).
21. Connect motor wires as follows (see Figure 5, page 7):
 - white wire—to terminal board
Note: Attach to empty connector on white wire side of terminal board
 - black wire—to terminal board
Note: Attach to empty connector on black wire side of terminal board
 - blue wire—to thermal switch wire
 - orange wire—to solenoid valve
 - green wire—to grounding screw on shell
22. Replace side cover.
23. Replace fan guard.

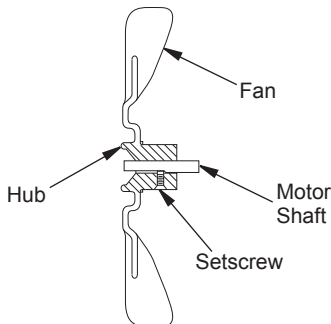


Figure 9 - Fan Cross Section

SERVICE PUBLICATIONS

You can receive an Illustrated Parts List free of charge. Send your request and a self-addressed, stamped envelope to DESA Heating Products (address on back page). Be sure to include the heater model number. You can purchase a service manual for \$5. Make check payable to DESA Heating Products.

SPECIFICATIONS

- Output Rating - 225,000 to 375,000 (Btu/Hr)
 - Fuel - Propane/LP Vapor Only
 - Fuel Consumption
Gallons(liters)/Hour - 2.5 (9.4) Min/4.0 (15) Max
Pounds(kg)/Hour - 10.4 (4.7) Min/17.4 (7.9) Max
 - Supply Pressure To Regulator
Minimum* - 25 psig (172 kPa)
Maximum - Tank Pressure
 - Regulator Outlet Pressure -
7-20 psig (48 to 138 kPa)
 - Hot Air Output - 1500 CFM (pi³/min)
 - Motor - 1725 RPM, 1/5 HP
 - Electric Input - 120 V/60 Hz
 - Amperage - 4.2
 - Ignition - Electronic Direct Spark, D.S.I.
- * (for purposes of input adjustment)

ACCESSORIES

Purchase accessories and parts from your nearest dealer or service center. If your dealer or service center can not supply an accessory or part, either contact your nearest Parts Central (listed in the separate Authorized Service Center booklet) or call DESA Heating Products at 1-866-672-6040 for referral information. You can also write to the address listed on the back page of this manual.

Fuel Gas Connector: LPA4020

A POL adapter with excess-flow check valve.

Thermostat: HA1210

TECHNICAL SERVICE

You may have further questions about installation, operation or troubleshooting. If so, contact DESA Heating Products' Technical Service Department at 1-866-672-6040. When calling please have your model and serial numbers of your heater ready.

You can also visit DESA Heating Products' technical services web site at www.desatech.com.

WIRING DIAGRAMS

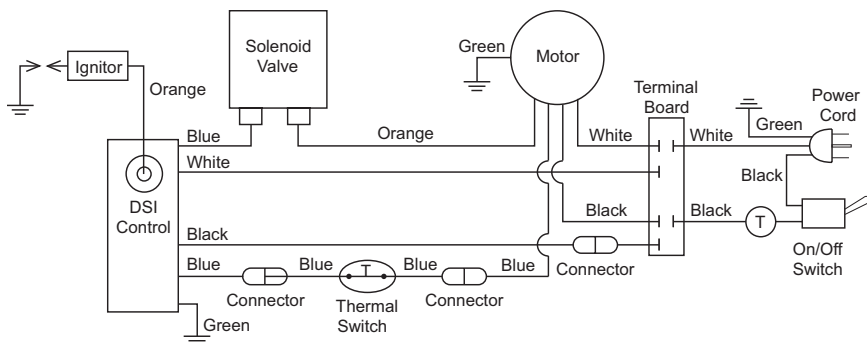


Figure 10 - Wiring Diagram

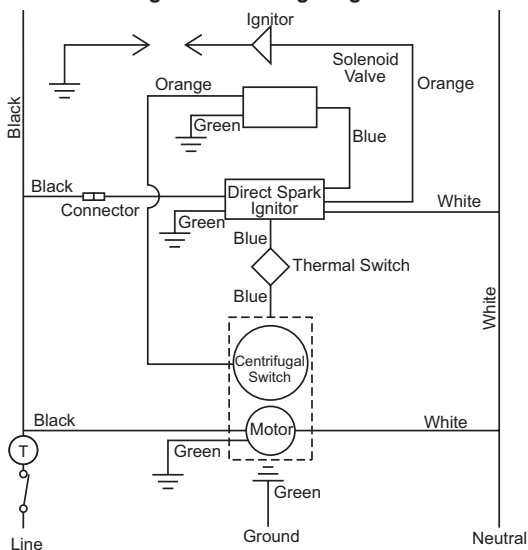


Figure 11 - Electrical Ladder Diagram

REPLACEMENT PARTS

⚠ WARNING: Use only original replacement parts. This heater must use design-specific parts. Do not substitute or use generic parts. Improper replacement parts could cause serious or fatal injuries. This will also protect your warranty coverage for parts replaced under warranty.

PARTS UNDER WARRANTY

Contact authorized dealers of this product. If they can't supply original replacement part(s), either contact your nearest Parts Central or call DESA Heating Products' Technical Service Department

at 1-866-672-6040. When calling DESA Heating Products, have ready:

- your name
- your address
- model and serial numbers of your heater
- how heater was malfunctioning
- purchase date

In most cases, we will ask you to return the part to the factory.

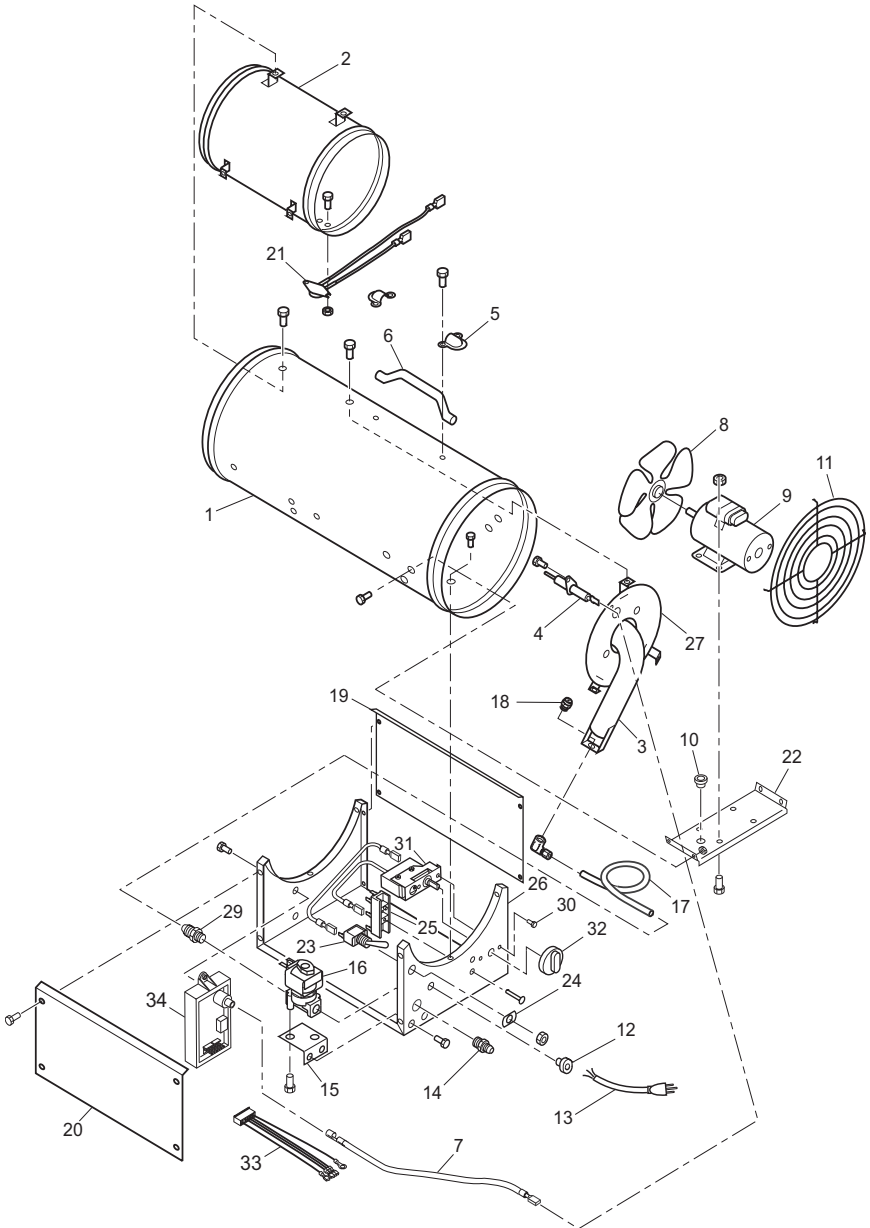
PARTS NOT UNDER WARRANTY

Contact authorized dealers of this product. If they can't supply original replacement part(s), either contact your nearest Parts Central or call DESA Heating Products at 1-866-672-6040 for referral information. When calling DESA Heating Products, have ready:

- model number of your heater
- the replacement part number

ILLUSTRATED PARTS BREAKDOWN

MODELS BLP375AT, SBLP375AT AND 375-F



Note: Screws are standard hardware items

PARTS LIST

MODELS BLP375AT, SBLP375AT AND 375-F

This list contains replaceable parts used in your heater. When ordering parts, follow the instructions listed under *Replacement Parts* on page 9 of this manual.

KEY NO.	PART NO.	DESCRIPTION	QTY.
1	097844-02	Outer Shell Assembly (BLP375AT)	1
	097844-04	Outer Shell Assembly (SBLP375AT)	1
	097844-05	Outer Shell Assembly (375-F)	1
2	**	Combustion Chamber Assembly	1
3	**	Burner Assembly	1
4	097805-01	Ignitor	1
5	097918-01	Cleat	2
6	097917-01	Handle	1
7	097806-02	Ignitor Cable	1
8	097811-01	Fan	1
9	097802-01	Motor	1
10	M50104-02	Shorty Bushing	1
11	097838-02	Fan Guard	1
12	M11143-1	Strain Relief Bushing	1
13	098219-17	Cord Assembly	1
14	097809-01	Male Fitting	1
15	097828-01	Solenoid Bracket	1
16	098201-01	Solenoid Valve	1
17	100145-01	Fuel Tube	1
18	099679-01	Nozzle	1
19	097833-04	Side Cover	1
20	097833-03	Side Cover	1
21	101732-03	Thermal Switch Kit	1
22	097829-02	Motor Mount	1
23	098226-01	On/Off Switch	1
24	*	Indicator Plate	1
25	099125-01	Terminal Board	1
26	100408-03	Base	1
27	097848-01	Rear Plate Assembly	1
28	100146-01	Elbow Fitting	1
29	098827-01	Compression Fitting	1
30	M10908-1	Screw, Hex TPG "F" 6-32x.25	2
31	097657-03	Thermostat	1
32	104905-01	Thermostat Knob	1
33	110267-01	DSI Wire Harness (2003-45 Only)	1
34	110287-01	DSI Control No. 2003-45	1
PARTS AVAILABLE - NOT SHOWN			
	M9900-170	Wire Assembly (2003-45 Only)	1
	079010-36	Wire Assembly (2003-45 Only)	1
	102971-02	Wiring Decal (2003-45 Only)	1
	102971-01	Wiring Decal (2003-19 Only)	1
	103021-03	Thermostat Decal	1
	103017-05	General Information Decal	1
	097650-01	Tradename Decal (Master)	2
	113858-05	Tradename Decal (Universal)	2
	111632-15	Model Data Decal	1
	099504-08	Warning Decal	1
	100865-09	Operation Decal	1
	LPA2020	Regulator	1
	LPA3030	Regulator & Hose Assembly	1
	097916-01	Baffle	1

* No Longer Available ** Not a field replacement part.

WARRANTY AND REPAIR SERVICE

KEEP THIS WARRANTY

Model _____

Serial No. _____

Date of Purchase _____

LIMITED WARRANTIES FOR NEW AND FACTORY RECONDITIONED PRODUCTS

New Products: DESA Heating Products warrants this heater and any parts thereof, to be free of defects in materials and workmanship for one (1) year from the date of first purchase, when operated and maintained in accordance with the manufacturer's instructions. These warranties are extended only to the original retail purchaser, when proof of purchase is provided.

Factory Reconditioned Heaters: DESA Heating Products warrants this factory reconditioned heater and any parts thereof, to be free of defects in materials and workmanship for thirty (30) days from the date of first purchase, when operated and maintained in accordance with the manufacturer's instructions. These warranties are extended only to the original retail purchaser, when proof of purchase is provided.

These warranties cover only the cost of parts and labor required to restore the product to proper operating condition. Transportation and incidental costs associated with warranty repairs are not reimbursable under this warranty.

Warranty service is available only through authorized dealers and service centers.

This warranty does not cover defects resulting from misuse, abuse, negligence, accidents, lack of proper maintenance, normal wear, alteration, modification, tampering, contaminated fuels, repair using improper parts or repair by anyone other than an authorized dealer or service center. Routine maintenance is the responsibility of the owner.

THIS EXPRESS WARRANTY IS GIVEN IN LIEU OF ANY OTHER WARRANTY EITHER EXPRESSED OR IMPLIED, INCLUDING WARRANTIES OF MERCHANTABILITY AND FITNESS FOR A PARTICULAR PURPOSE.

DESA Heating Products assumes no responsibility for indirect, incidental or consequential damages. Some states do not allow the exclusion or limitation of incidental or consequential damages or limitations or exclusions may not apply to you. This limited warranty gives you specific legal rights and you may also have other rights which vary from state to state.

We reserve the right to amend these specifications at any time without notice. The only warranty applicable is our standard written warranty. We make no other warranty, expressed or implied.

WARRANTY SERVICE

Should your heater require service, return it to your nearest authorized service center. Proof of purchase must be presented with the heater. The heater will be inspected. A defect may be caused by faulty materials or workmanship. If so, DESA Heating Products will repair or replace the heater without charge.

REPAIR SERVICE

Return your heater to your nearest authorized service center. Repairs not covered by the warranty will be billed at standard prices. Each Service Center is independently owned and operated. We reserve the right to amend these specifications at any time without notice. When writing, always include model number and serial number. For information, write:

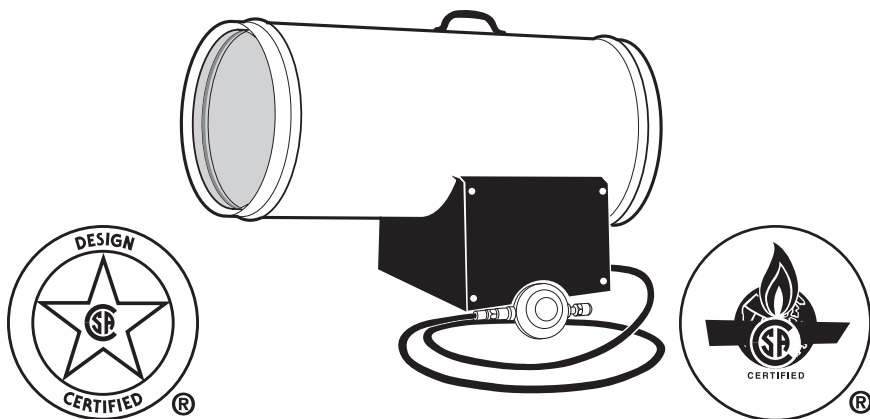
DESA[™]
INDOOR/OUTDOOR PRODUCTS
2701 Industrial Drive
P.O. Box 90004
Bowling Green, KY 42102-9004

DESA[™]
INDUSTRIES OF CANADA, INC.
2220 Argentia Road, Unit #4
Mississauga, Ontario L5N2K7
905-826-8010

DESA™

INDOOR/OUTDOOR PRODUCTS

CALENTADOR DE AIRE FORZADO DE PROPANO O GAS LP PARA CONSTRUCCIÓN MANUAL DEL PROPIETARIO



MODELOS BLP375AT, SBLP375AT Y 375-F
225,000 a 375,000 BTU/h con termostato integrado serie AT

IMPORTANTE: Lea y comprenda este manual antes de ensamblar, encender o dar servicio al calentador. El uso inadecuado del calentador puede causar lesiones graves. Conserve este manual para referencias futuras.

⚠️ ADVERTENCIA GENERAL DE PELIGRO: la inobservancia de las precauciones e instrucciones proporcionadas con este calentador puede causar la muerte, lesiones físicas graves y pérdidas o daños a la propiedad ocasionados por incendios, explosiones, quemaduras, asfixia, intoxicación con monóxido de carbono y/o electrocución.

Únicamente las personas que puedan entender y seguir las instrucciones deberán usar o dar servicio a este calentador.

Si necesita ayuda o información sobre el calentador, como manuales de instrucciones, etiquetas, etc., comuníquese con el fabricante.

Guarde este manual para referencias futuras.
Para obtener más información, visite www.desatech.com

Download from www.Somanuals.com. All Manuals Search And Download.

TABLA DE CONTENIDO

Información de seguridad	2	Procedimientos de servicio	7
Identificación del producto	3	Publicaciones de servicio	8
Desempaque	3	Especificaciones	8
Teoría del funcionamiento	4	Accesorios	8
Suministro de propano	4	Servicio técnico	8
Ventilación	4	Diagramas de cableado	9
Instalación	5	Piezas de repuesto	9
Funcionamiento	5	Clasificación ilustrada de piezas y lista de piezas	10
Almacenamiento	6	Garantía y servicio de reparación	12
Mantenimiento	6		

INFORMACIÓN DE SEGURIDAD

⚠ ADVERTENCIA: Este producto contiene y/o genera químicos que el Estado de California reconoce como causantes de cáncer, defectos de nacimiento u otros daños reproductivos.

⚠ ADVERTENCIA: Peligro de incendio, quemaduras, inhalación y explosión. Mantenga los combustibles sólidos, como son los materiales de construcción, papel o cartón, a una distancia segura del calentador según se recomienda en las instrucciones. Nunca use el calentador en áreas en las que hayan, o puedan haber, combustibles volátiles o que se acumulen en el aire, o bien, productos como gasolina, solventes, diluyente de pintura, partículas de polvo o químicos desconocidos.

⚠ ADVERTENCIA: No se utilice en residencias ni en vehículos recreativos.

El calentador fue diseñado y aprobado para su uso como calentador para construcción bajo la norma de calentadores para construcción ANSI Z83.7•CGA 2.14-2000. El propósito de los calentadores para construcción es proporcionar calefacción temporal a edificios en construcción, modificación o reparación. Cuando se usa correctamente, el calentador proporciona calefacción económica y segura. Los productos provenientes de la combustión se lanzan al área que se está calentando.

No podemos prever todos los usos que se les pueden dar a nuestros calentadores. **Verifique con la autoridad**

local de seguridad contra incendios si tiene preguntas acerca del uso de calentadores.

Otras normas rigen el uso de gases combustibles y productos que producen calor para usos específicos. Las autoridades locales pueden informarle sobre éstas.

Intoxicación con monóxido de carbono: algunas personas sufren mayores efectos del monóxido de carbono que otras. Los primeros signos de intoxicación con monóxido de carbono son semejantes a los de la gripe, con dolor de cabeza, mareo o náusea. Si usted presenta estos síntomas, es posible que el calentador no esté funcionando correctamente. **¡Respire aire fresco inmediatamente!** Haga que le den servicio al calentador.

Propano o gas LP: el propano o gas LP es inodoro. Al propano o gas LP se le agrega un agente que tiene olor. El olor le ayuda a detectar las fugas de propano o gas LP. Sin embargo, el olor que se añade al propano o gas LP puede desvanecerse. Es posible que haya propano o gas LP en el entorno aunque no haya ningún olor.

Asegúrese de leer y comprender todas las advertencias. Conserve este manual para referencia. Es su guía para la operación segura y correcta de este calentador.

1. Instale y use el calentador cuidadosamente. Siga las ordenanzas y los códigos locales. A falta de reglamentos y códigos locales, consulte la *Norma de almacenamiento y manejo de gas licuado de petróleo, ANSI/NFPA 58* y el *Código de instalación de gas propano, CAN/CGA B149.2*. Ésta proporciona instrucciones acerca del almacenamiento y manejo seguro del propano.
2. Use solamente la tensión eléctrica y la frecuencia especificadas en la placa del modelo. Las conexiones eléctricas y de tierra del calentador deberán estar de acuerdo al *Código eléctrico nacional, ANSI/NFPA 70* o al *Código eléctrico canadiense, parte 1*.
3. Instrucciones de conexión eléctrica a tierra: este aparato está equipado con una clavija de tres patas (con conexión a tierra) para su protección contra peligros de descargas eléctricas y se tiene que conectar directamente a un enchufe de pared o cable de extensión de tres ranuras.
4. Este producto ha sido aprobado para su uso en el Estado de Massachusetts.
5. Para uso en interiores solamente. Proporcione una ventilación adecuada.

INFORMACIÓN DE SEGURIDAD

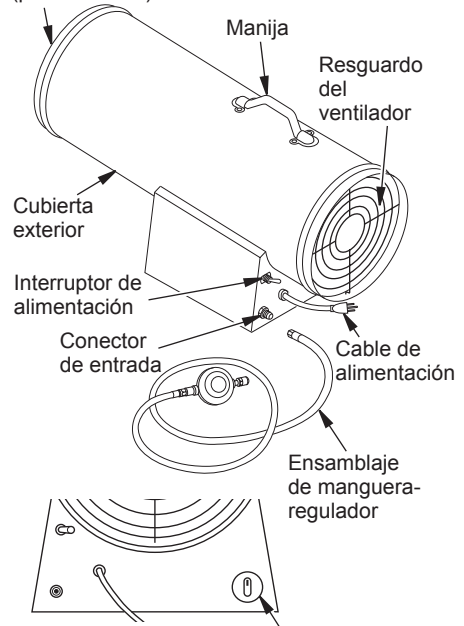
Continuación

- Mantenga el calentador alejado de corrientes fuertes de aire, viento, rocío, lluvia o goteos de agua.
- Úsese solamente en áreas bien ventiladas. Antes de usar el calentador, asegúrese de que exista una abertura de aire fresco del exterior de al menos 0.28 metros² (3 pies²) por cada 100,000 BTU/h (105,500 k/j) de clasificación.
- No use el calentador en el exterior ni en viviendas habitadas.
- No use el calentador en áreas de estar o dormitorios.
- Mantenga el área cerca del aparato despejada y libre de materiales combustibles, gasolina, diluyentes de pintura y otros vapores y líquidos inflamables. El polvo es combustible. No use el calentador en áreas con un alto contenido de polvo.
- Este calentador está equipado con termostato. El calentador puede empezar a funcionar en cualquier momento.
- Antes de cada uso, verifique si el calentador ha sufrido algún daño. No use un calentador dañado.
- Use solamente el montaje de propano o gas LP para la extracción de vapores.
- Mantenga el (los) tanque(s) de propano a menos de 38° C (100° F).
- No use el calentador en un sótano ni debajo del nivel del suelo. El propano o gas LP es más pesado que el aire. Si se produce una fuga, el propano o gas LP se asentará en el nivel más bajo posible.
- Use sólo el regulador de fábrica y la manguera que se incluyen con el calentador.
- Revise la manguera antes de cada uso del calentador. Si la manguera está muy desgastada o con roturas, reemplácela con una manguera especificada por el fabricante antes de usar el calentador.
- No altere el calentador. Mantenga el calentador en su estado original.
- No use el calentador si éste ha sido alterado.
- Mantenga el calentador alejado de los tanques de propano o gas LP a una distancia de al menos 1.8 m (6 pies). No apunte el calentador a los tanques de propano o gas LP que se encuentren a menos de 6.1 m (20 pies).
- Distancia mínima del calentador alejado de los combustibles: enchufe: 2.4 m (8 pies), laterales: 0.6 m (2 pies), parte superior: 1.8 m (6 pies), parte posterior: 0.6 m (2 pies)
- Sitúe el calentador en una superficie estable y nivelada si el calentador está caliente o en funcionamiento.
- Evite que los niños y los animales se acerquen al calentador.
- Cierre el suministro de propano o gas LP al calentador y desenchufe este último cuando no se esté usando.

- Nunca bloquee la entrada de aire (parte posterior) ni la salida de aire (parte anterior) del calentador.
- Nunca mueva, maneje o repare un calentador en funcionamiento, caliente, o conectado.
- Nunca conecte conductos a la parte anterior o posterior del calentador.
- Use sólo piezas de repuesto originales. Este calentador debe usar piezas diseñadas específicamente. No las sustituya ni use piezas genéricas. El uso de piezas de repuesto inadecuadas puede ocasionar lesiones graves o fatales.
- No ajuste el regulador a menos de 7 PSIG ni por encima de 20 PSIG.

IDENTIFICACIÓN DEL PRODUCTO

Salida de aire caliente (parte anterior)



VISTA POSTERIOR

Figura 1 - Modelos de 375,000 BTU/h

DESEMPAQUE

- Retire todos los artículos de empaque que acompañan al calentador para su envío. Mantenga los tapones de plástico (fijados al ensamblaje de manguera-regulador y al conector de entrada) puestos cuando se guarde.
- Saque todos los elementos de la caja.
- Revise todos los elementos para ver si hay daños debidos al transporte. Si el calentador está dañado, informe de inmediato al distribuidor a quien lo compró.

TEORÍA DEL FUNCIONAMIENTO

El sistema de combustible: el ensamblaje de manguera-regulador se fija al suministro de gas propano. El gas propano se mueve a través de la válvula de solenoide y sale por la boquilla.

El sistema de aire: el motor hace girar el ventilador. El ventilador empuja aire al interior y alrededor de la cámara de combustión. Este aire se calienta y proporciona una corriente de aire limpio y caliente.

El sistema de encendido: el encendedor de chispa directa (DSI) envía corriente al sistema de encendido. El encendedor hace que arda la mezcla de combustible y aire.

El sistema de control de seguridad: este sistema hará que el calentador se apague si la llama se extingue. El motor continuará funcionando pero no se producirá calor.

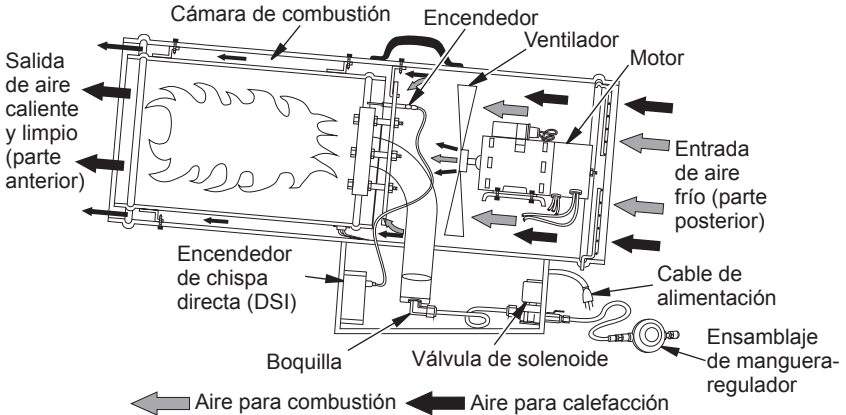


Figura 2 - Vista del funcionamiento en sección transversal

SUMINISTRO DE PROPANO

El propano o gas LP y el (los) tanque(s) de propano o gas LP los debe aprovisionar el usuario.

Use el calentador solamente con un sistema de suministro con extracción de vapores de propano o gas LP. Consulte el capítulo 5 de la *Norma para almacenamiento y manejo de gases licuados de petróleo, ANSI/NFPA 58* y el *Código para instalación de propano CAN/CGA B149.2*. La biblioteca local o el departamento de bomberos deben tener estos folletos.

La cantidad de propano o gas LP lista para usarse de los tanques de propano o gas LP varía. Dos factores determinan esta cantidad:

1. La cantidad de propano o gas LP que haya en los tanques
2. La temperatura de los tanques

La tabla a continuación muestra el número de tanques de 45 kg (100 libras) necesarios para el funcionamiento de este calentador.

No opere este producto con tanques de menos de 45 kg (100 libras).

Temperatura en la ubicación del tanque	Número de tanques
5°C (40°F) y más	2
Por debajo de 5°C (40°F) (use un tanque más grande)	

A temperaturas más bajas se vaporiza menos gas. Es posible que necesite un tanque más grande cuando el tiempo esté más frío. El surtidor de propano o gas LP de su localidad le ayudará a seleccionar el sistema de suministro apropiado. La temperatura mínima del aire circundante de cada calentador es de -7°C (-20°F).

VENTILACIÓN

⚠ ADVERTENCIA: Siga los requerimientos mínimos de ventilación de aire fresco del exterior. Si no se procura ventilación de aire fresco del exterior, puede ocurrir una intoxicación con monóxido de carbono. Procure ventilación de aire fresco del exterior antes de encender el calentador.

Asegúrese de contar con una abertura de aire fresco de al menos 0.28 metros² (tres pies²) por cada 100,000 BTU/h (105,500 kJ) de clasificación. Este calentador requiere de un espacio abierto con aire fresco de al menos 1.05 m² (11.25 pies²). Proporcione más aire fresco si se utilizan más calentadores.

INSTALACIÓN

⚠ ADVERTENCIA: Revise y comprenda las advertencias en la sección *Información de seguridad*, página 2. Son necesarias para hacer funcionar este calentador de manera segura. Siga todos los códigos locales al utilizar este calentador.

⚠ ADVERTENCIA: Pruebe todas las tuberías de gas y sus conexiones para saber si hay fugas después de la instalación o reparación. Nunca use una llama al descubierto para verificar una fuga. Aplique una mezcla de jabón líquido y agua en todas las uniones. La formación de burbujas indicará una fuga. Repare todas las fugas inmediatamente.

1. Proporcione un sistema de suministro de propano o gas LP (consulte *Suministro de Propano o gas LP*, página 4).
2. Conecte el niple de rosca invertida en el ensamblaje de manguera-regulador al los tanques de propano o gas LP. Gire el niple de rosca invertida en el sentido contrario al de las manecillas del reloj dentro de las roscas del tanque. Apriete firmemente usando una llave. **IMPORTANTE:** Apriete el regulador con la perilla negra de ajuste apuntando hacia abajo. Apuntar la perilla hacia abajo protege el regulador de las inclemencias del tiempo.
3. Conecte la manguera al conector de entrada. Apriete firmemente usando una llave. **IMPORTANTE:** Si es necesario, se pueden utilizar más mangueras o tuberías. Instale la manguera o tubería adicional entre el ensamblaje de manguera-regulador y el tanque de propano o gas LP. Debe usar el regulador que se incluye con el calentador.
4. Abra lentamente la válvula del suministro de los tanques de propano o gas LP. **Nota:** Si no se abre lentamente, la válvula de exceso de flujo del tanque de propano o gas LP detendrá el flujo de gas. Si esto ocurre, es posible que se escuche un chasquido en el interior del ensamblaje del regulador. Para restablecer la válvula de exceso de flujo, cierre la válvula del suministro de propano o gas LP y ábrala de nuevo lentamente.
5. Ajuste el regulador entre 7 y 20 PSIG. **Nota:** La selección de un valor más alto del regulador permitirá que el calentador produzca más calor.
6. Revise todas las conexiones en busca de fugas.
7. Cierre la válvula del suministro de propano o gas LP.

⚠ ADVERTENCIA: No ajuste el regulador a menos de 7 PSIG ni por encima de 20 PSIG. El calentador podría no funcionar adecuadamente.

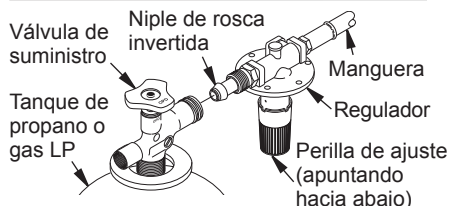


Figura 3 - Regulador con perilla de ajuste apuntando hacia abajo

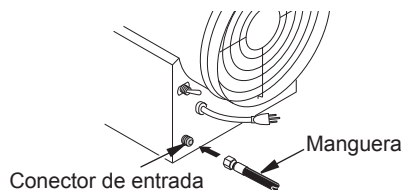


Figura 4 - Manguera y conector de entrada

FUNCIONAMIENTO

⚠ ADVERTENCIA: Revise y entienda las advertencias en la sección *Información de seguridad*, en la página 2. Son necesarias para hacer funcionar este calentador de manera segura. Siga todos los códigos locales al utilizar este calentador.

PARA ENCENDER EL CALENTADOR

1. Haga caso a toda la información de instalación, de ventilación y de seguridad.
2. Sitúe el calentador en una superficie estable y nivelada. Asegúrese de que no haya corrientes fuertes de aire entrando en la parte anterior o posterior del calentador.
3. Conecte el cable de alimentación del calentador a un cable de extensión con conexión a tierra de tres patas. El cable de extensión debe tener al menos 1.8 m (6 pies) de longitud. El cable de extensión debe estar aprobado en la lista de UL.

Requisitos de dimensiones del cable de extensión

- Hasta 15 m (50 pies) de largo, use cable de calibre 18 AWG.
- De 15.5 a 30.5 m (de 51 a 100 pies) de largo, use cable de calibre 16 AWG.
- De 30.78 a 61 m (de 101 a 200 pies) de largo, use cable de calibre 14 AWG.

FUNCIONAMIENTO

Continuación

4. Conecte el cable de extensión a un enchufe con conexión a tierra de tres orificios de 120 V/60 Hz.
5. Abra lentamente la válvula del suministro de los tanques de propano o gas LP. *Nota:* Si no se abre lentamente, la válvula de exceso de flujo del tanque de propano o gas LP detendrá el flujo de gas. Si esto ocurre, es posible que se escuche un chasquido en el interior del ensamblaje del regulador. Para restablecer la válvula de exceso de flujo, cierre la válvula del suministro de propano o gas LP y ábrala de nuevo lentamente.
6. Asegúrese que el regulador esté en una posición entre 7 y 20 PSIG. *Nota:* La selección de un valor más alto del regulador permitirá que el calentador produzca más calor.
7. Coloque el interruptor de alimentación en la posición de encendido. Ajuste el termostato a la posición deseada. Si el calentador no enciende, es posible que el termostato tenga seleccionado un valor muy bajo. Gire la perilla del termostato hacia el valor más alto para encender el calentador. *Nota:* Si el calentador no enciende, ponga el interruptor de alimentación en la posición de apagado. Espere diez segundos a que el control de seguridad se restablezca y después vuelva a intentarlo.

PARA APAGAR EL CALENTADOR

1. Cierre firmemente la válvula del suministro de propano en los tanques de propano o gas LP.
2. Espere unos cuantos segundos. El calentador quemará el gas que quede en las mangueras de suministro.
3. Coloque el interruptor de alimentación en la posición de apagado.
4. Desenchufe el calentador.

PARA VOLVER A ENCENDER EL CALENTADOR

Si el control de seguridad detiene el flujo de gas al calentador, el motor continuará funcionando.


1. Coloque el interruptor de alimentación en la posición de apagado.
2. Espere diez segundos y entonces ponga el interruptor de alimentación en la posición de encendido.

Si el calentador no se vuelve a encender

1. Revise la válvulas manuales (si existe alguna) y las válvulas de suministro (en el tanque de propano o gas LP). Asegúrese de que estén abiertas.
2. Revise el nivel de combustible de los tanques de propano o gas LP. Si el nivel de combustible es muy bajo, póngase en contacto con su proveedor local de propano o gas LP.


Si el calentador sigue sin encender, póngase en contacto con su centro local de servicio.

ALMACENAMIENTO

 **PRECAUCIÓN: Desconecte el calentador de los tanques de suministro de propano.**

1. Guarde los tanques de propano o gas LP de forma segura. Consulte el capítulo 5 de la *Norma para almacenamiento y manejo de gases licuados de petróleo, ANSI/NFPA 58* y el *Código para instalación de propano CAN/CGA B149.2*. Siga todos los códigos locales.
2. Coloque tapones de plástico sobre los nipples de latón en el conector de entrada y en el ensamblaje de manguera-regulador.
3. Guárdelo en un lugar seco, limpio y seguro. No guarde el ensamblaje de manguera-regulador en el interior de la cámara de combustión del calentador.
4. Siempre revise el interior del calentador cuando lo saque del lugar de almacenamiento. Los insectos y animales pequeños pueden haber introducido cuerpos extraños al interior del calentador. Mantenga el interior del calentador libre de objetos extraños y combustibles.

MANTENIMIENTO

 **ADVERTENCIA: Nunca intente reparar un calentador mientras esté enchufado, conectado al suministro de propano, esté funcionando o esté caliente. Pueden ocurrir quemaduras graves y electrocución.**

1. Mantenga el calentador limpio. Limpie el calentador anualmente o según sea necesario para retirar el polvo y los residuos. Si el calentador está sucio o con polvo, límpielo con un paño húmedo.
2. Inspeccione al calentador antes de cada uso. Revise las conexiones en busca de fugas. Aplique una mezcla de jabón líquido y agua en todas las conexiones. La formación de burbujas indicará una fuga. Repare todas las fugas inmediatamente.
3. Inspeccione el ensamblaje de manguera-regulador antes de cada uso. Si la manguera está muy desgastada o con roturas, reemplácela.
4. Haga que una agencia de servicio calificada inspeccione el calentador anualmente.
5. Mantenga el interior del calentador libre de objetos extraños y combustibles.

PROCEDIMIENTOS DE SERVICIO

⚠ ADVERTENCIA: Nunca intente reparar un calentador mientras esté enchufado, conectado al suministro de propano, esté funcionando o esté caliente. Pueden ocurrir quemaduras graves y electrocución.

LIMPIEZA DEL VENTILADOR

Limpie el ventilador cada 500 horas de funcionamiento o según sea necesario.

1. Quite los tornillos de la cubierta lateral utilizando un destornillador para tuercas de 5/16 de pulgada.
2. Retire la cubierta lateral.
3. Desconecte los cinco cables del motor de las piezas debajo de la cubierta del calentador. Asegúrese de desconectar sólo los cables que provienen del motor.

Los cinco cables del motor son:

- cable blanco: al tablero de terminales
- cable negro: al tablero de terminales
- cable azul: al cable del interruptor térmico
- cable naranja: a la válvula de solenoide
- cable verde: al tornillo de conexión a tierra en la cubierta

4. Retire el resguardo del ventilador de la parte posterior del calentador.
5. Acceda al interior de la parte posterior de la cubierta del calentador. Tire cuidadosamente de los cables del motor a través del orificio en la parte inferior de la cubierta. **Nota:** Tire de los cables a través del orificio, uno a la vez.
6. Retire las tuercas y los pernos de montaje que sujetan el montaje del motor a la cubierta. Use un destornillador para tuercas de 3/8 de pulgada y una llave de 7/16 de pulgada.
7. Cuidadosamente, jale el motor y el ventilador hacia afuera de la cubierta. **IMPORTANTE:** Tenga cuidado de no dañar el ventilador. No coloque el motor y el ventilador en el suelo con el peso descansando en el ventilador. Esto podría dañar la inclinación del ventilador.
8. Gire el motor y el ventilador. Coloque el motor y ventilador dentro de la cubierta al revés. **Nota:** El motor debe entrar primero a la cubierta (consulte la figura 7).
9. Alinee los orificios de montaje de la parte posterior de la cubierta con los primeros orificios de cada lado del montaje del motor (consulte la figura 7). **Nota:** Cuando los orificios estén alineados, el ventilador deberá estar fuera de la cubierta.
10. Mientras sujeta el perno de montaje, acceda cuidadosamente a la parte posterior del calentador a través de las aspas del ventilador. Tenga cuidado de no dañar la inclinación del ventilador. Inserte el perno a través del montaje

del motor y la cubierta. Con la otra mano, fije la tuerca apretándola con los dedos. Repita el proceso para el otro orificio de montaje.

11. Use una llave hexagonal de 1/8 de pulgada para aflojar el tornillo de fijación que sostiene el ventilador al eje del motor (consulte la figura 8).
12. Saque el ventilador del eje del motor.

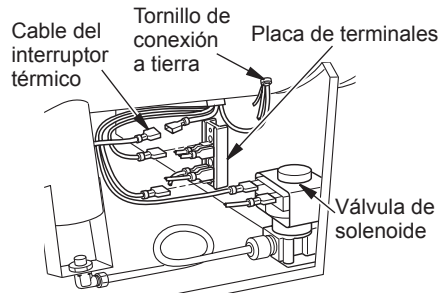


Figure 5 - Ubicación de los cables del motor

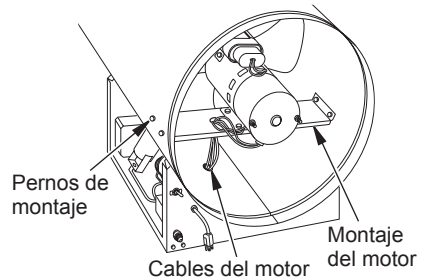


Figure 6 - Ubicación del ventilador y del motor

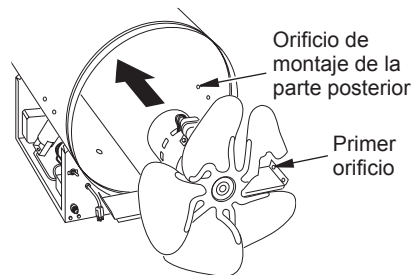


Figure 7 - Ventilador y motor invertidos

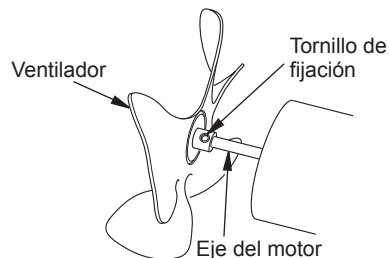


Figure 8 - Ubicaciones del ventilador, eje del motor y tornillo de fijación

PROCEDIMIENTOS DE SERVICIO *Continuación*

13. Limpie el ventilador utilizando un paño suave humedecido con keroseno o con solvente.
14. Seque completamente el ventilador.
15. Vuelva a colocar el ventilador en el eje del motor. Asegúrese de que el tornillo de fijación esté tocando la parte posterior de la superficie plana del eje del motor (consulte la figura 9).
16. Coloque el tornillo de fijación en la parte plana del eje. Apriete los tornillos de fijación firmemente (40-50 pulgada-libra).
17. Retire las dos tuercas y los pernos de montaje que aseguran el montaje del motor a la cubierta.
18. Tire del motor y ventilador para quitarlos de la cubierta. Gire el motor y el ventilador. Vuelva a colocarlos cuidadosamente en la cubierta. *Nota:* El ventilador debe entrar primero a la cubierta.
19. Alinee los orificios de montaje de la cubierta con los orificios de montaje del motor. Vuelva a colocar los cuatro pernos a través de la cubierta y el montaje del motor. Inserte los pernos por fuera del calentador. Apriete las tuercas firmemente.
20. Pase los cables del motor a través del orificio en la parte inferior de la cubierta (consulte la figura 6 de la página 7).
21. Conecte los cables del motor como se indica a continuación (consulte la figura 5 de la página 7):
 - cable blanco: al tablero de terminales.
 - Nota:* Fíjelo a un conector desocupado del lado del cable blanco del tablero de terminales.
 - cable negro: al tablero de terminales.
 - Nota:* Fíjelo a un conector desocupado del lado del cable negro del tablero de terminales.
 - cable azul: al cable del interruptor térmico
 - cable naranja: a la válvula de solenoide
 - cable verde: al tornillo de conexión a tierra en la cubierta
22. Vuelva a colocar la cubierta lateral.
23. Vuelva a colocar el resguardo del ventilador.

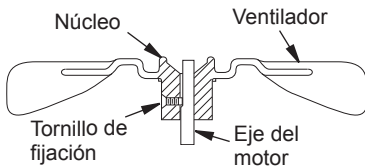


Figura 9 - Sección transversal del ventilador

PUBLICACIONES DE SERVICIO

Puede recibir una lista ilustrada de piezas sin cargo alguno. Envíe su solicitud y un sobre con su dirección y sello postal a DESA Heating Products (dirección en la última página). Asegúrese de incluir el número de modelo del calentador. Puede comprar un manual de servicio por \$5. Escriba el cheque a nombre de DESA Heating Products.

ESPECIFICACIONES

- Potencia nominal de salida - 225,000 a 375,000 (BTU/h)
 - Combustible - vapor de propano o gas LP solamente
 - Consumo de combustible
litros(galones)/hora - 9.4(2.5) mín./15(4.0) máx.
kg(libras)/hora - 4.7(10.4) mín./7.9(17.4) máx.
 - Presión del suministro al regulador
Mínima* - 172 kPa (25 psig)
Máxima - presión del tanque
 - Presión de salida del regulador - 48 a 138 kPa (7 a 20 psig)
 - Salida de aire caliente - 1500 pi³/min (CFM)
 - Motor - 1725 RPM, 1/5 HP
 - Entrada eléctrica - 120 V/60 Hz
 - Amperaje - 4.2
 - Encendido - de chispa electrónica directa (D.S.I.)
- * (para propósitos de ajustes de entrada)

ACCESORIOS

Adquiera accesorios y piezas mediante su distribuidor o centro de servicio más cercano. Si su distribuidor o centro de servicio le puede proveer un accesorio o pieza, póngase en contacto ya sea con su central de piezas más cercana (consulte la lista del folleto independiente sobre Centros de servicio autorizados) o llame a DESA Heating Products al teléfono 1-866-672-6040 para que lo orienten. También puede escribir a la dirección que se encuentra en la última página de este manual.

Conexión de combustible de gas: LPA4020

Adaptador de rosca invertida con válvula de exceso de flujo.

Termostato: HA1210

SERVICIO TÉCNICO

Es posible que tenga preguntas adicionales acerca de la instalación, el funcionamiento o la solución de problemas. Si es así, comuníquese con el Departamento de servicio técnico de DESA Heating Products al 1-866-672-6040. Al llamar, tenga a la mano los números de modelo y serie del calentador.

También puede visitar el sitio web de servicios técnicos de DESA Heating Products en www.desatech.com.

DIAGRAMAS DE CABLEADO

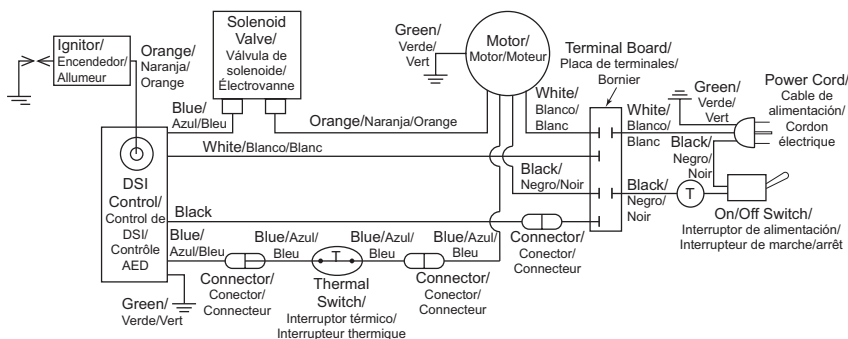


Figura 10 - Diagrama de cableado

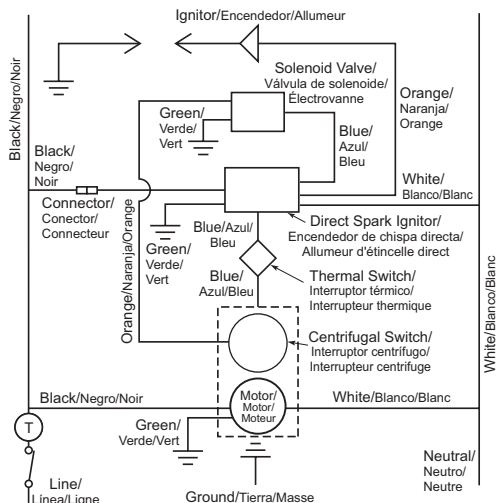


Figura 11 - Diagrama eléctrico elemental

PIEZAS DE REPUESTO

⚠ ADVERTENCIA: Use sólo piezas de repuesto originales. Este calentador debe usar piezas diseñadas específicamente. No las sustituya ni use piezas genéricas. El uso de piezas de repuesto inadecuadas puede ocasionar lesiones graves o fatales. Esto también protegerá la cobertura de su garantía para piezas reemplazadas bajo garantía.

PIEZAS CON GARANTÍA

Comuníquese con los distribuidores autorizados de este producto. Si ellos no le pueden proveer las refacciones originales, póngase en contacto con la central de piezas más cercana o llame al departamento de servicio técnico

de DESA Heating Products al teléfono 1-866-672-6040.

Cuando llame a DESA Heating Products, tenga listo:

- su nombre
- su dirección
- los números de modelo y de serie del calentador
- cómo se presentó el mal funcionamiento de su calentador
- la fecha de compra

En la mayoría de los casos, le pediremos que devuelva la pieza a la fábrica.

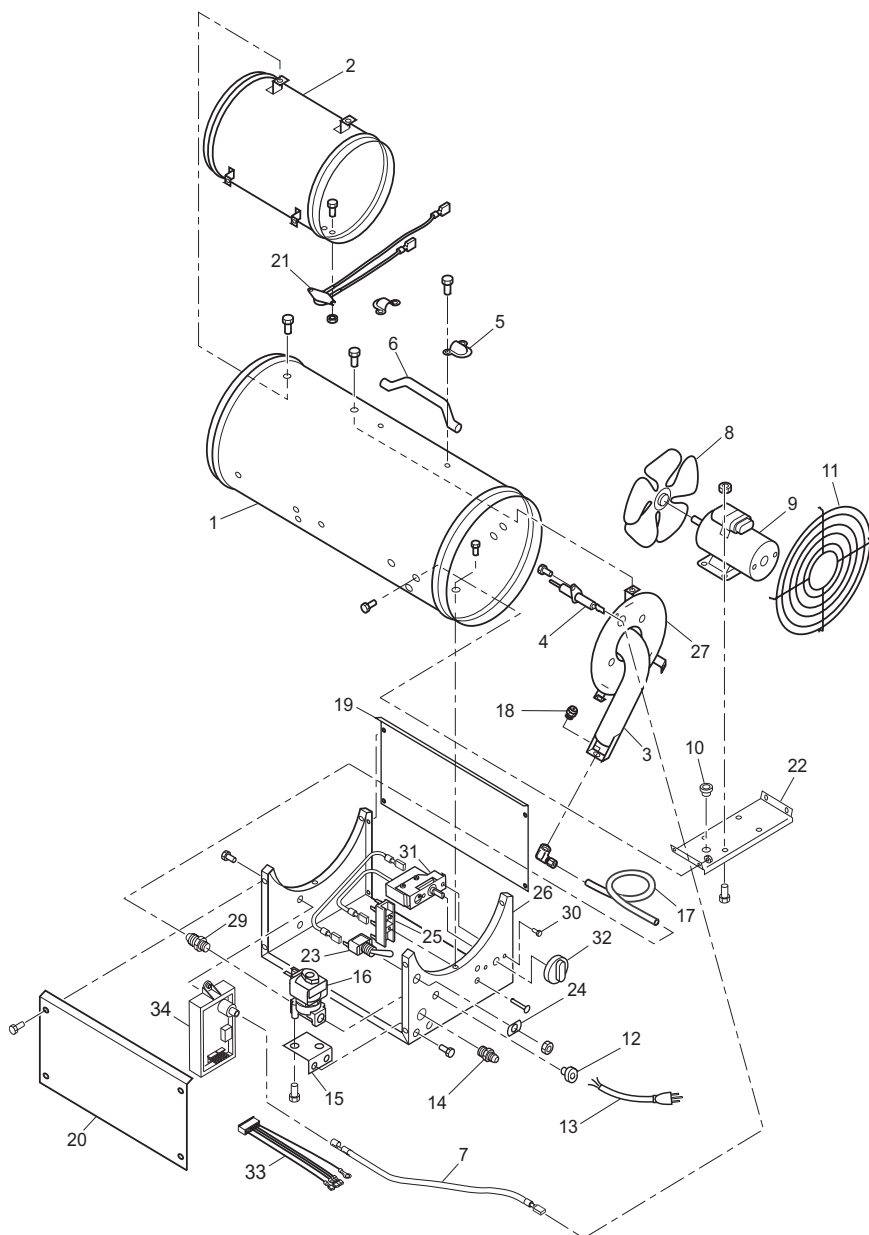
PIEZAS SIN GARANTÍA

Comuníquese con los distribuidores autorizados de este producto. Si ellos no le pueden proveer las refacciones originales, póngase en contacto con la central de piezas más cercana o llame a DESA Heating Products al teléfono 1-866-672-6040 para que le orienten. Cuando llame a DESA Heating Products, tenga listo:

- el número de modelo del calentador
- el número de la pieza de repuesto

CLASIFICACIÓN ILUSTRADA DE PIEZAS

MODELOS BLP375AT, SBLP375AT Y 375-F



Nota: Los tornillos son del tipo estándar de ferretería.

LISTA DE PIEZAS

Esta lista contiene las piezas reemplazables que el calentador utiliza. Al hacer un pedido de piezas, siga las instrucciones listadas en *Piezas de repuesto* en la página 9 de este manual.

MODELOS BLP375AT, SBLP375AT Y 375-F

NÚMERO			
Nº	DE PARTE	DESCRIPCIÓN	CANT.
1	097844-02	Ensamblaje de la cubierta exterior (BLP375AT)	1
	097844-04	Ensamblaje de la cubierta exterior (SBLP375AT)	1
	097844-05	Ensamblaje de la cubierta exterior (375-F)	1
2	**	Ensamblaje de la cámara de combustión	1
3	**	Ensamblaje del quemador	1
4	097805-01	Encendedor	1
5	097918-01	Cornamusa	2
6	097917-01	Manija	1
7	097806-02	Cable del encendedor	1
8	097811-01	Ventilador	1
9	097802-01	Motor	1
10	M50104-02	Buje corto	1
11	097838-02	Resguardo del ventilador	1
12	M11143-1	Buje de atenuación de deformaciones	1
13	098219-17	Ensamblaje de cable	1
14	097809-01	Niple macho	1
15	097828-01	SopORTE del solenoide	1
16	098201-01	Válvula de solenoide	1
17	100145-01	Tubo de combustible	1
18	099679-01	Boquilla	1
19	097833-04	Cubierta lateral	1
20	097833-03	Cubierta lateral	1
21	101732-03	Paquete de interruptor térmico	1
22	097829-02	Montaje del motor	1
23	098226-01	Interruptor de alimentación	1
24	*	Placa indicadora	1
25	099125-01	Tablero de terminales	1
26	100408-03	Base	1
27	097848-01	Ensamblaje de la placa posterior	1
28	100146-01	Conexión de codo	1
29	098827-01	Niple de compresión	1
30	M10908-1	Tornillo hexagonal TPG "F" 6-32 x 0.25	2
31	097657-03	Termostato	1
32	104905-01	Perilla del termostato	1
33	110267-01	Árnés de cable de encendido de DSI (sólo 2003-45)	1
34	110287-01	Número de control de DSI 2003-45	1
PIEZAS DISPONIBLES - (NO SE MUESTRAN)			
	M9900-170	Ensamblaje de cables (sólo 2003-45)	1
	079010-36	Ensamblaje de cables (sólo 2003-45)	1
	102971-02	Etiqueta adhesiva de cableado (sólo 2003-45)	1
	102971-01	Etiqueta adhesiva de cableado (sólo 2003-19)	1
	103021-03	Etiqueta adhesiva de termostato	1
	103017-05	Etiqueta adhesiva de información general	1
	097650-01	Etiqueta adhesiva de la marca (Master)	2
	113858-05	Etiqueta adhesiva de la marca (Universal)	2
	111632-15	Etiqueta adhesiva de datos del modelo	1
	099504-08	Etiqueta adhesiva de advertencia	1
	100865-09	Etiqueta adhesiva de funcionamiento	1
	LPA2020	Regulador	1
	LPA3030	Ensamblaje de regulador y manguera	1
	097916-01	Deflector	1

* Ya no está disponible ** No es una pieza de reemplazo en el sitio

GARANTÍA Y SERVICIO DE REPARACIÓN

GUARDE ESTA GARANTÍA

Modelo _____

N.º de serie _____

Fecha de compra _____

GARANTÍA LIMITADA PARA PRODUCTOS NUEVOS Y REACONDICIONADOS DE FÁBRICA

Productos nuevos: DESA Heating Products garantiza este calentador y cualquiera de las piezas incluidas contra cualquier defecto de materiales y mano de obra durante un (1) año a partir de la fecha de compra, siempre y cuando se haya operado y haya recibido mantenimiento según las instrucciones del fabricante. Estas garantías se extienden solamente al comprador minorista original, cuando se tiene un comprobante de compra.

Calentadores reacondicionados de fábrica: DESA Heating Products garantiza este calentador reacondicionado de fábrica y cualquiera de las piezas incluidas contra cualquier defecto de materiales y mano de obra durante treinta (30) días a partir de la fecha de compra, siempre y cuando se haya operado y haya recibido mantenimiento según las instrucciones del fabricante. Estas garantías se extienden solamente al comprador minorista original, cuando se tiene un comprobante de compra.

Estas garantías sólo cubren el costo de las piezas y la mano de obra requeridas para restaurar el producto a una condición de operación correcta. Los costos de transporte e indirectos relacionados con las reparaciones bajo garantía no son reembolsables al amparo de la misma.

El servicio de garantía está disponible sólo a través de distribuidores y centros de servicio autorizados.

Esta garantía no cubre defectos ocasionados por mal uso, abuso, negligencia, accidentes, falta de mantenimiento adecuado, desgaste normal, alteraciones, modificaciones, manipulación, combustibles contaminados, reparaciones con piezas inadecuadas o reparaciones realizadas por personas ajenas a los distribuidores o centros de servicio autorizados. El mantenimiento de rutina es responsabilidad del propietario.

ESTA GARANTÍA EXPRESA SE OTORGA EN LUGAR DE CUALQUIER OTRA GARANTÍA. YA SEA EXPRESA O IMPLÍCITA, INCLUYENDO GARANTÍAS DE APROVECHAMIENTO Y APETITUD PARA UN PROPÓSITO EN PARTICULAR.

DESA Heating Products no asume ninguna responsabilidad por daños y perjuicios indirectos, incidentales o consecuentes. Algunos estados no permiten la exclusión o limitación de daños y perjuicios incidentales o consecuentes, o es posible que las exclusiones no sean aplicables a usted. Esta garantía limitada le otorga derechos legales específicos y es posible que usted tenga también otros derechos que varíen de un estado a otro.

Nos reservamos el derecho de modificar estas especificaciones en cualquier momento sin previo aviso. La única garantía aplicable es nuestra garantía normal por escrito. No otorgamos ninguna otra garantía, expresa o implícita.

SERVICIO DE GARANTÍA

Si su calentador requiere servicio, regrese al centro de servicio autorizado más cercano. Se debe presentar una prueba de compra con el calentador. El calentador será inspeccionado. Un defecto puede ser ocasionado por materiales o mano de obra defectuosos. Si es así, DESA Heating Products reparará o reemplazará el calentador sin ningún cargo.

SERVICIO DE REPARACIÓN

Devuelva su calentador al centro de servicio autorizado más cercano. Las reparaciones no cubiertas por la garantía se cobrarán a los precios regulares. Cada centro de servicio tiene un funcionamiento y un propietario independientes. Nos reservamos el derecho de modificar estas especificaciones en cualquier momento sin previo aviso. Cuando nos escriba, incluya siempre el número de modelo y el número de serie. Para mayor información, escriba a:

DESA[™]
INDOOR/OUTDOOR PRODUCTS

2701 Industrial Drive

P.O. Box 90004

Bowling Green, KY 42102-9004, EE.UU.

DESA[™]
INDUSTRIES OF CANADA, INC.

2220 Argentinia Road, Unit #4

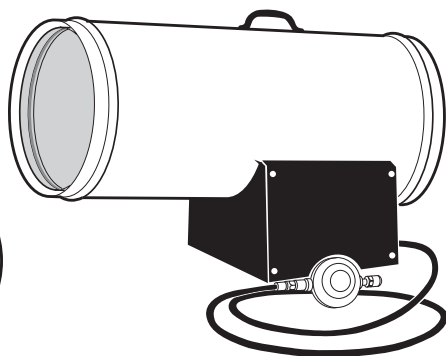
Mississauga, Ontario L5N2K7

905-826-8010

DESA™

INDOOR/OUTDOOR PRODUCTS

APPAREIL DE CHAUFFAGE À AIR FORCÉ DE CHANTIER AU GAZ PROPANE OU GPL MANUEL D'UTILISATION



MODÈLES BLP375AT, SBLP375AT ET 375-F
225 000 - 375 000 BTU/h avec thermostat intégré de série AT

IMPORTANT : lisez et comprenez ce manuel avant d'assembler, d'allumer ou de réparer l'appareil de chauffage. Une mauvaise utilisation de l'appareil de chauffage peut causer des blessures graves. Conservez ce manuel pour référence future.

⚠ AVERTISSEMENT D'ORDRE GÉNÉRAL : tout manquement aux précautions et aux instructions fournies avec cet appareil de chauffage peut causer la mort, des blessures corporelles graves ainsi que la perte de biens et des dommages causés par les risques associés au feu, à une explosion, aux brûlures, à l'asphyxie, à l'empoisonnement au monoxyde de carbone et aux chocs électriques.

Seuls les individus qui comprennent et qui respectent ces instructions peuvent utiliser ou réparer cet appareil de chauffage.

Si vous avez besoin d'assistance ou de renseignements concernant l'appareil de chauffage tels que le guide d'instructions, les étiquettes, etc. Communiquez avec le fabricant.

**Conservez ce manuel pour consultation future.
Pour plus de détails, visitez le site www.desatech.com**

Download from www.Somanuals.com. All Manuals Search And Download.

TABLE DES MATIÈRES

Information relative à la sécurité	2	Procédures d'entretien	7
Identification du produit	3	Publications pour le service	8
Déballage	3	Spécifications	8
Théorie de fonctionnement	4	Accessoires	8
Alimentation en propane	4	Service technique	8
Ventilation	4	Diagrammes de câblage	9
Installation	5	Pièces de rechange	9
Fonctionnement	5	Vue détaillée et liste des pièces	10
Entreposage	6	Service de garantie et de réparation	Dos
Entretien	6		

INFORMATION RELATIVE À LA SÉCURITÉ

⚠ AVERTISSEMENT : cet appareil contient ou produit des produits chimiques déterminés par l'État de Californie comme cancérigènes et pouvant causer des malformations congénitales et d'autres troubles liés à la reproduction.

⚠ AVERTISSEMENT : danger d'incendie, de brûlure, d'inhalation et d'explosion. Gardez les produits combustibles solides comme les matériaux de construction, le papier et les cartons à une distance sûre de l'appareil de chauffage tel que recommandé dans les instructions. N'utilisez jamais l'appareil de chauffage dans des espaces susceptibles de contenir des combustibles volatils ou atmosphériques ou des produits tels que de l'essence, des diluants, du solvant à peinture, des particules de poussières ou des produits chimiques inconnus.

⚠ AVERTISSEMENT : cet appareil n'est pas conçu pour usage domestique ou dans les véhicules de camping.

L'appareil de chauffage est conçu et approuvé pour être utilisé en tant qu'appareil de chauffage de chantier conformément à la norme ANSI Z83.7•CGA 2.14-2000 Appareil de chauffage de chantier. La fonction des appareils de chauffage de chantier est la production temporaire de chaleur pour des édifices en construction,

ou en cours de modification ou de réparation. Utilisés correctement, ces appareils de chauffage représentent une source de chaleur économique et sûre. Les produits de combustion sont évacués dans l'espace qui est chauffé.

Nous ne pouvons pas prévoir toutes les utilisations possibles de nos appareils de chauffage. **Vérifiez auprès de votre responsable local de la sécurité-incendie si vous avez des questions relatives à l'utilisation de l'appareil de chauffage.**

D'autres normes régissent l'utilisation des gaz combustibles et des produits de chauffage pour des utilisations particulières. Les autorités locales peuvent vous conseiller à propos de ces normes.

Empoisonnement au monoxyde de carbone : certaines personnes sont plus sensibles au monoxyde de carbone que d'autres. Les premiers symptômes d'un empoisonnement au monoxyde de carbone ressemblent à la grippe avec des maux de tête, du vertige ou de la nausée. Si vous avez ces symptômes, il se pourrait que l'appareil de chauffage ne fonctionne pas bien. **Respirez tout de suite de l'air frais !** Faites réparer l'appareil de chauffage.

Propane ou GPL : le propane et le gaz de pétrole liquéfié n'ont pas d'odeur. Un produit odorant est ajouté au propane et au GPL. Cette odeur vous permet de détecter une fuite de propane ou de GPL. Cependant, cette odeur ajoutée au propane ou au GPL peut se dissiper. Du propane ou du GPL peuvent être présents même s'il n'y a pas d'odeur.

Lisez et comprenez tous les avertissements. Conservez ce manuel pour consultation future. Il vous permettra de faire fonctionner cet appareil de chauffage correctement et en toute sécurité.

1. Installez et utilisez l'appareil de chauffage avec précaution. Suivez toutes les lois et les codes locaux. En l'absence de codes ou de règlements locaux, consultez la *Norme pour l'emmagasinement et la manipulation du gaz de pétrole liquéfié (ANSI/NFPA58)* et le *Code d'installation du propane (CAN/CGA B149.2)*. Ces documents décrivent les précautions à prendre pour l'entreposage et la manutention du gaz propane.
2. N'utilisez que la tension et la fréquence électrique indiquées sur la plaque signalétique. Les connexions électriques et la prise de terre de l'appareil de chauffage doivent respecter le *Code national de l'électricité, ANSI/NFPA 70* ou le *Code canadien de l'électricité, partie 1*.

INFORMATION RELATIVE À LA SÉCURITÉ *Suite*

- Instructions de mise électrique à la terre : cet appareil est muni d'une fiche de terre à trois broches pour vous protéger des décharges électriques; il devrait être branché directement dans une rallonge ou prise de terre à trois fiches.
- Ce produit a été approuvé pour usage dans le Commonwealth du Massachusetts.
- Usage à l'intérieur seulement. Assurez une ventilation suffisante.
- Éloignez l'appareil de chauffage des courants d'air, du vent, des éclaboussures, de la pluie ou de l'eau ruisselante.
- Ne l'utilisez que dans des endroits bien aérés. Pour utiliser l'appareil de chauffage, il doit y avoir une ouverture sur l'extérieur d'au moins 0,28 m² (3 pi²) pour chaque 105 500 kJ (100 000 BTU/h) de puissance.
- N'utilisez pas l'appareil de chauffage à l'extérieur ou dans des lieux habités.
- N'utilisez pas l'appareil de chauffage dans une chambre à coucher ou un salon.
- Ne placez pas de matériaux combustibles, d'essence, de solvant à peinture ou d'autres vapeurs ou liquides inflammables à proximité de l'appareil. La poussière est combustible. N'utilisez pas l'appareil de chauffage là où il y a beaucoup de poussière.
- Cet appareil de chauffage est équipé d'un thermostat. Il peut donc s'allumer à tout moment.
- Vérifiez l'appareil de chauffage avant chaque utilisation. N'utilisez pas d'appareil de chauffage endommagé.
- N'utilisez que du gaz propane ou de pétrole liquéfié composé pour le retrait de vapeur.
- Conservez les réservoirs de propane à moins de 38° C (100 °F).
- N'utilisez pas l'appareil de chauffage dans un sous-sol ou sous le niveau du sol. Les gaz propane et de pétrole liquéfié sont plus lourds que l'air. Si une fuite se manifeste, le gaz propane ou de pétrole liquéfié s'écoulera au niveau le plus bas possible.
- N'utilisez que le tuyau et le détendeur fournis avec l'appareil de chauffage.
- Avant chaque utilisation de l'appareil de chauffage, vérifiez que le tuyau n'est pas endommagé. S'il est très usé ou fendu, remplacez le tuyau par le type de tuyau spécifié par le fabricant avant d'utiliser l'appareil de chauffage.
- Ne modifiez pas l'appareil de chauffage. Maintenez l'appareil de chauffage dans son état initial.
- N'utilisez pas l'appareil de chauffage s'il a été modifié.
- Placez l'appareil de chauffage à au moins 1,8 m (6 pi) des réservoirs de propane ou de GPL. Ne pointez pas la sortie d'air chaud de l'appareil de chauffage en direction des réservoirs de propane ou de GPL à moins de 6,1 m (20 pi) de ces derniers.
- Distances minimales entre l'appareil de chauffage et les combustibles : sortie : 2,4 m (8 pi), côtés : 0,6 m (2 pi), dessus : 1,8 m (6 pi), arrière : 0,6 m (2 pi)
- Placez l'appareil de chauffage sur une surface stable et de niveau si l'appareil est chaud ou en fonctionnement.

- Ne laissez pas les enfants et les animaux s'approcher de l'appareil de chauffage.
- Lorsque l'appareil de chauffage n'est pas utilisé, fermez la vanne d'alimentation en propane ou GPL et débranchez l'appareil.
- Ne bloquez jamais l'entrée d'air (à l'arrière) ou la sortie d'air (à l'avant) de l'appareil de chauffage.
- Ne déplacez, ne manipulez et ne réparez jamais un appareil de chauffage chaud, en fonctionnement ou branché.
- N'installez jamais de tuyauterie de ventilation à l'avant ou à l'arrière de l'appareil de chauffage.
- Utilisez seulement des pièces de rechange d'origine. Cet appareil de chauffage utilise des pièces conçues spécifiquement pour lui. N'utilisez pas de substituts ou de pièces génériques. L'utilisation de pièces de rechange inappropriées peut causer des blessures graves ou fatales.
- N'ajustez pas le détendeur en dessous de 48 kPa (7 lb/po²) ou au dessus de 138 kPa (20 lb/po²).

IDENTIFICATION DU PRODUIT

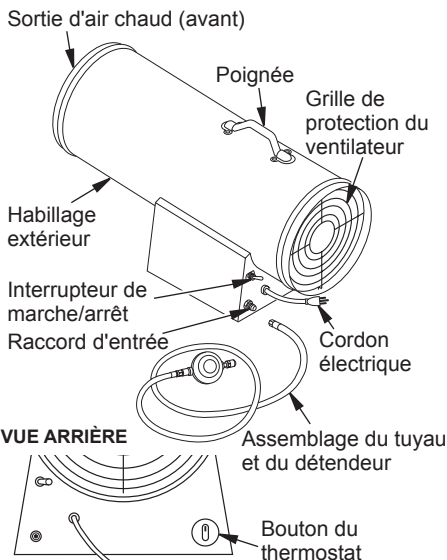


Figure 1 - Modèles à 375 000 BTU/H

DÉBALLAGE

- Enlevez tout matériau d'emballage appliqué sur l'appareil de chauffage pour son expédition. Conservez le bouchon en plastique (sur le raccord d'entrée et l'assemblage du tuyau et du détendeur) pour l'entreposage.
- Retirez toutes les pièces de l'emballage.
- Inspectez toutes les pièces pour voir si elles ont été endommagées pendant le transport. Si l'appareil de chauffage est endommagé, informez-en au plus vite le revendeur où vous l'avez acheté.

THÉORIE DE FONCTIONNEMENT

Système d'alimentation en combustible : l'assemblage de tuyau et de détendeur est relié à l'alimentation en gaz propane. Le gaz propane passe par l'électrovanne et sort par l'éjecteur.

Système d'admission d'air : le moteur fait tourner le ventilateur. Le ventilateur pousse l'air à l'intérieur et autour de la chambre de combustion. L'air est chauffé et fournit un courant d'air propre et chaud.

Le système d'allumage : l'allumeur à étincelle directe (AED) envoie de la tension à l'allumeur. L'allumeur brûle le combustible et le mélange d'air.

Système de contrôle de sécurité : ce système provoque l'arrêt de l'appareil de chauffage en cas d'extinction de la flamme. Ce moteur continuera à fonctionner, mais aucune chaleur ne sera produite.

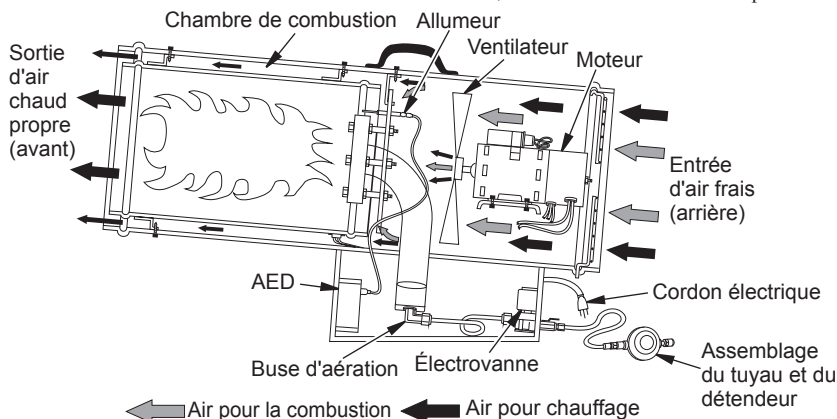


Figure 2 - Vue opérationnelle en coupe transversale

ALIMENTATION EN PROPANE

Le gaz propane ou le GPL, et les réservoirs de propane ou de GPL doivent être fournis par l'utilisateur.

N'utilisez cet appareil de chauffage qu'avec un système d'approvisionnement à retrait de vapeurs de propane ou de GPL. Consultez le chapitre 5 de la *Norme pour l'emmagasinage et la manipulation du gaz de pétrole liquéfié, ANSI/NFPA 58* et le *Code de installation du propane, CAN/CGA B149.2*. Votre bibliothèque ou votre service d'incendie ont ces publications.

La quantité de gaz propane ou GPL utilisable dans les réservoirs de propane ou de GPL varie. Deux facteurs influencent cette quantité :

1. La quantité de gaz propane ou de GPL contenue dans les réservoirs
2. La température des réservoirs

Le tableau ci-dessous indique le nombre de réservoirs de 45 kg (100 lb) à utiliser pour faire fonctionner cet appareil de chauffage.

N'utilisez pas cet appareil avec un réservoir de moins de 45 kg (100 lb).

Température ambiante	Nombre de réservoirs
5 °C (40 °F) et plus de	2
En-dessous de 5°C (40°F)	(utilisez un réservoir plus grand)

Moins de gaz se vaporise à basse température. Il se peut que vous ayez besoin d'un réservoir plus grand par température froide. Votre fournisseur de gaz propane ou GPL local vous aidera à choisir le système d'approvisionnement qui vous convient. La température ambiante minimale nominale de ces appareils de chauffage est -7 °C (-20 °F).

VENTILATION

AVERTISSEMENT : respectez les spécifications minimales en matière de ventilation d'air frais de l'extérieur. Si aucune ventilation d'air frais de l'extérieur n'est fournie, un empoisonnement au monoxyde de carbone peut se produire. Il doit y avoir une entrée d'air frais de l'extérieur adéquate pour utiliser l'appareil de chauffage.

Il doit y avoir une ouverture sur l'extérieur d'au moins 0,28 m² (3 pi²) pour chaque 105 500 kJ/h (100 000 BTU/h) de puissance. Cet appareil de chauffage nécessite une ouverture d'air extérieur d'au moins 1,05 m² (11,25 pi²). Fournissez davantage d'air frais si plus d'un appareil de chauffage est utilisé.

INSTALLATION

⚠ AVERTISSEMENT : lisez et comprenez les avertissements de la section *Information relative à la sécurité*, page 2. Ils sont requis pour faire fonctionner cet appareil de chauffage sans danger. Respectez tous les codes locaux lors de l'utilisation de cet appareil de chauffage.

⚠ AVERTISSEMENT : testez toutes les conduites de gaz et les connexions pour détecter les fuites après l'installation ou la révision. N'utilisez jamais de flamme nue pour rechercher une fuite. Appliquez une solution de savon liquide et d'eau sur tous les joints. La présence de bulles indique une fuite. Réparez toutes les fuites immédiatement.

1. Fournissez le système d'approvisionnement en propane (voir la section *Alimentation en propane et GPL*, page 4).
2. Branchez le raccord PP de l'assemblage du tuyau et du détendeur aux réservoirs de propane ou GPL. Tournez le raccord PP dans le sens inverse des aiguilles d'une montre dans le filetage du réservoir. Resserrez fermement avec une clef. **IMPORTANT** : fermez le détendeur avec le bouton de réglage noir vers le bas. Ceci le protégera de l'eau.
3. Raccordez le tuyau au raccord d'entrée. Resserrez fermement avec une clef. **IMPORTANT** : utilisez des tuyaux et des conduites supplémentaires si nécessaire. Installez-les entre l'assemblage du tuyau et du détendeur et le réservoir de propane ou GPL. Vous devez utiliser le détendeur fourni avec l'appareil de chauffage.
4. Ouvrez lentement la vanne d'alimentation en propane ou GPL du ou des réservoirs de propane ou GPL. **Remarque** : si on ne l'ouvre pas lentement, la vanne de limitation de débit du réservoir de propane ou GPL coupera le gaz. Si ceci se produit, il se pourrait que vous entendiez un clic à l'intérieur de l'assemblage du détendeur. Pour réamorcer la vanne de limitation de débit, fermez la vanne d'alimentation en propane ou GPL et rouvrez-la plus lentement.
5. Ajustez le détendeur entre 48 kPa (7 lb/po²) et 138 kPa (20 lb/po²). **Remarque** : un réglage plus élevé du détendeur permettra à l'appareil de chauffage de produire plus de chaleur.

6. Vérifiez les fuites à chaque branchement.
7. Fermez le robinet d'alimentation en propane ou GPL.

⚠ AVERTISSEMENT : Ne pas ajuster le détendeur en dessous de 7 psi ou au dessus de 20 psi. L'appareil de chauffage peut ne pas fonctionner correctement.

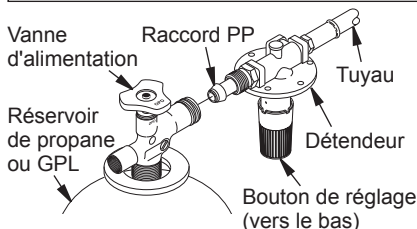


Figure 3 - Détendeur avec bouton de réglage dirigé vers le bas

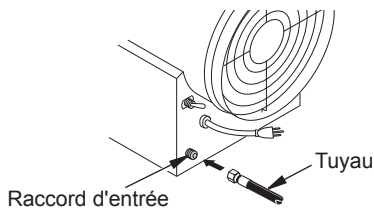


Figure 4 - Tuyau et raccord d'entrée

FONCTIONNEMENT

⚠ AVERTISSEMENT : lisez et comprenez les avertissements de la section *Information relative à la sécurité*, page 2. Ils sont requis pour faire fonctionner cet appareil de chauffage sans danger. Respectez tous les codes locaux lors de l'utilisation de cet appareil de chauffage.

POUR ALLUMER L'APPAREIL DE CHAUFFAGE

1. Suivez toutes les consignes d'installation, de ventilation et de sécurité.
2. Placez l'appareil de chauffage sur une surface stable et de niveau. Assurez-vous qu'il n'y a pas de courants d'air forts à l'avant ou à l'arrière de l'appareil de chauffage.
3. Branchez le cordon électrique de l'appareil de chauffage dans une rallonge de mise à la terre à trois broches. La rallonge doit être au moins de 1,83 m (6 pi). Elle doit porter l'homologation UL.

FONCTIONNEMENT

Suite

Exigences des dimensions de la rallonge électrique

Pour plus de 15 m (50 pi), utilisez une rallonge de calibre 18 AWG.

Entre 15,5 et 30,5 m (51 et 100 pi), utilisez une rallonge de calibre 16 AWG.

Entre 30,78 et 61 m (101 et 200 pi), utilisez une rallonge de calibre 14 AWG.

4. Branchez la rallonge électrique dans une prise de terre à trois branches de 120 volt/60 hertz.
5. Ouvrez lentement la vanne d'alimentation en propane ou GPL du ou des réservoirs de propane ou GPL. **Remarque** : si on ne l'ouvre pas lentement, la vanne de limitation de débit du réservoir de propane ou GPL peut couper le gaz. Si ceci se produit, Il se pourrait que vous entendiez un clic à l'intérieur de l'assemblage du détendeur. Pour réamorcer la vanne de limitation de débit, fermez la vanne d'alimentation en propane ou GPL et rouvrez-la plus lentement.
6. Assurez-vous que le détendeur est réglé entre 48 kPa (7 lb/po²) et 138 kPa (20 lb/po²). **Remarque** : un réglage plus élevé du détendeur permettra à l'appareil de chauffage de produire plus de chaleur.
7. Mettez l'interrupteur de marche/arrêt sur marche. Ajuster le thermostat au réglage désiré. Si l'appareil de chauffage ne s'allume pas, les paramètres du thermostat peuvent être trop bas. Tournez le bouton du thermostat à une position plus élevée pour allumer l'appareil de chauffage. **Remarque** : si l'appareil de chauffage ne s'allume pas lors de cette tentative, mettre l'interrupteur de marche/arrêt sur OFF (arrêt). Attendez dix secondes que le contrôle de sécurité ait fini de se réinitialiser, puis essayez à nouveau.

POUR ARRÊTER L'APPAREIL DE CHAUFFAGE

1. Fermez complètement le robinet d'alimentation en propane ou GPL des réservoirs de propane.
2. Attendez quelques secondes. L'appareil de chauffage brûlera le gaz qui reste dans les tuyaux d'alimentation.
3. Mettez l'interrupteur de marche/arrêt sur arrêt.
4. Débranchez l'appareil de chauffage.

POUR RALLUMER L'APPAREIL DE CHAUFFAGE

Si le contrôle de sécurité arrête le débit du gaz vers l'appareil de chauffage, le moteur continuera de fonctionner.

1. Mettez l'interrupteur de marche/arrêt sur arrêt.
2. Attendez dix secondes puis tournez l'interrupteur de marche/arrêt à la position ON (marche).

Si l'appareil de chauffage ne se rallume pas

1. Vérifiez les vannes manuelles (s'il y en a) et les vannes d'alimentation (sur le réservoir de propane ou GPL). Assurez-vous qu'elles sont ouvertes.
2. Vérifiez le niveau de combustible dans les

réservoirs de propane ou GPL. Si le niveau du combustible est trop bas, contactez votre compagnie de propane ou de GPL locale.

Si l'appareil de chauffage ne s'allume toujours pas, contactez votre centre de service local.

ENTREPOSAGE



ATTENTION : débranchez l'appareil de chauffage des réservoirs de propane.

1. Entrez les réservoirs de propane ou GPL avec les précautions de sécurité nécessaires. Consultez le chapitre 5 de la *Norme pour l'emmagasinement et la manipulation du gaz de pétrole liquéfié, ANSI/NFPA 58* et le *Code d'installation du propane, CAN/CGA B149.2*. Respectez tous les codes locaux.
2. Revissez les bouchons en plastique sur les filetages des raccords d'entrée en laiton et de l'assemblage du tuyau et du détendeur.
3. Entrez l'appareil de chauffage dans un endroit sec, propre et sans danger. N'entrez pas l'assemblage du tuyau et du détendeur à l'intérieur de la chambre de combustion de l'appareil de chauffage.
4. Avant d'utiliser un appareil de chauffage qui a été entreposé, vérifiez toujours l'intérieur de l'appareil. Des insectes et de petits animaux peuvent avoir introduit des corps étrangers dans l'appareil de chauffage. Enlevez les produits combustibles et les corps étrangers qui se trouvent dans l'appareil de chauffage.

ENTRETIEN



AVERTISSEMENT : ne réparez jamais l'appareil de chauffage lorsqu'il est branché, connecté à l'alimentation de gaz, en marche ou brûlant. Des brûlures et des chocs électriques graves peuvent se produire.

1. Gardez l'appareil de chauffage propre. Nettoyez-le une fois l'an et retirez la poussière et les débris quand c'est nécessaire. Si l'appareil de chauffage est sale ou poussiéreux, nettoyez-le avec un chiffon humide.
2. Inspectez l'appareil de chauffage avant chaque utilisation. Vérifiez que les branchements ne fument pas. Appliquez une solution de savon liquide et d'eau aux raccords. La présence de bulles indique une fuite. Réparez toutes les fuites immédiatement.
3. Inspectez l'assemblage du tuyau et du détendeur avant chaque utilisation. Si le tuyau est très usé ou fendu, remplacez-le.
4. Faites inspecter l'appareil de chauffage une fois l'an par une entreprise de service qualifiée.
5. Enlevez les produits combustibles et les corps étrangers qui se trouvent dans l'appareil de chauffage.

PROCÉDURES D'ENTRETIEN

⚠ AVERTISSEMENT : ne réparez jamais l'appareil de chauffage lorsqu'il est branché, connecté à l'alimentation de gaz, en marche ou brûlant. Des brûlures et des chocs électriques graves peuvent se produire.

NETTOYAGE DU VENTILATEUR

Nettoyez le ventilateur toutes les 500 heures de fonctionnement ou au besoin.

1. Retirez les vis du panneau latéral avec un tourne-écrou de 5/16 po.
2. Retirez le panneau latéral.
3. Détachez les cinq fils du moteur des pièces sous l'habillage de l'appareil de chauffage. Prenez garde de ne détacher que les fils venant du moteur. Les cinq fils du moteur sont :
 - fil blanc—au bornier
 - fil noir—au bornier
 - fil bleu—au fil de l'interrupteur thermique
 - fil orange—à l'électrovanne
 - fil vert—à la vis de mise à la terre sur l'habillage
4. Retirez la grille de protection du ventilateur de l'arrière de l'appareil de chauffage.
5. Essayez d'atteindre l'arrière de l'habillage de l'appareil de chauffage. Faites passer délicatement les fils du moteur à travers l'orifice du fond de l'habillage. *Remarque* : retirez les fils du trou un par un.
6. Retirez les écrous et les boulons de montage qui relient le montage du moteur à l'habillage. Utilisez un tourne-écrou de 3/8 po et une clef de 7/16 po.
7. Retirez délicatement le moteur et le ventilateur de l'habillage. **IMPORTANT** : prenez garde de ne pas endommager le ventilateur. Ne déposez pas le moteur et le ventilateur de façon à faire reposer leur poids sur ce dernier. Cela pourrait endommager l'angle des pales du ventilateur.
8. Retournez le moteur et le ventilateur. Placez le moteur et le ventilateur dans l'habillage par l'arrière. *Remarque* : le moteur ira dans l'habillage en premier (voir figure 7).
9. Alignez les trous de montage à l'arrière dans l'habillage avec le premier trou sur chaque côté du montage du moteur (voir figure 7). *Remarque* : quand les trous sont alignés, le ventilateur doit être en dehors de l'habillage.
10. En tenant le boulon de montage, passez votre main délicatement à travers les pales du ventilateur vers l'arrière de l'appareil de chauffage. Prenez garde de ne pas endommager l'angle des pales. Insérez le boulon dans le montage du moteur et l'habillage. Avec l'autre main libre, serrez fermement l'écrou. Répétez le processus pour les autres trous de montage.

11. Utilisez une clef hexagonale de 1/8 po pour desserrer la vis d'arrêt qui maintient le ventilateur à l'arbre du moteur (voir figure 8).
12. Glissez le ventilateur pour le libérer de l'arbre moteur.
13. Nettoyez le ventilateur à l'aide d'un linge doux humecté avec du kérosène ou du diluant.

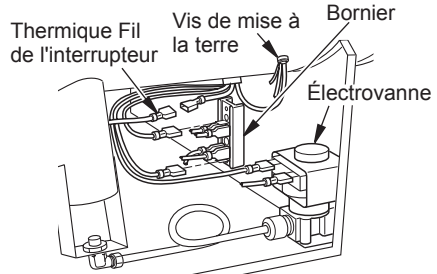


Figure 5 - Emplacement des fils du moteur

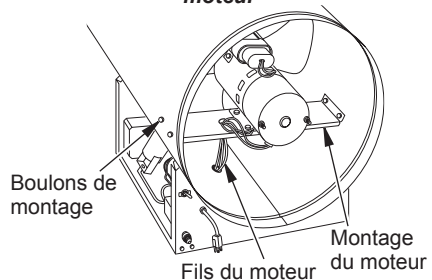


Figure 6 - Emplacement du ventilateur et du moteur

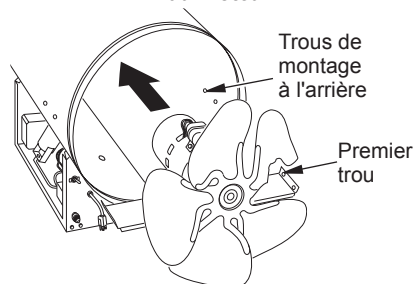


Figure 7 - Le ventilateur et le moteur retournés

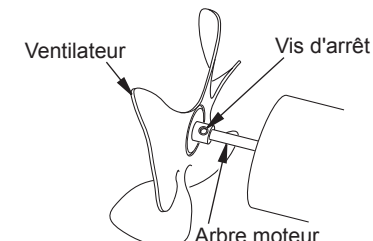


Figure 8 - Emplacement du ventilateur, de l'arbre moteur et des vis d'arrêt

PROCÉDURES D'ENTRETIEN *Suite*

14. Séchez le ventilateur complètement.
15. Remplacez le ventilateur sur l'arbre moteur. Assurez-vous que la vis d'arrêt touche l'arrière de la surface plane de l'arbre du moteur (voir figure 9).
16. Placez la vis d'arrêt sur le côté plat de l'arbre. Serrez bien la vis d'arrêt (2,8-3,50 kg/cm²).
17. Retirez les deux écrous et boulons qui maintiennent le montage du moteur à l'habillage.
18. Retirez le moteur et le ventilateur de l'habillage. Tournez le moteur et le ventilateur l'un autour de l'autre. Remettez délicatement l'habillage en place. **Remarque** : le ventilateur ira dans l'habillage en premier.
19. Alignez les trous de montage dans l'habillage avec les trous sur le montage du moteur. Remplacez quatre boulons à travers l'habillage et le montage du moteur. Insérez les boulons de l'extérieur de l'appareil de chauffage. Resserrez les écrous fermement.
20. Acheminez les fils du moteur à travers l'orifice au fond de l'habillage (voir figure 6, page 7).
21. Connectez les fils du moteur comme ce qui suit (voir figure 5, page 7):
 - fil blanc—au bornier**Remarque** : attachez au connecteur libre sur la partie blanche du fil blanc du bornier.
 - fil noir—au bornier**Remarque** : attachez au connecteur libre sur la partie noire du fil blanc du bornier.
 - fil bleu—au fil de l'interrupteur thermique
 - fil orange—à l'électrovanne
 - fil vert—au vis de mise à la terre sur l'habillage
22. Remettez le panneau latéral en place.
23. Remettez la grille de protection du ventilateur en place.

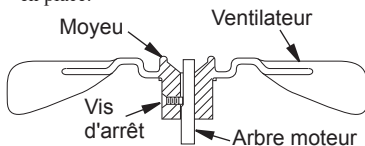


Figure 9 - Coupe transversale du ventilateur

PUBLICATIONS POUR LE SERVICE

Vous pouvez recevoir une liste des pièces avec illustrations gratuitement. Envoyez votre demande avec une enveloppe timbrée ayant votre adresse à DESA Heating Products (voir adresse au dos de la page). N'oubliez pas d'inclure le numéro de modèle de l'appareil de chauffage. Vous pouvez acheter un manuel de service pour cinq dollars. Écrivez votre chèque à l'ordre de DESA Heating Products.

SPÉCIFICATIONS

- Puissance de sortie - 225 000 à 375 000 (BTU/h)
 - Combustible - Vapeur de propane ou GPL Uniquement
 - Consommation de combustible
Litres/heure - 9,4 (2,5 gallons) Min/15 (4 gallons) Max
Kilos/Heure - 4,7 (10,4 lb) Min/7,9 (17,4 lb) Max
 - Pression à l'entrée du détendeur
Minimum* - 172 kPa (25 lb/po²)
Maximum - Pression du réservoir
 - Pression de la sortie du détendeur - entre 48 et 138 kPa (7 et 20 lb/po²)
 - Sortie d'air chaud - 1500 pi³/min (CFM)
 - Moteur - 1725 tours par minute, 1/5 CV
 - Entrée d'électricité - 120 V/60 Hz
 - Intensité du courant électrique - 4,2
 - Allumage - direct électronique Étincelle, D.S.I.
 - Poids
Appareil de chauffage - 18,6 kg (41 lbs)
Expédition - 21,8 kg (48 lbs)
- * (uniquement à des fins de réglage de l'entrée)

ACCESSOIRES

Achetez les accessoires et les pièces chez le revendeur ou au centre de service le plus proche de chez vous. Si le revendeur ou le centre de service ne peuvent pas vous fournir un accessoire ou une pièce de rechange, communiquez avec votre dépôt de pièces le plus proche (indiqué dans le livret des centres de service autorisés) ou appelez DESA Heating Products au 1-866-672-6040 pour plus de renseignements. Vous pouvez aussi nous écrire à l'adresse inscrite à l'arrière de ce manuel.

Raccord d'alimentation en gaz - LPA4020

Un adaptateur PP avec vanne de limitation de débit.

Thermostat : HA1210

SERVICE TECHNIQUE

Vous aurez peut-être d'autres questions concernant l'installation, le fonctionnement ou le dépannage. Si c'est le cas, communiquez avec le service technique de DESA Heating Products au 1-866-672-6040. Lorsque vous appelez, veuillez avoir les numéros de modèle et de série de votre appareil de chauffage sous la main.

Vous pouvez aussi visiter le site Web des services techniques de DESA Heating Products à l'adresse www.desatech.com.

DIAGRAMMES DE CÂBLAGE

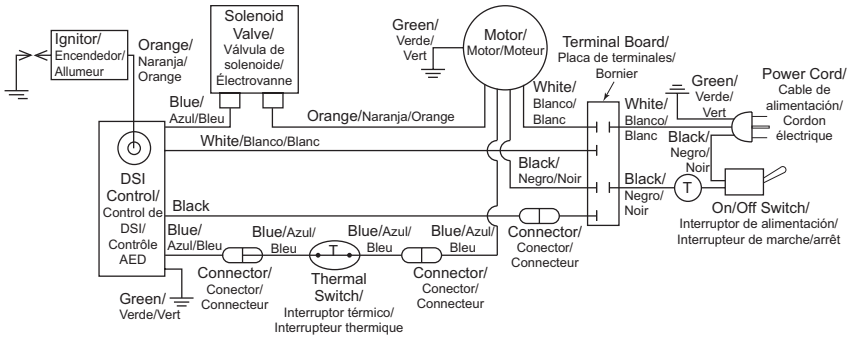


Figure 10 - Diagramme de câblage

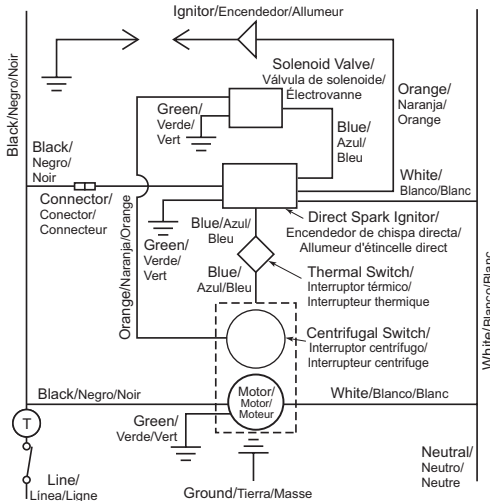


Figure 11 - Diagramme de l'échelle électrique

PIÈCES DE RECHANGE

AVERTISSEMENT : n'utilisez que des pièces de rechange DESA. Cet appareil de chauffage utilise des pièces conçues spécifiquement pour lui. N'utilisez pas de substituts ou de pièces génériques. L'utilisation de pièces de rechange inadéquates peut causer des blessures graves ou fatales. Ceci protégera également la garantie des pièces remplacées sous garantie.

PIÈCES SOUS GARANTIE

Communiquez avec un revendeur autorisé de ce produit. S'il ne peut pas vous fournir de pièces de rechange DESA d'origine, communiquez avec le dépôt de pièces le plus proche ou appelez le service technique de DESA Heating

Products au 1-866-672-6040. Lorsque vous appelez DESA Heating Products, ayez sous la main :

- votre nom
- votre adresse
- le modèle et le numéro de série de votre appareil de chauffage
- une description de la panne de l'appareil de chauffage
- la date de l'achat

En général, nous vous demandons de retourner la pièce à l'usine.

PIÈCES QUI NE SONT PAS SOUS GARANTIE

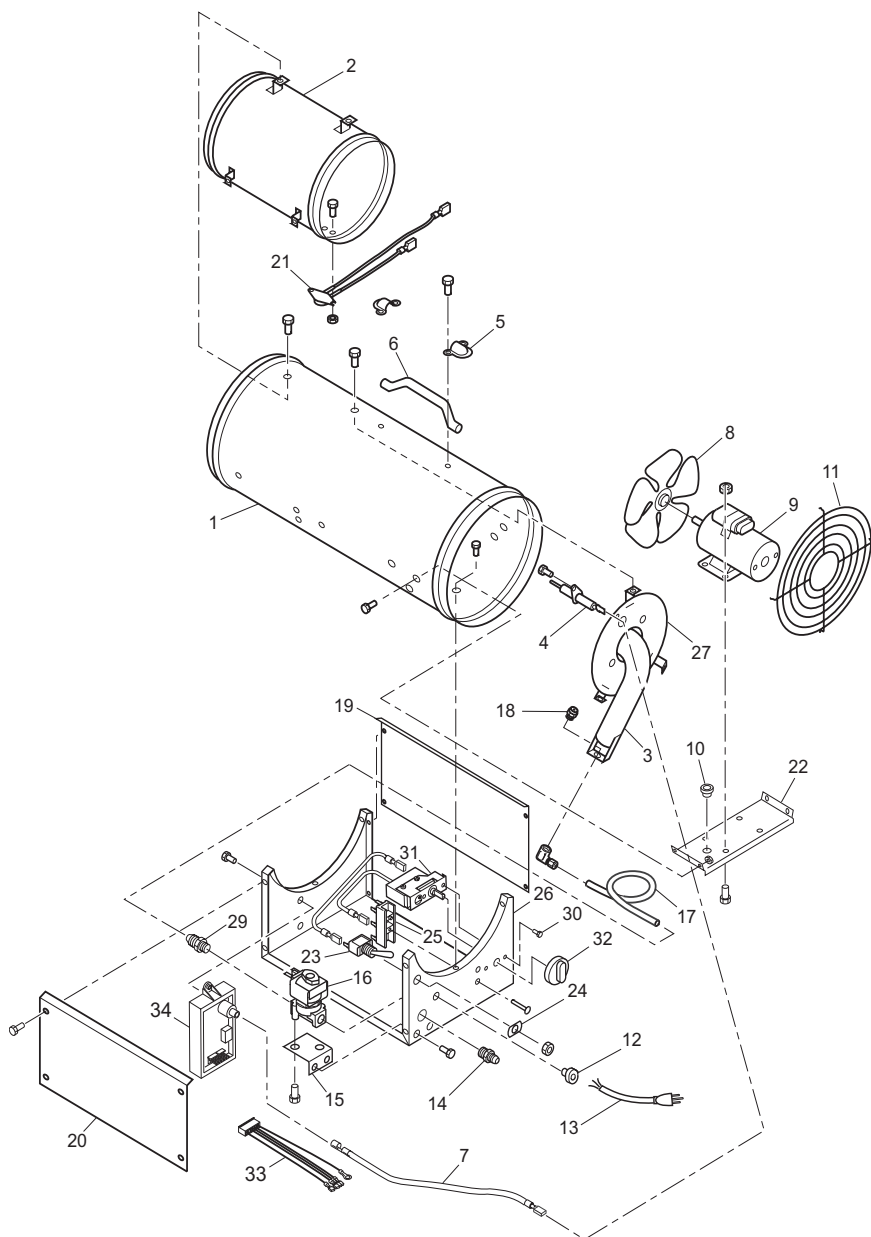
Communiquez avec un revendeur autorisé de ce produit. S'ils ne peuvent pas vous fournir de pièces de rechange DESA d'origine, communiquez avec le dépôt de pièces le plus proche ou appelez le service technique de DESA Heating

Products au 1-866-672-6040 pour des références. Lorsque vous appelez DESA Heating Products, ayez sous la main :

- le numéro du modèle de l'appareil de chauffage
- le numéro de la pièce de rechange

VUE DÉTAILLÉE DES PIÈCES

MODÈLES BLP375AT, SBLP375AT ET 375-F



Remarque : les vis sont de type standard

LISTE DES PIÈCES

Cette liste contient des pièces de rechange utilisées dans votre appareil de chauffage. Quand vous commandez des pièces, reportez-vous aux instructions de la section *Pièces de rechange*, à la page 9 de ce manuel.

MODÈLES BLP375AT, SBLP375AT ET 375-F

N°	N° de pièce	Description	Qté
1	097844-02	Assemblage de l'habillage (BLP375AT)	1
	097844-04	Assemblage de l'habillage (SBLP375AT)	1
	097844-05	Assemblage de l'habillage (375-F)	1
2	**	Assemblage de la chambre de combustion	1
3	**	Assemblage du brûleur	1
4	097805-01	Allumeur	1
5	097918-01	Enrouleur	2
6	097917-01	Poignée	1
7	097806-02	Câble de l'allumeur	1
8	097811-01	Ventilateur	1
9	097802-01	Moteur	1
10	M50104-02	Bague courte	1
11	097838-02	Grille de protection du ventilateur	1
12	M11143-1	Bride de cordon	1
13	098219-17	Assemblage de câbles	1
14	097809-01	Raccord mâle	1
15	097828-01	Support électromagnétique	1
16	098201-01	Électrovanne	1
17	100145-01	Conduit de combustible	1
18	099679-01	Buse d'aération	1
19	097833-04	Panneau latéral	1
20	097833-03	Panneau latéral	1
21	101732-03	Prêt-à-monter d'interrupteur thermique	1
22	097829-02	Assemblage du moteur	1
23	098226-01	Interrupteur de marche/arrêt	1
24	*	Plaque d'avertissement	1
25	099125-01	Bornier	1
26	100408-03	Socle	1
27	097848-01	Assemblage de la plaque arrière	1
28	100146-01	Raccord en coude	1
29	098827-01	Raccord à compression	1
30	M10908-1	Vis hexagonale TPG « F » n° 6-32 x 25	2
31	097657-03	Thermostat	1
32	104905-01	Bouton du thermostat	1
33	110267-01	Fils couplés AED (2003-45 uniquement)	1
34	110287-01	Numéro de contrôle de l'AED : 2003-45	1
PIÈCES DISPONIBLES - PAS ILLUSTRÉES			
	M9900-170	Assemblage de fils (2003-45 uniquement)	1
	079010-36	Assemblage de fils (2003-45 uniquement)	1
	102971-02	Étiquette de câblage (2003-45 uniquement)	1
	102971-01	Étiquette de câblage (2003-19 uniquement)	1
	103021-03	Étiquette du thermostat	1
	103017-05	Étiquette d'information générale	1
	097650-01	Étiquette de marque de commerce (Master)	2
	113858-05	Étiquette de marque de commerce (Universal)	2
	111632-15	Étiquette signalétique du modèle	1
	099504-08	Étiquette d'avertissement	1
	100865-09	Étiquette d'utilisation	1
	LPA2020	Détendeur	1
	LPA3030	Assemblage du détendeur et du tuyau	1
	097916-01	Défecteur	1

* N'est plus disponible

** Cette pièce n'est pas remplaçable à la maison.

SERVICE DE GARANTIE ET DE RÉPARATION

CONSERVEZ CETTE GARANTIE

Modèle _____

Numéro de série _____

Date de l'achat _____

GARANTIES LIMITÉES POUR LES PRODUITS NEUFS ET LES PRODUITS REMIS EN ÉTAT

Nouveaux produits : DESA Heating Products garantit que cet appareil de chauffage et ses pièces sont exempts de défauts de matériaux et de fabrication et ceci pour une durée d'un (1) an à partir de la date du premier achat, lorsque l'appareil de chauffage est utilisé et entretenu en conformité avec les instructions du fabricant. Ces garanties ne protègent que l'acheteur au détail d'origine, lorsqu'une preuve d'achat est fournie.

Appareils de chauffage remis en état : DESA Heating Products garantit que cet appareil de chauffage remis en état en usine et ses pièces sont exempts de défauts de matériaux et de fabrication et ceci pour une durée de trente (30) jours à partir de la date du premier achat, lorsque l'appareil de chauffage est utilisé et entretenu en conformité avec les instructions du fabricant. Ces garanties ne protègent que l'acheteur au détail d'origine, lorsqu'une preuve d'achat est fournie.

Ces garanties ne couvrent que le coût des pièces et de la main d'œuvre requis pour restaurer le produit à son état de fonctionnement normal. Le transport et les frais incidents associés aux réparations sous garantie ne sont pas remboursables sous cette garantie.

Les réparations sous garantie ne sont disponibles que par l'intermédiaire de revendeurs et de centres de service autorisés.

Cette garantie ne couvre pas les défauts causés par la mauvaise utilisation, l'abus, la négligence, les accidents, le manque d'entretien adéquat, l'usure normale, les modifications, les altérations, le traficage, les combustibles contaminés, les réparations avec des pièces inadéquates ou les réparations par quelqu'un d'autre qu'un revendeur ou un centre de service autorisé. L'entretien de routine est la responsabilité du propriétaire.

CETTE GARANTIE EXPRESSE REMPLACE TOUTE AUTRE GARANTIE EXPRESSE OU IMPLICITE, Y COMPRIS LES GARANTIES DE COMMERCIALITÉ ET D'ADÉQUATION À UN BESOIN PARTICULIER.

DESA Heating Products n'assume aucune responsabilité pour les dommages indirects, imprévus ou incidents. Certains états ne permettent pas l'exclusion ou la restriction des dommages imprévus ou incidents et certaines restrictions ou exclusions pourraient ne pas s'appliquer à votre cas. Cette garantie limitée vous donne des droits spécifiques selon la loi; vous pourriez aussi avoir d'autres droits selon l'état ou la province où vous habitez.

Nous nous réservons le droit de modifier ces spécifications à tout moment sans préavis. La seule garantie valable est notre garantie écrite de série. Nous n'offrons aucune autre garantie, expresse ou implicite.

RÉPARATION SOUS GARANTIE

Si votre appareil de chauffage a besoin de réparation, retournez-le au centre de service autorisé le plus près de chez vous. Une preuve d'achat doit être présentée avec l'appareil de chauffage. L'appareil de chauffage sera inspecté. Un défaut peut être causé par des matériaux défectueux ou un défaut de fabrication. Si tel est le cas, DESA Heating Products réparera ou remplacera l'appareil de chauffage sans frais.

SERVICE DE RÉPARATION

Retournez votre appareil de chauffage au centre de service autorisé le plus proche de chez vous. Les réparations non couvertes par la garantie seront facturées aux prix normaux. Chaque centre de service est autonome. Nous nous réservons le droit de modifier ces spécifications à tout moment sans préavis. Quand vous écrivez, incluez le numéro de modèle et le numéro de série. Pour obtenir des informations, écrivez à :

DESA™
INDOOR/OUTDOOR PRODUCTS

2701 Industrial Drive
P.O. Box 90004
Bowling Green, KY 42102-9004

DESA™
INDUSTRIES OF CANADA, INC.

2220 Argentia Road, Unit #4
Mississauga, Ontario L5N2K7
905-826-8010



116699 01
NOT A UPC

116699-01
Rev. B
06/05

Free Manuals Download Website

<http://myh66.com>

<http://usermanuals.us>

<http://www.somanuals.com>

<http://www.4manuals.cc>

<http://www.manual-lib.com>

<http://www.404manual.com>

<http://www.luxmanual.com>

<http://aubethermostatmanual.com>

Golf course search by state

<http://golfingnear.com>

Email search by domain

<http://emailbydomain.com>

Auto manuals search

<http://auto.somanuals.com>

TV manuals search

<http://tv.somanuals.com>