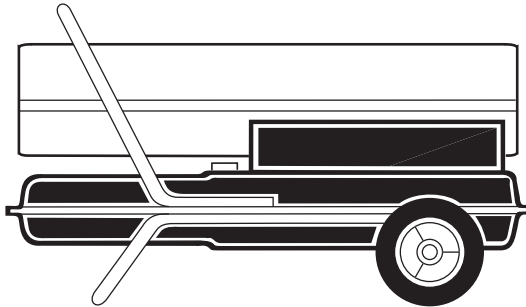




**CANADIAN PORTABLE FORCED AIR HEATERS
OWNER'S MANUAL**



MODELS: BC40, RC40, BC55T, RC55T, BC70T, RC70T, BC115CT, RC115CT, BC165CT AND RC165CT

IMPORTANT: Read and understand this manual before assembling, starting, or servicing heater.
Improper use of heater can cause serious injury. Keep this manual for future reference.

TABLE OF CONTENTS


Safety Information	2	Preventative Maintenance Schedule.....	7
Unpacking	2	Troubleshooting	8
Product Identification	3	Service Procedures	9
Assembly	4	Wiring Diagrams	15
Theory of Operation	5	Illustrated Parts Breakdown and Parts List	16
Fuels	5	Specifications	24
Ventilation	6	Accessories	25
Operation	6	Warranty and Repair Service	28
Storing, Transporting, or Shipping	7		



**Save this manual for future reference.
For more information, visit www.desatech.com**

SAFETY INFORMATION

IMPORTANT: Read this owner's manual carefully and completely before trying to assemble, operate, or service this heater. Improper use of this heater can cause serious injury or death from burns, fire, explosion, electrical shock, and carbon monoxide poisoning.

 DANGER: Carbon monoxide poisoning may lead to death!

Early signs of carbon monoxide poisoning resemble the flu, with headaches, dizziness, and/or nausea. If you have these signs, the heater may not be working properly. **Get fresh air at once!** Have heater serviced. Some people (such as pregnant women, persons with heart or lung disease, persons with anemia, those under the influence of alcohol, and those at high altitudes) are more affected by carbon monoxide than others.

1. Use only kerosene, #1/#2 diesel/fuel oil, JET A or JP-8 fuels to avoid risk of fire or explosion. Never use gasoline, naphtha, paint thinners, alcohol, or other highly flammable fuels.
2. Use only with the electrical voltage and frequency specified on model plate.
3. Heater must be grounded. Use only a properly grounded three-wire extension cord. Plug into grounded outlet only.
4. Use only in areas free of flammable vapors or high dust content.
5. Minimum clearance from any combustible materials: 8 feet (244 cm) from hot air outlet; 6 feet (183 cm) from top; and 2 feet (61 cm) from sides and inlet.
6. Locate heater on a stable and level surface while hot or operating or a fire may occur.
7. Use only in well ventilated areas. Provide ventilation of at least three square feet (2,800 square cm) for each 100,000 Btu/Hr of rating.
8. Keep children and animals away from heater at all times.
9. Never start heater when combustion chamber is hot or if fuel has accumulated in combustion chamber.
10. When used with a thermostat, heater may start at anytime.

11. When heater is moved or stored, it must be in a level position or fuel spillage may occur.
12. Use heater only in accordance with local ordinances and codes.
13. Never use gasoline, crankcase drainings, naphtha, paint thinners, alcohol, or other highly flammable fuels.
14. Never use heater where gasoline, paint thinner, or other highly flammable vapors are present.
15. Never use heater in living or sleeping areas.
16. Never leave a heater plugged in without adult supervision if children or animals are likely to be present.
17. Never move, handle, refuel, or service a hot, operating, or plugged-in heater.
18. Never block air inlet at motor end (rear) of heater.
19. Never attach duct work to front of heater.
20. Never attach heater to external fuel tank.

UNPACKING

1. Remove all protective packaging that has been applied to heater for shipment
2. Remove heater from carton.
3. Check heater for any shipping damage. If damage is found, promptly inform dealer where heater was purchased.

PRODUCT IDENTIFICATION

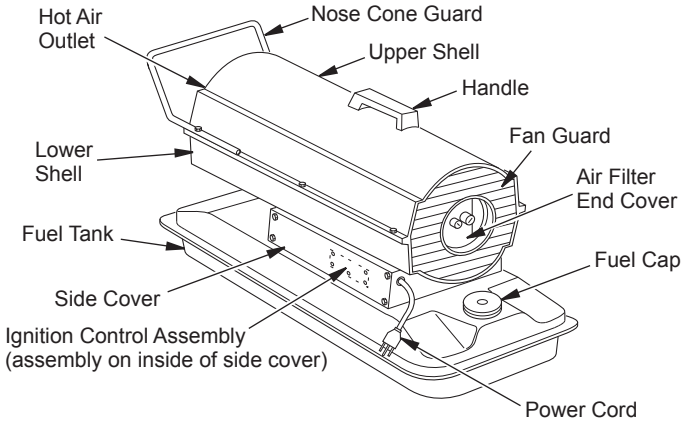


Figure 1 - 40 Model

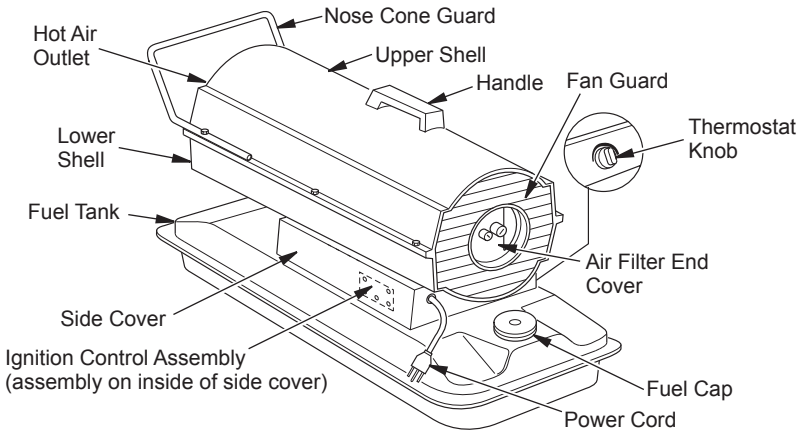


Figure 2 - 55T/70T Models

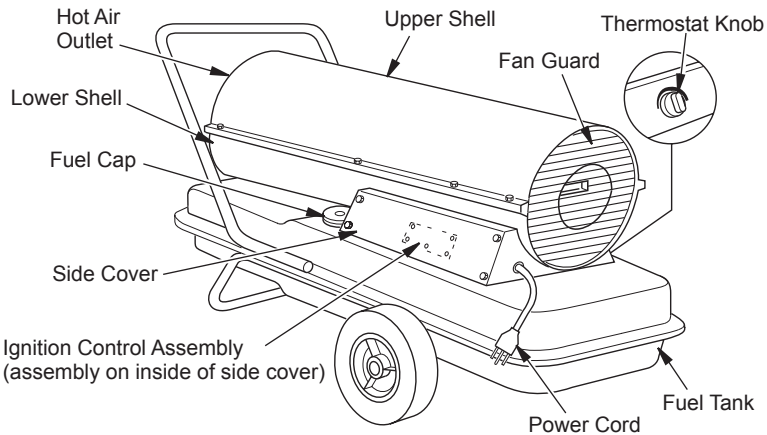


Figure 3 - 115T/165T Models

ASSEMBLY

(FOR 40, 55T, AND 70T MODELS ONLY)

These models are furnished with a nose cone guard. Nose cone guard and mounting screws are found in the shipping carton.

Tools Needed

- 5/16" Nut Driver or Wrench
1. Place nose cone guard on top of upper shell flange. Make sure nose cone guard is on hot air outlet end of heater.
 2. Insert screws through nose cone guard and upper shell flange.
 3. Tighten screws firmly.

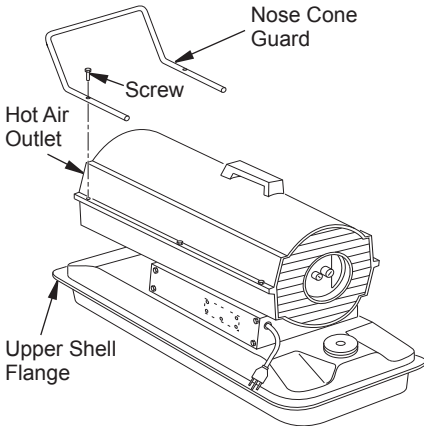


Figure 4 - Nose Cone Guard Assembly, 40/55T/70T Models Only

(FOR 115T AND 165T MODELS ONLY)

These models are furnished with wheels and a front handle. Some models are furnished with a rear handle also. Wheels, handle(s), and the mounting hardware is found in the shipping carton.

Tools Needed

- Medium Phillips Screwdriver
 - 3/8" Open or Adjustable Wrench
 - Hammer
1. Slide axle through wheel support frame. Install wheels on axle.
IMPORTANT: Place extended hub of wheel toward wheel support frame.
 2. Place cap nuts on axle ends. Gently tap with hammer to secure.
 3. Place heater on wheel support frame assembly. Make sure air inlet end of heater is over wheels.
 4. Place front handle on top of fuel tank flange. Insert screws through handle(s), fuel tank flange and wheel support frame. Attach nut finger tight after each screw is inserted.
 5. Tighten all nuts firmly.

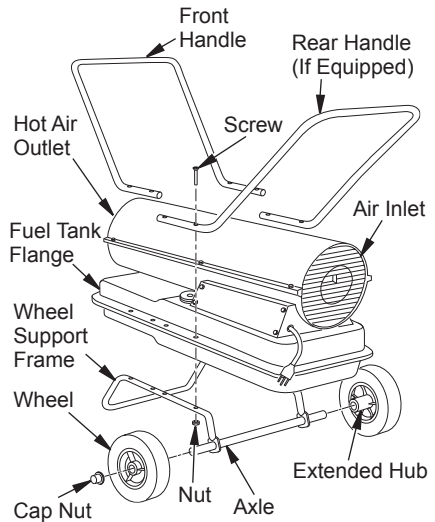


Figure 5 - Wheel and Handle Assembly, 115T/165T Models Only

THEORY OF OPERATION

The Fuel System: The air pump forces air through the air line. The air is then pushed through the nozzle. This air causes fuel to be lifted from the tank. A fine mist of fuel is sprayed into the combustion chamber.

The Air System: The motor turns the fan. The fan pushes air into and around the combustion

chamber. This air is heated and provides a stream of clean, hot air.

The ignition control assembly provides power to the ignitor. This ignites the fuel/air mixture in the combustion chamber.

The Flame-Out Control System: This system causes the heater to shut down if the flame goes out.

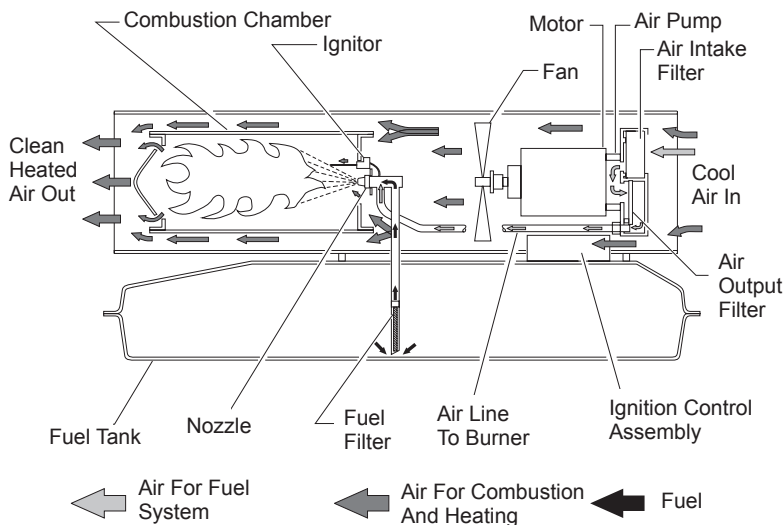


Figure 6 - Cross Section Operational View

FUELS

WARNING: Use only kerosene, #1/#2 diesel/fuel oil, JET A or JP-8 fuels to avoid risk of fire or explosion. Never use gasoline, oil drained from crankcases, naphtha, paint thinners, alcohol or other highly flammable fuels.

Use only kerosene, #1/#2 diesel/fuel oil, JET A or JP-8 fuels. Heavier fuels such as No. 2 fuel oil or No. 2 diesel fuel may also be used but will result in:

- noticeable odor
- additional fuel filter maintenance
- the need for nontoxic, anti-icer additives in very cold weather

Do not use fuels heavier than No. 2 grade or heavy oils such as oil drained from crankcases. These heavy oils will not ignite properly and will contaminate the heater.

IMPORTANT: Use a KEROSENE ONLY (blue) or DIESEL ONLY (yellow) storage container. Be sure storage container is clean. Foreign matter such as rust, dirt, or water will cause the ignition control assembly to shut down heater. Foreign matter may also require heater's fuel system to be frequently cleaned.

VENTILATION

⚠ WARNING: Provide a fresh air opening of at least three square feet (2,800 square cm) for each 100,000 Btu/Hr rating. Provide extra fresh air if more heaters are being used. The minimum ventilation requirements must be followed to avoid risks associated with carbon monoxide poisoning. Make certain these requirements are met prior to operating heater.

Example: A 165 model heater requires one of the following:

- a two-car garage door (16 ft. [4.88 m] wide opening) raised four inches (10.16 cm)
- a single-car garage door (9 ft. [2.74 m] wide opening) raised seven inches (17.78 cm)
- two, thirty-inch (76.20 cm) windows raised twelve inches (30.48 cm)

OPERATION

IMPORTANT: Review and understand the warnings in the *Safety Information* section, page 2. They are needed to safely operate this heater. Follow all local ordinances and codes when using this heater.

TO START HEATER

1. Follow all ventilation and safety information.
2. Fill fuel tank with kerosene, #1/#2 diesel/fuel oil, JET A or JP-8 fuels.
3. Attach fuel cap.
4. For thermostat models 55T, 70T, 115T, and 165T, turn thermostat knob clockwise to the high position.
5. Plug heater's power cord into approved, grounded, three-wire extension cord. Extension cord must be at least six feet (1.8 meters) long.

Extension Cord Size Requirement

6 to 10 feet (1.8 to 3 meters) long, use 18 AWG (0.75 mm²) rated cord

11 to 100 feet (3.3 to 30.5 meters) long, use 16 AWG (1.0 mm²) rated cord

101 to 200 feet (30.8 to 61 meters) long, use 14 AWG (1.5 mm²) rated cord

6. Plug extension cord into standard 120 volt/60 hertz, 3-prong grounded outlet. *Note:* Ignitor will preheat for five seconds, then heater will start.
7. For thermostat models 55T, 70T, 115T, and 165T, adjust thermostat knob to the desired setting. *Note:* A cold heater may affect the thermostat setting. This thermostat is a general-heating control. It is not intended for precise temperature control. Adjust thermostat until heater cycles at the desired setting.

TO STOP HEATER

Unplug extension cord from outlet.

TO RESTART HEATER

1. Unplug extension cord from outlet and wait 10 seconds. (Wait two minutes if heater has been running.)
2. Repeat steps under *To Start Heater*.

STORING, TRANSPORTING, OR SHIPPING

Note: If shipping, transport companies require fuel tanks to be empty.

1. Drain fuel tank.

Note: Some models have drain plug on underside of fuel tank. If so, remove drain plug to drain all fuel. If heater does not have drain plug, drain fuel through fuel cap opening. Be sure all fuel is removed.

2. Replace drain plug if provided.

3. If any debris is noted in old fuel, add 1 or 2 quarts of clean kerosene to tank, stir, and drain again. This will prevent excess debris from clogging filters during future use.
4. Replace fuel cap or drain plug. Properly dispose of old and dirty fuel. Check with local automotive service stations that recycle oil.
5. If storing, store heater in dry place. Make sure storage place is free of dust and corrosive fumes.

IMPORTANT: Do not store kerosene over summer months for use during next heating season. Using old fuel could damage heater.

PREVENTATIVE MAINTENANCE SCHEDULE



WARNING: To avoid risk of burn and electrical shock, never attempt to service heater while it is plugged in, operating, or hot.

Item	How Often	How To
Fuel tank	Flush every 150-200 hours of operation or as needed	See <i>Storing, Transporting, or Shipping</i>
Air output and lint filters	Replace every 500 hours of operation or once a year	See <i>Air Output, Air Intake, and Lint Filters</i> , page 10
Air intake filter	Wash and dry with soap and water every 500 hours of operation or replace as needed	See <i>Air Output, Air Intake, and Lint Filters</i> , page 10
Fuel filter	Clean twice a heating season or replace as needed	See <i>Fuel Filter</i> , page 11
Ignitor	None required	
Fan blades	Clean every season or as needed	See <i>Fan</i> , page 9
Motor	Not required/permanently lubricated	

TROUBLESHOOTING

⚠ WARNING: Never service heater while it is plugged in, operating, or hot. Severe burns and electrical shock can occur.

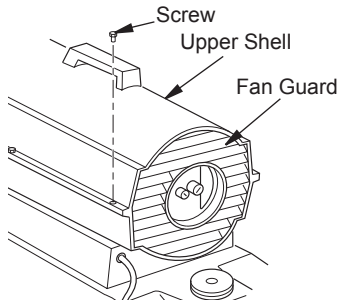
FAULT CONDITION	POSSIBLE CAUSE	REMEDY
Motor does not start five seconds after heater is plugged in	<ol style="list-style-type: none"> 1. No power to heater 2. Thermostat setting is too low 	<ol style="list-style-type: none"> 1. Check circuit breaker in electrical panel 2. Turn thermostat knob to a higher setting
⚠ WARNING: High voltage!		
	<ol style="list-style-type: none"> 3. Bad electrical connection between motor and ignition control assembly or ignition control assembly and power cord 4. Binding pump rotor 5. Defective ignition control assembly 6. Defective motor 	<ol style="list-style-type: none"> 3. Check all electrical connections. See <i>Wiring Diagrams</i>, page 15 4. If fan does not turn freely, see <i>Pump Rotor</i>, page 14 5. Replace ignition control assembly 6. Replace motor
Motor starts and runs but heater does not ignite	<ol style="list-style-type: none"> 1. No fuel in tank 2. Pump pressure incorrect 3. Dirty fuel filter 4. Obstruction in nozzle 5. Water in fuel tank 	<ol style="list-style-type: none"> 1. Fill tank with kerosene 2. See <i>Pump Pressure Adjustment</i>, page 10 3. See <i>Fuel Filter</i>, page 11 4. See <i>Nozzle Assembly</i>, page 12 5. Drain and flush fuel tank with clean kerosene. See <i>Storing, Transporting, or Shipping</i>, page 7
⚠ WARNING: High voltage!		
	<ol style="list-style-type: none"> 6. Bad electrical connection between ignitor and ignition control assembly 7. Defective ignitor 8. Defective ignition control assembly 	<ol style="list-style-type: none"> 6. Check electrical connections. See <i>Wiring Diagrams</i>, page 15 7. Replace ignitor, see page 11 8. Replace ignition control assembly
Heater ignites but ignition control assembly shuts heater off after a short period of time	<ol style="list-style-type: none"> 1. Pump pressure incorrect 2. Dirty air intake, air output, and/or lint filter 3. Dirty fuel filter 4. Obstruction in nozzle 5. Photocell assembly not properly installed (not seeing the flame) 6. Dirty photocell lens 	<ol style="list-style-type: none"> 1. See <i>Pump Pressure Adjustment</i>, page 10 2. See <i>Air Output, Air Intake, and Lint Filters</i>, page 10 3. See <i>Fuel Filter</i>, page 11 4. See <i>Nozzle Assembly</i>, page 12 5. Make sure photocell boot is properly seated in bracket 6. Clean photocell lens
⚠ WARNING: High voltage!		
	<ol style="list-style-type: none"> 7. Bad electrical connection between photocell and ignition control assembly 8. Defective photocell 9. Defective ignition control assembly 	<ol style="list-style-type: none"> 7. Check electrical connections. See <i>Wiring Diagrams</i>, page 15 8. Replace photocell 9. Replace ignition control assembly

SERVICE PROCEDURES

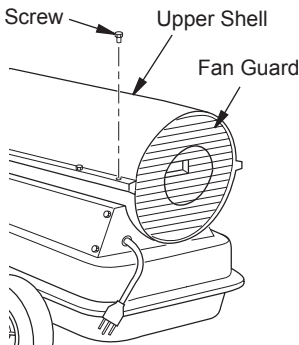
WARNING: To avoid risk of burn and electrical shock, never attempt to service heater while it is plugged in, operating, or hot.

UPPER SHELL REMOVAL

1. Remove screws along each side of heater using 5/16" nut-driver. These screws attach upper and lower shells together. See Figure 7 or 8.
2. Lift upper shell off.
3. Remove fan guard.



**Figure 7 - Upper Shell Removal
(40/55T/70T Models Only)**

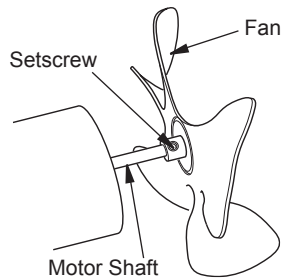


**Figure 8 - Upper Shell Removal
(115T/165T Models Only)**

FAN

IMPORTANT: Remove fan from motor shaft before removing motor from heater. The weight of the motor resting on the fan could damage the fan pitch (see Figure 9).

1. Remove upper shell (see Figure 7 or 8).
2. Use 1/8" allen wrench to loosen setscrew which holds fan to motor shaft.
3. Slip fan off motor shaft.
4. Clean fan using a soft cloth moistened with kerosene or solvent.
5. Dry fan thoroughly.
6. Replace fan on motor shaft. Place fan hub flush with end of motor shaft (see Figure 10).
7. Place setscrew on flat of shaft. Tighten setscrew firmly (40-50 inch-pounds/4.5-5.6 n-m).
8. Replace fan guard and upper shell.



**Figure 9 - Fan, Motor Shaft, and
Setscrew Location**

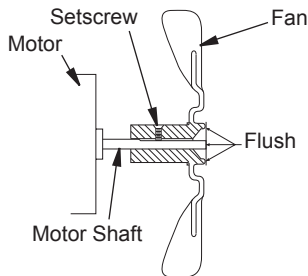


Figure 10 - Fan Cross Section

SERVICE PROCEDURES

Continued

AIR OUTPUT, AIR INTAKE AND LINT FILTERS

1. Remove upper shell (see Figure 7 or 8, page 9).
2. Remove filter end cover screws using 5/16" nut-driver. See Figure 11 or 12.
3. Remove filter end cover.
4. Replace air output and lint filters.
5. Wash or replace air intake filter (see *Preventative Maintenance Schedule*, page 7).
6. Replace filter end cover.
7. Replace fan guard and upper shell.

IMPORTANT: Do not oil filters.

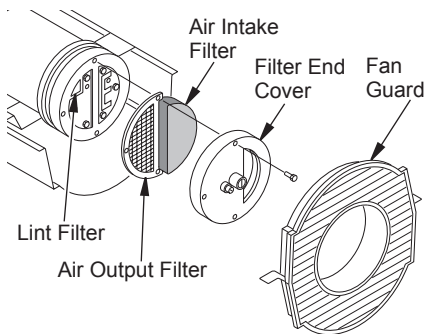


Figure 11 - Air Output, Air Intake, and Lint Filters, 40/55T/70T Models

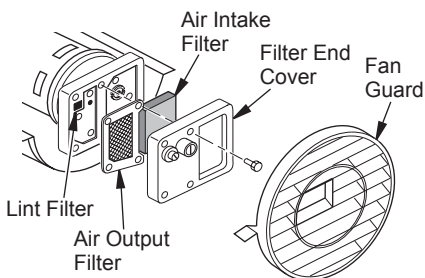


Figure 12 - Air Output, Air Intake, and Lint Filters, 115T/165T Models

PUMP PRESSURE ADJUSTMENT

1. Remove pressure gauge plug from filter end cover (see Figure 13).
2. Install accessory pressure gauge (part number HA1180).
3. Start heater (see *Operation*, page 6). Allow motor to reach full speed.
4. Adjust pressure. Turn relief valve to right to increase pressure. Turn relief valve to left to decrease pressure. See specifications correct pressure for each model (see Figure 14).
5. Remove pressure gauge. Replace pressure gauge plug in filter end cover.

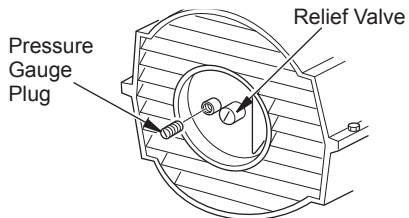


Figure 13 - Pressure Gauge Plug Removal (40/55T/70T Models Shown)

Model	Pump Pressure
40	3.0 PSI
55T	3.4 PSI
70 T	4.7 PSI
115T	5.1 PSI
165T	5.6 PSI

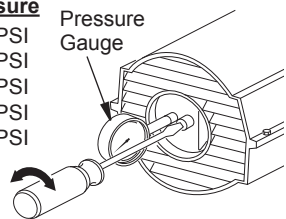


Figure 14 - Adjusting Pump Pressure (40/55T/70T Models Shown)

SERVICE PROCEDURES

Continued

FUEL FILTER

1. Remove side cover screws using 5/16" nut-driver.
2. Remove side cover.
3. Pull upper fuel line off fuel filter neck (see Figure 15 or 16).
4. Carefully pry bushing, fuel filter, and lower fuel line (115T/165T models only) out of fuel tank (see Figure 16).
5. Wash fuel filter with clean fuel and replace in tank.
6. Attach upper fuel line to fuel filter neck.
7. Replace side cover.

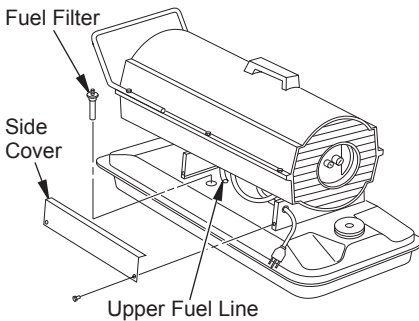


Figure 15 - Fuel Filter Removal, 40/55T/70T Models

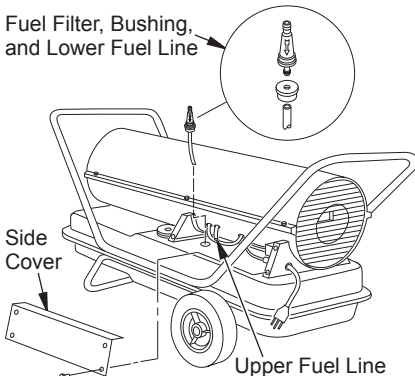


Figure 16 - Fuel Filter Removal, 115T/165T Models

IGNITOR

1. Remove upper shell and fan guard (See *Upper Shell Removal*, page 9).
2. Remove fan (see page 9).
3. Remove 4 side cover screws with a 5/16" nut driver. Remove side cover (see Figures 15 and 16).
4. Disconnect ignitor wires (yellow) from ignition control assembly (see Figure 17). Pull the ignitor wires up through the hole in the lower shell.
5. Disconnect fuel line hose and air line hose. Remove photocell from photocell bracket (see Figure 17).
6. Remove combustion chamber. Stand combustion chamber on end with nozzle adapter bracket on top (see Figure 18).

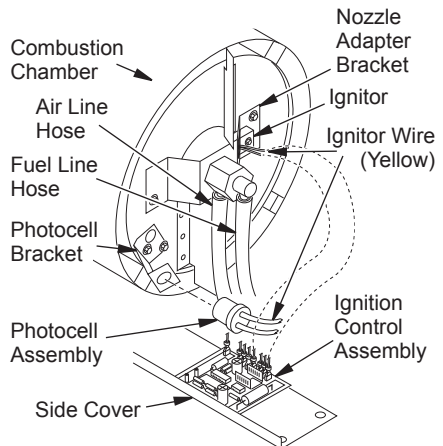


Figure 17 - Disconnecting Ignitor Wires from Ignition Control Assembly

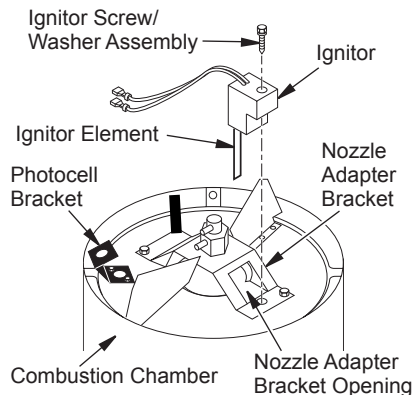


Figure 18 - Ignitor Replacement

SERVICE PROCEDURES

Continued

- Remove ignitor screw with a 1/4" nut driver. Carefully remove ignitor from nozzle adapter bracket.

CAUTION: Do not bend or strike ignitor element. Handle with care.

- Carefully remove replacement ignitor from styrofoam packing.
- Carefully guide ignitor into opening in nozzle adapter bracket. Do not strike ignitor element. Attach ignitor to nozzle adapter bracket with screw using a 1/4" nut driver (see Figure 18, page 11). Torque 8 to 15 in. lbs. Do not over torque.
- Replace combustion chamber.
- Route the ignitor wires back down through the hole in the lower shell. Connect wires to the ignition control assembly (see Figure 17, page 11).
- Replace side cover (see Figures 15 and 16, page 11).
- Connect and route fuel line hose and air line hose to nozzle adapter assembly. See *Fuel and Air Line Replacement and Proper Routing*, page 13.
- Replace photocell in photocell bracket. Route wires as shown in Figure 19, 20, or 21.
- Replace fan (see *Fan*, page 9).
- Replace fan guard and upper shell (see *Upper Shell Removal*, page 9).

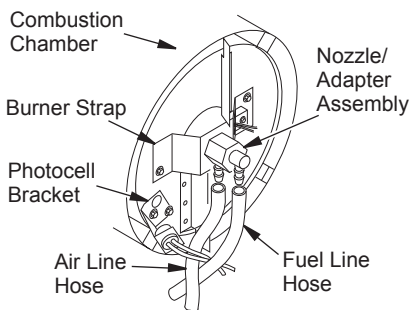


Figure 19 - Removing Air and Fuel Line Hoses, (40/55T/70T Models Only)

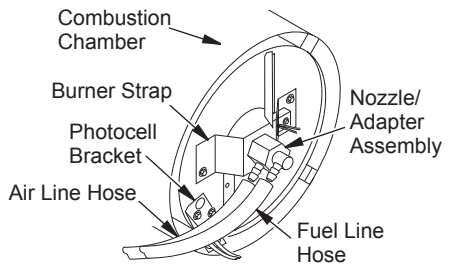


Figure 20 - Removing Air and Fuel Line Hoses, (115T Model Only)

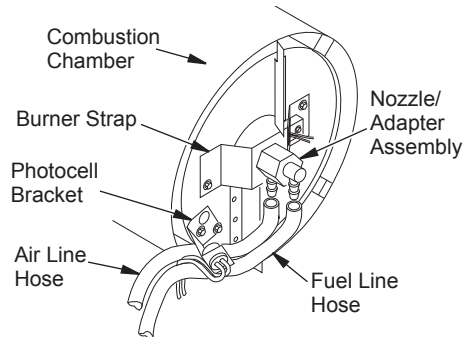


Figure 21 - Removing Air and Fuel Line Hoses (165T Model Only)

NOZZLE ASSEMBLY

- Remove upper shell (see *Upper Shell Removal*, page 9).
- Remove fan (see *Fan*, page 9).
- Remove fuel and air line hoses from nozzle assembly (see Figure 19, 20, or 21).
- Turn nozzle assembly 1/4 turn to left and pull toward motor to remove (see Figure 22).
- Place plastic hex-body into vise and lightly tighten.

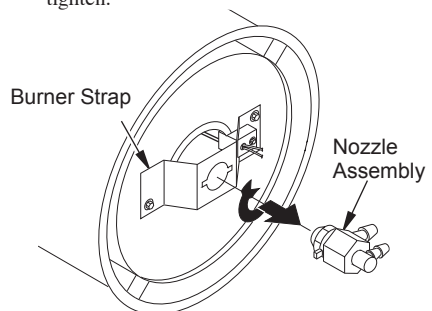


Figure 22 - Removing Nozzle Assembly, All Models

SERVICE PROCEDURES

Continued

- Carefully remove nozzle from the nozzle adapter using 5/8" socket wrench. See Figure 23.
- Blow compressed air through face of nozzle. This will free any dirt in nozzle area.
- Inspect nozzle sleeve for damage.
- Replace nozzle into nozzle adapter until nozzle seats. Tighten 1/3 turn more using 5/8" socket wrench (40-45 inch-pounds). See Figure 23.
- Attach nozzle assembly to burner strap (see Figure 22).
- Attach fuel and airline hoses to nozzle adapter assembly. See *Fuel and Air Line Replacement and Proper Routing*.
- Replace fan (see *Fan*, page 9).
- Replace fan guard and upper shell (see *Upper Shell Removal*, page 9).

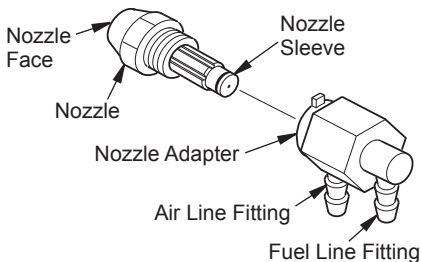


Figure 23 - Nozzle and Nozzle Adapter, All Models

FUEL AND AIR LINE REPLACEMENT AND PROPER ROUTING

- Remove upper shell (see *Upper Shell Removal*, page 9).
- Remove side cover screws using 5/16" nut driver (see Figure 15 or 16, page 11).
- Remove side cover.
- Inspect fuel and air line hoses for cracks and/or holes. If fuel line hose is damaged, disconnect from nozzle adapter (see Figure 19, 20, or 21, page 12) and from fuel filter (see *Fuel Filter*, page 11). If air line hose is damaged, disconnect from nozzle adapter (see Figure 19, 20, or 21, page 12) and from barb fitting on pump end cover (see Figure 24).
- Install new air and/or fuel line. Attach one end of air line hose to barb fitting on pump end cover (see Figure 24) and the other end to nozzle adapter (see Figure 19, 20, or 21, page 12). Attach one end of fuel line hose to fuel filter (see *Fuel Filter*, page 11) and the other end to nozzle adapter (see Figure 19, 20, or 21, page 12).

Note: Route hoses as shown in Figure 19, 20, or 21, page 12, according to model. Hoses are not to touch photocell bracket.

- Replace side cover.
- Replace upper shell and fan guard (see *Upper Shell Removal*, page 9).

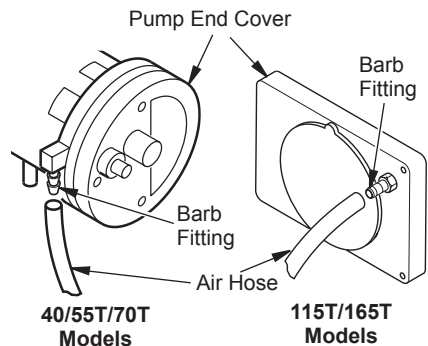


Figure 24 - Air Hose to Barb Fitting

SERVICE PROCEDURES

Continued

PUMP ROTOR

(Procedure if Rotor is Binding)

1. Remove upper shell (see *Upper Shell Removal*, page 9).
2. Remove filter end cover screws using 5/16" nut-driver (see Figure 25 or 26).
3. Remove filter end cover and air filters.
4. Remove pump plate screws using 5/16" nut-driver.
5. Remove pump plate.
6. Remove rotor, insert, and blades.
7. Check for debris in pump. If debris is found, blow out with compressed air.
8. Install insert and rotor.
9. Check gap on rotor. Adjust to .003"/.004" (.076-.101 mm) if needed (see Figure 27).

Note: Rotate Rotor one full turn to insure the gap is .003"/.004" (.076-.101 mm) at tightest position. Adjust if needed.

10. Install blades, pump plate, air filters, and filter end cover.
11. Replace fan guard and upper shell (see *Upper Shell Removal*, page 9).
12. Adjust pump pressure (see *Pump Pressure Adjustment*, page 10).

Note: If rotor is still binding, proceed as follows.

13. Perform steps 1 thru 6.
14. Place fine grade sandpaper (600 grit) on flat surface. Sand rotor lightly in "figure 8" motion four times (see Figure 28).
15. Reinstall insert and rotor.
16. Perform steps 10 thru 12.

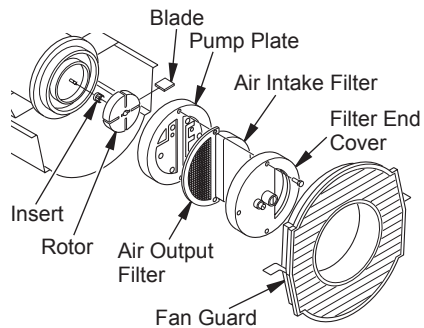


Figure 25 - Rotor Location, 40/55T/70T Models

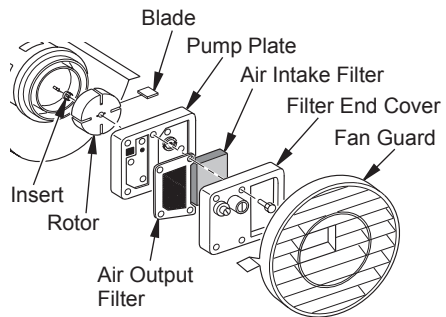


Figure 26 - Rotor Location, 115T/165T Models

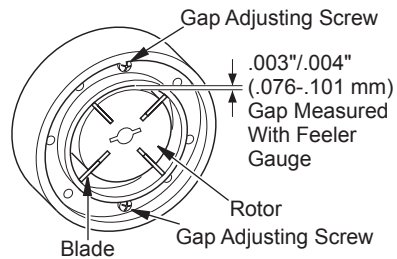


Figure 27 - Gap Adjusting Screw Locations

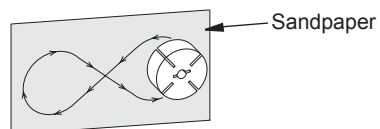


Figure 28 - Sanding Rotor

SERVICE PROCEDURES

Continued

IGNITION CONTROL ASSEMBLY

⚠ WARNING: High Voltage!

1. Unplug heater.
2. Remove side cover screws (4) using 5/16" nut-driver to expose ignition control assembly (see Figure 15 or 16, page 11).
3. Remove fuse cover (see Figure 29).
4. Remove fuse from fuse clips (see Figure 29).
5. Replace fuse with fuse of the same type and rating (GMA-10). Do not substitute a fuse with a higher current rating.

6. Replace fuse cover (see Figure 29).
7. Replace side cover (see Figure 15 or 16, page 11).

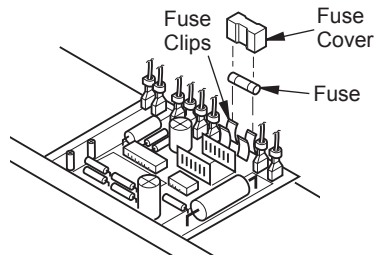


Figure 29 - Replacing Fuse

WIRING DIAGRAMS

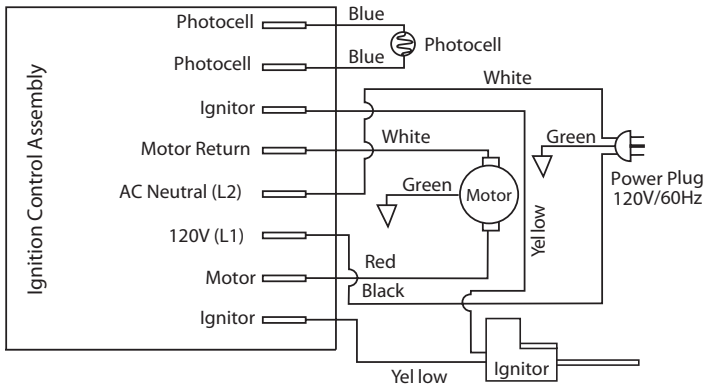


Figure 30 - Wiring Diagram for 40 Models

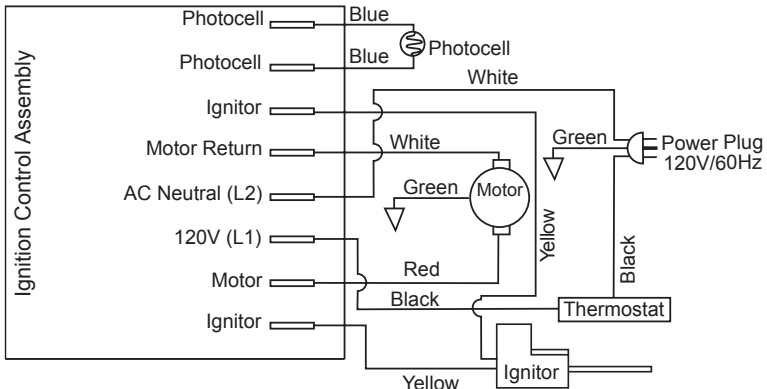
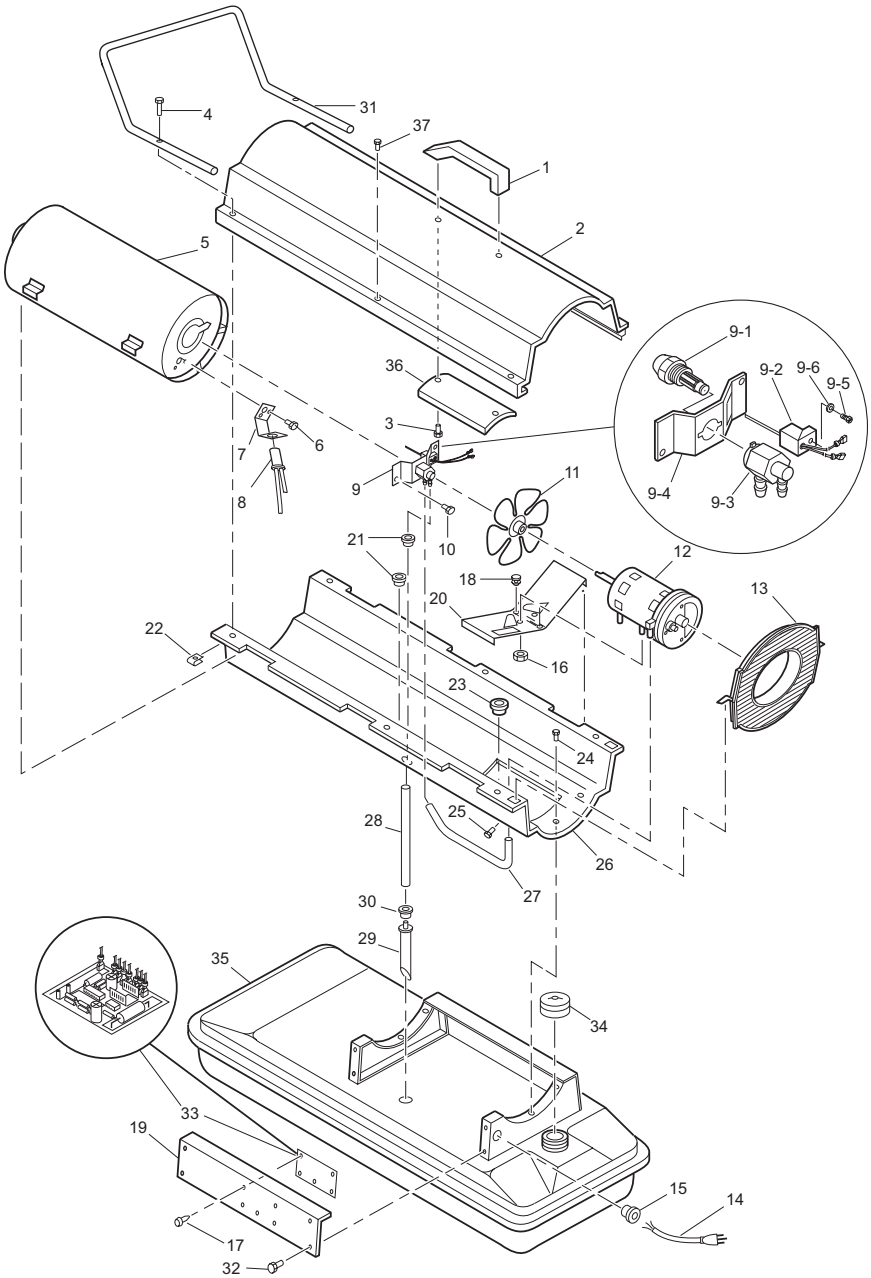


Figure 31 - Wiring Diagram for 55T/70T/115T/165T Thermostat Models

ILLUSTRATED PARTS BREAKDOWN

MODELS BC40 AND RC40



PARTS LIST

MODELS BC40 AND RC40

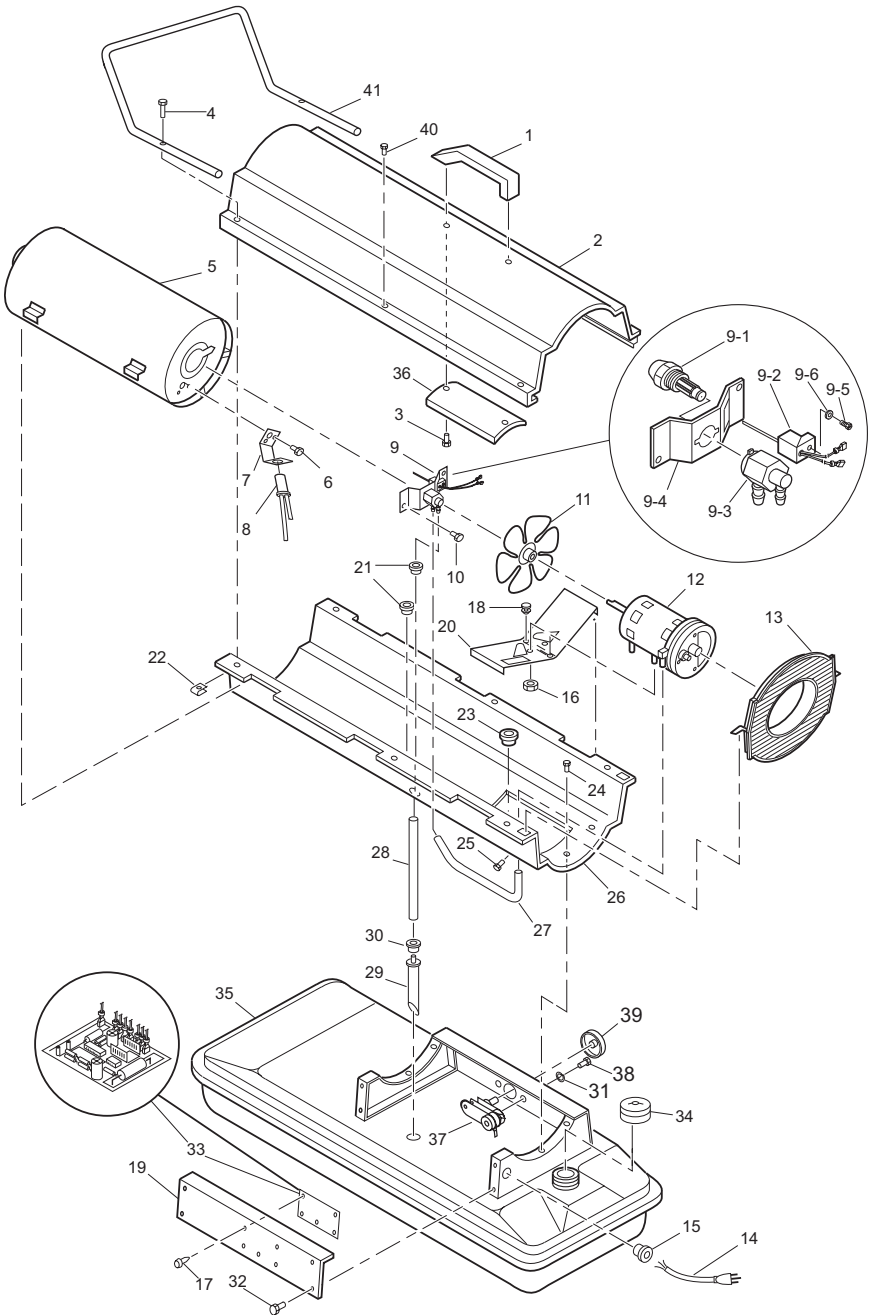
This list contains replaceable parts used in your heater. When ordering parts, be sure to provide the correct model and serial numbers (from the model plate), then the part number and description of the desired part.

KEY NO.	PART NUMBER	DESCRIPTION	QTY.
1	M51104-01	Handle	1
2	098511-67	Upper Shell (Service Part Will Be Black)	1
3	M11084-29	Screw, #10-16 x 3/4"	2
4	108631-01	Screw, #10-16 x 1"	2
5	098512-58	Combustion Chamber	1
6	M10908-2	Screw, #6-32 x 3/8"	2
7	103154-03	Photocell Bracket	1
8	M16656-24	Photocell Assembly	1
9	**	Burner Head Assembly	1
9-1	HA3006	Nozzle Assembly	1
9-2	HA1000	Ignitor Kit	1
9-3	104056-01	Nozzle Adapter	1
9-4	102336-01	Nozzle Adapter Bracket	1
9-5	M10908-75	Screw, Hex Head, Tapping	1
9-6	103347-01	Belleville Washer	1
10	M11084-26	Screw, #10-16 x 3/8"	2
11	103684-01	Fan	1
12	**	Motor (see page 22)	1
13	M51105-01	Fan Guard	1
14	098219-38	Power Cord	1
15	M11143-1	Strain Relief Bushing	1
16	NTC-4C	Hex Lock Nut, 1/4-20	2
17	M11084-26	Screw, #10-16 x 3/8"	4
18	M50631	Rubber Bumper	2
19	097461-09	Side Cover	1
20	101205-01	Motor Bracket	1
21	M30865-02	Bushing	2
22	M11271-8	Clip Nut	6
23	M50104-02	Bushing	1
24	M11084-26	Screw, #10-16 x 3/8"	6
25	097211-02	Screw, #8-18 x 1/2"	1
26	098511-234	Lower Shell (Service Part will be Black)	1
27	M50814-06	Rubber Airline	1
28	079973-01	Fuel Line	1
29	M50876-04	Fuel Filter with bushing	1
30	M10990-3	Rubber Bushing	1
31	079532-01	Guard, Nose Cone	1
32	102349-01	PCB Support	5
33	104068-02	Ignition Control Assembly	1
34	097702-01	Fuel Cap (Includes Gasket)	1
35	108088-01	Fuel Tank	1
36	M51108-01	Shell Heat-Shield	1
37	M15823-27	Screw, #10-16 x 1/2"	4
PARTS AVAILABLE - NOT SHOWN			
	103814-01	Wire Tie	1
	105550-01	Warning/Maintenance Decal	1
	105550-02	Warning/Maintenance Decal	1

** Not available as an assembly

ILLUSTRATED PARTS BREAKDOWN

MODELS BC55T, RC55T, BC70T, AND RC70T



PARTS LIST

MODELS BC55T, RC55T, BC70T, AND RC70T

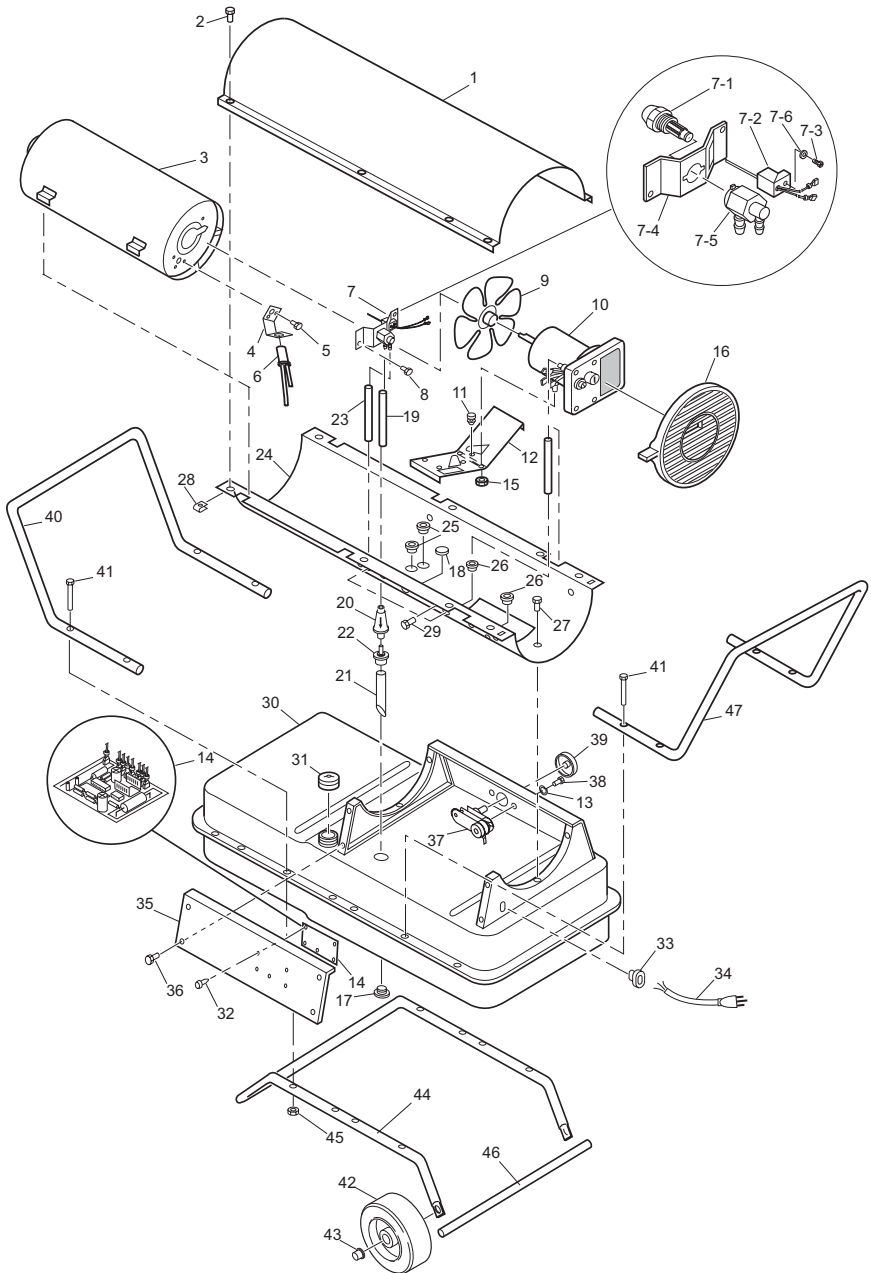
This list contains replaceable parts used in your heater. When ordering parts, be sure to provide the correct model and serial numbers (from the model plate), then the part number and description of the desired part.

KEY NO.	PART NUMBER	DESCRIPTION	QTY.
1	M51104-01	Handle	1
2	098511-67	Upper Shell (Service Part Will Be Black)	1
3	M11084-29	Screw, #10-16 x 3/4"	2
4	108631-01	Screw, #10-16 x 1"	2
5	098512-50	Combustion Chamber (55T)	1
	098512-51	Combustion Chamber (70T)	1
6	M10908-2	Screw, #6-32 x 3/8"	2
7	103154-03	Photocell Bracket	1
8	M16656-24	Photocell Assembly	1
9	**	Burner Head Assembly	
9-1	HA3024	Nozzle Assembly (55T)	1
	HA3026	Nozzle Assembly (70T)	1
	HA1000	Ignitor Kit	1
9-2	104056-01	Nozzle Adapter	1
9-3	102336-02	Nozzle Adapter Bracket (55T)	1
9-4	102336-01	Nozzle Adapter Bracket (70T)	1
	M10908-75	Screw, Hex Head, Tapping	1
9-5	103347-01	Belleville Washer	1
9-6	M11084-26	Screw, #10-16 x 3/8"	2
10	103684-01	Fan (55T)	1
11	M29678	Fan (70T)	1
12	**	Motor (see page 22)	1
13	M51105-01	Fan Guard	1
14	098219-38	Power Cord	1
15	M11143-1	Strain Relief Bushing	1
16	NTC-4C	Hex Lock Nut, 1/4-20	2
17	M11084-26	Screw, #10-16 x 3/8"	4
18	M50631	Rubber Bumper	2
19	097461-09	Side Cover	1
20	101205-01	Motor Bracket	1
21	M30865-02	Bushing	2
22	M11271-8	Clip Nut	6
23	M50104-02	Bushing	1
24	M11084-26	Screw, #10-16 x 3/8"	6
25	097211-02	Screw, #8-18 x 1/2"	1
26	098511-234	Lower Shell (Service Part will be Black)	1
27	M50814-06	Rubber Airline	1
28	079973-01	Fuel Line	1
29	M50876-05	Fuel Filter (with bushing)	1
30	M10990-3	Rubber Bushing	1
31	WLE-2	Lock Washer, #8	1
32	102349-01	PCB Support	5
33	104068-02	Ignition Control Assembly	1
34	097702-01	Fuel Cap (Includes Gasket)	1
35	108088-03	Fuel Tank	1
36	M51108-01	Shell Heat-Shield	1
37	104458-01	Thermostat	1
38	M12461-18	Screw, #8-32 x 7/8"	1
39	104460-01	Thermostat Knob	1
40	M15823-27	Screw, #10-16 x 1/2"	4
41	079532-01	Guard, Nose Cone	1
PARTS AVAILABLE - NOT SHOWN			
	100621-09	Thermostat Decal	1
	103814-01	Wire Tie	1
	M9900-170	Wire Assembly	1
	105550-01	Warning/Maintenance Decal	1
	105550-02	Warning/Maintenance Decal	1

** Not available as an assembly

ILLUSTRATED PARTS BREAKDOWN

MODELS BC115CT, RC115CT, BC165CT AND RC165CT



PARTS LIST

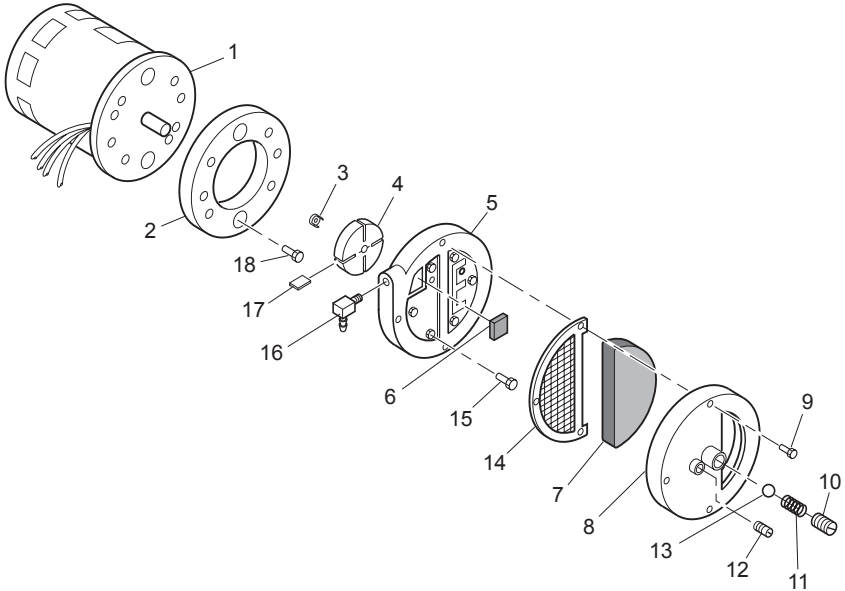
MODELS BC115CT, RC115CT, BC165CT AND RC165CT

KEY NO.	PART NUMBER		DESCRIPTION	QTY.
	115T	165T		
1	098511-292	098511-292	Upper Shell (Service Part Will Be Black)	1
2	M15823-27	M15823-27	Screw, #10-16 x 1/2"	8
3	098512-71	098512-75	Combustion Chamber	1
4	103154-05	M16660-02	Photocell Bracket	1
5	M10908-2	M10908-2	Screw, #6-32 x 3/8"	2
6	M16656-24	M16656-24	Photocell Assembly	1
7	***	***	Burner Head Assembly	1
7-1	HA3027	HA3028	Nozzle Assembly	1
7-2	HA1000	HA1000	Ignitor Kit	1
7-3	M10908-75	M10908-75	Screw, Hex Head, Tapping	1
7-4	102336-01	102336-01	Nozzle Adapter Bracket	1
7-5	104054-01	104054-01	Nozzle Adapter	1
7-6	103347-01	103347-01	Belleville Washer	1
8	M11084-27	M11084-27	Screw, #10-16 x 1/2"	2
9	097293-01	102042-01	Fan	1
10	***	***	Motor (see page 22)	1
11	M50631	M50631	Rubber Bumper	2
12	101206-01	101206-01	Motor Mounting Bracket	1
13	WLE-2	WLE-2	Washer, #8	1
14	104068-02	104068-02	Ignition Control Assembly	1
15	NTC-4C	NTC-4C	Hex Lock Nut, 1/4-20	2
16	111037-01	111037-01	Fan Guard	1
17	M27417	M27417	Drain Plug (Includes "o" Ring)	1
18	099213-01	099213-01	Button Plug	1
19	M51345-06	M51345-06	Fuel Line	1
20	106896-01**	106896-01**	Fuel Filter	1
21	M51151-01	M51151-02	Fuel Line Tube	1
22	M10990-3	M10990-3	Rubber Bushing	1
23	M50814-03	M50814-03	Airline	1
24	098511-293	098511-293	Lower Shell (Service Part will be Black)	1
25	M50104-06	M50104-06	Bushing	1
26	M50104-01	M50104-01	Bushing	2
27	M11084-27	M11084-27	Screw, #10-16 x 1/2"	6
28	M11271-8	M11271-8	Clip Nut	8
29	M10908-14	M10908-14	Screw, #8-32 x 3/8"	1
30	108088-04	108088-05	Fuel Tank	1
31	097702-01	097702-01	Fuel Cap (Includes Gasket)	1
32	102349-01	102349-01	P.C. Board Support	5
33	M11143-1	M11143-1	Strain Relief Bushing	1
34	098219-38	098219-38	Power Cord	1
35	M51077-15	M51077-15	Side Cover	1
36	M11084-27	M11084-27	Screw, #10-16 x 1/2"	4
37	104458-01	104458-01	Thermostat	1
38	M12461-18	M12461-18	Screw, #8-32 x 7/8"	2
39	104460-01	104460-01	Thermostat Knob	1
40	079998-01	099614-01	Front Handle	1
41	M12345-33	M12345-33	Screw #10-24 x 1 3/4"	8
42	107426-01	107426-01	Wheels	2
43	M28526	M28526	Nut Cap	2
44	M12342-3	M12831-3	Wheel Support Frame	1
45	NTC-3C	NTC-3C	Hex Lock Nut, #10-24	6
46	M51015-01	M16801-2	Axle	1
47	—	099614-02	Rear Handle (If Equipped)	1
	103814-01	103814-01	Wire Tie	
	HA1180	HA1180	Air Gauge Kit	
	HA2210	HA2210	Fuel Tank Filter Screen	
	HA3004	HA3004	Rotor Kit (M22456-1, M22009, M8643)	
	HA3017	HA3017	Filter Kit (M11637, M12179, M12244-1, 106896-01)	
	HA3020	HA3020	Pump Kit (M27694, M10993-1, M22997, M8940)	
	100621-08	100621-08	Thermostat Decal	1

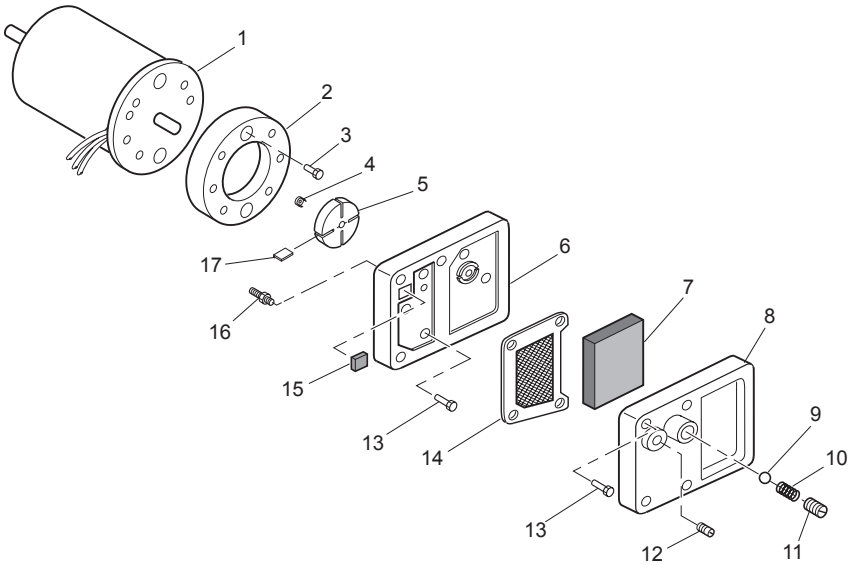
** See OPTIONAL ACCESSORIES *** Not available as an assembly.

ILLUSTRATED PARTS BREAKDOWN

MOTOR AND PUMP ASSEMBLY MODELS BC40, RC40, BC55T, RC55T, BC70T AND RC70T



MODELS BC115CT, RC115CT, BC165CT AND RC165CT



PARTS LIST

This list contains replaceable parts used in your heater. When ordering parts, be sure to provide the correct model and serial numbers (from the model plate), then the part number and description of the desired part.

MODELS BC40, RC40, BC55T, RC55T, BC70T AND RC70T

KEY NO.	PART NUMBER	DESCRIPTION	QTY.
1	102001-01	Motor (40 & 55T)	1
	102001-20	Motor (70T)	
2	079975-02	Pump Body (40 & 70T)	1
	079975-03	Pump Body (55T)	
3	M22009*, **	Insert	1
4	M22456-1*	Rotor (40 & 70T)	1
	M22456-2**	Rotor (55T)	1
5	M29608	Pump End Cover	1
6	M29632***	Lint Filter	1
7	M29633***	Intake Filter	1
8	M29609	Filter End Cover	1
9	M12461-31	Screw, #10-32 x 1"	3
10	M27694 ∞	Adjusting Screw	1
11	M10993-1 ∞	Pressure Relief Spring	1
12	M22997 ∞	Plug	1
13	M8940 ∞	Steel Ball, 1/4" Diameter	1
14	M29612-01***	Output Filter	1
15	M12461-31	Screw, #10-32 x 1" (40 & 70T)	6
	M12461-32	Screw, #10-32 x 1 1/8" (55T)	6
16	103676-01	Nylon Elbow, 90°	1
17	M8643*	Blade (40 & 70T)	4
	M8643-2**	Blade (55T)	4
18	FHPF3-5C	Screw (40 & 70T)	2
	FHPF3-6C	Screw (55T)	2

* Included in Rotor Kit (Part No. HA3004) ∞ Included in Pump Adjustment Kit (Part No.

** Included in Rotor Kit (Part No. HA3005) HA3020)

*** Included in Filter Kit (Part No. HA3014)

MODELS BC115CT, RC115CT, BC165CT AND RC165CT

KEY NO.	PART NUMBER	DESCRIPTION	QTY.
1	102001-30	Motor	1
2	079975-02	Pump Body	1
3	FHPF3-5C	Screw, #10-32 x 5/8"	2
4	M22009**	Rotor Insert	1
5	M22456-1**	Pump Rotor	1
6	M50545	Pump End Cover	1
7	M12179**	Intake Filter	1
8	M16545	Filter End Cover	1
9	M8940**	Steel Ball, 1/4" Diameter	1
10	M10993-1**	Relief Spring	1
11	M27694**	Adjusting Screw	1
12	M22997**	Plug	1
13	M12461-31	Screw, #10-32 x 1"	10
14	M12244-1**	Output Filter	1
15	M11637**	Lint Filter	1
16	M50820-02	Barb Fitting	1
17	M8643**	Blade	4

** Included in Rotor Kit (Part No. HA3004)

SPECIFICATIONS

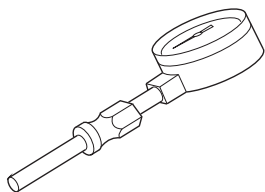
Model Size	40	55T	70T	115T	165T
Output Rating (Btu/Hr)	40,000	55,000	70,000	115,000	165,000
Fuel	Use only kerosene, #1/#2 diesel/fuel oil, JET A or JP-8 fuels*				
Fuel Tank Capacity (U.S. Gal./Liters)	3/11.3	5/18.9	5/18.9	9/34	13.5/51
Fuel Consumption (Gal. Per Hr/Liters Per Hr)	.3/1.14	.44/1.67	.52/1.97	.85/3.00	1.2/4.54
Pump Pressure (psi)	3.0	3.4	4.7	5.1	5.6
Electric Requirements	120 V/60 HZ (Same All Models)				
Amperage (Normal Run)	2.0	2.0	2.8	3.6	3.6
Motor RPM	1725	1725	3440	3440	3440
Hot Air Output (CFM)	170	180	360	490	575
Shipping Weight (Approximate lbs./kg)	32/14.5	35/15.9	35/15.9	54/24.5	65/29.5
Heater Weight without Fuel (Approximate lbs./kg)	28/12.2	30/14	30/14	46/21	55/25

* Use of #2 diesel & fuel oil will result in noticeable odor and could require additional fuel filter maintenance. Use in extreme cold temperatures may require nontoxic anti-icer additives.

ACCESSORIES

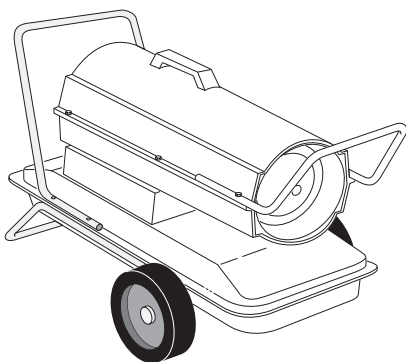
Heater accessories and parts are available at your local dealer. Should your dealer not stock or is unable to order a particular accessory or part, please contact DESA Industries for more information.

DESA Industries of Canada, Inc.
2220 Argentia Road, Unit #4
Mississauga, Ontario L5N 2K7
Parts Department
1-905-826-8010



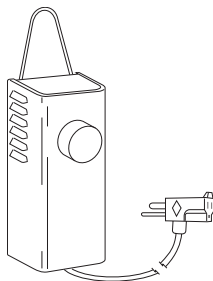
AIR GAUGE KIT - HA1180

For all models. Special tool to check pump pressure.



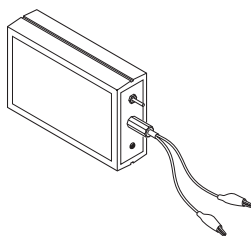
HEAVY DUTY WHEELS AND HANDLE KIT - HA1202

For heavy duty applications. Makes your heater even more portable and convenient. Fits 40/55T/70T models.



THERMOSTAT KIT - HA1210

For 40 model. Keeps your building at the temperature you select day and night. Helps economize on fuel.



IGNITION CONTROL ASSEMBLY/ PHOTOCELL TESTER - HA1170

Special tool used to test the ignition control assembly and photocell.

WARRANTY AND REPAIR SERVICE

KEEP THIS WARRANTY

Model No. _____

Serial No. _____

Date of Purchase _____

(To be filled in by purchaser)

LIMITED WARRANTY

DESA Industries warrants this product and any parts thereof, to be free from defects in materials and workmanship for one (1) year from the date of first purchase when operated and maintained in accordance with instructions. This warranty is extended only to the original retail purchaser, when proof of purchase is provided.

This warranty covers only the cost of parts and labor required to restore the product to proper operating condition. Transportation and incidental costs associated with warranty repairs are not reimbursable under this warranty.

Warranty service is available only through authorized dealers and service centers.

This warranty does not cover defects resulting from misuse, abuse, negligence, accidents, lack of proper maintenance, normal wear, alteration, modification, tampering, contaminated fuels, repair using improper parts, or repair by anyone other than an authorized dealer or service center. Routine maintenance is the responsibility of the owner.

THIS EXPRESS WARRANTY IS GIVEN IN LIEU OF ANY OTHER WARRANTY EITHER EXPRESSED OR IMPLIED, INCLUDING WARRANTIES OF MERCHANTABILITY AND FITNESS FOR A PARTICULAR PURPOSE.

DESA Industries assumes no responsibility for indirect, incidental or consequential damages. Some states do not allow the exclusion or limitation of incidental or consequential damages or limitations or exclusions may not apply to you. This Limited Warranty gives you specific legal rights and you may also have other rights which vary from province to province.

WARRANTY SERVICE

Should your heater require service, return it to your nearest authorized service center. Proof of purchase must be presented with the heater. The heater will be inspected. A defect may be caused by faulty materials or workmanship. If so, DESA Industries will repair or replace the heater without charge.

REPAIR SERVICE

Return the heater to your nearest authorized service center. Each Service Center is independently owned and operated. Repairs not covered by the warranty will be billed at standard prices. We reserve the right to amend these specifications at any time without notice.

Illustrated parts lists can be obtained free of charge. Send a self-addressed stamped envelope to the address listed below. List the heater model number and the date located in the lower right corner of this page. A service manual may be purchased from the address listed below. Send a cheque for \$5.00 payable to DESA Industries.

When writing for information regarding your heater, be sure to include the model number and serial number as shown on the model plate.

DESA™

INDUSTRIES OF CANADA, INC.

2220 Argentia Road, Unit #4

Mississauga, Ontario L5N 2K7

(905) 826-8010

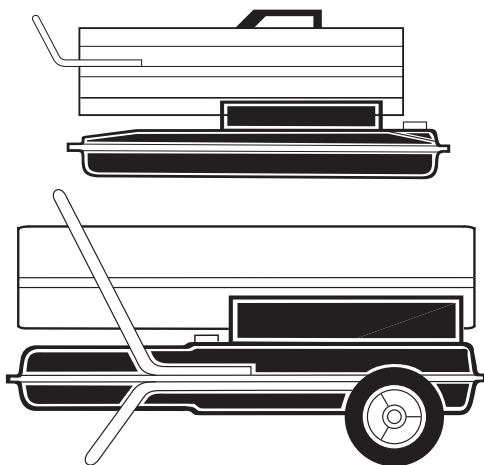
Fax (905) 826-8236

Printed in USA

Download from Www.Somanuals.com. All Manuals Search And Download.



**APPAREILS DE CHAUFFAGE PORTATIFS
CANADIENS À AIR FORCÉ
GUIDE DU PROPRIÉTAIRE**



MODÈLES: BC40, RC40, BC55T, RC55T, BC70T, RC70T, BC115CT, RC115CT, BC165CT ET RC165CT

IMPORTANT : Assurez-vous d'avoir lu et compris ce guide avant de commencer à monter, utiliser ou réparer cet appareil. Une mauvaise utilisation de cet appareil pourrait causer des blessures graves. Gardez ce guide pour vous y reporter plus tard.

TABLE DES MATIÈRE

Informations Sur La Sécurité.....	2	Calendrier d'entretien.....	7
Deballage.....	2	Diagnostic des pannes.....	8
Nomenclature des pieces principales.....	3	Entretien marche a suivre.....	9
Montage.....	4	Schemas electriques.....	15
Principes de fonctionnement.....	5	Vue détaillée et liste des pièces.....	16
Combustibles.....	5	Fiche technique.....	24
Ventilation.....	6	Accessoires.....	25
Fonctionnement.....	6	Ntie et service apres-vente.....	Couverture arrière
Entreposage, transport ou expédition.....	7		



**Conservez le présent manuel pour consultation future.
Pour en savoir davantage, visitez le www.desatech.com**

INFORMATIONS SUR LA SÉCURITÉ

IMPORTANT : Veuillez lire ce guide attentivement et complètement avant d'essayer de monter, de faire fonctionner ou de réparer cet appareil. Son utilisation incorrecte pourrait causer des blessures graves ou la mort à la suite de brûlures, d'incendie, d'explosion, de chocs électriques et d'intoxication par l'oxyde de carbone.

⚠ DANGER : L'intoxication par l'oxyde de carbone risque d'entraîner la mort !

Les signes précurseurs de l'intoxication par l'oxyde de carbone ressemblent à ceux de la grippe : maux de tête, vertiges et/ou nausée. Si vous ressentez ces symptômes, il se peut que l'appareil de chauffage ne fonctionne pas correctement. **Allez immédiatement respirer de l'air frais!** Faites réparer l'appareil de chauffage. Certaines personnes (comme les femmes enceintes, celles souffrant de maladies du cœur ou des poumons, celles ayant de l'anémie, celles étant sous l'influence de l'alcool, celles se trouvant à haute altitude) sont plus affectées que d'autres par l'oxyde de carbone.

Assurez-vous d'avoir lu et compris tous les avertissements. Gardez ce guide pour vous y reporter plus tard. Il est essentiel pour l'utilisation sécuritaire et correcte de cet appareil de chauffage.

1. Utiliser uniquement du kérosène, du mazout/carburant diesel NO 1 ou NO 2, des Carburateurs A ou JP-8.
2. Branchez-le sur une prise de tension et de fréquence qui correspond à celles indiquées sur la plaque signalétique.
3. L'appareil de chauffage doit être mis à la terre. Ne vous servez que d'une rallonge à trois fils. Ne le branchez que dans une prise de courant reliée à la terre.
4. N'utilisez pas l'appareil dans des endroits qui contiennent des vapeurs inflammables, ou poussiéreux.
5. La distance minimale de l'appareil de tout matériau combustible est de 244 cm (8 pieds) pour la sortie d'air chaud; de 183 cm (6 pieds) pour le dessus et de 61 cm (2 pieds) pour les côtés et l'entrée.

6. Pour éviter les risques d'incendie lorsque l'appareil fonctionne ou est chaud, il doit être sur une surface ferme et plate.
7. Ne le faites fonctionner que dans des endroits bien aérés. Assurez un espace ouvert d'au moins 0,3 m² (3 pieds carrés) pour chaque 100 000 Btu de rendement.
8. Ne laissez jamais les enfants ou les animaux domestiques s'approcher de l'appareil de chauffage.
9. N'allumez jamais l'appareil si la chambre de combustion est chaude ou si du combustible s'y est accumulé.
10. Avec un thermostat, l'appareil peut s'allumer sans préavis.
11. Pour éviter les renversements de combustible lorsque l'appareil est déplacé ou entreposé, il doit se trouver de niveau.
12. Utilisez l'appareil uniquement en suivant les règlements et les codes locaux.
13. Ne vous servez jamais d'essence, d'huile de vidange, de naphte, de térébenthine, d'alcool, ou de tout autre combustible très inflammable.
14. N'allumez jamais l'appareil dans un endroit contenant des vapeurs d'essence, du diluant à peinture, ou tout autre produit inflammable.
15. N'utilisez jamais l'appareil à des fins domestiques ou dans une chambre à coucher.
16. Ne laissez jamais l'appareil branché sans la présence d'un adulte lorsqu'il y a possibilité que des enfants ou des animaux s'en approchent.
17. N'effectuez aucune intervention d'entretien, ne remplissez jamais le réservoir et ne déplacez pas l'appareil s'il est chaud, en marche, ou branché.
18. Ne bloquez jamais l'entrée d'air arrière (côté moteur).
19. Ne montez jamais de gaine à l'avant de l'appareil.
20. Ne branchez jamais l'appareil à un réservoir auxiliaire.

DEBALLAGE

1. Retirez tous les emballages de protection utilisés pour le transport.
2. Retirez l'appareil de la boîte.
3. Vérifiez l'état de l'appareil. S'il est endommagé, avertissez immédiatement le concessionnaire qui vous l'a vendu.

NOMENCLATURE DES PIÈCES PRINCIPALES

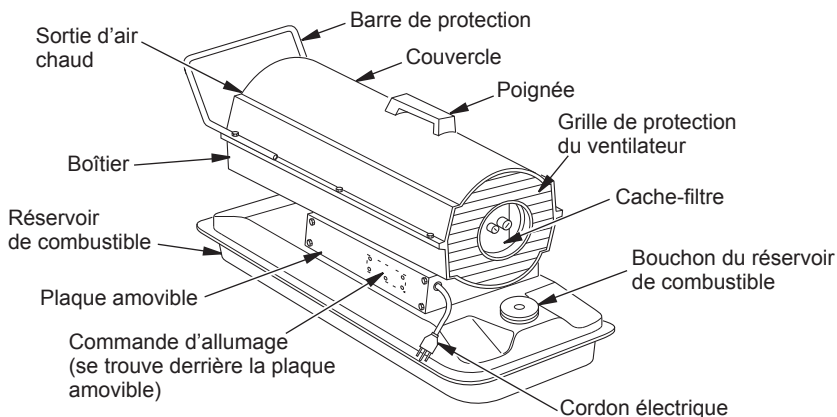


Figure 1 - Modèle 40

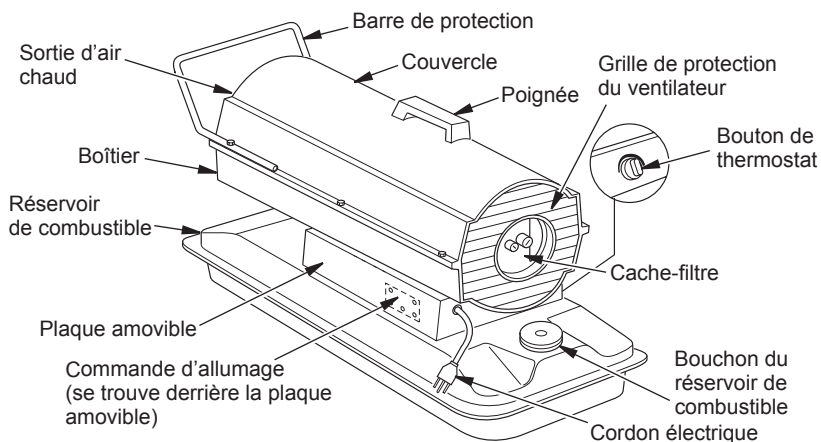


Figure 2 - Modèles 55T/70T

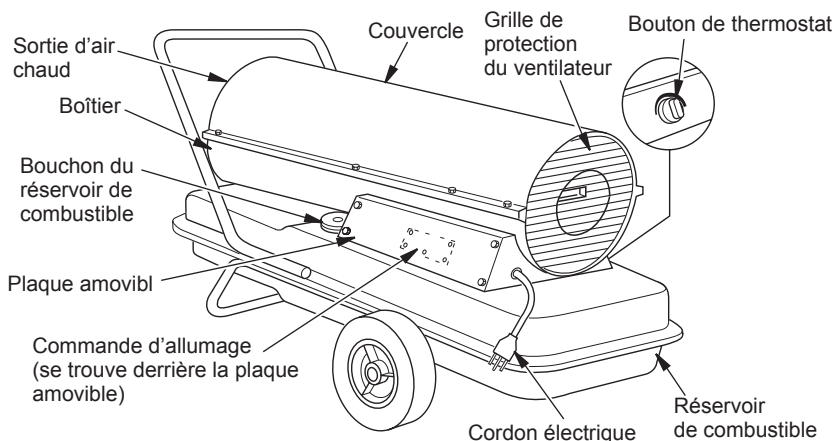


Figure 3 - Modèles 115T/165T

MONTAGE

(POUR LE MODÈLES 40, 55T ET 70T SEULEMENT)

Ces modèles sont livrés avec une barre de protection. Cette barre se trouve, avec ses vis de montage, dans la boîte d'emballage.

Outils nécessaires

- Clé plate ou tourne-écrous de 5/16 po
1. Placez les bras de la barre de protection sur le rebord du couvercle. Assurez-vous que la barre se trouve du côté de la sortie d'air chaud de l'appareil.
 2. Faites passer les vis dans les trous de fixation de la barre et vissez-les sur le rebord du couvercle.
 3. Serrez les vis fermement.

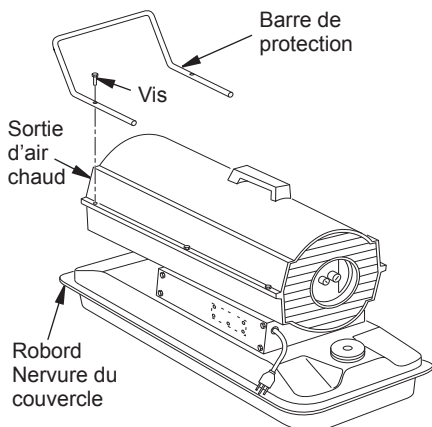


Figure 4 - Montage de la barre de protection, modèles 40, 55T et 70T seulement

(POUR LES MODÈLES 100 ET 150 SEULEMENT)

Ces modèles sont livrés avec des roues et un guidon pour la partie avant. Certains modèles sont également livrés avec un guidon arrière. Les roues et le(s) guidon(s) se trouvent dans la boîte d'emballage.

Outils nécessaires

- Tournevis cruciforme de taille moyenne
 - Clé plate ou clé à molette de 3/8 po
 - Marteau
1. Faites passer l'axe au travers des alésages du berceau. Installez les roues sur l'axe.
IMPORTANT: Installez les roues avec les moyeux tournés vers le berceau.
 2. Engagez un capuchon sur chaque bout de l'axe. Tapez légèrement pour bien les mettre en place.
 3. Placez l'appareil sur le berceau en vous assurant que l'entrée d'air se trouve au-dessus des roues.
 4. Placez le guidon avant sur le rebord du réservoir. Faites passer les vis au travers des trous du guidon, du rebord du réservoir et du berceau. Serrez un écrou à la main sur chaque vis.
 5. Serrez fermement tous les écrous à la clé.

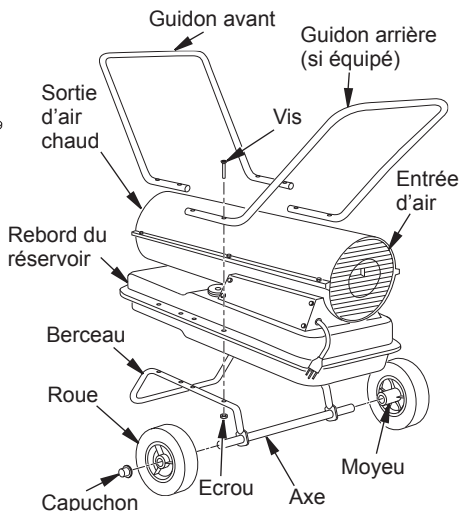


Figure 5 - Montage des roues et des guidons, modèles 115T et 165T seulement

PRINCIPES DE FONCTIONNEMENT

Circuit d'alimentation en combustible : La pompe à air force l'air dans la conduite d'air. L'air est alors poussé à travers la buse. Cela provoque la montée du combustible du réservoir. Un fin brouillard de combustible est vaporisé dans la chambre de combustion.

Circuit d'air : Le moteur fait tourner le ventilateur. Celui-ci pousse l'air dans la chambre de combustion et autour d'elle. L'air est chauffé et produit un courant d'air propre chaud.

Dispositif d'allumage : La commande d'allumage met l'allumeur sous tension. Cela allume le mélange combustible-air dans la chambre de combustion.

Système détecteur d'extinction de flamme : Provoque l'arrêt de l'appareil de chauffage si la flamme s'éteint.

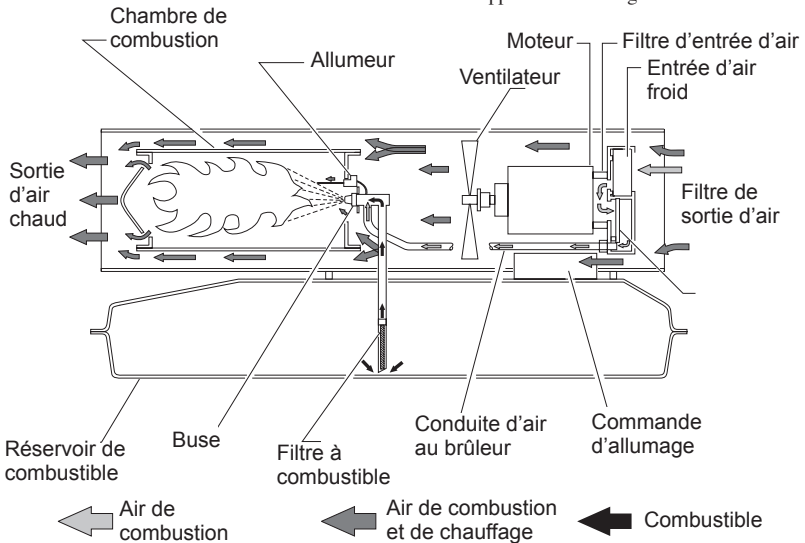


Figure 6 - Coupe, principe de fonctionnement

COMBUSTIBLES

AVERTISSEMENT : Pour éviter les risques d'incendie ou d'explosion, utilisez seulement du kérosène ou du mazout/carburant diesel no 1 et no 2. Ne vous servez jamais d'essence, d'huile de vidange, de naphte, de diluant à peinture, d'alcool ou de tout autre combustible très inflammable.

Utilisez seulement du kérosène ou du mazout/carburant diesel no 1 et no 2, des carburateurs A ou JP-8. Les huiles plus lourdes comme le mazout no 2 ou le carburant diesel no 2 peuvent également être utilisées, mais elles occasionneront :

- des odeurs perceptibles
- l'entretien supplémentaire du filtre de carburant
- le besoin d'ajouter des additifs antigivrants non toxiques à des températures très froides

N'utilisez pas d'huiles plus lourdes que le grade no 2 ou des huiles lourdes qui proviennent de la vidange des moteurs. Ces huiles lourdes ne s'enflammeront pas bien et contamineront l'appareil.

IMPORTANT : Utilisez un récipient de stockage pour KÉROSÈNE SEULEMENT (bleu) ou pour DIESEL SEULEMENT (jaune). Assurez-vous que le récipient de stockage est propre. Toute matière étrangère, telle que la rouille, la saleté ou l'eau, provoquera l'arrêt de l'appareil de chauffage par la commande d'allumage. Ces matières risquent également d'engendrer un nettoyage fréquent du système d'alimentation à combustible de l'appareil.

VENTILATION

AVERTISSEMENT : Prévoyez une ouverture d'au moins 2800 cm² (3 pi²) pour l'air frais extérieur pour chaque 29,3 kW (100 000 BTU/h) de capacité. Dans les cas où plus d'un appareil est utilisé, prévoir une entrée d'air supérieure pour éviter les risques d'asphyxie par oxyde de carbone. Respectez les règles minimales de ventilation. Assurez-vous que ces règles sont bien suivies avant de faire fonctionner l'appareil.

Exemple: Un modèle 165 doit opérer dans les conditions suivantes:

- Une porte de garage pour deux voitures (ouverture de 4,88 m [16 pi] de large) relevée de 10,16 cm (4 po)
- Une porte de garage pour une seule voiture (ouverture de 2,74 m [9 pi] de large) relevée de 17,78 cm (7 po)
- Deux fenêtres de 76,20 cm (30 po) relevée de 30,48 cm (12 po)

FONCTIONNEMENT

IMPORTANT : Réviser et assurez-vous de comprendre les avertissements qui se trouvent dans les notes sur la sécurité. Lorsque vous vous servez de cet appareil de chauffage. Respectez tous les règlements locaux et les normes régissant l'emploi de cet appareil.

MISE EN MARCHÉ

1. Suivez toutes les recommandations de ventilation et de sécurité.
2. Pour remplir le réservoir - Utiliser uniquement du kérosène, du mazout/carburant diesel NO 1 ou NO 2, des Carburateurs A ou JP-8.
3. Réviser le bouchon du réservoir.

4. Pour les modèles 55T, 70T, 115T et 165T à thermostat, tournez le bouton du thermostat vers la droite en position maximum.

5. Branchez le cordon électrique à une rallonge à trois fils avec mise à la terre. La rallonge doit avoir une longueur d'au moins 1,8 m (6 pi).

Conditions requises pour les rallonges électriques

Pour les longueurs de 1,8 à 3 m (6 à 10 pi), rallonge de calibre 18 (0,75 mm)

De 3,3 à 30,5 m (de 11 à 100 pi), rallonge de calibre 16 (1 mm)

De 30,8 à 61 m (101 à 200 pi), rallonge de calibre 14 (1,5 mm)

6. Branchez la rallonge à une prise standard de 120 volts/60 hertz avec prise de terre. *Remarque :* L'allumeur préchauffé pendant cinq secondes, puis l'appareil de chauffage démarre.

7. Pour les modèles 55T, 70T, 115T et 165T à thermostat, mettez le bouton du thermostat au réglage désiré.

Remarque : Il est possible qu'un appareil de chauffage froid affecte le réglage du thermostat. Ce thermostat est une commande de chauffage globale. Il n'est pas prévu pour un contrôle précis de la température. Réglez le thermostat jusqu'à ce que l'appareil de chauffage fonctionne au réglage désiré.

ARRÊT

Débranchez la rallonge électrique.

REMISE EN SERVICE

1. Débranchez le cordon prolongateur de la prise et attendez 10 secondes. (Attendez deux minutes si l'appareil vient de fonctionner.)
2. Répétez les opérations indiquées sous le titre *Mise en marche*.

ENTREPOSAGE, TRANSPORT OU EXPÉDITION

Remarque: les sociétés de transport exigent que les réservoirs de combustible soient vides pour l'expédition.

1. Vidanger le réservoir de combustible.
Remarque: certains modèles sont équipés d'un bouchon de vidange au-dessous du réservoir. Le cas échéant, le retirer pour vidanger le réservoir. Si l'appareil de chauffage n'en est pas équipé, vidanger le réservoir par l'orifice de remplissage. Veiller à vider complètement le réservoir.
2. Le cas échéant, remplacer le bouchon de vidange.
3. Si le vieux carburant contient des impuretés, ajouter 1 ou 2 litres de kérosène propre,

remuer et vidanger à nouveau afin d'éviter que l'accumulation d'impuretés n'obstrue les filtres lors d'un futur usage.

4. Remettre le bouchon de vidange ou de remplissage. Mettre le vieux carburant sale au rebut selon une méthode appropriée. Se renseigner auprès d'une station-service locale qui recycle l'huile.
5. Entreposer l'appareil de chauffage dans un endroit sec, à l'abri de la poussière et des vapeurs corrosives.

IMPORTANT : ne pas entreposer le kérosène pour la durée de l'été en vue de l'utiliser la saison suivante. L'usage de combustible défraîchi pourrait endommager l'appareil de chauffage.

CALENDRIER D'ENTRETIEN



AVERTISSEMENT : Pour éviter les risques de brûlure et de chocs électriques, n'effectuez aucune opération d'entretien sur l'appareil de chauffage lorsqu'il est branché, fonctionne, ou est chaud.

Élément	Périodicité	Opération
Réservoir	Rincez toutes les 150-200 heures de fonctionnement ou suivant les besoins	Voir chapitre <i>Entreposage, Transport ou Expédition</i>
Filtre de sortie d'air et filtre à poussière	Remplacez toutes les 500 heures de fonctionnement ou une fois par an	Voir <i>Filtres de sortie d'air, d'entrée d'air et à poussière</i> , page 10
Filtre d'entrée d'air	Lavez à l'eau savonneuse et séchez toutes les 500 heures de fonctionnement ou remplacez au besoin	Voir <i>Filtres de sortie d'air, d'entrée d'air et à poussière</i> , page 10
Filtre à combustible	Nettoyez deux fois par saison de chauffage ou remplacez au besoin	Voir <i>Filtre à combustible</i> , page 11
Allumeur	Aucun entretien requis	
Ventilateur	Nettoyez chaque saison ou au besoin	Voir <i>Bougie</i> , page 9
Moteur	Pas d'entretien/lubrification permanente	

DIAGNOSTIC DES PANNES

⚠ AVERTISSEMENT : Pour éviter les risques de brûlure et de chocs électriques, n'effectuez aucune opération d'entretien sur l'appareil de chauffage lorsqu'il est branché, fonctionne, ou est chaud.

ANOMALIE	CAUSE POSSIBLE	REMEDE
Le moteur ne démarre pas dans les cinq secondes après le branchement de l'appareil de chauffage	<ol style="list-style-type: none"> 1. L'appareil n'est pas sous tension 2. Le réglage du thermostat est trop bas 	<ol style="list-style-type: none"> 1. Vérifiez le coupe-circuit du panneau électrique 2. Tournez le bouton du thermostat à une position plus haute.
⚠ AVERTISSEMENT : Haute tension!		
	<ol style="list-style-type: none"> 3. Mauvaise connexion électrique entre le moteur et la commande d'allumage ou entre la commande d'allumage et le cordon d'alimentation 4. Grippage du rotor de la pompe 5. Commande d'allumage défectueuse 6. Moteur défectueux 	<ol style="list-style-type: none"> 3. Vérifiez tous les branchements électriques. Voir <i>Schémas électriques</i>, page 15 4. Si le ventilateur ne tourne pas aisément, voir <i>Rotor de la pompe</i>, page 14 5. Remplacez la commande d'allumage 6. Remplacez le moteur
Le moteur démarre et tourne, mais l'appareil ne s'allume pas	<ol style="list-style-type: none"> 1. Pas de combustible dans le réservoir 2. Pression incorrecte de la pompe 3. Filtre à combustible sale 4. Obstruction dans la buse 5. Eau dans le réservoir de combustible 	<ol style="list-style-type: none"> 1. Remplissez le réservoir avec du kérosène 2. Voir <i>Réglage de la pression de la pompe</i>, page 10 3. Voir <i>Filtre à combustible</i>, page 11 4. Voir <i>Buse</i>, page 12 5. Vidangez et rincez le réservoir de combustible avec du kérosène propre. Voir <i>Entreposage, transport ou expédition</i>, page 7
⚠ AVERTISSEMENT : Haute tension!		
	<ol style="list-style-type: none"> 6. Mauvaise connexion électrique entre l'allumeur et la commande d'allumage 7. Allumeur défectueux 8. Commande d'allumage défectueuse 	<ol style="list-style-type: none"> 6. Vérifiez les connexions électriques. Voir <i>Schémas électriques</i>, page 15 7. Remplacez l'allumeur, page 11 8. Remplacez la commande d'allumage
L'appareil s'allume mais la commande d'allumage l'arrête après peu de temps	<ol style="list-style-type: none"> 1. Pression incorrecte de la pompe 2. Filtres d'entrée d'air, de sortie d'air et/ ou à poussière sales 3. Filtre à combustible sale 4. Obstruction dans la buse 5. Cellule photoélectrique mal installée (ne détecte pas la flamme) 6. Lentille de cellule photoélectrique sale 	<ol style="list-style-type: none"> 1. Voir <i>Réglage de la pression de la pompe</i>, page 10 2. Voir <i>Filtres de sortie d'air, d'entrée d'air et à poussière</i>, page 10 3. Voir <i>Filtre à combustible</i>, page 11 4. Voir <i>Buse</i>, page 12 5. Assurez-vous que l'enveloppe de la cellule photoélectrique est bien logée dans le support. 6. Nettoyez la lentille de la cellule photoélectrique
⚠ AVERTISSEMENT : Haute tension!		
	<ol style="list-style-type: none"> 7. Mauvaise connexion électrique entre la cellule photoélectrique et la commande d'allumage 8. Cellule photoélectrique défectueuse 9. Commande d'allumage défectueuse 	<ol style="list-style-type: none"> 7. Vérifiez les connexions électriques. Voir <i>Schémas électriques</i>, page 15 8. Remplacez la cellule photoélectrique 9. Remplacez la commande d'allumage

ENTRETIEN MARCHÉ A SUIVRE

AVERTISSEMENT : Pour éviter les risques de brûlure et de chocs électriques, n'effectuez aucune opération d'entretien sur l'appareil lorsqu'il est branché, fonctionne, ou est chaud.

DÉMONTAGE DU COUVERCLE

1. En se servant d'un tourne-écrou de 5/16 po, retirez les vis qui se trouvent de chaque côté du couvercle. Ces vis retiennent le couvercle sur le boîtier (voir Figure 7 ou 8).
2. Levez le couvercle.
3. Retirez la grille de protection du ventilateur.

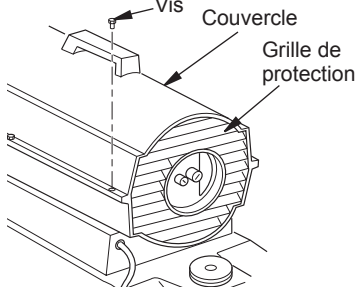


Figure 7 - Dépose du couvercle (Modèles 40, 55T, et 70T)

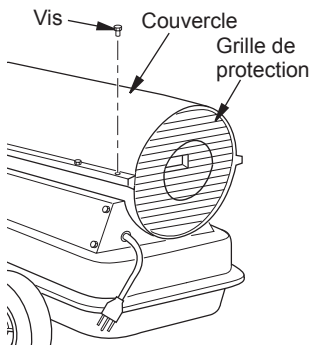


Figure 8 - Dépose du couvercle (Modèles 115T et 165T)

VENTILATEUR

IMPORTANT: Retirez le ventilateur de l'arbre du moteur avant de retirer ce dernier de l'appareil. Le poids du moteur sur le ventilateur pourrait fausser les pales (voir Figure 9).

1. Déposez le couvercle (voir Figure 7 ou 8).
2. Utilisez une clé six pans de 1/8 po pour desserrer les vis de blocage qui retiennent le ventilateur sur l'axe du moteur.
3. Retirez le ventilateur de l'axe du moteur.
4. Nettoyez le ventilateur avec un chiffon propre préalablement mouillé avec du kérosène ou un diluant.
5. Faites sécher le ventilateur complètement.
6. Remontez le ventilateur sur l'axe du moteur. Placez le moyeu du ventilateur à l'affleurement de l'arbre (voir Figure 10).
7. Positionnez les vis de blocage sur le méplat de l'arbre. Serrez-les fermement (de 4,5 à 5,6 N.m/40 à 50 po-lb).
8. Remontez la grille de protection du ventilateur et le couvercle.

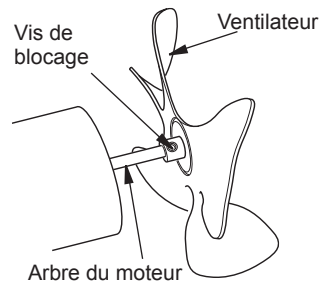


Figure 9 - Position du ventilateur, de l'arbre du moteur et des vis de blocage

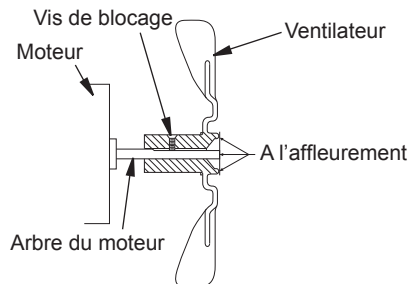


Figure 10 - Coupe du ventilateur

ENTRETIEN MARCHÉ A SUIVRE *Suite*

FILTRES DE SORTIE D'AIR, D'ENTRÉE D'AIR ET À POUSSIÈRE

1. Déposez le couvercle (voir Figure 7 ou 8, page 9).
2. En utilisant un tourne-écrou de 5/16 po démontez les vis de fixation du cache-filtre (voir Figure 11 ou 12).
3. Retirez le cache-filtre.
4. Remplacez les filtres de sortie d'air et à poussière.
5. Lavez ou remplacez le filtre d'entrée d'air (voir *Calendrier d'entretien*, page 7).
6. Remontez le cache-filtre.
7. Remontez la grille de protection du ventilateur et le couvercle.

IMPORTANT: Ne pas huiler les filtres.

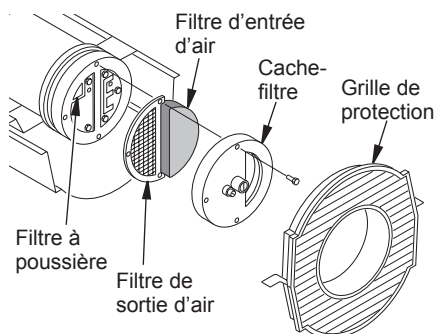


Figure 11 - Filtrés de sortie et d'entrée d'air et filtre à poussière, modèles 40/55T/70T

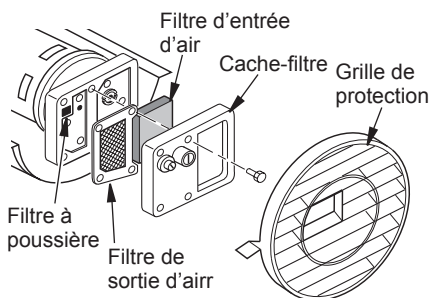


Figure 12 - Filtrés de sortie et d'entrée d'air et filtre à poussière, modèles 115T/165T

RÉGLAGE DE LA PRESSION DE LA POMPE

1. Retirez le bouchon fileté qui se trouve sur le cache-filtre (voir Figure 13).
2. Monter le manomètre (référence HA1180).
3. Allumez l'appareil (voir *Fonctionnement*, page 6). Attendez que le moteur atteigne sa vitesse maximale.
4. Réglez la pression. Pour augmenter la pression, tournez le clapet de décharge vers la droite. Pour la diminuer tournez-le vers la gauche. Consultez les données qui se trouvent à droite pour la pression requise par chaque modèle (voir Figure 14).
5. Retirez le manomètre et remontez le bouchon sur le cache-filtre.

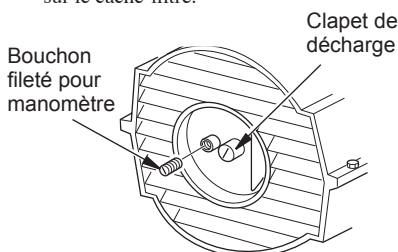


Figure 13 - Dépose du bouchon fileté (Modèles 40/55T/70T seulement)

Modèle	Pression de la pompe
40	20,7 kPa (3 psi)
55T	23,4 kPa (3,4 psi)
70T	32,4 kPa (4,7 psi)
115T	35,2 kPa (5,1 psi)
165T	38,6 kPa (5,6 psi)

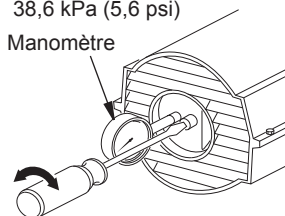


Figure 14 - Réglage de la pression de la pompe (Modèles 40/55T/70T seulement)

ENTRETIEN MARCHÉ A SUIVRE *Suite*

FILTRE À COMBUSTIBLE

1. Avec un tourne-écrou de 5/16 portez les vis de fixation de la plaque amovible.
2. Déposez la plaque amovible.
3. Détachez la conduite de combustible supérieure de l'embase du filtre (voir Figure 15 ou 16).
4. Soulevez soigneusement la bague, le filtre et la conduite inférieure de combustible (modèles 115T/165T seulement) du réservoir (voir Figure 16).
5. Lavez le filtre avec du combustible propre et remplacez l'ensemble dans le réservoir.
6. Remettez la conduite de combustible supérieure sur l'embase du filtre.
7. Reposez la plaque amovible.

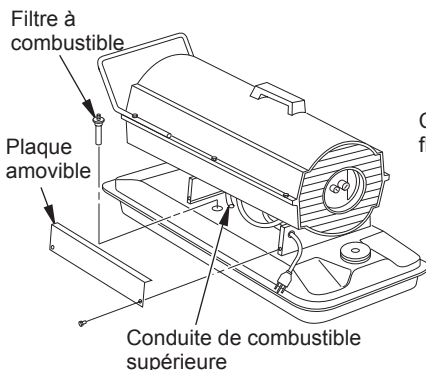


Figure 15 - Dépose du filtre à combustible, modèles 40/55T/70T

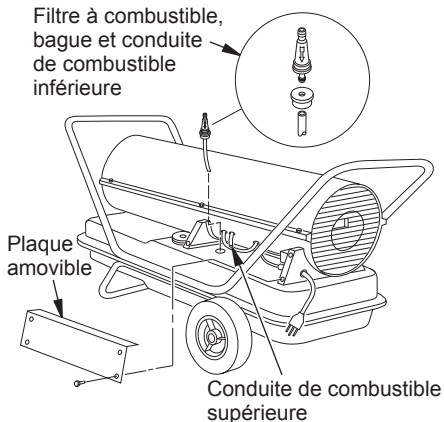


Figure 16 - Dépose du filtre de combustible, modèles 115T/165T

ALLUMEUR

1. Retirez le couvercle et la grille de protection du ventilateur (voir *Démontage du couvercle*, page 9).
2. Enlevez le ventilateur, page 9.
3. Enlevez les 4 vis de la plaque amovible avec une clé à douille de 5/16 po. Retirez la plaque amovible (voir Figures 15 et 16).
4. Débranchez les fils de l'allumeur (jaunes) de la commande d'allumage (voir Figure 17). Tirez les fils de l'allumeur vers le haut par le trou du boîtier.
5. Débranchez les conduites flexibles de combustible et d'air. Enlevez la cellule photoélectrique de son support (voir Figure 17).
6. Retirez la chambre de combustion. Posez la chambre de combustion sur l'extrémité avec le support du porte-buse en haut (voir Figure 18).

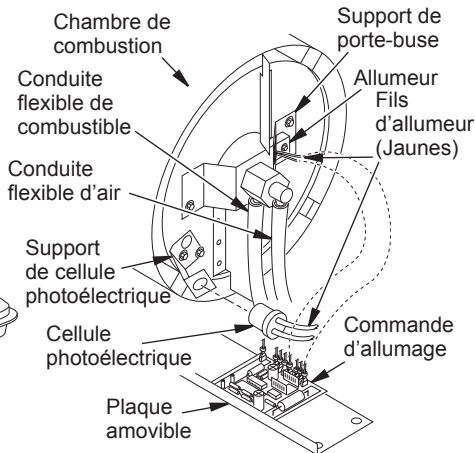


Figure 17 - Débranchement des fils de l'allumeur de la commande d'allumage

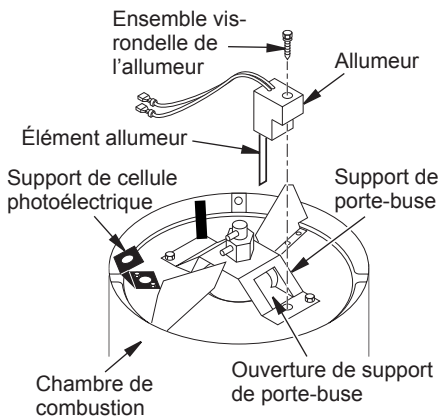


Figure 18 - Remplacement de l'allumeur

ENTRETIEN MARCHÉ A SUIVRE *Suite*

7. Enlevez la vis de l'allumeur avec une clé à douille de 1/4 po. Avec précaution, retirez l'allumeur du support du porte-buse.

⚠ ATTENTION : Évitez de plier ou de heurter l'élément allumeur. Manipulez-le avec précaution.

8. Avec précaution, enlevez l'allumeur de recharge de l'emballage en styromousse.
9. Avec précaution, guidez l'allumeur dans l'ouverture dans le support du porte-buse. Évitez de heurter l'élément allumeur. Fixez l'allumeur au support du porte-buse avec une vis à l'aide d'une clé à douille de 1/4 po (voir Figure 18). Serrez de 0,90 N.m à 1,69 N.m (8 lb-po à 15 lb-po). Ne serrez pas trop fort.
10. Remettez la chambre de combustion.
11. Ramenez les fils de l'allumeur vers le bas par le trou du boîtier. Branchez les fils à la commande d'allumage (voir Figure 17).
12. Remettez la plaque amovible (voir Figures 15 et 16, page 11).
13. Raccordez et acheminez les conduites flexibles de combustible et d'air au porte-buse. Voir *Remplacement et acheminement correct des conduites de combustible et d'air*, page 13.
14. Remettez la cellule photoélectrique dans son support. Acheminez les fils comme illustré à la Figure 19, 20 ou 21.
15. Remettez le ventilateur (voir *Ventilateur*, page 9).
16. Remettez la grille de protection du ventilateur et le couvercle (voir *Démontage du couvercle*, page 9).

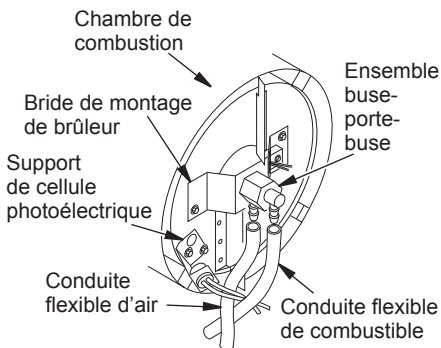


Figure 19 - Dépose des conduites flexibles de combustible et d'air (modèles 40/55T/70T uniquement)

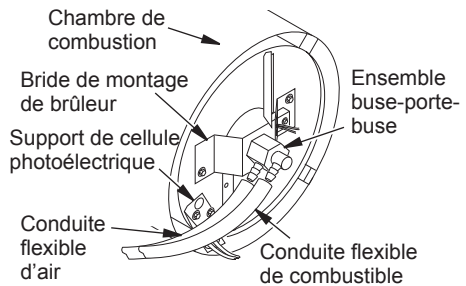


Figure 20 - Dépose des conduites flexibles de combustible et d'air (modèle 115T uniquement)

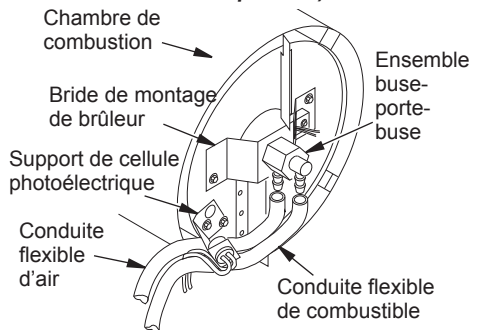


Figure 21 - Dépose des conduites flexibles de combustible et d'air (modèle 165T uniquement)

BUSE

1. Retirez le couvercle (voir *Démontage du couvercle*, page 9).
2. Retirez le ventilateur (voir *Ventilateur*, page 9).
3. Enlevez les conduites flexibles de combustible et d'air de la buse (voir Figure 19, 20 ou 21).
4. Tournez la buse d'un quart de tour vers la gauche et tirez-la vers le moteur pour l'enlever (voir Figure 22).

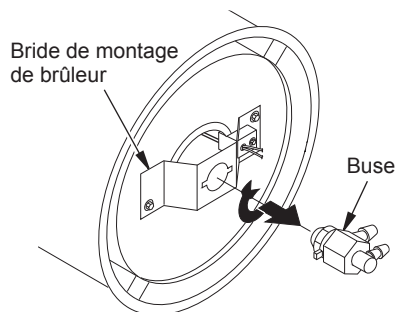


Figure 22 - Dépose de la buse, tous modèles

ENTRETIEN MARCHÉ A SUIVRE *Suite*

5. Placez le corps hexagonal en plastique dans un étau et serrez légèrement.
6. Avec précaution, enlevez la buse du porte-buse à l'aide d'une clé à douille de 5/8 po. Voir Figure 23.
7. Soufflez de l'air comprimé dans la buse par l'avant pour éliminer toutes les saletés.
8. Vérifiez que le manchon de la buse n'est pas endommagé.
9. Remettez la buse dans le porte-buse jusqu'à ce qu'elle touche le fond. Serrez d'un tiers de tour supplémentaire à l'aide d'une clé à douille de 5/8 po (de 4,5 à 5,08 N.m [40 à 45 po-lb]). Voir Figure 23.
10. Fixez la buse à l'attache de la bride de montage de brûleur (voir Figure 22).
11. Raccordez les conduites flexibles de combustible et d'air au porte-buse. Voir *Remplacement et acheminement correct des conduites de combustible et d'air*.
12. Remettez le ventilateur (voir *Ventilateur*, page 9).
13. Remettez la grille de protection du ventilateur et le couvercle (voir *Démontage du couvercle*, page 9).

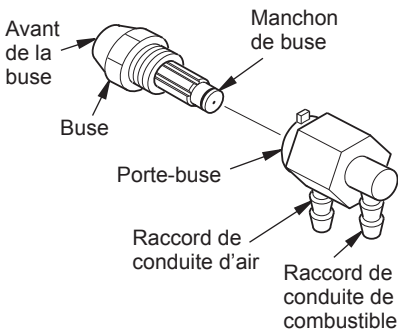


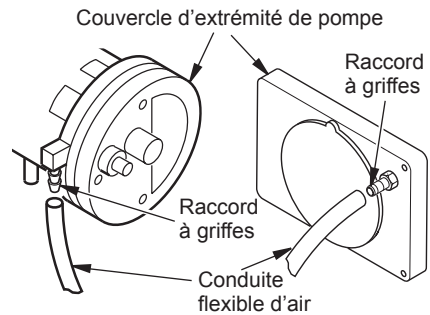
Figure 23 - Buse et porte-buse, tous modèles

REPLACEMENT ET ACHEMINEMENT CORRECT DES CONDUITES DE COMBUSTIBLE ET D'AIR

1. Retirez le couvercle (voir *Démontage du couvercle*, page 9).
2. Enlevez les vis de la plaque amovible avec une clé à douille de 5/16 po (voir Figure 15 ou 16, page 11).
3. Retirez la plaque amovible.
4. Vérifiez que les conduites flexibles de combustible et d'air ne sont ni fendillées ni trouées. Si la conduite flexible de combustible est endommagée, débranchez-la du porte-buse (voir Figure 19, 20 ou 21, page 12) et du filtre à combustible (voir *Filtre à combustible*, page 11). Si la conduite flexible d'air est endommagée, débranchez-la du porte-buse (voir Figure 19, 20 ou 21, page 12) et du raccord à griffes du couvercle d'extrémité de la pompe (voir Figure 24).
5. Installez une conduite d'air et/ ou de combustible neuve. Raccordez une extrémité de la conduite flexible d'air au raccord à griffes du couvercle d'extrémité de la pompe (voir Figure 24) et l'autre au porte-buse (voir Figure 19, 20 ou 21, page 12). Raccordez une extrémité de la conduite flexible de combustible au filtre à combustible (voir *Filtre à combustible*, page 11) et l'autre au porte-buse (voir Figure 19, 20 ou 21, page 12).

Remarque : Acheminez les conduites flexibles comme illustré à la Figure 19, 20 ou 21, page 12, selon le modèle. Elles ne doivent pas toucher le support de la cellule photoélectrique.

6. Remettez la plaque amovible.
7. Remettez le couvercle et la grille de protection du ventilateur (voir *Démontage du couvercle*, page 9).



Modèles 40/55T/70T Modèles 115T/165T

Figure 24 - Conduite flexible d'air et raccord à griffes

ENTRETIEN MARCHÉ A SUIVRE Suite

ROTOR DE LA POMPE

(Marche à suivre en cas de grippage)

1. Déposez le couvercle (voir *Démontage du couvercle*, page 9).
2. Avec un tourne-écrou de 5/16 po déposez les vis du cache-filtre (voir Figure 25 ou 26).
3. Retirez le cache-filtre et les filtres à air.
4. Avec un tourne-écrou de 5/16 po déposez les vis de fixation du couvercle de la pompe.
5. Déposez le couvercle de la pompe.
6. Déposez le rotor, la pièce noyée et les palettes.
7. Assurez-vous qu'il n'y a pas de corps étrangers dans la pompe. S'il y en a, faites-les sortir à l'aide d'air comprimé.
8. Reposez la pièce noyée et le rotor.
9. Vérifiez le jeu du rotor. Si nécessaire réglez à 0,076 à 0,101 mm (0,003 à 0,004 po)(voir Figure 27).

Remarque: Faites faire un tour complet au rotor pour vous assurer que le jeu à l'endroit le plus serré est de 0,076 à 0,101 mm (0,003 à 0,004 po). Refaites le réglage au besoin.

10. Reposez les palettes, le couvercle de la pompe, les filtres et le cache-filtre.
11. Reposez la grille de protection et le couvercle.
12. Réglez la pression de la pompe.

Remarque: Si le rotor est toujours grippé, procédez comme suit.

13. Procédez à toutes les opérations 1 à 6.
14. Placez une feuille de papier abrasif fin (600) sur une surface plate et frottez le rotor sur la feuille d'un mouvement en forme de « 8 ». Répétez quatre fois (voir Figure 30).
15. Reposez la pièce noyée et le rotor.
16. Procédez aux opérations 10 à 12.

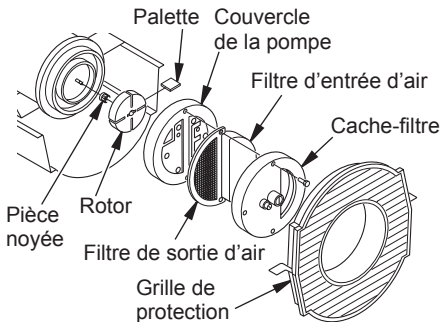


Figure 25 - Position du rotor, modèles 40/55T/70T

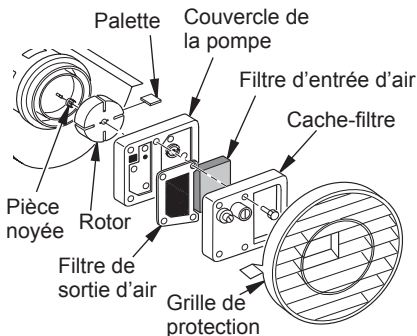


Figure 26 - Position du rotor, modèles 115T/165T

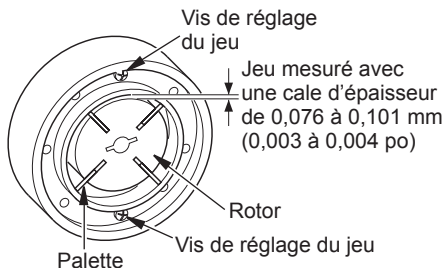


Figure 27 - Position des vis de réglage du jeu

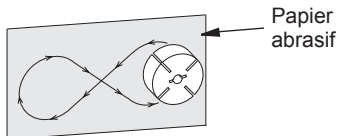


Figure 28 - Polissage du rotor

ENTRETIEN MARCHÉ A SUIVRE *Suite*

COMMANDE D'ALLUMAGE

AVERTISSEMENT : Haute tension!

1. Débranchez l'appareil de chauffage.
2. Enlevez les (4) vis de la plaque amovible avec une clé à douille de 5/16 po pour exposer la commande d'allumage (voir Figure 15 ou 16, page 11).
3. Retirez le couvercle du fusible (voir Figure 29).
4. Retirez le fusible de sa pince (voir Figure 29).
5. Remplacez le fusible par un de type et capacité identiques (GMA-10). Ne le remplacez pas par un fusible d'une capacité plus élevée.

6. Remettez le couvercle du fusible (voir Figure 29).
7. Remettez la plaque amovible (voir Figure 15 ou 16, page 11).

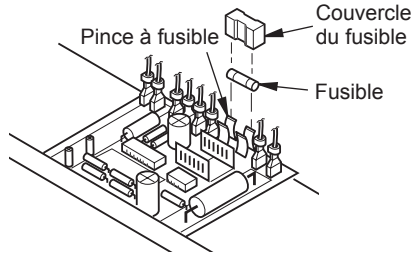


Figure 29 - Remplacement du fusible

SCHEMAS ELECTRIQUES

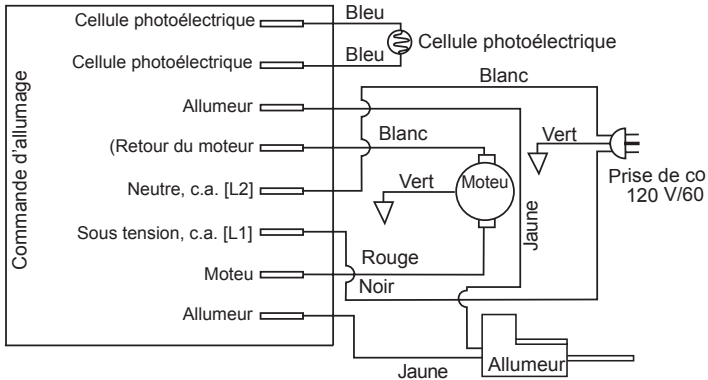


Figure 30 - Schéma électrique, modèle 40

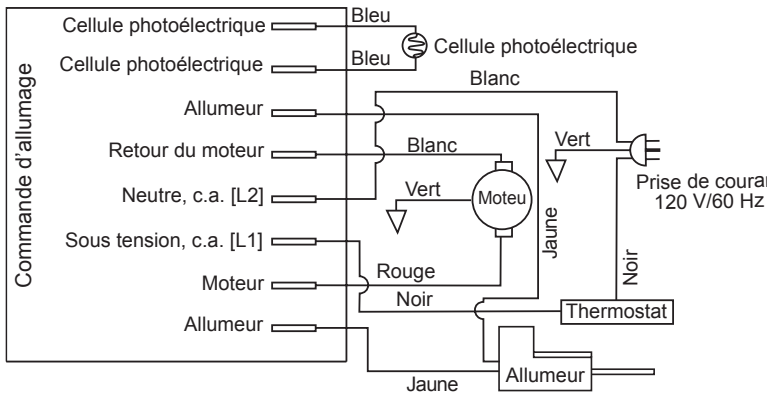
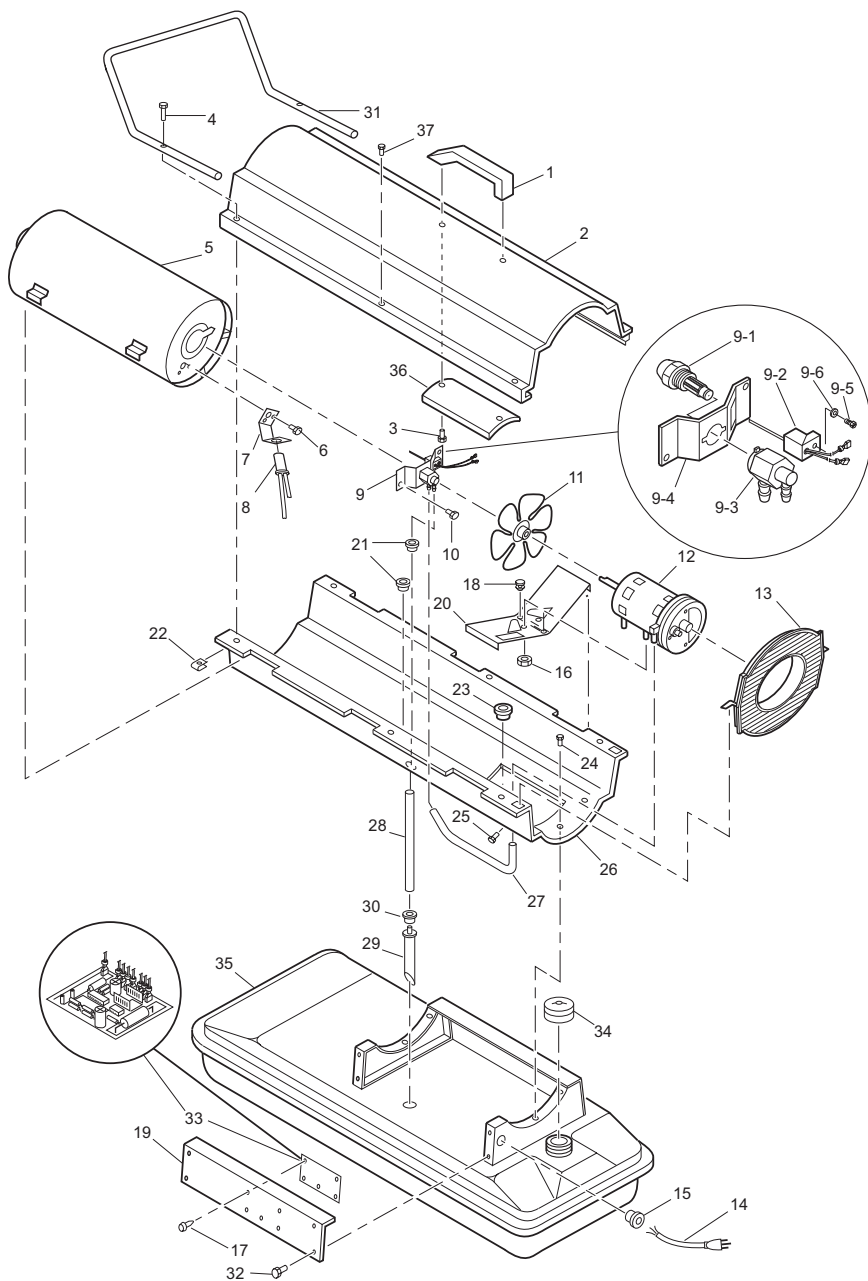


Figure 31 - Schémas électriques pour les modèles 55T/70T/115T/165T à thermostat

VUE DÉTAILLÉE DES PIÈCES

MODÈLES BC40 ET RC40



LISTE DES PIÈCES

MODÈLES BC40 ET RC40

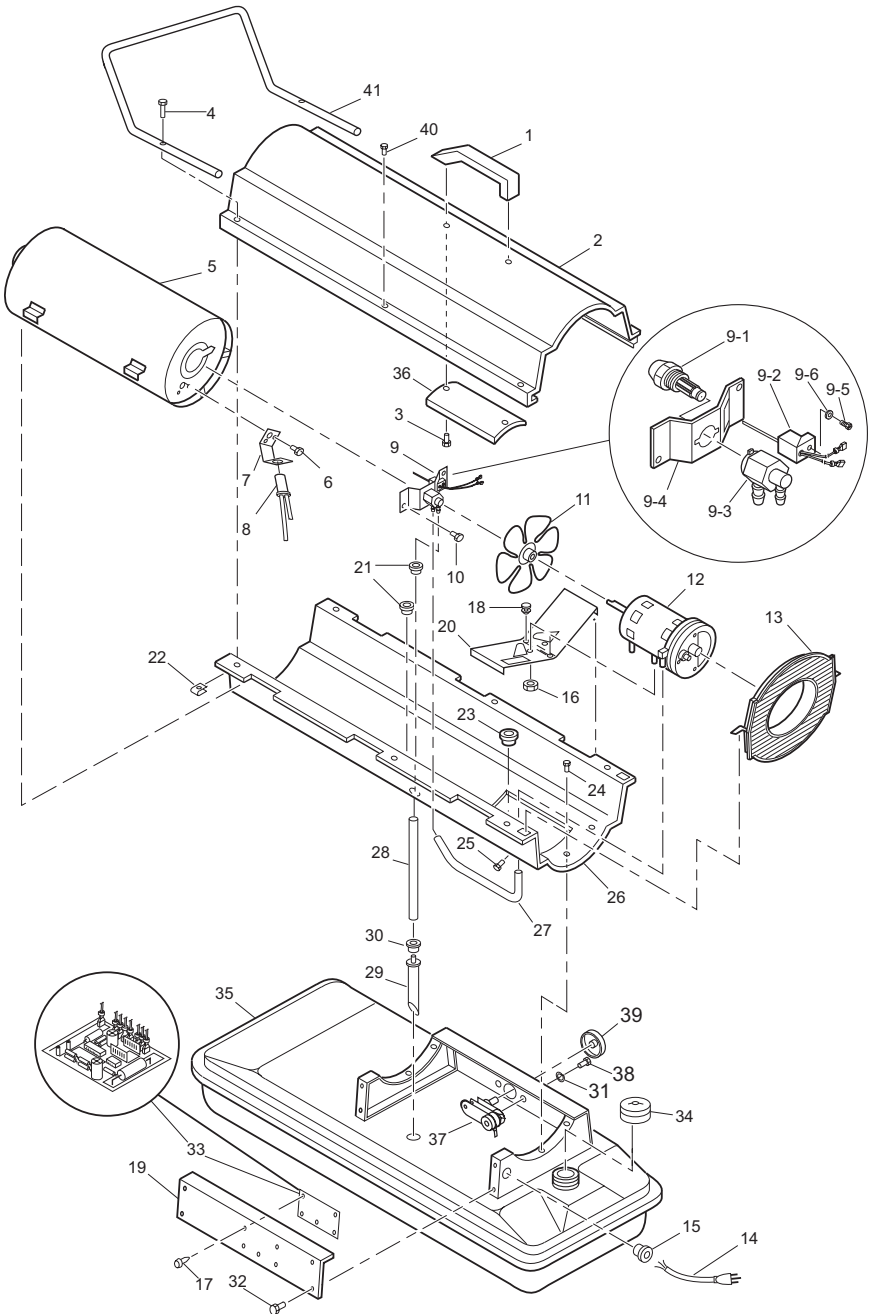
Cette liste indique les pièces de votre appareil de chauffage individuel qui peuvent être remplacées. Lorsque vous commandez des pièces détachées, soyez sûr d'inclure les numéros corrects de modèle et de série (pris sur la plaque signalétique), puis la référence suivie de sa désignation.

N° De Repère	Référence	Désignation	Qté
1	M51104-01	Poignée	1
2	098511-67	Couvercle (blanc)	1
3	M11084-29	Vis n° 10-16 x 3/4 po	2
4	108631-01	Vis n° 10-16 x 1 po	2
5	098512-58	Chambre de combustion	1
6	M10908-2	Vis n° 6-32 x 3/8 po	2
7	103154-03	Support de cellule photoélectrique	1
8	M16656-24	Cellule photoélectrique	1
9	**	Brûleur complet	1
9-1	HA3006	Buse	1
9-2	HA1000	Allumeur	1
9-3	104056-01	Porte-buse	1
9-4	102336-01	Support de porte-buse	1
9-5	M10908-75	Vis autotaraudeuse à tête hexagonale	1
9-6	103347-01	Rondelle Belleville	1
10	M11084-26	Vis n° 10-16 x 3/8 po	2
11	103684-01	Ventilateur	1
12	**	Moteur (page 22)	1
13	M51105-01	Grille de protection du ventilateur	1
14	098219-38	Cordon électrique	1
15	M11143-1	Bague	1
16	NTC-4C	Ecrou six pans 1/4-20	2
17	M11084-26	Vis n° 10-16 x 3/8 po	4
18	M50631	Amortisseur caoutchouc	2
19	097461-09	Plaque amovible	1
20	101205-01	Support moteur	1
21	M30865-02	Bague	2
22	M11271-8	Ecrou agrafe	6
23	M50104-02	Bague	1
24	M11084-26	Vis n° 10-16 x 3/8 po	6
25	097211-02	Vis n° 8-18 x 1/2 po	1
26	098511-234	Boîtier (blanc)	1
27	M50814-06	Conduite d'air en caoutchouc	1
28	079973-01	Conduite de combustible	1
29	M50876-04	Filtre à combustible (inclut bague)	1
30	M10990-3	Manchon caoutchouc	1
31	079532-01	Barre de protection	1
32	102349-01	Support de carte de circuits imprimés	5
33	104068-02	Commande d'allumage	1
34	097702-01	Bouchon du réservoir de combustible (inclut joint)	1
35	108088-01	Réservoir de combustible	1
36	M51108-01	Bouclier thermique	1
37	M15823-27	Vis n° 10-16 x 1/2 po	4
PIECES DISPONIBLES - NON ILLUSTRÉES			
	103814-01	Serre-fils	1
	105550-01	Autocollant d'avertissement/entretien	1
	105550-02	Autocollant d'avertissement/entretien	1

** Pas offert entièrement monté

VUE DÉTAILLÉE DES PIÈCES

MODÈLES BC55T, RC55T, BC70T ET RC70T



LISTE DES PIÈCES

MODÈLES BC55T, RC55T, BC70T ET RC70T

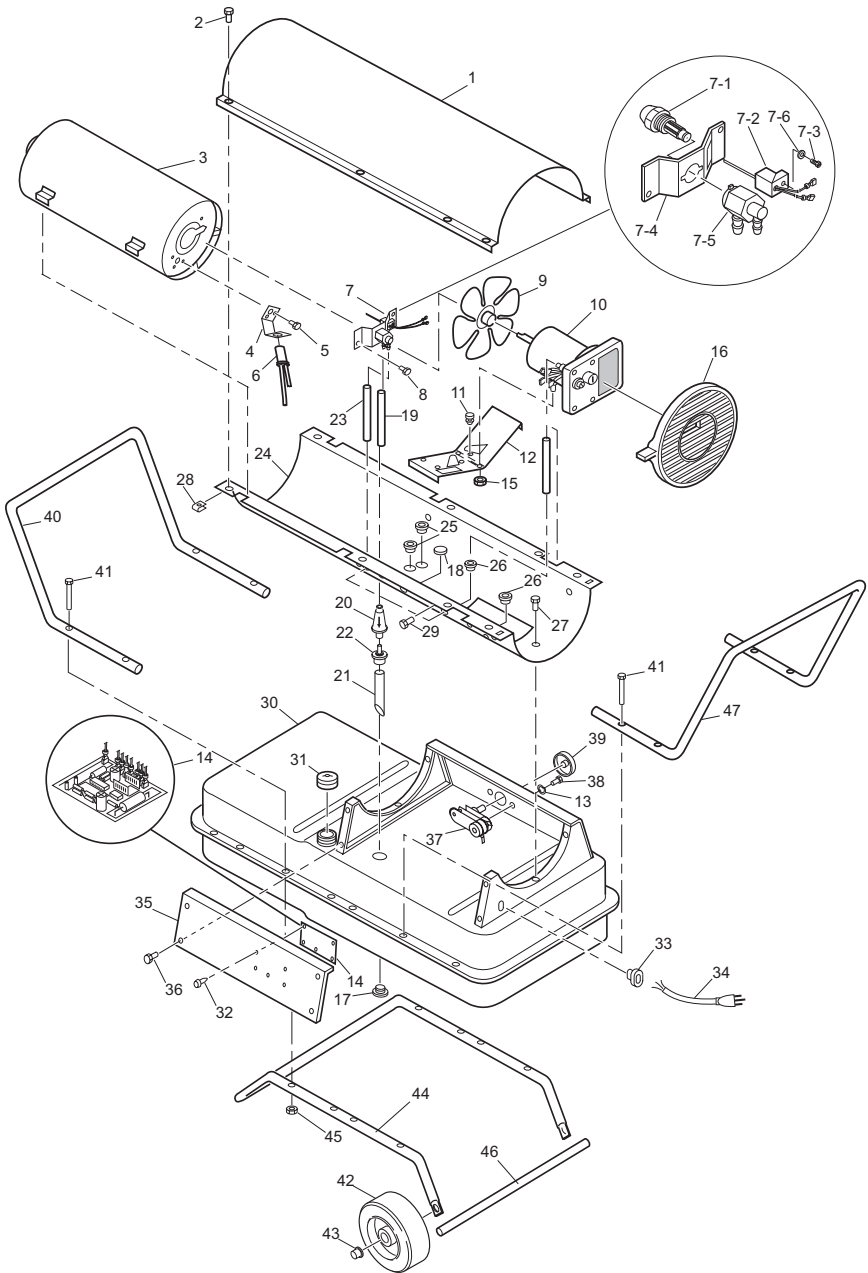
Cette liste indique les pièces de votre appareil de chauffage individuel qui peuvent être remplacées. Lorsque vous commandez des pièces détachées, soyez sûr d'inclure les numéros corrects de modèle et de série (pris sur la plaque signalétique), puis la référence suivie de sa désignation.

N° De Repère	Référence	Désignation	Qté
1	M51104-01	Poignée	1
2	098511-67	Couvercle (blanc)	1
3	M11084-29	Vis n° 10-16 x 3/4 po	2
4	108631-01	Vis n° 10-16 x 1 po	2
5	098512-50	Chambre de combustion (55T)	1
	098512-51	Chambre de combustion (70T)	1
6	M10908-2	Vis n° 6-32 x 3/8 po	2
7	103154-03	Support de cellule photoélectrique	1
8	M16656-24	Cellule photoélectrique	1
9	**	Brûleur complet	1
9-1	HA3024	Buse (55T)	1
	HA3026	Buse (70T)	1
9-2	HA1000	Allumeur	1
9-3	104056-01	Porte-buse	1
9-4	102336-02	Support de porte-buse (55T)	1
	102336-01	Support de porte-buse (70T)	1
9-5	M10908-75	Vis autotaraudeuse à tête hexagonale	1
9-6	103347-01	Rondelle Belleville	1
10	M11084-26	Vis n° 10-16 x 3/8 po	2
11	103684-01	Ventilateur (55T)	1
	M29678	Ventilateur (70T)	1
12	**	Pompe et moteur (page 22)	1
13	M51105-01	Grille de protection du ventilateur	1
14	098219-38	Cordon électrique	1
15	M11143-1	Bague	1
16	NTC-4C	Ecrou six pans 1/4-20	2
17	M11084-26	Vis n° 10-16 x 3/8 po	2
18	M50631	Amortisseur caoutchouc	2
19	097461-09	Plaque amovible	1
20	101205-01	Support moteur	1
21	M30865-02	Bague	2
22	M11271-8	Ecrou agrafe	6
23	M50104-02	Bague	1
24	M11084-26	Vis n° 10-16 x 3/8 po	6
25	097211-02	Vis n° 8-18 x 1/2 po	1
26	098511-234	Boîtier (blanc)	1
27	M50814-06	Conduite d'air en caoutchouc	1
28	079973-01	Conduite de combustible	1
29	M50876-05	Filtre à combustible (inclut bague)	1
30	M10990-3	Manchon caoutchouc	1
31	WLE-2	Rondelle frein,#8	1
32	102349-01	Support de carte de circuits imprimés	5
33	104068-02	Commande d'allumage	1
34	097702-01	Bouchon du réservoir de combustible(inclut joint)	1
35	108088-03	Réservoir de combustible	1
36	M51108-01	Bouclier thermique	1
37	104458-01	Thermostat	1
38	M12461-18	Vis n° 8-32 x 7/8 po	1
39	104460-01	Bouton de thermostat	1
40	M51823-27	Vis n° 10-16 x 1/2 po	2
41	079532-01	Barre de protection	1
PIECES DISPONIBLES - NON ILLUSTRÉES			
	100621-09	Autocollant de thermostat	1
	103814-01	Serre-fils	1
	M9900-170	Fils	1
	105550-01	Autocollant d'avertissement/entretien	1
	105550-02	Autocollant d'avertissement/entretien	1

** Pas offert entièrement monté

VUE DÉTAILLÉE DES PIÈCES

MODÈLES BC115CT, RC115CT, BC165CT ET RC165CT



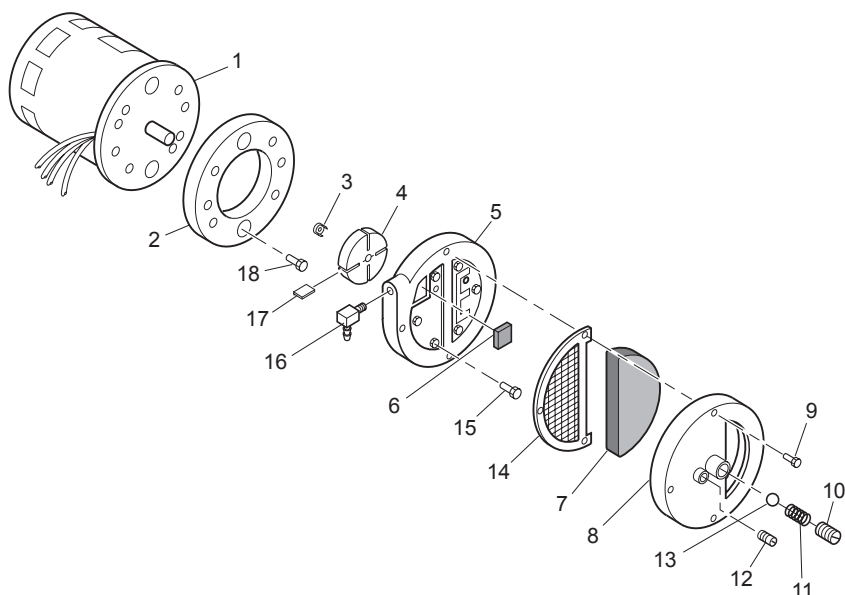
LISTE DES PIÈCES

N° De Repère	Référence		Désignation	Qté
	115T	165T		
1	098511-292	098511-292	Couvercle (blanc)	1
2	M15823-27	M15823-27	Vis n° 10-16 x 1/2 po	8
3	098512-71	098512-75	Chambre de combustion	1
4	103154-05	M16660-02	Support de cellule photoélectrique	1
5	M10908-2	M10908-2	Vis n° 10-32 x 3/8 po	2
6	M16656-24	M16656-24	Cellule photoélectrique	1
7	***	***	Brûleur complet	1
7-1	HA3027	HA3028	Buse	1
7-2	HA1000	HA1000	Allumeur	1
7-3	M10908-75	M10908-75	Vis autotaraudeuse à tête hexagonale	1
7-4	102336-01	102336-01	Support de porte-buse	1
7-5	104054-01	104054-01	Porte-buse	1
7-6	103347-01	103347-01	Rondelle Belleville	1
8	M11084-27	M11084-27	Vis n° 10-16 x 1/2 po	2
9	097293-01	102042-01	Ventilateur	1
10	***	***	Pompe et moteur (page 22)	1
11	M50631	M50631	Amortisseur caoutchouc	2
12	101206-01	101206-01	Support moteur	1
13	WLE-2	WLE-2	Rondelle frein,#8	1
14	104068-02	104068-02	Commande d'allumage	1
15	NTC-4C	NTC-4C	Ecrou six pans 1/4-20	2
16	111037-01	111037-01	Grille de protection du ventilateur	1
17	M27417	M27417	Bouchon de vidange (comprend un joint torique)	1
18	099213-01	099213-01	Bouchon	1
19	M51345-06	M51345-06	Conduite de combustible	1
20	106896-01**	106896-01**	Filter à combustible	1
21	M51151-01	M51151-02	Tube de combustible	1
22	M10990-3	M10990-3	Manchon caoutchouc	1
23	M50814-03	M50814-03	Conduite d'air en caoutchouc	1
24	098511-293	098511-293	Boîtier (blanc)	1
25	M50104-06	M50104-06	Bague	1
26	M50104-01	M50104-01	Bague	2
27	M11084-27	M11084-27	Vis n° 10-16 x 1/2 po	6
28	M11271-8	M11271-8	Ecrou agrafe	8
29	M10908-14	M10908-14	Vis n° 8-32 x 3/8 po	1
30	108088-04	108088-05	Réservoir de combustible	1
31	097702-01	097702-01	Bouchon du réservoir de combustible (inclut joint)	1
32	102349-01	102349-01	Support de carte de circuits imprimés	5
33	M11143-1	M11143-1	Bague de détente	1
34	098219-38	098219-38	Cordon électrique	1
35	M51077-15	M51077-15	Plaque amovible	1
36	M11084-27	M11084-27	Vis n° 10-16 x 1/2 po	4
37	104458-01	104458-01	Thermostat	1
38	M12461-18	M12461-18	Vis n° 8-32 x 7/8 po	2
39	104460-01	104460-01	Bouton de thermostat	1
40	079998-01	099614-01	Poignée avant	1
41	M12345-33	M12345-33	Vis n° 10-24 x 1 3/4 po	8
42	107426-01	107426-01	Roues	2
43	M28526	M28526	Écrou borgne	2
44	M12342-3	M12831-3	Berceau	1
45	NTC-3C	NTC-3C	Écrou de blocage hexagonal n° 10-24	6
46	M51015-01	M16801-2	Essieu	1
47	—	099614-02	Guidon arrière (si équipé)	1
PIECES DISPONIBLES - NON ILLUSTRÉES				
	103814-01	103814-01	Serre-fils	
	HA1180	HA1180	Kit de manomètre	
	HA2210	HA2210	Tamis de filtre de réservoir de combustible	
	HA3004	HA3004	Kit de rotor (M22456-1, M22009, M8643)	
	HA3017	HA3017	Kit de filtre (M11637, M12179, M12244-1, 106896-01)	
	HA3020	HA3020	Kit de pompe (M27694, M10993-1, M22997, M8940)	
	100621-08	100621-08	Autocollant de thermostat	1

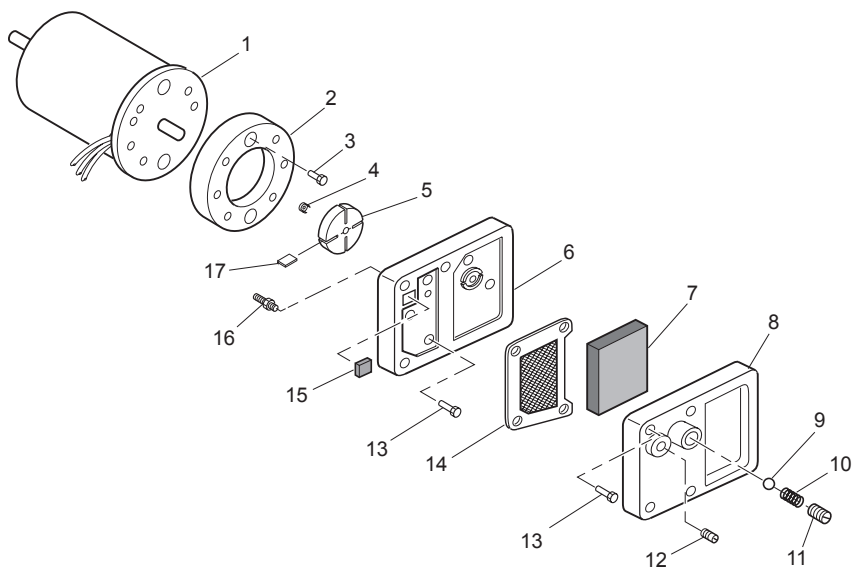
** Voir les ACCESSOIRES EN OPTION *** Pas offert entièrement monté

VUE DÉTAILLÉE DES PIÈCES

POMPE ET MOTEUR MODÈLES BC40, RC40, BC55T, RC55T, BC70T ET RC70T



POMPE ET MOTEUR MODÈLES BC115CT, RC115CT, BC165CT ET RC165CT



LISTE DES PIÈCES

Cette liste indique les pièces de votre appareil de chauffage individuel qui peuvent être remplacées. Lorsque vous commandez des pièces détachées, soyez sûr d'inclure les numéros corrects de modèle et de série (pris sur la plaque signalétique), puis la référence suivie de sa désignation.

MODÈLES BC40, RC40, BC55T, RC55T, BC70T ET RC70T

N° De Repère	Référence	Désignation	Qté
1	102001-01 102001-20	Moteur (40 et 55T) Moterr (70T)	1
2	079975-02 079975-03	Pompe (40 et 70T) Pompe (55T)	1
3	M22009*, **	Pièce noyée du rotor	1
4	M22456-1* M22456-2**	Rotor (40 et 70T) Rotor (55T)	1
5	M29608	Couvercle de pompe	1
6	M29632***	Filtre à poussière	1
7	M29633***	Filtre d'entrée d'air	1
8	M29609	Cache-filtre	1
9	M12461-31	Vis n° 10-32 x 1 po	3
10	M27694 ∞	Vis de réglage	1
11	M10993-1 ∞	Ressort de décharge	1
12	M22997 ∞	Bouchon fileté	1
13	M8940 ∞	Bille en acier, diamètre 1/4 po	1
14	M29612-01***	Filtre de sortie d'air	1
15	M12461-31 M12461-32	Vis n° 10-32 x 1 po (40 et 70T) Vis n° 10-32 x 1 1/8 po (55T)	6 6
16	103676-01	Coude en L en Nylon	1
17	M8643* M8643-2**	Palette (40 et 70T) Palette (55T)	4 4
18	FHPF3-5C FHPF3-6C	Vis (40 et 70T) Vis (55T)	2 2

* Fait partie du kit de rotor (n° de référence HA3004) ∞ Fait partie du kit de réglage de pompe (n° de référence

** Fait partie du kit de rotor (n° de référence HA3005) HA3020)

*** Fait partie du kit de filtre (n° de référence HA3014)

MODÈLES BC115CT, RC115CT, BC165CT ET RC165CT

N° De Repère	Référence	Désignation	Qté
1	102001-30	Moteur	1
2	079975-02	Pompe	1
3	FHPF3-5C	Vis n° 10-32 x 5/8 po	2
4	M22009**	Pièce noyée du rotor	1
5	M22456-1**	Rotor	1
6	M50545	Couvercle de pompe	1
7	M12179**	Filtre d'entrée d'air	1
8	M16545	Cache-filtre	1
9	M8940**	Bille en acier, diamètre 1/4 po	1
10	M10993-1**	Ressort de décharge	1
11	M27694**	Vis de réglage	1
12	M22997**	Bouchon fileté	1
13	M12461-31	Vis n° 10-32 x 1 po	10
14	M12244-1**	Filtre de sortie d'air	1
15	M11637**	Filtre à poussière	1
16	M50820-02	Raccord à griffes	1
17	M8643**	Palette	4

** Fait partie du kit de rotor (n° de référence HA3004)

FICHE TECHNIQUE

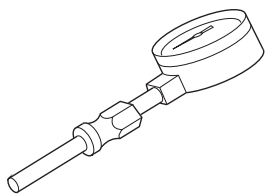
Numéro de modèle	40	55T	70T	115T	165T
Rendement (Btu/h)	40 000	55 000	70 000	115 000	165 000
Combustible	Utiliser uniquement du kérosène, du mazout/carburant diesel NO 1 ou NO 2, des Carburateurs A ou JP-8*				
Contenance du réservoir (litres/gal U.S.)	11,3 (3)	18,9 (5)	18,9 (5)	34 (9)	51 (13,5)
Consommation (litres/h/gal/h)	1,14 (0,3)	1,67 (0,44)	1,97 (0,52)	3,0 (0,85)	4,54 (1,2)
Pression de la pompe kPa (psi)	20,7 kPa (3 psi)	23,4 kPa (3,4 psi)	32,4 kPa (4,7 psi)	35,2 kPa (5,1 psi)	38,6 kPa (5,6 psi)
Spécifications électriques	120 volts/60 Hz (tous les modèles)				
Intensité électrique (marche normale)	2,0 A	2,0 A	2,8 A	3,6 A	3,6 A
Vitesse du moteur (tr/min)	1725	1725	3440	3440	3440
Volume de sortie d'air chaud (pi ³ /min)	170	180	360	490	575
Poids (Appr)					
Expédition	14,5 kg (32 lb)	15,9 kg (35 lb)	15,9 kg (35 lb)	24,3 kg (54 lb)	29,5 kg (65 lb)
Appareil	12,7 kg (28 lb)	13,6 kg (30 lb)	13,6 kg (30 lb)	21,0 kg (46 lb)	25,0 kg (55 lb)

* L'utilisation du mazout et du carburant diesel no 2 produira une odeur perceptible et pourrait occasionner l'entretien supplémentaire du filtre de carburant. Une utilisation à des températures froides extrêmes pourrait nécessiter des additifs antigivrants non toxiques.

ACCESSOIRES

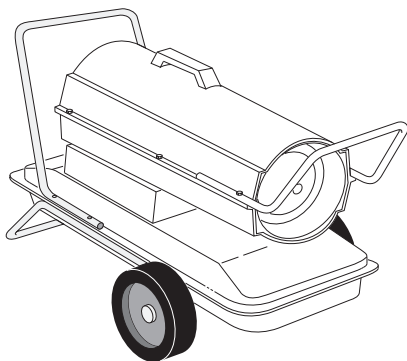
Votre concessionnaire peut vous fournir les accessoires et les pièces détachées pour cet appareil de chauffage. Dans le cas où il ne stockerait pas ou ne pourrait commander un accessoire ou une pièce particulière, veuillez communiquer avec DESA Industries.

DESA Industries of Canada, Inc.
2220 Argentia Road, Unit #4
Mississauga, Ontario L5N 2K7
Service pièces
1-905-826-8010



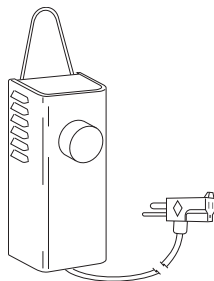
MANOMETRE - HA1180

Pour tous les modèles. Sert à vérifier la pression de la-pompe.



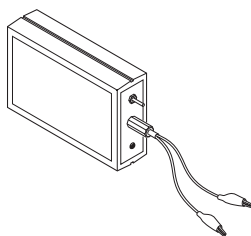
ROUES ET GUIDON POUR TRAVAIL INTENSIF - HA1202

Améliore la maniabilité et la portabilité de l'appareil. Pour les modèles 40/55T/70T.



THERMOSTAT - HA1210

Pour le modèle 40. Aide à maintenir une température constante jour et nuit et économise le combustible.



TESTEUR DE COMMANDE D'ALLUMAGE/ CELLULE PHOTOÉLECTRIQUE HA1170

Outil spécial utilisé pour tester la commande d'allumage et la cellule photoélectrique.

NTIE ET SERVICE APRES-VENTE

GARDEZ CETTE GARANTIE

N° de modèle _____

N° de série _____

Date d'achat _____

(à remplir par l'acheteur)

GARANTIE LIMITEE

DESA Industries (la compagnie) garantit ce produit ainsi que les pièces qui le composent comme exempt(s) de tout défaut de matière et de main-d'oeuvre pendant une période de 12 mois à partir de la date d'achat, à condition que le produit soit employé et entretenu suivant les recommandations de son mode d'emploi. Cette garantie ne s'applique qu'à l'acheteur d'origine sur présentation d'une preuve d'achat.

Cette garantie ne couvre que le coût des pièces et de la main d'oeuvre nécessaires à la remise en état de l'appareil. Cette garantie ne couvre ni les coûts de transport ou tout autre coût encouru durant la réparation sous garantie.

Les réparations faites sous cette garantie ne peuvent être effectuées que par les revendeurs et les centres de service après-vente agréés.

Cette garantie ne couvre pas les avaries attribuables à l'usage abusif, la négligence, les accidents, le manque d'entretien, l'usure normale, les modifications, les réparations non autorisées, l'emploi de combustible contaminé, les réparations avec des pièces autres que des pièces d'origine, ou par quiconque autre qu'un détaillant ou un concessionnaire agréé. Le propriétaire est responsable de l'entretien usuel.

CETTE GARANTIE EXPRESSE TIENT LIEU DE TOUTE AUTRE GARANTIE EXPRESSE OU IMPLICITE, Y COMPRIS LES GARANTIES DE COMMERCIALISATION ET DE FONFORMITE A TOUT USAGE PARTICULIER.

DESA Industries (la compagnie) rejette toute responsabilité pour dommages fortuits ou conséquents indirects. Certaines provinces ne reconnaissent pas l'exclusion de responsabilité pour dommages fortuits ou conséquents. (Cette clause peut ne pas être applicable dans votre cas.) Cette garantie limitée vous donne des droits légaux spécifiques ainsi que certains autres droits applicables dans certaines provinces.

REPARATIONS SOUS GARANTIE

Si votre appareil de chauffage s'avérait défectueux, retournez-le au centre de réparation agréé le plus proche. L'appareil y sera vérifié. Si la panne est attribuable à un défaut de matière ou de main-d'oeuvre, DESA Industries (la compagnie) le réparera ou le remplacera gra-tuitement.

SERVICE APRES-VENTE

Rapportez l'appareil de chauffage au centre de réparation agréé le plus proche. La propriété ainsi que l'exploitation de chaque centre de réparation sont indépendantes. Les réparations non couvertes par la garantie sont facturées aux prix standard. Nous nous réservons le droit de modifier ces caractéristiques à tout moment sans préavis.

Les listes de pièces détachées illustrées peuvent être obtenues gratuitement. Envoyez une enveloppe pré-adressée et timbrée à l'adresse indiquée ci-dessous. Inscrivez le numéro de modèle de l'appareil de chauffage et la date situés dans le coin inférieur droit de cette page. Il est possible d'acheter un manuel d'entretien à l'adresse indiquée ci-dessous. Envoyez un chèque de 5,00 \$US payable à DESA Industries.

DESA

INDUSTRIES OF CANADA, INC.

2220 Argentia Road, Unit #4

Mississauga, Ontario L5N 2K7

(905) 826-8010

Fax (905) 826-8236



111168 01

NOT A UPC

111168-01

Rev. A

06/04

Imprimé aux états-Uni

Free Manuals Download Website

<http://myh66.com>

<http://usermanuals.us>

<http://www.somanuals.com>

<http://www.4manuals.cc>

<http://www.manual-lib.com>

<http://www.404manual.com>

<http://www.luxmanual.com>

<http://aubethermostatmanual.com>

Golf course search by state

<http://golfingnear.com>

Email search by domain

<http://emailbydomain.com>

Auto manuals search

<http://auto.somanuals.com>

TV manuals search

<http://tv.somanuals.com>