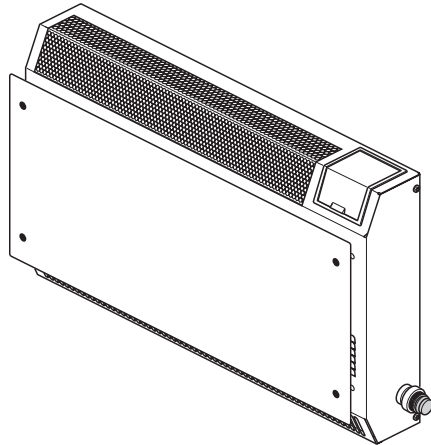


DESA™

INDOOR/OUTDOOR PRODUCTS

UNVENTED (VENT-FREE) BLUE FLAME GAS HEATER SAFETY INFORMATION AND INSTALLATION MANUAL



18,000 BTU THERMOSTAT MODELS LSL18NT, LSL18PT, SL18NT, SL18PT, VSL18NT AND VSL18PT

WARNING: If the information in this manual is not followed exactly, a fire or explosion may result causing property damage, personal injury or loss of life.

- Do not store or use gasoline or other flammable vapors and liquids in the vicinity of this or any other appliance.
- **WHAT TO DO IF YOU SMELL GAS**
 - Do not try to light any appliance.
 - Do not touch any electrical switch; do not use any phone in your building.
 - Immediately call your gas supplier from a neighbor's phone. Follow the gas supplier's instructions.
 - If you cannot reach your gas supplier, call the fire department.
- Installation and service must be performed by a qualified installer, service agency or the gas supplier.

Save this manual for future reference.

For more information, visit www.desatech.com

Download from www.Somanuals.com. All Manuals Search And Download.

WARNING: Improper installation, adjustment, alteration, service or maintenance can cause injury or property damage. Refer to this manual for correct installation and operational procedures. For assistance or additional information consult a qualified installer, service agency or the gas supplier.

WARNING: This is an unvented gas-fired heater. It uses air (oxygen) from the room in which it is installed. Provisions for adequate combustion and ventilation air must be provided. Refer to *Air for Combustion and Ventilation* section on page 5 of this manual.

This appliance may be installed in an aftermarket,* permanently located, manufactured (mobile) home, where not prohibited by local codes.

This appliance is only for use with the type of gas indicated on the rating plate. This appliance is not convertible for use with other gases.

*** Aftermarket: Completion of sale, not for purpose of resale, from the manufacturer**

State of Massachusetts: The installation must be made by a licensed plumber or gas fitter in the Commonwealth of Massachusetts.

Sellers of unvented propane or natural gas-fired supplemental room heaters shall provide to each purchaser a copy of 527 CMR 30 upon sale of the unit.

Vent-free gas products are prohibited for bedroom and bathroom installation in the Commonwealth of Massachusetts.

TABLE OF CONTENTS

Safety Information	3	Specifications	22
Local Codes	4	Wiring Diagrams	22
Product Identification	4	Accessories	23
Unpacking	4	Technical Service	23
Product Features	4	Service Publications	23
Air For Combustion And Ventilation	5	Replacement Parts	23
Installation	7	Service Hints	23
Operating Heater	14	Illustrated Parts Breakdown and Parts List	24
Inspecting Heater	16	Parts Centrals	26
Cleaning and Maintenance	17	Warranty Information	28
Troubleshooting	18		

SAFETY INFORMATION

IMPORTANT: Read this owner's manual carefully and completely before trying to assemble, operate or service this heater. Improper use of this heater can cause serious injury or death from burns, fire, explosion, electrical shock and carbon monoxide poisoning.

⚠ DANGER: Carbon monoxide poisoning may lead to death!

Carbon Monoxide Poisoning: Early signs of carbon monoxide poisoning resemble the flu, with headaches, dizziness or nausea. If you have these signs, the heater may not be working properly. **Get fresh air at once!** Have heater serviced. Some people are more affected by carbon monoxide than others. These include pregnant women, people with heart or lung disease or anemia, those under the influence of alcohol and those at high altitudes.

Natural and Propane/LP Gas: Natural and propane/LP gases are fuel gases. Fuel gases are odorless. An odor-making agent are added to fuel gases. The odor helps you detect a fuel gas leak. However, the odor added to fuel gas can fade. Fuel gas may be present even though no odor exists. Make certain you read and understand all warnings. Keep this manual for reference. It is your guide to safe and proper operation of this heater.

⚠ WARNING: Any change to this heater or its controls can be dangerous.

⚠ WARNING: Do not use a blower insert, heat exchanger insert or other accessory not approved for use with this heater.

Due to high temperatures, the appliance should be located out of traffic and away from furniture and draperies.

Do not place clothing or other flammable material on or near the appliance. Never place any objects on the heater.

Surface of heater becomes very hot when running heater. Keep children and adults away from hot surface to avoid burns or clothing ignition. Heater will remain hot for a time after shut-down. Allow surface to cool before touching.

Carefully supervise young children when they are in the same room with heater.

Make sure grill guard is in place before running heater.

Keep the appliance area clear and free from combustible materials, gasoline and other flammable vapors and liquids.

1. This appliance is only for use with the type of gas indicated on the rating plate. This appliance is not convertible for use with other gases.
2. Do not place propane/LP supply tank(s) inside any structure. Locate propane/LP supply tank(s) outdoors.
3. This heater shall not be installed in a bathroom or a bedroom.
4. If you smell gas
 - shut off gas supply
 - do not try to light any appliance
 - do not touch any electrical switch; do not use any phone in your building
 - immediately call your gas supplier from a neighbor's phone. Follow the gas supplier's instructions
 - if you cannot reach your gas supplier, call the fire department
5. This heater needs fresh, outside air ventilation to run properly. This heater has an Oxygen Depletion Sensing (ODS) safety shutoff system. The ODS shuts down the heater if not enough fresh air is available. See *Air for Combustion and Ventilation*, page 5.

SAFETY INFORMATION

Continued

- Keep all air openings in front and bottom of heater clear and free of debris. This will insure enough air for proper combustion.
- If heater shuts off, do not relight until you provide fresh, outside air. If heater keeps shutting off, have it serviced.
- Do not run heater
 - where flammable liquids or vapors are used or stored
 - under dusty conditions
- Before using furniture polish, wax, carpet cleaner or similar products, turn heater off. If heated, the vapors from these products may create a white powder residue within burner box or on adjacent walls or furniture.
- Do not use heater if any part has been under water. Immediately call a qualified service technician to inspect the room heater and to replace any part of the control system and any gas control which has been under water.
- Turn off and let cool before servicing. Only a qualified service person should service and repair heater.
- Operating heater above elevations of 4,500 feet (1,371 m) could cause pilot outage.
- To prevent performance problems, do not use propane/LP fuel tank of less than 100 lbs. (45 kg) capacity.
- Provide adequate clearances around air openings.

LOCAL CODES

Install and use heater with care. Follow all local codes. In the absence of local codes, use the latest edition of *National Fuel Gas Code, ANSI Z223.1/NFPA 54**.

*Available from:

American National Standards Institute, Inc.
1430 Broadway
New York, NY 10018

National Fire Protection Association, Inc.
Batterymarch Park
Quincy, MA 02269

PRODUCT IDENTIFICATION

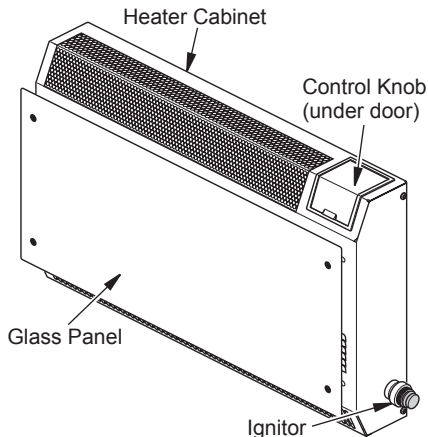


Figure 1 - Vent-Free Gas Heater

UNPACKING

- Remove heater from carton.
- Remove all protective packaging applied to heater for shipment.
- Check heater for any shipping damage. If heater is damaged, promptly inform dealer where you bought heater.

PRODUCT FEATURES

SAFETY DEVICE

This heater has a pilot with an Oxygen Depletion Sensing (ODS) safety shutoff system. The ODS/pilot is a required feature for vent-free room heaters. The ODS/pilot shuts off the heater if there is not enough fresh air.

IGNITION SYSTEM

This heater has either a piezo ignitor or electronic ignitor to light heater fuel supply.

THERMOSTATIC HEAT CONTROL

Thermostat models have a thermostat sensing bulb and a control valve. This results in the greatest heater comfort. This can also result in lower gas bills.

AIR FOR COMBUSTION AND VENTILATION

⚠ WARNING: This heater shall not be installed in a confined space or unusually tight construction unless provisions are provided for adequate combustion and ventilation air. Read the following instructions to insure proper fresh air for this and other fuel-burning appliances in your home.

Today's homes are built more energy efficient than ever. New materials, increased insulation and new construction methods help reduce heat loss in homes. Home owners weather strip and caulk around windows and doors to keep the cold air out and the warm air in. During heating months, home owners want their homes as airtight as possible.

While it is good to make your home energy efficient, your home needs to breathe. Fresh air must enter your home. All fuel-burning appliances need fresh air for proper combustion and ventilation.

Exhaust fans, fireplaces, clothes dryers and fuel burning appliances draw air from the house to operate. You must provide adequate fresh air for these appliances. This will insure proper venting of vented fuel-burning appliances.

PROVIDING ADEQUATE VENTILATION

The following are excerpts from *National Fuel Gas Code, ANSI Z223.1/NFPA 54, Section 5.3, Air for Combustion and Ventilation*.

All spaces in homes fall into one of the three following ventilation classifications:

1. Unusually Tight Construction
2. Unconfined Space
3. Confined Space

The information on pages 5 through 7 will help you classify your space and provide adequate ventilation.

Unusually Tight Construction

The air that leaks around doors and windows may provide enough fresh air for combustion and ventilation. However, in buildings of unusually tight construction, you must provide additional fresh air.

Unusually tight construction is defined as construction where:

- a. walls and ceilings exposed to the outside atmosphere have a continuous water vapor retarder with a rating of one perm (6×10^{-11} kg per pa-sec- m^2) or less with openings gasketed or sealed and
- b. weather stripping has been added on openable windows and doors and
- c. caulking or sealants are applied to areas such as joints around window and door frames, between sole plates and floors, between wall-ceiling joints, between wall panels, at penetrations for plumbing, electrical and gas lines and at other openings.

If your home meets all of the three criteria above, you must provide additional fresh air. See *Ventilation Air From Outdoors*, page 7.

If your home does not meet all of the three criteria above, proceed to *Determining Fresh-Air Flow For Heater Location*, page 6.

Confined and Unconfined Space

The National Fuel Gas Code, *ANSI Z223.1/NFPA 54* defines a confined space as a space whose volume is less than 50 cubic feet per 1,000 Btu per hour (4.8 m^3 per kw) of the aggregate input rating of all appliances installed in that space and an unconfined space as a space whose volume is not less than 50 cubic feet per 1,000 Btu per hour (4.8 m^3 per kw) of the aggregate input rating of all appliances installed in that space. Rooms communicating directly with the space in which the appliances are installed*, through openings not furnished with doors, are considered a part of the unconfined space.

* Adjoining rooms are communicating only if there are doorless passageways or ventilation grills between them.

AIR FOR COMBUSTION AND VENTILATION

Continued

DETERMINING FRESH-AIR FLOW FOR HEATER LOCATION

Determining if You Have a Confined or Unconfined Space

Use this work sheet to determine if you have a confined or unconfined space.

Space: Includes the room in which you will install heater plus any adjoining rooms with doorless passageways or ventilation grills between the rooms.

1. Determine the volume of the space (length x width x height).

Length x Width x Height = _____ cu. ft. (volume of space)

Example: Space size 20 ft. (6.1 m) (length) x 16 ft. (4.88 m) (width) x 8 ft. (2.44 m) (ceiling height) = 2560 cu. ft. (72.49 m³) (volume of space)

If additional ventilation to adjoining room is supplied with grills or openings, add the volume of these rooms to the total volume of the space.

2. Multiply the space volume by 20 to determine the maximum Btu/Hr the space can support.

_____ (volume of space) x 20 = (Maximum Btu/Hr the space can support)

Example: 2560 cu. ft. (72.49 m³) (volume of space) x 20 = 51,200 (maximum Btu/Hr the space can support)

3. Add the Btu/Hr of all fuel burning appliances in the space.

Vent-free heater	_____	Btu/Hr
Gas water heater*	_____	Btu/Hr
Gas furnace	_____	Btu/Hr
Vented gas heater	_____	Btu/Hr
Gas fireplace logs	_____	Btu/Hr
Other gas appliances* +	_____	Btu/Hr
Total	= _____	Btu/Hr

* Do not include direct-vent gas appliances. Direct-vent draws combustion air from the outdoors and vents to the outdoors.

Example:

Gas water heater	_____	40,000	Btu/Hr
Vent-free heater	+ _____	18,000	Btu/Hr
Total	= _____	58,000	Btu/Hr

4. Compare the maximum Btu/Hr the space can support with the actual amount of Btu/Hr used.

_____ Btu/Hr (maximum the space can support)

_____ Btu/Hr (actual amount of Btu/Hr used)

Example: 51,200 Btu/Hr (maximum the space can support)

58,000 Btu/Hr (actual amount of Btu/Hr used)

The space in the above example is a confined space because the actual Btu/Hr used is more than the maximum Btu/Hr the space can support. You must provide additional fresh air. Your options are as follows:

- A. Rework worksheet, adding the space of an adjoining room. If the extra space provides an unconfined space, remove door to adjoining room or add ventilation grills between rooms. See *Ventilation Air From Inside Building*, page 7.
- B. Vent room directly to the outdoors. See *Ventilation Air From Outdoors*, page 7.
- C. Install a lower Btu/Hr heater, if lower Btu/Hr size makes room unconfined.

If the actual Btu/Hr used is less than the maximum Btu/Hr the space can support, the space is an unconfined space. You will need no additional fresh air ventilation.



WARNING: If the area in which the heater may be operated is smaller than that defined as an unconfined space or if the building is of unusually tight construction, provide adequate combustion and ventilation air by one of the methods described in the *National Fuel Gas Code, ANSI Z223.1/NFPA 54 Section 5.3* or applicable local codes.

AIR FOR COMBUSTION AND VENTILATION

Continued

VENTILATION AIR

Ventilation Air From Inside Building

This fresh air would come from an adjoining unconfined space. When ventilating to an adjoining unconfined space, you must provide two permanent openings: one within 12" (30.4 cm) of the ceiling and one within 12" (30.4 cm) of the floor on the wall connecting the two spaces (see options 1 and 2, Figure 2). You can also remove door into adjoining room (see option 3, Figure 2). Follow the *National Fuel Gas Code, ANSI Z223.1/NFPA 54, Section 5.3, Air for Combustion and Ventilation* for required size of ventilation grills or ducts.

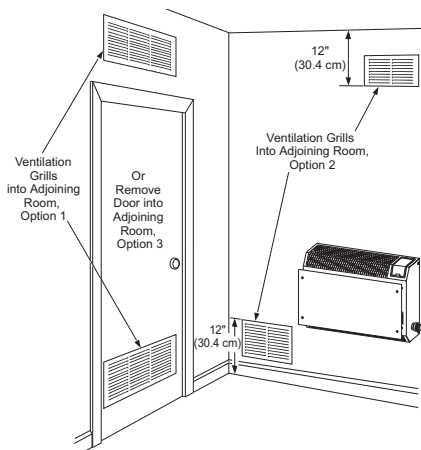


Figure 2 - Ventilation Air from Inside Building

Ventilation Air From Outdoors

Provide extra fresh air by using ventilation grills or ducts. You must provide two permanent openings: one within 12" (30.4 cm) of the ceiling and one within 12" (30.4 cm) of the floor. Connect these items directly to the outdoors or spaces open to the outdoors. These spaces include attics and crawl spaces. Follow the *National Fuel Gas Code, ANSI Z223.1/NFPA 54, Section 5.3, Air for Combustion and Ventilation* for required size of ventilation grills or ducts.

IMPORTANT: Do not provide openings for inlet or outlet air into attic if attic has a thermostat-controlled power vent. Heated air entering the attic will activate the power vent.

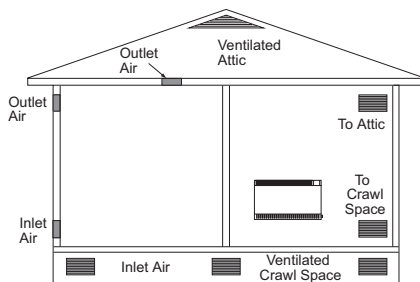


Figure 3 - Ventilation Air from Outdoors

INSTALLATION

NOTICE: This heater is intended for use as supplemental heat. Use this heater along with your primary heating system. Do not install this heater as your primary heat source. If you have a central heating system, you may run system's circulating blower while using heater. This will help circulate the heat throughout the house. In the event of a power outage, you can use this heater as your primary heat source.

WARNING: A qualified service person must install heater. Follow all local codes.

CHECK GAS TYPE

Use only the correct type of gas (natural or propane/LP). If your gas supply is not the correct gas type, do not install heater. Call dealer where you bought heater for proper type heater.

WARNING: This appliance is equipped for (natural or propane/LP) gas. Field conversion is not permitted.

INSTALLATION

Continued

INSTALLATION ITEMS

Before installing heater, make sure you have the items listed below.

- for propane/LP gas, external regulator (supplied by installer)
- piping (check local codes)
- sealant (resistant to propane/LP gas)
- equipment shutoff valve *
- ground joint union
- sediment trap
- tee joint
- pipe wrench
- for natural gas, test gauge connection*

* A CSA design-certified equipment shutoff valve with 1/8" NPT tap is an acceptable alternative to test gauge connection. The optional CSA design-certified equipment shutoff valve can be purchased from your dealer. See *Accessories*, page 23.

LOCATING HEATER

This heater is designed to be mounted on a wall.

WARNING: Maintain the minimum clearances shown in Figure 4. If you can, provide greater clearances from floor, ceiling and joining wall.

WARNING: Never install the heater

- in a bathroom or a bedroom
- in a recreational vehicle
- where curtains, furniture, clothing or other flammable objects are less than 36 inches (92 cm) from the front, top or sides of the heater
- as a fireplace insert
- in high traffic areas
- in windy or drafty areas

CAUTION: This heater creates warm air currents. These currents move heat to wall surfaces next to heater. Installing heater next to vinyl or cloth wall coverings or operating heater where impurities (such as, but not limited to, tobacco smoke, aromatic candles, cleaning fluids, oil or kerosene lamps, etc.) in the air exist, may discolor walls or cause odors.

IMPORTANT: Vent-free heaters add moisture to the air. Although this is beneficial, installing heater in rooms without enough ventilation air may cause mildew to form from too much moisture. See *Air for Combustion and Ventilation*, page 5. If high humidity is experienced, a dehumidifier may be used to help lower the water vapor content in the air.

CAUTION: If you install the heater in a home garage

- heater pilot and burner must be at least 18 inches (45.7 cm) above floor
- locate heater where moving vehicle will not hit it

For convenience and efficiency, install heater

- where there is easy access for operation, inspection and service
- in coldest part of room

Locate heater near a 120V 60Hz electrical outlet (normal household voltage).

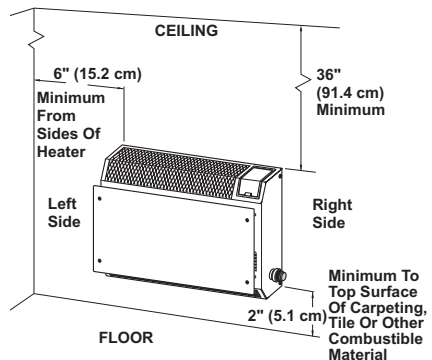


Figure 4 - Mounting Clearances As Viewed From Front of Heater

INSTALLATION

Continued

INSTALLING HEATER TO WALL

Mounting Bracket

Locate mounting bracket in heater carton. Remove mounting bracket from heater carton.

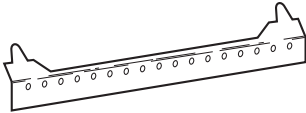


Figure 5 - Mounting Bracket

Removing Front Panel Of Heater

1. Remove the four screws, two on each side of front panel.
2. Pull front panel forward from the bottom, only 2 to 3 inches (5 to 7.6 cm).
3. Reach into lower right corner of heater and disconnect ignitor wire.
4. Lift panel up to remove, set aside.
5. Remove any remaining packaging materials.

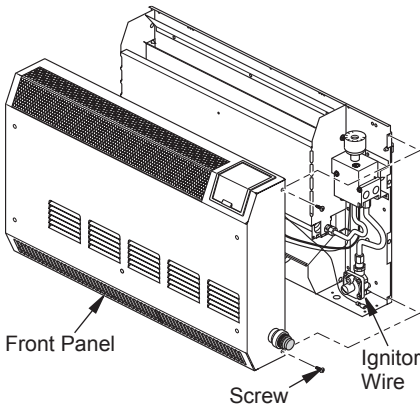


Figure 6 - Removing Front Panel Of Heater

Installing Glass Panel

Items needed from hardware packet:

- 1 - Bushing
 - 4 - Black spacers
 - 4 - Retaining clips
 - 4 - 1.5" long screws
 - 4 - Screw covers
1. Locate hardware packet and dark acrylic glass.
 2. Peel protective coating from both sides of glass.
 3. Snap bushing into center front hole of front panel (see Figure 7).

4. Turn front panel face down. Gently press onto a hard surface to snap bushing into hole. Turn panel back over, face up.
5. Place spacers over 4 holes on front panel as shown in Figure 7.
6. Position glass on top of spacers, aligning holes. **Note:** If glass gets scratched or marred from normal use, it may be reversed on heater.
7. Place 4 retaining clips on glass over holes.
8. Install screws in each hole, but do not tighten at this time.
9. Square glass up with top front surface of front panel. Tighten screws.
10. Snap screw covers over retaining clips.

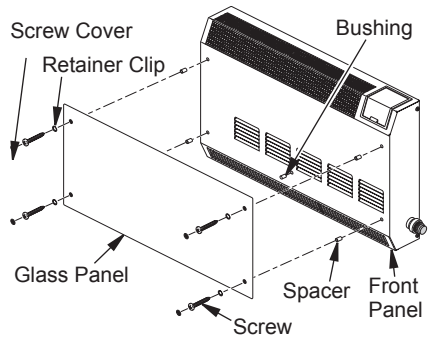


Figure 7 - Installing Glass Panel

Methods For Attaching Mounting Bracket To Wall

Only use last hole on each end of mounting bracket to attach bracket to wall. These two holes centers are 13 inches (33 cm) apart. Attach mounting bracket to wall in one of two ways:

1. Attaching to wall stud
2. Attaching to wall anchor

Attaching to Wall Stud: This method provides the strongest hold. Insert mounting screws through mounting bracket and into wall studs.

Attaching to Wall Anchor: This method allows you to attach mounting bracket to hollow walls (wall areas between studs) or to solid walls (concrete or masonry).

Decide which method better suits your needs. Either method will provide a secure hold for the mounting bracket.

Marking Screw Locations

1. Tape mounting bracket to wall where heater will be located. Make sure mounting bracket is level.

INSTALLATION

Continued

⚠ WARNING: Maintain minimum clearances shown in Figure 8. If you can, provide greater clearances from floor and joining wall.

2. Mark screw locations on wall (see Figure 8).
Note: Only mark last hole on each end of mounting bracket. Insert mounting screws through these holes only.
3. Remove tape and mounting bracket from wall.

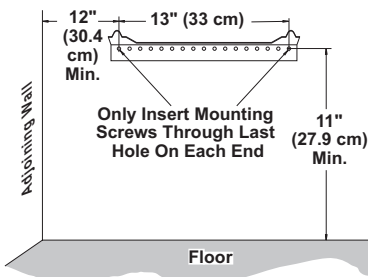


Figure 8 - Mounting Bracket Clearances

Attaching Mounting Bracket To Wall

Note: Wall anchors, mounting screws and spacers are in hardware package. The hardware package is provided with heater.

Attaching To Wall Stud Method

For attaching mounting bracket to wall studs

1. Drill holes at marked locations using 9/64" drill bit.
2. Place mounting bracket onto wall. Line up last hole on each end of bracket with holes drilled in wall.
3. Insert mounting screws through bracket and into wall studs.
4. Tighten screws until mounting bracket is firmly fastened to wall studs.

Attaching To Wall Anchor Method

For attaching mounting bracket to hollow walls (wall areas between studs) or solid walls (concrete or masonry)

1. Drill holes at marked locations using 5/16" drill bit. For solid walls (concrete or masonry), drill at least 1" deep.
2. Fold wall anchor as shown in Figure 9.

3. Insert wall anchor (wings first) into hole. Tap anchor flush to wall.
4. For thin walls [1/2" (1.3 cm) or less], insert red key into wall anchor. Push red key to "pop" open anchor wings. **IMPORTANT:** Do not hammer key! For thick walls [over 1/2" (1.3 cm) thick] or solid walls, do not pop open wings.
5. Place mounting bracket onto wall. Line up last hole on each end of bracket with wall anchors.
6. Insert mounting screws through bracket and into wall anchors.
7. Tighten screws until mounting bracket is firmly fastened to wall.

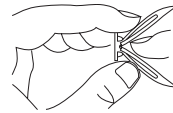


Figure 9 - Folding Anchor

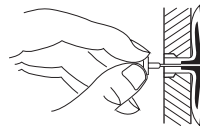


Figure 10 - Popping Open Anchor Wings For Thin Walls

Placing Heater On Mounting Bracket

1. Locate two horizontal slots on back panel of heater.
2. Place heater onto mounting bracket. Slide horizontal slots onto stand-out tabs on mounting bracket.

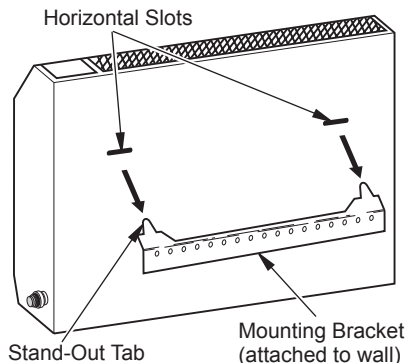


Figure 11 - Mounting Heater Onto Mounting Bracket

INSTALLATION

Continued

Installing Bottom Mounting Screws

1. Locate two bottom mounting holes. These holes are near bottom on back panel of heater (see Figure 12).
2. Mark screw locations on wall.
3. Remove heater from mounting bracket.
4. If installing bottom mounting screws into hollow or solid wall, install wall anchors. Follow steps 1 through 4 under *Attaching To Wall Anchor Method*, page 10.
If installing bottom mounting screw into wall stud, drill holes at marked locations using 9/64" drill bit.
5. Replace heater onto mounting bracket.
6. Place spacers between bottom mounting holes and wall anchor or drilled hole.
7. Hold spacer in place with one hand. With other hand, insert mounting screw through bottom mounting hole and spacer. Place tip of screw in opening of wall anchor or drilled hole.
8. Tighten both screws until heater is firmly secured to wall. Do not over tighten.

Note: Do not replace front panel at this time. Replace front panel after making gas connections and checking for leaks.

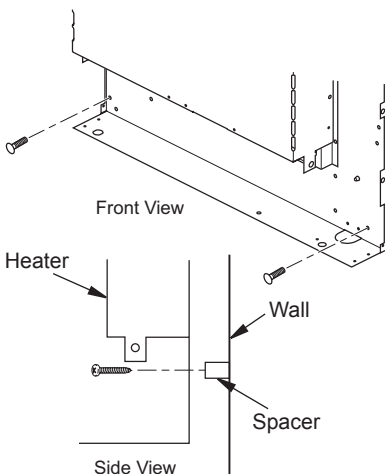


Figure 12 - Installing Bottom Mounting Screws

CONNECTING TO GAS SUPPLY

⚠ WARNING: This appliance requires a 3/8" NPT (National Pipe Thread) inlet connection to the pressure regulator.

⚠ WARNING: A qualified service person must connect heater to gas supply. Follow all local codes.

⚠ WARNING: For natural gas, never connect heater to private (non-utility) gas wells. This gas is commonly known as wellhead gas.

IMPORTANT: For natural gas, check gas line pressure before connecting heater to gas line. Gas line pressure must be no greater than 10.5 inches of water. If gas line pressure is higher, heater regulator damage could occur.

⚠ CAUTION: For propane/LP gas, never connect heater directly to the propane/LP supply. This heater requires an external regulator (not supplied). Install the external regulator between the heater and propane/LP supply.

For propane/LP gas, the installer must supply an external regulator. The external regulator will reduce incoming gas pressure. You must reduce incoming gas pressure to between 11 and 14 inches of water. If you do not reduce incoming gas pressure, heater regulator damage could occur. Install the external regulator with the vent pointing down as shown in Figure 13. Pointing the vent down protects it from freezing rain or sleet.

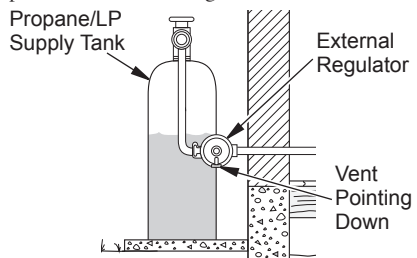


Figure 13 - External Regulator With Vent Pointing Down

INSTALLATION

Continued

⚠ CAUTION: Use only new, black iron or steel pipe. Internally-tinned copper tubing may be used in certain areas. Check your local codes. Use pipe of large enough diameter to allow proper gas volume to heater. If pipe is too small, undue loss of volume will occur.

Typical Inlet Pipe Diameter - 3/8" (9.5 mm) or greater

Installation must include equipment shutoff valve, union and plugged 1/8" NPT tap. Locate NPT tap within reach for test gauge hook up. NPT tap must be upstream from heater (see Figure 14).

IMPORTANT: Install an equipment shutoff valve in an accessible location. The equipment shutoff valve is for turning on or shutting off the gas to the appliance.

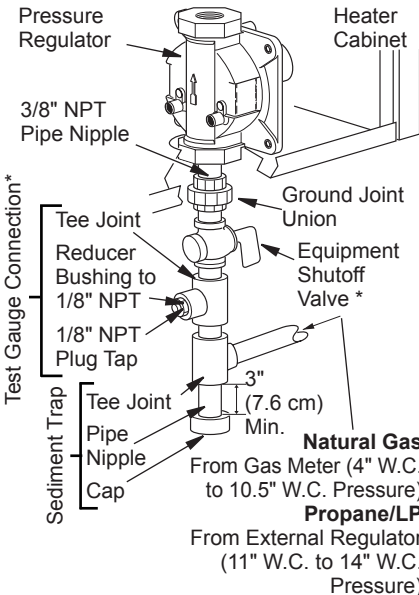


Figure 14 - Gas Connection

* A CSA design-certified equipment shutoff valve with 1/8" NPT tap is an acceptable alternative to test gauge connection. Purchase the optional CSA design-certified equipment shutoff valve from your dealer. See *Accessories*, page 23.

Apply pipe joint sealant lightly to male NPT threads. This will prevent excess sealant from going into pipe. Excess sealant in pipe could result in clogged heater valves.

⚠ WARNING: Use pipe joint sealant that is resistant to liquid petroleum (LP) gas.

Install sediment trap in supply line as shown in Figure 14. Locate sediment trap where it is within reach for cleaning. Locate sediment trap where trapped matter is not likely to freeze. A sediment trap traps moisture and contaminants. This keeps them from going into heater controls. If sediment trap is not installed or is installed wrong, heater may not run properly.

IMPORTANT: Hold the pressure regulator with wrench when connecting it to gas piping and/or fittings. Do not over tighten pipe connection to regulator. The regulator body could be damaged.

CHECKING GAS CONNECTIONS

⚠ WARNING: Test all gas piping and connections, internal and external to unit, for leaks after installing or servicing. Correct all leaks at once.

⚠ WARNING: Never use an open flame to check for a leak. Apply a noncorrosive leak detection fluid to all joints. Bubbles forming show a leak. Correct all leaks at once.

⚠ CAUTION: For propane/LP gas, make sure external regulator has been installed between propane/LP supply and heater. See guidelines under *Connecting to Gas Supply*, page 11.

INSTALLATION

Continued

PRESSURE TESTING GAS SUPPLY PIPING SYSTEM

Test Pressures In Excess Of 1/2 PSIG (3.5 kPa)

1. Disconnect appliance with its appliance main gas valve (control valve) and equipment shutoff valve from gas supply piping system. Pressures in excess of 1/2 psig will damage heater regulator.
2. Cap off open end of gas pipe where equipment shutoff valve was connected.
3. Pressurize supply piping system by either opening propane/LP supply tank valve for propane/LP gas or opening main gas valve located on or near gas meter for natural gas or using compressed air.
4. Check all joints of gas supply piping system. Apply a noncorrosive leak detection fluid to all joints. Bubbles forming show a leak.
5. Correct all leaks at once.
6. Reconnect heater and equipment shutoff valve to gas supply. Check reconnected fittings for leaks.

Test Pressures Equal To or Less Than 1/2 PSIG (3.5 kPa)

1. Close equipment shutoff valve (see Figure 15).
2. Pressurize supply piping system by either opening propane/LP supply tank valve for propane/LP gas or opening main gas valve located on or near gas meter for natural gas or using compressed air.
3. Check all joints from gas meter for natural gas (see Figure 16) or propane/LP supply tank for propane/LP gas, to equipment shutoff valve (see Figure 17). Apply a noncorrosive leak detection fluid to all joints. Bubbles forming show a leak.
4. Correct all leaks at once.

PRESSURE TESTING HEATER GAS CONNECTIONS

1. Open equipment shutoff valve (see Figure 15).
2. For natural gas open main gas valve located on or near gas meter. For propane/LP gas open propane/LP supply tank valve.
3. Make sure control knob of heater is in the OFF position.
4. Check all joints from equipment shutoff valve to thermostat gas valve (see Figure 16 or 17). Apply a noncorrosive leak detection fluid to all joints. Bubbles forming show a leak.

5. Correct all leaks at once.
6. Light heater (see *Operating Heater*, page 14). Check all other internal joints for leaks.
7. Turn off heater (see *To Turn Off Gas to Appliance*, page 15).
8. Replace front panel.

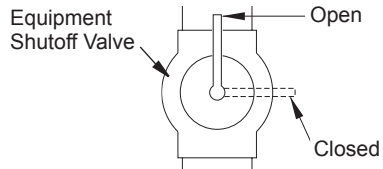


Figure 15 - Equipment Shutoff Valve

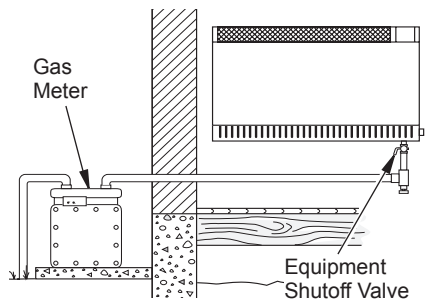


Figure 16 - Checking Gas Joints for Natural Gas

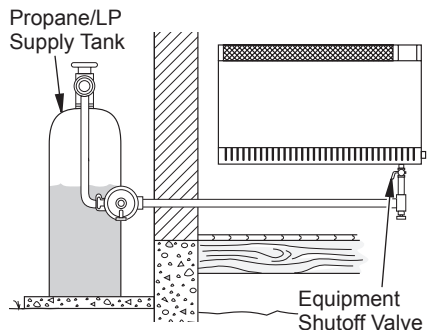


Figure 17 - Checking Gas Joints for Propane/LP Gas

INSTALLATION

Continued

CONNECTING TO ELECTRICAL SUPPLY

⚠ WARNING: Fan accessory must be grounded. Fan comes with a three-prong, grounding plug as shown in Figure 18. The plug is your protection against electrical shock. Plug it into a standard, three-hole, grounded, outlet. If cord needs replacing, use only a cord with a three-prong, grounding plug.

⚠ CAUTION: Label all wires prior to disconnection when servicing controls. Wiring errors can cause improper and dangerous operation (see page 22).

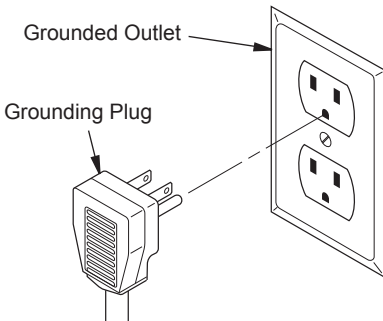


Figure 18 - Grounding Plug

EXTENSION CORD

Use extension cord if needed. The cord must have a three-prong, grounding plug and a three-hole receptacle. Make sure cord is in good shape. It must be heavy enough to carry the current needed. An undersized cord will cause a drop in line voltage. This will result in loss of power and overheating. Use a No. 16 AWG cord for lengths less than 50 feet (15.24 m).

⚠ CAUTION: Verify proper operation after servicing.

Operating Fan

The blower is connected to a thermostat. When unit heats up, the fan will operate. A few minutes after unit cycles off or is turned off, the fan will shut off. The fan will cycle on and off in this manner. *Note:* If you have a heater with a thermostat, the heater and fan will not turn off and on at exactly the same time. Fan cycle times will vary with the heat setting selected.

OPERATING HEATER

FOR YOUR SAFETY READ BEFORE LIGHTING

⚠ WARNING: If you do not follow these instructions exactly, a fire or explosion may result causing property damage, personal injury or loss of life.

- This appliance has a pilot which must be lighted by hand. When lighting the pilot, follow these instructions exactly.
- BEFORE LIGHTING** smell all around the appliance area for gas. Be sure to smell next to the floor because some gas is heavier than air and will settle on the floor.




WHAT TO DO IF YOU SMELL GAS

- Do not try to light any appliance.
 - Do not touch any electric switch; do not use any phone in your building.
 - Immediately call your gas supplier from a neighbor's phone. Follow the gas supplier's instructions.
 - If you cannot reach your gas supplier, call the fire department.
- Use only your hand to push in or turn the gas control knob. Never use tools. If the knob will not push in or turn by hand, don't try to repair it, call a qualified service technician. Force or attempted repair may result in a fire or explosion.
 - Do not use this appliance if any part has been under water. Immediately call a qualified service technician to inspect the appliance and to replace any part of the control system and any gas control which has been under water.

OPERATING HEATER

Continued

LIGHTING INSTRUCTIONS

1. STOP! Read the safety information, page 14.
2. Make sure equipment shutoff valve is fully open.
3. Turn off any electric power to the appliance if service is to be performed.
4. Turn control knob clockwise  to the OFF position.
5. Wait five minutes to clear out any gas. Then smell for gas, including near the floor. If you smell gas, STOP! Follow "B" in the safety information, page 14. If you don't smell gas, go to the next step.
6. Turn control knob counterclockwise  to the PILOT position. Press in control knob for five (5) seconds.
7. With control knob pressed in, push down and release ignitor button. This will light pilot. The pilot is attached to the front of burner. **Note:** You may be running this heater for the first time after hooking up to gas supply. If so, you may need to press in control knob for 30 seconds or more. This will allow air to bleed from the gas system. If needed, keep pressing ignitor button until pilot lights. If ignitor does not light pilot, refer to *Troubleshooting*, page 18 or contact a qualified service person or gas supplier for repairs. Until repairs are made, light pilot with match. To light pilot with match, see *Manual Lighting Procedure*, page 16.
8. Keep control knob pressed in for 30 seconds after lighting pilot. After 30 seconds, release control knob.
 - If control knob does not pop up when released, contact a qualified service person or gas supplier for repairs.**Note:** If pilot goes out, repeat steps 4 thru 7. Thermostat models have a safety interlock system. Wait one (1) minute before lighting pilot again.
9. Turn control knob counterclockwise  to desired heating level. The main burner should light.

⚠ WARNING: Always operate manual control heaters at the locked positions. Operation between these positions may create a possible health hazard if used in a poorly ventilated room. Read owner's manual for complete instructions.

⚠ CAUTION: Do not try to adjust heating levels by using the equipment shutoff valve.

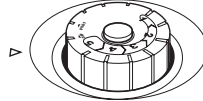


Figure 19 - Control Knob In The OFF Position

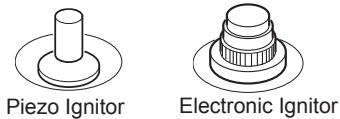


Figure 20 - Ignitor Buttons

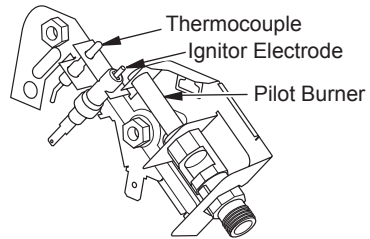




Figure 21 - Pilot (actual pilot may vary)

TO TURN OFF GAS TO APPLIANCE

Shutting Off Heater

1. Turn control knob clockwise  to the OFF position.
2. Turn off all electric power to the appliance if service is to be performed.

Shutting Off Burner Only (pilot stays lit)

Turn control knob clockwise  to the PILOT position.

THERMOSTAT CONTROL OPERATION

The thermostatic control used on these models differs from standard thermostats. Standard thermostats simply turn on and off the burner. The thermostat used on this heater senses the room temperature. The thermostat adjusts the amount of gas flow to the burner. This increases or decreases the burner flame height. At times the room may exceed the set temperature. If so, the burner will shut off. The burner will cycle back on when room temperature drops below the set temperature. The control knob can be set to any heat level between 1 and 5. Selecting the 5 setting will cause the burner to remain fully on without modulating down in most cases.

OPERATING HEATER

Continued

Note: The thermostat sensing bulb measures the temperature of air near the heater cabinet. This may not always agree with room temperature (depending on housing construction, installation location, room size, open air temperatures, etc.). Frequent use of your heater will let you determine your own comfort levels.

MANUAL LIGHTING PROCEDURE

1. Remove front panel (see Figure 6, page 9).
2. Follow steps 1 through 7 under *Lighting Instructions*, page 15.
3. With control knob pressed in, strike match. Hold match to pilot until pilot lights.
4. Keep control knob pressed in for 30 seconds after lighting pilot. After 30 seconds, release control knob. Now follow step 9, under *Lighting Instructions*, page 15.
5. Replace front panel.

INSPECTING HEATER

Check pilot flame pattern and burner flame pattern often.

PILOT FLAME PATTERN

Figure 22 shows a correct pilot flame pattern. Figure 23 shows an incorrect pilot flame pattern. The incorrect pilot flame is not touching the thermocouple. This will cause the thermocouple to cool. When the thermocouple cools, the heater will shut down.

If pilot flame pattern is incorrect, as shown in Figure 23

- turn heater off (see *To Turn Off Gas to Appliance*, page 15)
- see *Troubleshooting*, page 18

Note: The pilot flame on natural gas units will have a slight curve, but flame should be blue and have no yellow or orange color.

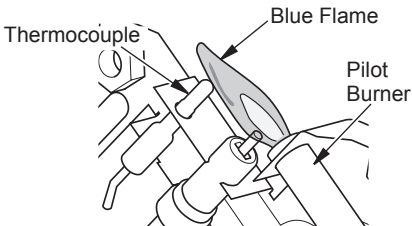


Figure 23 - Correct Pilot Flame Pattern

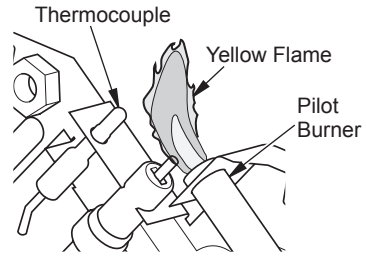


Figure 24 - Incorrect Pilot Flame Pattern

WARNING: If yellow tipping occurs, your heater could produce increased levels of carbon monoxide.

NOTICE: Do not mistake orange flames with yellow tipping. Dirt or other fine particles enter the heater and burn causing brief patches of orange flame.

Figure 24 shows a correct burner flame pattern. Figure 25 shows an incorrect burner flame pattern. The incorrect burner flame pattern shows yellow tipping of the flame. It also shows the flame higher than 1/2 the deflector panel height.

If burner flame pattern is incorrect, as shown in Figure 25

- turn heater off (see *To Turn Off Gas To Appliance*, page 15)
- see *Troubleshooting*, page 18

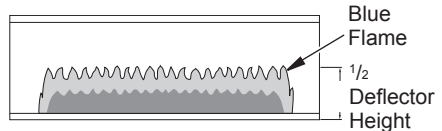


Figure 24 - Correct Burner Flame Pattern

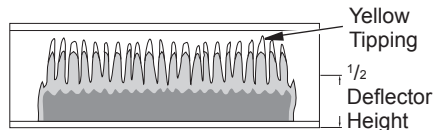


Figure 25 - Incorrect Burner Flame Pattern

CLEANING AND MAINTENANCE

WARNING: Turn off heater and let cool before cleaning.

CAUTION: You must keep control areas, burner and circulating air passageways of heater clean. Inspect these areas of heater before each use. Have heater inspected yearly by a qualified service person. Heater may need more frequent cleaning due to excessive lint from carpeting, bedding material, pet hair, etc.

WARNING: Failure to keep the primary air opening(s) of the burner(s) clean may result in sooting and property damage.

ODS/PILOT AND BURNER

Use a vacuum cleaner, pressurized air or small, soft bristled brush to clean.

BURNER PILOT AIR INLET

The primary air inlet holes allow the proper amount of air to mix with the gas. This provides a clean burning flame. Keep these holes clear of dust, dirt and lint. Clean these air inlet holes prior to each heating season. Blocked air holes will create soot. We recommend that you clean the unit every three months during operation and have heater inspected yearly by a qualified service person.

We also recommend that you keep the burner tube and pilot assembly clean and free of dust and dirt. To clean these parts we recommend using compressed air no greater than 30 PSI. Your local computer store, hardware store or home center may carry compressed air in a can. You can use a vacuum cleaner in the blow position. If using compressed air in a can, please follow the directions on the can. If you don't follow directions on the can, you could damage the pilot assembly.

1. Shut off the unit, including the pilot. Allow the unit to cool for at least thirty minutes.
2. Inspect burner, pilot for dust and dirt.
3. Blow air through the ports/slots and holes in the burner.
4. Never insert objects into the pilot tube.

Clean the pilot assembly also. A yellow tip on the pilot flame indicates dust and dirt in the pilot assembly. There is a small pilot air inlet about two inches from where the pilot flame comes out of the pilot assembly (see Figure 26). With the unit off, lightly blow air through the air inlet. You may blow through a drinking straw if compressed air is not available.

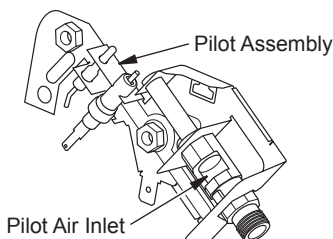


Figure 26 - Pilot Inlet Air - Propane/LP Pilot Shown (Actual Pilot May Vary from Illustration)

CABINET

Air Passageways

Use a vacuum cleaner or pressurized air to clean.

Exterior and Dark Acrylic Front Glass

Use a soft cloth dampened with a mild soap and water mixture. Wipe the cabinet to remove dust.

TROUBLESHOOTING

 **WARNING: Turn off and unplug heater and let cool before servicing. Only a qualified service person should service and repair heater.**

 **CAUTION: Never use a wire, needle or similar object to clean ODS/pilot. This can damage ODS/pilot unit.**

Note: All troubleshooting items are listed in order of operation.

OBSERVED PROBLEM	POSSIBLE CAUSE	REMEDY
When ignitor button is pressed, there is no spark at ODS/pilot	1. Ignitor electrode positioned wrong	1. Replace pilot assembly
	2. Ignitor electrode broken	2. Replace pilot assembly
	3. Ignitor electrode not connected to ignitor cable	3. Reconnect ignitor cable
	4. Ignitor cable pinched or wet	4. Free ignitor cable if pinched by any metal or tubing. Keep ignitor cable dry
	5. Broken ignitor cable	5. Replace ignitor cable
	6. Bad piezo ignitor	6. Replace piezo ignitor
When ignitor button is pressed, there is spark at ODS/pilot but no ignition	1. Gas supply turned off or equipment shutoff valve closed	1. Turn on gas supply or open equipment shutoff valve
	2. Control knob not in PILOT position	2. Turn control knob to PILOT position
	3. Control knob not pressed in while in PILOT position	3. Press in control knob while in PILOT position
	4. Air in gas lines when installed	4. Continue holding down control knob. Repeat igniting operation until air is removed
	5. Depleted gas supply (propane/LP gas only)	5. Contact local propane/LP gas company
	6. ODS/pilot is clogged	6. Clean ODS/pilot (see <i>Cleaning and Maintenance</i> , page 17) or replace ODS/pilot assembly
	7. Gas regulator setting is not correct	7. Replace gas regulator

TROUBLESHOOTING

Continued

OBSERVED PROBLEM	POSSIBLE CAUSE	REMEDY
ODS/pilot lights but flame goes out when control knob is released	1. Control knob not fully pressed in	1. Press in control knob fully
	2. Control knob not pressed in long enough	2. After ODS/pilot lights, keep control knob pressed in 30 seconds
	3. Safety interlock system has been triggered	3. Wait one minute for safety interlock system to reset. Repeat ignition operation
	4. Equipment shutoff valve not fully open	4. Fully open equipment shutoff valve
	5. Thermocouple connection loose at control valve	5. Hand tighten until snug, then tighten 1/4 turn more
	6. Pilot flame not touching thermocouple, which allows thermocouple to cool, causing pilot flame to go out. This problem could be caused by one or both of the following: A) Low gas pressure B) Dirty or partially clogged ODS/pilot	6. A) Contact local natural or propane/LP gas company B) Clean ODS/pilot (see <i>Cleaning and Maintenance</i> , page 17) or replace ODS/pilot assembly
	7. Thermocouple damaged	7. Replace pilot assembly
	8. Control valve damaged	8. Replace control valve
Burner does not light after ODS/pilot is lit	1. Burner orifice is clogged	1. Clean burner (see <i>Cleaning and Maintenance</i> , page 17) or replace burner orifice
	2. Inlet gas pressure is too low	2. Contact local natural or propane/LP gas company
Delayed ignition of burner	1. Manifold pressure is too low	1. Contact local natural or propane/LP gas company
	2. Burner orifice is clogged	2. Clean burner (see <i>Cleaning and Maintenance</i> , page 17) or replace burner orifice
Burner backfiring during combustion	1. Burner orifice is clogged or damaged	1. Clean burner (see <i>Cleaning and Maintenance</i> , page 17) or replace burner orifice
	2. Burner damaged	2. Replace burner
	3. Gas regulator defective	3. Replace gas regulator

TROUBLESHOOTING

Continued

OBSERVED PROBLEM	POSSIBLE CAUSE	REMEDY
Yellow flame during burner combustion	<ol style="list-style-type: none">1. Not enough air2. Gas regulator defective3. Clogged or dirty burner	<ol style="list-style-type: none">1. Check burner for dirt and debris. If found, clean burner (see <i>Cleaning and Maintenance</i>, page 17)2. Replace gas regulator3. Clean burner (see <i>Cleaning and Maintenance</i>, page 17)
Slight smoke or odor during initial operation	<ol style="list-style-type: none">1. Residues from manufacturing processes	<ol style="list-style-type: none">1. Problem will stop after a few hours of operation
Heater produces a whistling noise when burner is lit	<ol style="list-style-type: none">1. Turning control knob to 5 position when burner is cold2. Air in gas line3. Air passageways on heater blocked4. Dirty or partially clogged burner orifice	<ol style="list-style-type: none">1. Turn control knob to 1 position and let warm up for a minute2. Operate burner until air is removed from line. Have gas line checked by local natural or propane/LP gas company3. Observe minimum installation clearances (see Figure 4, page 8)4. Clean burner (see <i>Cleaning and Maintenance</i>, page 17) or replace burner orifice
White powder residue forming within burner box or on adjacent walls or furniture	<ol style="list-style-type: none">1. When heated, vapors from furniture polish, wax, carpet cleaners, etc. may turn into white powder residue	<ol style="list-style-type: none">1. Turn heater off when using furniture polish, wax, carpet cleaners or similar products
Blower fan does not come on	<ol style="list-style-type: none">1. Power cord not connected2. No power to electric outlet3. Time delay for thermal switch to warm up4. Bad switch5. Loose wire connection	<ol style="list-style-type: none">1. Connect power cord to 120V 60Hz outlet2. Have a qualified service person check for power at outlet3. Wait 4 to 5 minutes with the burner on4. Replace switch5. Reconnect wires
Heater produces a clicking/ticking noise just after burner is lit or shut off	<ol style="list-style-type: none">1. Metal expanding while heating or contracting while cooling	<ol style="list-style-type: none">1. This is common with most heaters. If noise is excessive, contact qualified service person

TROUBLESHOOTING

Continued



WARNING: If you smell gas

- **Shut off gas supply.**
- **Do not try to light any appliance.**
- **Do not touch any electrical switch; do not use any phone in your building.**
- **Immediately call your gas supplier from a neighbor's phone. Follow the gas supplier's instructions.**
- **If you cannot reach your gas supplier, call the fire department.**

IMPORTANT: Operating heater where impurities in air exist may create odors. Cleaning supplies, paint, paint remover, cigarette smoke, cements and glues, new carpet or textiles, etc., create fumes. These fumes may mix with combustion air and create odors.

OBSERVED PROBLEM	POSSIBLE CAUSE	REMEDY
Heater produces unwanted odors	<ol style="list-style-type: none">1. Heater burning vapors from paint, hair spray, glues, etc. (see <i>IMPORTANT</i> statement above)2. Low fuel supply (propane/LP gas only)3. Gas leak. See Warning statement above	<ol style="list-style-type: none">1. Ventilate room. Stop using odor causing products while heater is running2. Refill supply tank3. Locate and correct all leaks (see <i>Checking Gas Connections</i>, page 12)
Heater shuts off in use (ODS operates)	<ol style="list-style-type: none">1. Not enough fresh air is available2. Low line pressure3. ODS/pilot is partially clogged	<ol style="list-style-type: none">1. Open window and/or door for ventilation2. Contact local natural or propane/LP gas company3. Clean ODS/pilot (see <i>Cleaning and Maintenance</i>, page 17)
Gas odor even when control knob is in OFF position	<ol style="list-style-type: none">1. Gas leak. See Warning statement above2. Control valve defective	<ol style="list-style-type: none">1. Locate and correct all leaks (see <i>Checking Gas Connections</i>, page 12)2. Replace control valve
Gas odor during combustion	<ol style="list-style-type: none">1. Foreign matter between control valve and burner2. Gas leak. See Warning statement above	<ol style="list-style-type: none">1. Take apart gas tubing and remove foreign matter2. Locate and correct all leaks (see <i>Checking Gas Connections</i>, page 12)
Moisture/condensation noticed on windows	<ol style="list-style-type: none">1. Not enough combustion/ventilation air	<ol style="list-style-type: none">1. Refer to <i>Air for Combustion and Ventilation</i> requirements (page 5)

SPECIFICATIONS

LSL18NT, SL18NT and VSL18NT

- Natural Gas
- 9,000/18,000 Btu/Hr (Variable)
- Piezo or Electronic Ignition
- Pressure Regulator Setting - 3" W.C.
- Inlet Gas Pressure* (in. of water)
Maximum - 10.5" Minimum - 4"
- Dimensions (H x W x D)
Heater - 15.2" x 26.3" x 5.5" (38.6 x 66.8 x 14 cm)
Carton - 18.8" x 28.9" x 8" (47.8 x 73.4 x 20.3 cm)
- Weight
Heater - 23 lbs. (10.4 kg)
Shipping - 28 lbs. (12.7 kg)

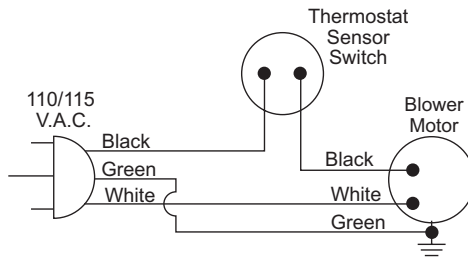
*For purposes of input adjustment

LSL18PT, SL18PT and VSL18PT

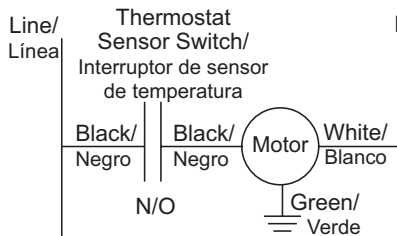
- Propane/LP Gas
- 9,000/18,000 Btu/Hr (Variable)
- Piezo or Electronic Ignition
- Pressure Regulator Setting - 10" W.C.
- Inlet Gas Pressure* (in. of water)
Maximum - 14" Minimum - 11"
- Dimensions (H x W x D)
Heater - 15.2" x 26.3" x 5.5" (38.6 x 66.8 x 14 cm)
Carton - 18.8" x 28.9" x 8" (47.8 x 73.4 x 20.3 cm)
- Weight
Heater - 23 lbs. (10.4 kg)
Shipping - 28 lbs. (12.7 kg)

WIRING DIAGRAMS

⚠ CAUTION: Label all wires prior to disconnection when servicing controls. Wiring errors can cause improper and dangerous operation. Verify proper operation after servicing.



Wiring Diagram

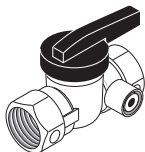


* If any of the original wire as supplied with the appliance must be replaced with type 105°C wire or its equivalent.
* En caso que se deba reemplazar alguno de los cables:

Electrical Ladder Diagram

ACCESSORIES

Purchase these heater accessories from your local dealer. If they can not supply these accessories, either contact your nearest *Parts Central* (see page 26) or call DESA Heating Products at 1-866-672-6040 for referral information. You can also write to the address listed on the back page of this manual.



EQUIPMENT SHUTOFF VALVE GA5010

For all models. Equipment shutoff valve with 1/8" NPT tap.

ELECTRONIC IGNITOR KIT - GA435 Not Shown

For all piezo ignitor models. Provides easier lighting of the pilot.

TECHNICAL SERVICE

You may have further questions about installation, operation or troubleshooting. If so, contact DESA Heating Products' Technical Service Department at 1-866-672-6040. When calling please have your model and serial numbers of your heater ready.

You can also visit DESA Heating Products' technical service web site at www.desatech.com.

SERVICE PUBLICATIONS

You can purchase a service manual from the address listed on the back page of this manual. Send a check for \$5.00 payable to DESA Heating Products.

REPLACEMENT PARTS

Note: Use only original replacement parts. This will protect your warranty coverage for parts replaced under warranty.

PARTS UNDER WARRANTY

Contact authorized dealers of this product. If they can't supply original replacement part(s), call DESA Heating Products' Technical Service Department at 1-866-672-6040.

When calling DESA Heating Products, have ready

- your name
- your address
- model and serial numbers of your heater
- how heater was malfunctioning
- type of gas used (propane/LP or natural gas)
- purchase date

Usually, we will ask you to return the part to the factory.

PARTS NOT UNDER WARRANTY

Contact authorized dealers of this product. If they can't supply original replacement part(s), either contact your nearest *Parts Central* (see page 26) or call DESA Heating Products at 1-866-672-6040 for referral information.

When calling DESA Heating Products, have ready

- model number of your heater
- the replacement part number

SERVICE HINTS

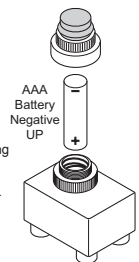
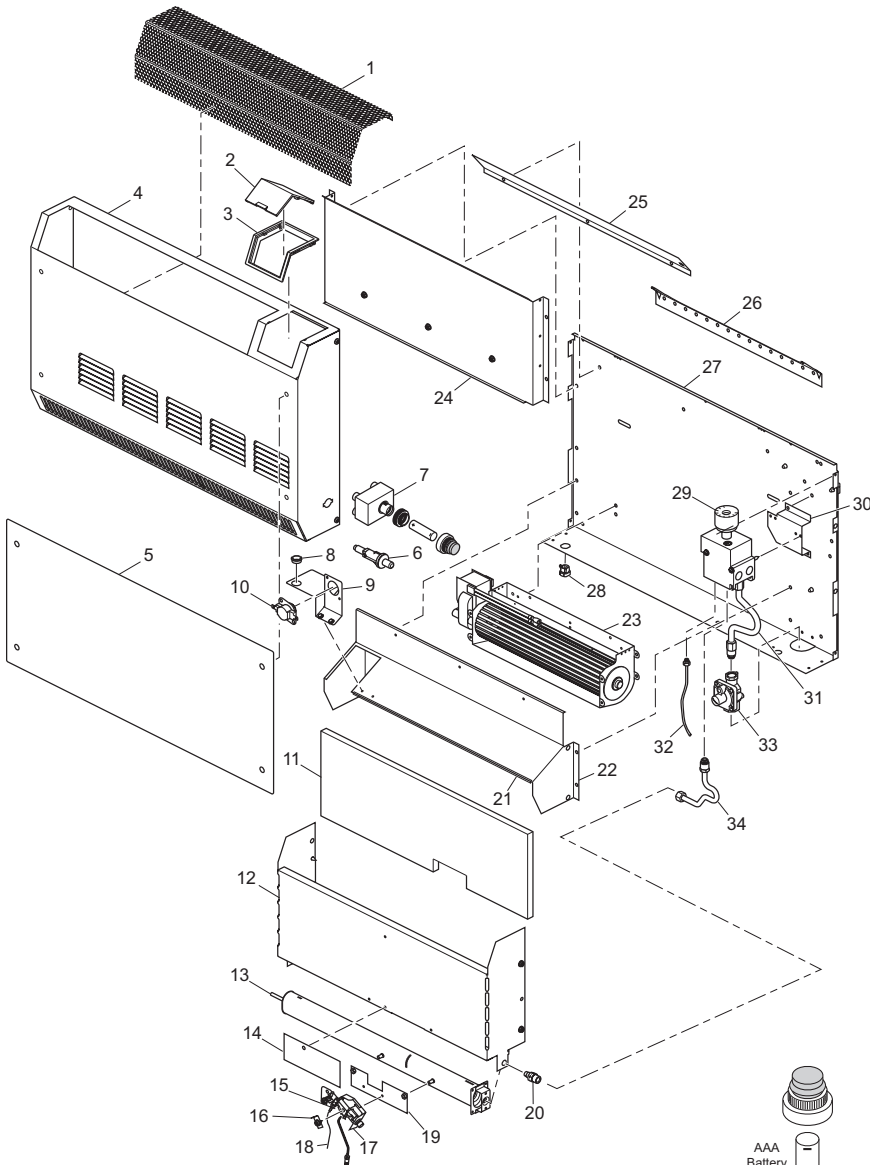
When Gas Pressure Is Too Low

- pilot will not stay lit
- burner will have delayed ignition
- heater will not produce specified heat
- propane/LP gas supply may be low

You may feel your gas pressure is too low. If so, contact your local natural or propane/LP gas supplier.

ILLUSTRATED PARTS BREAKDOWN

MODELS LSL18NT, LSL18PT, SL18NT, SL18PT, VSL18NT AND VSL18PT



Install Battery According To This Illustration (Determine which electronic ignitor your heater uses)

PARTS LIST

This list contains replaceable parts used in your heater. When ordering parts, follow the instructions listed under *Replacement Parts* on page 23 of this manual.

KEY NO.	PART NO.	DESCRIPTION							QTY.
			LSL18NT	LSL18PT	SL18NT	SL18PT	VSL18NT	VSL18PT	
1	116591-01BR	Painted Screen	•	•	•	•	•	•	1
2	116748-01	Plastic Door	•	•	•	•	•	•	1
3	116749-01	Door Housing	•	•	•	•	•	•	1
4	116667-01CK	Front Panel	•	•	•	•	•	•	1
5	116392-01	Dark Acrylic Glass	•	•	•	•	•	•	1
6	097159-04	Piezo Ignitor							1
7	111435-01	Electronic Ignitor	•	•					1
8	M50104-06	Shorty Bushing	•	•	•	•	•	•	1
9	116276-01	Switch Mounting Bracket	•	•	•	•	•	•	1
10	103972-02	Thermostat Sensor Switch	•	•	•	•	•	•	1
11	116283-01	Fiber Panel	•	•	•	•	•	•	1
12	116544-01	Fiber Surround	•	•	•	•	•	•	1
13	116282-01	Burner	•	•	•	•	•	•	1
14	116784-01	Radiation Shield	•	•	•	•	•	•	1
15	098249-01	ODS Pilot Nut	•	•	•	•	•	•	2
16	109121-02	Pilot Shield	•	•	•	•	•	•	1
17	110803-01	ODS Pilot, Natural	•	•					1
	110803-02	ODS Pilot, Propane/LP		•		•		•	1
18	098271-09	Ignitor Cable			•	•	•	•	1
	098271-11	Ignitor Cable	•	•					1
19	116679-01	Pilot Bracket	•	•	•	•	•	•	1
20	101004-08	Injector, Natural	•		•		•		1
	101004-10	Injector, Propane/LP		•		•		•	1
21	097785-11	Gasket	•	•	•	•	•	•	1
22	116528-01	Lower Blower Duct	•	•	•	•	•	•	1
23	116286-01	Blower	•	•	•	•	•	•	1
24	116529-01	Upper Blower Duct	•	•	•	•	•	•	1
25	116270-01	Top Baffle	•	•	•	•	•	•	1
26	099066-02	Mounting Bracket	•	•	•	•	•	•	1
27	116267-01	Back Panel	•	•	•	•	•	•	1
28	M11143-1	Strain Relief Bushing	•	•	•	•	•	•	1
29	098522-28	Gas Valve, Natural	•		•		•		1
	098522-07	Gas Valve, Propane/LP		•		•		•	1
30	102394-02	Control Bracket	•	•	•	•	•	•	1
31	116278-01	Inlet Tube	•	•	•	•	•	•	1
32	099387-11	Pilot Tube	•	•	•	•	•	•	1
33	099415-17	Gas Regulator, Natural	•		•		•		1
	099415-22	Gas Regulator, Propane/LP		•		•		•	1
34	116280-01	Outlet Tube	•	•	•	•	•	•	1
PARTS AVAILABLE — NOT SHOWN									
	110186-01	Thermocouple Kit	•	•	•	•	•	•	1
	098219-41	Power Cord	•	•	•	•	•	•	1
	100642-05	Hardware Bag	•	•	•	•	•	•	1
	116360-01	Lighting/Warning Tag (English)	•	•	•	•	•	•	1
	116360-02	Lighting/Warning Tag (Spanish)	•	•	•	•	•	•	1
	101584-08	Wiring Diagram	•	•	•	•	•	•	1
	116291-01	Control Decal	•	•	•	•	•	•	1

PARTS CENTRALS

These Parts Centrals are privately owned businesses. They have agreed to support our customer's needs by providing original replacement parts and accessories.

Tool & Equipment, Co.

5 Manila Ave
Hamden, CT 06514-0322
1-800-397-7553
203-248-7553
Parts Department

Portable Heater Parts

342 N. County Rd. 400 East
Valparaiso, IN 46383-9704
All States
219-462-7441
1-888-619-7060
sales@portableheaterparts.com
techservice@portableheaterparts.com

FBD

1349 Adams Street
Bowling Green, KY 42103-3414
270-846-1199
1-800-654-8534
Fax: 1-800-846-0090
franktalk@aol.com

Master Parts Dist.

1251 Mound Ave. NW
Grand Rapids, MI 49504-2672
616-791-0505
1-800-446-1446
Fax: 616-791-8270
www.nbmc.com

Washer Equipment Co.

1715 Main Street
Kansas City, MO 64108-2195
KS, MO, AR
816-842-3911
www.washerparts.com

East Coast Energy Products

707 Broadway
W. Long Branch, NJ 07764-1542
732-870-8809
1-800-755-8809
www.njplaza.com/ececp

21st Century

2950 Fretz Valley Road
Perkasie, PA 18944-4034
215-795-0400
800-325-4828

Laporte's Parts & Service

2444 N. 5th Street
Hartsville, SC 29550-7704
843-332-0191
Parts Department

Cans Unlimited, Inc.

P.O. Box 645
Taylor, SC 29687-0013
All States
803-879-3009
1-800-845-5301
cuisales@aol.com

NOTES

WARRANTY INFORMATION

KEEP THIS WARRANTY

Model _____
Serial No. _____
Date of Purchase _____

Always specify model and serial numbers when communicating with the factory.

We reserve the right to amend these specifications at any time without notice. The only warranty applicable is our standard written warranty. We make no other warranty, expressed or implied.

LIMITED WARRANTIES FOR NEW AND FACTORY RECONDITIONED PRODUCTS VENT-FREE RESIDENTIAL GAS HEATERS

New Products: DESA Heating Products warrants this heater and any parts thereof, to be free of defects in materials and workmanship for two (2) years from the date of first purchase, when operated and maintained in accordance with the manufacturer's instructions. These warranties are extended only to the original retail purchaser, when proof of purchase is provided.

Factory Reconditioned Heaters: DESA Heating Products warrants this factory reconditioned heater and any parts thereof, to be free of defects in materials and workmanship for thirty (30) days from the date of first purchase, when operated and maintained in accordance with the manufacturer's instructions. These warranties are extended only to the original retail purchaser, when proof of purchase is provided.

This warranty is extended only to the original retail purchaser. This warranty covers the cost of part(s) required to restore this heater to proper operating condition and an allowance for labor when provided by a DESA Heating Products Authorized Service Center. Warranty part(s) MUST be obtained through authorized dealers of this product and/or DESA Heating Products who will provide original factory replacement parts. Failure to use original factory replacement parts voids this warranty. The heater MUST be installed by a qualified installer in accordance with all local codes and instructions furnished with the unit.

This warranty does not apply to parts that are not in original condition because of normal wear and tear or parts that fail or become damaged as a result of misuse, accidents, lack of proper maintenance or defects caused by improper installation. Travel, diagnostic cost, labor, transportation and any and all such other costs related to repairing a defective heater will be the responsibility of the owner.

TO THE FULL EXTENT ALLOWED BY THE LAW OF THE JURISDICTION THAT GOVERNS THE SALE OF THE PRODUCT; THIS EXPRESS WARRANTY EXCLUDES ANY AND ALL OTHER EXPRESSED WARRANTIES AND LIMITS THE DURATION OF ANY AND ALL IMPLIED WARRANTIES, INCLUDING WARRANTIES OF MERCHANTABILITY AND FITNESS FOR A PARTICULAR PURPOSE TO TWO (2) YEARS ON ALL COMPONENTS FROM THE DATE OF FIRST PURCHASE; AND DESA HEATING PRODUCTS' LIABILITY IS HEREBY LIMITED TO THE PURCHASE PRICE OF THE PRODUCT AND DESA HEATING PRODUCTS SHALL NOT BE LIABLE FOR ANY OTHER DAMAGES WHATSOEVER INCLUDING INDIRECT, INCIDENTAL OR CONSEQUENTIAL DAMAGES.

Some states do not allow a limitation on how long an implied warranty lasts or an exclusion or limitation of incidental or consequential damages, so the above limitation on implied warranties or exclusion or limitation on damages may not apply to you.

This warranty gives you specific legal rights and you may also have other rights that vary from state to state.

For information about this warranty write:


INDOOR/OUTDOOR PRODUCTS
2701 Industrial Drive
P.O. Box 90004
Bowling Green, KY 42102-9004
www.desatech.com

Patent Pending

DESA™

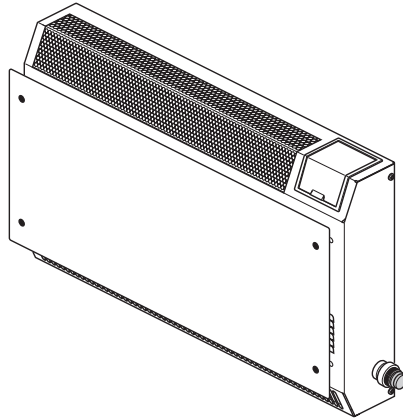
INDOOR/OUTDOOR PRODUCTS

CALENTADOR DE GAS DE FLAMA AZUL NO VENTILADO (SIN VENTILAS)

INFORMACIÓN DE SEGURIDAD Y MANUAL DE INSTALACIÓN



We recommend that our products be installed and serviced by professionals who are certified in the U.S. by NFI (National Fireplace Institute).
www.nficertified.org



MODELOS CON TERMOSTATO DE 18,000 BTU LSL18NT, LSL18PT, SL18NT, SL18PT, VSL18NT Y VSL18PT

ADVERTENCIA: si la información contenida en este manual no se sigue al pie de la letra, se puede producir un incendio o una explosión que podría ocasionar daños a la propiedad, lesiones personales o la pérdida de la vida.

- No guarde ni utilice gasolina u otros vapores y líquidos inflamables cerca de este aparato ni de cualquier otro.
- **QUÉ HACER SI PERCIBE OLOR A GAS**
 - No intente encender ningún aparato.
 - No toque ningún interruptor eléctrico; no use ningún teléfono en el edificio.
 - Llame inmediatamente a su proveedor de gas desde el teléfono de algún vecino. Siga las instrucciones del proveedor de gas.
 - Si no puede localizar al proveedor de gas, llame al departamento de bomberos.
- La instalación y el servicio deben ser realizados por un instalador capacitado, una agencia de servicio o el proveedor de gas.

Guarde este manual para referencias futuras.

Para obtener más información visite www.desatech.com
Download from www.Somanuals.com. All Manuals Search And Download.

ADVERTENCIA: la instalación, ajuste, alteración, servicio o mantenimiento inadecuados pueden provocar lesiones o daños a la propiedad. Consulte este manual para conocer los procedimientos de instalación y operación correctos. Para obtener asistencia o información adicionales consulte a un instalador capacitado, agencia de servicio o al proveedor de gas.

ADVERTENCIA: este es un calentador de llama de gas sin ventilación. Utiliza aire (oxígeno) de la habitación en la que se instala. Se deben tomar las medidas necesarias para asegurar que haya suficiente aire para ventilación y combustión. Consulte la sección *Aire para combustión y ventilación*, en la página 5 de este manual.

Este aparato puede ser instalado en una casa móvil con ubicación permanente y adquirida en el mercado de posventa*, siempre que no esté prohibido por los códigos locales.

Este aparato está diseñado para usarse únicamente con el tipo de gas indicado en la placa de clasificación. Este aparato no se puede convertir para que utilice otro tipo de gas.

* Mercado de posventa: venta completada por parte del fabricante, sin fines de reventa

Estado de Massachusetts: la instalación la debe realizar un plomero o un instalador de gas con licencia para ejercer en el Estado de Massachusetts.

Los vendedores de calentadores suplementarios de interiores a gas natural o propano no ventilados deben suministrar al comprador una copia del 527 CMR 30 al realizar la venta.


En el Estado de Massachusetts, está prohibido instalar aparatos de gas sin ventilación en dormitorios y baños.

TABLA DE CONTENIDO

Información de seguridad	3	Especificaciones	22
Códigos locales	4	Diagramas de cableado	22
Identificación del producto	4	Accesorios	23
Desempaque	4	Servicio técnico	23
Características del producto	4	Publicaciones de servicio	23
Aire para combustión y ventilación	5	Piezas de repuesto	23
Instalación	7	Consejos de reparaciones	23
Funcionamiento del calentador	14	Clasificación ilustrada de piezas y lista de piezas	24
Inspección del calentador	16	Centrales de piezas	26
Limpieza y mantenimiento	17	Información de garantía	Contraportada
Solución de problemas	18		

INFORMACIÓN DE SEGURIDAD

IMPORTANTE: lea este manual del propietario cuidadosa y completamente antes de intentar ensamblar, operar o dar servicio a este calentador. El uso inadecuado de este calentador puede causar lesiones graves o la muerte por quemaduras, incendio, explosión, electrocución e intoxicación con monóxido de carbono.


 **PELIGRO:** ¡la intoxicación con monóxido de carbono puede resultar en la muerte!

Intoxicación con monóxido de carbono: los síntomas iniciales de la intoxicación con monóxido de carbono son semejantes a los de la gripe, con dolores de cabeza, mareos y/o náusea. Si usted presenta estos síntomas, es posible que el calentador no esté funcionando correctamente. **¡Respire aire fresco inmediatamente!** Haga que le den servicio al calentador. El monóxido de carbono afecta más a algunas personas que a otras. Las más afectadas incluyen mujeres embarazadas, personas con enfermedades del corazón o de los pulmones o anemia, aquellas bajo la influencia del alcohol y aquellas a grandes altitudes.

Gas natural y propano o gas LP: los gases natural y propano o gas LP son gases combustibles. Los gases combustibles son inodoros. A los gases combustibles se les agrega un agente oloroso. El olor le ayuda a detectar las fugas de gas combustible. Sin embargo, el olor que se añade al gas combustible puede desvanecerse. Es posible que haya gas combustible presente aunque no haya ningún olor.

Asegúrese de leer y comprender todas las advertencias. Conserve este manual como referencia. Es la guía para la operación segura y correcta de este calentador.

 **ADVERTENCIA:** cualquier cambio que se haga a este calentador o a los controles puede ser peligroso.

 **ADVERTENCIA:** no utilice un aditamento de ventilador o de intercambio de calor, ni ningún otro accesorio que no esté aprobado para usarse con este calentador.

Debido a la alta temperatura que genera el aparato, éste debe colocarse fuera de las rutas de paso y alejado de muebles y cortinas.

No coloque ropa ni otros materiales inflamables sobre el aparato o cerca de él. Nunca coloque ningún objeto sobre el calentador.

La superficie del calentador alcanza temperaturas muy altas cuando éste está funcionando. Mantenga a niños y adultos alejados de las superficies calientes para evitar quemaduras o que la ropa se encienda. El calentador permanecerá caliente durante algún tiempo después de que se ha apagado. Permita que la superficie se enfríe antes de tocarla.

Vigile cuidadosamente a los niños pequeños cuando se encuentren en la misma habitación del calentador.

Antes de encender el calentador compruebe que el resguardo de la rejilla esté en su lugar.

Mantenga el área del aparato limpia y libre de materiales combustibles, gasolina y otros vapores y líquidos inflamables.

1. Este aparato está diseñado para usarse únicamente con el tipo de gas indicado en la placa de clasificación. Este aparato no se puede convertir para que utilice otro tipo de gas.
2. No ponga tanques de propano o gas LP dentro de ninguna estructura. Sitúe los tanques de suministro de propano o gas LP en el exterior.
3. Este calentador no se debe instalar en dormitorios ni baños.
4. Si percibe olor a gas
 - cierre el suministro de gas
 - no intente encender ningún aparato
 - no toque ningún interruptor eléctrico; no use ningún teléfono en el edificio
 - llame inmediatamente a su proveedor de gas desde el teléfono de algún vecino. Siga las instrucciones del proveedor de gas
 - si no puede localizar al proveedor de gas, llame al departamento de bomberos

INFORMACIÓN DE SEGURIDAD *Continuación*

- Este calentador necesita ventilación con aire fresco del exterior para funcionar correctamente. Este calentador tiene un sistema de apagado de seguridad mediante el sensor de agotamiento de oxígeno (ODS). El ODS apaga el calentador cuando no hay suficiente aire fresco en la habitación. Consulte *Aire para combustión y ventilación*, en la página 5.
- Mantenga limpias y libres de residuos todas las aberturas de las partes anterior e inferior del calentador. Esto asegurará que haya suficiente aire para que la combustión sea adecuada.
- Si el calentador se apaga, no lo vuelva a encender hasta que éste cuente con aire fresco del exterior. Si el calentador se sigue apagando, haga que lo reparen.
- No haga funcionar el calentador
 - Donde se utilicen o almacenen líquidos o vapores inflamables
 - En condiciones con mucho polvo
- Apague el calentador antes de usar pulidores de muebles, ceras, limpiadores de alfombras o productos parecidos. Si se calientan, los vapores que se desprenden de estos productos pueden producir un polvo blanco dentro de la caja del quemador o en las paredes y muebles adyacentes.
- No use el calentador si alguna de sus partes ha estado sumergida en agua. Llame inmediatamente a un técnico capacitado de servicio para que inspeccione el calentador y para que reemplace las piezas del sistema de control o los controles de gas que hayan estado sumergidos en agua.
- Apague el calentador y deje que se enfríe antes de repararlo. Sólo una persona de servicio capacitada debe repararlo y darle servicio.
- Hacer funcionar el calentador a alturas superiores de 1,371 metros (4,500 pies) puede ocasionar que el piloto se apague.
- Para evitar problemas de rendimiento, no use tanques de propano o gas LP de menos de 45 kg (100 lb) de capacidad.
- Procure que se cumplan las distancias mínimas alrededor de las aberturas de aire.

CÓDIGOS LOCALES

Instale y use el calentador con cuidado. Siga todos los códigos locales. A falta de códigos locales, utilice la edición más reciente del *Código nacional de gas combustible, ANSI Z223.1/NFPA 54**.

*Disponible en:

American National Standards Institute, Inc.

1430 Broadway

New York, NY 10018, EE.UU.

National Fire Protection Association, Inc.

Batterymarch Park

Quincy, MA 02269, EE.UU.

IDENTIFICACIÓN DEL PRODUCTO

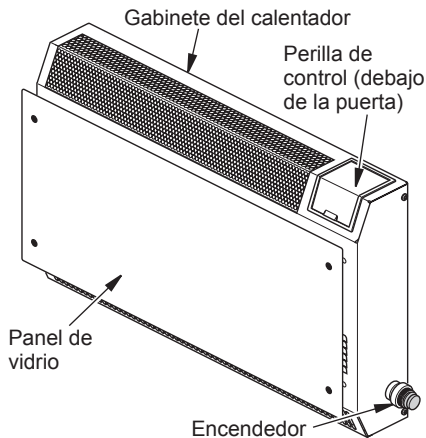


Figura 1 - Calentador de gas sin ventilación

DESEMPAQUE

- Saque el calentador de la caja.
- Retire todo el empaque de protección que se agregó al calentador para su envío.
- Revise el calentador para ver si hay algún daño debido al transporte. Si el calentador está dañado, informe de inmediato al distribuidor a quien se lo compró.

CARACTERÍSTICAS DEL PRODUCTO

DISPOSITIVO DE SEGURIDAD

Este calentador tiene un piloto con sistema de apagado de seguridad con sensor de agotamiento de oxígeno (ODS). El piloto con ODS es una característica necesaria para los calentadores sin ventilación para interiores. El piloto con ODS apaga el calentador cuando no hay suficiente aire fresco.

SISTEMA DE ENCENDIDO

Este calentador cuenta con ya sea encendido piezoeléctrico o bien encendido electrónico para encender el suministro de combustible.

CONTROL DE CALOR CON TERMOSTATO

Los modelos con termostato cuentan con un bulbo sensor de termostato y una válvula de control. Esto ofrece una mayor comodidad en el uso del calentador. También puede producir menores gastos por concepto de gas.

AIRE PARA COMBUSTIÓN Y VENTILACIÓN

⚠ ADVERTENCIA: este calentador no debe instalarse en un espacio confinado o en una construcción inusualmente sellada a menos que se hayan tomado medidas para proporcionar el aire adecuado para combustión y ventilación. Lea las instrucciones siguientes para asegurarse de que su hogar cuenta con la cantidad adecuada de aire fresco para éste y otros aparatos de combustión.

Hoy en día las casas están diseñadas para ser más eficientes en el ahorro de energía. Los nuevos materiales, un mejor aislamiento y los nuevos métodos de construcción ayudan a reducir la pérdida de calor en las casas. Los propietarios de las casas aíslan o aplican sellador alrededor de las ventanas y puertas para mantener el aire frío afuera y el caliente adentro. Durante la temporada de calor, los propietarios de las casas desean que sus hogares estén tan herméticos como sea posible.

Aunque es bueno hacer que su casa sea más eficiente en términos energéticos, ésta también necesita ventilación. Es necesario que entre aire fresco a su casa. Todos los aparatos que queman combustible necesitan aire fresco para que su combustión y su ventilación sean adecuadas.

Los ventiladores de expulsión de aire, las chimeneas, las secadoras de ropa y los aparatos que queman combustible toman aire de la casa durante su funcionamiento. Debe proporcionar suficiente aire fresco para estos aparatos. Esto asegurará que haya ventilación adecuada para los aparatos que queman combustible.

CÓMO PROVEER LA VENTILACIÓN ADECUADA

Los siguientes son extractos del *Código Nacional de Gas Combustible, ANSI Z223.1/NFPA 54, sección 5.3, Aire para combustión y ventilación*.

Todos los espacios en las casas se pueden clasificar en una de las siguientes tres categorías de ventilación:

1. Construcción inusualmente sellada
2. Espacio no confinado
3. Espacio confinado

La información de las páginas 5 a la 7 le ayudará a clasificar su espacio y procurar la ventilación adecuada.

Construcción inusualmente sellada

El aire que se filtra por los bordes de las puertas y ventanas puede proporcionar suficiente aire fresco para la combustión y la ventilación. Sin embargo, en los edificios que tienen una construcción inusualmente hermética, usted tiene que proporcionar aire fresco adicional.

Una construcción inusualmente sellada se define como aquella en la que:

- a. las paredes y los techos que están expuestos a la atmósfera exterior tienen un retardante continuo de vapor de agua con una clasificación de un perm (6×10^{-11} kg por pa-seg- m^2) o menor con aberturas selladas o con empaques, y
- b. se han instalado burletes en las ventanas que se pueden abrir y en las puertas y
- c. se han puesto selladores en las áreas como las uniones alrededor de los marcos de puertas y ventanas, entre las placas de base y los suelos, entre las uniones de las paredes con los techos, entre los paneles de las paredes, en las perforaciones para tubería de agua, líneas eléctricas y de gas, y en otras aberturas.

Si su casa cumple con los tres criterios anteriores, usted deberá proporcionar aire fresco adicional. Consulte *Aire del exterior para ventilación*, página 7.

Si su casa no cumple con los tres criterios anteriores, proceda a la *Determinación del flujo de aire fresco para la ubicación del calentador*, en la página 6.

Espacio confinado y no confinado

El Código Nacional de Gas Combustible, *ANSI Z223.1/NFPA 54* define el espacio confinado como aquel cuyo volumen es menor de 4.8 m^3 por kw (50 pies^3 por $1,000 \text{ BTU/h}$) de clasificación de entrada agregada de todos los aparatos instalados en ese espacio y define el espacio no confinado como aquel cuyo volumen es mayor de 4.8 m^3 por kw (50 pies^3 por $1,000 \text{ BTU/h}$) de clasificación de entrada agregada de todos los aparatos instalados en ese espacio. Las habitaciones que se comunican directamente con el espacio donde están instalados*, mediante accesos sin puertas, se consideran parte del espacio no confinado.

* Se considera que las habitaciones adyacentes están comunicadas sólo si hay accesos sin puertas o si hay rejillas de ventilación entre ellos.

AIRE PARA COMBUSTIÓN Y VENTILACIÓN

Continuación

DETERMINACIÓN DEL FLUJO DE AIRE FRESCO PARA LA UBICACIÓN DEL CALENTADOR

Cómo determinar si tiene un espacio confinado o no confinado

Utilice esta hoja de trabajo para determinar si tiene un espacio confinado o no confinado.

Espacio: incluye la habitación en donde se va a instalar el calentador más todas las habitaciones adyacentes que tengan acceso sin puerta o rejillas de ventilación entre ellas.

1. Determine el volumen del espacio (largo x ancho x altura).

Largo x ancho x altura = _____ metros cúbicos o pies cúbicos (volumen del espacio)

Ejemplo: tamaño del espacio 6.10 m (20 pies) de largo x 4.88 m (16 pies) de ancho x 2.44 m (8 pies) de altura del techo = 72.49 m³ (2560 pies cúbicos) (volumen del espacio)

Si se proporciona ventilación adicional a las habitaciones adyacentes mediante rejillas o aberturas, agregue el volumen de éstas al volumen total del espacio.

2. Multiplique el volumen del espacio por 20 para determinar la cantidad máxima de BTU/h que el espacio puede admitir.

_____ (volumen del espacio en pies³) x 20 = (cantidad máxima de BTU/h que el espacio puede admitir)

Ejemplo: 72.4 m³ (2,560 pies³) (volumen del espacio en pies³) x 20 = 51,200 (cantidad máxima de BTU/h que el espacio puede admitir)

3. Agregue la cantidad de BTU/h de todos los aparatos que queman combustible en ese espacio.

Calentador sin ventilación _____ BTU/h

Calentador de agua de gas* _____ BTU/h

Horno de gas _____ BTU/h

Calentador de gas con ventilación _____ BTU/h

Chimenea de gas _____ BTU/h

Otros aparatos de gas* + _____ BTU/h

Total = _____ BTU/h

* No incluya los aparatos de gas con ventilación directa. El sistema de ventilación directa toma el aire para combustión del exterior y ventila hacia el exterior.

Ejemplo:

calentador de agua de gas $\frac{40,000}{}$ BTU/h

Calentador sin ventilación + $\frac{18,000}{}$ BTU/h

Total = $\frac{58,000}{}$ BTU/h

4. Compare la cantidad máxima de BTU/h que el espacio puede admitir con la cantidad real de BTU/h que se utiliza.

_____ BTU/h (cantidad máxima que el espacio puede admitir)

_____ BTU/h (cantidad real de BTU/h que se utiliza)

Ejemplo: 51,200 BTU/h (cantidad máxima que el espacio puede admitir)

58,000 BTU/h (cantidad real de BTU/h que se utilizan)

El espacio del ejemplo anterior es un espacio confinado por que la cantidad real de BTU/h que se utiliza es mayor que la cantidad máxima de BTU/h que el espacio puede admitir. Se tiene que proporcionar aire fresco adicional. Cuenta con las siguientes opciones:

- A. Vuelva a calcular la hoja de trabajo, agregando el espacio de una habitación adyacente. Si el espacio adicional genera un espacio no confinado, quite la puerta de la habitación adyacente o instale rejillas de ventilación entre las habitaciones. Consulte *Aire del interior de la construcción para ventilación*, página 7.
- B. Ventile la habitación directamente desde el exterior. Consulte *Aire del exterior para ventilación*.
- C. Instale un calentador de menos BTU/h, si una menor cantidad de BTU/h hace que la habitación sea no confinada.

Si la cantidad actual de BTU/h que se utiliza es menor que la cantidad máxima que el espacio puede admitir, el espacio es no confinado. No necesitará ventilación adicional de aire fresco.



ADVERTENCIA: si el área en donde vaya a funcionar el calentador es más chica que la que se define como espacio no confinado, o bien, si el edificio presenta una construcción inusualmente sellada, proporcione aire suficiente para combustión y ventilación mediante uno de los métodos descritos en el *Código Nacional de Gas Combustible, ANSI Z223.1/ NFPA 54 sección 5.3* o en los códigos locales aplicables.

AIRE PARA VENTILACIÓN

Aire del interior de la construcción para ventilación

Este aire fresco viene de un espacio adyacente no confinado. Cuando se ventila mediante un espacio adyacente no confinado, debe haber dos aberturas

AIRE PARA COMBUSTIÓN Y VENTILACIÓN

Continuación

permanentes en la pared que está entre los dos espacios: una abertura a 30.4 cm (12 pulgadas) del techo y otra a 30.4 cm (12 pulgadas) del piso (consulte las opciones 1 y 2, figura 2). También se puede quitar la puerta de la habitación adyacente (consulte la opción 3, figura 2). Consulte el *Código Nacional de Gas Combustible, ANSI Z223.1/NFPA 54, Sección 5.3, Aire para combustión y ventilación* para conocer el tamaño requerido de las rejillas o conductos de ventilación.

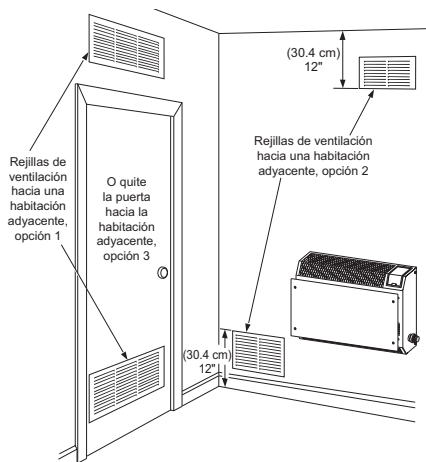


Figura 2 - Aire del interior de la construcción para ventilación

Aire del exterior para ventilación

Proporcione aire fresco adicional mediante el uso de rejillas o conductos de ventilación. Debe haber dos aberturas permanentes: una a 30.4 cm (12 pulgadas) del techo y otra a 30.4 cm (12 pulgadas) del suelo. Conecte estos elementos directamente al exterior o a los espacios que estén abiertos al exterior. Estos espacios incluyen áticos y espacios debajo del suelo de la casa. Consulte el *Código Nacional de Gas Combustible, ANSI Z223.1/NFPA 54, Sección 5.3, Aire para combustión y ventilación* para conocer el tamaño requerido de las rejillas o conductos de ventilación.

IMPORTANTE: no proporcione aberturas de entrada y salida de aire hacia el ático si éste tiene ventilación eléctrica controlada por un termostato. El aire caliente que entre al ático activará la ventilación eléctrica.

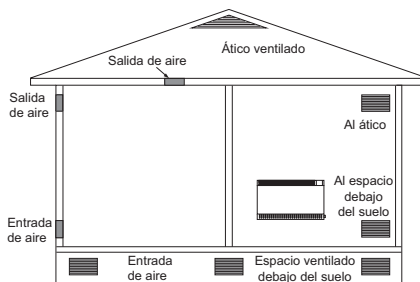


Figura 3 - Aire del exterior para ventilación

INSTALACIÓN

AVISO: este calentador está diseñado para utilizarse como calefacción adicional. Use este calentador junto con su sistema de calefacción principal. No instale este calentador como fuente de calefacción principal. Si tiene un sistema de calefacción central, puede activar el ventilador de circulación del sistema mientras utiliza el calentador. Esto ayudará a que el calor circule en toda la casa. En caso de que se presente una interrupción de la energía eléctrica, puede usar este calentador como su fuente de calefacción principal.

⚠ ADVERTENCIA: una persona de servicio capacitada debe instalar el calentador. Siga todos los códigos locales.

VERIFIQUE EL TIPO DE GAS

Use únicamente el tipo de gas correcto (natural, propano o LP). Si el suministro de gas no es del tipo correcto, no instale el calentador. Llame al distribuidor al que le compró el calentador para adquirir el tipo de calentador correcto.

⚠ ADVERTENCIA: este aparato está equipado para utilizar gas (natural, propano o gas LP). Las conversiones en el lugar no están permitidas.

INSTALACIÓN

Continuación

ARTÍCULOS DE INSTALACIÓN

Antes de instalar el calentador, asegúrese de tener los elementos que se indican a continuación.

- Para propano o gas LP, un regulador externo (proporcionado por el instalador).
- Tubería (consulte los códigos locales).
- Sellador (resistente al propano o gas LP).
- Válvula de cierre del equipo*.
- Unión terminal con conexión a tierra.
- Trampa de sedimentos.
- Unión T.
- Llave para tubería.
- Para gas natural, conexión para medidor de prueba*.

* Una válvula de cierre de equipo con diseño certificado por la CSA con rosca tipo NPT de 1/8 de pulgada es una alternativa aceptable a la conexión de medidor de prueba. La válvula opcional de cierre de equipo con diseño certificado por la CSA la puede adquirir con su distribuidor. Consulte *Accesorios*, página 23.

UBICACIÓN DEL CALENTADOR

Este calentador está diseñado para montarse en una pared.

⚠ ADVERTENCIA: mantenga las distancias mínimas que se muestran en la figura 4, en la página 9. Si puede, proporcione distancias mayores respecto al suelo, al techo y a las paredes adyacentes.

⚠ ADVERTENCIA: nunca instale el calentador

- en un dormitorio o baño
- en un vehículo recreativo
- donde cortinas, muebles, ropa u otros objetos inflamables estén a menos de 92 cm (36 pulgadas) de las partes anterior, superior o laterales del calentador
- como elemento de una chimenea
- en áreas de mucho tráfico
- en áreas con mucho viento o con corrientes de aire fuertes.

⚠ PRECAUCIÓN: este calentador crea corrientes de aire caliente. Dichas corrientes mueven el calor hacia la superficie de las paredes próximas al calentador. La instalación del calentador cerca de recubrimientos de vinilo o de tela en paredes o la operación del calentador en lugares donde existan impurezas en el aire (como humo de tabaco, velas aromáticas, líquidos limpiadores, lámparas de aceite o keroseno, entre otros), puede descolorar las paredes o producir olores.

IMPORTANTE: los calentadores sin ventilación añaden humedad al aire. Aunque esto es benéfico, la instalación del calentador en habitaciones sin suficiente aire de ventilación puede ocasionar la formación de moho debido al exceso de humedad. Consulte *Aire para combustión y ventilación*, en la página 5. Si hay mucha humedad, se puede utilizar un deshumidificador para ayudar a reducir el vapor de agua contenido en el aire.

⚠ PRECAUCIÓN: si instala el calentador en la chochera de una casa :

- el piloto y el quemador del calentador deberán estar por lo menos a 45.7 cm (18 pulgadas) sobre el suelo,
- sitúe el calentador donde algún vehículo en movimiento no lo pueda golpear.

Para mayor comodidad y eficiencia, instale el calentador

- donde haya fácil acceso para la operación, inspección y reparación,
- en la parte más fría de la habitación.

Sitúe el calentador cerca de un enchufe eléctrico de 120 V 60 Hz (voltaje común en casas habitación).

INSTALACIÓN

Continuación

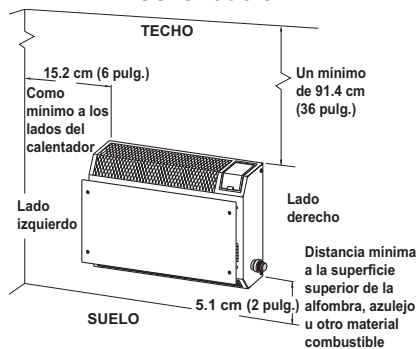


Figura 4 - Distancias mínimas de montaje vistas desde la parte anterior del calentador

INSTALACIÓN DEL CALENTADOR EN LA PARED

Soporte de montaje

Localice el soporte de montaje en la caja del calentador. Saque el soporte de montaje de la caja del calentador.

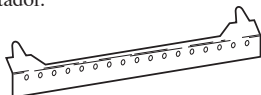


Figura 5 - Soporte de montaje

Desmontaje del panel anterior del calentador

1. Quite los cuatro tornillos, dos a cada lado del panel anterior.
2. Tire del panel anterior para separarlo un poco de la base, sólo de 5 a 7.6 cm (2 o 3 pulgadas).
3. Desconecte el cable del encendido que se localiza en la esquina inferior derecha del calentador.
4. Levante el panel para quitarlo, colóquelo a un lado.
5. Retire todos los materiales de empaque restantes.

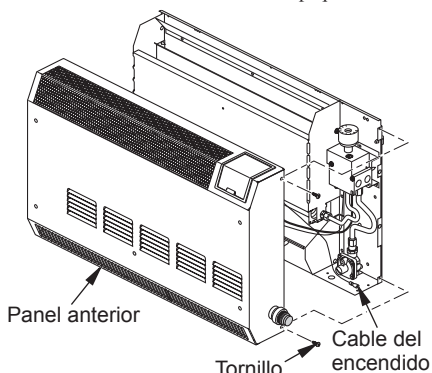


Figura 6 - Desmontaje del panel anterior del calentador

Instalación del panel de vidrio

Los artículos del paquete de ferretería que se necesitan son:

- 1 - Buje
 - 4 - Separadores negros
 - 4 - Clips de sujeción
 - 4 - Tornillos de 1.5 pulg
 - 4 - Tapas de tornillo
1. Localice el paquete de ferretería y el vidrio de acrílico oscuro.
 2. Despegue la película protectora de ambos lados del vidrio.
 3. Introduzca el buje en el orificio central del frente del panel anterior (consulte la figura 7).
 4. Ponga el panel anterior boca abajo. Presiónelo con cuidado contra una superficie dura para que el buje entre en el orificio. Voltee el panel, boca arriba.
 5. Ponga los separadores en los cuatro orificios del panel anterior como se muestra en la figura 7.
 6. Coloque el vidrio sobre los separadores, alineando los orificios. *Nota:* puede voltear el vidrio en caso que éste se raye o estropee por el uso normal.
 7. Ponga los cuatro clips de sujeción sobre los orificios del vidrio.
 8. Introduzca los tornillos en cada orificio, pero no los apriete todavía.
 9. Compruebe que el borde del vidrio coincida con el borde de la superficie anterior superior del panel anterior. Apriete los tornillos.
 10. Ponga las tapas de tornillo en los clips de sujeción.

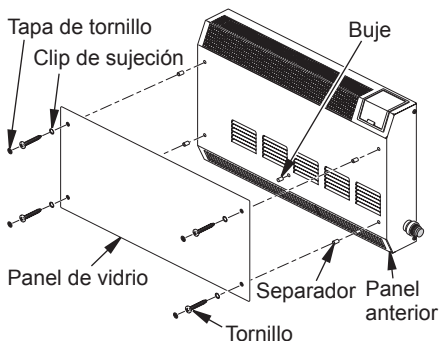


Figura 7 - Instalación del panel de vidrio

Métodos para fijar el soporte de montaje a la pared

Use únicamente el último orificio de cada extremo del soporte de montaje para fijarlo a la pared. Entre estos dos orificios hay 33 cm (13 pulgadas) de distancia. Fije el soporte de montaje a la pared mediante una de las dos maneras siguientes:

1. Instalación en viga de pared
2. Instalación en anclaje de pared

INSTALACIÓN

Continuación

Instalación en viga de pared: con este método la instalación queda más resistente. Inserte los tornillos de montaje en el soporte de montaje y en los maderos de la pared.

Instalación en anclaje de pared: con este método se puede montar el soporte en paredes huecas (área entre las vigas) o en paredes sólidas (de concreto o mampostería).

Decida cuál método se ajusta mejor a sus necesidades. Cualquiera de los dos métodos proporcionará un apoyo seguro para el soporte de montaje.

Cómo marcar las ubicaciones de los tornillos

1. Fije el soporte de montaje a la pared con cinta, en el lugar donde estará situado. Asegúrese de que el soporte de montaje esté nivelado.



ADVERTENCIA: mantenga las distancias mínimas que se muestran en la figura 8. Si puede, proporcione distancias mínimas mayores con respecto al suelo y la pared de unión.

2. Marque las ubicaciones de los tornillos en la pared (consulte la figura 8).

Nota: marque únicamente el último orificio de cada extremo del soporte de montaje. Inserte los tornillos de montaje en estos orificios solamente.

3. Quite la cinta y el soporte de montaje de la pared.

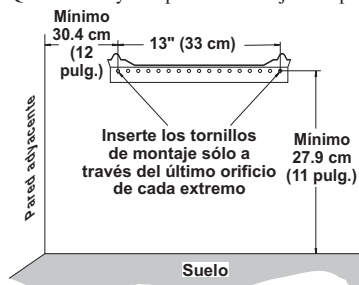


Figura 8 - Distancias mínimas del soporte de montaje

Instalación del soporte de montaje a la pared

Nota: los anclajes de pared, tornillos de montaje y separadores están en el paquete de ferretería. El paquete de ferretería se incluye con el calentador.

Método de instalación en maderos de pared

Para fijar el soporte de montaje a las vigas de la pared

1. Perfore orificios en los lugares marcados utilizando una broca de 5/16 de pulgada.
2. Coloque el soporte de montaje en la pared. Alinee el último orificio de cada extremo del soporte con los orificios que perforó en la pared.
3. Inserte los tornillos de montaje en el soporte y en los maderos de la pared.

4. Apriete los tornillos hasta que el soporte de montaje esté asegurado firmemente a los maderos de la pared.

Método de instalación en anclajes de pared

Para fijar el soporte de montaje en paredes huecas (el área entre las vigas) o en paredes sólidas (de concreto o mampostería)

1. Perfore orificios en los lugares marcados utilizando una broca de 5/16 de pulgada. Para las paredes sólidas (de concreto o mampostería), perfore a una profundidad de al menos 1 pulgada.
2. Doble el anclaje de pared como se muestra en la figura 9.
3. Inserte el anclaje de pared (las alas primero) en el orificio. Golpee suavemente el anclaje para introducirlo en la pared.
4. Para paredes delgadas, de 1.3 cm (1/2 pulgada) o menos, inserte la llave roja en el anclaje de pared. Empuje la llave roja para abrir las alas del anclaje. **IMPORTANTE:** no golpee la llave con un martillo! para paredes gruesas, de más de 1.3 cm (1/2 pulgada) de ancho, o paredes sólidas, no abra las alas.
5. Coloque el soporte de montaje en la pared. Alinee el último orificio de cada extremo del soporte con los anclajes de pared.
6. Inserte los tornillos de montaje en el soporte y en los anclajes de pared.
7. Apriete los tornillos hasta que el soporte de montaje esté asegurado firmemente a la pared.



Figura 9 - Cómo doblar el anclaje

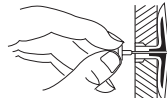


Figura 10 - Cómo abrir las alas del anclaje para paredes delgadas

Colocación del calentador en el soporte de montaje

1. Localice las dos ranuras horizontales en el panel posterior del calentador.
2. Coloque el calentador en el soporte de montaje. Deslice las ranuras horizontales hacia las lengüetas salientes del soporte de montaje.

Ranuras horizontales

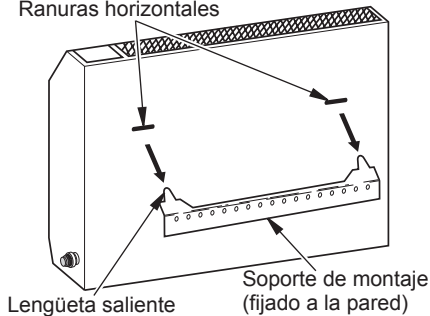


Figura 11 - Montaje del calentador en el soporte de montaje

INSTALACIÓN

Continuación

Instalación de los tornillos de montaje inferiores

1. Localice los dos orificios de montaje inferiores. Estos orificios se encuentran cerca de la parte inferior del panel posterior del calentador (consulte la figura 12).
2. Marque la ubicación de los tornillos en la pared.
3. Quite el calentador del soporte de montaje.
4. Si va a instalar los tornillos de montaje inferiores en una pared hueca o sólida, instale los anclajes de pared. Siga los pasos 1 al 4 del *Método de instalación en anclajes de pared*, en la página 10. Si va a instalar el tornillo inferior de montaje en el madero de la pared, perforo orificios con una broca de 9/16 de pulgada en las ubicaciones marcadas.
5. Vuelva a colocar el calentador en el soporte de montaje.
6. Coloque los separadores entre los orificios de montaje inferiores y el anclaje de pared o el orificio que perforó.
7. Sostenga el separador en su sitio con una mano. Con la otra mano, inserte el tornillo de montaje en el orificio inferior de montaje y el separador. Coloque la punta del tornillo en la abertura del anclaje de pared o del orificio que perforó.
8. Apriete los tornillos hasta que el calentador esté asegurado firmemente a la pared. No los apriete demasiado.

Nota: no coloque el panel anterior en este momento. Ponga el panel anterior en su lugar hasta después de haber hecho las conexiones de gas y haber revisado que no haya fuga.

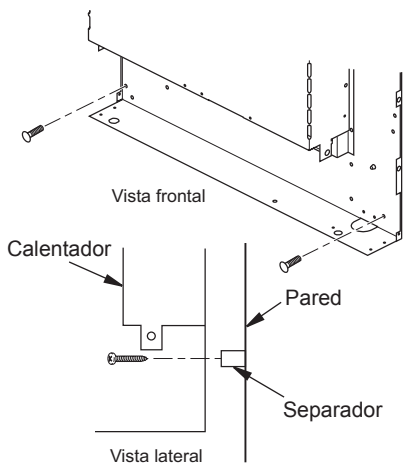


Figura 12 - Instalación de los tornillos de montaje inferiores

CONEXIÓN AL SUMINISTRO DE GAS

⚠ ADVERTENCIA: este aparato requiere una conexión de entrada tipo NPT (Rosca de tubería nacional) de 3/8 de pulgada al regulador de presión.

⚠ ADVERTENCIA: una persona de servicio capacitada debe conectar el calentador al suministro de gas. Siga todos los códigos locales.

⚠ ADVERTENCIA: para gas natural, nunca conecte el calentador a pozos de gas privados (que no sean de servicio público). Este gas se conoce comúnmente como gas de pozo.

IMPORTANTE: para gas natural, verifique la presión de la línea de gas antes de conectar el calentador a la misma. La presión de la línea de gas no debe ser de más de 10,5 pulgadas de agua. Si la presión de la línea de gas es mayor, se pueden producir daños al regulador del calentador.

⚠ PRECAUCIÓN: para propano o gas LP, nunca conecte el calentador directamente al suministro de propano o gas LP. Este calentador requiere un regulador externo (no se incluye). Instale el regulador externo entre el calentador y el suministro de propano o gas LP.

Para propano o gas LP, el instalador debe proveer un regulador externo. El regulador externo reducirá la presión del gas entrante. Usted debe reducir la presión del gas entrante de manera que esté entre 11 y 14 pulgadas de agua. Si no reduce la presión del gas entrante, se pueden producir daños al regulador del calentador. Instale el regulador externo con la ventosa apuntando hacia abajo, como se muestra en la figura 13. Si apunta la ventila hacia abajo se protege de la lluvia helada o aguanieve.

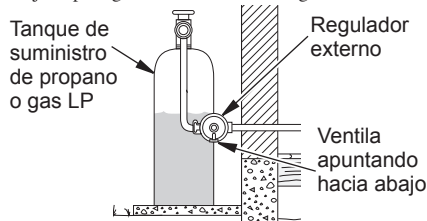


Figura 13 - Regulador externo con la ventosa apuntando hacia abajo

INSTALACIÓN

Continuación

⚠ PRECAUCIÓN: utilice únicamente tubería nueva de hierro negro o de acero. En ciertas áreas, se puede usar tubería de cobre galvanizada internamente. Consulte los códigos locales. utilice tubería de un diámetro lo suficientemente grande para que permita el paso del volumen de gas adecuado al calentador. Si la tubería es demasiado angosta, se producirá una pérdida indebida de volumen.

Diámetro común de las tuberías de entrada: 9.5 mm (3/8 pulgada) o más

La instalación debe incluir la válvula de cierre del equipo, la unión y el tapón con rosca de 1/8 de pulgada tipo NPT. Sitúe la conexión NPT a su alcance para la conexión del medidor de prueba. La conexión NPT debe estar antes del calentador (consulte la figura 14).

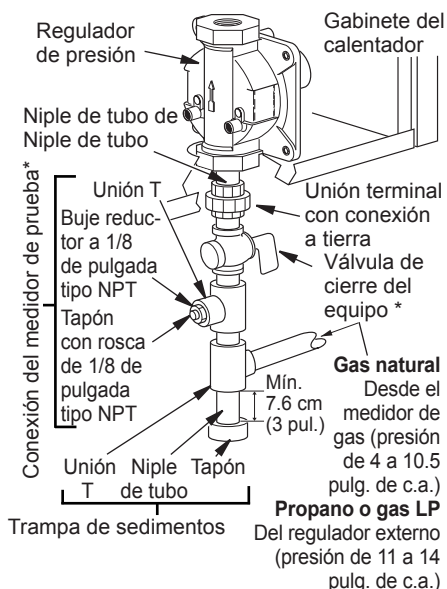


Figura 14 - Conexión de gas

* Una válvula de cierre de equipo con diseño certificado por la CSA con rosca tipo NPT de 1/8 de pulgada es una alternativa aceptable a la conexión de medidor de prueba. Adquiera la válvula opcional de cierre de equipo certificada con diseño CSA del distribuidor. Consulte *Accesorios*, en la página 23.

IMPORTANTE: instale una válvula de cierre del equipo en un lugar que sea accesible. La válvula de cierre del equipo es para abrir o cerrar el suministro de gas al aparato.

Aplique una pequeña cantidad de sellador de tubería a las roscas NPT macho. Esto evitará que el exceso de sellador entre a la tubería. El exceso de sellador en la tubería puede ocasionar que las válvulas del calentador se tapen.

⚠ ADVERTENCIA: use sellador para tubería que sea resistente al gas de petróleo líquido (LP).

Instale la trampa de sedimentos en la línea de suministro como se muestra en la figura 14. Sitúe la trampa de sedimentos de manera que esté accesible para limpieza. Sitúe la trampa de sedimentos donde sea poco probable que los materiales atrapados en ella se congelen. La trampa de sedimentos atrapa humedad y contaminantes. Esto evita que éstos lleguen a los controles del calentador. Si la trampa de sedimentos no se instala o se instala incorrectamente, es posible que el calentador no funcione correctamente.

IMPORTANTE: sujete el regulador de presión con una llave cuando lo conecte a la tubería de gas o a otros conectores. No apriete demasiado la conexión de la tubería al regulador. El cuerpo del regulador se podría dañar.

REVISIÓN DE LAS CONEXIONES DE GAS

⚠ ADVERTENCIA: pruebe todas las conexiones y tubería de gas, tanto internas como externas, para verificar que no haya fugas después de la instalación o reparación. Repare todas las fugas inmediatamente.

⚠ ADVERTENCIA: nunca use una llama al descubierto para buscar fugas. Aplique algún líquido no corrosivo para detectar fugas en todas las uniones. La formación de burbujas indicará una fuga. Repare todas las fugas inmediatamente.

⚠ PRECAUCIÓN: para propano o gas LP, asegúrese de que el regulador externo se haya instalado entre el suministro de propano o gas LP y el calentador. Consulte las directrices en *Conexión al suministro de gas* en la página 11.

INSTALACIÓN

Continuación

PRUEBAS DE PRESIÓN EN EL SISTEMA DE TUBERÍA DEL SUMINISTRO DE GAS

Pruebas de presión mayores a 1/2 PSI (3.5 kPa)

1. Desconecte el aparato del sistema de tubería de suministro de gas por medio de la válvula principal de gas del aparato (válvula de control) y de la válvula de cierre del equipo. Las presiones que excedan 1/2 PSI ocasionarán daños al regulador del calentador.
2. Coloque una tapa en el extremo abierto del tubo de gas donde estaba conectada la válvula de cierre del equipo.
3. Regule la presión del sistema de tubería de suministro ya sea abriendo la válvula del tanque de suministro de propano o gas LP, en caso que utilice este tipo de gas, o bien, abriendo la válvula principal de gas que se localiza en el medidor de gas natural o cerca de éste, o bien, usando aire comprimido.
4. Revise todas las uniones del sistema de tubería de suministro de gas. Aplique en todas las uniones algún fluido de detección de fugas que no sea corrosivo. La formación de burbujas indicará una fuga.
5. Repare todas las fugas inmediatamente.
6. Vuelva a conectar el calentador y la válvula de cierre del equipo al suministro de gas. Revise los conectores que se volvieron a colocar en busca de fugas.

Pruebas de las presiones iguales o menores a 1/2 PSI (3.5 kPa)

1. Cierre la válvula de cierre del equipo (consulte la figura 15).
2. Regule la presión del sistema de tubería de suministro ya sea abriendo la válvula del tanque de suministro de propano o gas LP, en caso que utilice este tipo de gas, o bien, abriendo la válvula principal de gas que se localiza en el medidor de gas natural o cerca de éste, o bien, usando aire comprimido.
3. Revise todas las uniones entre el medidor de gas, si usa gas natural (consulte la figura 16), o entre el tanque de suministro de propano o gas LP, si usa este tipo de gas, y la válvula de cierre del equipo (consulte la figura 17). Aplique en todas las uniones algún fluido de detección de fugas que no sea corrosivo. La formación de burbujas indicará una fuga.
4. Repare todas las fugas inmediatamente.

COMPROBACIÓN DE LA PRESIÓN DE LAS CONEXIONES DE GAS DEL CALENTADOR

1. Abra la válvula de cierre del equipo (consulte la figura 15).
2. Si usa gas natural, abra la válvula principal de

gas ubicada en el medidor de gas o cerca de éste. Si usa propano o gas LP, abra la válvula de suministro de propano o gas LP.

3. Compruebe que la perilla de control del calentador esté en la posición OFF (apagado).
4. Revise todas las uniones entre la válvula de cierre del equipo y válvula de gas del termostato (consulte la figura 16 ó 17). Aplique en todas las uniones algún fluido de detección de fugas que no sea corrosivo. La formación de burbujas indicará una fuga.
5. Repare todas las fugas inmediatamente.
6. Encienda el calentador (consulte *Funcionamiento del calentador*, en la página 14). Revise todas las demás uniones internas para ver si hay fugas.
7. Apague el calentador (consulte *Cómo cerrar el suministro de gas al calentador*, en la página 15).
8. Vuelva a colocar el panel anterior.

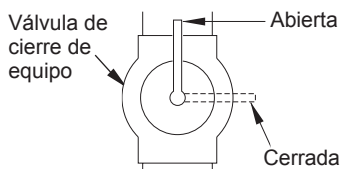


Figura 15 - Válvula de cierre del equipo

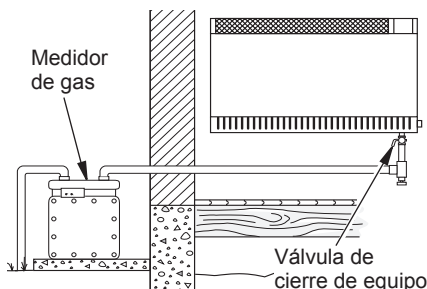


Figura 16 - Revisión de las uniones de gas para gas natural

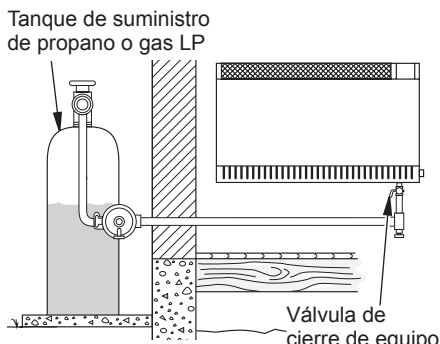


Figura 17 - Revisión de las uniones de gas para propano o gas LP

INSTALACIÓN

Continuación

CONEXIÓN A LA ALIMENTACIÓN ELÉCTRICA

⚠ ADVERTENCIA: el ventilador debe estar conectado a tierra. El ventilador tiene una clavija de tres patas con conexión a tierra como se muestra en la figura 18. La clavija es la protección contra electrocución. Conéctela en un enchufe de tres orificios con conexión a tierra. En caso que el cable deba reemplazarse, utilice únicamente un cable con clavija de tres patas con conexión a tierra.

⚠ PRECAUCIÓN: marque todos los cables antes de desconectarlos. Los errores de cableado pueden ocasionar que el funcionamiento sea incorrecto y peligroso (consulte la página 22).

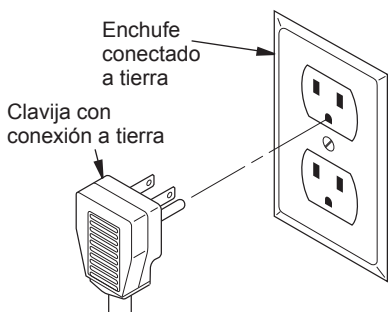


Figura 18 - Clavija con conexión a tierra

CABLE DE EXTENSIÓN

Utilice un cable de extensión en caso que lo necesite. El cable debe tener una clavija de tres patas con conexión a tierra un enchufe de tres orificios. Compruebe que el cable esté en buen estado. Debe ser suficientemente grueso para soportar la corriente necesaria. Si el cable es más delgado se producirá una caída en la línea de voltaje. Esto ocasionará pérdida de potencia y sobrecalentamiento. Para longitudes inferiores a 15.24 m (50 pies) utilice un cable AWG No. 16.

⚠ PRECAUCIÓN: después de realizar el servicio compruebe que el calentador funcione correctamente.

Funcionamiento del ventilador

El ventilador está conectado a un termostato. El ventilador empieza a funcionar cuando la unidad se calienta. El ventilador deja de funcionar pocos minutos después de que la unidad está en el ciclo apagado o es desconectada. Así, el ventilador se encenderá y apagará de manera cíclica. *Nota:* si tiene un calentador con termostato, el calentador y el termostato no se encenderán y apagará exactamente al mismo tiempo. La duración de los ciclos del ventilador depende de la temperatura que se establezca en el calentador.

FUNCIONAMIENTO DEL CALENTADOR

PARA SU SEGURIDAD, LEA ESTO ANTES DE ENCENDERLO

⚠ ADVERTENCIA: no seguir estas instrucciones al pie de la letra puede resultar en incendio o explosión que produzcan daños a bienes, lesiones físicas o la muerte.

- Este aparato tiene un piloto que se debe encender manualmente. Cuando encienda el piloto, siga estas instrucciones al pie de la letra.
- ANTES DE ENCENDERLO** compruebe que alrededor del aparato no huela a gas. Asegúrese de oler también cerca del suelo ya que algunos gases son más pesados que el aire y se asientan cerca del suelo.

QUÉ HACER SI PERCIBE OLOR A GAS

- No intente encender ningún aparato.
 - No toque ningún interruptor eléctrico; no use ningún teléfono en el edificio.
 - Llame inmediatamente a su proveedor de gas desde el teléfono de algún vecino. Siga las instrucciones del proveedor de gas.
 - Si no puede localizar al proveedor de gas, llame al departamento de bomberos.
- Utilice únicamente la mano para presionar o girar la perilla de control de gas. Nunca utilice herramientas. Si no puede presionar o girar la perilla manualmente, no intente repararla, llame a un técnico de servicio capacitado. Forzar o tratar de repararla puede producir un incendio o una explosión.
 - No use este aparato si alguna de sus partes estuvo sumergida en agua. Llame inmediatamente a un técnico de servicio capacitado para que inspeccione el aparato y reemplace las piezas del sistema de control y los controles de gas que hayan estado sumergidos en agua.

FUNCIONAMIENTO DEL CALENTADOR *Continuación*

INSTRUCCIONES DE ENCENDIDO

1. ¡ALTO! Lea la información de seguridad, en la página 14.
 2. Asegúrese de que la válvula de cierre del equipo esté completamente abierta.
 3. Si va a realizar algún trabajo de mantenimiento, desconecte el suministro de energía eléctrica al calentador.
 4. Gire la perilla de control en dirección de las manecillas del reloj ↻ hasta la posición (OFF) apagado.
 5. Espere cinco minutos a que se disipe el gas. Luego, compruebe que no huela a gas, incluso cerca del suelo. Si percibe olor a gas, DETÉN-GASE. Siga el punto "B" de la información de seguridad, en la página 14.. Si no percibe olor a gas, continúe con el siguiente paso.
 6. Gire la perilla de control en sentido contrario al de las manecillas del reloj ↻ hasta la posición PILOT (piloto). Mantenga presionada la perilla de control durante cinco (5) segundos.
 7. Con la perilla de control presionada, oprima y suelte el botón del encendido. Esto encenderá el piloto. El piloto está instalado en la parte anterior del quemador. *Nota:* posiblemente ésta sea la primera vez que hace funcionar el calentador después de conectarlo al suministro de gas. Si es así, es posible que deba presionar la perilla de control durante 30 segundos o más. Esto permitirá que el aire salga del sistema de gas. Si es necesario, continúe presionando el botón del encendedor hasta que el piloto se encienda. En caso que el piloto no encienda, consulte la sección *Solución de problemas*, en la página 18 o llame a un técnico de servicio calificado o a su proveedor de gas para que realicen las reparaciones necesarias. Encienda el piloto con un fósforo hasta que se realicen las reparaciones. Para encender el piloto con un fósforo, consulte el *Procedimiento de encendido manual*, en la página 16.
 8. Una vez que haya encendido el piloto mantenga la perilla de control presionada durante 30 segundos. Después de los 30 segundos, suelte la perilla de control.
 - Si la perilla de control no regresa a su posición original después de soltarla, comuníquese con una persona de servicio calificada o con el proveedor de gas para que se hagan las reparaciones.
- Nota:* si el piloto se apaga, repita los pasos 4 al 7. Los modelos con termostato cuentan con sistema de bloqueo de seguridad. Espere un (1) minuto antes de encender el piloto nuevamente.

9. Gire la perilla de control en sentido contrario al de las manecillas del reloj ↻ hasta la temperatura deseada. El quemador principal deberá encenderse.

⚠ ADVERTENCIA: siempre haga funcionar los calentadores con control manual en las posiciones de bloqueo. El funcionamiento entre estas posiciones puede generar un riesgo para la salud si se usa en una habitación con poca ventilación. Lea el manual del propietario para obtener las instrucciones completas.

⚠ PRECAUCIÓN: no trate de ajustar la temperatura por medio de la válvula de cierre del equipo.

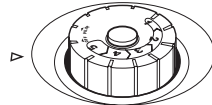


Figura 19 - Perilla de control en la posición de apagado

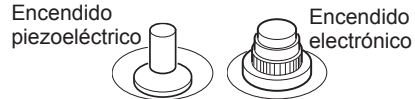


Figura 20 - Botones de encendido

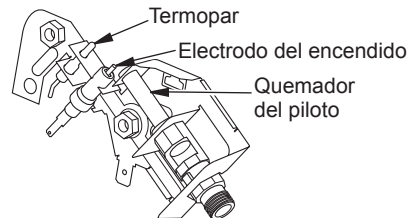


Figura 21 - Piloto (el piloto real puede ser distinto)

CÓMO CERRAR EL SUMINISTRO DE GAS AL CALENTADOR

Cómo apagar el calentador

1. Gire la perilla de control en dirección de las manecillas del reloj ↻ hasta la posición (OFF) apagado.
2. Si va a realizar algún trabajo de mantenimiento, desconecte el suministro de energía eléctrica al calentador.

Cómo apagar sólo el quemador (sin que se apague el piloto)

Gire la perilla de control en el sentido de las manecillas del reloj ↻ hasta la posición PILOT (piloto).

FUNCIONAMIENTO DEL CALENTADOR *Continuación*

FUNCIONAMIENTO DEL CONTROL DEL TERMOSTATO

El control termostático que se usa en estos modelos es distinto de los termostatos convencionales. Los termostatos convencionales simplemente encienden y apagan el quemador. El termostato que se usa en este calentador detecta la temperatura de la habitación. El termostato ajusta la cantidad del flujo de gas que llega al quemador. Esto aumenta o disminuye la altura de la llama del quemador. Algunas veces, la temperatura de la habitación puede ser mayor que la establecida. Si esto ocurre, el quemador se apagará. El quemador volverá a encenderse cuando la temperatura de la habitación disminuya por debajo de la temperatura que se estableció. La perilla de control se puede colocar en cualquier nivel de calor entre 1 y 5. En la mayoría de los casos, la selección del nivel 5 hará que el quemador permanezca completamente encendido sin modulación.

Nota: el bulbo sensor de termostato mide la temperatura del aire cercano al gabinete del calentador. Es posible que ésta no siempre concuerde con la temperatura de la habitación (dependiendo de la construcción de la habitación, la ubicación de la instalación, el tamaño de la habitación, las temperaturas en exteriores, etc.). El uso frecuente del calentador le permitirá determinar los niveles que le resultan más cómodos.

PROCEDIMIENTO DE ENCENDIDO MANUAL

1. Desmonte el panel anterior (consulte la figura 6, página 9).
2. Realice los pasos 1 al 7 de las *Instrucciones de encendido*, página 15.
3. Con la perilla de control presionada, encienda un fósforo. Sostenga el fósforo en el piloto hasta que este último se encienda.
4. Una vez que haya encendido el piloto mantenga la perilla de control presionada durante 30 segundos. Después de los 30 segundos, suelte la perilla de control. Continúe en el paso 9 de las *Instrucciones de encendido*, en la página 15.
5. Vuelva a colocar el panel anterior.

INSPECCIÓN DEL CALENTADOR

Revise frecuentemente los patrones de la llama del piloto y de la llama del quemador.

PATRÓN DE LA LLAMA DEL PILOTO

La figura 22 muestra un patrón correcto de la llama del piloto. La figura 23 muestra un patrón incorrecto de la llama del piloto. La llama incorrecta del piloto no toca el termopar. Esto hará que el termopar se enfríe. Cuando el termopar se enfríe, el calentador se apagará.

Si el patrón de la llama del piloto es incorrecto, como se muestra en la figura 23

- apague el calentador (consulte *Cómo el suministro de gas al calentador*, en la página 15)
- consulte *Solución de problemas*, página 18

Nota: la llama del piloto en las unidades de gas natural presentará una ligera curva, pero la llama deberá ser azul, sin color amarillo ni naranja.

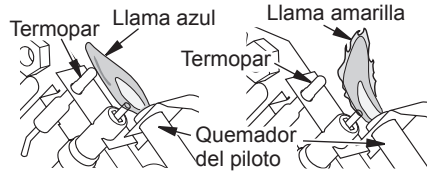


Figura 23 - Patrón correcto de la llama del piloto

Figura 24 - Patrón incorrecto de la llama del piloto

PATRÓN DE LA LLAMA DEL CALENTADOR

⚠ ADVERTENCIA: si se presenta un color amarillo en las puntas de las llamas, el calentador puede producir niveles elevados de monóxido de carbono.

AVISO: no confunda las llamas anaranjadas con el color amarillo en las puntas. El polvo y otras partículas pequeñas se introducen al calentador y al quemarse producen breves manchas de llamas anaranjadas.

La figura 24 muestra un patrón correcto de la llama del quemador. La figura 25 muestra un patrón incorrecto de la llama del quemador. El patrón incorrecto de la llama del quemador produce las puntas amarillas de las llamas. También muestra llamas más altas que la mitad de la altura del panel de vidrio.

Si el patrón de la llama del quemador es incorrecto, como se muestra en la figura 25:

- apague el calentador (consulte *Cómo el suministro de gas al calentador*, en la página 15)
- consulte *Solución de problemas*, en la página 18

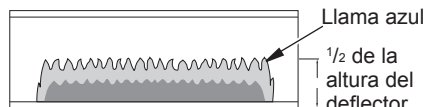


Figura 24 - Patrón correcto de la llama del quemador

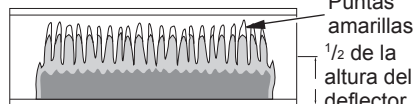


Figura 25 - Patrón incorrecto de la llama del quemador

LIMPIEZA Y MANTENIMIENTO

⚠ ADVERTENCIA: apague el calentador y deje que se enfríe antes de limpiarlo.

⚠ PRECAUCIÓN: debe mantener limpias las áreas de control, el quemador y los pasajes de circulación de aire del calentador. Inspeccione estas áreas del calentador antes de cada uso. Haga que una persona de servicio calificada inspeccione el calentador una vez al año. Es posible que el calentador requiera limpieza más frecuente debido a exceso de pelusa proveniente de alfombras, de camas, de pelo de mascotas, etc.

⚠ ADVERTENCIA: si no mantiene limpias las aberturas principales del quemador se puede producir hollín y daños a la propiedad.

PILOTO CON ODS Y QUEMADOR

Utilice una aspiradora, aire a presión o un cepillo de cerdas suaves para la limpieza.

ENTRADA DE AIRE AL PILOTO DEL QUEMADOR

Los orificios de la entrada de aire principal permiten que la cantidad correcta de aire se mezcle con el gas. Esto produce una llama de combustión limpia. Mantenga estos orificios libres de tierra, polvo y pelusa. Limpie estos orificios de entrada de aire antes de cada temporada de calefacción. Si los orificios de aire están bloqueados, producirán hollín. Se recomienda que limpie la unidad cada tres meses de funcionamiento y que solicite que una persona de servicio capacitada inspeccione el calentador cada año.

También se recomienda que mantenga el ensamblaje de tubo y piloto del calentador limpios y libres de polvo y tierra. Para limpiar estas piezas, se recomienda que use aire comprimido a una presión que

no sea mayor de 30 PSI. Es posible que la tienda local de equipo de cómputo, ferretería o de mejoras al hogar tengan aire comprimido en latas. Puede usar una aspiradora en la función de expulsión de aire. Si utiliza aire comprimido en lata, siga las instrucciones que aparecen en la lata. Si no sigue las instrucciones escritas en la lata, puede dañar el ensamblaje del piloto.

1. Apague la unidad, incluso el piloto. Deje que la unidad se enfríe durante al menos treinta minutos.
2. Inspeccione el piloto del quemador en busca de polvo y tierra.
3. Haga pasar aire a través de los puertos o ranuras y los orificios del quemador.
4. Nunca inserte objetos en el tubo del piloto.

Limpie también el ensamblaje del piloto. Una punta amarilla en la llama del piloto indica la presencia de polvo y tierra en el ensamblaje del mismo. Hay una pequeña entrada de aire del piloto a aproximadamente cinco centímetros (dos pulgadas) de donde sale la llama del piloto del ensamblaje del mismo (consulte la figura 26). Con la unidad apagada, introduzca aire suavemente a través de la entrada de aire. Si no cuenta con aire comprimido, puede soplar a través de una pajilla o popote.

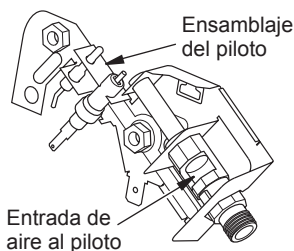


Figura 26 - Entrada de aire del piloto; se muestra el piloto para propano o gas LP (el piloto real puede ser distinto que el que aparece en la ilustración)

GABINETE

Conductos de aire

Use una aspiradora o aire a presión para la limpieza.

Exterior y vidrio anterior de acrílico oscuro

Utilice un paño humedecido con una mezcla de agua y jabón suave. Frote el gabinete para quitar el polvo.

SOLUCIÓN DE PROBLEMAS

⚠ ADVERTENCIA: apague y desconecte el calentador y deje que se enfríe antes de darle servicio. Sólo una persona de servicio capacitada debe reparar el calentador o darle servicio.

⚠ PRECAUCIÓN: nunca utilice un alambre, aguja u objetos parecidos para limpiar el piloto/ODS. Esto puede dañar la unidad de piloto con ODS.

Nota: todos los puntos para solución de problemas se listan en orden de funcionamiento.

PROBLEMA OBSERVADO	CAUSA POSIBLE	REMEDIO
<p>Cuando se presiona el botón del encendido, no hay chispa en el piloto con ODS</p>	<ol style="list-style-type: none"> 1. El electrodo del encendido está colocado incorrectamente 2. El electrodo del encendido está averiado 3. El electrodo del encendido no está conectado al cable del encendido 4. El cable del encendido está pellizcado o mojado 5. El cable del encendido está roto 6. El encendido piezoeléctrico está defectuoso 	<ol style="list-style-type: none"> 1. Reemplace el ensamblaje del piloto 2. Reemplace el ensamblaje del piloto 3. Vuelva a conectar el cable del encendido 4. Libere el cable del encendido si algún metal o tubería lo está pellizcando. Mantenga seco el cable del encendido 5. Reemplace el cable del encendido 6. Reemplace el encendido piezoeléctrico
<p>Cuando se presiona el botón del encendido, hay chispa en el piloto con ODS pero no se enciende</p>	<ol style="list-style-type: none"> 1. El suministro de gas está cerrado o la válvula de cierre del equipo está cerrada 2. La perilla de control no está en la posición de piloto 3. La perilla de control no está presionada mientras está en la posición de piloto 4. Presencia de aire en las líneas de gas cuando se instalaron 5. Se agotó el suministro de gas (sólo para propano o gas LP) 6. El piloto con ODS está tapado 7. La posición del regulador de gas no es la correcta 	<ol style="list-style-type: none"> 1. Abra el suministro de gas o la válvula de cierre del equipo 2. Gire la perilla de control a la posición de piloto 3. Presione la perilla de control mientras esté en la posición de piloto 4. Mantenga la perilla de control presionada. Repita la operación de encendido hasta que se expulse el aire 5. Comuníquese con la compañía local de propano o gas LP 6. Limpie el piloto con ODS (consulte <i>Limpieza y mantenimiento</i>, en la página 17) o reemplace el ensamblaje del piloto con ODS 7. Reemplace el regulador de gas

SOLUCIÓN DE PROBLEMAS

Continuación

PROBLEMA OBSERVADO	CAUSA POSIBLE	REMEDIO
El piloto con ODS se enciende pero la llama se extingue cuando se suelta la perilla de control	1. La perilla de control no está presionada completamente	1. Presione totalmente la perilla de control
	2. La perilla de control no se presionó durante el tiempo suficiente	2. Después de que el piloto con ODS se encienda, mantenga la perilla de control presionada durante 30 segundos
	3. El sistema de interbloqueo de seguridad se ha activado	3. Espere un minuto a que el sistema de interbloqueo de seguridad se restablezca. Repita la operación de encendido
	4. La válvula de cierre del equipo no está totalmente abierta	4. Abra la válvula de cierre del equipo totalmente
	5. La conexión del termopar está floja en la válvula de control	5. Apriete con la mano hasta que sienta que tope, luego apriete 1/4 de vuelta más
	6. La llama del piloto no está tocando el termopar, lo que hace que el termopar se enfríe y ocasiona que la llama del piloto se extinga. Este problema puede ser ocasionado por alguna de las siguientes condiciones o por ambas: A) baja presión del gas B) el piloto con ODS está sucio o parcialmente tapado	6. A) Comuníquese con la compañía local de gas natural o de propano o gas LP B) Limpie el piloto y el ODS (consulte <i>Limpieza y mantenimiento</i> , en la página 17) o reemplace el ensamblaje del piloto con ODS
	7. El termopar está dañado	7. Reemplace el ensamblaje del piloto
	8. La válvula de control está dañada	8. Reemplace la válvula de control
El quemador no se enciende después de que el piloto con ODS está encendido	1. El orificio del quemador está tapado	1. Limpie el quemador (consulte <i>Limpieza y mantenimiento</i> , en la página 17) o reemplace el orificio del quemador
	2. La presión del gas de entrada es demasiado baja	2. Comuníquese con la compañía local de gas natural o de propano o gas LP
Encendido demorado del quemador	1. La presión del tubo múltiple es demasiado baja	1. Comuníquese con la compañía local de gas natural o de propano o gas LP
	2. El orificio del quemador está tapado	2. Limpie el quemador (consulte <i>Limpieza y mantenimiento</i> , en la página 17) o reemplace el orificio del quemador
El quemador muestra llamas de retorno durante la combustión	1. El orificio del quemador está tapado o dañado	1. Limpie el quemador (consulte <i>Limpieza y mantenimiento</i> , en la página 17) o reemplace el orificio del quemador
	2. El quemador está dañado	2. Reemplace el quemador
	3. El regulador de gas está defectuoso	3. Reemplace el regulador de gas

SOLUCIÓN DE PROBLEMAS

Continuación

PROBLEMA OBSERVADO	CAUSA POSIBLE	REMEDIO
Llamas amarillas durante la combustión en el quemador	<ol style="list-style-type: none">1. No hay suficiente aire2. El regulador de gas está defectuoso3. El quemador está obstruido o sucio	<ol style="list-style-type: none">1. Revise el quemador en busca de polvo y residuos. Si los hay, limpie el quemador (consulte <i>Limpieza y mantenimiento</i>, en la página 17)2. Reemplace el regulador de gas3. Limpie el quemador (consulte <i>Limpieza y mantenimiento</i>, en la página 17)
Un poco de humo u olor durante el funcionamiento inicial	<ol style="list-style-type: none">1. Hay residuos provenientes de procesos de fabricación	<ol style="list-style-type: none">1. El problema desaparecerá después de algunas horas de funcionamiento
El calentador produce un ruido silbante cuando el quemador está encendido	<ol style="list-style-type: none">1. La perilla de control se giró a la posición 5 cuando el quemador estaba frío2. Hay aire en la línea de gas3. Los conductos de aire en el calentador están bloqueados4. El orificio del quemador está sucio o parcialmente obstruido	<ol style="list-style-type: none">1. Gire la perilla de control a la posición 1 y deje que se caliente durante un minuto2. Haga funcionar el quemador hasta que se elimine el aire de la línea. Solicite a la compañía local de gas natural o de propano o gas LP que revise la línea de gas3. Respete las distancias mínimas de instalación (consulte la figura 4, en la página 9)4. Limpie el quemador (consulte <i>Limpieza y mantenimiento</i>, en la página 17) o reemplace el orificio del quemador
Se forma un residuo de polvo blanco dentro de la caja del quemador o en las paredes o muebles contiguos	<ol style="list-style-type: none">1. Cuando se calientan, los vapores provenientes de los pulidores de muebles, cera, limpiadores de alfombras, etc., pueden convertirse en residuos de polvo blanco	<ol style="list-style-type: none">1. Apague el calentador cuando utilice pulidores de muebles, ceras, limpiadores de alfombras o productos parecidos.
El ventilador no se enciende	<ol style="list-style-type: none">1. El cable de alimentación no está conectado2. El enchufe no tiene corriente3. Demora en espera de que se caliente el interruptor térmico4. Interruptor en mal estado5. Cable suelto	<ol style="list-style-type: none">1. Conecte el cable de alimentación en un enchufe de 120 V 60 Hz2. Pida a una persona de servicio calificada que revise si hay voltaje en el enchufe3. Espere de 4 a 5 minutos con el quemador encendido4. Reemplace el interruptor5. Conecte los cables
El calentador produce un ruido de chasquidos o golpeteos metálicos justo después de que el quemador se enciende o se apaga	<ol style="list-style-type: none">1. Los metales se dilatan al calentarse y se contraen al enfriarse	<ol style="list-style-type: none">1. Esto es común en la mayoría de los calentadores. Si el ruido es excesivo, comuníquese con una persona de servicio capacitada

SOLUCIÓN DE PROBLEMAS

Continuación



ADVERTENCIA: si percibe olor a gas

- Cierre el suministro de gas
- No intente encender ningún aparato
- No toque ningún interruptor eléctrico; no use ningún teléfono en el edificio
- Llame inmediatamente a su proveedor de gas desde el teléfono de algún vecino. Siga las instrucciones del proveedor de gas
- Si no puede localizar al proveedor de gas, llame al departamento de bomberos

IMPORTANTE: si hace funcionar el calentador donde existen impurezas en el aire se pueden producir olores. Los productos de limpieza, pintura, solventes de pintura, humo de cigarro, cementos y pegamentos, alfombras o textiles nuevos, etc., producen gases. Estos gases se pueden mezclar con el aire que se utiliza para la combustión y producir olores.

PROBLEMA OBSERVADO	CAUSA POSIBLE	REMEDIO
El calentador produce olores no deseados	<ol style="list-style-type: none">1. El calentador está quemando vapores provenientes de pintura, aerosoles para cabello, pegamentos, etc. (consulte la declaración IMPORTANTE anterior)2. Hay poco suministro de combustible (sólo para propano o gas LP)3. Fugas de gas. Consulte la declaración de advertencia anterior	<ol style="list-style-type: none">1. Ventile la habitación. Deje de usar los productos que ocasionan el olor mientras el calentador esté funcionando2. Llene el tanque de suministro3. Localice y repare todas las fugas (consulte <i>Revisión de las conexiones de gas</i>, en la página 12)
El calentador se apaga mientras se está usando (el ODS funciona)	<ol style="list-style-type: none">1. No hay suficiente aire fresco2. Hay poca presión en la línea3. El piloto con ODS está parcialmente tapado	<ol style="list-style-type: none">1. Abra la ventana y/o la puerta para dar ventilación2. Comuníquese con la compañía local de gas natural o de propano o gas LP3. Limpie el piloto con ODS (consulte <i>Limpieza y mantenimiento</i>, en la página 17)
Hay olor a gas incluso cuando la perilla de control está en la posición OFF (apagado)	<ol style="list-style-type: none">1. Fugas de gas. Consulte la declaración de advertencia anterior2. La válvula de control está defectuosa	<ol style="list-style-type: none">1. Localice y repare todas las fugas (consulte <i>Revisión de las conexiones de gas</i>, en la página 12)2. Reemplace la válvula de control
Hay olor a gas durante la combustión	<ol style="list-style-type: none">1. Hay materiales extraños entre la válvula de control y el quemador2. Fugas de gas. Consulte la declaración de advertencia anterior	<ol style="list-style-type: none">1. Desensamble la tubería de gas y extraiga los materiales extraños2. Localice y repare todas las fugas (consulte <i>Revisión de las conexiones de gas</i>, en la página 12)
Hay humedad o condensación en las ventanas	<ol style="list-style-type: none">1. No hay suficiente aire para combustión o ventilación	<ol style="list-style-type: none">1. Consulte los requisitos de <i>Aire para combustión y ventilación</i>, (página 5)

ESPECIFICACIONES

LSL18NT, SL18NT y VSL18NT

- Gas natural
- 9,000/18,000 BTU/h (variable)
- Encendido piezoeléctrico o electrónico
- Configuración del regulador de presión - 3 pulgadas de c.a.
- Presión del gas de entrada* (pulg. de c.a.):
Máxima: 10.5 pulg., Mínima: 4 pulg.
- Dimensiones (alto x ancho x largo):
Calentador: 38.6 x 66.8 x 14 cm
(15.2 x 26.3 x 5.5 pulg.)
Caja: 47.8 x 73.4 x 20.3 cm (18.8 x 28.9 x 8 pulg.)
- Peso
Calentador: 10.4 kg (23 lbs.)
De envío: 12.7 kg (28 lbs.)

LSL18PT, SL18PT y VSL18PT

- Propano o gas LP
- 9,000/18,000 BTU/h (variable)
- Encendido piezoeléctrico o electrónico
- Configuración del regulador de presión - 10 pulgadas de c.a.
- Presión del gas de entrada* (pulg. de c.a.):
Máxima: 14 pulg., Mínima: 11 pulg.
- Dimensiones (alto x ancho x largo):
Calentador: 38.6 x 66.8 x 14 cm
(15.2 x 26.3 x 5.5 pulgadas)
Caja: 47.8 x 73.4 x 20.3 cm (18.8 x 28.9 x 8 pulg.)
- Peso
Calentador: 10.4 kg (23 lbs.)
De envío: 12.7 kg (28 lbs.)

* Para efectos de ajustes de entrada

DIAGRAMAS DE CABLEADO

⚠ PRECAUCIÓN: marque todos los cables antes de desconectarlos. Los errores en el cableado pueden ocasionar funcionamiento errático y peligroso. Después de dar servicio al calentador compruebe que éste funcione correctamente.

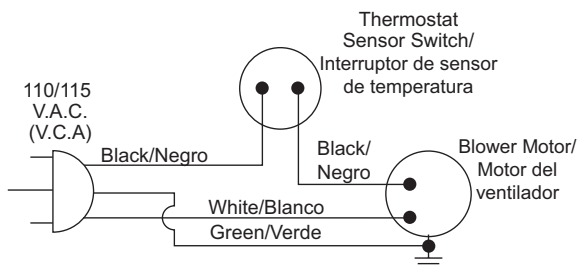
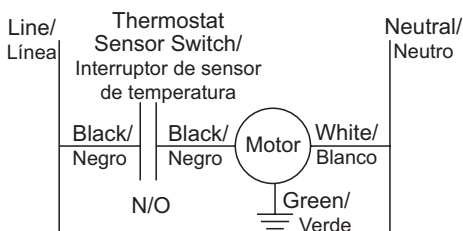


Diagrama de cableado



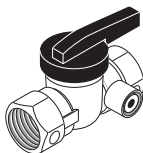
* If any of the original wire as supplied with the appliance must be replaced, it must be replaced with type 105°C wire or its equivalent.

* En caso que se deba reemplazar alguno de los cables suministrados originalmente con el calentador, utilice únicamente cable tipo 105°C u otro equivalente.

Diagrama eléctrico elemental

ACCESORIOS

Adquiera estos accesorios del calentador con el distribuidor local. Si él no puede proveer estos accesorios, comuníquese con la *Central de piezas* (consulte la página 26) o bien, llame a DESA Heating Products al 1-866-672-6040 para obtener información de referencia. También puede escribir a la dirección que aparece al reverso de este manual.



VÁLVULA DE CIERRE DEL EQUIPO GA5010

Para todos los modelos. Válvula de cierre del equipo con rosca interna de 1/8 de pulgada tipo NPT.

PAQUETE DE ENCENDEDOR ELECTRÓNICO - GA435 (no se muestra)

Para todos los modelos con encendido piezoeléctrico. Proporciona un encendido del piloto más fácil.

SERVICIO TÉCNICO

Es posible que tenga preguntas adicionales acerca de la instalación, el funcionamiento o la solución de problemas. De ser así, póngase en contacto con el departamento de servicio técnico de DESA Heating Products al teléfono 1-866-672-6040. Al llamar tenga a la mano los números de modelo y serie de su calentador.

También puede visitar el sitio web de servicio técnico de DESA Heating Products en www.desatech.com.

PUBLICACIONES DE SERVICIO

Puede adquirir un manual de servicio en la dirección que se indica en el reverso de este manual. Envíe un cheque de \$5.00 a nombre de DESA Heating Products.

PIEZAS DE REPUESTO

Nota: use sólo piezas de repuesto originales. Esto protegerá la cobertura de su garantía para partes reemplazadas con garantía.

PIEZAS CON GARANTÍA

Póngase en contacto con los distribuidores autorizados de este producto. Si no pueden proporcionarle las piezas originales de repuesto, llame al departamento de servicio técnico de DESA Heating Products al 1-866-672-6040.

Cuando llame a DESA Heating Products, tenga listo:

- su nombre
- su dirección
- los números de modelo y de serie del calentador
- la falla del calentador
- el tipo de gas utilizado (propano o gas LP o gas natural)
- la fecha de compra

Generalmente, le pediremos que devuelva la parte a la fábrica.

PIEZAS SIN GARANTÍA

Póngase en contacto con los distribuidores autorizados de este producto. Si ellos no pueden proveer piezas de repuesto originales, comuníquese con la *Central de piezas* más cercana (consulte la página 26) o bien, llame a DESA Heating Products al 1-866-672-6040 para obtener información de referencia.

Cuando llame a DESA Heating Products, tenga listo:

- el número de modelo del calentador
- el número de la pieza de repuesto

CONSEJOS DE REPARACIONES

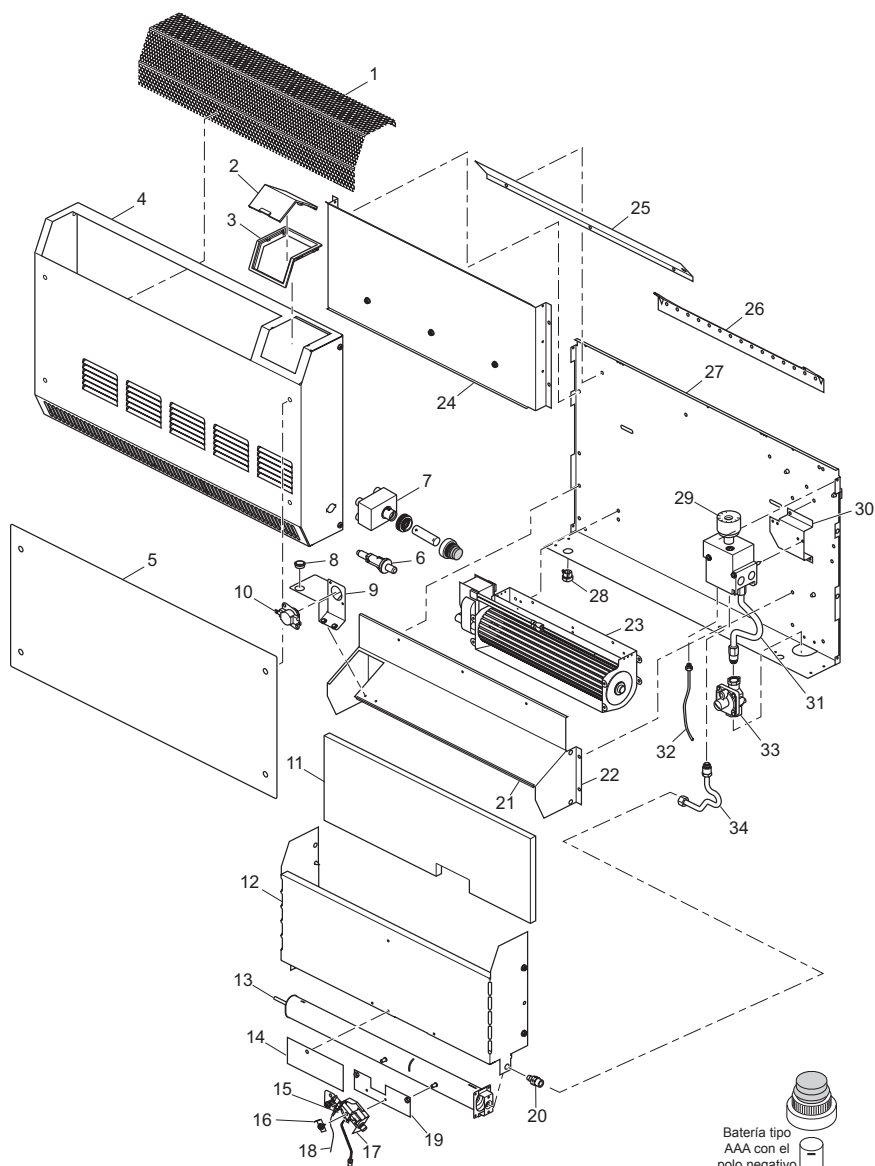
Cuando la presión del gas de entrada sea demasiado baja:

- El piloto no permanecerá encendido
- El quemador tendrá un retraso durante el encendido
- El calentador no producirá el calor especificado
- El suministro de propano o gas LP puede ser bajo

Es posible que considere que la presión del gas sea demasiado baja. Si es así, comuníquese con el proveedor local de gas natural o de propano o gas LP.

CLASIFICACIÓN ILUSTRADA DE PIEZAS

MODELOS LSL18NT, LSL18PT, SL18NT, SL18PT, VSL18NT Y VSL18PT



Batería tipo
AAA con el
polo negativo
hacia arriba

Instale la batería
como se muestra en
la ilustración
(Verifique qué
clase de encendido
electrónico usa su
calentador)



LISTA DE PIEZAS

Esta lista contiene las piezas reemplazables utilizadas en el calentador. Al hacer un pedido de piezas, siga las instrucciones enumeradas en *Piezas de repuesto* en la página 23 de este manual.

N°	N° DE PARTE	DESCRIPCIÓN							CANT.
			LSL18NT	LSL18PT	SL18NT	SL18PT	VSL18NT	VSL18PT	
1	116591-01BR	Rejilla pintada	•	•	•	•	•	•	1
2	116748-01	Puerta de plástico	•	•	•	•	•	•	1
3	116749-01	Cavidad de la puerta	•	•	•	•	•	•	1
4	116667-01CK	Panel anterior	•	•	•	•	•	•	1
5	116392-01	Vidrio de acrílico oscuro	•	•	•	•	•	•	1
6	097159-04	Encendido piezoeléctrico			•	•	•	•	1
7	111435-01	Encendido electrónico	•	•					1
8	M50104-06	Buje corto	•	•	•	•	•	•	1
9	116276-01	Soporte de montaje del interruptor	•	•	•	•	•	•	1
10	101378-02	Interruptor de sensor de temperatura	•	•	•	•	•	•	1
11	116283-01	Panel de fibra	•	•	•	•	•	•	1
12	116544-01	Recubrimiento de fibra	•	•	•	•	•	•	1
13	116282-01	Quemador	•	•	•	•	•	•	1
14	116784-01	Protector de radiación	•	•	•	•	•	•	1
15	098249-01	Tuerca del piloto ODS	•	•	•	•	•	•	2
16	109121-02	Protector del piloto	•	•	•	•	•	•	1
17	110803-01	Piloto ODS, natural	•	•	•	•	•	•	1
	110803-02	Piloto ODS, propano o gas LP		•	•	•	•	•	1
18	098271-09	Cable del encendedor			•	•	•	•	1
	098271-11	Cable del encendedor	•	•					1
19	116679-01	Soporte del piloto	•	•	•	•	•	•	1
20	101004-08	Inyector, natural	•	•	•	•	•	•	1
	101004-10	Inyector, propano o gas LP		•	•	•	•	•	1
21	097785-11	Junta	•	•	•	•	•	•	1
22	116528-01	Tubo del ventilador inferior	•	•	•	•	•	•	1
23	116286-01	Ventilador	•	•	•	•	•	•	1
24	116529-01	Tubo del ventilador superior	•	•	•	•	•	•	1
25	116270-01	Deflector de la parte superior	•	•	•	•	•	•	1
26	099066-02	Soporte de montaje	•	•	•	•	•	•	1
27	116267-01	Panel anterior	•	•	•	•	•	•	1
28	M11143-1	Buje para atenuar deformaciones	•	•	•	•	•	•	1
29	098522-28	Válvula de gas, natural	•	•	•	•	•	•	1
	098522-07	Válvula de gas, propano o gas LP		•	•	•	•	•	1
30	102394-02	Soporte del control	•	•	•	•	•	•	1
31	116278-01	Tubo de entrada	•	•	•	•	•	•	1
32	099387-11	Tubo del piloto	•	•	•	•	•	•	1
33	099415-17	Regulador de gas, natural	•	•	•	•	•	•	1
	099415-22	Regulador de gas, propano o gas LP		•	•	•	•	•	1
34	116280-01	Tubo de salida	•	•	•	•	•	•	1
PIEZAS DISPONIBLES (NO SE MUESTRAN)									
	110186-01	Paquete de termopar	•	•	•	•	•	•	1
	098219-41	Cable de alimentación	•	•	•	•	•	•	1
	100642-05	Bolsa de ferretería	•	•	•	•	•	•	1
	116360-01	Etiqueta de encendido y advertencia (en Inglés)	•	•	•	•	•	•	1
	116360-02	Etiqueta de encendido y advertencia (en Español)	•	•	•	•	•	•	1
	101584-08	Diagrama de cableado	•	•	•	•	•	•	1
	116291-01	Etiqueta del control	•	•	•	•	•	•	1

CENTRALES DE PIEZAS

Estas Centrales de piezas son empresas privadas. Han aceptado dar asistencia a las necesidades de nuestros clientes ofreciendo piezas de repuesto y accesorios originales.

Tool & Equipment, Co.

5 Manila Ave
Hamden, CT 06514-0322, EE.UU.
1-800-397-7553
203-248-7553
Parts Department

Portable Heater Parts

342 N. County Rd. 400 East
Valparaiso, IN 46383-9704, EE.UU.
Para todos los estados de EE.UU.
219-462-7441
1-888-619-7060
sales@portableheaterparts.com
techservice@portableheaterparts.com

FBD

1349 Adams Street
Bowling Green, KY 42103-3414, EE.UU.
270-846-1199
1-800-654-8534
Fax: 1-800-846-0090
franktalk@aol.com

Master Parts Dist.

1251 Mound Ave. NW
Grand Rapids, MI 49504-2672, EE.UU.
616-791-0505
1-800-446-1446
Fax: 616-791-8270
www.nbmc.com

Washer Equipment Co.

1715 Main Street
Kansas City, MO 64108-2195, EE.UU.
KS, MO, AR
816-842-3911
www.washerparts.com

East Coast Energy Products

707 Broadway
W Long Branch, NJ 07764-1542
732-870-8809
1-800-755-8809
www.njplaza.com/ececp

21st Century

2950 Fretz Valley Road
Perkasie, PA 18944-4034
215-795-0400
800-325-4828

Laporte's Parts & Service

2444 N. 5th Street
Hartsville, SC 29550-7704, EE.UU.
843-332-0191
Parts Department

Cans Unlimited, Inc.

P.O. Box 645
Taylor, SC 29687-0013, EE.UU.
Para todos los estados de EE.UU.
803-879-3009
1-800-845-5301
cuisales@aol.com

NOTAS

INFORMACIÓN DE GARANTÍA

GUARDE ESTA GARANTÍA

Modelo _____

N° de serie _____

Fecha de compra _____

Siempre especifique los números de modelo y de serie cuando se comunique con la fábrica.

Nos reservamos el derecho de modificar estas especificaciones en cualquier momento sin previo aviso. La única garantía aplicable es nuestra garantía estándar por escrito. No otorgamos ninguna otra garantía, expresa o implícita.

GARANTÍA LIMITADA PARA PRODUCTOS NUEVOS Y REACONDICIONADOS DE FÁBRICA CALENTADORES DE GAS SIN VENTILACIÓN PARA USO RESIDENCIAL

Productos nuevos: DESA Heating Products garantiza este calentador y cualquiera de sus partes contra cualquier defecto en los materiales y mano de obra por dos (2) años a partir del día de la compra, siempre y cuando se haya operado y dado mantenimiento de acuerdo con la instrucciones del fabricante. Estas garantías se extienden solamente al comprador minorista original, cuando se proporciona un comprobante de compra.

Calentadores reacondicionados de fábrica: DESA Heating Products garantiza este calentador y cualquiera de sus partes contra cualquier defecto en los materiales y mano de obra por treinta (30) días a partir del día de la compra, siempre y cuando se haya operado y dado mantenimiento de acuerdo con la instrucciones del fabricante. Estas garantías se extienden solamente al comprador minorista original, cuando se proporciona un comprobante de compra.

Esta garantía cubre únicamente al comprador minorista original. Esta garantía cubre el costo de las piezas necesarias para restaurar este calentador a sus condiciones correctas de funcionamiento y una cantidad compensatoria para mano de obra cuando sea realizada por un centro de servicio autorizado de DESA Heating Products. Las piezas de garantía SE DEBEN obtener por medio de los distribuidores autorizados de este producto y de DESA Heating Products quienes proporcionarán las piezas de repuesto originales de fábrica. Si no se utilizan piezas de repuesto originales de fábrica, esta garantía quedará anulada. Un instalador capacitado DEBE haber instalado el calentador de acuerdo con todos los códigos locales e instrucciones incluidas con la unidad.

Esta garantía no se aplica a las piezas que no estén en su condición original debido al desgaste y ruptura normales, ni a las piezas que fallen o se dañen como resultado del uso incorrecto, accidentes, falta de mantenimiento adecuado o defectos ocasionados por la instalación incorrecta. Los viáticos, gastos de diagnóstico, mano de obra, transporte y todos los costos de naturaleza similar que se relacionen con la reparación de un calentador defectuoso serán responsabilidad del propietario.

HASTA DONDE LO PERMITA LE LEY DE LA JURISDICCIÓN QUE REGULA LA VENTA DEL PRODUCTO, ESTA GARANTÍA EXPLÍCITA EXCLUYE A TODAS Y CADA UNA DE LAS DEMÁS GARANTÍAS EXPLÍCITAS Y LIMITA LA DURACIÓN DE TODAS Y CADA UNA DE LAS GARANTÍAS IMPLÍCITAS, INCLUSO LAS GARANTÍAS DE MERCANTIBILIDAD E IDONEIDAD PARA UN PROPÓSITO PARTICULAR, A DOS (2) AÑOS PARA TODOS LOS COMPONENTES A PARTIR DE LA FECHA DE LA PRIMERA COMPRA; Y EL PRESENTE DOCUMENTO LIMITA LA RESPONSABILIDAD DE DESA HEATING PRODUCTS AL PRECIO DE COMPRA DEL PRODUCTO, DE MANERA QUE DESA HEATING PRODUCTS NO SERÁ RESPONSABLE POR NINGÚN OTRO DAÑO EN ABSOLUTO, LO QUE INCLUYE LOS DAÑOS INDIRECTOS, INCIDENTALES O EMERGENTES.

En algunos estados no se permiten las limitaciones en cuanto a la duración de las garantías implícitas o las exclusiones o limitaciones de los daños incidentales o emergentes, de manera que es posible que la limitación anterior referente a las garantías implícitas o la exclusión o limitación de daños no se aplique a usted.

Esta garantía le otorga derechos legales específicos y usted podría tener también otros derechos que varían de un estado a otro.

Para obtener información sobre esta garantía, escriba a:

DESATM

INDOOR/OUTDOOR PRODUCTS

2701 Industrial Drive

P.O. Box 90004

Bowling Green, KY 42102-9004

www.desatech.com



116292 01
NOT A UPC

116292-01
Rev. A
04/05

Patente en trámite

Free Manuals Download Website

<http://myh66.com>

<http://usermanuals.us>

<http://www.somanuals.com>

<http://www.4manuals.cc>

<http://www.manual-lib.com>

<http://www.404manual.com>

<http://www.luxmanual.com>

<http://aubethermostatmanual.com>

Golf course search by state

<http://golfingnear.com>

Email search by domain

<http://emailbydomain.com>

Auto manuals search

<http://auto.somanuals.com>

TV manuals search

<http://tv.somanuals.com>