

Instructions For Installing GA2100A Fan Accessory

Carton Contents

- One Fan Accessory
- One Fan Housing
- Four #8 Screws
- Two #10 Screws
- One #10 Screw (long)
- Two "U" Nuts
- Three Brackets

NOTICE

If wall mounted, heater must be disconnected from gas supply and removed from wall before installing fan accessory. Contact a qualified service person to do this. All local codes must be followed.

WARNING

Fan accessory must be grounded. Fan comes with a three-prong, grounding plug as shown in Figure 1. The plug is your protection against electrical shock. Plug it into a standard, three-hole, grounded, outlet. If cord needs replacing, use only a cord with a three-prong, grounding plug.

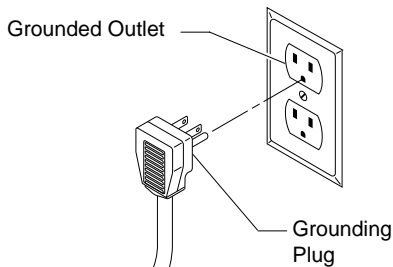


Figure 1 - Grounding Plug

Attaching Fan Accessory

1. Knock out center panel at four tabs with screwdriver (see Figure 2).
2. Position fan housing between fan accessory and heater back panel. Attach fan accessory and fan housing to heater back panel using four #8 screws (see Figure 3).

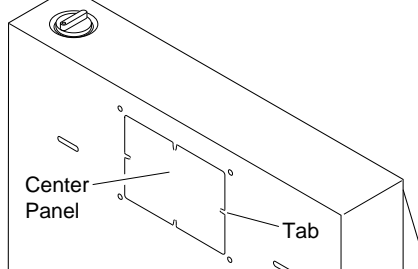


Figure 2 - Center Panel

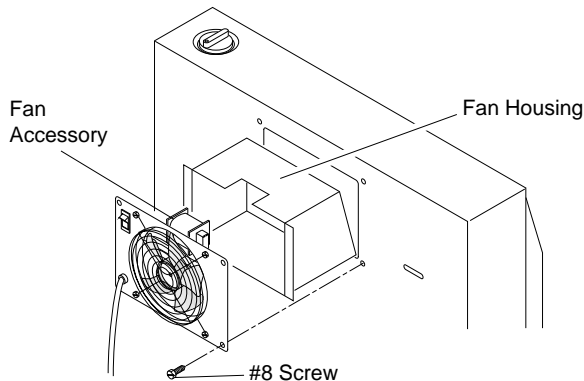


Figure 3 - Attaching Fan Accessory and Fan Housing

Wall Mounting Instructions For Models With Mounting Bracket

1. Mount heater to wall by following steps under INSTALLING TO WALL in owner's manual.
2. Plug power cord of fan into grounded outlet.
3. Discard "U" nuts, brackets, and extra screws provided with fan accessory.

Wall Mounting Instructions For Models With Raised Mounting Holes

After attaching fan accessory, heater must be mounted to wall in different manner than what is specified in owner's manual. Follow steps below to mount heater to wall.

1. Locate the two raised mounting areas at top of heater back panel. Each area has a square hole in center and a key hole at top (see Figure 4).

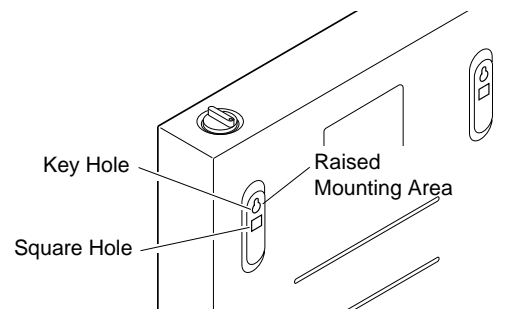


Figure 4 - Raised Mounting Areas

2. Insert "U" nut into square hole on each mounting area. Attach "U" nut as illustrated in Figure 5. Push "U" nut into place. Screw hole on "U" nut should be visible through key hole in mounting area.

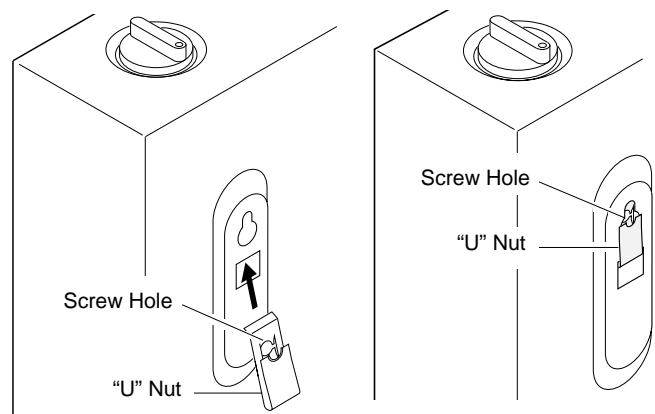


Figure 5 - Attaching "U" Nut

Continued on Back

- Attach one bracket to each mounting area. Position bracket as illustrated in Figure 6. Make sure round hole on bracket is against heater back panel and key hole is away from heater. Make sure small portion of key hole is on top (see Figure 6). Insert #10 screw through round hole in bracket and into "U" nut. Tighten screw firmly.

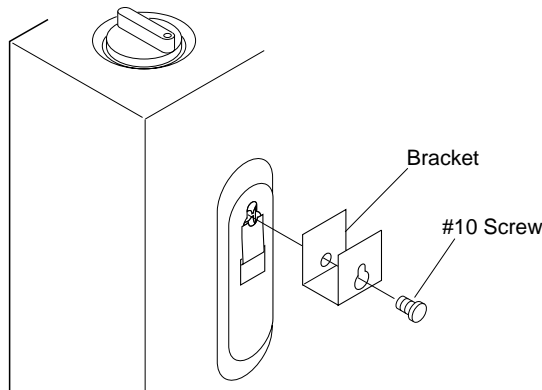


Figure 6 - Attaching Bracket

- Hang heater on wall. Do this by placing large opening of key hole (on bracket) over screwheads in wall. Slide heater down on screws. Screws should be located in small portion of key hole.
- Position third bracket between bottom screw hole on heater and wall (see Figure 7). Insert long #10 screw into bottom screw hole, through mounting bracket, and into wall anchor. Tighten screw firmly.
- Replace front panel of heater.

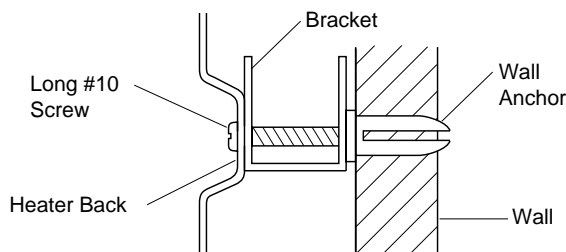


Figure 7 - Attaching Bottom Mounting Screw

Extension Cord

Use extension cord if needed. The cord must have a three-prong, grounding plug and a three-hole receptacle. Make sure cord is in good shape. It must be heavy enough to carry the current needed. An undersized cord will cause a drop in line voltage. This will result in loss of power and overheating. Use a No. 18 AWG cord for lengths less than 50 feet.

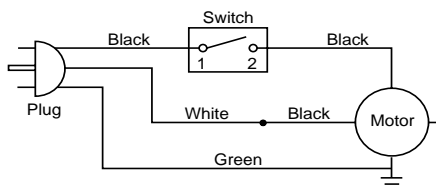


Figure 8 - Wiring Diagram For Fan Accessory

Operating Fan

To start fan, turn On/Off switch on. To stop fan, turn On/Off switch off.

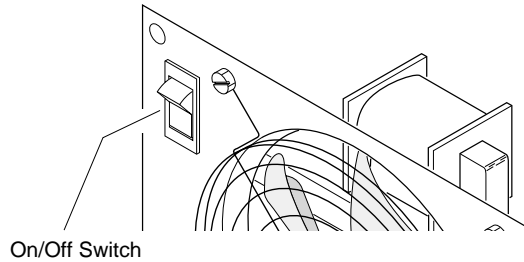


Figure 9 - On/Off Switch

LIMITED WARRANTY

DESA International warrants this product to be free from defects in materials and workmanship for one (1) year from the date of first purchase, provided that the product has been properly operated.

This warranty is extended only to the original purchaser. DESA shall either replace the product or refund the full purchase price. Warranty service is available only through authorized dealers.

This warranty does not apply to the failure of any part resulting from accident, or misuse by the owner nor does it apply to use in commercial applications.

To the full extent allowed by the law of the jurisdiction that governs the sale of the product: this express warranty excludes any and all other expressed warranties. The above expressed warranty is in lieu of all other warranties either expressed or implied including but not limited to the implied warranties of merchantability and fitness for a particular purpose. DESA's liability is hereby limited to the purchase price of the product and DESA shall not be liable for any other damages whatsoever including indirect, incidental, or consequential damages.

Some states do not allow a limitation on how long an implied warranty lasts, or an exclusion or limitation of incidental or consequential damages, so the above limitation or implied warranties, or exclusion or limitation on damages may not apply to you.

This warranty gives you specific legal rights, and you may also have other rights which vary from state to state.

For information about this warranty write:

DESA[®]
INTERNATIONAL

P.O. Box 90004
2701 Industrial Drive
Bowling Green, KY 42102-9004

098474-01
REV. F
8/93

Free Manuals Download Website

<http://myh66.com>

<http://usermanuals.us>

<http://www.somanuals.com>

<http://www.4manuals.cc>

<http://www.manual-lib.com>

<http://www.404manual.com>

<http://www.luxmanual.com>

<http://aubethermostatmanual.com>

Golf course search by state

<http://golfingnear.com>

Email search by domain

<http://emailbydomain.com>

Auto manuals search

<http://auto.somanuals.com>

TV manuals search

<http://tv.somanuals.com>