

DESATM

HEATING PRODUCTS

UNVENTED (VENT-FREE) INFRARED GAS HEATER SAFETY INFORMATION AND INSTALLATION MANUAL



We recommend that our products be installed and serviced by professionals who are certified in the U.S. by NFI (National Fireplace Institute).
www.nficertified.org

MODELS

**LCR16PT, LCR18NT, LCR26PT, LCR30NT
HDR16PT, HDR18NT, HDR26PT, HDR30NT**

⚠ WARNING: If the information in this manual is not followed exactly, a fire or explosion may result causing property damage, personal injury or loss of life.

- Do not store or use gasoline or other flammable vapors and liquids in the vicinity of this or any other appliance.
- **WHAT TO DO IF YOU SMELL GAS**
 - Do not try to light any appliance.
 - Do not touch any electrical switch; do not use any phone in your building.
 - Immediately call your gas supplier from a neighbor's phone. Follow the gas supplier's instructions.
 - If you cannot reach your gas supplier, call the fire department.
- Installation and service must be performed by a qualified installer, service agency or the gas supplier.

INSTALLER: Leave this manual with the appliance.
CONSUMER: Retain this manual for future reference.

For more information, visit www.desatech.com

TABLE OF CONTENTS

Safety	2	Service Hints	17
Local Codes.....	4	Technical Service.....	17
Unpacking.....	4	Troubleshooting.....	18
Product Identification.....	4	Specifications	21
Product Features	4	Accessories	21
Air For Combustion and Ventilation.....	5	Parts	22
Installation	7	Replacement Parts.....	25
Operation.....	13	Service Publications.....	25
Inspecting Heater	16	Parts Central.....	25
Cleaning	16	Warranty.....	26

SAFETY

⚠ WARNING: Improper installation, adjustment, alteration, service or maintenance can cause injury or property damage. Refer to this manual for correct installation and operational procedures. For assistance or additional information consult a qualified installer, service agency or the gas supplier.

⚠ WARNING: This is an unvented gas-fired heater. It uses air (oxygen) from the room in which it is installed. Provisions for adequate combustion and ventilation air must be provided. Refer to *Air for Combustion and Ventilation* section on page 5 of this manual.

This appliance is only for use with the type of gas indicated on the rating plate. This appliance is not convertible for use with other gases.

This appliance may be installed in an aftermarket,* permanently located, manufactured (mobile) home, where not prohibited by local codes.

* Aftermarket: Completion of sale, not for purpose of resale, from the manufacturer

⚠ WARNING: This product contains and/or generates chemicals known to the State of California to cause cancer or birth defects or other reproductive harm.

IMPORTANT: Read this owner's manual carefully and completely before trying to assemble, operate or service this heater. Improper use of this heater can cause serious injury or death from burns, fire, explosion, electrical shock and carbon monoxide poisoning.

⚠ DANGER: Carbon monoxide poisoning may lead to death!


Carbon Monoxide Poisoning: Early signs of carbon monoxide poisoning resemble the flu, with headaches, dizziness or nausea. If you have these signs, the heater may not be working properly. **Get fresh air at once!** Have heater serviced. Some people are more affected by carbon monoxide than others. These include pregnant women, people with heart or lung disease or anemia, those under the influence of alcohol and those at high altitudes.

SAFETY

Continued

Natural and Propane/LP Gas: Natural and Propane/LP gases are odorless. An odor-making agent is added to these gases. The odor helps you detect a gas leak. However, the odor added to the gas can fade. Gas may be present even though no odor exists.

Make certain you read and understand all warnings. Keep this manual for reference. It is your guide to safe and proper operation of this heater.

 **WARNING: Any change to this heater or its controls can be dangerous.**

 **WARNING: Do not use a blower insert, heat exchanger insert or other accessory not approved for use with this heater.**

Due to high temperatures, the appliance should be located out of traffic and away from furniture and draperies.

Do not place clothing or other flammable material on or near the appliance. Never place any objects on the heater.

Surface of heater becomes very hot when running heater. Keep children and adults away from hot surface to avoid burns or clothing ignition. Heater will remain hot for a time after shut-down. Allow surface to cool before touching.

Carefully supervise young children when they are in the same room with heater.

Make sure grill guard is in place before running heater.

Keep the appliance area clear and free from combustible materials, gasoline and other flammable vapors and liquids.

1. This appliance is only for use with the type of gas indicated on the rating plate. This appliance is not convertible for use with other gases.
2. Do not place propane/LP supply tank(s) inside any structure. Locate propane/LP supply tank(s) outdoors.
3. This heater shall not be installed in a bedroom or bathroom.
4. If you smell gas
 - Shut off gas supply
 - Do not try to light any appliance
 - Do not touch any electrical switch; do not use any phone in your building
 - Immediately call your gas supplier from a neighbor's phone. Follow the gas supplier's instructions
 - If you cannot reach your gas supplier, call the fire department
5. Always run heater with plaque control knob at the 1, 2, 3 or 4 locked positions. Never set control knob between locked positions. Poor combustion and higher levels of carbon monoxide may result.
6. This heater needs fresh, outside air ventilation to run properly. This heater has an Oxygen Depletion Sensing (ODS) safety shutoff system. The ODS shuts down the heater if not enough fresh air is available. See *Air for Combustion and Ventilation*, page 5.
7. Keep all air openings in front and bottom of heater clear and free of debris. This will insure enough air for proper combustion.
8. If heater shuts off, do not relight until you provide fresh, outside air. If heater keeps shutting off, have it serviced.
9. Do not run heater
 - where flammable liquids or vapors are used or stored
 - under dusty conditions
10. Do not use heater if any part has been under water. Immediately call a qualified service technician to inspect the room heater and to replace any part of the control system and any gas control which has been under water.
11. Turn off and unplug heater and let cool before servicing. Only a qualified service person should service and repair heater.

SAFETY

Continued

- Operating heater above elevations of 4,500 feet (1,371 m) could cause pilot outage.
- To prevent performance problems, do not use propane/LP fuel tank of less than 100 lbs. (45 kg) capacity.
- Before using furniture polish, wax, carpet cleaner or similar products, turn heater off. If heated, the vapors from these products may create a white powder residue within burner box or on adjacent walls or furniture.
- Provide adequate clearances around air openings.

LOCAL CODES

Install and use heater with care. Follow all local codes. In the absence of local codes, use the latest edition of *The National Fuel Gas Code, ANSI Z223.1/NFPA 54**.

*Available from:

American National Standards Institute, Inc.
1430 Broadway
New York, NY 10018

National Fire Protection Association, Inc.
Batterymarch Park
Quincy, MA 02269

State of Massachusetts: The installation must be made by a licensed plumber or gas fitter in the Commonwealth of Massachusetts.

Sellers of unvented propane or natural gas-fired supplemental room heaters shall provide to each purchaser a copy of 527 CMR 30 upon sale of the unit.

Vent-free gas products are prohibited for bedroom and bathroom installation in the Commonwealth of Massachusetts.

UNPACKING

- Remove heater from carton.
- Remove all protective packaging applied to heater for shipment.
- Check heater for any shipping damage. If heater is damaged, promptly return to where you bought heater.

PRODUCT IDENTIFICATION

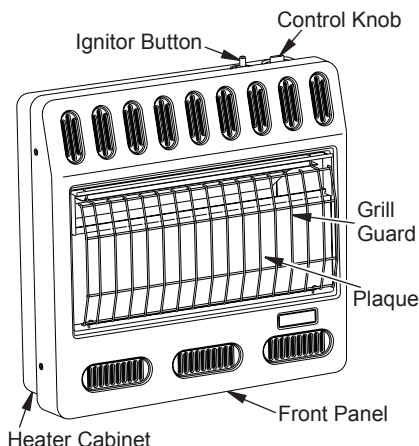


Figure 1 - Vent-Free Gas Heater

PRODUCT FEATURES

SAFETY DEVICE

This heater has a pilot with an Oxygen Depletion Sensing (ODS) safety shutoff system. The ODS/pilot is a required feature for vent-free room heaters. The ODS/pilot shuts off the heater if there is not enough fresh air.

PIEZO IGNITION SYSTEM

This heater has a piezo ignitor. This system requires no matches, batteries or other sources to light heater.

THERMOSTATIC HEAT CONTROL

Thermostat models have a thermostat sensing bulb and a control valve. This results in the greatest heater comfort. This can also result in lower gas bills.

AIR FOR COMBUSTION AND VENTILATION

⚠ WARNING: This heater shall not be installed in a confined space or unusually tight construction unless provisions are provided for adequate combustion and ventilation air. Read the following instructions to insure proper fresh air for this and other fuel-burning appliances in your home.

Today's homes are built more energy efficient than ever. New materials, increased insulation and new construction methods help reduce heat loss in homes. Home owners weather strip and caulk around windows and doors to keep the cold air out and the warm air in. During heating months, home owners want their homes as airtight as possible.

While it is good to make your home energy efficient, your home needs to breathe. Fresh air must enter your home. All fuel-burning appliances need fresh air for proper combustion and ventilation.

Exhaust fans, fireplaces, clothes dryers and fuel burning appliances draw air from the house to operate. You must provide adequate fresh air for these appliances. This will insure proper venting of vented fuel-burning appliances.

PROVIDING ADEQUATE VENTILATION

The following are excerpts from *National Fuel Gas Code, ANSI Z223.1/NFPA 54, Section 5.3, Air for Combustion and Ventilation*.

All spaces in homes fall into one of the three following ventilation classifications:

1. Unusually Tight Construction
2. Unconfined Space
3. Confined Space

The information on pages 5 through 7 will help you classify your space and provide adequate ventilation.

Unusually Tight Construction

The air that leaks around doors and windows may provide enough fresh air for combustion and ventilation. However, in buildings of unusually tight construction, you must provide additional fresh air.

Unusually tight construction is defined as construction where:

- a. walls and ceilings exposed to the outside atmosphere have a continuous water vapor retarder with a rating of one perm (6×10^{-11} kg per pa-sec- m^2) or less with openings gasketed or sealed and
- b. weather stripping has been added on openable windows and doors and
- c. caulking or sealants are applied to areas such as joints around window and door frames, between sole plates and floors, between wall-ceiling joints, between wall panels, at penetrations for plumbing, electrical and gas lines and at other openings.

If your home meets all of these three criteria, you must provide additional fresh air. See [Ventilation Air From Outdoors](#), page 7.

If your home does not meet all of the three criteria above, proceed to [Determining Fresh-Air Flow For Heater Location](#), page 6.

Confined and Unconfined Space

The National Fuel Gas Code, ANSI Z223.1/NFPA 54 defines a confined space as a space whose volume is less than 50 cubic feet per 1,000 Btu per hour (4.8 m^3 per kw) of the aggregate input rating of all appliances installed in that space and an unconfined space as a space whose volume is not less than 50 cubic feet per 1,000 Btu per hour (4.8 m^3 per kw) of the aggregate input rating of all appliances installed in that space. Rooms communicating directly with the space in which the appliances are installed*, through openings not furnished with doors, are considered a part of the unconfined space.

* Adjoining rooms are communicating only if there are doorless passageways or ventilation grills between them.

AIR FOR COMBUSTION AND VENTILATION

Continued

DETERMINING FRESH-AIR FLOW FOR HEATER LOCATION

Determining if You Have a Confined or Unconfined Space

Use this work sheet to determine if you have a confined or unconfined space.

Space: Includes the room in which you will install heater plus any adjoining rooms with doorless passageways or ventilation grills between the rooms.

1. Determine the volume of the space (length x width x height).

Length x Width x Height = _____ cu. ft.
(volume of space)

Example: Space size 20 ft. (6.1 m) (length) x 16 ft. (4.88 m) (width) x 8 ft. (2.44 m) (ceiling height) = 2560 cu. ft. (72.49 m³) (volume of space)

If additional ventilation to adjoining room is supplied with grills or openings, add the volume of these rooms to the total volume of the space.

2. Multiply the space volume by 20 to determine the maximum Btu/Hr the space can support.

_____ (volume of space) x 20 = (Maximum Btu/Hr the space can support)

Example: 2560 cu. ft. (72.49 m³) (volume of space) x 20 = 51,200 (maximum Btu/Hr the space can support)

3. Add the Btu/Hr of all fuel burning appliances in the space.

Vent-free heater	_____ Btu/Hr
Gas water heater*	_____ Btu/Hr
Gas furnace	_____ Btu/Hr
Vented gas heater	_____ Btu/Hr
Gas fireplace logs	_____ Btu/Hr
Other gas appliances*+	_____ Btu/Hr
Total	= _____ Btu/Hr

* Do not include direct-vent gas appliances. Direct-vent draws combustion air from the outdoors and vents to the outdoors.

Example:

Gas water heater	<u>40,000</u>	Btu/Hr
Vent-free heater	+ <u>20,000</u>	Btu/Hr
Total	= <u>60,000</u>	Btu/Hr

4. Compare the maximum Btu/Hr the space can support with the actual amount of Btu/Hr used.

_____ Btu/Hr (maximum can support)

_____ Btu/Hr (actual amount used)

Example: 51,200 Btu/Hr (maximum the space can support)

60,000 Btu/Hr (actual amount of Btu/Hr used)

The space in the above example is a confined space because the actual Btu/Hr used is more than the maximum Btu/Hr the space can support. You must provide additional fresh air. Your options are as follows:

- A. Rework worksheet, adding the space of an adjoining room. If the extra space provides an unconfined space, remove door to adjoining room or add ventilation grills between rooms. See *Ventilation Air From Inside Building*.
- B. Vent room directly to the outdoors. See *Ventilation Air From Outdoors*, page 7.
- C. Install a lower Btu/Hr heater, if lower Btu/Hr size makes room unconfined.

If the actual Btu/Hr used is less than the maximum Btu/Hr the space can support, the space is an unconfined space. You will need no additional fresh air ventilation.

⚠ WARNING: If the area in which the heater may be operated is smaller than that defined as an unconfined space or if the building is of unusually tight construction, provide adequate combustion and ventilation air by one of the methods described in the *National Fuel Gas Code, ANSI Z223.1/NFPA 54 Section 5.3* or applicable local codes.

VENTILATION AIR

Ventilation Air From Inside Building

This fresh air would come from an adjoining unconfined space. When ventilating to an adjoining unconfined space, you must provide two permanent openings: one within 12" (30.5 cm) of the ceiling and one within 12" (30.5 cm) of the floor on the wall connecting the two spaces (see options 1 and 2, Figure 2, page 7). You can also remove door into adjoining room (see option 3, Figure 2, page 7). Follow the *National Fuel Gas Code, ANSI Z223.1/NFPA 54, Section 5.3, Air for Combustion and Ventilation* for required size of ventilation grills or ducts.

AIR FOR COMBUSTION AND VENTILATION

Continued

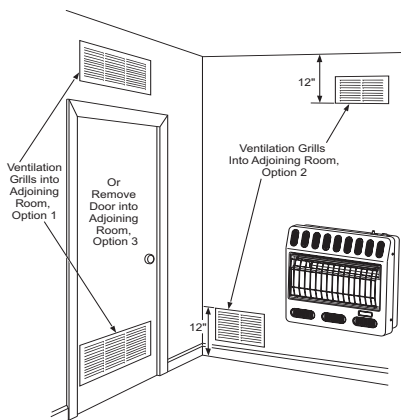


Figure 2 - Ventilation Air from Inside Building

Ventilation Air From Outdoors

Provide extra fresh air by using ventilation grills or ducts. You must provide two permanent openings: one within 12" (30.5 cm) of the ceiling and one within 12" (30.5 cm) of the floor. Connect these items directly to the outdoors or spaces open to the outdoors. These spaces include attics and crawl spaces. Follow the *National Fuel Gas Code, ANSI Z223.1/NFPA 54, Section 5.3, Air for Combustion and Ventilation* for required size of ventilation grills or ducts.

IMPORTANT: Do not provide openings for inlet or outlet air into attic if attic has a thermostat-controlled power vent. Heated air entering the attic will activate the power vent.

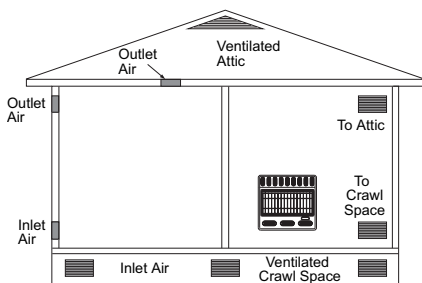


Figure 3 - Ventilation Air from Outdoors

INSTALLATION

NOTICE: This heater is intended for use as supplemental heat. Use this heater along with your primary heating system. Do not install this heater as your primary heat source. If you have a central heating system, you may run system's circulating blower while using heater. This will help circulate the heat throughout the house. In the event of a power outage, you can use this heater as your primary heat source.

WARNING: A qualified service person must install heater. Follow all local codes.

CHECK GAS TYPE

Use only the correct type of gas (natural or propane/LP). If your gas supply is not the correct gas type, do not install heater. Call dealer where you bought heater for proper type heater.

WARNING: This appliance is equipped for either natural gas or propane/LP gas but not both. Gas type is indicated on the rating plate. Field conversion is not permitted.

INSTALLATION ITEMS

Before installing heater, make sure you have the items listed below.

- for propane/LP gas, external regulator (supplied by installer)
- piping (check local codes)
- sealant (resistant to propane/LP gas)
- equipment shutoff valve *
- ground joint union
- sediment trap
- tee joint
- pipe wrench
- for natural gas, test gauge connection*

* A CSA design-certified equipment shutoff valve with 1/8" NPT tap is an acceptable alternative to test gauge connection. The optional CSA design-certified equipment shutoff valve can be purchased from your dealer. See [Accessories](#), page 21.

INSTALLATION

Continued

LOCATING HEATER

This heater is designed to be mounted on a wall.

⚠ WARNING: Maintain the minimum clearances shown in Figure 4. If you can, provide greater clearances from floor, ceiling and joining wall.

You can locate heater on floor, away from a wall. An optional floor mounting stand is needed. Purchase the floor mounting stand from your dealer. See Accessories, page 21.

⚠ WARNING: Never install the heater

- in a bedroom or bathroom
- in a recreational vehicle
- where curtains, furniture, clothing or other flammable objects are less than 36" (91.5 cm) from the front, top or sides of the heater
- as a fireplace insert
- in high traffic areas
- in windy or drafty areas

⚠ CAUTION: If you install the heater in a home garage

- heater pilot and burner must be at least 18" (45.7 cm) above floor
- locate heater where moving vehicle will not hit it

⚠ CAUTION: This heater creates warm air currents. These currents move heat to wall surfaces next to heater. Installing heater next to vinyl or cloth wall coverings or operating heater where impurities (such as, but not limited to, tobacco smoke, aromatic candles, cleaning fluids, oil or kerosene lamps, etc.) in the air exist, may discolor walls or cause odors.

IMPORTANT: Vent-free heaters add moisture to the air. Although this is beneficial, installing heater in rooms without enough ventilation air may cause mildew to form from too much moisture. See Air for Combustion and Ventilation, page 5. If high humidity is experienced, a dehumidifier may be used to help lower the water vapor content in the air.

For convenience and efficiency, install heater

- where there is easy access for operation, inspection and service
- in coldest part of room

If planning to use fan, locate heater near an electrical outlet.

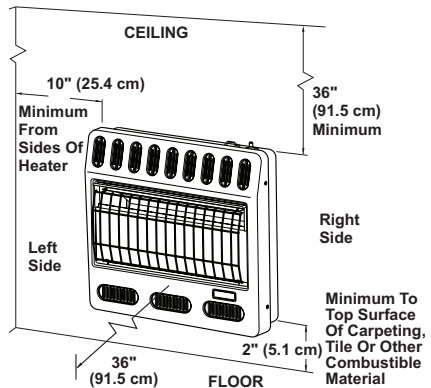


Figure 4 - Mounting Clearances As Viewed From Front of Heater

THERMOSTAT SENSING BULB

The thermostat sensing bulb has been placed below the heater.

1. Place clamp on thermostat sensing bulb as shown in Figure 5. Clamp is provided in hardware package.
2. Snap clamp into upper mounting hole as shown in Figure 5. Mounting hole is located on lower left edge on back of heater. Make sure the thermostat sensing bulb is pointing up.

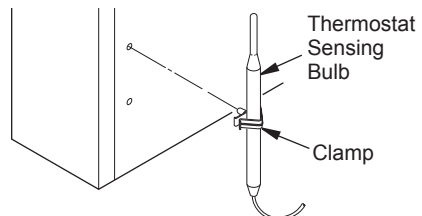


Figure 5 - Attaching Thermostat Sensing Bulb

INSTALLATION

Continued

INSTALLING HEATER TO WALL

Mounting Bracket

Locate mounting bracket in heater carton. Remove mounting bracket from heater carton.

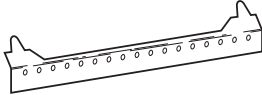


Figure 6 - Mounting Bracket

Removing Front Panel Of Heater

1. Remove the four painted screws, two on each side of front panel.
2. Pull bottom of front panel forward, then up.
3. Remove any remaining packaging materials.

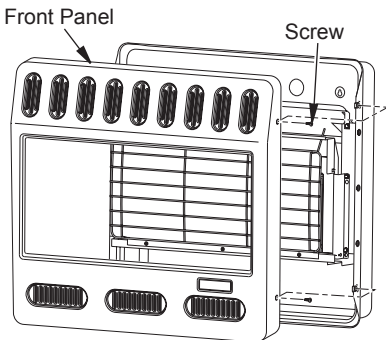


Figure 7 - Removing Front Panel Of Heater

Methods For Attaching Mounting Bracket To Wall

Only use last hole on each end of mounting bracket to attach bracket to wall. These two holes are 14" (35.6 cm) apart from their centers. Attach mounting bracket to wall in one of two ways:

1. Attaching to wall stud
2. Attaching to wall anchor

Attaching to Wall Stud: This method provides the strongest hold. Insert mounting screws through mounting bracket and into wall studs.

Attaching to Wall Anchor: This method allows you to attach mounting bracket to hollow walls (wall areas between studs) or to solid walls (concrete or masonry).

Decide which method better suits your needs. Either method will provide a secure hold for the mounting bracket.

Marking Screw Locations

1. Tape mounting bracket to wall where heater will be located. Make sure mounting bracket is level.

WARNING: Maintain minimum clearances shown in Figure 8. If you can, provide greater clearances from floor and joining wall.

2. Mark screw locations on wall (see Figure 8). *Note: Only mark last hole on each end of mounting bracket. Insert mounting screws through these holes only.*
3. Remove tape and mounting bracket from wall.

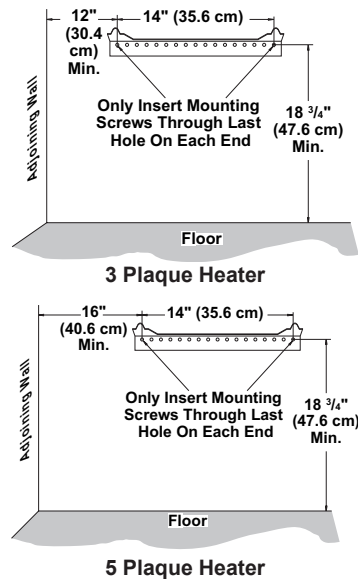


Figure 8 - Mounting Bracket Clearances

Attaching Mounting Bracket To Wall

Note: Wall anchors, mounting screws and spacers are in hardware package. The hardware package is provided with heater.

Attaching To Wall Stud Method

For attaching mounting bracket to wall studs

1. Drill holes at marked locations using 9/64" drill bit.
2. Place mounting bracket onto wall. Line up last hole on each end of bracket with holes drilled in wall.
3. Insert mounting screws through bracket and into wall studs.
4. Tighten screws until mounting bracket is firmly fastened to wall studs.

INSTALLATION

Continued

Attaching To Wall Anchor Method

For attaching mounting bracket to hollow walls (wall areas between studs) or solid walls (concrete or masonry)

1. Drill holes at marked locations using 5/16" drill bit. For solid walls (concrete or masonry), drill at least 1" (2.5 cm) deep.
2. Fold wall anchor as shown in Figure 9.
3. Insert wall anchor (wings first) into hole. Tap anchor flush to wall.
4. For thin walls [1/2" (1.3 cm) or less], insert red key into wall anchor. Push red key to "pop" open anchor wings. **IMPORTANT:** Do not hammer key! For thick walls [over 1/2" (1.3 cm) thick] or solid walls, do not pop open wings.
5. Place mounting bracket onto wall. Line up last hole on each end of bracket with wall anchors.
6. Insert mounting screws through bracket and into wall anchors.
7. Tighten screws until mounting bracket is firmly fastened to wall.

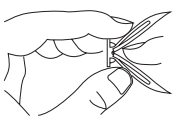


Figure 9 - Folding Anchor

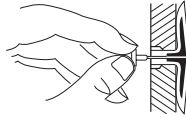


Figure 10 - Popping Open Anchor Wings For Thin Walls

Placing Heater On Mounting Bracket

1. Locate two horizontal slots on back panel of heater.
2. Place heater onto mounting bracket. Slide horizontal slots onto stand-out tabs on mounting bracket.

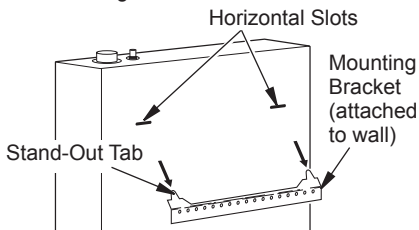


Figure 11 - Mounting Heater Onto Mounting Bracket

Installing Bottom Mounting Screws

1. Locate two bottom mounting holes. These holes are near bottom on back panel of heater (see Figure 12).

2. Mark screw locations on wall.
3. Remove heater from mounting bracket.
4. If installing bottom mounting screws into hollow or solid wall, install wall anchors. Follow steps 1 through 4 under Attaching To Wall Anchor Method.

If installing bottom mounting screw into wall stud, drill holes at marked locations using 9/64" drill bit.

5. Replace heater onto mounting bracket.
6. Place spacers between bottom mounting holes and wall anchor or drilled hole.
7. Hold spacer in place with one hand. With other hand, insert mounting screw through bottom mounting hole and spacer. Place tip of screw in opening of wall anchor or drilled hole.
8. Tighten both screws until heater is firmly secured to wall. Do not over tighten.

Note: Do not replace front panel at this time. Replace front panel after making gas connections and checking for leaks (see page 11).

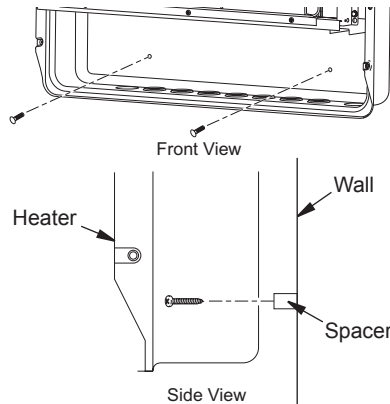


Figure 12 - Installing Bottom Mounting Screws

MOUNTING HEATER TO FLOOR WITH OPTIONAL FLOOR KIT

Mounting Base Feet to Heater

Note: A 90° elbow is required for mounting this unit and must be installed BEFORE base feet to provide proper clearance (see Figure 15, page 12).

1. Lay heater cabinet on its back on a table with the heater bottom overhanging table edge.
2. Apply pipe joint sealant lightly to male NPT threads of elbow. Hold pressure regulator with a wrench when connecting elbow. Do not overtighten elbow to regulator. Regulator body could be damaged.

INSTALLATION

Continued

3. Align holes in base foot with mounting holes on bottom of cabinet (see Figure 13).
4. Secure base foot to heater using sheet metal screws.
5. Repeat for other side.

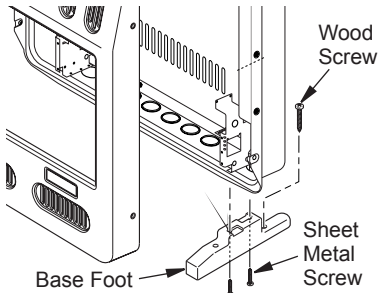


Figure 13 - Installing Base Feet (actual heater may vary from illustration)

Mounting Base Feet to Floor

1. Remove front panel (see [Removing Front Panel of Heater](#), page 9).
2. Position heater with base feet in desired location. Mark holes for drilling. Remove heater with base.
3. For carpeted floors, make a small cut with a sharp knife at marked locations prior to drilling. If mounting base to a wood floor, drill 1/8" diameter hole, 3/4" deep. (Do not use anchors in wood floors). If mounting base to a concrete floor, drill with 1/4" diameter concrete drill bit, 1 3/8" into floor. Insert anchors completely into holes.
4. Reposition heater with base feet over holes. Secure base to floor with wood screws. See Figure 13.

CONNECTING TO GAS SUPPLY

⚠ WARNING: This appliance requires a 3/8" NPT (National Pipe Thread) inlet connection to the pressure regulator.

⚠ WARNING: A qualified service person must connect heater to gas supply. Follow all local codes.

⚠ WARNING: For natural gas, never connect heater to private (non-utility) gas wells. This gas is commonly known as wellhead gas.

IMPORTANT: For natural gas, check gas line pressure before connecting heater to gas line. Gas line pressure must be no greater than 10.5" of water. If gas line pressure is higher, heater regulator damage could occur.

⚠ CAUTION: For propane/LP gas, never connect heater directly to the propane/LP supply. This heater requires an external regulator (not supplied). Install the external regulator between the heater and propane/LP supply.

For propane/LP gas, the installer must supply an external regulator. The external regulator will reduce incoming gas pressure. You must reduce incoming gas pressure to between 11" and 14" of water. If you do not reduce incoming gas pressure, heater regulator damage could occur. Install the external regulator with the vent pointing down as shown in Figure 14. Pointing the vent down protects it from freezing rain or sleet.

⚠ CAUTION: Use only new, black iron or steel pipe. Internally-tinned copper tubing may be used in certain areas. Check your local codes. Use pipe of large enough diameter to allow proper gas volume to heater. If pipe is too small, undue loss of volume will occur.

Typical Inlet Pipe Diameters

- 16-18,000 Btu/hr models - 3/8" or greater
- 26-30,000 Btu/hr models - 1/2" or greater

Installation must include equipment shutoff valve, union and plugged 1/8" NPT tap. Locate NPT tap within reach for test gauge hook up. NPT tap must be upstream from heater (see Figure 15, page 12).

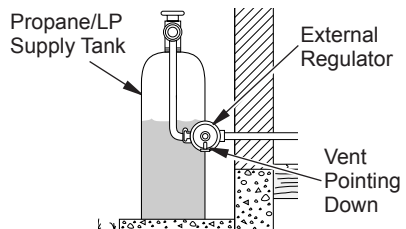


Figure 14 - External Regulator With Vent Pointing Down

INSTALLATION

Continued

IMPORTANT: Install an equipment shutoff valve in an accessible location. The equipment shutoff valve is for turning on or shutting off the gas to the appliance.

Apply pipe joint sealant lightly to male NPT threads. This will prevent excess sealant from going into pipe. Excess sealant in pipe could result in clogged heater valves.

⚠ WARNING: Use pipe joint sealant that is resistant to liquid petroleum (LP) gas.

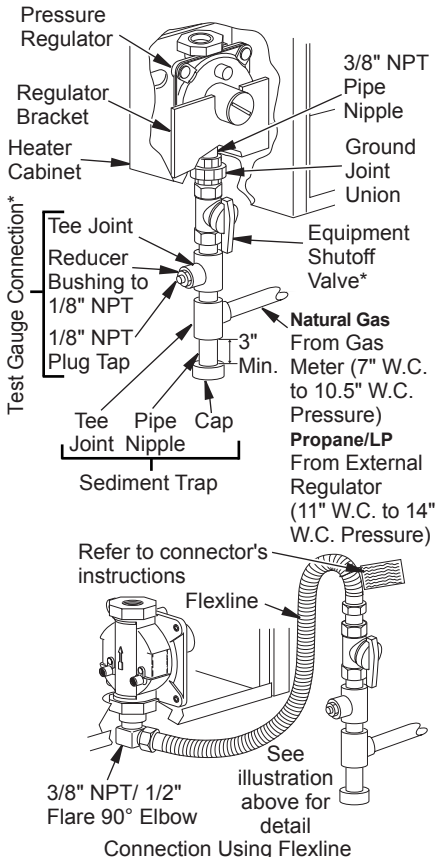


Figure 15 - Gas Connection

* A CSA design-certified equipment shutoff valve with 1/8" NPT tap is an acceptable alternative to test gauge connection. Purchase the optional CSA design-certified equipment shutoff valve from your dealer. See [Accessories](#), page 21.

Install sediment trap in supply line as shown in Figure 15. Locate sediment trap where it is within reach for cleaning. Locate sediment trap where trapped matter is not likely to freeze. A sediment trap traps moisture and contaminants. This keeps them from going into heater controls. If sediment trap is not installed or is installed wrong, heater may not run properly.

IMPORTANT: Hold the pressure regulator with wrench when connecting it to gas piping and/or fittings. Do not over tighten pipe connection to regulator. The regulator body could be damaged.

CHECKING GAS CONNECTIONS

⚠ WARNING: Test all gas piping and connections, internal and external to unit, for leaks after installing or servicing. Correct all leaks at once.

⚠ WARNING: Never use an open flame to check for a leak. Apply a noncorrosive leak detection fluid to all joints. Bubbles forming show a leak. Correct all leaks at once.

⚠ CAUTION: For propane/LP gas, make sure external regulator has been installed between propane/LP supply and heater. See guidelines under [Connecting to Gas Supply](#), page 11.

PRESSURE TESTING GAS SUPPLY PIPING SYSTEM

Test Pressures In Excess Of 1/2 PSIG (3.5 kPa)

1. Disconnect appliance with its appliance main gas valve (control valve) and equipment shutoff valve from gas supply piping system. Pressures in excess of 1/2 psig will damage heater regulator.
2. Cap off open end of gas pipe where equipment shutoff valve was connected.
3. Pressurize supply piping system by either opening propane/LP supply tank valve for propane/LP gas or opening main gas valve located on or near gas meter for natural gas or using compressed air.

INSTALLATION

Continued

4. Check all joints of gas supply piping system. Apply a noncorrosive leak detection fluid to all joints. Bubbles forming show a leak.
5. Correct all leaks at once.
6. Reconnect heater and equipment shutoff valve to gas supply. Check reconnected fittings for leaks.

Test Pressures Equal To or Less Than 1/2 PSIG (3.5 kPa)

1. Close equipment shutoff valve (see Figure 16).
2. Pressurize supply piping system by either opening propane/LP supply tank valve for propane/LP gas or opening main gas valve located on or near gas meter for natural gas or using compressed air.
3. Check all joints from gas meter for natural gas (see Figure 17) or propane/LP supply tank for propane/LP gas, to equipment shutoff valve (see Figure 18). Apply a noncorrosive leak detection fluid to all joints. Bubbles forming show a leak.
4. Correct all leaks at once.

PRESSURE TESTING HEATER GAS CONNECTIONS

1. Open equipment shutoff valve (see Figure 16).
2. For natural gas open main gas valve located on or near gas meter. For propane/LP gas open propane/LP supply tank valve.
3. Make sure control knob of heater is in the OFF position.
4. Check all joints from equipment shutoff valve to thermostat gas valve (see Figure 17 or 18). Apply a noncorrosive leak detection fluid to all joints. Bubbles forming show a leak.
5. Correct all leaks at once.
6. Light heater (see [Operation](#)). Check all other internal joints for leaks.
7. Turn off heater (see [To Turn Off Gas to Appliance](#), page 15).
8. Replace front panel.

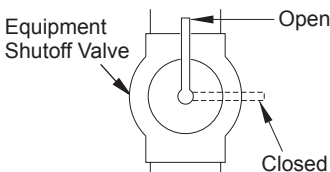


Figure 16 - Equipment Shutoff Valve

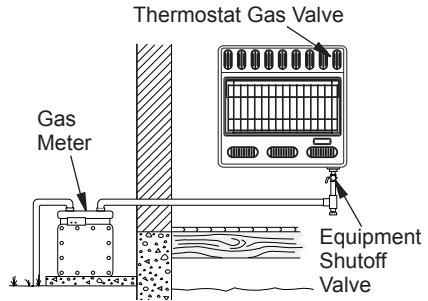


Figure 17 - Checking Gas Joints for Natural Gas

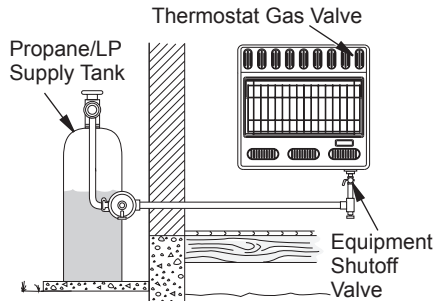


Figure 18 - Checking Gas Joints for Propane/LP Gas

OPERATION

FOR YOUR SAFETY READ BEFORE LIGHTING

WARNING: If you do not follow these instructions exactly, a fire or explosion may result causing property damage, personal injury or loss of life.

- A. This appliance has a pilot which must be lighted by hand. When lighting the pilot, follow these instructions exactly.
- B. BEFORE LIGHTING smell all around the appliance area for gas. Be sure to smell next to the floor because some gas is heavier than air and will settle on the floor.



OPERATION

Continued


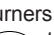
WHAT TO DO IF YOU SMELL GAS

- Do not try to light any appliance.
 - Do not touch any electric switch; do not use any phone in your building.
 - Immediately call your gas supplier from a neighbor's phone. Follow the gas supplier's instructions.
 - If you cannot reach your gas supplier, call the fire department.
- C. Use only your hand to push in or turn the gas control knob. Never use tools. If the knob will not push in or turn by hand, don't try to repair it, call a qualified service technician. Force or attempted repair may result in a fire or explosion.
- D. Do not use this appliance if any part has been under water. Immediately call a qualified service technician to inspect the appliance and to replace any part of the control system and any gas control which has been under water.

LIGHTING INSTRUCTIONS

1. STOP! Read the safety information starting on page 13.
2. Make sure equipment shutoff valve is fully open.
3. Turn off any electric power to the appliance if service is to be performed.
4. Turn control knob clockwise  to the OFF position.
5. Wait five minutes to clear out any gas. Then smell for gas, including near the floor. If you smell gas, STOP! Follow "B" in the safety information starting on page 13. If you don't smell gas, go to the next step.
6. Turn control knob counterclockwise  to the PILOT position. Press in control knob for five (5) seconds.
7. With control knob pressed in, push down and release ignitor button. This will light pilot. The pilot is attached to the front of burner.

Note: You may be running this heater for the first time after hooking up to gas supply. If so, you may need to press in control knob for 30 seconds or more. This will allow air to bleed from the gas system. If needed, keep pressing ignitor button until pilot lights. If ignitor does not light pilot, refer to [Troubleshooting](#), page 18 or contact a qualified service person or gas supplier for repairs. Until repairs are made, light pilot with match. To light pilot with match, see [Manual Lighting Procedure](#), page 15.

8. Keep control knob pressed in for 30 seconds after lighting pilot. After 30 seconds, release control knob.
 - If control knob does not pop up when released, contact a qualified service person or gas supplier for repairs.
- Note: If pilot goes out, repeat steps 4 thru 7. Wait one (1) minute before lighting pilot again.*
9. Turn control knob counterclockwise  to desired heating level. The main burner should light.
10. To leave pilot lit and shut off burners only, turn control knob clockwise  to the PILOT position.

 **CAUTION: Do not try to adjust heating levels by using the equipment shutoff valve.**

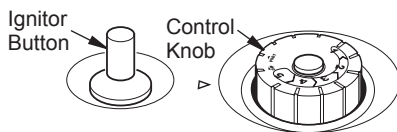


Figure 19 - Control Knob In The OFF Position

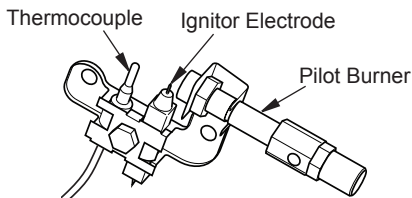


Figure 20 - Pilot

OPERATION

Continued

TO SELECT HEATING LEVEL

⚠ WARNING: When running heater, set control knob at **LOW, MED** or **HI** locked positions. Never set control knob between locked positions. Poor combustion and higher levels of carbon monoxide may result.

⚠ CAUTION: Do not try to adjust heating levels by using the equipment shutoff valve.

Turn thermostat control knob counterclockwise ↶ to the desired heating level. The main burner should light. Set control knob to any heat level between 1 and 5 (see Figure 21).

Control Knob

Burners

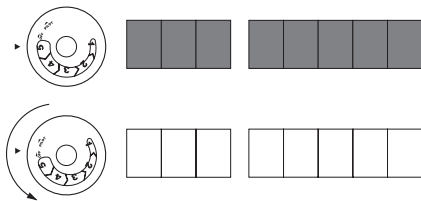


Figure 21 - Burner Patterns

TO TURN OFF GAS TO APPLIANCE

1. Turn control knob clockwise ↷ to the OFF position.
2. Turn off all electric power to the appliance if service is to be performed.
3. Close equipment shutoff valve (see Figure 16, page 13).

THERMOSTAT CONTROL OPERATION

The thermostatic control used on these models differs from standard thermostats. Standard thermostats simply turn on and off the burner. The thermostat used on this heater senses the room temperature. At times the room may exceed the set temperature. If so, the burner will shut off. The burner will cycle back on when room temperature drops below the set temperature. The control knob can be set to any heat level between 1 and 5. All plaques will turn off and on.

Note: The thermostat sensing bulb measures the temperature of air near the heater cabinet. This may not always agree with room temperature (depending on housing construction, installation location, room size, open air temperatures, etc.) Frequent use of your heater will let you determine your own comfort levels.

MANUAL LIGHTING PROCEDURE

1. Remove front panel (see Figure 7, page 9).
2. Follow steps 1 through 7 under Lighting Instructions, page 14.
3. With control knob pressed in, strike match. Hold match to pilot until pilot lights.
4. Keep control knob pressed in for 30 seconds after lighting pilot. After 30 seconds, release control knob. Now follow step 9, under Lighting Instructions, page 14.
5. Replace front panel.

INSPECTING HEATER

Check pilot flame pattern and burner flame pattern often.

PILOT FLAME PATTERN

Figure 22 shows a correct pilot flame pattern. Figure 23 shows an incorrect pilot flame pattern. The incorrect pilot flame is not touching the thermocouple. This will cause the thermocouple to cool. When the thermocouple cools, the heater will shut down.

If pilot flame pattern is incorrect, as shown in Figure 23

- turn heater off (see *To Turn Off Gas to Appliance*, page 15)
- see *Troubleshooting*, page 18

Note: The pilot flame on natural gas units will have a slight curve, but flame should be blue and have no yellow or orange color.

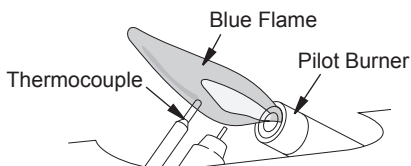


Figure 22 - Correct Pilot Flame Pattern

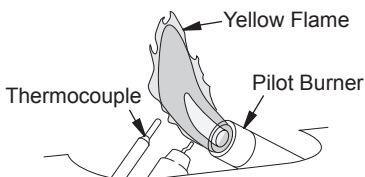


Figure 23 - Incorrect Pilot Flame Pattern

BURNER FLAME PATTERN

Figure 24 shows a correct burner flame pattern. Figure 25 shows an incorrect burner flame pattern.

If burner flame pattern is incorrect, as shown in Figure 25

- turn heater off (see *To Turn Off Gas to Appliance*, page 15)
- see *Troubleshooting*, page 18

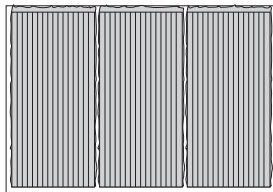


Figure 24 - Correct Burner Flame Pattern

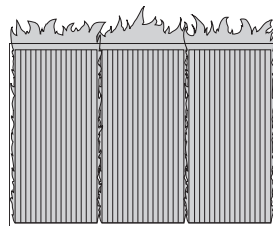


Figure 25 - Incorrect Burner Flame Pattern

CLEANING

⚠ WARNING: Turn off heater and let cool before cleaning.

⚠ CAUTION: You must keep control areas, burner and circulating air passageways of heater clean. Inspect these areas of heater before each use. Have heater inspected yearly by a qualified service person. Heater may need more frequent cleaning due to excessive lint from carpeting, bedding material, pet hair, etc.

⚠ WARNING: Failure to keep the primary air opening(s) of the burner(s) clean may result in sooting and property damage.

CLEANING

Continued

ODS/PILOT AND BURNER

Use a vacuum cleaner, pressurized air or small, soft bristled brush to clean.

BURNER PILOT AIR INLET

The primary air inlet holes allow the proper amount of air to mix with the gas. This provides a clean burning flame. Keep these holes clear of dust, dirt and lint. Clean these air inlet holes prior to each heating season. Blocked air holes will create soot. We recommend that you clean the unit every three months during operation and have heater inspected yearly by a qualified service person.

We also recommend that you keep the burner tube and pilot assembly clean and free of dust and dirt. To clean these parts we recommend using compressed air no greater than 30 PSI. Your local computer store, hardware store or home center may carry compressed air in a can. If using compressed air in a can, please follow the directions on the can. If you don't follow directions on the can, you could damage the pilot assembly.

1. Shut off the unit, including the pilot. Allow the unit to cool for at least thirty minutes.
2. Inspect burner, pilot for dust and dirt.
3. Blow air through the ports/slots and holes in the burner.
4. Never insert objects into the pilot tube.

Clean the pilot assembly also. A yellow tip on the pilot flame indicates dust and dirt in the pilot assembly. There is a small pilot air inlet about two inches from where the pilot flame comes out of the pilot assembly (see Figure 26). With the unit off, lightly blow air through the air inlet. You may blow through a drinking straw if compressed air is not available.

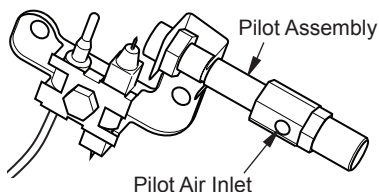


Figure 26 - Pilot Air Inlet

CABINET

Air Passageways

Use pressurized air to clean.

Exterior

Use a soft cloth dampened with a mild soap and water mixture. Wipe the cabinet to remove dust.

SERVICE HINTS

When Gas Pressure Is Too Low

- pilot will not stay lit
- burner will have delayed ignition
- heater will not produce specified heat
- propane/LP gas supply may be low

You may feel your gas pressure is too low. If so, contact your local natural or propane/LP gas supplier.

TECHNICAL SERVICE

You may have further questions about installation, operation or troubleshooting. If so, contact DESA Heating Products' Technical Service Department at 1-866-672-6040. When calling please have your model and serial numbers of your heater ready.

You can also visit DESA Heating Products' technical service web site at www.desatech.com.

TROUBLESHOOTING

⚠ WARNING: Turn off and unplug heater and let cool before servicing. Only a qualified service person should service and repair heater.

⚠ CAUTION: Never use a wire, needle or similar object to clean ODS/pilot. This can damage ODS/pilot unit.

Note: All troubleshooting items are listed in order of operation.

OBSERVED PROBLEM	POSSIBLE CAUSE	REMEDY
When ignitor button is pressed in, there is no spark at ODS/pilot	<ol style="list-style-type: none"> 1. Ignitor electrode positioned wrong 2. Ignitor electrode broken 3. Ignitor electrode not connected to ignitor cable 4. Ignitor cable pinched or wet 5. Broken ignitor cable 6. Bad ignitor 7. Piezo ignitor nut is loose 	<ol style="list-style-type: none"> 1. Replace pilot assembly 2. Replace pilot assembly 3. Reconnect ignitor cable 4. Free ignitor cable if pinched by any metal or tubing. Keep ignitor cable dry 5. Replace ignitor cable 6. Replace ignitor 7. Tighten nut holding piezo ignitor. Nut is located inside heater cabinet at top
When ignitor button is pressed in, there is a spark at ODS/Pilot but no ignition	<ol style="list-style-type: none"> 1. Gas supply turned off or equipment shutoff valve closed 2. Control knob is not in pilot position 3. Control knob not fully pressed in while pressing ignitor button 4. Air in gas lines when installed 5. Depleted gas supply (propane/LP gas) 6. ODS/pilot is clogged 7. Gas regulator setting is not correct 	<ol style="list-style-type: none"> 1. Turn on gas supply or open equipment shutoff valve 2. Turn control knob to pilot position 3. Turn to PILOT/IGN position. Fully press in control knob while pressing ignitor button 4. Continue holding down control knob. Repeat igniting operation until air is removed 5. Contact local propane/LP gas company 6. Clean ODS/pilot (see <i>Cleaning</i>, page 16) or replace ODS/pilot assembly 7. Replace gas regulator
Moisture/condensation noticed on windows	<ol style="list-style-type: none"> 1. Not enough combustion/ventilation air 	<ol style="list-style-type: none"> 1. Refer to <i>Air for Combustion and Ventilation</i> requirements (page 5)

TROUBLESHOOTING

Continued

OBSERVED PROBLEM	POSSIBLE CAUSE	REMEDY
ODS/pilot lights but flame goes out when control knob is released	<ol style="list-style-type: none">1. Control knob not fully pressed in2. Control knob not pressed in long enough3. Equipment shutoff valve not fully open4. Thermocouple connection loose at control valve5. Pilot flame not touching thermocouple, which allows thermocouple to cool, causing pilot flame to go out. This problem could be caused by one or both of the following: A) Low gas pressure B) Dirty or partially clogged ODS/pilot6. Thermocouple damaged7. Control valve damaged	<ol style="list-style-type: none">1. Press in control knob fully2. After ODS/pilot lights, keep control knob pressed in 30 seconds3. Fully open equipment shut-off valve4. Hand tighten until snug, then tighten 1/4 turn more5. A) Contact local natural or propane/LP gas company B) Clean ODS/pilot (see <i>Cleaning</i>, page 16) or replace ODS/pilot assembly6. Replace pilot assembly7. Replace control valve
Burner(s) does not light after ODS/pilot is lit	<ol style="list-style-type: none">1. Burner orifice(s) is clogged2. Inlet gas pressure is too low	<ol style="list-style-type: none">1. Clean burner orifice(s) (see <i>Cleaning</i>, page 16) or replace burner orifice(s)2. Contact local natural or propane/LP gas company
Delayed ignition of burner(s)	<ol style="list-style-type: none">1. Manifold pressure is too low2. Burner orifice(s) is clogged	<ol style="list-style-type: none">1. Contact local natural or propane/LP gas company2. Clean burner orifice(s) (see <i>Cleaning</i>, page 16) or replace burner orifice(s)
Burner backfiring during combustion	<ol style="list-style-type: none">1. Burner orifice(s) is clogged or damaged2. Burner damaged3. Gas regulator defective	<ol style="list-style-type: none">1. Clean burner orifice(s) (see <i>Cleaning</i>, page 16) or replace burner orifice(s)2. Replace burner3. Replace gas regulator
Burner plaque(s) does not glow	<ol style="list-style-type: none">1. Plaque damaged2. Inlet gas pressure is too low3. Control knob set between locked positions	<ol style="list-style-type: none">1. Replace burner2. Contact local natural or propane/LP gas company3. Turn control knob until it locks at desired setting
Slight smoke or odor during initial operation	<ol style="list-style-type: none">1. Residues from manufacturing processes	<ol style="list-style-type: none">1. Problem will stop after a few hours of operation
Heater produces a clicking/ticking noise just after burner is lit or shut off	<ol style="list-style-type: none">1. Metal expanding while heating or contracting while cooling	<ol style="list-style-type: none">1. This is normal with most heaters. If noise is excessive, contact qualified service person

TROUBLESHOOTING

Continued



WARNING: If you smell gas

- Shut off gas supply.
- Do not try to light any appliance.
- Do not touch any electrical switch; do not use any phone in your building.
- Immediately call your gas supplier from a neighbor's phone. Follow the gas supplier's instructions.
- If you cannot reach your gas supplier, call the fire department.

IMPORTANT: Operating heater where impurities in air exist may create odors. Cleaning supplies, paint, paint remover, cigarette smoke, cements and glues, new carpet or textiles, etc., create fumes. These fumes may mix with combustion air and create odors.

OBSERVED PROBLEM	POSSIBLE CAUSE	REMEDY
White powder residue forming within burner box or on adjacent walls or furniture	<ol style="list-style-type: none"> 1. When heated, vapors from furniture polish, wax, carpet cleaner, etc., may turn into white powder residue 	<ol style="list-style-type: none"> 1. Turn heater off when using furniture polish, wax, carpet cleaners or similar products
Heater shuts off in use (ODS operates)	<ol style="list-style-type: none"> 1. Not enough fresh air is available 2. Low line pressure 3. ODS/pilot is partially clogged 	<ol style="list-style-type: none"> 1. Open window and/or door for ventilation 2. Contact local natural or propane/LP gas company 3. Clean ODS/pilot (see <i>Cleaning</i>, page 16)
Heater produces unwanted odors	<ol style="list-style-type: none"> 1. Heater burning vapors from paint, hair spray, glues, etc. See <i>IMPORTANT</i> statement above 2. Low fuel supply (propane/LP gas only) 3. Gas leak. See Warning statement at top of page 	<ol style="list-style-type: none"> 1. Ventilate room. Stop using odor causing products while heater is running 2. Refill supply tank 3. Locate and correct all leaks (see <i>Checking Gas Connections</i>, page 12)
Gas odor even when control knob is in OFF position	<ol style="list-style-type: none"> 1. Gas leak. See Warning statement at top of page 2. Control valve defective 	<ol style="list-style-type: none"> 1. Locate and correct all leaks (see <i>Checking Gas Connections</i>, page 12) 2. Replace control valve
Gas odor during combustion	<ol style="list-style-type: none"> 1. Foreign matter between control valve and burner 2. Gas leak. See Warning statement at top of page 	<ol style="list-style-type: none"> 1. Take apart gas tubing and remove foreign matter 2. Locate and correct all leaks (see <i>Checking Gas Connections</i>, page 12)
Heater produces a whistling noise when burner is lit	<ol style="list-style-type: none"> 1. Air in gas line 2. Air passageways on heater blocked 3. Dirty or partially clogged burner orifice 	<ol style="list-style-type: none"> 1. Operate burner until air is removed from line. Have gas line checked by local natural or propane/LP gas company 2. Observe minimum installation clearances (see Figure 4, page 8) 3. Clean burner (see <i>Cleaning</i>, page 16) or replace burner orifice

SPECIFICATIONS

LCR18NT, HDR18NT

- Natural Gas
- 18,000 Btu/hr
- Piezo Ignition
- Pressure Regulator Setting: 6" W.C.
- Inlet Gas Pressure* (in. of water):
Maximum - 10.5" W.C., Minimum - 7" W.C.
- Average Heater Weight: 22 lb (10 kg)
- Average Shipping Weight: 25.5 lb (11.6 kg)

LCR30NT, HDR30NT

- Natural Gas
- 30,000 Btu/hr
- Piezo Ignition
- Pressure Regulator Setting: 6" W.C.
- Inlet Gas Pressure* (in. of water):
Maximum - 10.5" W.C., Minimum - 7" W.C.
- Average Heater Weight: 29 lb (13.2 kg)
- Average Shipping Weight: 33 lb (15 kg)

LCR16PT, HDR16PT

- Propane/LP Gas
- 16,000 Btu/hr
- Piezo Ignition
- Pressure Regulator Setting: 8" W.C.
- Inlet Gas Pressure* (in. of water):
Maximum - 14" W.C., Minimum - 11" W.C.
- Average Heater Weight: 22 lb (10 kg)
- Average Shipping Weight: 25.5 lb (11.6 kg)

LCR26PT, HDR26PT

- Propane/LP Gas
- 26,000 Btu/hr
- Piezo Ignition
- Pressure Regulator Setting: 8" W.C.
- Inlet Gas Pressure* (in. of water):
Maximum - 14" W.C., Minimum - 11" W.C.
- Average Heater Weight: 29 lb (13.2 kg)
- Average Shipping Weight: 33 lb (15 kg)

Note: Dimensions listed are outer most points on the heater (includes control knobs and grill).

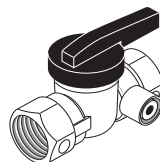
* For purposes of input adjustment.

ACCESSORIES

Purchase these heater accessories from your local dealer. If they can not supply these accessories, either contact your nearest Parts Central (see page 25) or call DESA Heating Products at 1-866-672-6040 for referral information. You can also write to the address listed on the back page of this manual.

ELECTRONIC IGNITOR KIT - GA435 Not Shown

For all piezo ignitor models. Provides easier lighting of the pilot.



EQUIPMENT SHUTOFF VALVE GA5010

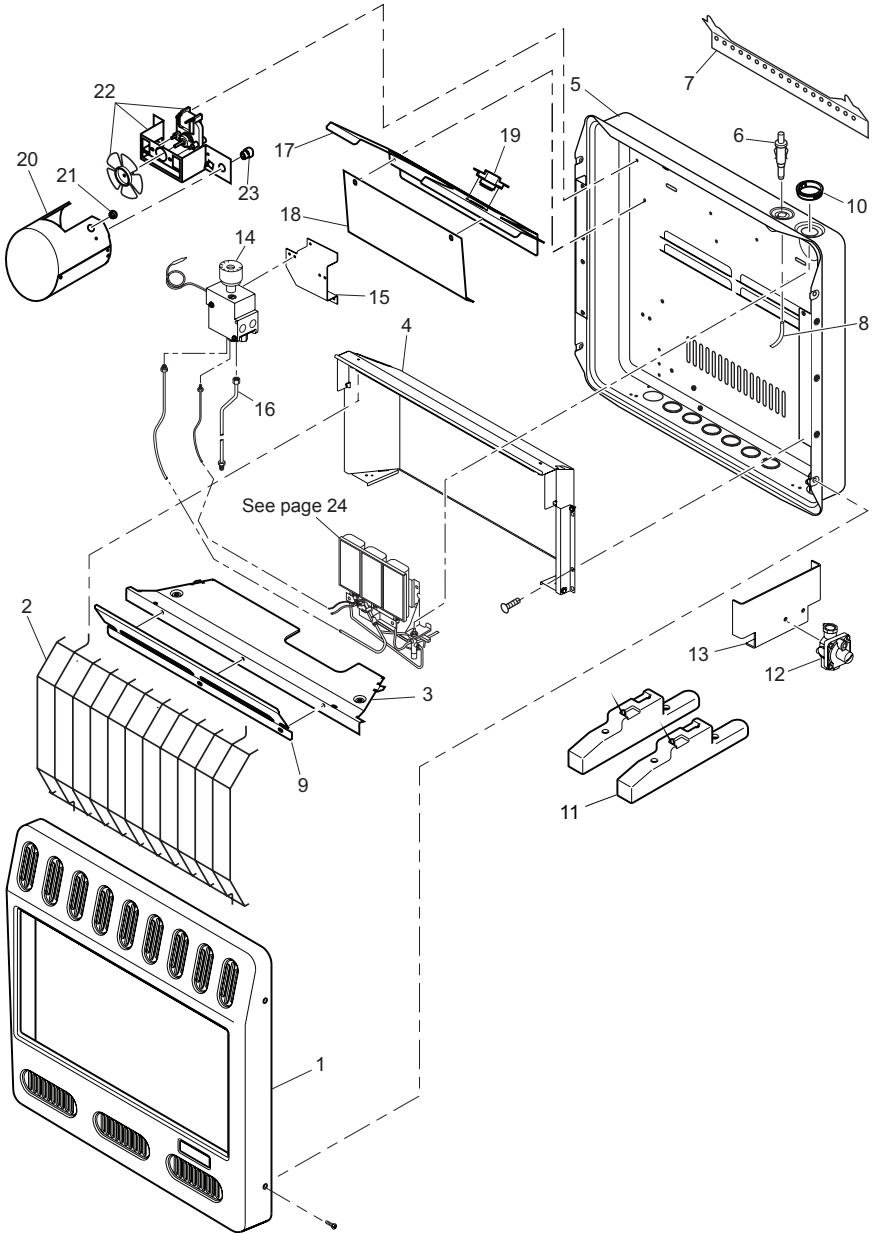
For all models. Equipment shutoff valve with 1/8" NPT tap.

PARTS

CABINET BODY MODELS

LCR16PT, LCR18NT, LCR26PT, LCR30NT

HDR16PT, HDR18NT, HDR26PT, HDR30NT



PARTS

This list contains replaceable parts used in your heater. When ordering parts, follow the instructions listed under Replacement Parts on page 25 of this manual.

KEY			LCR16PT	HDR16PT	LCR18NT	HDR18NT	LCR26PT	HDR26PT	LCR30NT	HDR30NT	QTY
NO.	PART NO.	DESCRIPTION									
1	107673-01	Front Panel		*		*					1
	107673-03	Front Panel	*		*						1
	107676-01	Front Panel					*		*		1
	107676-05	Front Panel				*		*			1
2	103476-01	Grill Guard	*	*	*	*					1
	103476-02	Grill Guard				*	*	*	*		1
3	**	Apron	*	*	*	*	*	*	*	*	1
4	107894-12	Reflector Assembly	*	*	*	*					1
	107894-13	Reflector Assembly				*	*	*	*		1
5	**	Cabinet Back Panel	*	*	*	*	*	*	*	*	1
6	097159-04	Piezo Ignitor	*	*	*	*	*	*	*	*	1
7	099066-02	Mounting Bracket	*	*	*	*	*	*	*	*	1
8	098271-09	Ignitor Cable	*	*	*	*	*	*	*	*	1
9	107896-01	Heat Shield	*	*	*	*					1
	107896-02	Heat Shield				*	*	*	*		1
10	111421-01	Snap Bushing	*	*	*	*	*	*	*	*	1
11	120378-01	Base Feet	*	*	*	*	*	*	*	*	2
12	099415-18	Gas Regulator Propane/LP Gas	*	*	*	*	*	*	*	*	1
	099415-19	Gas Regulator Natural Gas			*	*		*	*	*	1
13	104819-02	Regulator Bracket	*	*	*	*	*	*	*	*	1
14	098522-24	Thermostat Gas Valve	*	*	*	*	*	*	*	*	1
15	102394-02	Thermostat Valve Mounting Bracket	*	*	*	*	*	*	*	*	1
16	103256-02	Inlet Tube	*	*	*	*	*	*	*	*	1
17	118721-02	Upper Baffle				*	*	*	*	*	1
	118721-01	Upper Baffle	*	*	*	*					1
18	119099-01	Lower Baffle	*	*	*	*	*	*	*	*	1
19	119664-01	Thermal Limit Switch	*	*	*	*	*	*	*	*	1
20	118661-01	Housing Duct	*	*	*	*	*	*	*	*	1
21	099038-01	Strain Relief Bushing	*	*	*	*	*	*	*	*	1
22	PP100	Fan Kit	*	*	*	*	*	*	*	*	1
23	101547-01	Snap Bushing	*	*	*	*	*	*	*	*	1
PARTS AVAILABLE - NOT SHOWN											
	100642-03	Hardware Assembly	*	*	*	*	*	*	*	*	1
	105345-01	Cable Tie	*	*	*	*	*	*	*	*	1
	109121-01	Pilot Shield	*	*	*	*	*	*	*	*	1

** Not a field replaceable part.

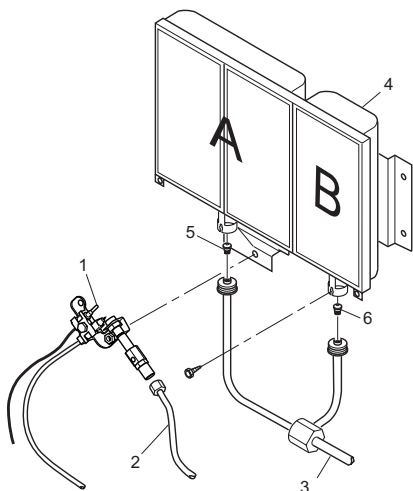
PARTS

BURNER ASSEMBLY MODELS

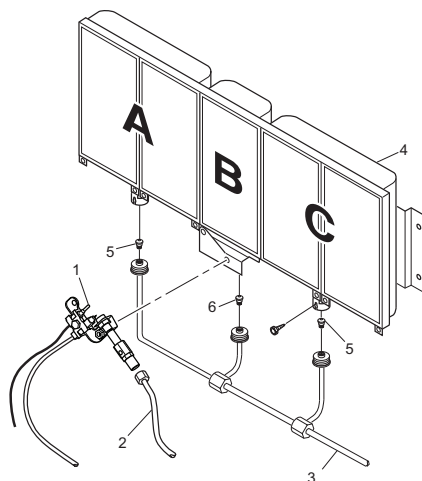
LCR16PT, LCR18NT, LCR26PT, LCR30NT

HDR16PT, HDR18NT, HDR26PT, HDR30NT

This list contains replaceable parts used in your heater. When ordering parts, follow the instructions listed under Replacement Parts on page 25 of this manual.



Burner Assembly
LCR16PT, LCR18NT, HDR16PT and
HDR18NT



Burner Assembly
LCR26PT, LCR30NT, HDR26PT and
HDR30NT

KEY

NO.	PART NO.	DESCRIPTION	(LC,HD)R16PT	(LC,HD)R18NT	(LC,HD)R26PT	(LC,HD)R30NT	QTY.
1	120630-02	ODS/Pilot LP	•	•	•	•	1
	120630-03	ODS/Pilot NG	•	•	•	•	1
1-1	120791-01	Ignitor Electrode	•	•	•	•	1
1-2	120790-01	Thermocouple	•	•	•	•	1
2	099387-03	Pilot Tubing	•	•	•	•	1
	099387-11	Pilot Tubing	•	•	•	•	1
3	104818-03	Outlet Tubing - Valve to Burner	•	•	•	•	1
	104818-04	Outlet Tubing - Valve to Burner	•	•	•	•	1
4	099218-08	Burner	•	•	•	•	1
	099218-09	Burner	•	•	•	•	1
5	099056-24	Injector - Plaque A or C	•	•	•	•	1-2
	099056-25	Injector - Plaque A or C	•	•	•	•	1-2
6	099056-01	Injector - Plaque B	•	•	•	•	1
	099056-02	Injector - Plaque B	•	•	•	•	1

REPLACEMENT PARTS

Note: Use only original replacement parts. This will protect your warranty coverage for parts replaced under warranty.

PARTS UNDER WARRANTY

Contact authorized dealers of this product. If they can't supply original replacement part(s), call DESA Heating Products' Technical Service Department at 1-866-672-6040.

When calling DESA Heating Products, have ready

- your name
- your address
- model and serial numbers of your heater
- how heater was malfunctioning
- type of gas used (propane/LP or natural gas)
- purchase date

Usually, we will ask you to return the part to the factory.

PARTS NOT UNDER WARRANTY

Contact authorized dealers of this product. If they can't supply original replacement part(s), either contact your nearest Parts Central or call DESA Heating Products at 1-866-672-6040 for referral information.

When calling DESA Heating Products, have ready

- model number of your heater
- the replacement part number

SERVICE PUBLICATIONS

You can purchase a service manual from the address listed on the back page of this manual. Send a check for \$5.00 payable to DESA Heating Products.

PARTS CENTRAL

These Parts Centrals are privately owned businesses. They have agreed to support our customer's needs by providing original replacement parts and accessories.

Those Heater Guys

255 E. Stowell Street
Upland, CA 91786
909-982-3011

Tool & Equipment Co.

5 Manila Ave
Hamden, CT 06514
1-800-397-7553
203-248-7553

Portable Heater Parts

342 N. County Rd. 400 East
Valparaiso, IN 46383
219-462-7441
1-888-619-7060
www.portableheaterparts.com
sales@portableheaterparts.com
techservice@portableheaterparts.com

FBD

1349 Adams Street
Bowling Green, KY 42103
270-846-1199
1-800-654-8534
Fax: 1-800-846-0090
franktalk@aol.com

Master Parts Dist.

1251 Mound Ave. NW
Grand Rapids, MI 49504
616-791-0505
1-800-446-1446
www.nbmc.com

Washer Equipment Co.

1715 Main Street
Kansas City, MO 64108
KS, MO, AR
816-842-3911
www.washerparts.com

East Coast Energy

10 East Route 36
W. Long Branch, NJ 07764
732-870-8809
1-800-755-8809
www.njplaza.com/ecep

21st Century

2950 Fretz Valley
Perkasie, PA 18944
215-795-0400
800-325-4828

Laporte's Parts & Service

2444 N. 5th Street
Hartsville, SC 29550
843-332-0191
Parts Department

Cans Unlimited

P.O. Box 645
Taylor, SC 29687
803-879-3009
1-800-845-5301
cuisales@aol.com

WARRANTY

KEEP THIS WARRANTY

Model _____

Serial No. _____

Date of Purchase _____

Always specify model and serial numbers when communicating with the factory.

The only warranty applicable is our standard written warranty. We make no other warranty, expressed or implied.

LIMITED WARRANTIES FOR NEW AND FACTORY RECONDITIONED PRODUCTS

New Products: DESA Heating, LLC warrants this heater and any parts thereof, to be free of defects in materials and workmanship for two (2) years from the date of first purchase, when operated and maintained in accordance with the manufacturer's instructions. These warranties are extended only to the original retail purchaser, when proof of purchase is provided.

Factory Reconditioned Heaters: DESA Heating, LLC warrants this factory reconditioned heater and any parts thereof, to be free of defects in materials and workmanship for thirty (30) days from the date of first purchase, when operated and maintained in accordance with the manufacturer's instructions. These warranties are extended only to the original retail purchaser, when proof of purchase is provided.

This warranty is extended only to the original retail purchaser. This warranty covers the cost of part(s) required to restore this heater to proper operating condition and an allowance for labor when provided by a DESA Heating, LLC Authorized Service Center. Warranty part(s) MUST be obtained through authorized dealers of this product and/or DESA Heating, LLC who will provide original factory replacement parts. Failure to use original factory replacement parts voids this warranty. The heater MUST be installed by a qualified installer in accordance with all local codes and instructions furnished with the unit.

This warranty does not apply to parts that are not in original condition because of normal wear and tear or parts that fail or become damaged as a result of misuse, accidents, lack of proper maintenance or defects caused by improper installation. Travel, diagnostic cost, labor, transportation and any and all such other costs related to repairing a defective heater will be the responsibility of the owner.

TO THE FULL EXTENT ALLOWED BY THE LAW OF THE JURISDICTION THAT GOVERNS THE SALE OF THE PRODUCT; THIS EXPRESS WARRANTY EXCLUDES ANY AND ALL OTHER EXPRESSED WARRANTIES AND LIMITS THE DURATION OF ANY AND ALL IMPLIED WARRANTIES, INCLUDING WARRANTIES OF MERCHANTABILITY AND FITNESS FOR A PARTICULAR PURPOSE TO TWO (2) YEARS ON ALL COMPONENTS FROM THE DATE OF FIRST PURCHASE; AND DESA HEATING, LLC'S LIABILITY IS HEREBY LIMITED TO THE PURCHASE PRICE OF THE PRODUCT AND DESA HEATING, LLC'S SHALL NOT BE LIABLE FOR ANY OTHER DAMAGES WHATSOEVER INCLUDING INDIRECT, INCIDENTAL OR CONSEQUENTIAL DAMAGES.

Some states do not allow a limitation on how long an implied warranty lasts or an exclusion or limitation of incidental or consequential damages, so the above limitation on implied warranties or exclusion or limitation on damages may not apply to you.

This warranty gives you specific legal rights and you may also have other rights that vary from state to state.

For information about this warranty write:



DESA Heating, LLC
2701 Industrial Drive
P.O. Box 90004
Bowling Green, KY 42102-9004
www.desatech.com
1-866-672-6040

DESA™

HEATING PRODUCTS

CALENTADOR DE GAS INFRARROJO NO VENTILADO (SIN VENTILAS)

INFORMACIÓN DE SEGURIDAD Y MANUAL DE INSTALACIÓN



We recommend that our products be installed and serviced by professionals who are certified in the U.S. by NFI (National Fireplace Institute).

www.nficertified.org

MODELOS

LCR16PT, LCR18NT, LCR26PT, LCR30NT
HDR16PT, HDR18NT, HDR26PT, HDR30NT

⚠ ADVERTENCIA: si la información contenida en este manual no se sigue al pie de la letra, se puede producir un incendio o una explosión que podría ocasionar daños a la propiedad, lesiones personales o la pérdida de la vida.

- No guarde ni utilice gasolina u otros vapores y líquidos inflamables cerca de este aparato ni de cualquier otro.
- **QUÉ HACER SI PERCIBE OLOR A GAS**
 - No intente encender ningún aparato.
 - No toque ningún interruptor eléctrico; no use ningún teléfono en el edificio.
 - Llame inmediatamente a su proveedor de gas desde el teléfono de algún vecino. Siga las instrucciones del proveedor de gas.
 - Si no puede localizar al proveedor de gas, llame al departamento de bomberos.
- La instalación y el servicio deben ser realizados por un instalador capacitado, una agencia de servicio o el proveedor de gas.

INSTALADOR: Deje este manual con el aparato.

CONSUMIDOR: Conserve este manual para referencias futuras.

Para obtener más información visite www.desatech.com

TABLA DE CONTENIDO

Seguridad	2	Solución de problemas	21
Códigos locales	4	Especificaciones	25
Desempaque	4	Accesorios	25
Identificación del producto	4	Consejos para servicio	25
Características del producto	5	Servicio técnico	25
Aire para combustión y ventilación	5	Piezas	26
Instalación	8	Piezas de repuesto	29
Funcionamiento	16	Publicaciones de servicio	29
Inspección del calentador	19	Central de piezas	29
Limpieza	20	Garantía	Contraportada

SEGURIDAD

⚠ ADVERTENCIA: la instalación, ajuste, alteración, servicio o mantenimiento inadecuados pueden provocar lesiones o daños a la propiedad. Consulte este manual para conocer los procedimientos de instalación y operación correctos. Para obtener asistencia o información adicionales consulte a un instalador capacitado, agencia de servicio o al proveedor de gas.

⚠ ADVERTENCIA: este es un calentador de llama de gas sin ventilación. Utiliza aire (oxígeno) de la habitación en la que se instala. Se deben tomar las medidas necesarias para asegurar que haya suficiente aire para ventilación y combustión. Consulte la sección Aire para combustión y ventilación, en la página 5 de este manual.

Este aparato está diseñado para usarse únicamente con el tipo de gas indicado en la placa de clasificación. Este aparato no se puede convertir para que utilice otro tipo de gas.

Este aparato puede ser instalado en una casa móvil con ubicación permanente y adquirida en el mercado de posventa*, siempre que no esté prohibido por los códigos locales.

* Mercado de posventa: venta completada por parte del fabricante, sin fines de reventa

⚠ ADVERTENCIA: este producto contiene y/o genera químicos reconocidos por el estado de California como causantes de cáncer, defectos de nacimiento u otros daños reproductivos.

IMPORTANTE: lea este manual del propietario cuidadosa y completamente antes de intentar ensamblar, operar o dar servicio a este calentador. El uso inadecuado de este calentador puede causar lesiones graves o la muerte por quemaduras, incendio, explosión, electrocución e intoxicación con monóxido de carbono.

SEGURIDAD

Continuación



PELIGRO: ¡la intoxicación con monóxido de carbono puede resultar en la muerte!

Intoxicación con monóxido de carbono: los síntomas iniciales de la intoxicación con monóxido de carbono son semejantes a los de la gripe, con dolores de cabeza, mareos y/o náusea. Si usted presenta estos síntomas, es posible que el calentador no esté funcionando correctamente. **¡Respire aire fresco inmediatamente!** Haga que le den servicio al calentador. El monóxido de carbono afecta más a algunas personas que a otras. Las más afectadas incluyen mujeres embarazadas, personas con enfermedades del corazón o de los pulmones o anemia, aquellas bajo la influencia del alcohol y aquellas a grandes altitudes.

Gas natural y propano o gas LP: los gases natural y propano o gas LP son gases inodoros. A estos gases se les agrega un agente con olor. El olor le ayuda a detectar las fugas de gas. Sin embargo, el olor que se añade al gas puede desvanecerse. Es posible que haya gas presente aunque no haya ningún olor. Asegúrese de leer y comprender todas las advertencias. Conserve este manual como referencia. Es su guía para la operación segura y correcta de este calentador.



ADVERTENCIA: cualquier cambio a este calentador o a los controles puede ser peligroso.



ADVERTENCIA: no utilice un aditamento ventilador o de intercambio de calor, ni ningún otro accesorio que no esté aprobado para usarse con este calentador.

Debido a las altas temperaturas, el aparato debe situarse fuera de las rutas de paso y alejado de los muebles y cortinas.

No coloque ropa ni otros materiales inflamables sobre el aparato ni cerca del mismo. Nunca coloque ningún objeto sobre el calentador.

La superficie del calentador alcanza temperaturas muy altas cuando éste está funcionando. Mantenga a los niños y a los adultos alejados de las superficies calientes para evitar quemaduras o que la ropa se queme. El calentador permanecerá caliente durante algún tiempo después de que se ha apagado. Permita que la superficie se enfríe antes de tocarla.

Supervise cuidadosamente a los niños pequeños cuando estén en la habitación en la que se encuentra el calentador.

Asegúrese que la rejilla de resguardo esté puesta antes de hacer funcionar el calentador.

Mantenga el área del aparato limpia y libre de materiales combustibles, gasolina y otros vapores y líquidos inflamables.

1. Este aparato está diseñado para usarse únicamente con el tipo de gas indicado en la placa de clasificación. Este aparato no se puede convertir para que utilice otro tipo de gas.
2. No ponga los tanques de suministro de propano o gas LP dentro de ninguna estructura. Sitúe los tanques de suministro de propano o gas LP en el exterior.
3. Este calentador no se debe instalar en un dormitorio o en un baño.
4. Si percibe olor a gas
 - Cierre el suministro de gas
 - No intente encender ningún aparato
 - No toque ningún interruptor eléctrico; no use ningún teléfono en el edificio
 - Llame inmediatamente a su proveedor de gas desde el teléfono de algún vecino. Siga las instrucciones del proveedor de gas
 - Si no puede localizar al proveedor de gas, llame al departamento de bomberos

SEGURIDAD

Continuación

5. Siempre haga funcionar el calentador con la perilla de control de la placa en las posiciones de bloqueo 1, 2, 3 o 4. Nunca ponga la perilla de control entre las posiciones de bloqueo. Se podría producir una combustión deficiente y niveles más altos de monóxido de carbono.
6. Este calentador necesita ventilación con aire fresco del exterior para funcionar correctamente. Este calentador tiene un sistema de apagado de seguridad con detección de agotamiento de oxígeno (ODS). El ODS apaga el calentador si no hay suficiente aire fresco. Consulte [Aire para combustión y ventilación](#), en la página 5.
7. Mantenga limpias y libres de residuos todas las aberturas de las partes anterior e inferior del calentador. Esto asegurará que haya suficiente aire para lograr una combustión adecuada.
8. Si el calentador se apaga, no lo vuelva a encender hasta que éste cuente con aire fresco del exterior. Si el calentador se sigue apagando, haga que lo reparen.
9. No haga funcionar el calentador
 - Donde se utilicen o almacenen líquidos o vapores inflamables
 - En condiciones con mucho polvo
10. No use el calentador si cualquiera de sus partes ha estado sumergida en agua. Llame inmediatamente a un técnico de servicio capacitado para que inspeccione el calentador y para que reemplace las piezas del sistema de control o los controles de gas que hayan estado sumergidos en agua.
11. Apague y desconecte el calentador y deje que se enfríe antes de darle servicio. Sólo una persona de servicio capacitada debe repararlo o darle servicio.
12. Si el calentador se hace funcionar a alturas superiores a 1,371 m (4,500 pies), el piloto se podría apagar.
13. Para evitar problemas de rendimiento, no use tanques de propano o gas LP de menos de 45 kg (100 lb) de capacidad.
14. Apague el calentador antes de usar pulidores de muebles, ceras, limpiadores de alfombras o productos parecidos. Si se calientan, los vapores que se desprenden de estos productos pueden producir un polvo blanco dentro de la caja del calentador o en las paredes o los muebles adyacentes.
15. Procure que se cumplan las distancias mínimas alrededor de las aberturas de aire.

CÓDIGOS LOCALES

Instale y use el calentador cuidadosamente. Siga todos los códigos locales. A falta de códigos locales, utilice la última edición del *Código Nacional del Gas Combustible, ANSI Z223.1/NFPA 54**.

*Lo puede obtener de:

American National Standards Institute, Inc.
1430 Broadway
New York, NY 10018, EE.UU.
National Fire Protection Association. Inc.
Batterymarch Park
Quincy, MA 02269, EE.UU.

Estado de Massachusetts: la instalación la debe realizar un plomero o un instalador de gas con licencia para ejercer en el Estado de Massachusetts.

Los vendedores de calentadores suplementarios de interiores a gas natural o propano no ventilados deben suministrar al comprador una copia del 527 CMR 30 al realizar la venta.

En el Estado de Massachusetts, está prohibido instalar aparatos de gas sin ventilación en dormitorios y baños.

DESEMPAQUE

1. Saque el calentador de la caja.
2. Retire todo el empaque de protección que se agregó al calentador para su envío.
3. Revise el calentador para ver si hay algún daño debido al transporte. Si el calentador está dañado, devuélvalo de inmediato al distribuidor a quien se lo compró.

IDENTIFICACIÓN DEL PRODUCTO

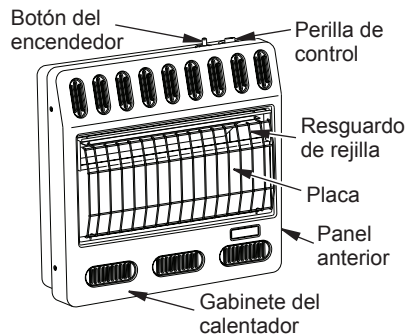


Figura 1 - Calentador de gas sin ventilación

CARACTERÍSTICAS DEL PRODUCTO

DISPOSITIVO DE SEGURIDAD

Este calentador tiene piloto con un sistema de apagado de seguridad con Sensor de agotamiento de oxígeno (ODS). El piloto con ODS es una característica necesaria de los calentadores sin ventilación para habitaciones. El piloto con ODS apaga el calentador cuando no hay suficiente aire fresco.

SISTEMA DE ENCENDIDO PIEZOELÉCTRICO

Este calentador tiene un encendido piezoeléctrico. Este sistema no necesita fósforos, baterías ni otros medios para encender el calentador.

CONTROL DE CALOR CON TERMOSTATO

Los modelos con termostato tienen un bulbo sensor del termostato y una válvula de control. Esto ofrece gran comodidad al usar el calentador. También puede producir menores gastos por concepto de gas.

AIRE PARA COMBUSTIÓN Y VENTILACIÓN



ADVERTENCIA: este calentador no debe instalarse en un espacio confinado ni en una construcción inusualmente sellada, a menos que se hayan tomado las medidas necesarias para proporcionar el aire adecuado para la combustión y la ventilación. Lea las instrucciones siguientes para asegurarse de que su hogar cuente con la cantidad adecuada de aire fresco para éste y otros aparatos que queman combustible.

Hoy, más que nunca, las casas están diseñadas para ser más eficientes en el ahorro de energía. Los nuevos materiales, un mejor aislamiento y los nuevos métodos de construcción ayudan a reducir la pérdida de calor en las casas. Los propietarios de las casas aplican sellador alrededor de las ventanas y puertas para mantener el aire frío afuera y el caliente adentro. Durante la temporada de calor, los propietarios de las casas desean que sus hogares estén tan herméticos como sea posible

Aunque es bueno hacer que su casa sea eficiente en cuanto al ahorro de energía, ésta también necesita ventilación. Es necesario

que entre aire fresco a su casa. Todos los aparatos que queman combustible necesitan aire fresco para que su combustión y su ventilación sean adecuadas.

Los ventiladores de expulsión de aire, las chimeneas, las secadoras de ropa y los aparatos que queman combustible toman aire de la casa durante su funcionamiento. Usted debe proporcionar la cantidad adecuada de aire fresco para estos aparatos. Esto asegurará que la ventilación para los aparatos que queman combustible sea la adecuada.

CÓMO PROCURAR LA VENTILACIÓN ADECUADA

Los siguientes son extractos del *Código nacional de gas combustible, ANSI Z223.1/NFPA 54, sección 5.3, Aire para combustión y ventilación.*

Todos los espacios en las casas se pueden clasificar en una de las tres categorías de ventilación siguientes:

1. Construcción inusualmente sellada
2. Espacio no confinado
3. Espacio confinado

La información de las páginas 5 a la 7 le ayudará a clasificar su espacio y a proporcionar la ventilación adecuada.

Construcción inusualmente sellada

El aire que se filtra por los bordes de las puertas y ventanas puede proporcionar suficiente aire fresco para la combustión y la ventilación. Sin embargo, en los edificios que tienen una construcción inusualmente sellada, tiene que proporcionar aire fresco adicional.

Una construcción inusualmente sellada se define como aquella en la que:

- a. las paredes y los techos que están expuestos a la atmósfera exterior tienen un retardante continuo de vapor de agua con una clasificación de un perm (6×10^{-11} kg por pa-seg-m²) o menos, con aberturas selladas o con juntas y
- b. se han instalado burletes en las ventanas y puertas que se pueden abrir y
- c. se ha puesto sellador en áreas tales como uniones alrededor de los marcos de puertas y ventanas, entre las placas base y el piso, entre las uniones de la pared y el techo, entre los paneles de las paredes, en las perforaciones para tubería de agua, líneas eléctricas y de gas y en otras aberturas.

Si su casa cumple con estos tres criterios, deberá proporcionar aire fresco adicional. Consulte *Aire del exterior para ventilación*, página 7.

Si su casa no cumple con los tres criterios anteriores, vaya a *Determinación del flujo de aire fresco para la ubicar el calentador*, en la página 6.

AIRE PARA COMBUSTIÓN Y VENTILACIÓN

Continuación

Espacio confinado y no confinado

El Código nacional de gas combustible, ANSI Z223.1/NFPA 54 define el espacio confinado como aquel cuyo volumen es menor de 4.8 m³ por kW (50 pies cúbicos por cada 1,000 BTU/h) de clasificación de entrada agregada de todos los aparatos instalados en ese espacio y define el espacio no confinado como aquel cuyo volumen no es menor de 4.8 m³ por kW (50 pies cúbicos por 1,000 BTU/h) de clasificación de entrada agregada de todos los aparatos instalados en ese espacio. Las habitaciones que se comunican directamente con el espacio en el que los aparatos están instalados*, mediante aberturas que no tengan puertas, se consideran parte del espacio no confinado.

* Se considera que las habitaciones adyacentes están comunicadas sólo si hay accesos sin puertas o si hay rejillas de ventilación entre ellas.

DETERMINACIÓN DEL FLUJO DE AIRE FRESCO PARA UBICAR EL CALENTADOR

Cómo determinar si tiene un espacio confinado o no confinado

Utilice esta hoja de trabajo para determinar si tiene un espacio confinado o no confinado.

Espacio: incluye la habitación en la que se va a instalar el calentador más todas las habitaciones adyacentes que tengan accesos sin puerta o rejillas de ventilación entre ellas.

1. Determine el volumen del espacio (largo x ancho x altura).

Largo x ancho x altura = _____ m³ (pies³) (volumen del espacio)

Ejemplo: Tamaño del espacio 6.1 m (20 pies) (largo) x 4.88 m (16 pies) (ancho) x 2.44 m (8 pies) (altura del techo) = 72.49 m³ (2560 pies³) (volumen del espacio)

Si se proporciona ventilación adicional a las habitaciones adyacentes por medio de rejillas o aberturas, agregue el volumen de éstas al volumen total del espacio.

2. Multiplique el volumen del espacio por 20 para determinar la cantidad máxima de BTU/h que el espacio puede admitir.

_____ (volumen del espacio en pies³) x 20 = (cantidad máxima de BTU/h que el espacio puede admitir)

Ejemplo: 72.49 m³ (2560 pies³) (volumen del espacio) x 20 = 51,200 (BTU/h máximo que el espacio puede admitir)

3. Agregue la cantidad de BTU/h de todos los aparatos que queman combustible en ese espacio.
- | | |
|-----------------------------------|---------------|
| Calentador sin ventilación | _____ BTU/h |
| Calentador de agua a gas* | _____ BTU/h |
| Horno de gas | _____ BTU/h |
| Calentador de gas con ventilación | _____ BTU/h |
| Chimenea de gas | _____ BTU/h |
| Otros aparatos de gas* | + _____ BTU/h |
| Total | = _____ BTU/h |

* No incluya los aparatos de gas con ventilación directa. El sistema de ventilación directa toma el aire para combustión del exterior y ventila hacia el exterior.

Ejemplo:

Calentador de agua a gas	40,000 BTU/h
Calentador sin ventilación +	20,000 BTU/h
Total	= 60,000 BTU/h

4. Compare la cantidad máxima de BTU/h que el espacio puede admitir con la cantidad real de BTU/h que se utiliza.

_____ BTU/h (cantidad máxima que el espacio puede admitir)

_____ BTU/h (cantidad real de BTU/h que se utiliza)

Ejemplo: 51,200 BTU/h (cantidad máxima que el espacio puede admitir)

60,000 BTU/h (cantidad real de BTU/h que se utiliza)

El espacio del ejemplo anterior es un espacio confinado, ya que la cantidad real de BTU/h que se utiliza es mayor que la cantidad máxima de BTU/h que el espacio puede admitir. Se tiene que proporcionar aire fresco adicional. Sus opciones son las siguientes:

- A. Vuelva a calcular la hoja de trabajo, agregando el espacio de una habitación adyacente. Si el espacio adicional genera un espacio no confinado, quite la puerta de la habitación adyacente o instale rejillas de ventilación entre las habitaciones. Consulte [Aire del interior de la construcción para ventilación](#), en la página 7.
- B. Ventile la habitación directamente desde el exterior. Consulte [Aire del exterior para ventilación](#), en la página 7.
- C. Instale un calentador de menos BTU/h si una menor cantidad de BTU/h hace la habitación sea no confinada.

Si la cantidad real de BTU/h que se utiliza es menor que la cantidad máxima que el espacio puede admitir, el espacio es no confinado. No necesitará ventilación de aire fresco adicional.

AIRE PARA COMBUSTIÓN Y VENTILACIÓN

Continuación



ADVERTENCIA: si el área en la que el calentador va a funcionar es más pequeña que la que se define como espacio no confinado, o si el edificio tiene una construcción inusualmente sellada, proporcione suficiente aire para combustión y ventilación mediante uno de los métodos descritos en el *Código nacional de gas combustible, ANSI Z223.1/NFPA 54, sección 5.3* o en los códigos locales aplicables.

AIRE PARA VENTILACIÓN

Aire del interior de la construcción para ventilación

Este aire fresco viene de un espacio adyacente no confinado. Cuando se ventila a un espacio adyacente no confinado, en la pared que conecta los dos espacios debe haber dos aberturas permanentes: una a 30.5 cm (12") del techo y otra a 30.5 cm (12") del piso, (vea las opciones 1 y 2 en la figura 2). También se puede quitar la puerta de la habitación adyacente (consulte la opción 3 en la figura 2). Consulte el *Código nacional de gas combustible, ANSI Z223.1/NFPA 54, sección*

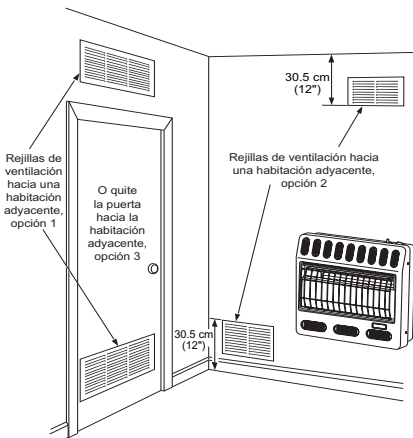


Figura 2 - Aire del interior de la construcción para ventilación

5.3, *Aire para combustión y ventilación* para conocer el tamaño requerido de las rejillas o conductos de ventilación.

Aire del exterior para ventilación

Proporcione aire fresco adicional mediante el uso de rejillas o conductos de ventilación. Debe proporcionar dos aberturas permanentes: una dentro de 30.5 cm (12") desde el techo y otra dentro de 30.5 cm (12") desde el piso. Conecte estos elementos directamente al exterior o a los espacios que estén abiertos al exterior. Estos espacios incluyen áticos y espacios debajo del piso de la casa. Consulte el *Código nacional de gas combustible, ANSI Z223.1/NFPA 54, sección 5.3, Aire para combustión y ventilación*, para conocer el tamaño requerido de las rejillas o conductos de ventilación.

IMPORTANTE: no haga aberturas de entrada y salida de aire hacia el ático si éste tiene ventilación eléctrica controlada por un termostato. El aire caliente que entre al ático activará la ventilación eléctrica.

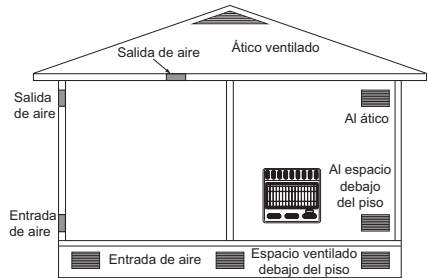


Figura 3 - Aire del exterior para ventilación

INSTALACIÓN

AVISO: este calentador está diseñado para utilizarse como calefacción adicional. Use este calentador junto con su sistema de calefacción principal. No instale este calentador como fuente de calefacción principal. Si tiene un sistema de calefacción central, puede activar el ventilador de circulación del sistema mientras utiliza el calentador. Esto ayudará a que el calor circule en toda la casa. En caso de que se produzca una interrupción de la energía eléctrica, puede usar este calentador como su fuente de calefacción principal.

⚠ ADVERTENCIA: una persona de servicio capacitada debe instalar el calentador. Siga todos los códigos locales.

VERIFIQUE EL TIPO DE GAS

Use únicamente el tipo correcto de gas (natural o propano o gas LP). Si el suministro de gas no es del tipo correcto, no instale el calentador. Llame al distribuidor a quien le compró el calentador para adquirir el tipo de calentador correcto.

⚠ ADVERTENCIA: este aparato está equipado ya sea para gas natural o para propano/gas LP, pero no para ambos. El tipo de gas se indica en la placa de clasificación. No se permite hacer conversiones en campo.

ARTÍCULOS DE INSTALACIÓN

Antes de instalar el calentador, asegúrese de tener los artículos que se indican a continuación.

- Para propano o gas LP, un regulador externo (proporcionado por el instalador),
- tubería (consulte los códigos locales),
- sellador (resistente al propano o gas LP),
- válvula de cierre del equipo *
- unión de terminal con conexión a tierra,
- trampa de sedimentos,
- unión T,
- llave para tubería,
- para gas natural, conexión para medidor de prueba*.

* Una válvula de cierre de equipo con diseño certificado por la CSA con rosca tipo NPT de 1/8 de pulgada es una alternativa aceptable como conexión para medidor de prueba. La válvula opcional de cierre de equipo con diseño certificado por la CSA la puede adquirir con su distribuidor. Consulte *Accesorios*, página 25.

UBICACIÓN DEL CALENTADOR

Este calentador está diseñado para montarse en la pared.

⚠ ADVERTENCIA: mantenga las distancias mínimas que se muestran en la figura 4. Si puede, proporcione distancias mayores respecto al piso, al techo y a las paredes adyacentes.

Puede ubicar el calentador en el piso, lejos de la pared. Se necesita un estante opcional para montaje en piso. Adquiera el estante para montaje en piso con el distribuidor. Consulte *Accesorios*, página 25.

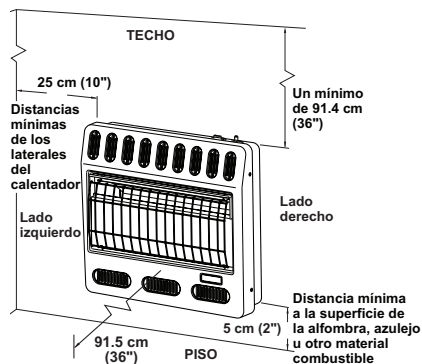


Figura 4 - Distancias mínimas de montaje vistas desde la parte anterior del calentador

INSTALACIÓN

Continuación

⚠ ADVERTENCIA: nunca instale el calentador

- en un dormitorio o baño
- en un vehículo recreativo
- donde cortinas, muebles, ropa u otros objetos inflamables estén a menos de 91.5 cm (36") de las partes anterior, superior o laterales del calentador
- como aditamento de una chimenea
- en áreas de mucho tráfico
- en áreas con mucho viento o fuertes corrientes de aire

⚠ PRECAUCIÓN: si instala el calentador en la chochera de una casa

- el piloto y el quemador del calentador deben estar por lo menos a 45.7 cm (18") sobre el piso
- sitúe el calentador donde ningún vehículo en movimiento lo pueda golpear

⚠ PRECAUCIÓN: este calentador crea corrientes de aire caliente. Estas corrientes mueven el calor hacia la superficie de las paredes próximas al calentador. La instalación del calentador cerca de recubrimientos de pared vinilo o tela y la operación del calentador en lugares donde existan impurezas en el aire (como humo de tabaco, velas aromáticas, líquidos limpiadores, lámparas de aceite o queroseno, entre otros), puede decolorar las paredes o producir olores.

IMPORTANTE: los calentadores sin ventilación añaden humedad al aire. Aunque esto es benéfico, la instalación del calentador en habitaciones sin suficiente aire de ventilación puede ocasionar la formación de moho debido al exceso de humedad. Consulte [Aire para combustión y ventilación](#), página 5. Si hay mucha humedad, se puede utilizar un deshumidificador para ayudar a reducir el vapor de agua contenido en el aire.

Para mayor comodidad y eficiencia, instale el calentador

- donde haya fácil acceso para la operación, inspección y reparación
- en la parte más fría de la habitación

Si está planeando utilizar el ventilador, sitúe el calentador cerca de un enchufe eléctrico.

BULBO SENSOR DE TERMOSTATO

El bulbo sensor de termostato se ubica en la parte inferior del calentador.

1. Coloque la abrazadera en el bulbo sensor de termostato como se muestra en la figura 5. La abrazadera se incluye en el paquete de ferretería.
2. Coloque la abrazadera en el orificio de montaje superior como se muestra en la figura 5. El orificio de montaje se localiza en el borde inferior izquierdo de la parte posterior del calentador. Asegúrese que el bulbo sensor de termostato esté apuntando hacia arriba.

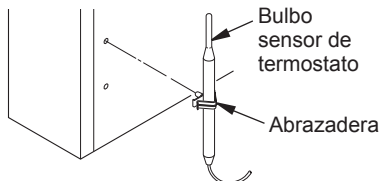


Figura 5 - Instalación del bulbo sensor de termostato

INSTALACIÓN DEL CALENTADOR EN LA PARED

Soporte de montaje

Localice el soporte de montaje en la caja del calentador. Saque el soporte de montaje de la caja del calentador.

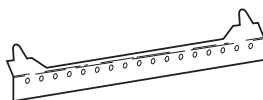


Figura 6 - Soporte de montaje

INSTALACIÓN

Continuación

Desmontaje del panel anterior del calentador

1. Quite los cuatro tornillos, dos de cada lado del panel anterior.
2. Jale la parte inferior del panel anterior hacia adelante y luego hacia afuera.
3. Retire todos los materiales de empaque restantes.

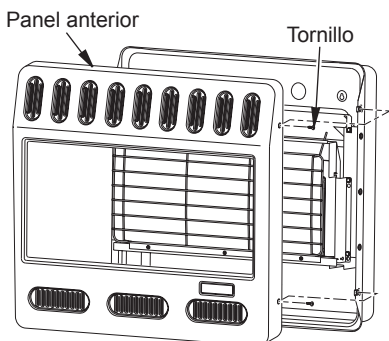


Figura 7 - Desmontaje del panel anterior del calentador

Métodos para fijar el soporte de montaje a la pared

Use únicamente el último orificio de cada extremo del soporte de montaje para fijarlo a la pared. La distancia entre estos dos orificios, desde el centro de ellos, es de 35.6 cm (14"). Fije el soporte de montaje a la pared mediante una de las dos maneras siguientes:

1. Fijación a viga de pared
2. Fijación a anclajes de pared

Fijación a viga de pared: este método proporciona la sujeción más firme. Inserte los tornillos de montaje en el soporte de montaje y en las vigas de pared.

Fijación a anclajes de pared: este método le permite fijar el soporte de montaje en paredes huecas (las áreas de la pared que se encuentran entre los maderos) o en paredes sólidas (de concreto o mampostería).

Decida cuál método se ajusta mejor a sus necesidades. Cualquiera de los dos métodos proporcionará un apoyo seguro para el soporte de montaje.

Cómo marcar las ubicaciones de los tornillos

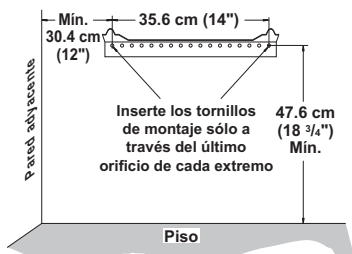
1. Fije el soporte de montaje a la pared con cinta, en el lugar donde estará situado. Asegúrese de que el soporte de montaje esté nivelado.

⚠ ADVERTENCIA: mantenga las distancias mínimas que se muestran en la figura 8. Si puede, proporcione distancias mínimas mayores con respecto al piso y la pared de unión.

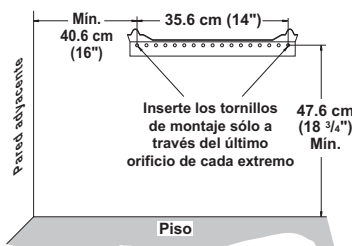
2. Marque la ubicación de los tornillos en la pared (consulte la figura 8).

Nota: marque únicamente el último orificio de cada extremo del soporte de montaje. Inserte los tornillos de montaje en estos orificios solamente.

3. Quite la cinta y el soporte de montaje de la pared.



Calentador con 3 placas



Calentador con 5 placas

Figura 8 - Distancias mínimas del soporte de montaje

Instalación del soporte de montaje a la pared

Nota: los anclajes de pared, los tornillos de montaje y los separadores se encuentran en el paquete de ferretería. El paquete de ferretería se incluye con el calentador.

INSTALACIÓN

Continuación

Método de fijación a viga de pared

Para fijar el soporte de montaje a las vigas de pared

1. Perfore orificios en los lugares marcados utilizando una broca de 9/64".
2. Coloque el soporte de montaje en la pared. Alinee el último orificio de cada extremo del soporte con los orificios que perforó en la pared.
3. Inserte los tornillos de montaje en el soporte y en las vigas de pared.
4. Apriete los tornillos hasta que el soporte de montaje esté asegurado firmemente a las vigas de pared.

Método de fijación a anclajes de pared

Para fijar el soporte de montaje en paredes huecas (el área entre las vigas) o en paredes sólidas (de concreto o mampostería)

1. Perfore orificios en los lugares marcados utilizando una broca de 5/16". Para las paredes sólidas (de concreto o mampostería), perforo a una profundidad de por lo menos 2.5 cm (1").
2. Doble el anclaje de pared como se muestra en la figura 9.
3. Inserte el anclaje de pared (las alas primero) en el orificio. Golpee suavemente el anclaje para introducirlo en la pared.
4. Para paredes delgadas, de 1.3 cm (1/2") o menos, inserte la llave roja en el anclaje de pared. Empuje la llave roja para que abra las alas de anclaje. **IMPORTANTE:** ¡no golpee la llave con un martillo! Para paredes gruesas, de más de 1.3 cm (1/2") de ancho, o paredes sólidas, no abra las alas.
5. Coloque el soporte de montaje en la pared. Alinee el último orificio de cada extremo del soporte con los anclajes de pared.
6. Inserte los tornillos de montaje en el soporte y en los anclajes de pared.
7. Apriete los tornillos hasta que el soporte de montaje esté asegurado firmemente a la pared.



Figura 9 - Cómo doblar el anclaje

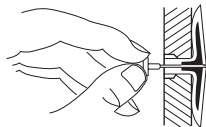


Figura 10 - Cómo abrir las alas del anclaje para paredes delgadas

Colocación del calentador en el soporte de montaje

1. Localice las dos ranuras horizontales en el panel posterior del calentador.
2. Coloque el calentador en el soporte de montaje. Deslice las ranuras horizontales hacia las lengüetas salientes del soporte de montaje.

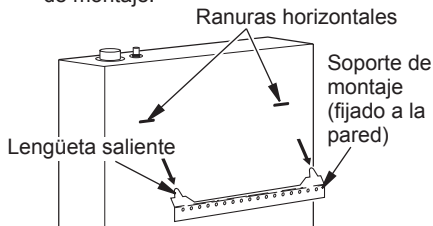


Figura 11 - Montaje del calentador en el soporte de montaje

Instalación de los tornillos de montaje inferiores

1. Localice los dos orificios de montaje inferiores. Estos orificios se encuentran cerca de la parte inferior del panel posterior del calentador (consulte la figura 12).
 2. Marque la ubicación de los tornillos en la pared.
 3. Quite el calentador del soporte de montaje.
 4. Si va a instalar los tornillos de montaje inferiores en una pared hueca o sólida, instale los anclajes de pared. Siga los pasos 1 a 4 en Método de fijación a anclajes de pared.
- Si va a instalar el tornillo inferior de montaje en la viga de pared, perfore orificios en los lugares marcados, con una broca de 9/64".
5. Vuelva a colocar el calentador en el soporte de montaje.

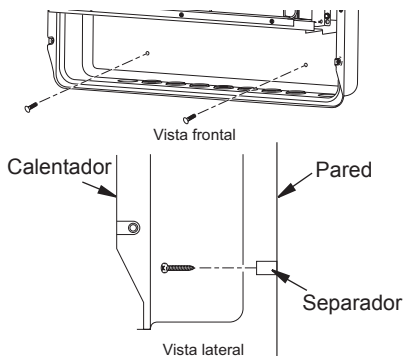


Figura 12 - Instalación de los tornillos de montaje inferiores

INSTALACIÓN

Continuación

6. Coloque los separadores entre los orificios de montaje inferiores y el anclaje de pared o el orificio que perforó.
7. Sostenga el separador en su sitio con una mano. Con la otra mano, inserte el tornillo de montaje a través del orificio inferior de montaje y del separador. Coloque la punta del tornillo en la abertura del anclaje de pared o del orificio que perforó.
8. Apriete los tornillos hasta que el calentador esté asegurado firmemente a la pared. No los apriete demasiado.

Nota: no vuelva a colocar el panel anterior en este momento. Coloque el panel anterior después de hacer las conexiones de gas y de revisar si hay fugas (consulte la página 13).

MONTAJE DEL CALENTADOR EN EL PISO CON UN EQUIPO PARA PISO OPCIONAL

Montaje de las patas de la base en el calentador

Nota: se requiere una conexión de codo de 90° para el montaje de esta unidad y se debe instalar ANTES que las patas de la base para cumplir con las distancias mínimas (consulte la figura 15, página 13).

1. Coloque el gabinete del calentador en una mesa sobre su parte posterior, de manera que la parte inferior del calentador sobresalga del borde de la mesa.
2. Aplique ligeramente sellador para tuberías en la rosca NPT macho del codo. Sostenga el regulador de presión con una llave para tuberías cuando conecte el codo. No apriete demasiado el codo al regulador. El cuerpo del regulador se puede dañar.

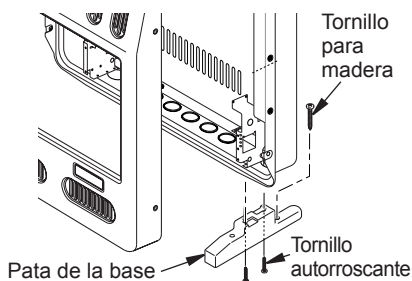


Figura 13 - Instalación de las patas de la base (el calentador puede ser distinto del que aparece en la ilustración)

3. Alinee los orificios en la pata de la base con los orificios de montaje en la parte inferior del gabinete (consulte la figura 13).
4. Asegure la pata de la base al calentador con los tornillos autorroscantes.
5. Repita la operación en el otro extremo.

Montaje de las patas de la base en el piso

1. Quite el panel anterior (consulte la sección Desmontaje del panel anterior del calentador, en la página 10).
2. Coloque el calentador con las patas de la base en la ubicación deseada. Marque los orificios que va perforar. Retire el calentador con la base.
3. En el caso de pisos alfombrados, haga un pequeño corte con una navaja filosa en las ubicaciones que marcó, antes de hacer las perforaciones. Si va a montar la base en un piso de madera, perforo un orificio de 31 mm (1/8") de diámetro y 2 cm (3/4") de profundidad. (No utilice anclajes en pisos de madera).

Si va a instalar la base en piso de concreto, perforo 3.5 cm (13/8") de profundidad en el piso con una broca para concreto de 1/4" de diámetro. Inserte los anclajes completamente en los orificios.

4. Coloque nuevamente el calentador con las patas de la base sobre los orificios. Asegure la base al piso con tornillos para madera. Consulte la figura 13.

CONEXIÓN AL SUMINISTRO DE GAS

⚠ ADVERTENCIA: este aparato requiere una conexión de entrada tipo NPT (rosca de tubería nacional) de 3/8" al regulador de presión.

⚠ ADVERTENCIA: una persona de servicio capacitada debe conectar el calentador al suministro de gas. Siga todos los códigos locales.

⚠ ADVERTENCIA: para gas natural, nunca conecte el calentador a pozos de gas privados (que no sean de servicio público). Este gas se conoce comúnmente como gas de pozo.

INSTALACIÓN

Continuación

IMPORTANTE: para gas natural, verifique la presión de la línea de gas antes de conectar el calentador a la misma. La presión de la línea de gas no debe ser de más de 10.5" de agua. Si la presión de la línea de gas es mayor, se pueden producir daños al regulador del calentador.

⚠ PRECAUCIÓN: para propano o gas LP, nunca conecte el calentador directamente al suministro de propano o gas LP. Este calentador requiere un regulador externo (no se incluye). Instale el regulador externo entre el calentador y el suministro de propano o gas LP.

Para gas propano o LP, el instalador debe proveer un regulador externo. El regulador externo reducirá la presión del gas entrante. Debe reducir la presión del gas entrante de manera que esté entre 11" y 14" de agua. Si no reduce la presión del gas entrante, se pueden producir daños al regulador del calentador. Instale el regulador externo con la ventila apuntando hacia abajo, como se muestra en la figura 14. El apuntar la ventila hacia abajo la protege de la lluvia helada o aguanieve.

⚠ PRECAUCIÓN: utilice únicamente tubería nueva, de hierro negro o de acero. En ciertas áreas, se puede usar tubería de cobre galvanizada internamente. Consulte los códigos locales. Utilice tubería de un diámetro lo suficientemente grande para permitir el paso del volumen de gas adecuado al calentador. Si la tubería es demasiado angosta, se producirá una pérdida indebida de volumen.

Diámetros usuales de tubería de entrada
 16-18,000 Btu/h modelos - 3/8" o mayor
 26-30,000 Btu/h modelos - 1/2" o mayor

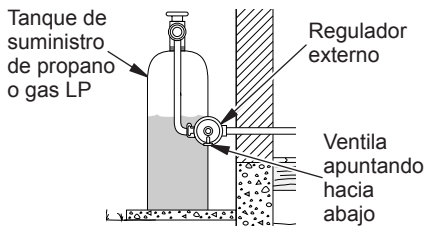
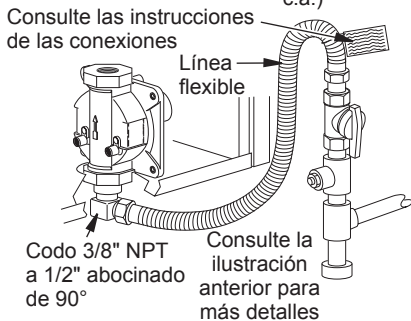
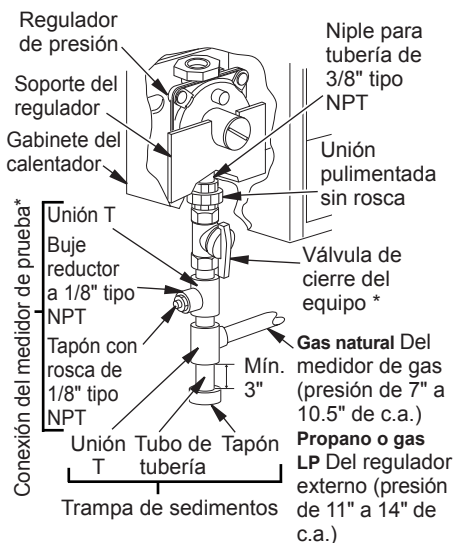


Figura 14 - Regulador externo con la ventila apuntando hacia abajo



Conexión mediante línea flexible

Figura 15 - Conexión de gas

* Una válvula de cierre de equipo con diseño certificado por la CSA con rosca tipo NPT de 1/8" es una alternativa aceptable como conexión para el medidor de prueba. Adquiera la válvula opcional de cierre de equipo certificada con diseño CSA del distribuidor. Consulte *Accesorios*, página 25.

INSTALACIÓN

Continuación

La instalación debe incluir la válvula de cierre del equipo, la unión y la rosca tipo NPT con tapón de 1/8". Sitúe el conector con rosca NPT a su alcance para realizar la conexión del medidor de prueba. La conexión NPT debe estar antes del calentador (consulte la figura 15, página 13).

IMPORTANTE: instale una válvula de cierre de equipo en un lugar que sea accesible. La válvula de cierre de equipo es para abrir o cerrar el suministro de gas al aparato.

Aplique una pequeña cantidad de sellador de tubería a las roscas NPT macho. Esto evitará que el exceso de sellador entre a la tubería. El exceso de sellador en la tubería puede ocasionar que las válvulas del calentador se tapen.

⚠ ADVERTENCIA: use sellador para tubería que sea resistente al gas de petróleo líquido (LP).

Instale la trampa de sedimentos en la línea de suministro como se muestra en la figura 15. Sitúe la trampa de sedimentos de manera que se pueda tener acceso a ella para limpieza. Sitúe la trampa de sedimentos donde sea poco probable que los materiales atrapados en ella se congelen. La trampa de sedimentos atrapa humedad y contaminantes. Esto evita que los sedimentos lleguen a los controles del calentador. Si la trampa de sedimentos no se instala o se instala incorrectamente, el calentador podría no funcionar correctamente.

IMPORTANTE: sujete el regulador de presión con una llave cuando lo conecte a la tubería de gas o a otros conectores. No apriete demasiado la conexión de la tubería al regulador. El cuerpo del regulador se podría dañar.

REVISIÓN DE LAS CONEXIONES DE GAS

⚠ ADVERTENCIA: pruebe todas las conexiones y tubería de gas, tanto internas como externas, para verificar que no haya fugas después de la instalación o reparación. Repare todas las fugas inmediatamente.

⚠ ADVERTENCIA: nunca use una llama al descubierto para buscar fugas. Aplique algún líquido no corrosivo para detectar fugas en todas las uniones. La formación de burbujas indicará una fuga. Repare todas las fugas inmediatamente.

⚠ PRECAUCIÓN: para propano o gas LP, asegúrese de que el regulador externo se haya instalado entre el suministro de propano o gas LP y el calentador. Consulte las instrucciones en Conexión al suministro de gas, en la página 11.

PRUEBAS DE PRESIÓN DEL SISTEMA DE TUBERÍA DE SUMINISTRO DE GAS

Pruebas de las presiones que excedan 1/2 PSI (3.5 kPa)

1. Desconecte el aparato junto con la válvula principal de gas del aparato (válvula de control) y la válvula de cierre del equipo del sistema de tubería de suministro de gas. Las presiones que excedan 1/2 PSI dañarán el regulador del calentador.
2. Coloque una tapa en el extremo abierto del tubo de gas donde estaba conectada la válvula de cierre del equipo.
3. Regule la presión del sistema de tubería de suministro ya sea abriendo la válvula del tanque de suministro de propano o gas LP, en caso que utilice este tipo de gas, o bien, abriendo la válvula principal de gas que se localiza en el medidor de gas natural o cerca de éste, o bien, usando aire comprimido.
4. Revise todas las uniones del sistema de tubería de suministro de gas. Aplique en todas las uniones algún líquido de detección de fugas que no sea corrosivo. La formación de burbujas indicará una fuga.
5. Repare todas las fugas inmediatamente.
6. Vuelva a conectar el calentador y la válvula de cierre del equipo al suministro de gas. Revise los niples que se volvieron a conectar para ver si hay fugas.

INSTALACIÓN

Continuación

Realice pruebas de las presiones de 1/2 PSI (3.5 kPa) o menores

1. Cierre la válvula de cierre del equipo (consulte la figura 16).
2. Regule la presión del sistema de tubería de suministro ya sea abriendo la válvula del tanque de suministro de propano o gas LP, en caso que utilice este tipo de gas, o bien, abriendo la válvula principal de gas que se localiza en el medidor de gas natural o cerca de éste, o bien, usando aire comprimido.
3. Revise todas las uniones entre el medidor de gas, si usa gas natural (consulte la figura 17), o entre el tanque de suministro de propano o gas LP, si usa este tipo de gas, y la válvula de cierre del equipo (consulte la figura 18). Aplique en todas las uniones algún líquido de detección de fugas que no sea corrosivo. La formación de burbujas indicará una fuga.
4. Repare todas las fugas inmediatamente.

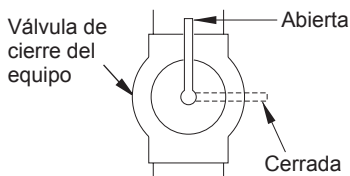


Figura 16 - Válvula de cierre del equipo

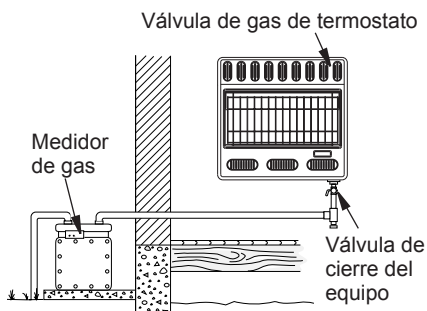


Figura 17 - Revisión de las uniones de gas para gas natural

COMPROBACIÓN DE LA PRESIÓN DE LAS CONEXIONES DE GAS DEL CALENTADOR

1. Abra la válvula de cierre del equipo (consulte la figura 16).
2. Si usa gas natural, abra la válvula principal de gas ubicada en el medidor de gas o cerca de éste. Si usa propano o gas LP, abra la válvula de suministro de propano o gas LP.
3. Compruebe que la perilla de control del calentador esté en la posición OFF (apagado).
4. Revise todas las uniones entre la válvula de cierre del equipo y válvula de gas del termostato (consulte la figura 17 ó 18). Aplique en todas las uniones algún líquido de detección de fugas que no sea corrosivo. La formación de burbujas indicará una fuga.
5. Repare todas las fugas inmediatamente.
6. Encienda el calentador (consulte *Funcionamiento*, en la página 16). Revise el resto de las uniones internas para ver si hay fugas.
7. Apague el calentador (consulte *Cómo cerrar el suministro de gas al aparato*, en la página 18).
8. Vuelva a colocar el panel anterior.

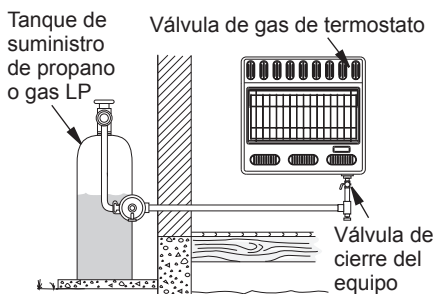


Figura 18 - Revisión de las uniones de gas para propano o gas LP

FUNCIONAMIENTO

POR SU SEGURIDAD, LEA ESTO ANTES DE ENCENDER EL CALENTADOR

⚠ ADVERTENCIA: si no sigue estas instrucciones exactamente, se puede producir un incendio o una explosión que ocasionen daños a la propiedad, lesiones personales o la muerte.

A. Este aparato tiene un piloto que debe ser encendido manualmente. Cuando encienda el piloto, siga estas instrucciones al pie de la letra.

B. ANTES DE ENCENDERLO compruebe que alrededor del aparato no huela a gas. Asegúrese de oler también cerca del piso ya que algunos gases son más pesados que el aire y se asientan cerca del piso.



QUÉ HACER SI PERCIBE OLOR A GAS

- No intente encender ningún aparato.
- No toque ningún interruptor eléctrico; no use ningún teléfono en el edificio.
- Llame inmediatamente a su proveedor de gas desde el teléfono de algún vecino. Siga las instrucciones del proveedor de gas.
- Si no puede localizar al proveedor de gas, llame al departamento de bomberos.

C. Utilice únicamente la mano para presionar o girar la perilla de control de gas. Nunca utilice herramientas. Si no puede presionar o girar la perilla manualmente, no intente repararla, llame a un técnico de servicio capacitado. Forzarla o tratar de repararla pueden producir un incendio o una explosión.

D. No use este aparato si alguna de sus partes estuvo sumergida en agua. Llame inmediatamente a un técnico capacitado de servicio para que inspeccione el aparato y reemplace las piezas del sistema de control y los controles de gas que hayan estado sumergidos en agua.

INSTRUCCIONES DE ENCENDIDO

1. ¡ALTO! Lea la información de seguridad, en la columna 1.
2. Asegúrese de que la válvula de cierre del equipo esté completamente abierta.
3. Si va a realizar algún trabajo de mantenimiento, desconecte el suministro de energía eléctrica al calentador.
4. Gire la perilla de control en dirección de la manecillas del reloj  hasta la posición OFF (apagado).
5. Espere cinco minutos a que se disipe el gas. Luego, compruebe que no huela a gas, incluso cerca del piso. Si percibe olor a gas, ¡DETÉNGASE! Realice el inciso "B" de la información de seguridad, en la columna 1. Si no percibe olor a gas, continúe con el siguiente paso.
6. Gire la perilla de control en dirección contraria a las manecillas del reloj  hasta la posición PILOT (piloto). Mantenga presionada la perilla de control durante cinco (5) segundos.
7. Continúe presionando la perilla de control y, al mismo tiempo, oprima y suelte el botón de encendido. Esto encenderá el piloto. El piloto está instalado en la parte anterior del quemador.
Nota: es posible que ésta sea la primera vez que hace funcionar el calentador después de conectarlo al suministro de gas. Si es así, es posible que deba presionar la perilla de control durante 30 segundos o más. Esto permitirá que el aire salga del sistema de gas. Si es necesario, continúe presionando el botón del encendido hasta que el piloto se encienda. En caso que el piloto no encienda, consulte la sección Solución de problemas, en la página 21, o llame a un técnico de servicio calificado o a su proveedor de gas para que realicen las reparaciones necesarias. Encienda el piloto con un fósforo hasta que se realicen las reparaciones. Para encender el piloto con un fósforo, consulte el Procedimiento para encendido manual, en la página 18.
8. Una vez que haya encendido el piloto mantenga la perilla de control presionada durante 30 segundos. Después de los 30 segundos, suelte la perilla de control.

FUNCIONAMIENTO

Continuación

- Si al soltar la perilla de control ésta no regresa a su posición original, llame a un técnico de servicio calificado o a su proveedor de gas para que realicen las reparaciones necesarias.

Nota: si el piloto se apaga, repita los pasos 4 al 7. Espere un (1) minuto antes de encender el piloto nuevamente.

9. Gire la perilla de control en sentido contrario al de las manecillas del reloj hasta la temperatura deseada.
10. Para dejar el piloto encendido y apagar sólo los quemadores, gire la perilla de control en el sentido de las manecillas del reloj hasta la posición PILOT (piloto).

⚠ PRECAUCIÓN: no intente ajustar los niveles de calefacción por medio de la válvula de cierre del equipo.

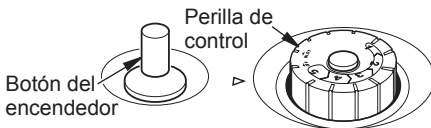


Figura 19 - Perilla de control en la posición OFF (apagado)

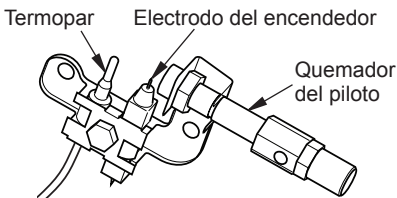


Figura 20 - Piloto

PARA SELECCIONAR EL NIVEL DE CALEFACCIÓN

⚠ ADVERTENCIA: cuando haga funcionar el calentador, coloque la perilla de control en las posiciones de bloqueo, LOW, MED o HI (BAJO, MEDIO o ALTO). Nunca coloque la perilla de control entre posiciones de bloqueo. Se pueden producir una combustión deficiente y niveles más altos de monóxido de carbono.

⚠ PRECAUCIÓN: no intente ajustar los niveles de calefacción por medio de la válvula de cierre del equipo.

Gire la perilla de control del termostato en sentido contrario al de las manecillas del reloj hacia el nivel de calefacción deseado. El quemador principal deberá encenderse. Coloque la perilla de control en cualquier nivel de calefacción entre 1 y 5 (consulte la figura 21).

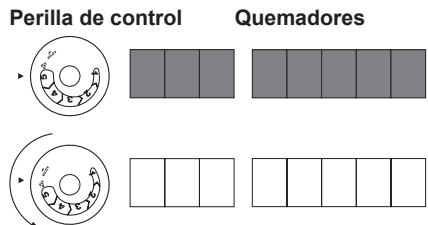



Figura 21 - Patrones del quemador

FUNCIONAMIENTO

Continuación

CÓMO CERRAR EL SUMINISTRO DE GAS AL APARATO

1. Gire la perilla de control en dirección de la manecillas del reloj  hasta la posición OFF (apagado).
2. Si va a realizar algún trabajo de mantenimiento, desconecte el suministro de energía eléctrica al calentador.
3. Cierre la válvula de cierre del equipo (consulte la figura 16, en la página 15).

CONTROL CON TERMOSTATO FUNCIONAMIENTO

El control termostático que se usa en estos modelos es distinto que el de los termostatos convencionales. Los termostatos convencionales simplemente encienden y apagan el quemador. El termostato que se usa en este calentador detecta la temperatura de la habitación. En ocasiones, la temperatura de la habitación puede ser mayor que la establecida. Si esto ocurre, el quemador se apagará. El quemador volverá a encenderse cuando la temperatura de la habitación disminuya por debajo de la temperatura establecida. La perilla de control se puede colocar en cualquier nivel de calor entre 1 y 5. Todas las placas se apagarán y se encenderán.

Nota: el bulbo sensor del termostato mide la temperatura del aire cercano al gabinete del calentador. Es posible que ésta no concuerde con la temperatura de la habitación (dependiendo de la construcción de la habitación, la ubicación de la instalación, el tamaño de la habitación, las temperaturas en los exteriores, etc.). El uso frecuente del calentador le permitirá determinar los niveles que le resulten más cómodos.

PROCEDIMIENTO PARA ENCENDIDO MANUAL

1. Desmunte el panel anterior (consulte la figura 7, página 10).
2. Realice los pasos 1 a 7 de las *Instrucciones de encendido*, en la página 16.
3. Con la perilla de control presionada, encienda un fósforo. Sostenga el fósforo en el piloto hasta que éste se encienda.
4. Una vez que haya encendido el piloto mantenga la perilla de control presionada durante 30 segundos. Después de los 30 segundos, suelte la perilla de control. Realice el paso 8 de las *Instrucciones de encendido*, página 16.
5. Vuelva a colocar el panel anterior.

INSPECCIÓN DEL CALENTADOR

Revise frecuentemente los patrones de la llama del piloto y de la llama del quemador.

PATRÓN DE LA LLAMA DEL PILOTO

La figura 22 muestra un patrón correcto de la llama del piloto. La figura 23 muestra un patrón incorrecto de la llama del piloto. La llama incorrecta del piloto no toca el termopar. Esto ocasionará que el termopar se enfríe. Cuando el termopar se enfríe, el calentador se apagará.

Si el patrón de la llama del piloto es incorrecto, como se muestra en la figura 23

- apague el calentador (consulte [Cómo cerrar el suministro de gas al aparato](#), en la página 18)
- consulte [Solución de problemas](#), en la página 21

Nota: la llama del piloto en las unidades de gas natural presentará una ligera curva, pero la llama deberá ser azul, sin color amarillo ni naranja.

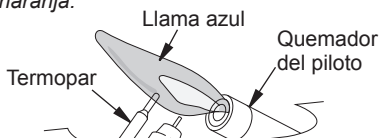


Figura 22 - Patrón correcto de la llama del piloto

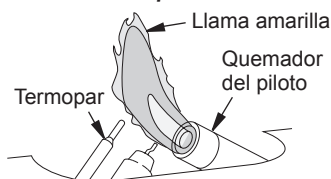


Figura 23 - Patrón incorrecto de la llama del piloto

PATRÓN DE LA LLAMA DEL CALENTADOR

La figura 24, muestra un patrón correcto de la llama del quemador. La figura 25, muestra un patrón incorrecto de la llama del quemador.

Si el patrón de la llama del quemador es incorrecto, como se muestra en la figura 25

- apague el calentador (consulte [Cómo cerrar el suministro de gas al aparato](#), en la página 18)
- consulte [Solución de problemas](#), en la página 21

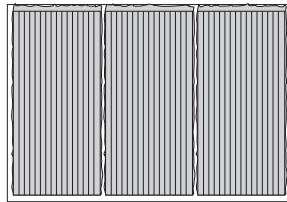


Figura 24 - Patrón correcto de la llama del quemador

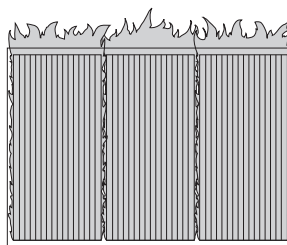


Figura 25 - Patrón incorrecto de la llama del quemador

LIMPIEZA

⚠️ ADVERTENCIA: apague el calentador y deje que se enfríe antes de limpiarlo.

⚠️ PRECAUCIÓN: debe mantener limpias las áreas de control, el quemador y los pasajes de circulación de aire del calentador. Inspeccione estas áreas del calentador antes de cada uso. Haga que una persona de servicio calificada inspeccione el calentador una vez al año. Es posible que el calentador requiera de limpieza más frecuente a causa del exceso de pelusa proveniente de alfombras, de camas, de pelo de mascotas, etc.

⚠️ ADVERTENCIA: si no mantiene limpias las aberturas principales del quemador se puede producir hollín y daños a la propiedad.

PILOTO CON ODS Y QUEMADOR

Utilice una aspiradora, aire a presión o un cepillo de cerdas suaves para la limpieza.

ENTRADA DE AIRE AL PILOTO DEL QUEMADOR

Los orificios de la entrada de aire principal permiten que la cantidad correcta de aire se mezcle con el gas. Esto produce una llama de combustión limpia. Mantenga estos orificios libres de tierra, polvo y pelusa. Limpie estos orificios de entrada de aire antes de cada temporada de calefacción. Si los orificios de aire están bloqueados, producirán hollín. Se recomienda que limpie la unidad cada tres meses de funcionamiento y que solicite que una persona de servicio capacitada inspeccione el calentador cada año.

También se recomienda que mantenga el conjunto de tubo y piloto del calentador limpio y libre de polvo y suciedad. Para limpiar estas piezas, se recomienda usar aire comprimido a una presión no mayor de 30 PSI. Es posible que la tienda local de equipo de cómputo, ferretería o de mejoras al hogar tengan aire comprimido en latas. Si utiliza aire comprimido en lata, siga las instrucciones que aparecen en la misma. Si no sigue las instrucciones escritas en la lata, puede dañar el conjunto del piloto.

1. Apague la unidad, incluyendo el piloto. Deje que la unidad se enfríe durante al menos treinta minutos.
2. Inspeccione el piloto del quemador en busca de polvo y tierra.
3. Haga pasar aire a través de los puertos o ranuras y los orificios del quemador.
4. Nunca inserte objetos en el tubo del piloto.

Limpie también el conjunto del piloto. Una punta amarilla en la llama del piloto indica la presencia de polvo y suciedad en el conjunto de piloto. Hay un pequeño orificio de entrada de aire al piloto, a aproximadamente 5 cm (2") de donde sale la llama del piloto (consulte la figura 26). Con la unidad apagada, introduzca aire suavemente a través de la entrada de aire. Si no cuenta con aire comprimido, puede soplar a través de una pajilla o popote.

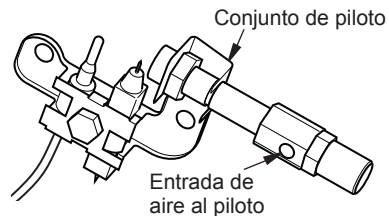


Figura 26 - Entrada de aire del piloto

GABINETE

Conductos de aire

Use aire a presión para la limpieza.

Exterior

Utilice un paño humedecido con una mezcla de agua y jabón suave. Frote el gabinete para quitar el polvo.

SOLUCIÓN DE PROBLEMAS

⚠ ADVERTENCIA: apague y desconecte el calentador y deje que se enfríe antes de darle servicio. Sólo una persona de servicio capacitada debe reparar el calentador o darle servicio.

⚠ PRECAUCIÓN: nunca utilice un alambre, aguja u objetos parecidos para limpiar el piloto/ODS. Esto puede dañar la unidad de piloto con ODS.

Nota: todos los puntos para solución de problemas se listan en orden de funcionamiento.

PROBLEMA OBSERVADO	CAUSA POSIBLE	REMEDIO
<p>Cuando se presiona el botón del encendido, no hay chispa en el piloto con ODS</p>	<ol style="list-style-type: none"> 1. El electrodo del encendido está colocado incorrectamente 2. El electrodo del encendido está averiado 3. El electrodo del encendido no está conectado al cable del encendido 4. El cable del encendido está comprimiendo o mojado 5. El cable del encendido está roto 6. Encendido defectuoso 7. La tuerca del encendido piezoeléctrico está floja 	<ol style="list-style-type: none"> 1. Reemplace el conjunto de piloto 2. Reemplace el conjunto de piloto 3. Vuelva a conectar el cable del encendido 4. Libere el cable del encendido si algún metal o tubería lo está comprimiendo. Mantenga seco el cable del encendido 5. Reemplace el cable del encendido 6. Reemplace el encendido 7. Apriete la tuerca que sostiene el encendido piezoeléctrico. La tuerca se localiza en el interior del gabinete del calentador, en la parte superior
<p>Cuando se presiona el botón del encendido, hay chispa en el piloto con ODS pero no se enciende</p>	<ol style="list-style-type: none"> 1. El suministro de gas está cerrado o la válvula de cierre del equipo está cerrada 2. La perilla de control no está en la posición pilot (piloto) 3. La perilla de control no está completamente presionada al presionar el botón del encendedor 4. Presencia de aire en las líneas de gas cuando se instalaron 5. Se agotó el suministro de gas (propano o gas LP) 6. El piloto con ODS está tapado 7. La posición del regulador de gas no es la correcta 	<ol style="list-style-type: none"> 1. Abra el suministro de gas o la válvula de cierre del equipo 2. Gire la perilla de control a la posición PILOT (piloto) 3. Gire la perilla a la posición PILOT/IGN (piloto/enc). Presione completamente la perilla de control presionando simultáneamente la perilla del encendedor 4. Mantenga la perilla de control presionada. Repita la operación de encendido hasta que se expulse el aire 5. Comuníquese con la compañía local de propano o gas LP 6. Limpie el piloto con ODS (consulte <i>Limpieza</i>, página 20) o cambie el conjunto de piloto y ODS 7. Reemplace el regulador de gas

SOLUCIÓN DE PROBLEMAS Continuación

PROBLEMA OBSERVADO	CAUSA POSIBLE	REMEDIO
En las ventanas se forma humedad o se condensa el agua	<ol style="list-style-type: none"> Hay residuos provenientes de procesos de fabricación 	<ol style="list-style-type: none"> Consulte los requisitos de <u>Aire para combustión y ventilación</u> (página 5)
El piloto con ODS se enciende pero la llama se extingue cuando se suelta la perilla de control	<ol style="list-style-type: none"> La perilla de control no está presionada completamente La perilla de control no se presionó durante el tiempo suficiente La válvula de cierre del equipo no está totalmente abierta La conexión del termopar está floja en la válvula de control La llama del piloto no está tocando el termopar, lo que hace que el termopar se enfríe y ocasiona que la llama del piloto se extinga. Este problema puede ser ocasionado por alguna de las siguientes condiciones o por ambas: A) Baja presión del gas, B) El piloto con ODS está sucio o parcialmente tapado El termopar está dañado La válvula de control está dañada 	<ol style="list-style-type: none"> Presione totalmente la perilla de control Después de que el piloto con ODS se encienda, mantenga la perilla de control presionada durante 30 segundos Abra la válvula de cierre del equipo totalmente Apriete con la mano hasta que sienta que topa, luego apriete 1/4 de vuelta más A) Comuníquese con la compañía local de gas natural o de propano o gas LP B) Limpie el piloto con ODS (consulte <u>Limpieza</u>, en la página 20), o reemplace el conjunto de piloto y ODS Reemplace el conjunto de piloto Reemplace la válvula de control
El (los) quemador(es) no se enciende(n) después de que el piloto con ODS está encendido	<ol style="list-style-type: none"> Los orificios del quemador están tapados La presión del gas de entrada es muy baja 	<ol style="list-style-type: none"> Limpie los orificios del quemador (consulte <u>Limpieza</u>, en la página 20), o reemplace los orificios del quemador Comuníquese con la compañía local de gas natural o de propano o gas LP
Hay un retraso en el encendido de los quemadores	<ol style="list-style-type: none"> La presión del tubo múltiple es muy baja Los orificios del quemador están tapados 	<ol style="list-style-type: none"> Comuníquese con la compañía local de gas natural o de propano o gas LP Limpie los orificios del quemador (consulte <u>Limpieza</u>, en la página 20), o reemplace los orificios del quemador
El quemador muestra llamas de retorno durante la combustión	<ol style="list-style-type: none"> Los orificios del quemador están tapados o dañados El quemador está dañado El regulador de gas está defectuoso 	<ol style="list-style-type: none"> Limpie los orificios del quemador (consulte <u>Limpieza</u>, en la página 20), o reemplace los orificios del quemador Reemplace el quemador Reemplace el regulador de gas

SOLUCIÓN DE PROBLEMAS

Continuación

PROBLEMA OBSERVADO	CAUSA POSIBLE	REMEDIO
Las placas del quemador no están al rojo vivo	<ol style="list-style-type: none">1. La placa está dañada2. La presión del gas de entrada es muy baja3. La perilla de control está colocada entre posiciones predeterminadas	<ol style="list-style-type: none">1. Reemplace el quemador2. Comuníquese con la compañía local de gas natural o de propano o gas LP3. Gire la perilla de control hasta que quede fija en la posición deseada
Un poco de humo u olor durante el funcionamiento inicial	<ol style="list-style-type: none">1. No hay suficiente aire para combustión o ventilación	<ol style="list-style-type: none">1. El problema desaparecerá después de algunas horas de funcionamiento
El calentador produce un ruido de chasquidos o golpeteos metálicos justo después de que el quemador se enciende o se apaga	<ol style="list-style-type: none">1. Los metales se dilatan al calentarse y se contraen al enfriarse	<ol style="list-style-type: none">1. Esto es normal en la mayoría de los calentadores. Si el ruido es excesivo, comuníquese con una persona de servicio capacitada
Se forma un residuo de polvo blanco dentro de la caja del quemador o en las paredes o muebles contiguos	<ol style="list-style-type: none">1. Cuando se calientan, los vapores provenientes de los pulidores de muebles, cera, limpiadores de alfombras, etc., pueden convertirse en residuos de polvo blanco	<ol style="list-style-type: none">1. Apague el calentador cuando utilice pulidores de muebles, ceras, limpiadores de alfombras o productos parecidos
El calentador se apaga mientras se está usando (el ODS funciona)	<ol style="list-style-type: none">1. No hay suficiente aire fresco2. Hay poca presión en la línea3. El piloto con ODS está parcialmente tapado	<ol style="list-style-type: none">1. Abra la ventana y/o la puerta para dar ventilación2. Comuníquese con la compañía local de gas natural o de propano o gas LP3. Limpie el piloto con ODS (consulte <i>Limpieza</i>, página 20)

SOLUCIÓN DE PROBLEMAS

Continuación



ADVERTENCIA: si percibe olor a gas,

- Cierre el suministro de gas.
- No intente encender ningún aparato.
- No toque ningún interruptor eléctrico; no use ningún teléfono en el edificio.
- Llame inmediatamente a su proveedor de gas desde el teléfono de algún vecino. Siga las instrucciones del proveedor de gas.
- Si no puede localizar al proveedor de gas, llame al departamento de bomberos.

IMPORTANTE: si hace funcionar el calentador donde existen impurezas en el aire se pueden producir olores. Los productos de limpieza, pintura, solventes de pintura, humo de cigarro, cementos y pegamentos, alfombras o textiles nuevos, etc., producen gases. Estos gases se pueden mezclar con el aire que se utiliza para la combustión y producir olores.

PROBLEMA OBSERVADO	CAUSA POSIBLE	REMEDIO
El calentador produce olores no deseados	<ol style="list-style-type: none">1. El calentador está quemando vapores provenientes de pinturas, aerosoles para cabello, pegamentos, etc. Consulte la declaración IMPORTANTE anterior2. Hay poco suministro de combustible (sólo para propano o gas LP)3. Fugas de gas. Consulte la anotación de advertencia al inicio de la página	<ol style="list-style-type: none">1. Ventile la habitación. Deje de usar los productos que ocasionan el olor mientras el calentador esté funcionando2. Llene el tanque de suministro3. Localice y repare todas las fugas (consulte <i>Revisión de las conexiones de gas</i>, en la página 14)
Hay olor a gas incluso cuando la perilla de control está en la posición OFF (apagado)	<ol style="list-style-type: none">1. Fugas de gas. Consulte la anotación de advertencia al inicio de la página2. La válvula de control está defectuosa	<ol style="list-style-type: none">1. Localice y repare todas las fugas (consulte <i>Revisión de las conexiones de gas</i>, en la página 14)2. Reemplace la válvula de control
Hay olor a gas durante la combustión	<ol style="list-style-type: none">1. Hay materiales extraños entre la válvula de control y el quemador2. Fugas de gas. Consulte la anotación de advertencia al inicio de la página	<ol style="list-style-type: none">1. Desensamble la tubería de gas y extraiga los materiales extraños2. Localice y repare todas las fugas (consulte <i>Revisión de las conexiones de gas</i>, en la página 14)
El calentador produce un ruido silbante cuando el quemador está encendido	<ol style="list-style-type: none">1. Hay aire en la línea de gas2. Los conductos de aire en el calentador están bloqueados3. El orificio del quemador está sucio o parcialmente obstruido	<ol style="list-style-type: none">1. Haga funcionar el quemador hasta que se elimine el aire de la línea. Solicite a la compañía local de gas natural o de propano o gas LP que revise la línea de gas2. Respete las distancias mínimas de instalación (consulte la figura 4, en la página 8)3. Limpie el quemador (consulte <i>Limpieza</i>, en la página 20), o reemplace el orificio del quemador

ESPECIFICACIONES

LCR18NT, HDR18NT

- Gas natural
- 18,000 Btu/h
- Encendido piezoeléctrico
- Ajuste del regulador de presión: 6" de c.a.
- Presión del gas de entrada* (pulg. de agua) Máximo: 10.5" de c.a., Mínimo: 7" de c.a.
- Peso promedio del calentador: 10 kg (22 lb)
- Peso promedio del paquete de envío: 11.6 kg (25.5 lb)

LCR30NT, HDR30NT

- Gas natural
- 30,000 Btu/h
- Encendido piezoeléctrico
- Ajuste del regulador de presión: 6" de c.a.
- Presión del gas de entrada* (pulg. de agua) Máximo: 10.5" de c.a., Mínimo: 7" de c.a.
- Peso promedio del calentador: 13.2 kg (29 lb)
- Peso promedio del paquete de envío: 15 kg (33 lb)

Nota: las dimensiones que se presentan en la lista son los puntos más extremos del calentador (incluyen las perillas de control y la rejilla).

* Para propósitos de ajustes de entrada.

LCR16PT, HDR16PT

- Propano o gas LP
- 16,000 Btu/h
- Encendido piezoeléctrico
- Ajuste del regulador de presión: 8" de c.a.
- Presión del gas de entrada* (pulg. de agua) Máximo: 14" de c.a., Mínimo: 11" de c.a.
- Peso promedio del calentador: 10 kg (22 lb)
- Peso promedio del paquete de envío: 11.6 kg (25.5 lb)

LCR26PT, HDR26PT

- Propano o gas LP
- 26,000 Btu/h
- Encendido piezoeléctrico
- Ajuste del regulador de presión: 8" de c.a.
- Presión del gas de entrada* (pulg. de agua) Máximo: 14" de c.a., Mínimo: 11" de c.a.
- Peso promedio del calentador: 13.2 kg (29 lb)
- Peso promedio del paquete de envío: 5 kg (33 lb)

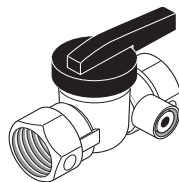
ACCESORIOS

Adquiera estos accesorios del calentador con el distribuidor local. Si éste no puede proveer estos accesorios, comuníquese con la Central de piezas más cercana (consulte la página 29) o llame a DESA Heating Products al 1-866-672-6040 para obtener información de referencia. También puede escribir a la dirección que se encuentra en la última página de este manual.

PAQUETE DE ENCENDIDO

ELECTRÓNICO: GA435

Para todos los modelos con encendido piezoeléctrico. Proporciona un encendido del piloto más fácil.



VÁLVULA DE CIERRE DEL EQUIPO GA5010

Para todos los modelos. Válvula de cierre del equipo con rosca de 1/8" tipo NPT.

CONSEJOS PARA SERVICIO

Cuando la presión del gas de entrada sea muy baja:

- El piloto no permanecerá encendido.
- El quemador tendrá un retraso durante el encendido.
- El calentador no producirá el calor especificado.
- El suministro de propano o gas LP puede ser bajo.

Posiblemente piense que la presión del gas es muy baja. Si es así, comuníquese con el proveedor local de gas natural o de propano o gas LP.

SERVICIO TÉCNICO

Es posible que tenga preguntas adicionales acerca de la instalación, el funcionamiento o la solución de problemas. De ser así, póngase en contacto con el departamento de servicio técnico de DESA Heating Products al teléfono 1-866-672-6040. Al llamar tenga a la mano los números de modelo y serie de su calentador.

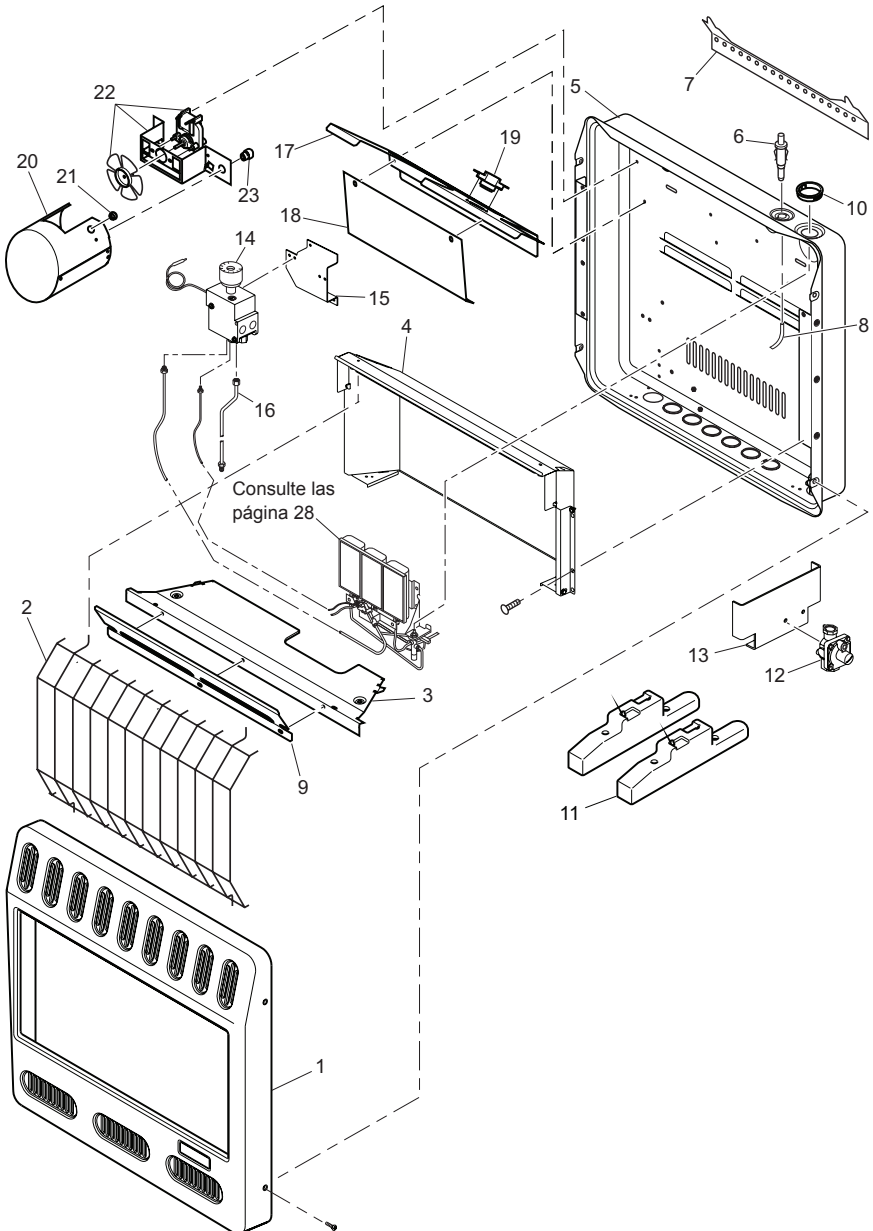
También puede visitar el sitio web de servicio técnico de DESA Heating Products en www.desatech.com.

PIEZAS

MODELOS CON GABINETE

LCR16PT, LCR18NT, LCR26PT, LCR30NT

HDR16PT, HDR18NT, HDR26PT, HDR30NT



PIEZAS

Esta lista contiene las piezas reemplazables utilizadas en el calentador. Al hacer un pedido de piezas, siga las instrucciones provistas en *Piezas de repuesto* en la página 29 de este manual.

N°	N° DE PARTE	DESCRIPCIÓN								CANT.
			LCR16PT	HDR16PT	LCR18NT	HDR18NT	LCR26PT	HDR26PT	LCR30NT	
1	107673-01	Panel anterior								1
	107673-03	Panel anterior	•	•						1
	107676-01	Panel anterior			•			•	•	1
	107676-05	Panel anterior				•		•		1
2	103476-01	Resguardo de rejilla	•	•	•	•				1
	103476-02	Resguardo de rejilla				•	•	•	•	1
3	**	Guarnición	•	•	•	•	•	•	•	1
4	107894-12	Armadura de reflector	•	•	•	•				1
	107894-13	Armadura de reflector				•	•	•	•	1
5	**	Panel posterior del gabinete	•	•	•	•	•	•	•	1
6	097159-04	Encendido piezoeléctrico	•	•	•	•	•	•	•	1
7	099066-02	Soporte de montaje	•	•	•	•	•	•	•	1
8	098271-09	Cable del encendedor	•	•	•	•	•	•	•	1
9	107896-01	Protector de calor	•	•	•	•				1
	107896-02	Protector de calor				•	•	•	•	1
10	111421-01	Casquillos a presión	•	•	•	•	•	•	•	1
11	120378-01	Patas de base	•	•	•	•	•	•	•	2
12	099415-18	Regulador de propano/gas LP	•	•		•	•			1
	099415-19	Regulador de gas natural		•	•		•	•	•	1
13	104819-02	Soporte del regulador	•	•	•	•	•	•	•	1
14	098522-24	Válvula de gas del termostato	•	•	•	•	•	•	•	1
15	102394-02	Soporte de montaje para válvula de termostato	•	•	•	•	•	•	•	1
16	103256-02	Tubo de entrada	•	•	•	•	•	•	•	1
17	118721-02	Pantalla deflectora superior				•	•	•	•	1
	118721-01	Pantalla deflectora superior	•	•	•	•				1
18	119099-01	Pantalla deflectora inferior	•	•	•	•	•	•	•	1
19	119664-01	Interruptor de límite térmico	•	•	•	•	•	•	•	1
20	118661-01	Tubería de alojamiento	•	•	•	•	•	•	•	1
21	099038-01	Buje para atenuar deformaciones	•	•	•	•	•	•	•	1
22	PP100	Paquete de ventilador	•	•	•	•	•	•	•	1
23	101547-01	Casquillos a presión	•	•	•	•	•	•	•	1
PARTES DISPONIBLES - NO ILUSTRADAS										
	100642-03	Conjunto de herrajes	•	•	•	•	•	•	•	1
	105345-01	Abrazadera de cable	•	•	•	•	•	•	•	1
	109121-01	Protector del piloto	•	•	•	•	•	•	•	1

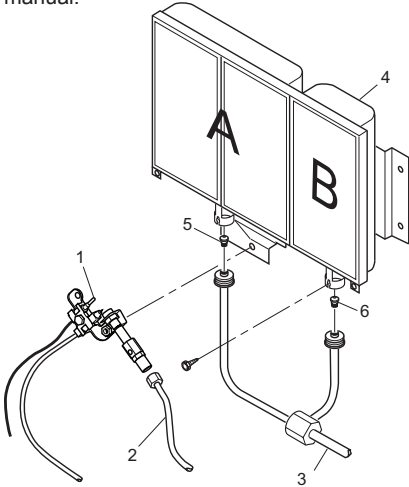
** No es una pieza que se pueda reemplazar en el sitio.

PIEZAS

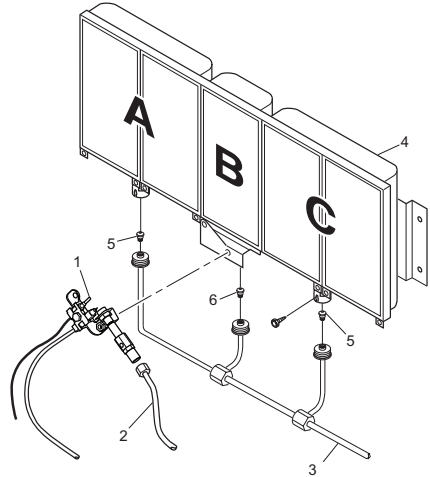
MODELOS CON CONJUNTO DE QUEMADOR

LCR16PT, LCR18NT, LCR26PT, LCR30NT,
HDR16PT, HDR18NT, HDR26PT, HDR30NT

Esta lista contiene las piezas reemplazables utilizadas en el calentador. Al hacer un pedido de piezas, siga las instrucciones provistas en *Piezas de repuesto* en la página 29 de este manual.



Conjunto de quemador
LCR16PT, LCR18NT, HDR16PT y
HDR18NT



Conjunto de quemador
LCR26PT, LCR30NT, HDR26PT y
HDR30NT

N°	N° DE PARTE	DESCRIPCIÓN	(LC,HDR16PT)	(LC,HDR18NT)	(LC,HDR26PT)	(LC,HDR30NT)	CANT.
1	120630-02	Piloto con ODS LP	•	•	•	•	1
	120630-03	Piloto con ODS NG	•	•	•	•	1
1-1	120791-01	Electrodo del encendedor	•	•	•	•	1
1-2	120790-01	Termopar	•	•	•	•	1
2	099387-03	Tubo de piloto	•	•	•	•	1
	099387-11	Tubo de piloto	•	•	•	•	1
3	104818-03	Tubo de salida: válvula a quemador	•	•	•	•	1
	104818-04	Tubo de salida: válvula a quemador	•	•	•	•	1
4	099218-08	Quegador	•	•	•	•	1
	099218-09	Quegador	•	•	•	•	1
5	099056-24	Inyector: placa A o C	•	•	•	•	1-2
	099056-25	Inyector: placa A o C	•	•	•	•	1-2
6	099056-01	Inyector: placa B	•	•	•	•	1
	099056-02	Inyector: placa B	•	•	•	•	1

PIEZAS DE REPUESTO

Nota: use sólo piezas de repuesto originales. Esto protegerá la cobertura de su garantía para partes reemplazadas con garantía.

PIEZAS CON GARANTÍA

Póngase en contacto con los distribuidores autorizados de este producto. Si no pueden proporcionarle las piezas originales de repuesto, llame al departamento de servicio técnico de DESA Heating Products al 1-866-672-6040.

Cuando llame a DESA Heating Products, tenga listo:

- su nombre,
- su dirección,
- los números de modelo y de serie de su calentador,
- la falla del calentador,
- el tipo de gas utilizado (propano o gas LP o gas natural),
- la fecha de compra.

Generalmente, le pediremos que devuelva la pieza a la fábrica.

PIEZAS SIN GARANTÍA

Póngase en contacto con los distribuidores autorizados de este producto. Si ellos no pueden proveer piezas de repuesto originales, comuníquese con la Central de piezas más cercana, o bien, llame a DESA Heating Products al 1-866-672-6040 para obtener información de referencia.

Cuando llame a DESA Heating Products, tenga listo:

- el número del modelo de su calentador,
- el número de la pieza de reemplazo.

PUBLICACIONES DE SERVICIO

Puede adquirir un manual de servicio en la dirección que se indica en el reverso de este manual. Envíe un cheque de \$5.00 a nombre de DESA Heating Products.

CENTRAL DE PIEZAS

Estas Centrales de piezas son empresas privadas. Han aceptado dar asistencia a las necesidades de nuestros clientes ofreciendo piezas de repuesto y accesorios originales.

Those Heater Guys

255 E. Stowell Street
Upland, CA 91786
909-982-3011

Tool & Equipment Co.

5 Manila Ave
Hamden, CT 06514, EE.UU.
1-800-397-7553
203-248-7553

Portable Heater Parts

342 N. County Rd. 400 East
Valparaiso, IN 46383, EE.UU.
219-462-7441
1-888-619-7060
www.portableheaterparts.com
sales@portableheaterparts.com
techservice@portableheaterparts.com

FBD

1349 Adams Street
Bowling Green, KY 42103, EE.UU.
270-846-1199
1-800-654-8534
Fax: 1-800-846-0090
franktalk@aol.com

Master Parts Dist.

1251 Mound Ave. NW
Grand Rapids, MI 49504, EE.UU.
616-791-0505
1-800-446-1446
www.nbmc.com

Washer Equipment Co.

1715 Main Street
Kansas City, MO 64108, EE.UU.
KS, MO, AR
816-842-3911
www.washerparts.com

East Coast Energy

10 East Route 36
W Long Branch, NJ 07764, EE.UU.
732-870-8809
1-800-755-8809
www.njplaza.com/ecep

21st Century

2950 Fretz Valley
Perkasie, PA 18944, EE.UU.
215-795-0400
800-325-4828

Laporte's Parts & Service

2444 N. 5th Street
Hartsville, SC 29550, EE.UU.
843-332-0191
Parts Department

Cans Unlimited

P.O. Box 645
Taylor, SC 29687, EE.UU.
803-879-3009
1-800-845-5301
cuisales@aol.com

GARANTÍA

GUARDE ESTA GARANTÍA

Modelo _____

N° de serie _____

Fecha de compra _____

Siempre especifique los números de modelo y de serie cuando se comunique con la fábrica.

La única garantía aplicable es nuestra garantía estándar por escrito. No otorgamos ninguna otra garantía, expresa o implícita.

GARANTÍA LIMITADA PARA PRODUCTOS NUEVOS Y REACONDICIONADOS DE FÁBRICA

Productos nuevos: DESA Heating, LLC garantiza este calentador y todas sus partes contra cualquier defecto en los materiales y mano de obra por dos (2) años a partir del día de la compra, siempre y cuando se haya operado y dado mantenimiento de acuerdo con la instrucciones del fabricante. Estas garantías se extienden solamente al comprador minorista original, cuando se proporciona un comprobante de compra.

Calentadores reacondicionados de fábrica: DESA Heating, LLC garantiza este calentador y cualquiera de sus partes contra cualquier defecto en los materiales y mano de obra por treinta (30) días a partir del día de la compra, siempre y cuando se haya operado y dado mantenimiento de acuerdo con la instrucciones del fabricante. Estas garantías se extienden solamente al comprador minorista original, cuando se proporciona un comprobante de compra.

Esta garantía cubre únicamente al comprador minorista original. Esta garantía sólo cubre el costo de las piezas requeridas para restablecer este calentador a su condición de operación adecuada. Las piezas de garantía SE DEBEN obtener por medio de los distribuidores autorizados de este producto y de DESA Heating, LLC, quienes proporcionarán las piezas de repuesto originales de fábrica. Si no se utilizan piezas de repuesto originales de fábrica, esta garantía quedará anulada. Un instalador capacitado DEBE haber instalado el calentador de acuerdo con todos los códigos locales e instrucciones incluidas con la unidad.

Esta garantía no se aplica a las piezas que no estén en su condición original debido al desgaste y ruptura normales, ni a las piezas que fallen o se dañen como resultado de uso incorrecto, accidentes, falta de mantenimiento adecuado o defectos ocasionados por una instalación incorrecta. Los viáticos, gastos de diagnóstico, mano de obra, transporte y todos los costos de naturaleza similar que se relacionen con la reparación de un calentador defectuoso serán responsabilidad del propietario.

HASTA DONDE LO PERMITALE LEY DE LA JURISDICCIÓN QUE REGULA LA VENTA DEL PRODUCTO, ESTA GARANTÍA EXPLÍCITA EXCLUYE A TODAS Y CADA UNA DE LAS DEMÁS GARANTÍAS EXPLÍCITAS Y LIMITA LA DURACIÓN DE TODAS Y CADA UNA DE LAS GARANTÍAS IMPLÍCITAS, INCLUSO LAS GARANTÍAS DE MERCANTIBILIDAD E IDONEIDAD PARA UN PROPÓSITO PARTICULAR, A DOS (2) AÑOS PARA TODOS LOS COMPONENTES A PARTIR DE LA FECHA DE LA PRIMERA COMPRA; Y EL PRESENTE DOCUMENTO LIMITA LA RESPONSABILIDAD DE DESA HEATING, LLC AL PRECIO DE COMPRA DEL PRODUCTO, DE MANERA QUE DESA HEATING, LLC NO SERÁ RESPONSABLE POR NINGÚN OTRO DAÑO EN ABSOLUTO, LO QUE INCLUYE LOS DAÑOS INDIRECTOS, INCIDENTALES O EMERGENTES.

En algunos estados no se permiten las limitaciones en cuanto a la duración de las garantías implícitas o las exclusiones o limitaciones de los daños incidentales o emergentes, de manera que es posible que la limitación anterior referente a las garantías implícitas o la exclusión o limitación de daños no se aplique a usted.

Esta garantía le otorga derechos legales específicos y usted podría tener también otros derechos que varían de un estado a otro.

Para obtener información sobre esta garantía, escriba a:



DESA Heating, LLC
2701 Industrial Drive
P.O. Box 90004
Bowling Green, KY 42102-9004
www.desatech.com
1-866-672-6040



121255 01
NOT A UPC

121255-01
Rev. A
03/07

Patente en trámite

Free Manuals Download Website

<http://myh66.com>

<http://usermanuals.us>

<http://www.somanuals.com>

<http://www.4manuals.cc>

<http://www.manual-lib.com>

<http://www.404manual.com>

<http://www.luxmanual.com>

<http://aubethermostatmanual.com>

Golf course search by state

<http://golfingnear.com>

Email search by domain

<http://emailbydomain.com>

Auto manuals search

<http://auto.somanuals.com>

TV manuals search

<http://tv.somanuals.com>