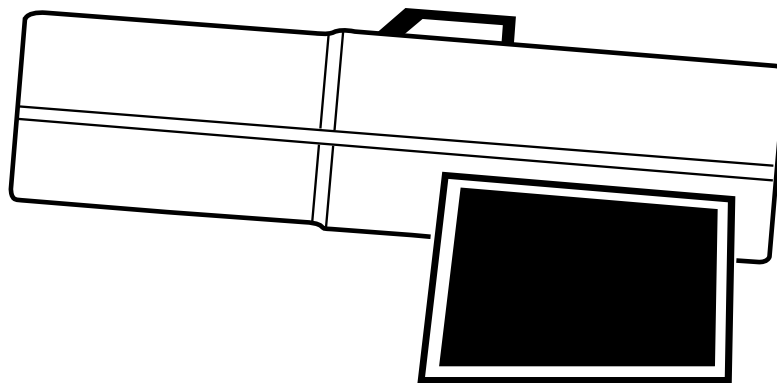


CANADIAN PROPANE CONSTRUCTION HEATER

OWNER'S MANUAL



MODEL: RCLP155B

IMPORTANT: Read and understand this manual before assembling, starting, or servicing heater. Improper use of heater can cause serious injury. Keep this manual for future reference.

⚠ GENERAL HAZARD WARNING:

FAILURE TO COMPLY WITH THE PRECAUTIONS AND INSTRUCTIONS PROVIDED WITH THIS HEATER, CAN RESULT IN DEATH, SERIOUS BODILY INJURY AND PROPERTY LOSS OR DAMAGE FROM HAZARDS OF FIRE, EXPLOSION, BURN, ASPHYXIATION, CARBON MONOXIDE POISONING, AND/OR ELECTRICAL SHOCK.

ONLY PERSONS WHO CAN UNDERSTAND AND FOLLOW THE INSTRUCTIONS SHOULD USE OR SERVICE THIS HEATER.

IF YOU NEED ASSISTANCE OR HEATER INFORMATION SUCH AS AN INSTRUCTIONS MANUAL, LABELS, ETC. CONTACT THE MANUFACTURER.



CANADIAN RCLP155B

PROPANE CONSTRUCTION HEATER

SAFETY INFORMATION

WARNINGS

⚠ WARNING: FIRE, BURN, INHALATION, AND EXPLOSION HAZARD. KEEP SOLID COMBUSTIBLES, SUCH AS BUILDING MATERIALS, PAPER OR CARDBOARD, A SAFE DISTANCE AWAY FROM THE HEATER AS RECOMMENDED BY THE INSTRUCTIONS. NEVER USE THE HEATER IN SPACES WHICH DO OR MAY CONTAIN VOLATILE OR AIRBORNE COMBUSTIBLES, OR PRODUCTS SUCH AS GASOLINE, SOLVENTS, PAINT THINNER, DUST PARTICLES OR UNKNOWN CHEMICALS.

⚠ WARNING: NOT FOR HOME OR RECREATIONAL VEHICLE USE.

The heater is designed for use as a construction heater in accordance with ANSI Z83.7•CGA2.14. Other standards govern the use of fuel gases and heating products for specific uses. Your local authority can advise you about these. The primary purpose of construction heaters is to provide temporary heating of buildings under construction, alteration or repair. Properly used, the heater provides safe economical heating. Products of combustion are vented into the area being heated.

We cannot foresee every use which may be made of our heaters. **Check with your local fire safety authority if you have questions about heater use.**

Other standards govern the use of fuel gases and heat producing products for specific uses. Your local authorities can advise you about these.

Carbon Monoxide Poisoning: Some people are more affected by carbon monoxide than others. Early signs of carbon monoxide poisoning resemble the flu, with headaches, dizziness, and/or nausea. If you have

these signs, the heater may not be working properly. **Get fresh air at once!** Check for proper ventilation and have heater serviced.

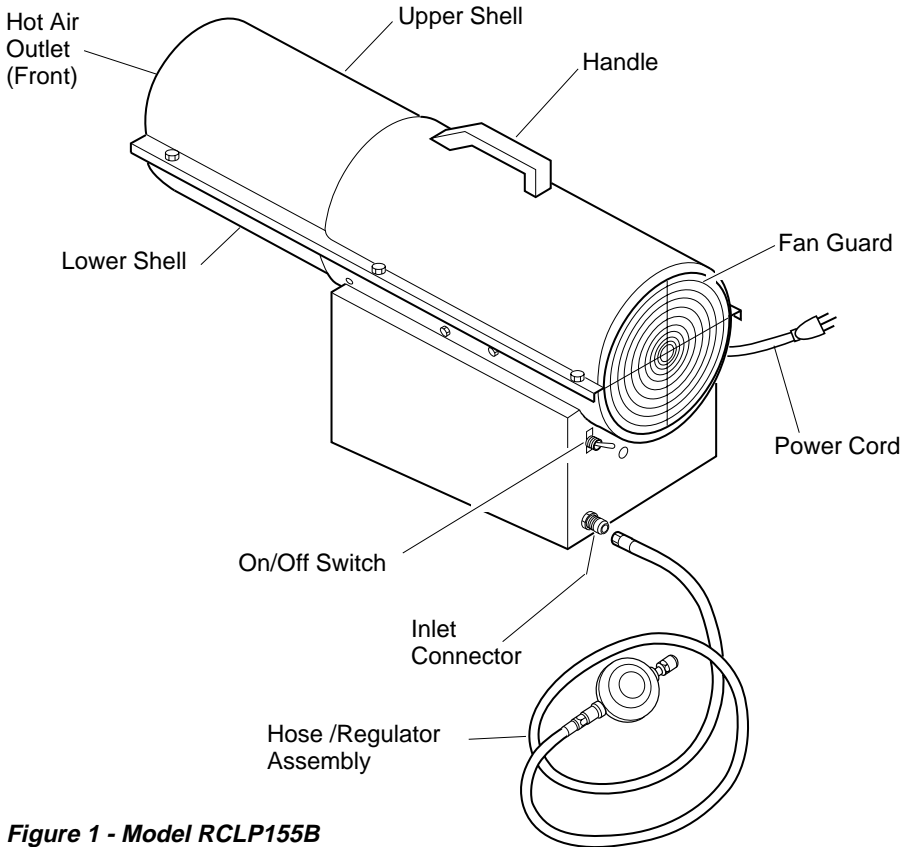
Propane Gas: Propane gas is odorless. An odor-making agent is added to propane gas. The odor helps you detect a propane gas leak. However, the odor added to propane gas may fade. Propane gas may be present even though no odor exists.

Make certain you read and understand all Warnings. Keep this manual for reference. It is your guide to safe and proper operation of this heater.

- Install and use heater with care. Follow all local ordinances and codes. In the absence of local ordinances and codes, refer to the *Standard for Storage and Handling of Liquefied Petroleum Gas, ANSI/NFPA 58* and the *Natural Gas Installation Code, CAN/CGA B149.2*. This instructs on the safe storage and handling of propane gases.
- Use only the electrical voltage and frequency specified on model plate.
- The electrical connections and grounding of the heater shall follow the 0
- Electrical grounding instructions — This appliance is equipped with a three-prong (grounding) plug for your protection against shock hazard and should be plugged directly into a properly grounded three-prong receptacle.
- Use only a three-prong, grounded extension cord.
- Use only the hose and factory preset regulator provided with the heater.
- Use only propane gas set up for vapor withdrawal.
- Provide adequate ventilation. Before using heater, provide at least a 0.28 m² (3 ft.²) opening of fresh, outside air for each 100,000 Btu/Hr of rating. This heater produces carbon monoxide, which is listed by the State of California as a reproductive toxin under Proposition 65.
- For indoor use only. Do not use heater outdoors.
- Do not use heater in occupied dwellings or in living or sleeping quarters.
- Do not use heater below ground level. Propane gas is heavier than air. If a leak occurs, propane gas will sink to the lowest possible level.
- Keep appliance area clear and free from combustible materials, gasoline, paint thinner, and other flammable vapors and liquids. Do not use heater in areas with high dust content.
- Minimum heater clearances from combustibles: Outlet: 2.50 m (8 ft.) Sides: 60 cm (2 ft.) Top: 2 m (6 ft.) Rear: 60 cm (2 ft.)
- Keep heater at least 2 meters (6 feet) from propane tank(s). Do not point heater at propane tank(s) within 6 meters (20 feet).
- Keep propane tank(s) below 38° C (100° F).
- Check heater for damage before each use. Do not use a damaged heater.
- Check hose before each use of heater. If highly worn or cut, replace before using heater.
- Locate heater on stable and level surface if heater is hot or operating.
- Not intended for use on finished floors.
- Never block air inlet (rear) or air outlet (front) of heater.
- Keep heater away from strong drafts, water spray, rain, or dripping water.
- Do not leave heater unattended.
- Keep children and animals away from heater.
- Never move, handle, or service a hot, operating, or plugged-in heater. Severe burns may result. Wait 20 minutes after turning heater off.
- To prevent injury, wear gloves when handling heater.
- Never attach duct work to heater.
- Do not alter heater. Keep heater in its original state.
- Do not use heater if altered.
- Turn off propane supply and unplug heater when not in use.
- Use only original replacement parts. This heater must use design-specific parts. Do not substitute or use generic parts. Improper replacement parts could cause serious or fatal injuries.

OWNER'S MANUAL

PRODUCT IDENTIFICATION



UNPACKING

1. Remove all packing items applied to heater for shipment. Keep plastic cover caps (attached to inlet connector and hose/regulator assembly) for storage.
2. Remove all items from carton.
3. Check all items for shipping damage. If heater is damaged, promptly inform dealer where you bought heater.

THEORY OF OPERATION

The Fuel System

The hose/regulator assembly attaches to the propane gas supply. The propane gas moves through the solenoid valve and out the nozzle.

The Air System

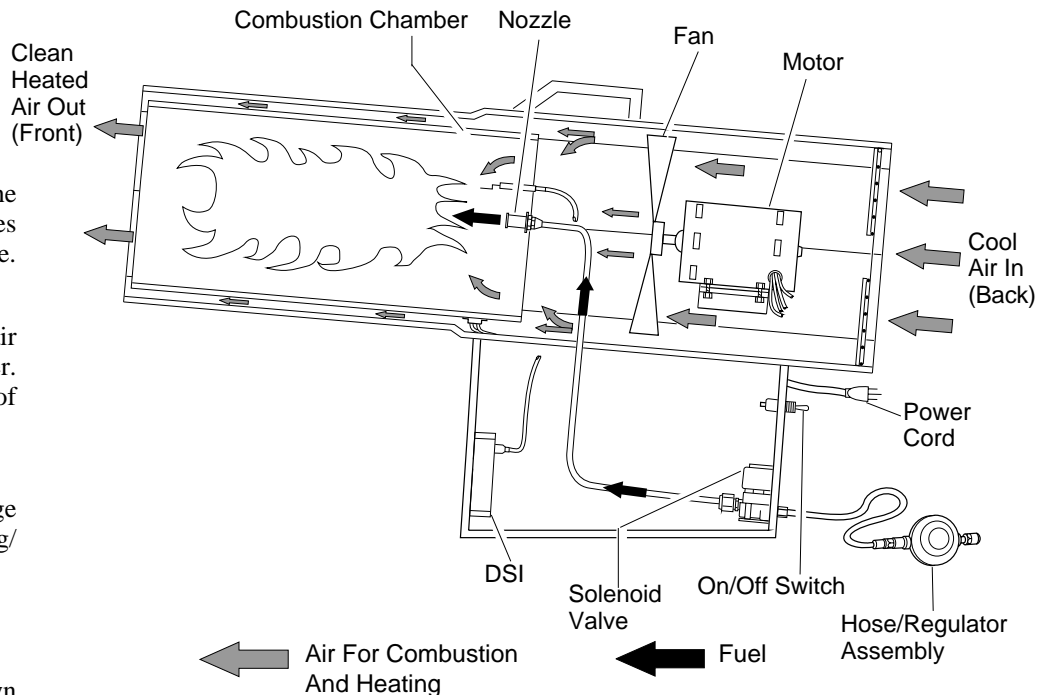
The motor turns the fan. The fan pushes air into and around the combustion chamber. This air is heated and provides a stream of clean, hot air.

The Ignition System

The direct spark ignitor (DSI) sends voltage to the spark plug/ignitor. The spark plug/ignitor ignites the fuel and air mixture.

THE SAFETY CONTROL SYSTEM

This system causes the heater to shut down if the flame goes out.



CANADIAN RCLP155B

PROPANE CONSTRUCTION HEATER

PROPANE SUPPLY

Propane gas and propane tank(s) are to be furnished by the user.

Use this heater only with a propane vapor withdrawal supply system. See Chapter 5 of the *Standard for Storage and Handling of Liquefied Petroleum Gas, ANSI/NFPA 58* and/or *CAN/CGA B149.2*. Your local library or fire department will have this booklet.

The amount of propane gas ready for use from propane tanks varies. Two factors decide this amount:

1. The amount of propane gas in tank(s)
2. The temperature of tank(s)

The chart below shows the number of 45 kg (100 lb) tanks needed to run this heater.

Do not operate this product with any tank smaller than 45 kg (100 lb).

Temperature °C (°F) At Tank Location	Number of tanks
0 (32)	2
6.7 (20)	2
-12 (10)	3
-18 (0)	3
-23 (-10)	(Use larger tank)
-29 (-20)	(Use larger tank)

Less gas is vaporized at lower temperatures. You may need two or more 45 kg (100 lb) tanks or one larger tank in colder weather. Your local propane gas dealer will help you select the proper supply system. The minimum surrounding-air temperature rating for each heater is -29 °C (-20 °F).

INSTALLATION

WARNING: Review and understand the warnings in the *Safety Information* section, page 2. They are needed to safely operate this heater. Follow all local codes when using this heater.

WARNING: Test all gas piping and connections for leaks after installing or servicing. Never use an open flame to check for a leak. Apply a mixture of liquid soap and water to all joints. Bubbles forming show a leak. Correct all leaks at once.

1. Provide propane supply system (see *Propane Supply*, column 1).
2. Connect POL fitting on hose/regulator assembly to propane tank(s). Turn POL fitting counterclockwise into threads on tank. Tighten firmly using wrench. Tighten regulator with vent pointing over the hose (see Figure 3).
3. Connect hose to inlet connector. Tighten firmly using a wrench (see Figure 4).

IMPORTANT: Extra hose or piping may be used if needed. Install extra hose or piping between hose/regulator assembly and propane tank. You must use the regulator supplied with heater.

4. Open propane supply valve on propane tank(s) slowly. **Note:** If not opened slowly, excess-flow check valve on propane tank may stop gas flow. If this happens, close propane supply valve and open again slowly.
5. Check all connections for leaks.

WARNING: Never use an open flame to check for a leak. Apply a mixture of liquid soap and water to all joints. Bubbles forming show a leak. Correct all leaks at once.

6. Close propane supply valve.

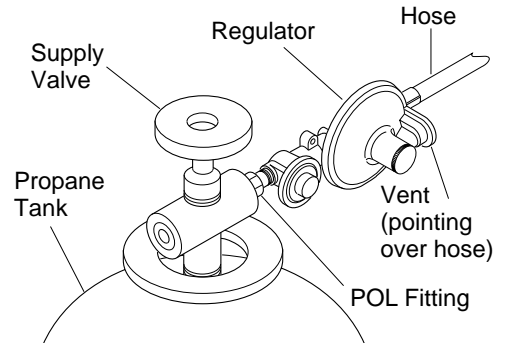


Figure 3 - Regulator With Vent Pointing Over Hose

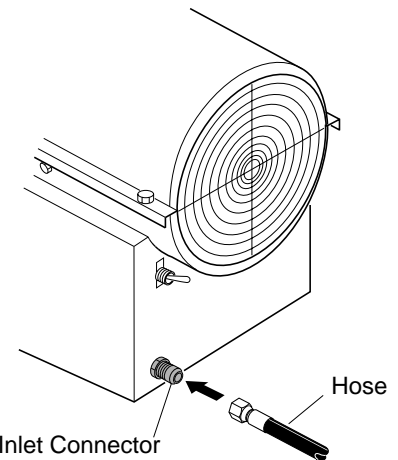


Figure 4 - Hose and Inlet Connector

VENTILATION

⚠ WARNING: Follow the minimum fresh, outside air ventilation requirements. If proper fresh, outside air ventilation is not provided, carbon monoxide poisoning can occur. Provide proper fresh, outside air ventilation before running heater.

Provide a fresh air opening of at least 0.28 m² (3 ft²) for each 100,000 Btu/Hr rating. Provide extra fresh air if more heaters are being used.

OPERATION

⚠ WARNING: Review and understand the warnings in the Safety Information section, page 2. They are needed to safely operate this heater. Follow all local codes when using this heater.

TO START HEATER

1. Follow all installation, ventilation and safety information.
2. Locate heater on stable and level surface. Make sure strong drafts do not blow into front or rear of heater.
3. Plug power cord of heater into a three-prong, grounded extension cord. Extension cord must be at least 2 m (6 ft) long. Extension cord must be UL/CGA listed.

Extension Cord Size Requirement

Up to 15 m (50 ft) long, use 18 AWG rated cord.

16 to 30 m (51 to 100 ft) long, use 16 AWG rated cord.

31 to 60 (101 to 200 ft) long, use 14 AWG rated cord.

4. Plug extension cord into a 120 volt/60 hertz, three-hole, grounded outlet.
5. Open propane supply valve on propane tank(s) slowly. *Note:* If not opened slowly, excess-flow check valve on propane tank may stop gas flow. If this happens, close propane supply valve and open again slowly.

6. Turn on/off switch to the ON position. Heater will start within twenty seconds. *Note:* If heater does not start, turn on/off switch to the OFF position. Wait ten seconds for safety control to reset, then try again.

TO STOP HEATER

1. Tightly close propane supply valve on propane tank(s). Allow heater to burn remaining fuel in hose.
2. Wait a few seconds. Heater will burn gas left in supply hoses.
3. Turn on/off switch to the OFF position.
4. Unplug heater.

STORAGE

⚠ CAUTION: Disconnect heater from propane supply tank(s).

1. Store propane tank(s) in safe manner. See Chapter 5 of *Standard for Storage and Handling of Liquefied Petroleum Gases, ANSI/NFPA 58* and/or *CAN/CGA B149.2*. Follow all local codes.
2. Place plastic cover caps over brass fittings on inlet connector and hose/regulator assembly.
3. Store in dry, clean, and safe place. Do not store hose/regulator assembly inside heater combustion chamber.
4. When taking heater out of storage, always check inside of heater. Insects and small animals may place foreign objects in heater. Keep inside of heater free from combustible and foreign objects.

MAINTENANCE

⚠ WARNING: Never service heater while it is plugged in, connected to propane supply, operating, or hot. Severe burns and electrical shock can occur.

1. Keep heater clean. Clean heater annually or as needed to remove dust and debris. If heater is dirty or dusty, clean heater with a damp cloth.
2. Inspect heater before each use. Check connections for leaks. Apply mixture of liquid soap and water to connections. Bubbles forming show a leak. Correct all leaks at once.
3. Inspect hose/regulator assembly before each use. If hose is highly worn or cut, replace.
4. Have heater inspected yearly by a qualified service agency.
5. Keep inside of heater free from combustible and foreign objects.

PREVENTATIVE MAINTENANCE SCHEDULE

⚠ WARNING: Never service heater while it is plugged in, connected to propane supply, operating, or hot. Severe burns and electrical shock can occur.

Item	How Often	How To
Fan	Clean every 500 hours of operation or as needed	See <i>Fan</i> , page 6

CANADIAN RCLP155B PROPANE CONSTRUCTION HEATER

SERVICE PROCEDURES

⚠ WARNING: Never service heater while it is plugged in, connected to propane supply, operating, or hot. Severe burns and electrical shock can occur.

UPPER SHELL REMOVAL

1. Remove screws along each side of heater using 5/16" nut-driver. These screws attach upper and lower shells together.
2. Lift or slide upper shell off.
3. Remove fan guard.

FAN

IMPORTANT: Remove fan from motor shaft before removing motor from heater. The weight of the motor resting on the fan could damage the fan pitch.

1. Remove upper shell (see above).
2. Use 1/8" hex wrench to loosen setscrew which holds fan to motor shaft.
3. Slip fan off motor shaft.
4. Clean fan using soft cloth moistened with kerosene or solvent.
5. Dry fan thoroughly.
6. Replace fan on motor shaft. Make sure setscrew is touching back of flat surface on motor shaft (see Figure 8).
7. Place setscrew on flat of shaft. Tighten setscrew firmly 4.5 to 5.6 N-lb (40-50 in-lb).
8. Replace fan guard and upper shell.

IGNITOR

1. Make sure gap between ignitor electrode and burner nozzle is 3.3/3.8 mm (.13/.15 in). Access ignitor electrode from inside combustion chamber. No other maintenance is needed for ignitor.

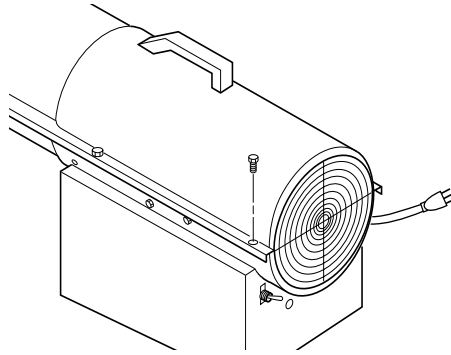


Figure 5 - Upper Shell Removal

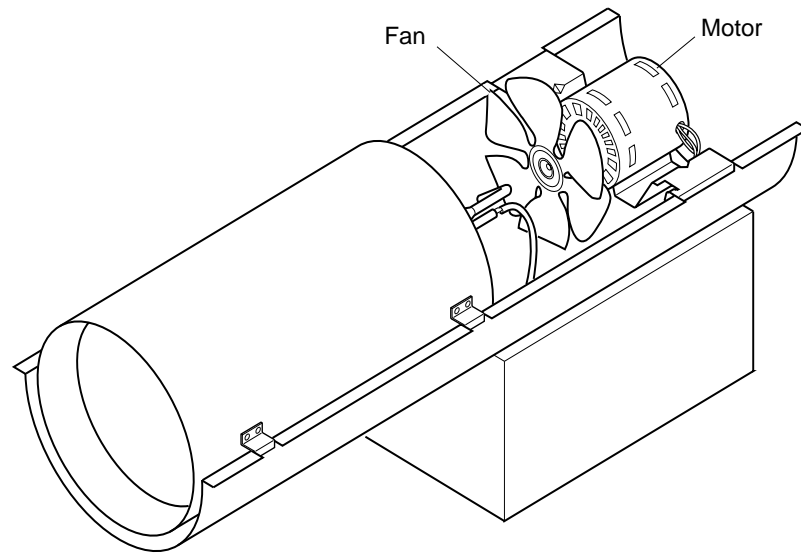


Figure 6 - Fan Removal

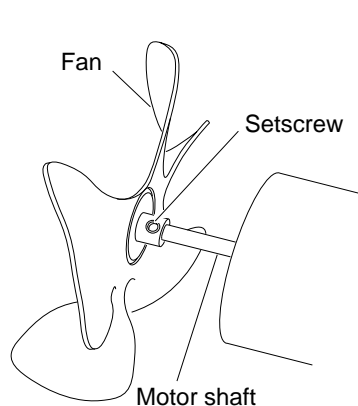


Figure 7 - Fan, Motor Shaft, and Setscrew Location

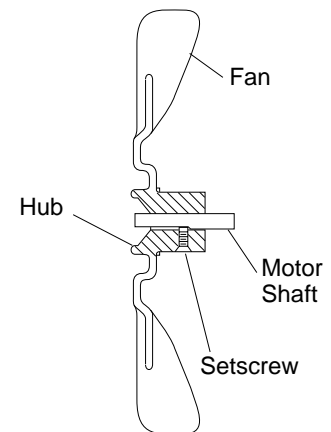


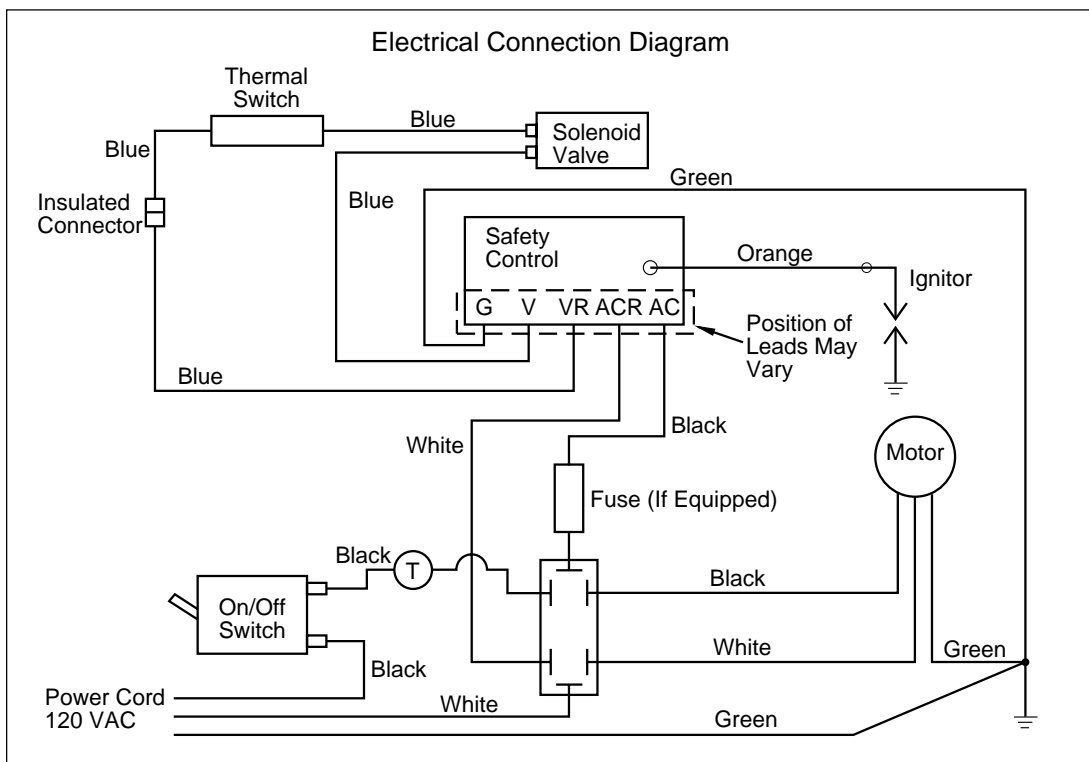
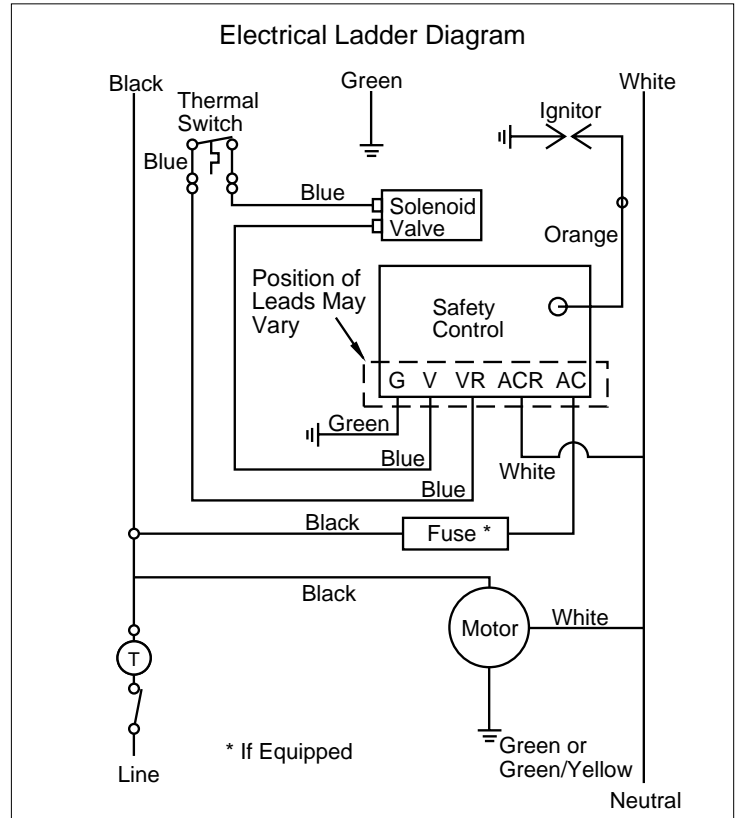
Figure 8 - Fan Cross Section

OWNER'S MANUAL

SPECIFICATIONS

Input Rating (Btu/Hr)	150,000
Fuel	Propane Vapor Only
Fuel Consumption	
Liters (Gallons)/Hour	6 (1.6)
Kg (Pounds)/Hour	26.4 (7.0)
Supply Pressure To Regulator	
Minimum (for purposes of input adjustment)	69 (kPa) 10 psi
Maximum	Tank Pressure
Regulator Outlet Pressure	
(Factory Preset)	31.8 cm (12.5 in) WC
Manifold Pressure	24.9 cm (9.8 in) WC
Hot Air Output	
(CFM Approx)	15.6 (550)
Motor	3,430 RPM, 1/8 HP
Electric Input	120 V/60 Hz
Amperage	2.2
Ignition	Direct Spark, Interrupted Type
Ignitor Gap	3.3/3.8 mm (.13/.15 in)
Weight	
Heater	11 kg (24 lb)
Shipping	16 kg (35 lb)
Size - L x W x H cm (in)	92.7 x 36.8 x 50.8 (36 1/4 x 14 1/2 x 20)

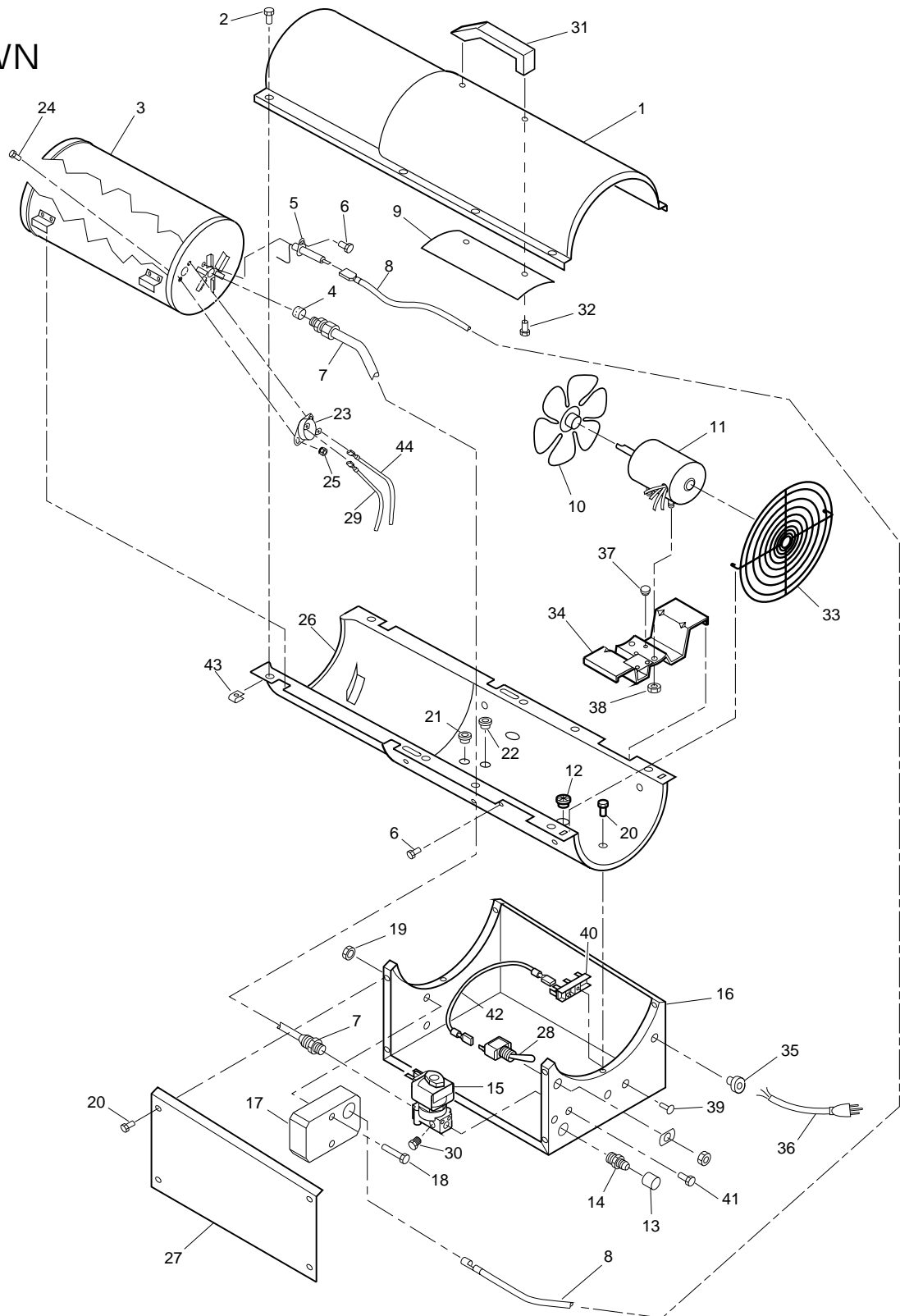
WIRING DIAGRAMS



CANADIAN RCLP155B PROPANE CONSTRUCTION HEATER

ILLUSTRATED PARTS BREAKDOWN

RCLP155B



Note: Screws are standard hardware items

OWNER'S MANUAL

PARTS LIST

This list contains replaceable parts used in your heater. When ordering parts, follow the instructions listed under *Replacement Parts* on page 10 of this manual.

RCLP155B

KEY NO.	PART NO.	DESCRIPTION	QTY.	KEY NO.	PART NO.	DESCRIPTION	QTY.
1	098511-116	Upper Shell, Model RCLP155B	1	29	101480-03	High Temperature Wire Assembly	1
2	100647-01	Screw, #10-16 x 1/2"	8	30	098276-01	Plug 1/8 NPTF Hex	1
3	098512-35	Combustion Chamber Kit	1	31	M51104-01	Handle	1
4	099138-01	Nozzle	1	32	M11084-29	Screw, #10-16 x 3/4"	2
5	099133-01	Ignitor	1	33	101206-01	Fan Guard	1
6	M11084-38	Screw, #8-18 x 3/8"	2	34	098138-02	Motor & Relay Support Bracket Assy.	1
7	099334-01	Fuel Tube Kit	1	35	M11143-1	Strain Relief Bushing	1
8	097806-02	Ignitor Cable	1	36	098219-17	Power Cord	1
9	M51108-01	Heat Shield	1	37	M50631	Rubber Bumper	2
10	M51153-01	Fan	1	38	NTC-4C	Lock Nut	2
11	103404-01	Motor	1	39	099157-01	Break Mandrell Rivet, 3/16"	1
12	097776-01	Universal Bushing	1	40	099125-01	Terminal Board	1
13	078978-01	Sleeve Cap	1	41	M12461-25	Screw, #10-32 x 1/4"	2
14	M51572-02	Male Connector	1	42	M9900-170	Wire Assembly	1
15	099132-01	Solenoid Valve	1	43	M11271-8	Clip Nut	8
16	097966-04AA	Base	1	44	101480-02	High Temperature Wire Assembly	1
17	M51605-02	DSI Control	1	PARTS AVAILABLE-NOT SHOWN			
18	M12461-7	Screw, #6-32 x 1"	2		097941-23	Tradename Decal, Model RCLP155B	2
19	099432-01	Hex Nut, #6-32	2		079663-01	LP Warning Decal (English)	1
20	M11084-27	Screw, #10-16 x 1/2"	10		079663-02	LP Warning Decal (French)	1
21	M50104-05	Shorty Bushing	1		099164-04	Wiring Decal	1
22	M50104-01	Shorty Bushing	1		100176-02	Warning Decal	1
23	101732-01	Thermal Limit Switch	1		100865-03	Operation Decal	1
24	097968-05	Screw, #4-40 x 1/2"	2		LPA3070	Regulator & Hose Assembly	1
25	097384-04	Hex Nut, #4-40 Captive Washer	2		LPA1010	10' Hose Assembly	1
26	098511-131	Lower Shell, Model RCLP155B	1		LPA2100	Regulator	1
27	097965-02AA	Side Cover	1		LPA4020	Fuel Gas Connector	1
28	098226-01	On/Off Switch	1		HA1210	Thermostat	

CANADIAN RCLP155B

PROPANE CONSTRUCTION HEATER

ACCESSORIES

Purchase accessories and parts from your nearest dealer or service center. If your dealer or service center can not supply an accessory or part, call DESA Industries' Parts Department at 1-905-826-8010. You can also write to the address listed on the back page of this manual.

REGULATOR - LPA2100

HOSE AND REGULATOR ASSEMBLY - LPA3070

FUEL GAS CONNECTOR LPA4020

A POL adapter with excess-flow check valve.

THERMOSTAT - HA1210

- Helps economize on fuel
- No installation required
- Plugs into standard 120V outlet

TECHNICAL SERVICE

You may have further questions about this heater. If so, contact DESA International's Technical Service Department at 1-800-323-5190.

You can also visit DESA International's Technical Service web site at www.desatech.com.

REPLACEMENT PARTS

⚠ WARNING: Use only original replacement parts. This heater must use design-specific parts. Do not substitute or use generic parts. Improper replacement parts could cause serious or fatal injuries. This will also protect your warranty coverage for parts replaced under warranty.

PARTS UNDER WARRANTY

Contact authorized dealers of this product. If they cannot supply original replacement part(s), call DESA Industries at 1-905-826-8010. When calling DESA Industries, have ready:

- your name
- your address
- model number and serial number of your heater
- how heater was malfunctioning
- purchase date

In most cases, we will ask you to return the defective part to the factory.

PARTS NOT UNDER WARRANTY

Contact authorized dealers of this product. If they cannot supply original replacement part(s), call DESA Industries' Parts Department at 1-905-826-8010. When calling DESA Industries, have ready:

- model number of your heater
- the replacement part number

WARRANTY AND REPAIR SERVICE

KEEP THIS WARRANTY

LIMITED WARRANTY

DESA Industries warrants this product and any parts thereof, to be free from defects in materials and workmanship for one (1) year from the date of first purchase when operated and maintained in accordance with instructions. This warranty is extended only to the original retail purchaser, when proof of purchase is provided.

This warranty covers only the cost of parts and labor required to restore the product to proper operating condition. Transportation and incidental costs associated with warranty repairs are not reimbursable under this warranty.

Warranty service is available only through authorized dealers and service centers.

This warranty does not cover defects resulting from misuse, abuse, negligence, accidents, lack of proper maintenance, normal wear, alteration, modification, tampering, contaminated fuels, repair using improper parts, or repair by anyone other than an authorized dealer or service center. Routine maintenance is the responsibility of the owner.

THIS EXPRESS WARRANTY IS GIVEN IN LIEU OF ANY OTHER WARRANTY EITHER EXPRESSED OR IMPLIED, INCLUDING WARRANTIES OF MERCHANTABILITY AND FITNESS FOR A PARTICULAR PURPOSE.

DESA Industries assumes no responsibility for indirect, incidental or consequential damages. Some states do not allow the exclusion or limitation of incidental or consequential damages, or limitations or exclusions may not apply to you. This Limited Warranty gives you specific legal rights and you may also have other rights which vary from state to state.

We reserve the right to amend these specifications at any time without notice. The only warranty applicable is our standard written warranty. We make no other warranty, expressed or implied.

WARRANTY SERVICE

Should your heater require service, return it to your nearest authorized service center. Proof of purchase must be presented with the heater. The heater will be inspected. A defect may be caused by faulty materials or workmanship. If so, DESA Industries will repair or replace the heater without charge.

REPAIR SERVICE

Return your heater to your nearest authorized service center. Repairs not covered by the warranty will be billed at standard prices. Each Service Center is independently owned and operated. We reserve the right to amend these specifications at any time without notice.

Model _____

Serial No. _____

Date of Purchase _____

DESA Industries of Canada, Inc.

2220 Argentia Road, Unit #4

Mississauga, Ontario

L5N2K7

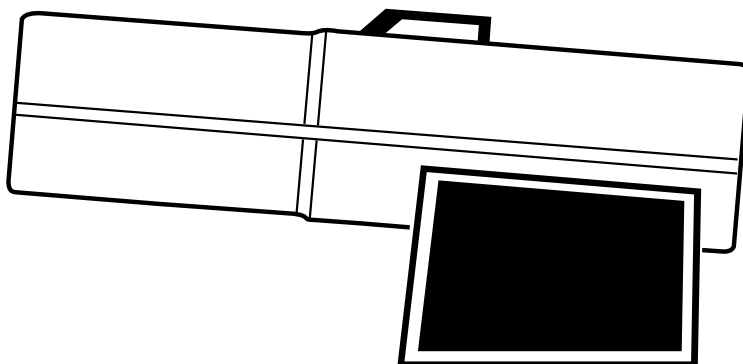
905-826-8010

Fax: 905-826-8236

www.desatech.com

APPAREIL DE CHAUFFAGE CANADIEN AU PROPANE POUR LA CONSTRUCTION

MANUEL D'UTILISATION



MODELE : RCLP155B

IMPORTANT: Veiller à lire et bien comprendre ce manuel avant de monter, de mettre en marche ou d'effectuer l'entretien de cet appareil. Son usage incorrect peut résulter en des blessures graves. Conserver ce manuel pour future référence.

AVERTISSEMENT GÉNÉRAL

LE NON RESPECT DES MESURES DE SÉCURITÉ ET DES INSTRUCTIONS FOURNIES AVEC CET APPAREIL PEUT ENTRAÎNER DES BLESSURES GRAVES OU MORTELLES ET DES DOMMAGES MATÉRIELS OU LA PERTE DE BIENS RÉSULTANT D'UN INCENDIE, D'UNE EXPLOSION, DE BRÛLURES, D'UNE ASPHYXIE, D'UN EMPOISONNEMENT PAR OXYDE DE CARBONE ET/OU D'UN CHOC ÉLECTRIQUE.

SEULES LES PERSONNES CAPABLES DE COMPRENDRE ET DE SUIVRE LES INSTRUCTIONS DOIVENT UTILISER OU PROCÉDER À L'ENTRETIEN DE CET APPAREIL DE CHAUFFAGE.

POUR TOUTE ASSISTANCE OU L'OBTENTION D'INFORMATIONS CONCERNANT L'APPAREIL, TELLES QUE MANUEL D'INSTRUCTIONS, AUTOCOLLANTS, ETC., CONTACTER LE FABRICANT.



INFORMATIONS CONCERNANT LA SÉCURITÉ

AVERTISSEMENTS

AVERTISSEMENT: RISQUES D'INCENDIE, DE BRÛLURES ET D'EXPLOSION. L'INHALATION DES GAZ EST DANGEREUSE. GARDER LES COMBUSTIBLES SOLIDES, TELS QUE MATÉRIAUX DE CONSTRUCTION, PAPIER OU CARTON À DISTANCE SÛRE DE L'APPAREIL, COMME RECOMMANDÉ DANS LES INSTRUCTIONS. NE JAMAIS UTILISER L'APPAREIL DANS DES LOCAUX OÙ SE TROUVENT OU RISQUENT DE SE TROUVER DES COMBUSTIBLES VOLATILS OU EN SUSPENSION DANS L'AIR, OU DES PRODUITS TELS QUE L'ESSENCE, LES SOLVANTS, LE DILUANT POUR PEINTURE, DES PARTICULES DE POUSSIÈRE OU DES PRODUITS CHIMIQUES INCONNUS.

AVERTISSEMENT: CET APPAREIL N'EST PAS CONÇU POUR L'USAGE DOMESTIQUE OU DANS UN VÉHICULE RÉCRÉATIF.

Cet appareil est conçu pour le chauffage des chantiers de construction, conformément à la norme ANSI Z83.7/CGA 2.14. D'autres normes régissent l'usage de gaz combustibles et de produits de chauffage pour des applications spécifiques. S'informer auprès des autorités locales. La fonction primaire des appareils de chauffage pour la construction est d'assurer le chauffage temporaire de bâtiments en cours de construction, de rénovation ou de réparation. Correctement utilisé, cet appareil constitue un moyen de chauffage économique, en toute sécurité. Les produits de combustion sont propagés dans la zone chauffée.

Il nous est impossible de prévoir toutes les applications pour lesquelles nos appareils de chauffage sont utilisés. **Pour toute question concernant l'utilisation de l'appareil de chauffage, consulter les services locaux de prévention des incendies.**

D'autres normes régissent l'usage de gaz combustibles et de produits de chauffage pour des applications spécifiques. S'informer auprès des autorités locales.

Empoisonnement par oxyde de carbone : Certaines personnes sont plus sensibles que d'autres à l'oxyde de carbone. Les signes précoces de l'empoisonnement par oxyde de carbone ressemblent à ceux de la grippe : maux de tête, vertiges et/ou nausée. Si ces symptômes se manifestent, il se peut que l'appareil ne fonctionne pas correctement. **Se rendre immédiatement à l'air frais !** Assurer une ventilation adéquate et faire réparer l'appareil.

Propane: Le propane est inodore. Un agent odorisant lui est ajouté. L'odeur aide à la détection des fuites. Toutefois, l'efficacité de l'agent odorisant peut s'estomper et le propane peut être présent en l'absence de toute odeur.

Veiller à lire et bien comprendre tous les avertissements. Conserver ce manuel pour future référence. Il constitue le guide d'utilisation sûre et correcte de l'appareil de chauffage.

- Installer et utiliser l'appareil avec précaution. Respecter toutes les réglementations et tous les codes locaux. En l'absence de tels codes et réglementations, se référer à : *Standard for Storage and Handling of Liquefied Petroleum Gas, ANSI/NFPA 58* et *Natural Gas Installation Code CAN/CGA B149.2*. Ces publications concernent la sécurité d'entreposage et de manipulation du propane.
- Utiliser exclusivement la tension et la fréquence spécifiées sur la plaquette signalétique.
- Les branchements électriques et la mise à la terre de l'appareil doivent être conformes aux spécifications du *Code électrique national américain ANSI/NFPA 70* ou du *Code électrique canadien, 1ère partie*.
- Instructions de mise à la terre - Cet appareil est équipé d'une prise à trois broches (avec mise à la terre) afin de protéger l'utilisateur des risques de choc électrique. Il doit être branché directement sur une prise secteur à trois broches correctement mise à la terre.
- Utiliser exclusivement un cordon prolongateur à trois broches avec mise à la terre.
- Utiliser exclusivement le flexible et le détendeur réglé en usine fournis avec l'appareil.
- Cet appareil ne doit être utilisé qu'avec un système d'alimentation à suppression de vapeurs de propane.
- Prévoir une ventilation adéquate. Avant d'utiliser l'appareil, prévoir une ouverture d'au moins 0,28 m² (3 pi²) pour l'air frais de l'extérieur pour chaque 100 000 BTU/hr. Cet appareil de chauffage produit de l'oxyde de carbone, considéré par l'état de Californie comme une toxine reproductrice, aux termes de la Proposition 65.
- Conçu pour l'usage intérieur uniquement. Ne pas utiliser à l'extérieur.
- Ne pas utiliser l'appareil dans des locaux d'habitation ou des dortoirs.
- Ne pas utiliser l'appareil au-dessous du niveau du sol. Le propane est plus lourd que l'air. En cas de fuite, ce gaz descend au plus bas niveau possible.
- Tenir l'appareil à l'écart et protégé des matériaux combustibles tels que l'essence, le diluant pour peinture et autres vapeurs et liquides inflammables. Ne pas utiliser dans un endroit très poussiéreux.
- Distance minimum des combustibles :
Avant : 2,50 m (8 pi) Côtés : 60 cm (2 pi)
Dessus : 2 m (6 pi) Arrière : 60 cm (2 pi)
- Garder l'appareil à au moins deux mètres des bouteilles de propane. Ne pas diriger l'appareil vers les bouteilles de propane se trouvant à moins de 6 mètres (20 pi).
- Garder les bouteilles de propane au-dessous de 38 °C (100 °F).
- Vérifier que l'appareil n'est pas endommagé avant chaque usage. Ne pas utiliser un appareil de chauffage endommagé.
- Vérifier le flexible avant chaque utilisation. S'il est très usé ou coupé, le remplacer avant d'utiliser l'appareil.
- Si l'appareil est chaud ou en fonctionnement, le placer sur une surface plane et stable.
- Cet appareil n'est pas conçu pour être utilisé sur des sols finis.
- Ne jamais bloquer l'entrée (arrière) ou la sortie (avant) d'air de l'appareil.

INFORMATIONS CONCERNANT LA SÉCURITÉ

suite

- Garder l'appareil à l'écart des forts courants d'air, des jets d'eau, de la pluie ou des égouttements.
- Ne pas laisser l'appareil sans surveillance.
- Tenir les enfants et les animaux à l'écart de l'appareil.
- Pour éviter des brûlures graves, ne jamais déplacer, manipuler ou réparer un appareil chaud, en fonctionnement ou branché. Attendre 20 minutes après avoir éteint l'appareil.
- Pour éviter les risques de blessures, manipuler l'appareil avec des gants.
- Ne jamais fixer de conduits sur l'appareil.
- Ne pas modifier l'appareil. Le conserver dans son état d'origine.
- Ne pas utiliser l'appareil s'il a été modifié.
- Fermer l'arrivée de gaz et débrancher l'appareil lorsqu'il n'est pas en usage.
- Utiliser exclusivement des pièces détachées d'origine. Cet appareil doit utiliser des pièces spécialement conçues. Ne pas utiliser de substituts ni de pièces génériques. L'usage de pièces de rechange inadéquates peut résulter en des blessures graves ou mortelles.

DÉBALLAGE

1. Retirer tous les articles d'emballage utilisés pour l'expédition. Conserver les capuchons en plastique (du connecteur d'entrée de gaz et de l'ensemble flexible/détendeur) pour le remisage.
2. Sortir toutes les pièces du carton.
3. Inspecter toutes les pièces en vue de dommages subis en cours d'expédition. Si l'appareil est endommagé, informer immédiatement le revendeur chez qui il a été acheté.

IDENTIFICATION DU PRODUIT

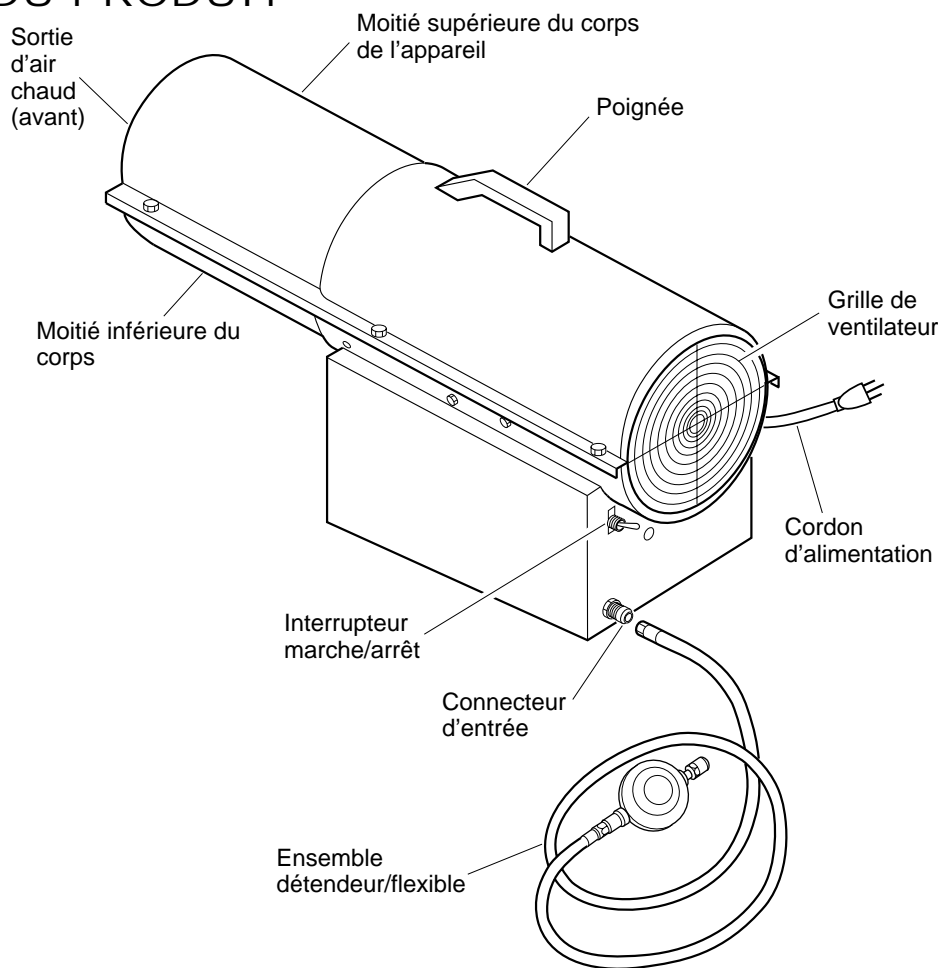


Figure 1 - Modèle RCLP155B

RCLP155B

APPAREIL DE CHAUFFAGE AU PROPANE

PRINCIPE DE FONCTIONNEMENT

Alimentation en combustible

L'ensemble flexible/détendeur se branche sur la bouteille de propane pour alimenter l'appareil. Le propane passe dans l'électrovanne et sort de la buse.

Air forcé

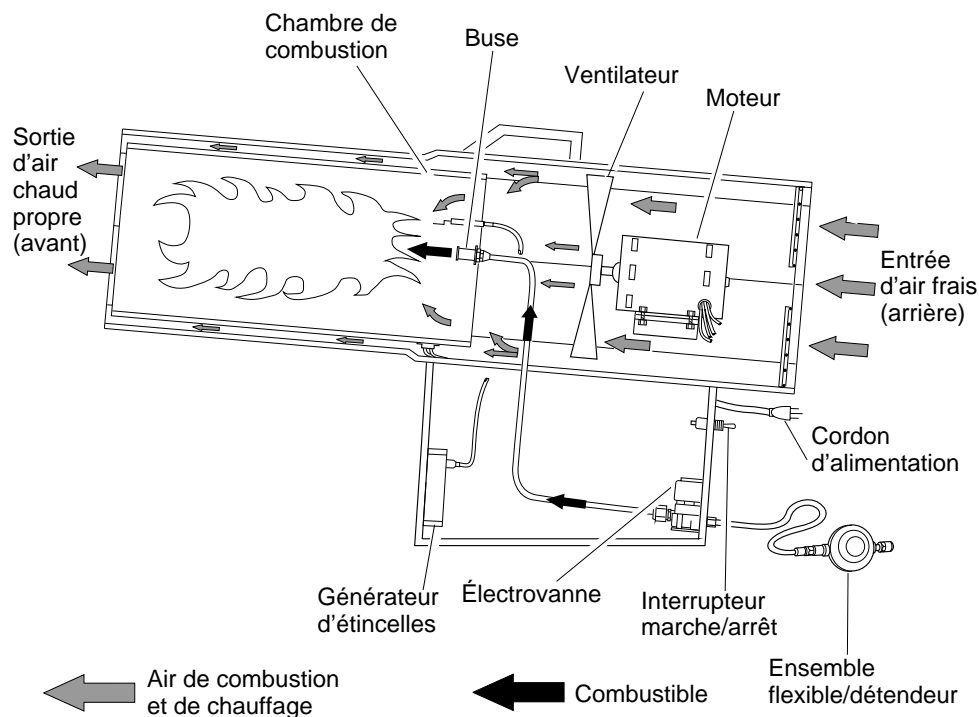
Le moteur fait tourner le ventilateur, qui pousse l'air dans et autour de la chambre de combustion. L'air est chauffé et sort de l'appareil propre et chaud.

Allumage

Le générateur d'étincelles (GE) transmet la tension à la bougie/l'allumeur, qui enflamme le mélange air/combustible.

Système de sécurité

Ce dispositif arrête l'appareil si la flamme s'éteint.



ALIMENTATION EN PROPANE

L'utilisateur doit fournir le gaz propane et la (les) bouteille(s).

Cet appareil ne doit être utilisé qu'avec un système d'alimentation à suppression de vapeurs de propane. Voir le chapitre 5 de *Standard for Storage and Handling of Liquefied Petroleum Gas, ANSI/NFPA 58* et/ou *Natural Gas Installation Code CAN/CGA B149. 2*. Ces publications peuvent être obtenues auprès du service de lutte contre les incendies ou à la bibliothèque municipale.

La quantité de propane prêt à l'usage de la bouteille varie en fonction de deux facteurs:

1. La quantité de gaz dans la (les) bouteille(s)
2. La température de la (des) bouteille(s)

Le tableau ci-dessous indique le nombre de bouteilles de 45 kg (100 lb) nécessaire pour alimenter l'appareil. Ne pas utiliser de bouteilles de moins de 45 kg (100 lb) avec cet appareil.

Températures moyennes °C (°F) à la bouteille	Nombre de bouteilles
0 (32)	2
6,7 (20)	2
-12 (10)	3
-18 (0)	3
-23 (-10)	(utiliser une bouteille plus grosse)
-29 (-20)	(utiliser une bouteille plus grosse)

Une moindre quantité de gaz est vaporisée à basse température. Deux bouteilles de 45 kg (100 lb) ou plus, ou une bouteille plus grosse peuvent être nécessaires par temps froid. Le distributeur de propane local pourra recommander le système d'alimentation adéquat. La température ambiante minimum pour chaque appareil de chauffage est de -29 °C (-20 °F).

Figure 2 - Vue en coupe de l'appareil en fonctionnement

INSTALLATION

⚠ AVERTISSEMENT: Revoir et veiller à bien comprendre les avertissements de la section *Informations concernant la sécurité*, page 2. Ils sont essentiels à la sécurité d'utilisation de l'appareil. Respecter tous les codes locaux lors de l'utilisation de l'appareil.

⚠ AVERTISSEMENT: Vérifier que toutes les conduites et tous les branchements de gaz sont exempts de fuites une fois l'installation terminée et après entretien ou réparation. Ne jamais utiliser une flamme pour détecter les fuites. Enduire tous les raccords d'eau savonneuse. La formation de bulles indique une fuite. Réparer immédiatement toute fuite.

1. Se procurer les bouteilles de gaz (voir Alimentation en propane, ci-dessus).
2. Brancher le connecteur POL de l'ensemble flexible/détendeur sur la (les) bouteille(s) de propane. Visser le connecteur POL sur la bouteille en tournant vers la gauche. Serrer fermement à l'aide d'une clé. Le détendeur doit être serré avec l'aérateur dirigé vers le flexible (voir la Figure 3).
3. Brancher le flexible sur le connecteur d'entrée. Le serrer fermement avec une clé (voir la Figure 4).

IMPORTANT : Utiliser un flexible ou un tuyau supplémentaire si nécessaire, entre l'ensemble flexible/détendeur et la bouteille de propane. Le détendeur fourni avec l'appareil doit être utilisé.

4. Ouvrir le(s) robinet(s) de la (des) bouteille(s) de propane lentement. **Remarque :** Si le robinet n'est pas ouvert lentement, la soupape de sûreté de la bouteille coupe l'arrivée du gaz. Le cas échéant, refermer le robinet et essayer de nouveau.
5. Vérifier tous les branchements en vue de fuites.

⚠ AVERTISSEMENT: Ne jamais utiliser une flamme pour détecter les fuites. Enduire tous les raccords d'eau savonneuse. La formation de bulles indique une fuite qui doit être réparée immédiatement.

6. Fermer le robinet de la bouteille de propane.

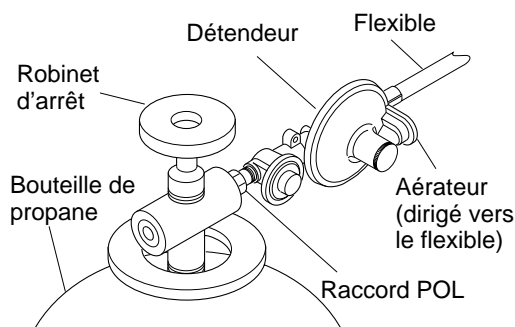


Figure 3 - Détendeur avec aérateur dirigé vers le flexible

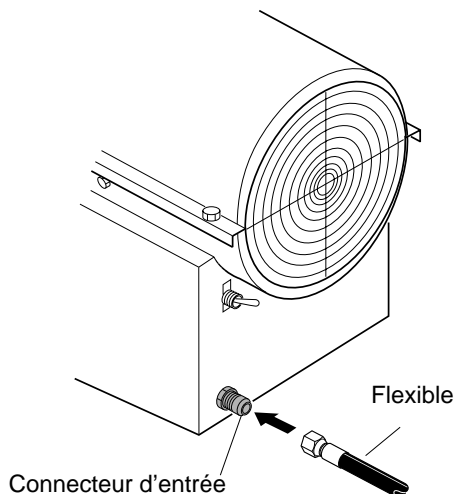


Figure 4 - Flexible et connecteur d'entrée

VENTILATION

⚠ AVERTISSEMENT: Respecter les spécifications de ventilation par air frais de l'extérieur. L'absence d'une telle ventilation peut être la cause d'empoisonnement par l'oxyde de carbone. Prévoir une ventilation d'air frais de l'extérieur avant d'utiliser l'appareil de chauffage.

Prévoir une ouverture pour l'air frais de l'extérieur de 0,28 m² (3 pi²) minimum pour chaque 100 000 BTU/hr nominaux. Prévoir davantage d'air si plusieurs appareils sont utilisés.

FONCTIONNEMENT

⚠ AVERTISSEMENT: Revoir et veiller à bien comprendre les avertissements de la section Informations concernant la sécurité, pages 2 et 3. Ils sont essentiels à la sécurité d'utilisation de l'appareil. Respecter tous les codes locaux lors de l'utilisation de l'appareil.

MISE EN MARCHÉ

1. Respecter toutes les instructions d'installation, de ventilation et de sécurité.
2. Placer l'appareil sur une surface stable et plane. S'assurer de l'absence de forts courants d'air à l'avant ou l'arrière de l'appareil.
3. Brancher le cordon d'alimentation sur un cordon prolongateur à trois broches, mis à la terre. Le cordon prolongateur doit être long d'au moins 2 m (6 pi) et homologué UL/CGA.

Spécifications de calibre de fils du cordon prolongateur

Jusqu'à 15 m (50 pi) de long, fils de calibre 18 AWG

De 16 à 30 m (51 à 100 pi), fils de calibre 16 AWG

De 31 à 60 m (101 à 200 pi), fils de calibre 14 AWG

4. Brancher le cordon prolongateur sur une prise secteur 120 volts/60 hertz à 3 broches, mise à la terre.
5. Ouvrir le(s) robinet(s) de la (des) bouteille(s) de propane lentement. **Remarque** : Si le robinet n'est pas ouvert lentement, la soupape de sûreté de la bouteille coupe l'arrivée du gaz. Le cas échéant, refermer le robinet et essayer de nouveau.
6. Mettre l'interrupteur marche/arrêt en position de MARCHE. L'appareil se met en marche dans les 20 secondes. **Remarque** : Si l'appareil ne se met pas en marche, mettre l'interrupteur marche/arrêt en position d'ARRÊT. Attendre dix secondes pour permettre au système de sécurité de se réarmer, puis essayer de nouveau.

ARRÊT DE L'APPAREIL

1. Bien fermer le(s) robinet(s) de la (des) bouteille(s) de propane. Laisser à l'appareil le temps de brûler le combustible restant dans le flexible.
2. Attendre quelques secondes que le gaz se trouvant dans les flexibles d'alimentation soit brûlé.
3. Mettre l'interrupteur marche/arrêt en position d'ARRÊT.
4. Débrancher l'appareil.

REMISAGE

⚠ ATTENTION: Débrancher l'appareil de la (des) bouteille(s) de propane.

1. Remiser la (les) bouteille(s) de propane en toute sécurité. Voir le chapitre 5 de *Standard for Storage and Handling of Liquefied Petroleum Gas, ANSI/NFPA 58* et/ou *Natural Gas Installation Code CAN/CGA B149*. 2. Respecter tous les codes locaux.
2. Installer les capuchons en plastique sur les raccords en laiton des connecteurs de l'arrivée du gaz et de l'ensemble flexible/détendeur.
3. Remiser les bouteilles dans un endroit sec, propre et sûr. Ne pas ranger l'ensemble flexible/détendeur dans la chambre de combustion de l'appareil.
4. Lors de la sortie du remisage, toujours inspecter l'intérieur de l'appareil. Les insectes et petits animaux peuvent placer des matériaux étrangers à l'intérieur de l'appareil. Veiller à ce que l'intérieur de l'appareil soit toujours exempt de combustible et de matériaux étrangers.

ENTRETIEN

⚠ AVERTISSEMENT: Ne jamais procéder à l'entretien ou à la réparation de l'appareil lorsqu'il est branché sur le secteur, raccordé à la bouteille de gaz, en fonctionnement ou chaud pour éviter les risques de brûlures graves ou de choc électrique.

1. Maintenir l'appareil propre. Le nettoyer annuellement ou selon le besoin pour le débarrasser de la poussière et des débris. Si l'appareil est poussiéreux ou sale, le nettoyer avec un chiffon humide.
2. Inspecter l'appareil avant chaque usage. Vérifier l'absence de fuites aux branchements. Enduire tous les raccords d'eau savonneuse. La formation de bulles indique une fuite. Réparer immédiatement toute fuite.
3. Inspecter l'ensemble flexible/détendeur avant chaque usage. Si le flexible est très usé ou coupé, le remplacer.
4. Faire inspecter l'appareil chaque année par un service qualifié.
5. Veiller à ce que l'intérieur de l'appareil soit exempt de combustible et matériaux étrangers.

PROGRAMME D'ENTRETIEN PRÉVENTIF

⚠ AVERTISSEMENT: Ne jamais procéder à l'entretien ou à la réparation de l'appareil lorsqu'il est branché sur le secteur, raccordé à la bouteille de gaz, en fonctionnement ou chaud pour éviter les risques de brûlures graves ou de choc électrique.

Pièce	Fréquence	Procédure
Ventilateur	Nettoyer toutes les 500 heures de fonctionnement ou selon le besoin	Ventilateur, page 7

PROCÉDURES D'ENTRETIEN

⚠ AVERTISSEMENT: Ne jamais procéder à l'entretien ou à la réparation de l'appareil lorsqu'il est branché sur le secteur, raccordé à la bouteille de gaz, en fonctionnement ou chaud pour éviter les risques de brûlures graves ou de choc électrique.

DÉPOSE DE LA MOITIÉ SUPÉRIEURE DU CORPS

1. Retirer les vis de chaque côté de l'appareil au moyen d'une clé à douille de 5/16. Ces vis assujettissent la moitié supérieure du corps de l'appareil sur la moitié inférieure.
2. Retirer la moitié supérieure en la soulevant ou en la faisant glisser.
3. Retirer la grille du ventilateur.

VENTILATEUR

IMPORTANT : Retirer le ventilateur de l'arbre moteur avant de sortir le moteur de l'appareil. Le poids du moteur reposant sur le ventilateur pourrait fausser le pas des pales.

1. Retirer la moitié supérieure du corps (voir ci-dessus).
2. Desserrer la vis d'arrêt fixant le ventilateur sur l'arbre moteur au moyen d'une clé hexagonale de 1/8.
3. Retirer le ventilateur de l'arbre.
4. Nettoyer le ventilateur avec un chiffon imbibé de kérosène ou de solvant.
5. Sécher soigneusement le ventilateur.
6. Remettre le ventilateur en place sur l'arbre moteur. Veiller à ce que la vis d'arrêt touche l'arrière du méplat de l'arbre (voir la figure 8).
7. Placer la vis d'arrêt sur le méplat de l'arbre et la serrer à 4,5 à 5,6 N•m (40 à 50 lb-po).
8. Remettre la grille du ventilateur et la moitié supérieure du corps en place.

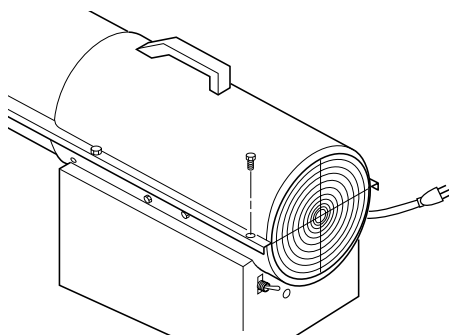


Figure 5 - Dépose de la moitié supérieure du corps

ALLUMEUR

1. S'assurer que l'écart entre l'électrode de l'allumeur et la buse du brûleur est de 3,3 à 3,8 mm (0,13 à 0,15 po). Accéder à l'électrode par l'intérieur de la chambre de combustion. L'électrode ne requiert aucun autre entretien.

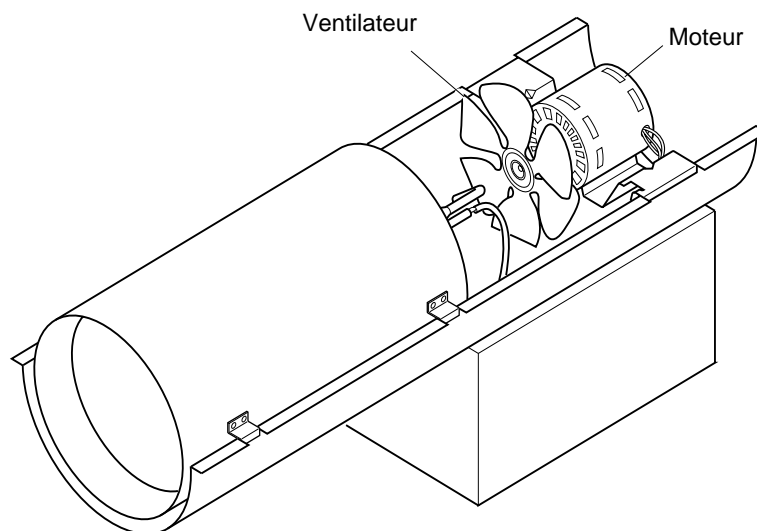


Figure 6 - Dépose du ventilateur

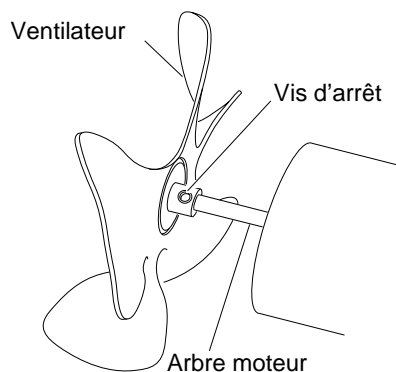


Figure 7 - Emplacement du ventilateur, de l'arbre moteur et de la vis d'arrêt

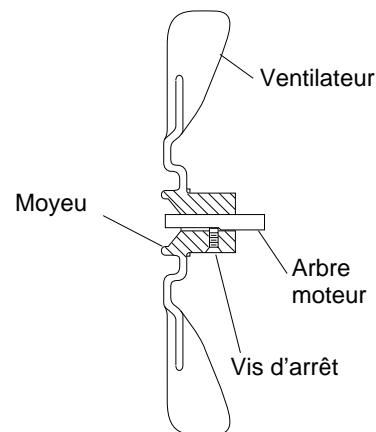


Figure 8 - Vue en coupe du ventilateur

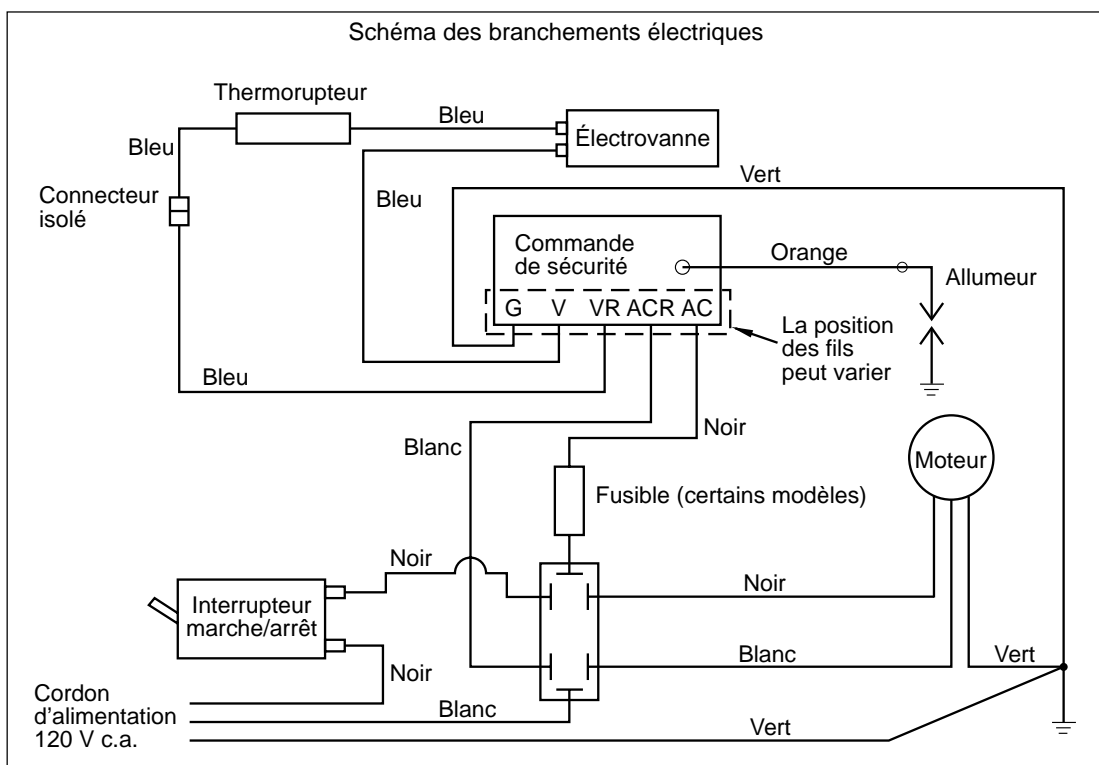
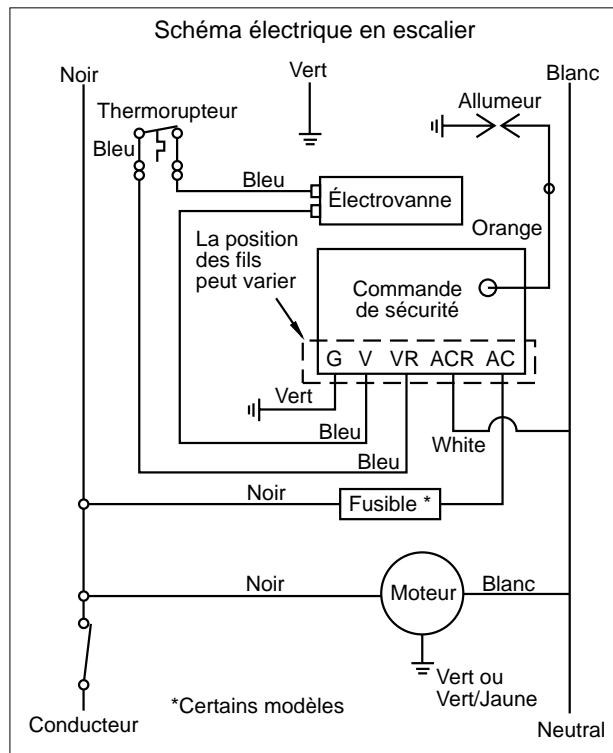
RCLP155B

APPAREIL DE CHAUFFAGE AU PROPANE

CARACTÉRISTIQUES

Rendement (BTU/hr)	150,000
Combustible	Vapeur de propane seulement
Consommation en combustible	
Litres (gallons)/heure	6 (1,6)
Kg (livres)/heure	26,4 (7,0)
Pression d'alimentation au détendeur	
Minimum (pour le réglage du débit d'entrée)	69 kPa (10 psi)
Maximum	Pression de la bouteille
Pression de sortie du détendeur (réglée en usine)	31,8 cm (12,5 po) de colonne d'eau
Pression au collecteur	24,9 cm (9,8 po) de colonne d'eau
Débit d'air chaud m ³ /min (pi ³ /min)	15,6 (550)
Moteur	3430 tr/min, 1/8 HP
Alimentation électrique	120 volts/60 hertz
Intensité	2,2 A
Allumage	Étincelle directe, commandé par interrupteur sur
Écartement de l'allumeur	3,3/3,8 mm (0,13/0,15 po)
Poids	
Appareil	11 kg (24 lb)
Expédition	16 kg (35 lb)
Dimensions - L x l x H cm (po)	92,7 x 36,8 x 50,8 (36 1/4 x 14 1/2 x 20)

SCHÉMAS DE CÂBLAGE



ACCESSOIRES

Acheter les accessoires et pièces de rechange auprès du concessionnaire ou du centre de réparations local. Si le concessionnaire ou centre de réparations ne peut fournir un accessoire ou pièce de rechange, appeler le service des pièces de rechange de DESA Industries au 1-905-826-8010. Écrire aussi à l'adresse indiquée au dos du manuel.

DÉTENDEUR - LPA2100

ENSEMBLE DÉTENDEUR ET FLEXIBLE - LPA3070

CONNECTEUR POUR PROPANE - LPA4020

Adaptateur POL avec soupape de sûreté

THERMOSTAT - HA1210

- Améliore la consommation en combustible
- Aucune installation nécessaire
- Se branche sur une prise secteur 120 V standard

SERVICE TECHNIQUE

Pour toutes questions concernant cet appareil de chauffage, contacter le service technique de DESA International au 1-800-323-5190.

Vous êtes invités à visiter le site web du service technique de DESA International à www.desatech.com.

PIÈCES DÉTACHÉES

⚠ AVERTISSEMENT : Utiliser exclusivement des pièces de rechange d'origine. Cet appareil ne peut utiliser que des pièces spécialement conçues. Ne pas utiliser des substituts ou des pièces génériques. L'usage de pièces incorrectes peut causer des blessures graves ou mortelles ou entraîner l'annulation de la garantie.

PIÈCES SOUS GARANTIE

Contactez les concessionnaires agréés de ce produit. Si les pièces de rechange d'origine ne sont pas disponibles chez les concessionnaires agréés, appelez DESA Industries au 1-905-826-8010, et être prêt à fournir :

- Nom
- Adresse
- Numéro de modèle de l'appareil
- Description du problème
- Date d'achat

Dans la plupart des cas, l'acheteur devra retourner la pièce défectueuse à l'usine.

PIÈCES NON COUVERTES PAR LA GARANTIE

Contactez les concessionnaires agréés de ce produit. Si les pièces de rechange d'origine ne sont pas disponibles chez les concessionnaires agréés, appelez DESA Industries au 1-905-826-8010, et être prêt à fournir :

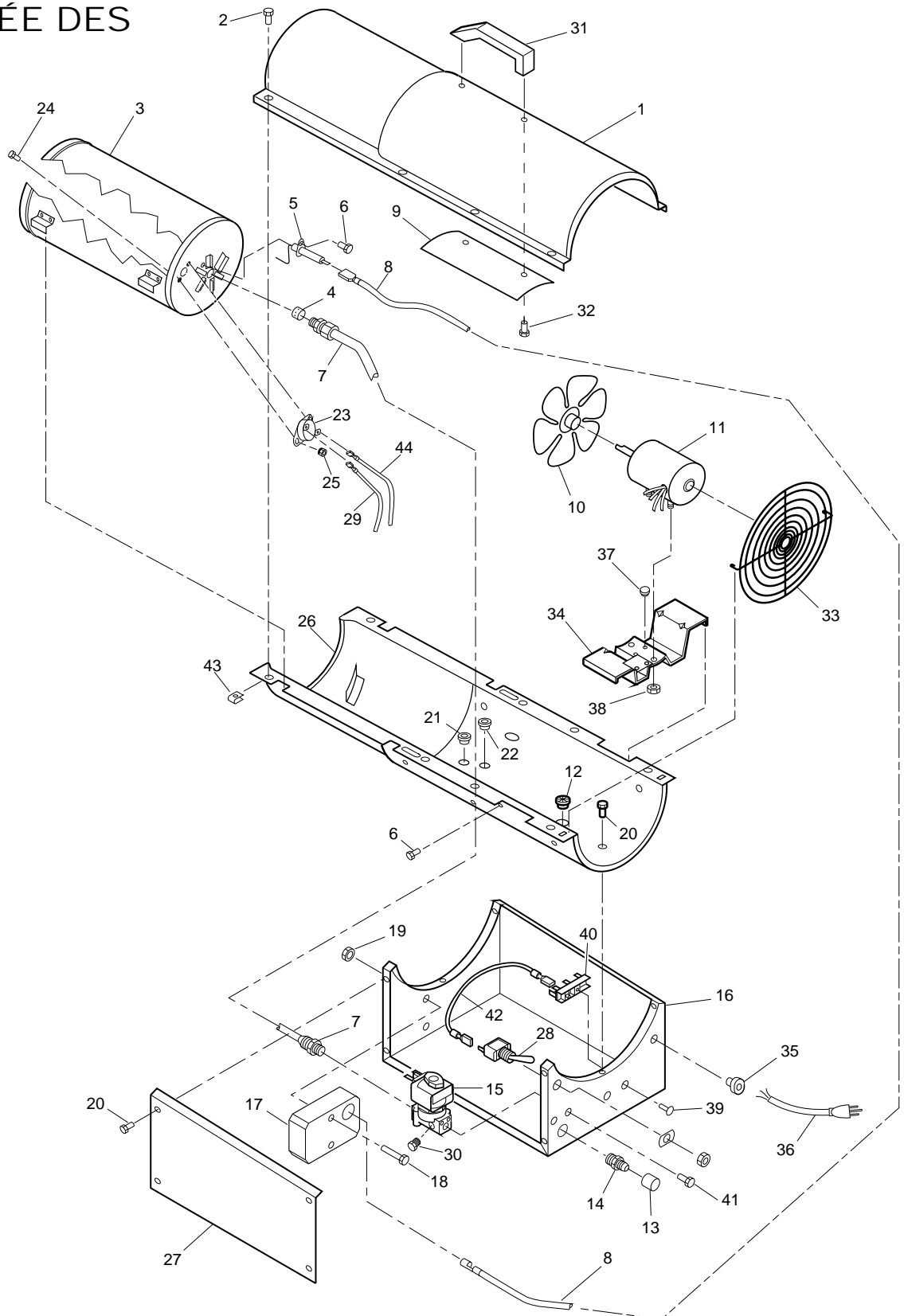
- Numéro de modèle de l'appareil
- Numéro de référence de la pièce

RCLP155B

APPAREIL DE CHAUFFAGE AU PROPANE

VUE ÉCLATÉE DES PIÈCES

RCLP155B



MANUEL D'UTILISATION

LISTE DES PIÈCES

Cette liste est celle des pièces remplaçables de l'appareil de chauffage. Lors de la commande de pièces, suivre les instructions de la rubrique *Pièces détachées*, à la page 9 de ce manuel.

RCLP155B

PIÈCE	N° DE RÉF	DESCRIPTION	QTÉ	PIÈCE	N° DE RÉF	DESCRIPTION	QTÉ
1	098511-116	Moitié supérieure du corps, modèle RCLP155B	1	30	098276-01	Bouchon hexagonal 1/8 NPTF	1
2	100647-01	Vis no. 10-16 x 1/2	8	31	M51104-01	Poignée	2
3	098512-35	Kit de chambre de combustion	1	32	M11084-29	Vis no. 10-16 x 3/4	2
4	099138-01	Buse	1	33	097964-03AA	Grille de ventilateur	1
5	099133-01	Allumeur	1	34	101206-01	Support moteur et relais	1
6	M11084-38	Vis no. 8-18 x 3/8	2	35	M11143-1	Soulagement de traction	1
7	099334-01	Kit de tube de combustible	1	36	098219-17	Cordon d'alimentation	1
8	097806-02	Câble d'allumeur	1	37	M50631	Amortisseur en caoutchouc	2
9	M51108-01	Écran thermique	1	38	NTC-4C	Écrou de blocage	2
10	M51153-01	Ventilateur	1	39	099157-01	Rivet expansible de 3/16	1
11	103404-01	Moteur	1	40	099125-01	Bornier	1
12	097776-01	Passe-câble universel	1	41	M12461-25	Vis n° 10 -32x1/4	2
13	078978-01	Capuchon	1	42	M9900-170	Fil	1
14	M51572-02	Connecteur mâle	1	43	M11271-8	Écrou enclipsable	8
15	099132-01	Électrovanne	1	44	101480-02	Fil haute température	1
16	097966-04AA	Base	1	PIÈCES DISPONIBLES PAS ILLUSTRÉES			
17	M51605-02	Commande de générateur d'étincelles	1		097941-23	Autocollant de marque RCLP155B	2
18	M12461-7	Vis no. 6-32 x 1	2		079663-01	Autocollant d'avertissement propane liquide (anglais)	1
19	099432-01	Écrou no. 6-32	2		079663-02	Autocollant d'avertissement propane liquide (français)	1
20	M11084-27	Vis no. 10-16 x 1/2	10		099164-04	Autocollant de câblage	1
21	M50104-05	Passe-câble	1		100176-02	Autocollant d'avertissement	1
22	M50104-01	Passe-câble	1		100865-03	Autocollant de fonctionnement	1
23	101732-01	Thermorupteur	1		LPA3070	Ensemble détendeur et flexible	1
24	097968-05	Vis no. 4/40 x 12	2		LPA1010	Flexible de 3 m (10 pi)	1
25	097384-04	Écrou no. 4-40 à rondelle captive	2		LPA2100	Détendeur	1
26	098511-131	Moitié inférieure du corps, modèle RCLP155B	1		LPA4020	Connecteur de gaz	1
27	097965-02AA	Couvercle latéral	1		HA1210	Thermostat	1
28	098226-01	Interrupteur marche/arrêt	1				
29	101480-03	Fil haute température	1				

GARANTIE ET RÉPARATIONS

CONSERVER CETTE GARANTIE

GARANTIE LIMITÉE

DESA Industries garantit ce produit et toutes ses pièces contre tous vices de matériaux et de fabrication, pour une période d'un (1) an, à compter de la date d'achat originale, sous réserve que l'appareil soit utilisé et entretenu conformément aux instructions. Cette garantie ne couvre que l'acheteur original, qui devra présenter une preuve d'achat.

Cette garantie ne couvre que le coût des pièces et de la main-d'oeuvre nécessaires à la remise en état de fonctionnement correct du produit. Les frais d'expédition et autres concernant les pièces ne sont pas remboursables aux termes de cette garantie.

La garantie ne peut être obtenue qu'auprès des revendeurs et centres de réparations agréés.

Cette garantie ne couvre pas les défaillances résultant d'un usage incorrect ou abusif, de négligence, d'accidents, de manque d'entretien, d'usure normale, de modifications de toute nature, de contamination du carburant, d'usage de pièces incorrectes pour les réparations, ou de réparations par toute autre entité que le concessionnaire ou le centre de réparations agréé. Les entretiens de routine sont la responsabilité du propriétaire.

CETTE GARANTIE EXPRESSE REMPLACE TOUTE AUTRE GARANTIE, EXPRESSE OU IMPLICITE, Y COMPRIS LES GARANTIES DE VALEUR MARCHANDE OU D'ADÉQUATION À UN USAGE PARTICULIER.

DESA Industries décline toute responsabilité pour les dommages directs ou indirects. Certains états ou provinces ne permettant pas l'exclusion ou la limitation des dommages directs ou indirects, ces exclusions et limitations peuvent ne pas toujours être applicables. Cette garantie donne à l'acheteur des droits juridiques spécifiques. Ce dernier peut également bénéficier d'autres droits qui varient selon les états et provinces.

Cette garantie ne couvre pas la décoloration causée par l'utilisation de l'appareil de chauffage. Nous nous réservons le droit d'amender les présentes spécifications à tout moment, sans préavis. La seule garantie en vigueur est notre garantie écrite standard. Nous ne faisons aucune autre garantie, qu'elle soit expresse ou implicite.

RÉPARATIONS SOUS GARANTIE

Si l'appareil doit être réparé, le retourner au centre de réparations agréé le plus proche. L'appareil doit être accompagné d'une preuve d'achat. L'appareil sera inspecté. Un problème peut être causé par un défaut de matériaux ou de fabrication. Dans ce cas, DESA Industries s'engage à réparer ou à remplacer gratuitement l'appareil.

SERVICE DE RÉPARATIONS

Retourner l'appareil au centre de réparations agréé le plus proche. Les réparations non couvertes par la garantie seront facturées au tarif standard. Chaque centre de réparations est une entreprise indépendante. Nous nous réservons le droit d'amender les présentes spécifications à tout moment, sans préavis.

Modèle _____

N° de série _____

Date d'achat _____

DESA Industries of Canada, Inc.

2220 Argentia Road, Unit #4

Mississauga, Ontario

L5N2K7

905-826-8010

Fax: 905-826-8236

www.desatech.com



103909 01

NOT A UPC

103909-01
Rév. B
04/99

Free Manuals Download Website

<http://myh66.com>

<http://usermanuals.us>

<http://www.somanuals.com>

<http://www.4manuals.cc>

<http://www.manual-lib.com>

<http://www.404manual.com>

<http://www.luxmanual.com>

<http://aubethermostatmanual.com>

Golf course search by state

<http://golfingnear.com>

Email search by domain

<http://emailbydomain.com>

Auto manuals search

<http://auto.somanuals.com>

TV manuals search

<http://tv.somanuals.com>