

INSTRUCTIVO DE OPERACIÓN, CENTROS DE SERVICIO Y
POLIZA DE GARANTÍA. ADVERTENCIA: LEÁSE ESTE
INSTRUCTIVO ANTES DE USAR EL PRODUCTO.

INSTRUCTION MANUAL
GUIDE D'UTILISATION
MANUAL DE INSTRUCCIONES

DEWALT®

DW100/DW101/DW106
3/8" (10mm)V.S.R. Drill
Perceuse de 10 mm (3/8 po) à régulateur de vitesse et inverseur
de marche
Taladro de 10mm (3/8") V.V.R.

DeWALT Industrial Tool Co., 701 East Joppa Road, Baltimore, MD 21286
Printed in U.S.A. (JUN00-CD-1) Form No. 385907-01 DW100 Copyright © 1998,2000

IF YOU HAVE ANY QUESTIONS OR COMMENTS ABOUT THIS OR ANY DEWALT TOOL,
CALL US TOLL FREE AT:

1-800-4-DEWALT (1-800-433-9258)

General Safety Instructions for All Tools

⚠ WARNING! Read and understand all instructions. Failure to follow all instructions listed below, may result in electric shock, fire and/or serious personal injury.

SAVE THESE INSTRUCTIONS

WORK AREA

- **Keep your work area clean and well lit.** Cluttered benches and dark areas invite accidents.
- **Do not operate power tools in explosive atmospheres, such as in the presence of flammable liquids, gases, or dust.** Power tools create sparks which may ignite the dust or fumes.
- **Keep bystanders, children, and visitors away while operating a power tool.** Distractions can cause you to lose control.

ELECTRICAL SAFETY

- **Double insulated tools are equipped with a polarized plug (one blade is wider than the other.) This plug will fit in a polarized outlet only one way. If the plug does not fit fully in the outlet, reverse the plug. If it still does not fit, contact a qualified electrician to install a polarized outlet. Do not change the plug in any way.** Double insulation eliminates the need for the three wire grounded power cord and grounded power supply system.
- **Avoid body contact with grounded surfaces such as pipes, radiators, ranges and refrigerators.** There is an increased risk of electric shock if your body is grounded.
- **Don't expose power tools to rain or wet conditions.** Water entering a power tool will increase the risk of electric shock.
- **Do not abuse the cord. Never use the cord to carry the tools or pull the plug from an outlet. Keep cord away from heat, oil, sharp edges or moving parts. Replace damaged cords immediately.** Damaged cords increase the risk of electric shock.
- **When operating a power tool outside, use an outdoor extension cord marked "W-A" or "W."** These cords are rated for outdoor use and reduce the risk of electric shock.

Volts		Total Length of Cord in Feet			
120V		0-25	26-50	51-100	101-150
240V		0-50	51-100	101-200	201-300
Ampere Rating		AWG			
More Than	Not more Than				
0 -	6	18	16	16	14
6 -	10	18	16	14	12
10 -	12	16	16	14	12
12 -	16	14	12	Not Recommended	

PERSONAL SAFETY

- **Stay alert, watch what you are doing and use common sense when operating a power tool. Do not use tool while tired or under the influence of drugs, alcohol, or medication.** A moment of inattention while operating power tools may result in serious personal injury.
- **Dress properly. Do not wear loose clothing or jewelry. Contain long hair. Keep your hair, clothing, and gloves away from moving parts.** Loose clothes, jewelry, or long hair can be caught in moving parts.
- **Avoid accidental starting. Be sure switch is off before plugging in.** Carrying tools with your finger on the switch or plugging in tools that have the switch on invites accidents.
- **Remove adjusting keys or wrenches before turning the tool on.** A wrench or a key that is left attached to a rotating part of the tool may result in personal injury.
- **Do not overreach. Keep proper footing and balance at all times.** Proper footing and bal-

ance enables better control of the tool in unexpected situations.

- **Use safety equipment. Always wear eye protection.** Dust mask, non-skid safety shoes, hard hat, or hearing protection must be used for appropriate conditions.

TOOL USE AND CARE

- **Use clamps or other practical way to secure and support the workpiece to a stable platform.** Holding the work by hand or against your body is unstable and may lead to loss of control.
- **Do not force tool. Use the correct tool for your application.** The correct tool will do the job better and safer at the rate for which it is designed.
- **Do not use tool if switch does not turn it on or off.** Any tool that cannot be controlled with the switch is dangerous and must be repaired.
- **Disconnect the plug from the power source before making any adjustments, changing accessories, or storing the tool.** Such preventative safety measures reduce the risk of starting the tool accidentally.
- **Store idle tools out of reach of children and other untrained persons.** Tools are dangerous in the hands of untrained users.
- **Maintain tools with care. Keep cutting tools sharp and clean.** Properly maintained tools, with sharp cutting edges are less likely to bind and are easier to control.
- **Check for misalignment or binding of moving parts, breakage of parts, and any other condition that may affect the tools operation. If damaged, have the tool serviced before using.** Many accidents are caused by poorly maintained tools.
- **Use only accessories that are recommended by the manufacturer for your model.** Accessories that may be suitable for one tool, may become hazardous when used on another tool.

SERVICE

- **Tool service must be performed only by qualified repair personnel.** Service or maintenance performed by unqualified personnel could result in a risk of injury.
- **When servicing a tool, use only identical replacement parts. Follow instructions in the Maintenance section of this manual.** Use of unauthorized parts or failure to follow Maintenance Instructions may create a risk of electric shock or injury.

Additional Specific Safety Instructions for Drills

- **Hold tool by insulated gripping surfaces when performing an operation where the cutting tools may contact hidden wiring or its own cord.** Contact with a "live" wire will make exposed metal parts of the tool "live" and shock the operator.
- **Wear safety goggles or other eye protection.** Hammering and drilling operations cause chips to fly. Flying particles can cause permanent eye damage.
- **Keep handles dry, clean, free from oil and grease. It is recommended to use rubber gloves.** This will enable better control of the tool.
- **Do not overreach while operating the tool.** Maintain a balanced working stance at all times. When necessary, use only properly positioned, safe, platforms and scaffolding. **WORK SAFE.**
- **⚠ CAUTION: DO NOT TOUCH ANY METAL PARTS OF THE TOOL when drilling or driving into walls, floors or wherever live electrical wires may be encountered!** Hold the tool only by insulated grasping surfaces to prevent electric shock if you drill or drive into a live wire.

⚠ WARNING: Some dust created by power sanding, sawing, grinding, drilling, and other construction activities contains chemicals known to cause cancer, birth defects or other reproductive harm. Some examples of these chemicals are:

- lead from lead-based paints,
- crystalline silica from bricks and cement and other masonry products, and
- arsenic and chromium from chemically-treated lumber (CCA).

Your risk from these exposures varies, depending on how often you do this type of work. To reduce your exposure to these chemicals: work in a well ventilated area, and work with approved safety equipment, such as those dust masks that are specially designed to filter out microscopic particles.

- The label on your tool may include the following symbols.

Vvolts
Aamperes
Hzhertz
Wwatts
minminutes
~alternating current
---direct current
n _ono load speed
<input type="checkbox"/>Class II Construction
.../minrevolutions or reciprocation per minute
<input type="checkbox"/>earthing terminal
⚠safety alert symbol

Motor Brushes

DeWALT uses an advanced brush system which automatically stops the drill when the brushes wear out. This prevents serious damage to the motor.

Switches

To start drill, depress trigger switch; to stop drill, release trigger. To lock trigger in "ON" position for continuous operation, depress trigger and push up locking button "A" Figure 1, then gently release trigger. To release locking mechanism, depress trigger fully, then release it. Before using the tool (each time) be sure that the locking button release mechanism is working freely.

Do not lock the switch "ON" when drilling by hand so that you can instantly release the trigger switch if the bit binds in the hole.

The locking button is for use only when the drill is mounted in a drill press stand or otherwise held stationary.

Be sure to release the locking button before disconnecting the plug from the power supply. Failure to do so will cause the tool to start immediately the next time it is plugged in. Damage or injury could result.

THE VARIABLE SPEED TRIGGER SWITCH permits speed control—the farther the trigger is depressed, the higher the speed of the drill.

NOTE: Use lower speeds for starting holes without a center punch, drilling in metal or plastics, driving screws or drilling ceramics. Higher speeds are better for drilling wood and composition boards, and for using abrasive and polishing accessories.

THE REVERSING LEVER is used for withdrawing bits from tight holes and removing screws. It is located above the trigger switch (B)Figure 2). To reverse the motor, release the trigger switch FIRST and then push the lever to the right. After any reversing operations, return lever to forward position.

Operation

DRILLING

1. Always unplug the drill when attaching or changing bits or accessories.
2. Use sharp drill bits only. For WOOD, use twist drill bits, spade bits, power auger bits, or hole saws. For METAL, use high speed steel twist drill bits or hole saws. For MASONRY, such as brick, cement, cinder block, etc., use carbide-tipped bits.
3. Be sure the material to be drilled is anchored or clamped firmly. If drilling thin material, use a wood "back-up" block to prevent damage to the material.
4. Always apply pressure in a straight line with the bit. Use enough pressure to keep drill biting, but do not push hard enough to stall the motor or deflect the bit.
5. Hold tool firmly to control the twisting action of the drill.
6. **IF DRILL STALLS,** it is usually because it is being overloaded or improperly used. **RELEASE TRIGGER IMMEDIATELY,** remove drill bit from work, and determine cause of stalling. **DO NOT CLICK TRIGGER OFF AND ON IN AN ATTEMPT TO START A STALLED DRILL—THIS CAN DAMAGE THE DRILL.**
7. To minimize stalling or breaking through the material, reduce pressure on drill and ease the bit through the last fractional part of the hole.
8. Keep the motor running when pulling the bit back out of a drilled hole. This will help prevent jamming.
9. With variable speed drills there is no need to center punch the point to be drilled. Use a

slow speed to start the hole and accelerate by squeezing the trigger harder when the hole is deep enough to drill without the bit skipping out.

Drilling in Metal

Use a cutting lubricant when drilling metals. The exceptions are cast iron and brass which should be drilled dry. The cutting lubricants that work best are sulfurized cutting oil or lard oil; bacon-grease will also serve the purpose.

Drilling in Wood

Holes in wood can be made with the same twist drills used for metal. These bits may over-heat unless pulled out frequently to clear chips from the flutes. For larger holes, use power drill wood bits. Work that is apt to splinter should be backed up with a block of wood.

Drilling in Masonry

Use carbide tipped masonry bits at low speeds. Keep even force on the drill but not so much that you crack the brittle materials. A smooth, even flow of dust indicates the proper drilling rate.

Bubble Level

Your drill is equipped with a bubble level that assists you in drilling level holes.

For horizontal drilling, tilt the drill up or down as required so that the bubble floats in the center of the parallel lines drawn on the glass. When the bubble is centered between the lines, as shown in Figure 3A, the drill is level.

For vertical drilling, align the drill so that the bubble floats in the center of the bull's-eye, as shown in Figure 3B.

To assure accuracy, first place a level on your work piece and position it so that it is level. Then, when the drill reads level, the two will be aligned. (Any bubble level can only indicate level to the earth's surface).

NOTE: The level is filled with mineral oil that may cause minor skin irritation when contacted. If the level breaks and this fluid gets on your skin, rinse thoroughly with water. If any liquid gets in your eyes, rinse thoroughly with water and call a physician immediately.

Keyless Chuck (DW106)

Your tool features a keyless chuck for greater convenience. To insert a drill bit or other accessory, follow the steps listed below.

1. Unplug the drill.
2. Grasp the rear half of the chuck with one hand and use your other hand to rotate the front half counterclockwise, as shown in Figure 4. Rotate far enough so that the chuck opens sufficiently to accept the desired accessory.
3. Insert the bit or other accessory about 3/4" into the chuck and tighten securely by holding the rear half of the chuck and rotating the front portion in the clockwise direction.

To release the accessory, repeat step 2 listed above.

⚠ WARNING: Do not attempt to tighten drill bits (or any other accessory) by gripping the front part of the chuck and turning the tool on. Damage to the chuck and personal injury may result.

Keyless Chuck Removal

Tighten the chuck around the shorter end of a hex key (not supplied) of 1/4" or greater size. Using a soft hammer or piece of wood, strike the longer end in the counterclockwise direction, as shown in Figure 5.

This will loosen the chuck so that it can be unscrewed by hand.

Chuck Installation

Screw the chuck on by hand as far as it will go. Tighten the chuck around the shorter end of a 1/4" or larger hex key (not supplied) strike the longer end in the clockwise direction with a soft hammer, as shown in Figure 6.

Keyed Chuck (DW100, DW101)

Open chuck jaws by turning collar with fingers and insert shank of bit about 3/4" into chuck. Tighten chuck collar by hand. Place chuck key in each of the three holes, and tighten in clockwise direction. It's important to tighten chuck with all three holes. To release bit, turn chuck counter clockwise in just one hole, then loosen the chuck by hand.

Removal of Keyed Chuck

Place chuck key in any one of the three holes in the chuck, as shown in Figure 7. Strike the key sharply in the counterclockwise direction (when viewed from the front of the tool). This will loosen the chuck so that it can be removed by hand.

Keyed Chuck Installation

Screw the chuck on by hand as far as it will go. Insert the chuck key into one of the three holes and strike it in the clockwise direction with a soft hammer, as shown in Figure 8.

Lubrication

When the tool is taken apart for motor brush replacement a small amount of grease should be added (or redistributed from that remaining in housing) to the gears.

The ball bearings used in this tool are lubricated during manufacture and require no lubrication.

Important

To assure product SAFETY and RELIABILITY, repairs, maintenance, and adjustment should be performed by DEWALT certified service centers or other qualified service organizations. These service organizations service DEWALT tools always using DEWALT replacement parts.

Accessories

Recommended accessories for use with your tool are available at extra cost from your local service center.

A complete listing of service centers is packed with your tool.

If you need assistance in locating any accessory, please contact DEWALT Industrial Tool Co., 701 East Joppa Road, Baltimore, MD 21286 or call 1-800-4-DEWALT (1-800-433-9258).

⚠ CAUTION: The use of any other accessory might be hazardous. For safety in use, the following accessories should be used only in sizes up to the maximums shown in the table below.

Maximum Recommended Capacities

DRILL CAPACITY	3/8"
R.P.M.	0-2500
BITS, METAL DRILLING	3/8"
WOOD, FLAT BORING	1"
BITS, MASONRY DRILLING	1/2"
HOLE SAWS	1-1/8"

ACCESSORY MUST BE RATED FOR USE AT SPEED EQUAL TO OR HIGHER THAN NAMEPLATE R.P.M. OF TOOL WITH WHICH IT IS BEING USED.

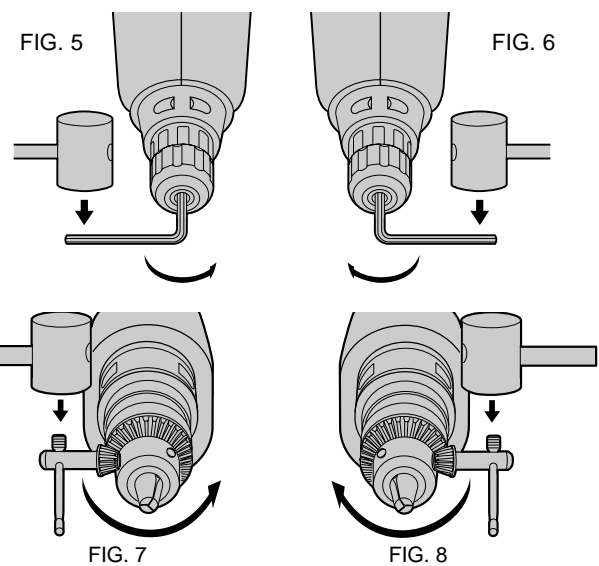
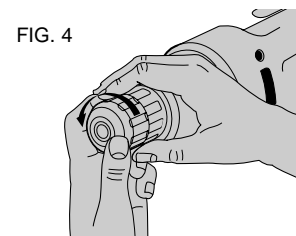
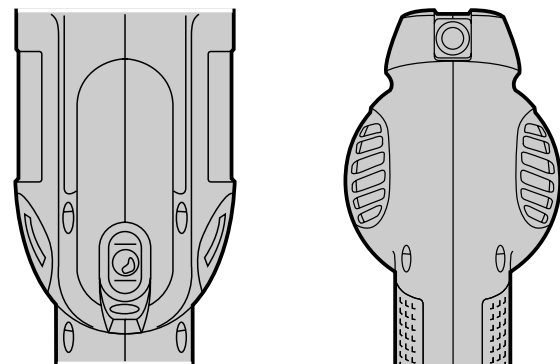
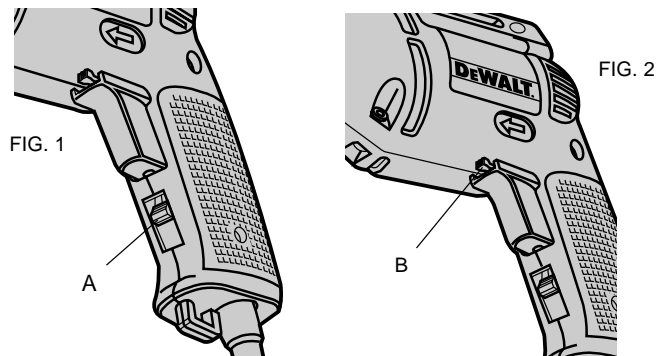
WIRE WHEEL BRUSHES	4" Diameter Maximum
WIRE CUP BRUSHES	3" Diameter Maximum
BUFFING WHEELS	3" Diameter Maximum
RUBBER BACKING PADS	4-5/8" Diameter Maximum

Important

To assure product SAFETY and RELIABILITY, repairs, maintenance and adjustment (including brush inspection and replacement) should be performed by authorized service centers or other qualified service organizations, always using identical replacement parts.

Full Warranty

DEWALT heavy duty industrial tools are warranted for one year from date of purchase. We will repair, without charge, any defects due to faulty materials or workmanship. For warranty repair information, call 1-800-4-DEWALT. This warranty does not apply to accessories or damage caused where repairs have been made or attempted by others. This warranty gives you specific legal rights and you may have other rights which vary in certain states or provinces.



In addition to the warranty, DEWALT tools are covered by our:

30 DAY NO RISK SATISFACTION GUARANTEE

If you are not completely satisfied with the performance of your DEWALT heavy duty industrial tool, simply return it to the participating seller within 30 days for a full refund. Please return the complete unit, transportation prepaid.

POUR TOUT RENSEIGNEMENT SUPPLÉMENTAIRE SUR CET OUTIL OU TOUT AUTRE OUTIL DEWALT, COMPOSER SANS FRAIS LE NUMÉRO:

1 800 4-DEWALT (1 800 433-9258)

RÈGLES DE SÉCURITÉ GÉNÉRALES

⚠ AVERTISSEMENT! Vous devez lire et comprendre toutes les instructions. Le non-respect, même partiel, des instructions ci-après entraîne un risque de choc électrique, d'incendie et/ou de blessures graves.

CONSERVEZ CES INSTRUCTIONS.

AIRE DE TRAVAIL

- **Veillez à ce que l'aire de travail soit propre et bien éclairée.** Le désordre et le manque de lumière favorisent les accidents.
- **N'utilisez pas d'outils électriques dans une atmosphère explosive, par exemple en présence de liquides, de gaz ou de poussières inflammables.** Les outils électriques créent des étincelles qui pourraient enflammer les poussières ou les vapeurs.
- **Tenez à distance les curieux, les enfants et les visiteurs pendant que vous travaillez avec un outil électrique.** Ils pourraient vous distraire et vous faire faire une fausse manœuvre.

SÉCURITÉ ÉLECTRIQUE

- **Les outils à double isolation sont équipés d'une fiche polarisée (une des lames est plus large que l'autre), qui ne peut se brancher que d'une seule façon dans une prise polarisée. Ne modifiez pas la fiche de l'outil.** La double isolation élimine le besoin d'un cordon d'alimentation à trois fils avec mise à la terre ainsi que d'une prise de courant mise à la terre.
- **Évitez tout contact corporel avec des surfaces mises à la terre (tuyauterie, radiateurs, cuisinières, réfrigérateurs, etc.).** Le risque de choc électrique est plus grand si votre corps est en contact avec la terre.
- **N'exposez pas les outils électriques à la pluie ou à l'eau.** La présence d'eau dans un outil électrique augmente le risque de choc électrique.
- **Ne maltraitez pas le cordon. Ne transportez pas l'outil par son cordon et ne débranchez pas la fiche en tirant sur le cordon. N'exposez pas le cordon à la chaleur, à des huiles, à des arêtes vives ou à des pièces en mouvement. Remplacez immédiatement un cordon endommagé.** Un cordon endommagé augmente le risque de choc électrique.
- **Lorsque vous utilisez un outil électrique à l'extérieur, employez un prolongateur pour l'extérieur marqué «W-A» ou «W».** Ces cordons sont faits pour être utilisés à l'extérieur et réduisent le risque de choc électrique. S'assurer que le cordon de rallonge est en bon état. Lorsqu'on se sert d'un cordon de rallonge, s'assurer qu'il est de calibre approprié pour la tension nécessaire au fonctionnement de l'outil. L'utilisation d'un cordon de calibre inférieur occasionne une baisse de tension entraînant une perte de puissance et la surchauffe. Le tableau suivant indique le calibre approprié selon la longueur du cordon et les mentions de la plaque signalétique de l'outil. En cas de doute, utiliser un cordon de calibre supérieur. Le chiffre indiquant le calibre est inversement proportionnel au calibre du cordon.

Calibre minimal des cordons de rallonge					
Tension	Longueur totale du cordon en pieds				
120 V	0-25	26-50	51-100	101-150	
240 V	0-50	51-100	101-200	201-300	
Intensité (A)	Calibre moyen de fil (AWG)				
Au moins	Au plus				
0	-	6	18	16	16
6	-	10	18	16	14
10	-	12	16	16	14
12	-	16	14	12	Non recommandé

SÉCURITÉ DES PERSONNES

- **Restez alerte, concentrez-vous sur votre travail et faites preuve de jugement. N'utilisez pas un outil électrique si vous êtes fatigué ou sous l'influence de drogues, d'alcool ou de médicaments.** Un instant d'inattention suffit pour entraîner des blessures graves.
- **Habilitez-vous convenablement. Ne portez ni vêtements flottants ni bijoux. Confinez les cheveux longs. N'approchez jamais les cheveux, les vêtements ou les gants des pièces en mouvement.** Des vêtements flottants, des bijoux ou des cheveux longs risquent d'être happés par des pièces en mouvement.
- **Méfiez-vous d'un démarrage accidentel. Avant de brancher l'outil, assurez-vous que son interrupteur est sur ARRÊT.** Le fait de transporter un outil avec le doigt sur la détente ou de brancher un outil dont l'interrupteur est en position MARCHE peut mener tout droit à un accident.
- **Enlevez les clés de réglage ou de serrage avant de démarrer l'outil.** Une clé laissée dans un pièce tournante de l'outil peut provoquer des blessures.
- **Ne vous penchez pas trop en avant. Maintenez un bon appui et restez en équilibre en tout temps.** Une bonne stabilité vous permet de mieux réagir à une situation inattendue.
- **Utilisez des accessoires de sécurité. Portez toujours des lunettes ou une visière.** Selon les conditions, portez aussi un masque antipoussière, des bottes de sécurité antidérapantes, un casque protecteur et/ou un appareil antibruit.

UTILISATION ET ENTRETIEN DES OUTILS

- **Immobilisez le matériau sur une surface stable au moyen de brides ou de toute autre façon adéquate.** Le fait de tenir la pièce avec la main ou contre votre corps offre un stabilité insuffisante et peut amener un dérapage de l'outil.
- **Ne forcez pas l'outil. Utilisez l'outil approprié à la tâche.** L'outil correct fonctionne mieux et de façon plus sécuritaire. Respectez aussi la vitesse de travail qui lui est propre.
- **N'utilisez pas un outil si son interrupteur est bloqué.** Un outil que vous ne pouvez pas commander par son interrupteur est dangereux et doit être réparé.
- **Débranchez la fiche de l'outil avant d'effectuer un réglage, de changer d'accessoire ou de ranger l'outil.** De telles mesures préventives de sécurité réduisent le risque de démarrage accidentel de l'outil.
- **Rangez les outils hors de la portée des enfants et d'autres personnes inexpérimentées.** Les outils sont dangereux dans les mains d'utilisateurs novices.
- **Prenez soin de bien entretenir les outils. Les outils de coupe doivent être toujours bien affûtés et propres.** Des outils bien entretenus, dont les arêtes sont bien tranchantes, sont moins susceptibles de coincer et plus faciles à diriger.
- **Soyez attentif à tout désalignement ou coincement des pièces en mouvement, à tout bris ou à toute autre condition préjudiciable au bon fonctionnement de l'outil. Si vous constatez qu'un outil est endommagé, faites-le réparer avant de vous en servir.** De nombreux accidents sont causés par des outils en mauvais état.
- **N'utilisez que des accessoires que le fabricant recommande pour votre modèle d'outil.** Certains accessoires peuvent convenir à un outil, mais être dangereux avec autre.

RÉPARATION

- **La réparation des outils électriques doit être confiée à un réparateur qualifié.** L'entretien ou la réparation d'un outil électrique par un amateur peut avoir des conséquences graves.
- **Pour la réparation d'un outil, n'employez que des pièces de rechange d'origine. Suivez les directives données à la section «Réparation» de ce manuel.** L'emploi de pièces non autorisées ou le non-respect des instructions d'entretien peut créer un risque de choc électrique ou de blessures.
- **Tenez l'outil par ses surfaces de prise isolées pendant toute opération où l'outil de coupe pourrait venir en contact avec un câblage dissimulé ou avec son propre cordon.** En cas de contact avec un conducteur sous tension, les pièces métalliques à découvert de l'outil transmettraient un choc électrique à l'utilisateur.

Mesures de sécurité de perceuses additionnelles

- **S'assurer que les poignées sont propres, libres de toute tache d'huile et de graisse.** Il est conseillé de porter des gants en caoutchouc afin d'optimiser la maîtrise de l'outil.
- **Saisir les surfaces isolées de l'outil lorsqu'on s'en sert là où il pourrait y avoir des fils sous tension et lorsqu'il pourrait entrer en contact avec son propre fil.** En cas de contact avec un fil sous tension, les composantes métalliques à découvert de l'outil deviendraient sous tension et l'utilisateur subirait des secousses électriques.
- **Lorsqu'on perce ou on visse dans les murs, les planchers ou tout autre endroit où peuvent se trouver des fils sous tension, NE PAS TOUCHER À TOUT COMPOSANT MÉTALLIQUE DE L'OUTIL.** Ne le saisir que par ses surfaces de prise en plastique afin de se protéger des secousses électriques que provoqueraient le contact du foret ou de la lame avec un fil sous tension.

⚠ **AVERTISSEMENT** : Certains outils, tels que les sableuses électriques, les scies, les meules, les perceuses ou certains autres outils de construction, peuvent soulever de la poussière contenant des produits chimiques susceptibles d'entraîner le cancer, des malformations congénitales ou pouvant être nocifs pour le système reproductif. Parmi ces produits chimiques, on retrouve :

- le plomb dans les peintures à base de plomb;
- la silice cristalline dans les briques et le ciment et autres produits de maçonnerie;
- l'arsenic et le chrome dans le bois de sciage ayant subi un traitement chimique (CCA).

Le risque associé à de telles expositions peut varier selon la fréquence avec laquelle on effectue ces travaux. Pour réduire l'exposition à de tels produits, il faut travailler dans un endroit bien ventilé et utiliser l'équipement de sécurité approprié tel un masque anti-poussières spécialement conçu pour filtrer les particules microscopiques.

- L'étiquette de l'outil peut comporter les symboles suivants.

Vvolts
Aampères
Hzhertz
Wwatts
minminutes
~courant alternatif
====courant continu
n ₀sous vide
☐construction de classe II
/mintours ou courses à la minute
⊕borne de mise à la terre
⚠symbole d'avertissement

Balais du moteur

Les outils DEWALT sont dotés d'un système perfectionné de vérification des balais qui arrête automatiquement l'outil lorsque les balais sont usés afin d'empêcher d'endommager le moteur.

Interrupteurs

Pour mettre la perceuse en marche, enfoncer l'interrupteur à détente; pour la mettre hors circuit, relâcher l'interrupteur à détente. Lorsqu'on veut verrouiller l'interrupteur en marche afin d'obtenir un fonctionnement continu de l'outil, il suffit d'enfoncer l'interrupteur à détente et le bouton de verrouillage (A), illustrés à la figure 1, puis de relâcher lentement l'interrupteur. Pour libérer le mécanisme de verrouillage, appuyer à fond sur l'interrupteur à détente et le relâcher. Toujours s'assurer que le bouton de verrouillage fonctionne bien avant d'utiliser l'outil (chaque fois).

Ne pas verrouiller l'interrupteur en mode de fonctionnement continu lorsqu'on perce à la main de façon à pouvoir relâcher immédiatement la détente si le foret se coince dans le trou.

Utiliser le bouton de verrouillage seulement lorsque la perceuse est immobilisée dans une

presse ou autrement.

Veiller à ce que le bouton de verrouillage soit délogé avant de débrancher l'outil, sinon l'outil se remettra immédiatement en marche la prochaine fois qu'on s'en servira et cela présente des risques de dommages et de blessures.

LE RÉGULATEUR DE VITESSE permet de contrôler la vitesse de l'outil. Plus on enfonce l'interrupteur à détente, plus l'outil fonctionne rapidement.

NOTE : Se servir des basses vitesses pour amorcer des trous sans poinçon ainsi que pour percer les métaux, les plastiques et la céramique, ainsi que pour enfoncer des vis. Les vitesses élevées conviennent mieux au perçage du bois et des panneaux d'agglomérés, ainsi qu'à l'utilisation d'accessoires pour le ponçage et le polissage.

L'INVERSEUR DE MARCHE sert à sortir les vis ou les forets coincés. Il se trouve au-dessus de l'interrupteur à détente (fig. 2). Pour actionner la marche arrière, il faut D'ABORD relâcher l'interrupteur à détente, puis faire glisser l'inverseur de marche vers la droite. Après les travaux en marche arrière, toujours remettre l'inverseur à la marche avant.

Fonctionnement

PERÇAGE

1. Toujours débrancher l'outil lorsqu'on en change les forets ou les accessoires.
2. N'utiliser que des forets bien affûtés. Pour le BOIS : forets hélicoïdaux, à langue d'aspic, de tarière ou des emporte-pièce; pour le MÉTAL : forets hélicoïdaux en acier de coupe rapide ou des emporte-pièce; pour la MAÇONNERIE (brique, ciment et béton, etc.) : forets au carbure.
3. Veiller à ce que la pièce à percer soit solidement retenue ou fixée en place. Afin d'éviter les avaries aux matériaux minces, les adosser à un bloc de bois épais.
4. Toujours exercer la pression en ligne directe avec le foret. N'user que de la force qu'il faut pour que le foret continue de percer; éviter de trop forcer, ce qui pourrait faire caler le moteur ou dévier le foret.
5. Saisir fermement la perceuse afin de contrer l'effet de torsion de l'outil en marche.
6. **LA PERCEUSE S'ÉTOUFFE** habituellement lorsqu'elle est surchargée ou utilisée de façon inappropriée. **RELÂCHER IMMÉDIATEMENT L'INTERRUPTEUR À DÉTENTE**, retirer le foret du matériau et déterminer la cause du blocage. **ÉVITER DE METTRE EN MARCHE ET HORS CIRCUIT L'OUTIL À L'AIDE DE L'INTERRUPTEUR À DÉTENTE DANS LE BUT DE FAIRE DÉMARRER LA PERCEUSE BLOQUÉE, CELA POURRAIT L'ENDOMMAGER.**
7. Afin de minimiser l'étouffement du moteur ou le défoncement de la pièce, réduire la pression et faire avancer plus doucement le foret vers la fin de sa course.
8. Laisser le moteur en marche lorsqu'on retire le foret d'un trou afin d'éviter que le foret se coince.
9. Il n'est pas nécessaire de pratiquer un creux de guidage avec les perceuses à régulateur de vitesse. Utiliser plutôt la basse vitesse pour commencer le trou, puis accélérer en enfonçant plus profondément l'interrupteur à détente lorsque le foret est suffisamment inséré dans la pièce.

Perçage dans les métaux

Utiliser de l'huile de coupe pour percer dans les métaux, sauf la fonte et le laiton qui se percent à sec. L'huile de coupe la plus efficace est l'huile sulfurisée ou l'huile de lard; la graisse de bacon est parfois suffisante.

Perçage dans le bois

Les forets hélicoïdaux à métal peuvent servir à percer le bois, mais il faut les retirer souvent du trou pour chasser les copeaux et rognures des goujures afin d'éviter qu'ils ne surchauffent. Pour percer de gros trous, utiliser les forets à bois d'une perceuse électrique. Adosser les matériaux friables à un bloc de bois quelconque.

Perçage dans la maçonnerie

Utiliser des forets à maçonnerie aux basses vitesses. Exercer une pression constante, sans forcer afin d'éviter de casser les matériaux friables. Une production uniforme de poussière à débit moyen indique un perçage convenable.

Niveau à bulle

La perceuse est munie d'un niveau à bulle pour s'assurer que les trous percés sont de niveau avec les plans horizontal ou vertical.

Dans le cas des trous percés à l'horizontale, placer la perceuse de sorte que la bulle se trouve entre les repères (comme le montre la figure 3A). À ce moment-là, la perceuse est de niveau avec le plan horizontal.

Pour percer des trous à la verticale, il suffit de placer la perceuse pour que la bulle flotte au centre du verre indicateur, comme l'illustre la figure 3B.

Afin de s'assurer de la précision, mettre un niveau sur la pièce à percer et placer cette dernière de niveau. Puis, aligner la perceuse, qui est de niveau, sur la pièce. (Tous les niveaux n'indiquent que le niveau par rapport au champ de gravitation de la terre.)

NOTE : Le niveau contient de l'huile minérale qui peut causer une légère irritation au contact de la peau. Si le niveau se brise et que l'huile entre en contact avec la peau, bien la rincer avec de l'eau. Si le liquide entre en contact avec les yeux, les rincer à fond avec de l'eau, puis téléphoner immédiatement à un médecin.

Mandrin sans clé

L'outil est muni d'un mandrin sans clé pour plus de commodité. Pour y insérer un foret ou tout autre accessoire, faire ce qui suit.

1. Débrancher l'outil.
2. Saisir la moitié arrière du mandrin d'une main et de l'autre, faire tourner la moitié avant dans le sens antihoraire, comme le montre la figure 4. Faire tourner suffisamment pour faire entrer l'accessoire voulu dans le mandrin.
3. Insérer environ 38 mm (3/4 po) du foret ou de l'accessoire dans le mandrin et bien serrer en tenant la moitié arrière du mandrin et en faisant tourner la moitié avant dans le sens horaire.

Pour dégager l'accessoire, répéter l'étape 2 précédente.

⚠ **AVERTISSEMENT** : Ne pas essayer de serrer les forets (ou tout autre accessoire) en saisissant l'avant du mandrin et en mettant l'outil en marche; cela présente des risques de blessures et de dommages au mandrin.

Retrait du mandrin

Serrer le mandrin autour de la courte extrémité d'une clé à six pans (non fournie) d'au moins 6 mm (1/4 po). À l'aide d'un marteau léger ou d'un morceau de bois, frapper l'extrémité la longue extrémité de la clé dans le sens horaire, de la façon illustrée à la figure 5.

On desserre ainsi le mandrin de façon à pouvoir le retirer à la main.

Installation du mandrin

Visser à fond le mandrin à la main. Visser le mandrin autour de la courte extrémité d'une clé à six pans d'au moins 6 mm (1/4 po) (non fournie) et frapper la longue extrémité de la clé dans le sens horaire à l'aide d'un marteau léger, de la façon illustrée à la figure 6.

Mandrins à clé

Ouvrir les mâchoires du mandrin en tournant la bague à la main et y insérer environ 3/4 po de l'arbre du foret. Resserrer la bague du mandrin à la main. Placer la clé du mandrin dans chacun des trois trous et serrer dans le sens HORAIRE. Il est essentiel de bien serrer les trois trous du mandrin. Pour dégager le foret, il suffit de faire tourner la clé du mandrin dans le sens ANTIHORAIRE dans l'un des trous, puis de desserrer le mandrin à la main. Le personnel d'un centre de service autorisé peut remplacer un mandrin à clé par un mandrin sans clé.

Retrait du mandrin

Placer la clé du mandrin dans l'un des trois trous du mandrin de la façon illustrée à la figure 7. Frapper la clé dans le sens antihoraire (lorsqu'on se place à l'avant de l'outil). On desserre ainsi le mandrin de façon à pouvoir le retirer à la main.

Installation du mandrin

Visser à fond le mandrin à la main. Placer la clé du mandrin dans l'un des trois trous du mandrin et la frapper dans le sens horaire (lorsqu'on se place à l'avant de l'outil), comme le montre la figure 8.

Nettoyage et lubrification

Nettoyer l'outil seulement à l'aide d'un savon doux et d'un linge humide. Ne laisser aucun liquide s'infiltrer dans l'outil et ne jamais immerger l'outil.

L'outil est monté sur des roulements autolubrifiants qui ne requièrent pas de lubrification périodique. Dans le cas peu probable où l'outil nécessiterait de l'entretien, la liste des centres de service se trouve dans l'emballage.

Accessoires

On peut se procurer séparément les accessoires recommandés pour l'outil chez les détaillants ou au centre de service de la région.

LA VITESSE NOMINALE DES ACCESSOIRES DOIT ÊTRE ÉGALE OU SUPÉRIEURE AU RÉGIME DE L'OUTIL (INDIQUÉ SUR LA PLAQUE SIGNALÉTIQUE DE CE DERNIER) AVEC LEQUEL ILS SONT UTILISÉS.

Pour trouver un accessoire, prière de communiquer avec DEWALT Industrial Tool Co., 701 East Joppa Road, Baltimore, MD 21286, É.-U., ou composer sans frais le 1 (800) 4-DEWALT.

⚠ MISE EN GARDE : L'utilisation de tout accessoire non recommandé peut être dangereuse.

Important

Pour assurer la SÉCURITÉ D'EMPLOI et la FIABILITÉ de l'outil, n'en confier la réparation, l'entretien et les rajustements (y compris l'inspection et le remplacement des balais) qu'au personnel d'un centre de service DEWALT ou d'un atelier d'entretien autorisé n'utilisant que des pièces de rechange identiques.

Garantie complète

Les outils industriels de service intensif DEWALT sont garantis pendant un an à partir de la date d'achat. Toute pièce d'un outil DEWALT qui s'avérerait défectueuse en raison d'un vice de matière ou de fabrication sera réparée ou remplacée sans frais. Pour obtenir de plus amples renseignements sur les réparations couvertes par la garantie, composer le 1 (800) 4-DEWALT (! (800) 433-9258). La garantie ne couvre pas les accessoires ni les réparations tentées ou effectuées par des tiers. Les modalités de la présente garantie donnent des droits légaux spécifiques. L'utilisateur peut également se prévaloir d'autres droits selon l'état ou la province qu'il habite.

En outre, la garantie suivante couvre les outils DEWALT.

GARANTIE DE SATISFACTION DE 30 JOURS OU ARGENT REMIS

Si, pour quelque raison que ce soit, l'outil industriel de service intensif DEWALT ne donne pas entière satisfaction, il suffit de le retourner chez le marchand participant dans les 30 jours suivant la date d'achat afin d'obtenir un remboursement complet. Il faut retourner, port payé, l'outil complet. On peut exiger une preuve d'achat.

Reglas generales de seguridad

⚠ ¡ADVERTENCIA! Lea y comprenda todas las instrucciones. No hacerlo puede originar riesgos de choque eléctrico, incendio y lesiones personales de gravedad.

CONSERVE ESTAS INSTRUCCIONES

AREA DE TRABAJO

- **Conserve su área de trabajo limpia y bien iluminada.** Las bancas amontonadas y las zonas oscuras propician los accidentes.
- **No opere herramientas eléctricas en atmósferas explosivas, como en presencia de líquidos, gases o polvos inflamables.** Las herramientas eléctricas producen chispas que pueden originar la ignición de los polvos o los vapores.
- **Conserve a observadores, niños y visitantes alejados mientras opera una herramienta eléctrica.** Las distracciones pueden ocasionar que pierda el control.

SEGURIDAD ELECTRICA

- **Las herramientas con doble aislamiento están equipadas con una clavija polarizada (con una pata más ancha que la otra.) Esta clavija se acoplará únicamente en una toma de corriente polarizada de una manera. Si la clavija no se acopla al contacto, inviértala. Si aún así no se ajusta, comuníquese con un electricista calificado para que le instalen una toma de corriente polarizada apropiada.** El doble aislamiento elimina la necesidad de cables con tres hilos y sistemas de alimentación con conexión a tierra.
- **Evite el contacto corporal con superficies aterrizadas tales como tuberías, radiadores, hornos y refrigeradores.** Hay un gran riesgo de choque eléctrico si su cuerpo hace tierra.
- **No exponga las herramientas eléctricas a la lluvia o a condiciones de mucha humedad.** El agua que se introduce en las herramientas aumenta el riesgo de descargas eléctricas.
- **No maltrate el cable. Nunca tome el cable para transportar una herramienta ni para desconectarla de la toma de corriente. Consérvelo alejado de calor aceite, bordes afilados o piezas móviles. Cambie inmediatamente los cables dañados.** Los cables dañados aumentan el riesgo de choque eléctrico.
- **Cuando opere una herramienta eléctrica a la intemperie, utilice una extensión marcada "W-A" o "W".** Estas extensiones están clasificadas para uso a la intemperie y para reducir el riesgo de choques eléctricos. Cuando utilice una extensión, asegúrese de emplear una con el calibre suficiente para soportar la corriente necesaria para su herramienta. Una extensión con calibre inadecuado causará una caída en el voltaje de la línea resultando en pérdida de potencia y sobrecalentamiento. La tabla siguiente muestra el calibre correcto para usarse, relativo a la longitud de la extensión y el amperaje mencionado en la placa de identificación. Si tiene dudas, utilice el calibre siguiente. Mientras más pequeño sea el número del calibre, mayor será su capacidad.

Volts	Calibre mínimo para cordones de extensión				AWG
	Longitud total del cordón en metros				
120V	0-7,6	7,6-15,2	15,2-30,4	30,4-45,7	
240V	0-15,2	15,2-30,4	30,4-60,9	60,9-91,4	
AMPERAJE					
Más de	No más de	Calibre	del	cordón	
0	-	6	18	16	14
6	-	10	18	16	14
10	-	12	16	16	14
12	-	16	14	12	No recomendado

SEGURIDAD PERSONAL

- **Esté alerta concéntrese en lo que está haciendo. Recorra al sentido común cuando opere una herramienta eléctrica. No opere ninguna herramienta si se encuentra fatigado o bajo la influencia de drogas, alcohol o medicamentos.** Un momento de desatención mientras se operan herramientas eléctricas puede ocasionar lesiones graves.
- **Vístase de manera adecuada. No tenga puestas ropas o artículos de joyería flojos. Cubra su cabello si lo tiene largo. Conserve su cabello, sus ropas y guantes alejados de las piezas móviles.** Las piezas de vestir flojas, las joyas y el cabello largo pueden resultar atrapados por las piezas móviles.
- **Evite el encendido accidental. Asegúrese que el interruptor esté en posición de apagado antes de conectar.** Sostener una herramienta con el dedo en el interruptor o conectarla sin fijarse si el interruptor está en posición de encendido propicia los accidentes.
- **Retire las llaves de ajuste antes de encender la herramienta.** Una llave que se deja en una pieza giratoria puede ocasionar lesiones personales.
- **No se sobreextienda. Conserve siempre los pies bien apoyados, al igual que el equilibrio.** La posición correcta de los pies y el equilibrio permiten controlar mejor la herramienta en situaciones inesperadas.

- **Utilice equipo de seguridad. Siempre utilice protección en los ojos.** Se deben utilizar mascarillas contra polvo, zapatos antiderrapantes, casco o protectores para los oídos para tener las condiciones apropiadas.

USO Y CUIDADOS DE LA HERRAMIENTA

- **Utilice prensas u otros medios prácticos para asegurar y apoyar la pieza de trabajo en una plataforma estable.** Sujetar las piezas con la mano o contra su cuerpo es inestable y puede originar la pérdida de control.
- **No fuerce la herramienta. Emplee la herramienta correcta para su aplicación.** La herramienta correcta hará el trabajo mejor y de manera más segura y bajo las especificaciones para las que fue diseñada.
- **No utilice la herramienta si el interruptor no enciende y apaga.** Cualquier herramienta que no pueda controlarse por medio del interruptores peligrosa y debe reemplazarse.
- **Desconecte la clavija de la toma de corriente antes de hacer cualquier ajuste, cambio de accesorios o de guardar la herramienta.** Tales medidas de seguridad preventivas reducirán el riesgo de que la herramienta se encienda accidentalmente.
- **Guarde las herramientas fuera del alcance de los niños y de otras personas no capacitadas.** Las herramientas son peligrosas en manos de personas no capacitadas.
- **Cuide sus herramientas. Conserve las herramientas de corte afiladas y limpias.** Las herramientas que reciben un mantenimiento adecuado, con piezas de corte afiladas, difícilmente se atascan y son más fáciles de controlar.
- **Verifique la alineación de las piezas móviles, busque fracturas en las piezas y cualesquiera otras condiciones que puedan afectar la operación de las herramientas. Si está dañada, lleve su herramienta a servicio antes de usarla de nuevo.** Muchos accidentes se deben a herramientas con mantenimiento pobre.
- **Solamente use accesorios que el fabricante recomienda para su modelo de herramienta.** Los accesorios que estén diseñados para una herramienta, pueden volverse peligrosos cuando se emplean con otra.

SERVICIO

- **El servicio a las herramientas lo debe efectuar únicamente personal calificado.** El servicio o mantenimiento realizado por personal no calificado puede originar riesgos de lesiones.
- **Cuando efectúe servicio a una herramienta, utilice únicamente refacciones idénticas. Siga las instrucciones de la sección de Mantenimiento de este manual.** El empleo de piezas no autorizadas o no seguir las instrucciones de mantenimiento puede originar riegos de choque eléctrico o lesiones.

Reglas adicionales de seguridad

Conserve los mangos secos, limpios, libres de aceite y grasa. Se recomienda el uso de guantes de goma. Esto le permitirá controlar mejor la herramienta.

- **Tome la herramienta por las superficies aislantes de sujeción cuando realice una operación en que la herramienta de corte pueda hacer contacto con cables ocultos o con su propia extensión.** El contacto con un cable "vivo" hará que las partes metálicas de la herramienta queden "vivas" y descarguen hacia el operador.
- **NO TOQUE NINGUNA PARTE METÁLICA DE LA HERRAMIENTA cuando perfore o atornille en muros, pisos o dondequiera que pueda encontrar cables eléctricos vivos.** Tome la herramienta solamente por las superficies de sujeción aislantes para evitar el choque eléctrico en caso que perfore o atornille un cable eléctrico vivo.

⚠ ADVERTENCIA : Parte del polvo creado al lijar, aserruchar, moler o perforar con máquina, así como al realizar otras actividades de la construcción, contiene sustancias químicas que se sabe producen cáncer, defectos congénitos u otras afecciones reproductivas. Algunos ejemplos de esas sustancias químicas son:

- plomo de pinturas a base de plomo,
- sílice cristalizado de ladrillos y cemento y otros productos de albañilería, y
- arsénico y cromo de la madera químicamente tratada (CCA).

El riesgo al contacto con estas sustancias varía, según la frecuencia en que se haga este tipo de trabajo. Para reducir la exposición a esas sustancias químicas: trabaje en un área bien ventilada, y trabaje con equipos de seguridad aprobados, tales como máscaras contra el polvo especialmente diseñadas para filtrar las partículas microscópicas.

- La etiqueta de su herramienta puede incluir los siguientes símbolos.

Vvolts
Aamperes
Hzhertz
Wwatts
minminutos
~corriente alterna
===corriente directa
n _ovelocidad sin carga
<input type="checkbox"/>construcción Clase II
/minrevoluciones o reciprocaciones por minuto
<input type="checkbox"/>terminales de conexión a tierra
⚠symbole d'avertissement

Interruptores

Oprima el interruptor de gatillo para accionar el taladro; suéltelo para detenerlo. Para dejar fijo el interruptor en la posición de encendido ("ON") a fin de que opere de manera continua, oprímalo y presione el botón de trabado "A" (fig. 1), y suelte a continuación el gatillo interruptor con suavidad. Para liberar el mecanismo de trabado, oprima el gatillo hasta el fondo y suéltelo. Antes de utilizar la herramienta (cada vez) asegúrese que el mecanismo del seguro funciona libremente.

No trabe el interruptor en la posición de encendido ("ON") cuando taladre a mano, de manera que pueda soltarlo si la broca se atasca en el barreno.

El botón de trabado se debe utilizar solamente cuando el taladro se encuentra montado en una prensa o en un banco.

Asegúrese de liberar el botón de trabado antes de desconectar la clavija de la toma de corriente. No hacerlo propiciará que el taladro se encienda en el momento de volver a conectarlo, con el peligro consecuente de daños o lesiones.

EL INTERRUPTOR DE GATILLO DE VELOCIDAD VARIABLE permite controlar la velocidad. Cuanto más a fondo se oprima el gatillo, mas elevada será la velocidad del taladro.

NOTA: Utilice velocidades bajas para perforar sin haber marcado el "punto" de centro, taladrar en metal o plásticos, atornillar y perforar cerámica. Las altas velocidades son mejores para barrenar madera y aglomerados de ésta, y cuando se van a utilizar los accesorios abrasivos y de pulido.

LA PALANCA DE REVERSA se utiliza para sacar las brocas atascadas en barrenos muy apretados y para destornillar. Se encuentra situada por arriba del interruptor de gatillo (fig. 2). Para activar el motor en reversa, suelte PRIMERO el gatillo y, a continuación, mueva la palanca hacia la derecha. Después de haber efectuado una operación en reversa, devuelva la palanca hacia la posición de marcha hacia adelante.

Operación

PARA TALADRAR

1. Desconecte siempre el taladro antes de poner o cambiar brocas o accesorios.
2. Utilice exclusivamente brocas afiladas. Para taladrar MADERA emplee brocas helicoidales, brocas de horquilla o brocas sierra. Para taladrar METAL use brocas helicoidales de alta velocidad o brocas sierra. Para taladrar MAMPOSTERIA, ladrillo, cemento, etc., utilice brocas con punta de carburo de tungsteno.
3. Asegúrese de que el material que va a taladrar este firmemente anclado o afianzado. Si perfora material delgado, aplique al mismo un respaldo de madera para evitar dañarlo.
4. Aplique presión a la broca en línea recta. Haga suficiente presión para que la broca siga perforando, pero no tanta para que el motor se atasque o la broca se desvíe.
5. Sujete la herramienta firmemente para controlar la acción de torsión de la broca.
6. **SI EL TALADRO SE TRABA**, esto se deberá posiblemente a que está sobrecargado o que se está utilizando en forma indebida. **SUELTE EL GATILLO DE INMEDIATO**, retire la broca del barreno y determine la causa del atascamiento. **NO APRIETE EL GATILLO**

PARA HACER PRUEBAS DE ENCENDIDO Y APAGADO, PUES PODRIA DAÑARLO.

- Para reducir el peligro de que se atasque el taladro, reduzca la presión y deje ir suavemente la broca hacia el final del barreno.
- Conserve el motor trabajando al retirar la broca del interior del barreno. De esta manera evitará que se atasque.
- Con los taladros de velocidad variable no hay necesidad de poner un "punto" de centrado para iniciar los barrenos. Utilice velocidad baja para iniciar la perforación, y acelere oprimiendo el gatillo cuando el barreno tenga suficiente profundidad.

Taladrado en metal

Utilice un lubricante para corte cuando perfore metales, excepto en los casos de hierro colado o latón en los que se deberá taladrar en seco. Los lubricantes más adecuados para corte son los de aceite sulfúrico y la manteca de cerdo.

Taladrado en madera

Los barrenos en madera pueden hacerse con las mismas brocas que se utilizan para metal. Para evitar que las brocas se sobrecalienten, deben sacarse frecuentemente del barreno para quitar las virutas acumuladas en las estrías. Para hacer perforaciones más grandes, emplee brocas de poder para madera. El material que podría astillarse debe protegerse con un respaldo de madera.

Taladrado en mampostería

Utilice brocas con punta de carburo de tungsteno a bajas velocidades. Conserve uniforme la presión sobre el taladro, pero no al grado que se despostillen los materiales. La salida continua de volutas de polvo indica que se está aplicando la velocidad apropiada.

Nivel de burbuja

Su taladro viene equipado con un nivel de burbuja, de utilidad para perforar barrenos a nivel. Para el taladrado horizontal mueva su unidad hacia arriba o hacia abajo para que la burbuja, al flotar, vaya desplazándose hacia las líneas paralelas grabadas en el vidrio. El taladro estará nivelado una vez centrada la burbuja entre las líneas, como se ilustra en la figura 3A. Para el taladrado vertical, se debe alinear el taladro de manera que la burbuja flote en el centro del ojo de buey, como se ilustra en la figura 3B.

Para garantizar la precisión, coloque primero un nivel sobre la pieza en la que esté trabajando y nivélela; a continuación, cuando el taladro se encuentre nivelado, lo estarán entre sí éste y la pieza de trabajo. (Los dispositivos de burbuja pueden indicar sólo el nivel de la superficie de la tierra).

NOTA: el nivel contiene aceite mineral, sustancia que podría producir irritaciones menores de la piel al entrar en contacto con ella. Si el nivel se rompiera y se derramara su contenido sobre su piel, lávesela con agua en abundancia. Si le cayera en los ojos, láveselos con agua en abundancia y llame de inmediato al médico.

Portabrocas sin llave

Su herramienta cuenta con un portabrocas sin llave para mayor comodidad. Para insertar una broca u otro accesorio, siga los pasos descritos a continuación.

- Desconecte el taladro.
- Tome la mitad trasera del portabrocas con una mano y utilice su otra mano para girar la mitad delantera en sentido contrario a las manecillas del reloj, como se observa en la figura 4. Gire lo suficiente para que el portabrocas se abra lo necesario para aceptar el accesorio deseado.
- Inserte la broca u otro accesorio aproximadamente 19 mm (3/4") dentro del portabrocas y apriete con firmeza sujetando la mitad trasera del portabrocas y girando la porción frontal en el sentido de las manecillas del reloj.

Para sacar el accesorio, pepita el paso 2 mencionado con anterioridad.

⚠ ADVERTENCIA: No intente apretar las brocas (ni ningún otro accesorio) sujetando la parte frontal del portabrocas y encendiendo la herramienta. Hay riesgos de lesiones personales y daños a la herramienta.

Remoción del portabrocas

Apriete el portabrocas alrededor del extremo más corte de una llave allen (no suministrada) de 1/4" o mayor. De un golpe al extremo más grande con un marro de goma o una pieza de madera en sentido opuesto a las manecillas del reloj, como se observa en la figura 5.

Esto aflojará el portabrocas para poder destornillarlo a mano.

Instalación del portabrocas

Atornille el portabrocas a mano tanto como sea posible. Apriete el portabrocas alrededor del extremo menor de una llave allen de 1/4" (no suministrada). De un golpe al extremo mayor en el sentido de las manecillas del reloj con un marro suave, como se ilustra en la figura 6.

Limpieza y lubricación

Utilice solamente jabón suave y un trapo húmedo para limpiar la herramienta. Nunca permita que lleguen líquidos al interior de la herramienta; nunca sumerja ninguna parte de la unidad en ningún líquido.

Se han empleado baleros autolubrificantes en la fabricación de su herramienta; por tanto no se requiere de relubricación periódica. En el remoto caso de que su unidad requiera servicio, encontrará las direcciones de los Centros de Servicio empacadas con su herramienta.

PARA REPARACION Y SERVICIO DE SUS HERRAMIENTAS ELECTRICAS FAVOR DE DIRIGIRSE AL CENTRO DE SERVICIO MAS CERCANO

CULIACAN	
Av. Nicolas Bravo #1063 Sur	(91 671) 242 10
GAUDALAJARA	
Av. La Paz #1779	(91 3) 826 69 78.
MEXICO	
Eje Lázaro Cárdenas No. 18 Local D, Col. Obrera	588-9377
MERIDA	
Calle 63 #459-A	(91 99) 23 54 90
MONTERREY	
Av. Francisco I. Madero Pte. 1820-A	(91 83) 72 11 25
PUEBLA	
17 Norte #205	(91 22) 46 37 14
QUERETARO	
Av. Madero 139 Pte.	(91 42) 14 16 60
SAN LOUIS POTOSI	
Pedro Moreno #100 Centro	(91 48) 14 25 67
TORREON	
Blvd. Independencia, 96 pte.	(91 17) 16 52 65
VERACRUZ	
Prolongación Diaz Miron #4280	(91 29) 21 70 16
VILLAHERMOSA	
Constitucion 516-A	(91 93) 12 53 17

PARA OTRAS LOCALIDADES LLAME AL: 326 7100

Importante

Para garantizar la SEGURIDAD y la CONFIABILIDAD, deberán hacerse reparaciones, mantenimiento y ajustes de esta herramienta en los centros autorizados de servicio DeWALT u otras organizaciones autorizadas. Estas organizaciones prestan servicio a las herramientas DeWALT y emplean siempre refacciones legítimas DeWALT.

Accesorios

Dispone usted de los accesorios recomendados para su herramienta con cargo adicional con su distribuidor o en su centro de servicio locales. Se incluye una lista completa de los centros de servicio con su herramienta. Si necesita usted ayuda para encontrar algún accesorio para su herramienta, por favor haga contacto con:

DeWALT Industrial Tool Co., 701 East Joppa Road, Baltimore, MD 21286

⚠ PRECAUCIÓN: El empleo de cualquier accesorio no recomendado para esta herramienta puede ser peligroso.

Capacidades máximas recomendadas

CAPACIDAD DEL TALADRO	9,5 mm (3/8")
R.P.M.	0-2500
BROCAS PARA METAL	9,5 mm (3/8")
BROCAS PARA MADERA	25,4 mm (1")
BROCAS PARA MAMPOSTERIA	12,7 mm (1/2")
BROCAS SIERRA	28,5 mm (1-1/8")

EL ACCESORIO DEBE ESTAR CLASIFICADO PARA UTILIZARSE A UNA VELOCIDAD IGUAL O MAYOR QUE LAS R.P.M. SEÑALADAS EN LA PLACA DE IDENTIFICACION DE LA HERRAMIENTA QUE SE ESTE EMPLEANDO.

CEPILLOS DE ALAMBRE	Diámetro máximo 101,6 mm (4")
CEPILLOS DE COPA	Diámetro máximo 76,2 mm (3")
BONETES PARA PULIR	Diámetro máximo 76,2 mm (3")
RESPALDOS DE GOMA	Diámetro máximo 117,4 mm (4-5/8")

Garantía Completa

Las herramientas industriales DeWalt están garantizadas durante un año a partir de la fecha de compra. Repararemos, sin cargos, cualquier falla debida a material o mano de obra defectuosos. Por favor regrese la unidad completa, con el transporte pagado, a cualquier Centro de Servicio para Herramientas Industriales de DeWalt o a las estaciones de servicio autorizado enlistadas bajo "Herramientas Eléctricas" en la Sección Amarilla. Esta garantía no se aplica a los accesorios ni a daños causados por reparaciones efectuadas por terceras personas. Esta garantía le otorga derechos legales específicos, y usted puede tener otros derechos que pueden variar de estado a estado.

En adición a la garantía, las herramientas DEWALT están amparadas por nuestra:

GARANTÍA DE SATISFACCIÓN SIN RIESGO POR 30 DÍAS

Si usted no se encuentra completamente satisfecho con el desempeño de su herramienta industrial DeWalt, sencillamente devuélvala a los vendedores participantes durante los primeros 30 días después de la fecha de compra para que le efectúen un reembolso completo. Por favor regrese la unidad completa, con el transporte pagado. Se puede requerir prueba de compra.

Especificaciones

Tensión de alimentación
Potencia nominal:
Frecuencia de operación:
Consumo de corriente:

(DW100, DW101, DW106)

120 V CA~
644 W
50/60 Hz
3,5 A

IMPORTADO: DeWALT S.A. DE C.V.
BOSQUES DE CIDROS ACCESO RADIATAS NO. 42
COL. BOSQUES DE LAS LOMAS.
05120 MÉXICO, D.F.
TEL. 326-7100

Para servicio y ventas consulte
"HERRAMIENTAS ELECTRICAS"
en la sección amarilla.



Free Manuals Download Website

<http://myh66.com>

<http://usermanuals.us>

<http://www.somanuals.com>

<http://www.4manuals.cc>

<http://www.manual-lib.com>

<http://www.404manual.com>

<http://www.luxmanual.com>

<http://aubethermostatmanual.com>

Golf course search by state

<http://golfingnear.com>

Email search by domain

<http://emailbydomain.com>

Auto manuals search

<http://auto.somanuals.com>

TV manuals search

<http://tv.somanuals.com>